

ISO 9001:2008 by L.R.
PED DIR. 97/23/EC by L.R.
ATEX DIR. 94/9/EC by B.V.
FIRE SAFE EXECUTION by L.R.
ISO 15848 by TÜV
ANTISTATIC DEVICE by L.R.
FIRE SAFE TESTED ISO 10497 by L.R.

WWW.ADLERSPA.COM

TYPE

FT4

PN 10 ÷ 40
ANSI 150 ÷ 300*

**BALL VALVES "3 WAY WAFER" FULL BORE 90°
ROBINETS A BOULE "3 VOIES WAFER"
PASSAGE INTEGRAL 90°
KUGELHÄHNE "3 WEGE KOMPAKTHAHN"
VOLLER DURCHGANG 90°**

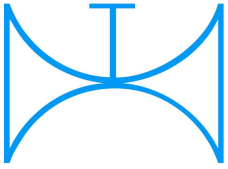
ISO nbr° LRC 0160281 QMS issued by L.R.Q.A. PED nbr° COV 0212112/01 issued by L.R.V.
ATEX nbr° 40.2003.4392 issued by B.V. ISO 15848 nbr° I-148466/1-/2 issued by TÜV



On request
FIRE SAFE
According to ISO 10497
"ISO-FT"

**CONSTRUCTION IN ACCORDING TO:
ANSI B16.34 - BS EN 12516-2**

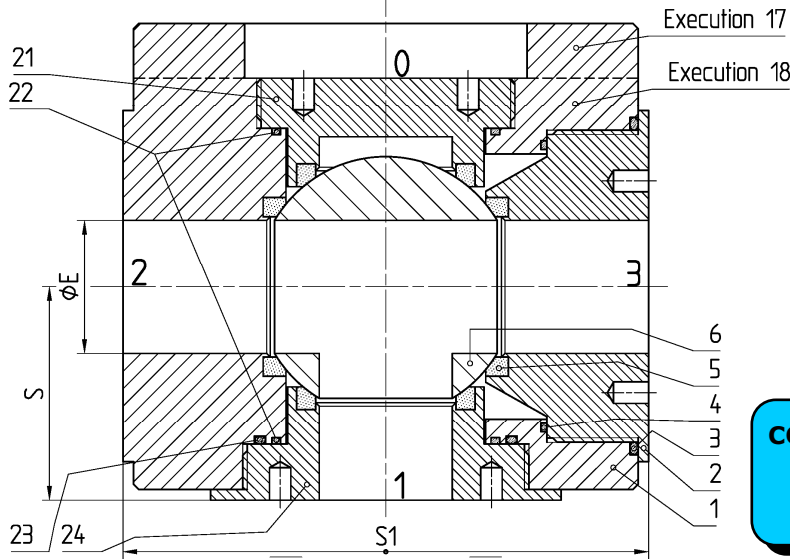
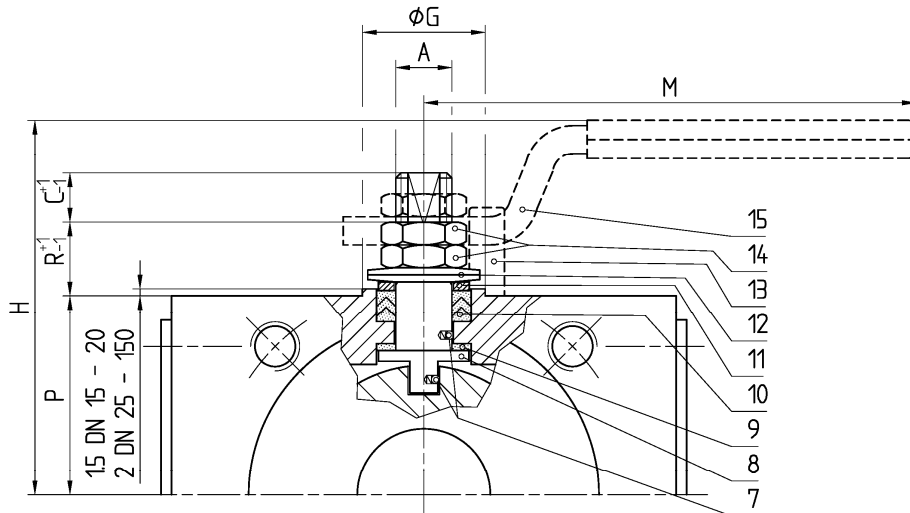




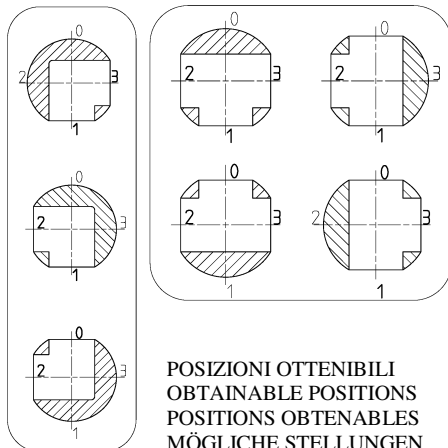
ISO 9001:2008 by L.R.
 PED DIR. 97/23/EC by L.R.
 ATEX DIR. 94/9/EC by B.V.
 FIRE SAFE EXECUTION by L.R.
 ISO 15848 by TÜV
 ANTISTATIC DEVICE by L.R.
 FIRE SAFE TESTED ISO 10497 by L.R.

TYPE
FT4
 PN 10 ÷ 40
 ANSI 150 ÷ 300

VALVOLA A SFERA "3 VIE CORPO PIATTO" PASSAGGIO TOTALE 90°
 BALL VALVES "3 WAY WAFER" FULL BORE 90°
 ROBINETS A BOULE "3 VOIES WAFER" PASSAGE INTEGRAL 90°
 KUGELHÄHNE "3 WEGE KOMPAKTHAHN" VOLLER DURCHGANG 90°

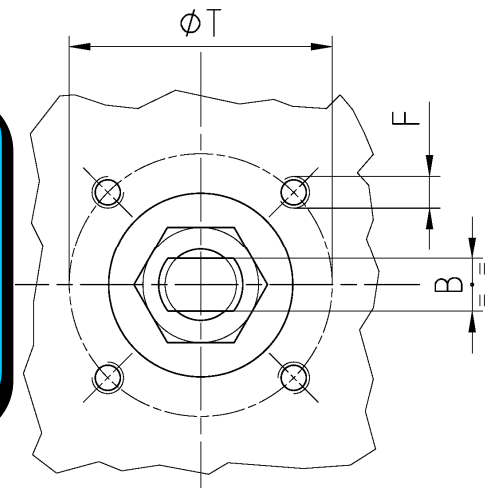


CONSTRUCTION IN ACCORDING TO:
 ANSI B16.34 - BS EN 12516-2



- ACCOPPIAMENTO VALVOLA ATTUATORE
- CONNECTION VALVE ACTUATOR
- ACCOUPLEMENT ROBINET-ACTIONNEUR
- ZUSAMMENBAU KUGELHAHN ANTRIEB

ISO-5211



| N. | DESCRIZIONE DESCRIPTION BESCHREIBUNG | MATERIALI MATERIALS MATERIAUX WERKSTOFFE |
|-----|--|--|
| 1 | CORPO BODY CORPS KÖRPER | ASTM A105 ASTM A 182 F316- A479 S31600 |
| 2 | GHIERA INSERT EMBOUT GEWINDEDRUCKRING | ASTM A105 ASTM A 182 F316- A479 S31600 |
| 3* | O-RING | FKM (VITON) |
| 4* | ANELLO SEAL ANNEAU DICHTUNGSRING | P.T.F.E. |
| 5* | SEDE SEAT SIEGE SITZRING | P.T.F.E. |
| 6 | SFERA BALL BOULE KUGEL | ASTM A182 F304-A479 S30400 ASTM A351 CF8 ≥ DN 40 |
| | | ASTM A182 F316-A479 S31600 ASTM A351 CF8M |
| 7 | DISPOSITIVO ANTISTATICO ANTISTATIC DEVICE CONTACT ANTISTATIQUE ANTISTATIK VORRICHTUNG | ASTM A479 S31600 |
| 8 | STELO STEM TIGE SPINDEL | ASTM A182 F304 A479 S30400 ≥ DN 40 |
| | | ASTM A182 F316 A479 S31600 |
| 9* | BUSSOLA STEM SEAL JOINT TIGE UNTERE SPINDELABDICHTUNG | P.T.F.E. |
| 10* | PACCO A "V" CHEVRON RINGS JOINT A "V" 3 FACHE DACHMANSCHETTE | P.T.F.E. / GRAFITE P.T.F.E. / GRAPHITE P.T.F.E. / GRAPHITE P.T.F.E. / GRAPHIT |

| N. | DESCRIZIONE DESCRIPTION BESCHREIBUNG | MATERIALI MATERIALS MATERIAUX WERKSTOFFE |
|-----|--|--|
| 11 | PREMIBUSSOLA PRESSING BUSH PRESSE RONDELLE STOPFBUCHSDRUCKRING | ASTM A479 S31600 |
| 12 | MOLLE A TAZZA SPRING WASHERS RONDELLES BELLEVILLE TELLERFEDERN | C72/50Cr V ₄ ZINCATO - GALVANIZED ZINGUE - VERZINKT |
| 13 | VITE DI FERMO E FERMO PIN AND STOP PIN PLOT ET PLOT D'ARRET ANSCHLAGBOLZEN | UNI 3740 - 8.8 ZINCATO - GALVANIZED ZINGUE - VERZINKT |
| 14 | DADO - CONTRODADO NUT - LOCK NUT ECROU - CONTRE-ECROU MUTTER - KONTERMUTTER | UNI 3740 - 6S ZINCATO - GALVANIZED ZINGUE - VERZINKT |
| 15 | LEVA WRENCH LEVIER HANDHEBEL | UNI 5946 Fe 37 ZINCATO - GALVANIZED ZINGUE - VERZINKT |
| 21 | GHIERA INSERT EMBOUT GEWINDEDRUCKRING | ASTM A105 ASTM A 182 F316- A479 S31600 |
| 22* | ANELLO SEAL ANNEAU DICHTUNGSRING | P.T.F.E. |
| 23* | O-RING | FKM (VITON) |
| 24 | GHIERA INSERT EMBOUT GEWINDEDRUCKRING | ASTM A105 ASTM A 182 F316- A479 S31600 |

* RICAMBI CONSIGLIATI - RECOMMENDED SPARE PARTS - PIECES DE RECHANGE CONSEILLEES - ERSATZTEIL EMPFEHLUNG

DIMENSIONI - DIMENSION - DIMENSIONS - ABMESSUNGEN

| DN | 10 | 15 | 20 | 25 | 32 | 40 | 50 | 65 | 65 | 80 | 100 | 100 | 125 | 150 | 200 |
|----------------|---------------------------------|------|-----|------|------|------|-----|------|-----|-----|------|-----|-----|-----|-----|
| A | | 10 | 10 | 12 | 12 | 16 | 16 | 22 | 22 | 22 | 30 | 30 | 30 | 42 | |
| B | | 6 | 6 | 8 | 8 | 10 | 10 | 14 | 14 | 14 | 18 | 18 | 18 | 28 | |
| C | | 7 | 7 | 10 | 10 | 15 | 15 | 17 | 17 | 17 | 17 | 17 | 17 | 19 | |
| ØE | | 15 | 19 | 25 | 30 | 38 | 51 | 64 | 64 | 69 | 87 | 87 | 108 | 136 | |
| F | | M5 | M5 | M5 | M5 | M6 | M6 | M8 | M8 | M8 | M10 | M10 | M10 | M12 | |
| ISO | | F03 | F03 | F03 | F03 | F05 | F05 | F07 | F07 | F07 | F10 | F10 | F10 | F12 | |
| G | | 25 | 25 | 25 | 25 | 35 | 35 | 55 | 55 | 55 | 70 | 70 | 70 | 85 | |
| H | | 70 | 75 | 90 | 95 | 112 | 122 | 147 | 147 | 149 | 174 | 174 | 183 | 256 | |
| M | | 145 | 145 | 185 | 185 | 280 | 280 | 370 | 370 | 370 | 470 | 470 | 650 | 750 | |
| P | | 36,6 | 41 | 46 | 51 | 57 | 67 | 85 | 85 | 87 | 99,5 | 107 | 113 | 144 | |
| R | | 8 | 8 | 17 | 17 | 20 | 20 | 23 | 23 | 23 | 26 | 18 | 26 | 34 | |
| S | | 32 | 40 | 41,5 | 52,5 | 56,5 | 62 | 70 | 81 | 87 | 96 | 105 | 116 | 180 | |
| S ₁ | | 97 | 108 | 115 | 140 | 150 | 165 | 185 | 206 | 216 | 230 | 262 | 290 | 370 | |
| T | | 36 | 36 | 36 | 36 | 50 | 50 | 70 | 70 | 70 | 102 | 102 | 102 | 125 | |
| ~Kg | CARBON STEEL STAINLESS STEEL | 4 | 6,5 | 7,5 | 12 | 15,5 | 18 | 25,5 | 35 | 54 | 69 | 90 | 125 | 200 | |
| ~Kg | STAINLESS STEEL | 3,5 | 5,8 | 6,5 | 11 | 14 | 16 | 24 | | | | | | | |

- DATI E CARATTERISTICHE SOGGETTI A VARIAZIONI SENZA PREAVVISO
 - SPECIFICATIONS SUBJECT TO MODIFICATION WITHOUT PRIOR NOTICE
 - TOUS DROITS DE MODIFICATION RESERVES
 - KONSTRUKTIONSÄNDERUNGEN VORBEHALTEN
- ★ ANSI 300 ON REQUEST

PN 10 ÷ 16 - ANSI 150

PN 25 ÷ 40

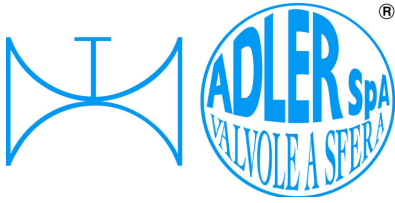
DN 100 ANSI 150 S=100,5 S₁=240

EXECUTION 17

EXECUTION 18



ADLER SpA - VALVOLE A SFERA
20010 S. STEFANO TICINO (MI) ITALY V.le BORLETTI, 14 Tel. +39/02974842.11 FAX +39/0297271698
E-mail: adler@adlerspa.com <http://www.adlerspa.com>



ISO 9001:2008 by L.R.
 PED DIR. 97/23/EC by L.R.
 ATEX DIR. 94/9/EC by B.V.
 FIRE SAFE EXECUTION by L.R.
 ISO 15848 by TÜV
 ANTISTATIC DEVICE by L.R.
 FIRE SAFE TESTED ISO 10497 by L.R.

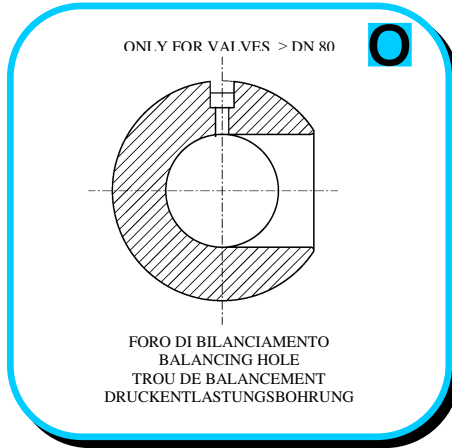
TYPE
FT4
 PN 10 ÷ 40
 ANSI 150 ÷ 300*

VALVOLE A SFERA "3 VIE CORPO PIATTO" PASSAGGIO TOTALE 90° - BALL VALVES "3 WAY WAFER" FULL BORE 90°
 ROBINETS A BOULE "3 VOIES WAFER" PASSAGE INTEGRAL 90° - KUGELHÄHNNE "3 WEGE KOMPAKTHAHN" VOLLER DURCHGANG 90°

▪ ESECUZIONI ▪ EXECUTIONS ▪ EXECUTIONS ▪ AUSFÜHRUNGEN



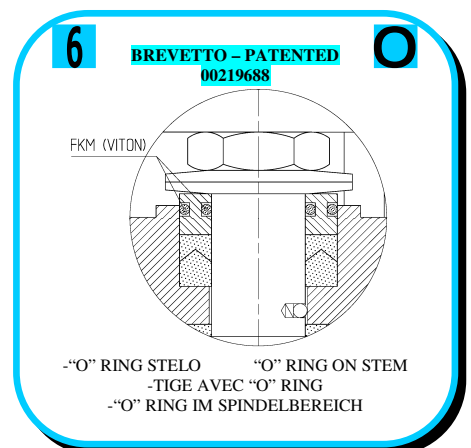
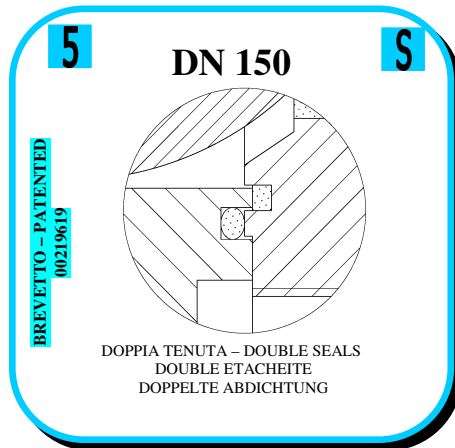
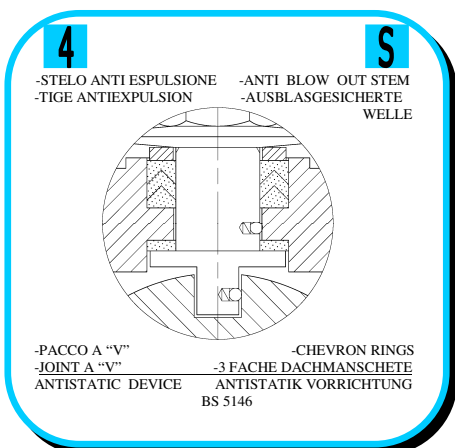
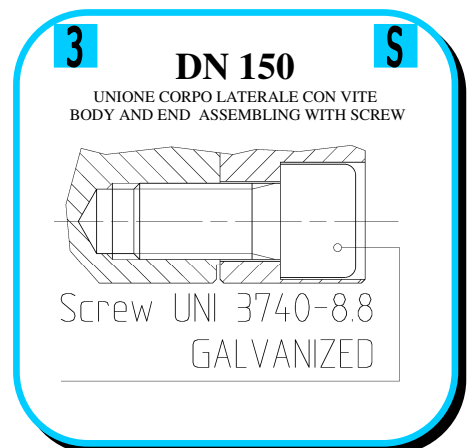
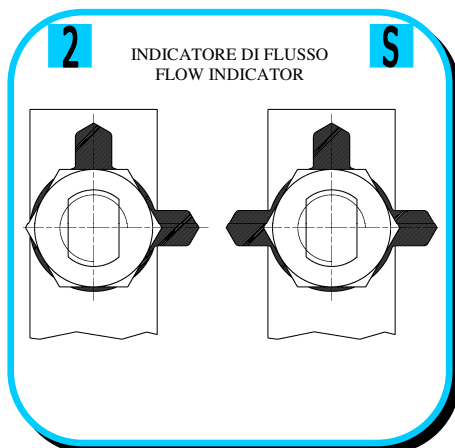
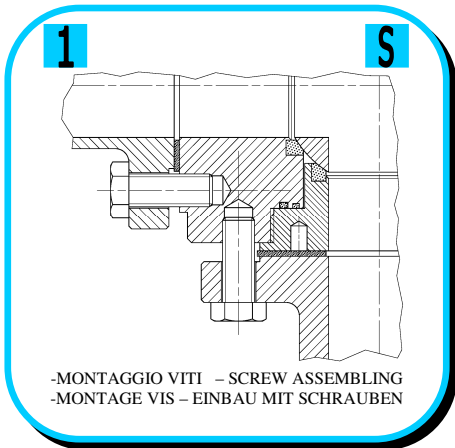
EXECUTION 4 - 12

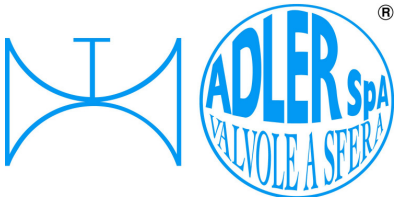


EXECUTION 6 - 16

S STANDARD

O OPTIONAL



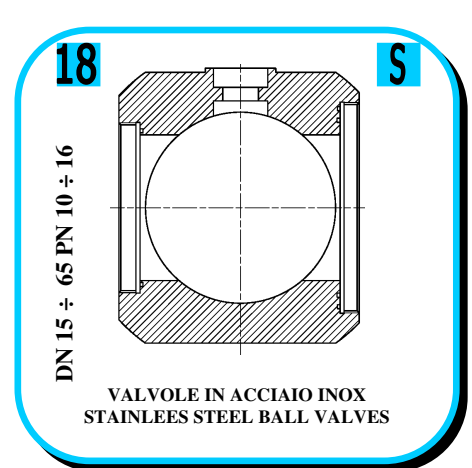
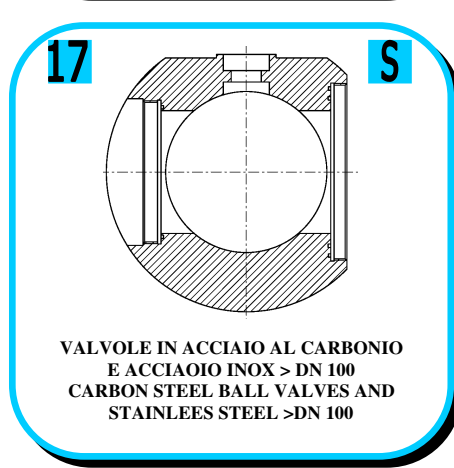
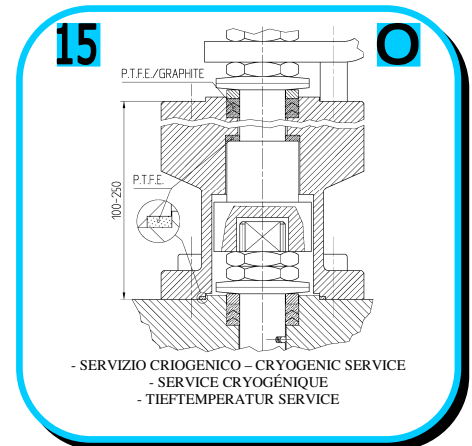
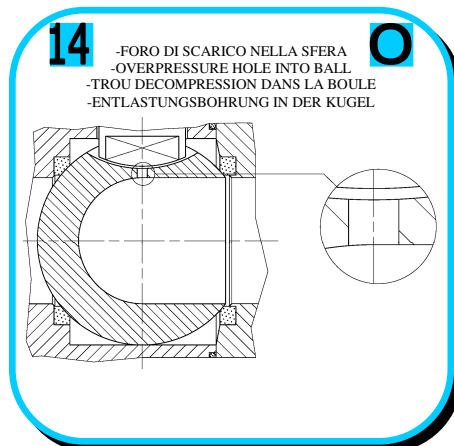
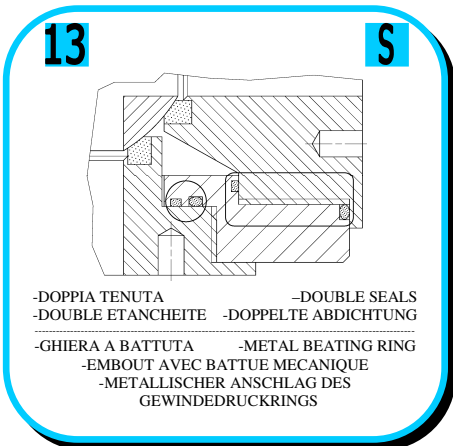
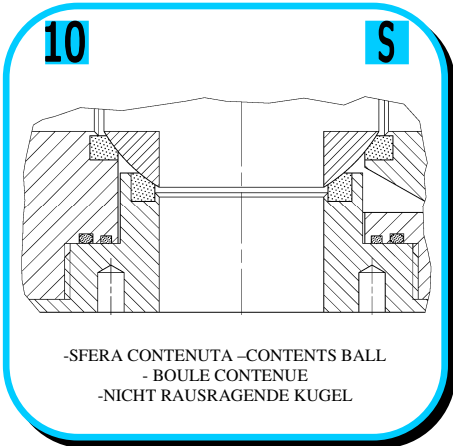
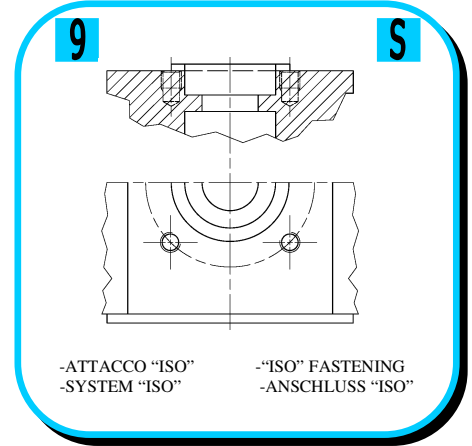
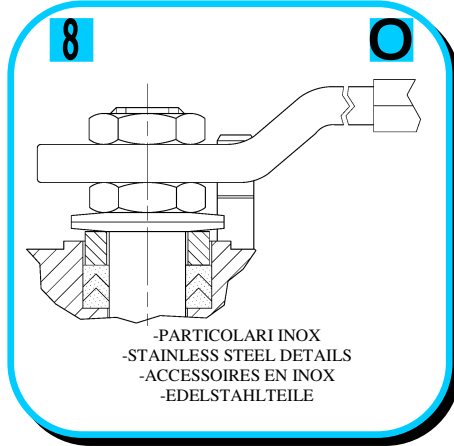
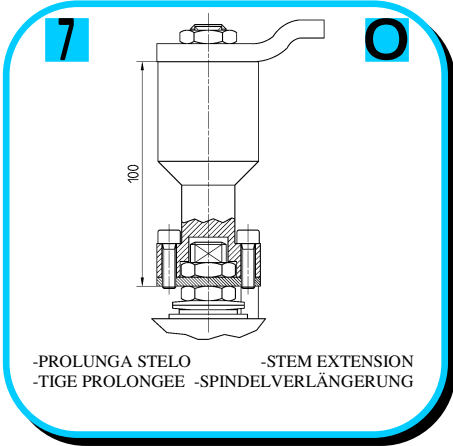


ISO 9001:2008 by L.R.
 PED DIR. 97/23/EC by L.R.
 ATEX DIR. 94/9/EC by B.V.
 FIRE SAFE EXECUTION by L.R.
 ISO 15848 by TÜV
 ANTISTATIC DEVICE by L.R.
 FIRE SAFE TESTED ISO 10497 by L.R.

TYPE
FT4
 PN 10 ÷ 40
 ANSI 150 ÷ 300*

VALVOLE A SFERA "3 VIE CORPO PIATTO" PASSAGGIO TOTALE 90° - BALL VALVES "3 WAY WAFER" FULL BORE 90°
 ROBINETS A BOULE "3 VOIES WAFER" PASSAGE INTEGRAL 90° - KUGELHÄHNE "3 WEGE KOMPAKTHAHN" VOLLER DURCHGANG 90°

• ESECUZIONI • EXECUTIONS • EXECUTIONS • BESCHREIBUNG





**VITI D'ASSEMBLAGGIO PER FT4
ASSEMBLING SCREWS FOR FT4
VIS D'ASSEMBLAGE POUR FT4
MONTAGESCHRAUBEN FÜR FT4**

**TABLE
08**

N° VITI – DIMENSIONE • N° SCREW – DIMENSIONS • N° VIS- DIMENSIONS • N° SCHRAUBEN – ABMESSUNGEN

EUROPEAN NORM

| DN PN | 10-15 | 20 | 25 | 32 | 40 | 50 | 65 | 80 | 100 | 125 | 150 | 200 | 250 |
|----------|------------|------------|------------|------------|------------|------------|------------|--------------|------------|------------|------------|------------|-----|
| 10 | 12 M12 X30 | 12 M12 X30 | 12 M12 X30 | 12 M12 X30 | 12 M16 X35 | 12 M16 X35 | 12 M16 X40 | 12 M16 X40 * | 24 M16 X40 | 24 M16 X40 | 24 M20 X45 | 24 M20 X45 | |
| 16 | 12 M12 X30 | 12 M12 X30 | 12 M12 X30 | 12 M12 X30 | 12 M16 X35 | 12 M16 X35 | 12 M16 X40 | 24 M16 X40 | 24 M16 X40 | 24 M16 X45 | 24 M20 X45 | 36 M20 X50 | |
| 25 | 12 M12 X30 | 12 M12 X35 | 12 M12 X35 | 12 M12 X35 | 12 M16 X40 | 12 M16 X40 | 24 M16 X40 | 24 M16 X45 | 24 M20 X50 | 24 M24 X55 | 24 M24 X55 | 36 M24 X60 | |
| 40 | 12 M12 X30 | 12 M12 X35 | 12 M12 X35 | 12 M12 X35 | 12 M16 X40 | 12 M16 X40 | 24 M16 X40 | 24 M16 X45 | 24 M20 X50 | 24 M24 X55 | 24 M24 X55 | 36 M27 X65 | |

* N° 8 per UNI 2223/2229

ANSI METRIC

(STANDARD ADLER)

| Ø Rating | 1/2" | 3/4" | 1" | 1 1/4" | 1 1/2" | 2" | 2 1/2" | 3" | 4" | 5" | 6" | 8" |
|-------------|------------|------------|------------|------------|------------|------------|------------|------------|------------|------------|------------|------------|
| 150 | 12 M14 X30 | 12 M14 X30 | 12 M14 X30 | 12 M14 X45 | 12 M14 X35 | 12 M16 X40 | 12 M16 X40 | 12 M16 X45 | 24 M16 X45 | 24 M20 X50 | 24 M20 X50 | 24 M20 X50 |
| 300 | 12 M14 X30 | 12 M16 X30 | 12 316 X35 | 12 M16 X40 | 12 M20 X45 | 24 M16 X40 | 24 M20 X50 | 24 M20 X50 | 24 M20 X55 | 24 M20 X60 | 36 M20 X60 | 24 M24 X70 |

ANSI B1.1 UNC

(ON REQUEST)

| Ø Rating | 1/2" | 3/4" | 1" | 1 1/4" | 1 1/2" | 2" | 2 1/2" | 3" | 4" | 5" | 6" | 8" |
|-------------|----------------|----------------|----------------|----------------|----------------|----------------|----------------|----------------|----------------|----------------|----------------|----------------|
| 150 | 12 1/2 X 1 1/4 | 12 1/2 X 1 1/4 | 12 1/2 X 1 1/4 | 12 1/2 X 1 1/4 | 12 1/2 X 1 1/2 | 12 5/8 X 1 1/2 | 12 5/8 X 1 3/4 | 12 5/8 X 1 3/4 | 24 5/8 X 1 3/4 | 24 3/4 X 2 | 24 3/4 X 2 | 24 3/4 X 2 |
| 300 | 12 1/2 X 1 1/4 | 12 5/8 X 1 1/4 | 12 5/8 X 1 1/2 | 12 5/8 X 1 1/2 | 12 3/4 X 1 3/4 | 12 5/8 X 1 3/4 | 24 3/4 X 2 | 24 3/4 X 2 | 24 3/4 X 2 1/4 | 24 3/4 X 2 1/4 | 36 3/4 X 2 1/4 | 23 7/8 X 2 3/4 |



PRZEDSTAWICIEL W POLSCE:

ARA
PNEUMATIK

53-012 Wrocław tel. 71 364 72 85
ul. Wyścigowa 38 fax 71 364 72 83

www.arapneumatik.pl



ADLER SpA – VALVOLE A SFERA
20010 S. STEFANO TICINO (MI) ITALY V.le BORLETTI, 14 Tel. +39/02974842.11 FAX +39/0297271698
E-mail: adler@adlerspa.com <http://www.adlerspa.com>