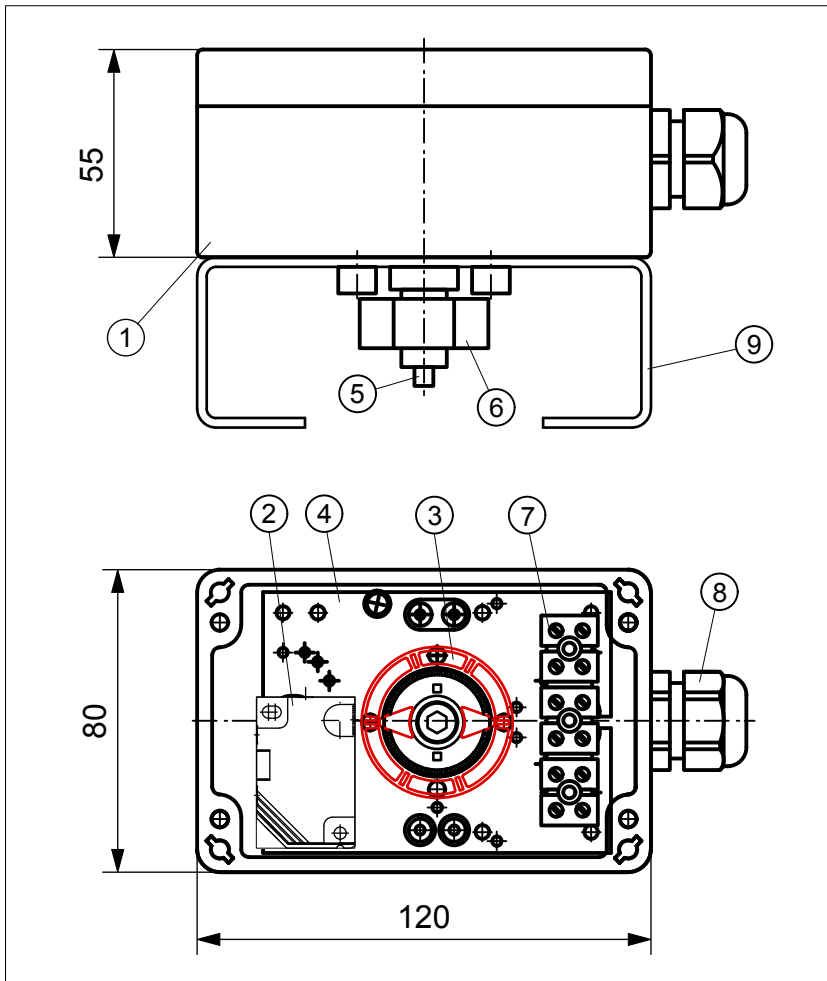




ET-Module IF0073VAZ

ET-Module with two proximity sensors IFM IN0073,
in Vestamid-Housing 120 x 80 x 55 mm



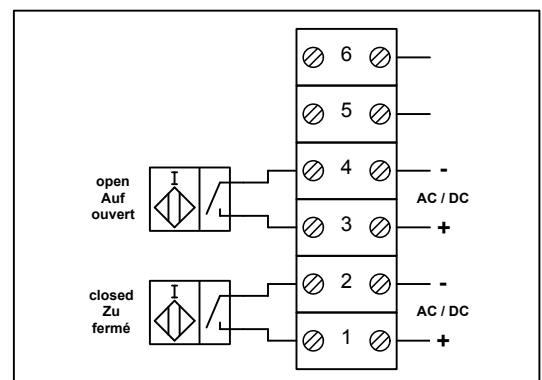
TECHNICAL DATA

Manufacturer: IFM
 Type: IN0073
 NO contact, AC/DC
 Operating distance: 2 mm
 Operating voltage: 20 ... 250 V AC/DC
 Output: reverse polarity protect.
 Switch. frequency: 25 Hz (AC)
 50 Hz (DC)
 Operat. temperature: -25 ... +80° C
 Housing: Vestamid
 Sealing: EPDM
 Ingress protection: IP 67 (Sensor)
 IP 65 (Housing)
 Switch precision: < 1,5°
 System connection: Cable gland M20x1,5
 Clamp. range 6...13 mm

OBJECT LIST

Pos.	Pcs.	Description	Material
1	1	Housing	Vestamid
2	2	Sensor IFM IN0073	-
3	1	Switch cam system	POM + Al
4	1	Mounting plate	-
5	1	Axis proximity sensor	A2
6	1	Position indicator	PE
7	1	Screw clamps, 6-pole	-
8	1	Cable gland M20x1,5	PA
9	1	Bracket size 1 - 4	A2

WIRING DIAGRAM



ARA
PNEUMATIK

53-012 Wrocław tel. 71 364 72 85
ul. Wyciągowa 38 fax 71 364 72 83

www.arapneumatik.pl

