

# Solenoid Valves



## Inline Valves IV

Nominal diameter 3 mm



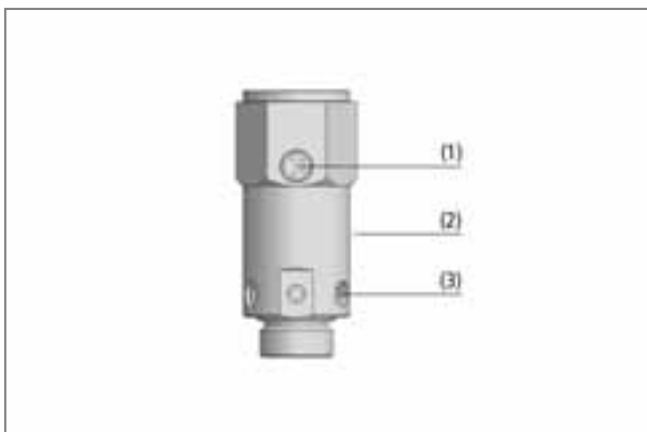
### Suitability for Industry-Specific Applications



Inline valves IV

### Applications

- Inline valve for deactivation of unused suction pads
- Individual control of the suction pads of a "vacuum carpet", e.g. when picking items from stock
- System monitoring in vacuum spiders by active activation and de-activation of suction pads



System design inline valves IV

### Design

- Attachment facility for vacuum sensor
- External body made of aluminum (2)
- Integrated filter (3) for ventilation
- 4-pin M8 connector (1)
- Nominal diameter 3 mm; nominal flow rate 2 m<sup>3</sup>/h



Suction pads with inline valves IV being used for handling car bodywork parts

### Our Highlights...

- Direct mounting in a suction pad
- Compact construction, simple installation
- Integrated filter screen to protect against dirt
- Decentralized vacuum control and system monitoring with a valve and an optional Mini-Sensor

### Your Benefits...

- > Individual control of single suction pads
- > Minimum space requirements; simple installation
- > Increased functional safety
- > Improved process reliability and reduced standstill times of vacuum systems

- Schmalz - The Company
- Vacuum Knowledge
- Vacuum Suction Pads
- Special Grippers
- Mounting Elements
- Vacuum Generators
- Valve Technology**
- Switches and Monitoring
- Filters and Connections
- Vacuum Gripping Systems
- Services
- Contact
- Index of Products



## Inline Valves IV

Nominal diameter 3 mm

### Designation Code Inline Valves IV

Abbreviated designation	Nominal size in mm	Version	Vacuum connection	Suction pad connection	Voltage in V
<b>Example</b> IV 3 3/2 G3/8-IG G3/8-AG 24V-DC:					
IV	3	3/2	G3/8-IG	G3/8-AG	24V-DC
IV	3	3/2 3/2-way valve	G3/8-IG (IG = female (F)) G1/4-IG	G3/8-AG (AG = male (M))	24V-DC

### Ordering Data Inline Valves IV

Inline valve IV is delivered as a ready to connect product (without connection cable).

Available accessories: connection cable, vacuum sensors

### Inline Valves IV

Type	Part Number
IV 3 3/2 G3/8-IG G3/8-AG 24V-DC	10.05.01.00172
IV 3 3/2 G1/4-IG G3/8-AG 24V-DC	10.05.01.00173

### Ordering Data Accessories Inline Valves IV

Type	Connection cable, 5 m, M8 straight	Connection cable, 5 m, M8 90°	Vacuum sensors analogue VS-V SA M5*	Vacuum sensors digital VS-V SD 60 M5*
IV3 G3/8-IG G3/8-AG 24V-DC	10.06.02.00031	10.06.02.00032	10.06.02.00224	10.06.02.00257
IV3 G1/4-IG G3/8-AG 24V-DC	10.06.02.00031	10.06.02.00032	10.06.02.00224	10.06.02.00257

\*See section "Switches and system monitoring" for further details

### Technical Data Inline Valves IV

Type	Nominal size [mm]	Principle of operation	Voltage	Nominal flow rate [m³/h]	Nominal flow rate [l/min]	Power consumption DC [W]	Weight [kg]
IV 3 3/2 G3/8-IG G3/8-AG 24V-DC	3	Normally open	24V - DC	2	33	2.4	0.065
IV 3 3/2 G1/4-IG G3/8-AG 24V-DC	3	Normally open	24V - DC	2	33	2.4	0.065

# Solenoid Valves

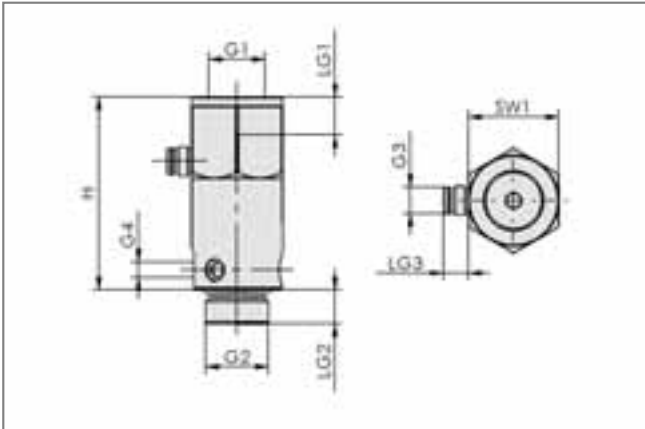


## Inline Valves IV

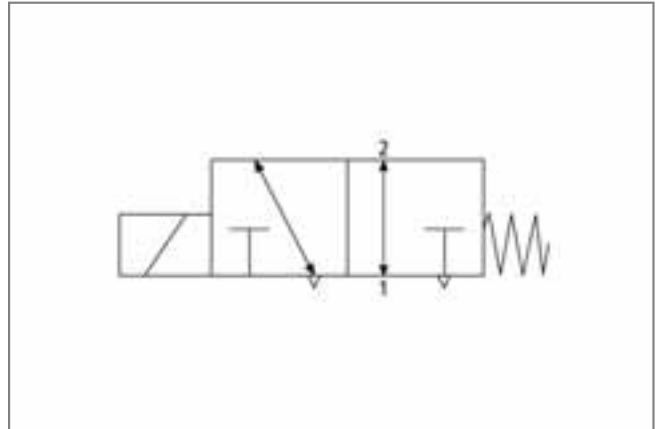
Nominal diameter 3 mm



### Design Data and Functional Circuit Diagramm Inline Valves IV



IV 3



Circuit diagram IV 3 (1 = vacuum generator; 2 = suction pad)

Type	Dimensions in mm									
	G1	G2	G3	G4	H	LG1	LG2	LG3	SW1	
IV 3 3/2 G3/8-IG G3/8-AG 24V-DC	G3/8"-F	G3/8"-M	M8-M	M5-F	51	10	9	6.5	24	
IV 3 3/2 G1/4-IG G3/8-AG 24V-DC	G1/4"-F	G3/8"-M	M8-M	M5-F	51	10	9	6.5	24	

