

aerospace
 climate control
 electromechanical
 filtration
 fluid & gas handling
 hydraulics
pneumatics
 process control
 sealing & shielding



Parker Pneumatic

A complete range of pneumatic system components

Catalogue PDE2600PNUK March 2014



ENGINEERING YOUR SUCCESS.

ARA[®]
 PNEUMATIK

ul. Wyścigowa 38, 53-012 Wrocław
 tel. 71 364 72 82, ara@arapneumatik.pl
www.arapneumatik.pl

Nasza firma posiada Certyfikat dla SZJ wg PN-EN ISO 9001:2009





WARNING

FAILURE OR IMPROPER SELECTION OR IMPROPER USE OF THE PRODUCTS AND/OR SYSTEMS DESCRIBED HEREIN OR RELATED ITEMS CAN CAUSE DEATH, PERSONAL INJURY AND PROPERTY DAMAGE.

This document and other information from Parker Hannifin Corporation, its subsidiaries and authorized distributors provide product and/or system options for further investigation by users having technical expertise. It is important that you analyze all aspects of your application and review the information concerning the product or system in the current product catalog. Due to the variety of operating conditions and applications for these products or systems, the user, through its own analysis and testing, is solely responsible for making the final selection of the products and systems and assuring that all performance, safety and warning requirements of the application are met. The products described herein, including without limitation, product features, specifications, designs, availability and pricing, are subject to change by Parker Hannifin Corporation and its subsidiaries at any time without notice.

SALE CONDITIONS

The items described in this document are available for sale by Parker Hannifin Corporation, its subsidiaries or its authorized distributors. Any sale contract entered into by Parker will be governed by the provisions stated in Parker's standard terms and conditions of sale (copy available upon request).

Parker Hannifin

Parker Hannifin is one of the world's leading suppliers of products and solutions in Motion and Control. Using innovative product development and an acquisition strategy to increase our range of pneumatic products and solutions, we now have one of the broadest product offerings available in the market.

Our range now extends from the compressor to the point at which the air is used. This could be supplying power

take off on a vehicle, moving a cylinder or gripper to milking cows. The design and manufacture of bespoke integrated solutions for air, gas and fluid control is one of our core specialisation.

The Parker network of distributors is the most comprehensive in the world, which means our products are available from specialist pneumatic distributors wherever you are located.

In the following pages are listed the core first choice products from across Parker which are aimed at the pneumatic market. From valves, actuators and air preparation to push in fittings quick connectors and tubing to customized systems. In this catalogue you will find products from Pneumatic Division Europe, Legris, Rectus Tema, Fluidconnectors, KV and Fluid Controls, presenting an unrivalled choice of products and solutions to suit virtually any application.



Linear Actuators	Catalogue No.	Page no.
ISO 15552 Cylinders (Premier) - P1D-S	PDE2570TCUK	30
ISO 15552 Cylinders (Value Line) - P1D-B	PDE2659TCUK	43
ISO 15552 Cylinders (Ultra Clean) - P1D-C	PDE2642TCUK	54
ISO 15552 Cylinders (Pro Clean) - P1D-C	PDE2642TCUK	57
ISO 15552 Cylinders (Tie Rod) - P1D-T	PDE2667TCUK	60
ISO 15552 Cylinders (Extreme Line) - P1D-X	PDE2662TCUK	68
ISO Rod Lock Cylinders - P1D-L	PDE2570TCUK	72
ISO Rod Guidance Modules - P1E	PDE2570TCUK	74
Sensors - P8S-G	PDE2570TCUK	78
Mini ISO 6432 Cylinders - P1A	PDE2564TCUK	81
Aluminium All Round Cylinders - R32-63	Upon Request	89
Stainless Steel Cylinders, ISO 6431 / 6432, Bore 10 - 125mm - P1S	PDE2535TCUK	90
ISO 21287 Compact Cylinders - P1P	PDE2660TCUK	103
Compact Cylinders - P1Q	PDE2663TCUK	120
Short Stroke Cylinders - C05	PDE2560TCUK	126
Compact Guided Cylinders - P5T	PDE2557TCUK	128
Twin Rod Cylinders - RDV / AZV	Upon Request	133
Origa Rodless Cylinders - OSP-P	P-A4P011GB	141
Origa Rodless Cylinders - OSP-L	P-A4P012GB	172
Rodless Magnetic Cylinders - P1Z	P-A4P019E	190
Origa Shock Absorbers - SA	Upon Request	200
Shock Absorbers - MC-SC	PDE2524TCUK	232

Handling Products	Catalogue No.	Page no.
Grippers - P5G	PDE2669TCUK	244
Rotary Actuators - P5RS	PDE2669TCUK	253
Slide Tables - P5SS	PDE2669TCUK	255

Rotary Actuators	Catalogue No.	Page no.
Stainless Steel Air Motors - P1V-S	PDE2554TCUK	266
Robust Air Motors - P1V-M	PDE2539TCUK	271
Large Air Motors - P1V-A & B	PDE2541TCUK	274
Radial Piston Air Motors - P1V-P	PDE2538TCUK	276
Rotary Vane Actuators - PRO / PRN	PDE2502TCUK	284
Rotary Vane Actuators - PV	PDE2648TCUK	286
Rotary Rack and Pinion Actuators - RA	PDE2556TCUK	287
Rotary Rack and Pinion Actuators - VRS / VRA	PDE2655TCUK	289

Specialist Actuators	Catalogue No.	Page no.
Stopper Cylinders - STV / STVR	Upon Request	294
Thrust Cylinders - C0D / C0P	PDE2563TCUK	302
Hydraulic Clamp Cylinders - VB	PDE2636TCUK	305
Hydrochecks - B181	2117-GB	307
Air Bellows - 9109	PDE2576TCUK	308
Air Bellows - SP	Upon Request	310
Origa Electric Linear Actuators - OSP-E	P-A4P017E	313
Origa Electric Linear Actuators - HMR	P-A4P024GB	363

Valves	Catalogue No.	Page no.
Metal Spool Valves - Viking Lite	PDE2658TCUK	377
Metal Spool Valves - Viking Xtreme	PDE2569TCUK	387
Adex Directional Control Valves - A05/A12	PDE2622TCUK	406
Manual & Mechanically Operated Valves - B45/53	PDE2623TCUK	411
Directional Control Valves - VA	PDE2617TCUK	423
Heavy Duty Poppet Valves	PDE2630TCUK	427
DX - ISO 15407-1 ISOMAX	PDE2589TCUK	436
DX - ISO 5599-1 ISOMAX	PDE2589TCUK	438
Isys ISO 15407-1 ISO	PDE2589TCUK	443
Isys ISO 5599-2 ISO	PDE2589TCUK	456
Isys Micro Valves	PDE2597TCUK	467
Moduflex Valve System - P2M	PDE2536TCUK	487
Interface - PS1	PDE2626TCUK	513
Compact Valves - PVL	PDE2628TCUK	516
Isysnet Industrial Communication	PDE2635TCUK	520
Air Saver Unit	Upon Request	544
Logic Processing	PDE2619TCUK	548
Control and Process Duty - PXB	PDE2587TCUK	553
Limit Switches - PXC	PDE2629TCUK	556
Two Hand Control Units - PXP	PDE2627TCUK	558
Microfix Solenoids - P2D	Upon Request	560
Solenoid Operators - 15mm - P2E	Upon Request	561
Solenoid Valves - Lucifer	Upon Request	564
Lucifer EExpress™ Bus Manifold	Upon Request	595
Flat Slide Valves - DRS	Upon Request	597
Pedal Actuated Valves - F	Upon Request	599
Stop Valves - ARKV	Upon Request	601
Valves - K9	Upon Request	603
Directional Control Valves - S9	Upon Request	609
Solenoid Poppet Valves - EV	Upon Request	638

Air Preparation & Airline Accessories	Catalogue No.	Page no.
Parker Global Air Preparation System	0750-UK	644
Lite Series Air Preparation System - P3L	PDE2661TCUK	666
Lite Air Preparation System - P3X	PDE2620TCUK	668
Modular Membrane Dryers - P3X	PDE2640TCUK	674
Air Preparation System - P3Y	PDE2631TCUK	676
Air Preparation System - P3Z	PDE2641TCUK	681
Global Proportional Technology	PDE2611TCUK	684
Proportional Pressure Regulators - P3X	PDE2620TCUK	686
Proportional Pressure Regulators - P3Y	PDE2631TCUK	687
Proportional Pressure Regulators - P3Z	PDE2641TCUK	688
Precision Pressure Regulators - Lucifer	Upon Request	689
Precision Pressure Regulators	PDE2611TCUK	704
Prep-Air II® Miniature FRLs	PDE2591TCUK	706
Stainless Steel FRLs	PDE2504TCUK	708
Compressed Air Filters - P3T	PDE2603TCUK	711
Dry Air System - P3TJ	PDE2602TCUK	719
Pressure Switches	Upon Request	722
AirGuard Protection System	PDE2604TCUK	728
Cylinder Controls	PDE2566TCUK	730
Micrometer & Heavy Duty Inline Flow Control Valves	PDE2566TCUK	735
Shuttle Valve and Quick Exhaust Valves	PDE2566TCUK	736
Exhaust Silencers	PDE2566TCUK	738

Fittings, Tubing and Couplers	Catalogue No.	Page no.
Legris Fittings and Tubing	CAT/0540/UK	743
Prestolok Fittings	PDE2566TCUK	785
Rectus Couplers	CAT3800-PNEU-GB	790

Linear Actuators

ISO 15552 Cylinders - P1D-S



p30

- Available in Ø32 to 125 mm bores
- PUR seals for long service life
- Drop-in sensors
- Corrosion resistant design
- Magnetic piston as standard
- Lubricated with food grade grease

ISO 15552 Cylinders - P1D-B



p43

- Available in Ø32 to 125 mm bores
- PUR seals for long service life
- Drop-in sensors
- Corrosion resistant design
- Magnetic piston as standard
- Lubricated with food grade grease

ISO 15552 Cylinders - P1D-C



p54

- Available in Ø32 to 125 mm bores
- PUR seals for long service life
- Corrosion resistant design
- Lubricated with food grade grease

ISO 15552 Cylinders - P1D-C



p57

- Available in Ø32 to 125 mm bores
- PUR seals for long service life
- Corrosion resistant design
- Lubricated with food grade grease
- Drop-in sensors

ISO 15552 Cylinders - P1D-T



p60

- Available in Ø160 - 320 mm bores
- Stroke lengths 10mm - 2000mm
- Magnetic piston as standard
- Adjustable cushioning as standard
- High temperature versions
- ATEX version
- Special version on request

ISO 15552 Cylinders - P1D-X



p62

- Available in Ø32 - 125 mm bores
- Double acting.
- Stainless steel piston rod.
- Robust and corrosion resistant.
- Adjustable air cushioning.
- Retained stainless steel cushioning screws.
- Wide range of mountings and drop-in sensors

ISO Rod Lock Cylinders - P1D-L



p72

- Available in Ø32 to 125 mm bores
- PUR seals for long service life
- Drop-in sensors
- Corrosion resistant design
- Magnetic piston as standard
- Lubricated with food grade grease

Mini ISO 6432 Cylinders - P1A



p81

- Available in Ø10 to 25 mm bores
- Corrosion resistant design and low weight construction
- Magnetic piston as standard
- End stroke buffers for long service life

Linear Actuators

All Round Cylinders R32-63



p89

- Piston diameters: Ø32, Ø40, Ø50 and Ø63
- Double acting without cushioning
- Double acting with adjustable cushioning
- Pivot mounted on the front and rear cylinder covers
- Contactless position sensing

ISO 6432 Stainless steel - P1S



p90

- Available in Ø10 to 25 mm bores
- Magnetic piston as standard
- Double and single acting
- End stroke buffers for long service life
- Available with adjustable cushioning

ISO 6431 Stainless steel - P1S



p95

- Available in Ø32 to 125 mm bores
- Clean, smooth washdown design
- Magnetic piston as standard
- Adjustable cushioning for long service life
- Complete range of mountings and sensors

ISO 21287 Compact Cylinders - P1P



p103

- Available in Ø20 to 100 mm bores
- Corrosion resistant design and low weight construction
- Magnetic piston as standard

Compact Cylinders - P1Q



p120

- Available in Ø12 to 100 mm bores
- Magnetic or non magnetic options
- Flush fit sensor range
- Buffer cushioning as standard
- Piston wear ring on Ø32 - Ø100mm
- Tapped both ends

Short Stroke Cylinders - C05



p126

- Short stroke cylinders providing high clamping forces
- Compact dimensions for confined spaces
- Single and double acting versions
- Simple installation and mounting

Compact Guided Cylinders - P5T



p128

- Available in Ø16 to 100 mm bores
- Stainless steel guide rods
- Wide range of standard strokes
- Flexible porting as standard
- End stop cushions as standard

Twin Rod Cylinders - RDV / AZ



p133

RDV Series

AZ Series

- Non rotating
- Double acting
- Adjustable cushioning
- Magnetic piston as standard

Linear Actuators

Rodless Cylinders - OSP-P



p141

- Compact: guide rail integrated in the cylinder profile
- Long lifetime and high service intervals
- High loads and moments
- Easy to re-adjust through simple design => easy to maintain
- Integrated scraper system and grease nipples

Rodless Cylinders - OSP-L



p172

- Completely modular design
- Compatible with the comprehensive ORIGA OSP system component range
- High loads and moments
- Space saving
- For a wide range of loads, speeds and motion profiles

Rodless Magnetic Cylinders - P1Z



p190

- Double acting with guide
- Magnetically coupled without mechanical connection
- Mechanical protection in case of occasional overload due to magnetic uncoupling
- Piston chamber and Slide are pressure tight
- Pressure tight and leak free system

Shock Absorbers - SA



p200

- Integral stop collar
- Soft pad
- Rectangular flange
- Foot mounting
- Adjustable without return spring, for use with external air-oil tank

Shock Absorbers - MC-SC



p232

- Compact and heavy duty versions
- High energy absorption
- Low return force
- Long service life
- Increases productivity
- Reduces maintenance

Handling Products

Grippers - P5G



p244

- Available with range of bore sizes Ø10 - 32 mm.
- Highly accurate air driven device for holding work-piece.
- Magnetic as standard
- Stainless steel jaw carriers.
- Reference points on gripping fingers are standard.

Rotary Actuators - P5RS



p253

- Bores Ø16, 20, 25 and 32 mm
- Twin rack and pinion
- Adjustable between 0° and 190°
- Magnetic piston standard
- Stroke adjusters standard
- Available with shock absorbers
- Easy mounting of work piece

Slide Tables - P5SS



p255

- High precision
- Bores Ø6, 8, 12, 16, 20 and 25mm
- Combination of dual bore cylinder and linear rail
- Magnetic piston standard
- Rubber bumper standard
- Stroke adjusters available
- Shock absorbers available

Rotary Actuators

Stainless Steel Air Motors - P1V-S



p266

- Power from 0,02 kW to 1,2 kW
- ATEX CE Ex approved from 0,12 kW to 1,2 kW
- No-lube intermittent operation as standard
- 0,2 kW and 0,3 kW Brakemotors for higher safety

Robust Air Motor - P1V-M



p271

- Power 0,2 kW, 0,4 kW and 0,6 kW
- Patented way for simple change of vanes
- Free speeds from 28 up to 10000 rpm
- Torque from 0,38 Nm up to 380NM by max output power

Large Air Motors - P1V-B



p274

- Designed for use in the most arduous applications
- Considerable power, torque, robustness and reliability

Radial Piston Air Motors - P1V-P



p276

- Compact and versatile
- Magnetic or non magnetic options
- Flush fit sensor range
- Buffer cushioning as standard
- Piston wear ring on Ø32 - Ø100mm
- Tapped both ends as standard

Rotary Actuators - PRO / PRN



p284

- Compact design
- Durable construction
- Long maintenance-free life
- High output torque/weight ratio
- Wide choice of torques available (up to 247 Nm)
- Vane type

Rotary Actuators - PV



p286

- Double acting actuators
- Single or double vane
- Compact smooth design
- Uniform torque in both directions
- Angle adjustment and sensors available.
- Vane type

Rotary Actuators - RA



p287

- 5 unit sizes
- Torque from 20 to 200 Nm
- Turning angles of 90° or 180°
- Keyway output shaft
- Direct Namur valve connection
- Rack and pinion

Rotary Actuators - VRS / VRA



p289

- VRA version (Ø32 to Ø80mm)
- VRA standard version (Ø32 to Ø125mm) for corrosive environments
- Rotation angles of 96°, 186° or 366°
- Optional magnetic version
- Several options are available; rotative angle adjustable stop, male shaft or female shaft (through)
- Rack and pinion

Specialist Actuators

Stopper Cylinders - STV / STVR



p294

- Available with hydraulic Industrial shock absorbers
- Vertical and horizontal versions
- Integrated shock absorber for heavy conveyed loads
- Roller for lower conveyed load weights
- Direct stopping piston rod for heavy conveyed loads

Thrust Cylinders - C0D / C0P



p302

- Thrust cylinders provide large forces
- Compact dimensions
- C0D, diaphragm type
- C0P, piston type
- Available in single and double acting versions

Hydraulic Clamp Cylinders - VB



p305

- Single acting cylinders with built-in hydro-pneumatic intensifier
- Compact size with large clamping forces up to 2700 daN (depending on air pressure)
- Operated using a compressed air supply, no special installation required

Hydrochecks - B181



p307

- Range of imperial sizes
- Gives smooth control feeds
- Strokes up to 450 mm.

Air Bellows - 9109 / SP



p308

- 13 variants, diameters 150 to 420 mm
- Strokes from 45 to 375 mm
- Single, double or triple convolutions
- High thrust and frictionless movement
- Maintenance free

Electric Linear Actuators - OSP-E



p313

- For particularly high requirements regarding loads and forces
- For high-speed applications and highly dynamic motion profiles
- BHD with toothed belt and integrated heavy duty guide: roller guide or re-circulating ball bearing guide

Electric Linear Actuators - HMR



p363

- Three alternative drive technologies in one profile
- Unique flexibility and reliability
- High speed and precision
- Two profile versions, four profile sizes
- Optional IP54 snap-in covers

Valves

Metal Spool Valves - Viking Lite



p377

- 3 sizes: G1/8, G1/4 and G3/8.
- Large flow capacity with short change-over times.
- Low change over pressure.
- Dynamic bi-directional spool seals.
- Do not require lubrication in operation but can also be installed in systems that are lubricated.

Metal Spool Valves - Viking Xtreme



p387

- 4 sizes: G1/8, G1/4, G3/8 and G1/2.
- Compact design with good corrosion resistance.
- Wide range of 5/2 and 5/3 versions.
- High and low temperature versions available for transport applications.

Adex Directional Control Valves



p406

- 2 sizes: M5 and 1/8"
- Compact body with large flow
- Quick response time, faster than 10ms
- Expected life time more than 50,000,000 cycles
- Low power consumption only 0.6W

Midget & Intermediate Spool Valves



p411

- G1/8, G1/4 body ported
- Rugged die cast body
- 3/2, 5/2 & 5/3 configurations
- Stainless steel spool
- Viton body seals as standard
- Integral mounting holes
- Manual, mechanical and automatic actuators.

Directional Control Valves - VA



p423

- Rugged valves for heavy duty applications
- Large and robust actuators for easy operation
- Excellent corrosion resistance
- Integral mounting holes
- Panel mounting versions

Heavy Duty Poppet Valves



p427

- G3/8 & G1/2 body ported
- 2/2 & 3/2 NC spring return as standard
- High flow poppet design
- Manual and mechanical and solenoid actuators
- Light actuation forces
- Integral mounting holes.

DX ISO Valves



p435

- ISO sizes 02, 01, 1, 2 & 3 sub base & manifold mounted valves
- ISO 5599-1 & ISO 15470-1
- Excellent reliability, in excess of 100 million cycles
- Ceramic slide technology operates on Lubricated or non-lube air

Isys Valves



p443

- ISO sizes 02, 01, 1, 2 & 3 sub base mounted valves
- ISO 5599-1, ISO 5599-2, ISO 15470-1 & ISO15470-2
- Stable long lasting performance
- Heavy duty metal bodies
- Wear compensating seal technology

Valves

Isys Micro Valves



p467

- Up to 8 pneumatic functions on a 42mm width metal sub base
- 4 valve modules back to back for compact dimensions
- High performance
- Optimized flow for 6mm tubes
- Side or bottom mounted manifolds available.

Moduflex Valves - P2M



p487

- High flow, compact size.
- Mixable valve sizes.
- Stand alone valves, modular islands with individual, multi connector or bus connections.
- Integrated selectable internal or external pilot supply and exhaust.

Interface - PS1



p513

- High speed poppet valve
- Push-in connection
- Built-in terminal block
- Pneumatic output indicator
- DIN rail mounting

Compact Valves - PVL



p516

- High flow, compact size
- Push-in or threaded connection
- DIN rail or block mounting
- Light weight construction

Isysnet



p520

- A complete field bus communication offering for valve islands
- Extremely fast I/O back plane uses change of state connections to maximise performance
- UL,C-UL and CE certifications

Air Saver Unit



p544

- Large reductions in plant air consumption.
- Savings in plant compressor power consumption.
- Reduction in plant CO₂ emissions.
- Big contribution to energy-saving activities.

Logic Control



p548

- Complete range of logic processing modules
- Stand alone or stackable and combinable units
- Ultra fast response times
- Visual indication
- DIN rail mounting.

Control & Process Duty - PXB



p553

- Facia mounted operators
- 3/2 NO or NC versions
- Pneumatic valves combinable with electrical switches
- Modular construction
- Wide choice of actuators.

Valves

Limit Switches - PXC



p556

- 3/2 Nc spring return as standard
- Ø4mm, M5 & G1/8 ported versions
- Miniature and Compact designs
- Wide choice of actuators include levers, rollers & ultra light whisker types.

Two Hand Control Units - PXP



p558

- Ergonomic design
- Robust polymer or metal enclosure
- Meets requirements for protection against accidental operation and tampering
- Conforms to EN574 and EN954-1 requirements

Microfix Solenoids



p560

- 12 mm solenoids sub-base mounting type
- Instant push-in fittings for inlet (Ø 8 mm) and outlets (Ø 4 mm)
- Brass silencer
- Quick response time
- Multi-functional manual override

Flat Slide Valves - DRS



p597

- Rotary lever
- Rotary switch

Pedal Actuated Valves - F Series



p599

- Pedal actuated
- Connections for 3/2 way version

Stop Valves - ARKV



p601

- Pneumatic 2 way valve
- Poppet valve normally closed
- Mounting - Direct piping

3/2 Way Valves - K9



p603

- Rotary lever, indexed
- Rotary lever, indexed, spring return
- Rotary lever, indexed, secured in two positions
- Pushbutton
- Cam operation
- Toggle cam operation
- Plunger operated
- Cam operated, free cam left or free cam right
- Pivoted lever

Directional Control Valves - S9



p609

- Hand lever
- Pneumatic
- Electrical pilot operated
- Electrical pilot operated with external pilot air
- Panel mounting actuators for mounting diameter to DIN 43696

Vacuum Products

Vacuum Pads



- Flat & Bellow Pads
- Male & Female Connections
- Different Materials
- Range of Diameters

Vacuum Ejectors



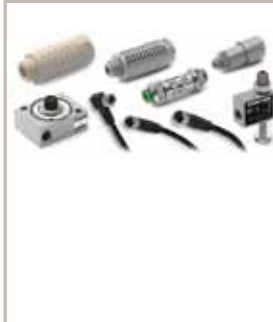
- Basic Ejectors
- Basic Ejectors with electro-mechanical Switch
- In-line Ejectors
- Integrated Ejectors small & large

Vacuum Sensors



- -1 to +10 bar
- Analog and/or Digital Outputs
- With display

Vacuum Accessories



- High performance silencers and vacuum filters
- Electronic cables with M8 connector 4 pin

Air Preparation & Airline Accessories

Global Air Preparation System



p644

- Space saving integral gauge (P31 size only)
- Manifold style regulators available
- OSHA compliant shut-off valves
- Soft-Start & Quick Dump valves
- Electronic Proportional Regulator

Air Preparation System - P3L Lite



p666

- Compact body ported units
- Port size G1/4
- Unique deflector plate ensuring maximum water and particulate removal
- Solid control piston with lip seal for extended life.
- Proportional oil delivery over a wide range of air flows.

Lite Air Preparation Series - P3X



p668

- Integral 1/2 or 3/4 ports
- High efficiency 5 micron element as standard
- Excellent water removal efficiency
- Secondary pressure ranges 8 and 16 bar
- Rolling diaphragm for extended life
- Membrane dryers

Modular Membrane Dryers - P3X



p674

- Removes water vapour & lowers the PDP
- Compact design
- No electrical connections necessary
- Suitable for hazardous environments
- No moving parts
- Maintenance & wear free
- No change in air consumption
- Low pressure drop less than 0.1 bar

Modular FRLs - P3Y Series



p676

- Integral 3/4 or 1" ports (BSPP or NPT)
- High efficiency element as standard
- Excellent water removal efficiency
- Secondary pressure ranges 12 and 16 bar

Heavy Duty FRLs - P3Z Series



p681

- Self relieving feature plus balanced poppet provides quick response and accurate pressure regulation.
- Port flanges G1 1/2" & 2" to a 2" body.
- Proportional oil delivery over a wide range of air flows.

Global Proportional Technology



p684

- Very fast response times
- Accurate output pressure
- Micro parameter settings
- Selectable I/O parameters
- Quick, full flow exhaust
- LED display indicates output pressure
- No air consumption in steady state
- Multiple mounting options
- Protection to IP65

Precision Pressure Regulators



p704

- High repeatability
- High relief capacity on R220 model
- High flow capacity on R230 model

Air Preparation & Airline Accessories

Prep-Air II® Miniature FRLs



p706

- Compact body ported units.
- Port sizes G¹/₈ and G¹/₄.
- Unique deflector plate ensuring maximum water and particulate removal.
- Solid control piston with lip seal for extended life.
- Proportional oil delivery over a wide range of air flows.

Stainless Steel FRLs



p708

- Suitable for Marine & Offshore applications
- Chemical / Petroleum and process industries
- Coalescing filters are designed for removing oil and water aerosols down to 0.01µ
- Suitable for food industry applications

Compressed Air Filters - P3T



p711

- Tested in accordance with ISO 8573.9
- High liquid removal efficiencies at all flow conditions
- Low pressure losses for low operational costs
- Multiple port sizes for a given flow rate provides increased flexibility during installation

Dry Air System - P3TJ



p719

- Designed in accordance with ASME VIII Div.1, approved to CSA/UL/CRN and fully CE Marked (PED, EMC, LVD) as standard.
- Flexible installation utilising the multiple in-line inlet & outlet connection ports.
- Can be Floor, Bench or Wall/Canopy mounted.

Pressure Switches



p722

- Suited for intrinsically safe operation
- Especially compact design
- High switching frequency
- Attractive design
- Shock proof up to 30 g

Moduflex AirGuard Protection



p728

- Maintenance friendly, Repair possible while plant is still operating.
- Reliable and tamperproof, No adjustment necessary.
- Complies with EU current standard
- Complies with the 2009 ISO4414 (5.4.5.11.1)

Cylinder Controls



p730

- "Push-in" or threaded connection
- Multifunction options
- Fit directly to cylinder ports
- Swivelling pilot banjo
- Pneumatic, Electric or Electronic back pressure sensor

Micrometer Flow Control Valves



p735

- Micrometer type adjustment
- Fine control
- Non-return and needle valves

Air Preparation & Airline Accessories

Heavy Duty Inline Control Valves



p735

- Screw driver adjustment
- Rugged bodies
- High flow rate
- High flow by-pass
- Wide range of sizes

Shuttle Valve & Quick Exhaust Valves



p736

- Increases piston speeds, super sensitive diaphragm.
- May be used as differential shuttle valve.
- Allows two separate signals to be applied to the air pilot.
- 0,6 bar differential, Viton seals as standard.
- Aluminium or polymer bodies

Exhaust Silencers



p737

- All plastic ultra light weight versions
- Sintered metal
- All metal versions for heavy duty applications
- Versions with push-in connections
- High noise level reduction
- Low back pressure generation

Restrictors - Silencers



p740

- Metal, stainless steel or plastic versions
- Screwdriver adjustment
- Simple control of cylinder speeds
- High noise level reduction

Reclassifier - Silencers



p741

- Removes oil mist from exhaust airs
- Efficiently silences exhaust air
- Improves working conditions

Parker PFS Division

The design and manufacture of bespoke integrated solutions for air, gas and fluid control are the specialisation of Parker PFS. In general, a high manufacturing ingenuity in circuitry design and system expertise are required for the relevant pneumatic and electro-pneumatic control system products.

Rapid Prototyping / Rapid Manufacturing

Cost and time saving

Parker PFS took its first steps into Advanced Manufacturing Technology in 1999 and since then has been applying the concept of Rapid Prototyping/Manufacturing. Many parts and products have been designed purely by these technologies.

Nowadays, customers are supplied with RP and RM parts for 1 to 1000 off, of the highest quality, using in-house facilities.

From CAD drawing to Rapid Prototyping / Rapid Manufacturing

With the advent of 3D CAD, the improvements in materials and new technologies such as SLS and SLA, the capability to simply translate CAD data into a physical 3D model are a reality.

To supply complex sintered or moulded parts, in metal or plastic, direct from the 3D model, Parker KVD uses the 'material on' rather than a 'material off' process.

Concept models / prototypes allow:

- Solid visualisation of a concept
- Fast & easy communication with clients
- Identification of problems with ergonomics
- Quick design agreement

The Clean Room



At Parker PFS, the Clean Room facilities have a total floor area of 380 square metres (4092 sq.ft.) The Clean Room operates to ISO 14644-1, ISO Class 6 Standard, (FED Standard 209E, Class 1000) over the working areas, and has its own dedicated material handling area and store. It contains over 24 square metres of Laminar Flow Cabinets operating to ISO 14644-1, ISO Class 4 Standard (FED Standard 209E, Class 10). The industries serviced by this Clean Room are numerous and varied, ranging from the Semi-Conductor industry to Medical, to Precision Measurement and Instrumentation.

Anaesthesia and Ventilation



Unique Parker PFS control elements have been used in the enhanced performance of many gas flow management systems for years, in:

- Modern operating theatres
- Intensive or critical care units
- Neonatal ICU Emergency resuscitation is also a very important field in Life Sciences. There is a range of systems available for this application too.

Dental - Air Abrasion Systems



A compact system for the control of gas, fluid and abrasive within this procedure was produced here. With Parker PFS's own in-house rapid prototyping, innovative design can be brought into production within weeks, from foot controls to suction and air polishing systems etc.

Life Science



Pneumatic, electro-pneumatic, fluid system controls and solutions are at the heart of many advanced technologies such as:

- Pharmaceuticals
- Diagnostics
- Medical Devices
- Analytical Instrumentation
- Medical Research Products
- Semiconductor Handling
- Healthcare Systems

PFS Systems

Transportation



Parker PFS has been designing and manufacturing systems and components for the transport industry for over 30 years. They include a range of rodded and rodless actuators providing complete solutions for all door types. All components used are to industry standards relating to temperature range, voltage tolerances and sealing.

Rail - Control Door Systems



The control systems for both external and internal doors meet individual customer specifications. They also satisfy particular requirements regarding:

- Safety
- Operational needs
- Space availability
- Reliability

Rail - Vacuum Toilet System



Sanitary waste is stored within on-board retention tanks and then transferred via vacuum. Space and weight are optimised by integrating the control of air/vacuum and fluids into a single module:

- Modular control systems
- Liquid media control valves
- Air and vacuum control valves
- Waste valves
- Handling detergents as well as water
- Self priming and self cleaning
- Easy fitting and maintenance (incl. simple quick connectors and multi-core plugs)

Commercial - Axle Lift



Parker PFS Axle Lift Systems are designed to meet international legislations, and can provide significant savings through reduced tyre wear and improved operational costs.

Typically, these systems incorporate:

- On board load & position sensing
- Override facility for traction control assistance
- IP67 compliance
- Correct ride height self compensation
- Automatic axle load protection
- Wide temperature and voltage tolerances

Alternative Energy



Parker PFS Division sees the alternative energy market as a key strategic objective due to its global growth and environmental benefits.

New and exciting opportunities can be developed by working closely with customers from the earliest stages of development.

Hydrogen Generation Unit



In the commercial and private vehicle industry the adaption of hydrogen fuel cell technology for hybrid applications has resulted in Parker PFS developing a control system for all the fluid handling in the product.

Within the solution every component has been custom-designed to reduce size, weight and cost without compromising the performance or endurance of the system.

PFS Systems

Integrated Neonatal Ventilator Gas Supply and Mixing Module



This control module is designed to control, mix and blend air and oxygen as part of a Neonatal Ventilator System. Bespoke pneumatic control and solenoid valves and integrated standard components for 'turn-key' control systems were developed.

Material: aluminium filled polyurethane, designed specifically to integrate a large number of circuit components into a single control module. The finished module then becomes a part of a larger ventilator control system. Valves are both surface mounted and embedded as appropriate, using the Parker PFS patented AMT process to incorporate a complex pneumatic circuit, including volumes and a blending chamber.

Cryosurgery



Cryogenic procedures are often used in some of today's most advanced surgery and pain relief. Using the application of extreme cold, destruction of unwanted tissue has become a preferred method of treatment as it leaves minimal scarring and avoids hospitalisation or the need for anaesthesia.

The critical aspects of rapid-freeze and slow-thaw can be precisely monitored and controlled by the specialist modular control systems for liquid gas management within cryoanalgesic instruments that have been developed by Parker PFS.

Agriculture - Automated Cow Milking



Pneumatic systems can be utilized in several areas of agriculture.

This fully automated milking system works with an upper traversing, vertically mounted attachment robot equipped with a double-scanner system comprising a camera and ultrasound sensor. The special software supports the quick attachment to different teat types.

Successful attachment to the livestock is also checked and monitored. When combined with remote animal tagging technology it allows a truly autonomous production process.

Gas / Liquid Chromatography & Mass Spectrometry



Since the early development of analysers, applications such as sequencing of DNA and proteins have been providing worldwide benefits. Developers and providers of innovative life science solutions in the fields of analytical chemistry and medicine are some of Parker PFS's key partners. This means working with low power and precise leak rates on specially selected gases such as nitrogen.

PFS Systems

Tanker Control System



Components and systems, where safety levels are increased through the use of non-electrical air actuation and brake interlocking, are specially designed for use in the Freight Tanker sector by Parker PFS. It is much more economic to use pure pneumatic control solutions instead of explosion protected ones.

The most relevant cases to which this applies are:

- Bottom loading control systems (BVL R)
- Bulk or hose reel delivery selection
- Engine & pump PTO speed control
- By-pass valve control
- Dip tube interlocks
- Guard bar interlocks
- Overfill protection systems
- Guard rail actuation
- Remote hatch loading actuation systems

Power Generation Unit



In remote locations where there is a requirement for autonomous electrical power, the utilisation of fuel cell technology provides a low cost and environmentally friendly solution.

The power generation units utilise alternative fuels that are readily available and the only by-products are electricity and medically pure water. By utilising the extensive product range available in the Parker organization, a solution has been developed to manage all the gas controls within the power generation unit.

Complete Pneumatic Sub-System



This unit is designed to provide the pneumatic functionality required to control the movement of the reticle in a lithographic machine used in the process of manufacturing wafers in a semiconductor fabrication plant.

For further information see: www.parker.com

Fluid Controls

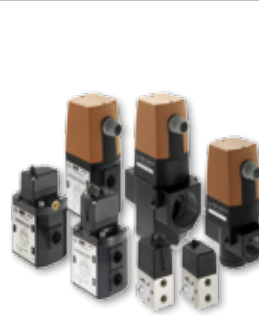
2/2 - Way Shut off Valve for Air



p564

- 1/4" - 2" pipe mount
- Pressure range up to 40 bar
- Normally open and normally closed
- Direct or servo-acting
- Long life expectancy, highest reliability
- Manual override optional
- Excellent response time
- Can be mounted with Lucifer® coil families

Proportional Pressure Regulator



p689

- 1/4" - 2" pipe mount
- Lucifer® Programmable EPP4 all parameters fully adjustable through the PC software calys
- Low power consumption (2.2W), energy savings
- High responsiveness and low hysteresis (0.5%)
- Flexible remote display
- Compact design and light
- Easy to use software

3/2 - Way Valves for Air



p573

- 1/8" - 1/4" pipe mount and flange version
- Pressure range up to 30 bar
- Normally open and normally closed, universal
- Long life expectancy - highest reliability
- Excellent response time repeatability
- Can be mounted with Lucifer® coil families

3/2 - 5/2 NAMUR Valves



p574

- 1/4" - 1/2" NAMUR interface
- Patented NAMUR conversion plate
- Highflow Qn: 3000 L/min
- Solenoid or pneumatic version
- High resistance aluminium
- ATEX zone 22 certified products
- Fast switching application

EExPress Bus Manifold for ATEX



p595

- EExPress™ is a stackable system that includes Gateway, Input sensor modules and 5/2 way Solenoid valve modules
- EExPress™ uses the well known Profibus DP protocol
- IP65 - no cabinet needed
- Zone 1, 2, 21 and 22 protection
- It has been designed to approach a "plug and play" usage

Standard, ATEX and IECEx Coils



p587

- Modular concept for dedicated valves
- D / B Terminal Standard
- Various AC / DC voltages
- Various IP65-IP67, 100% ED
- Meet latest international & national codes
- ATEX zone 0, 1, 2, 20, 21, 22 protected ia, ib, dm, d, e, m, me, n

Fluid Controls

Solenoid Valves for Fluid Control Applications



Fluid control products have been designed to offer customers the ultimate in performance. Every valve is engineered for optimal operation, is constructed with modern machinery that use stringent processes, and provides standard features not necessarily offered in any competitive line. The Fluid Control Series portfolio offers a broad range of 2/2, 3/2 and 5/2 solenoid valves. Sizes range from 1/8" to 3", with Kv as high as 1385 L/min. Pressure capabilities range up to 200 bar; the whole range is available with various seal materials, such as NBR, FKM, EPDM, PTFE, PCTFE, PUR and Ruby. Brass, Aluminium, Stainless steel and Plastic Valves are available to control a wide variety of air, neutral gases and liquids, water, oils, process fluids and steam.

For further information see: www.parker.com/fcde

CONNECTIC Solutions for Compressed Air

Legris LF3000 Push-in Fittings



p743

- Brass / polymer fittings for standard applications.
- Instant connection/disconnection.
- Full flow, automatic sealing.
- Vacuum capability.
- Compact & aesthetic, lightweight.
- Very extensive range.
- -20°C to 80°C, maximum 20 bar (depending on fitting type and OD).

Legris Tubing



p768

- Standard tubing made of PA, PU, FEP 140, and PE.
- PA and PU hoses in 7 colours.
- Multi, twin and spiral; anti-spark, anti-static.
- 25 or 100 m rolls in Tubepack® box.
- Large pack on drum.
- Hoses made of braided PVC.
- Self-fastening hoses.

Legris LF3600 Push-in Fittings



p759

- Nickel-plated brass instant fittings for demanding applications.
- For air and fluid transportation.
- FDA, 1935/2004/CE.
- -20°C to 150°C at 30 bars.
- Wide range.
- Compact & robust design.

Legris Universal Compression Fittings



p758

- Brass or stainless steel (316L).
- Withstand high temperatures and pressures (max. 80 bars, 250°C).
- Resistant to aggressive and corrosive environments.
- A large range for many applications.
- Many accessories.

Legris LF3900/3800 Push-in Fittings



p765

- Stainless steel 316L fittings for severe conditions.
- Hygienic design.
- Extreme chemical and mechanical resistance.
- Fittings suitable for permanent food contact (FKM seals in accordance with FDA and 1935/2004/CE directives).
- Wide range: 21 shapes, diameters 4 to 12 mm.

Legris Ball Valves / Axial Valves



p782

- Nickel-plated brass.
- Optimum sealing & excellent resistance.
- -20°C to 80°C, 20 to 40 bar (depending on the model).

Legris Function Fittings



p751

- Flow control regulators, blocking fittings, mini-ball valves, non-return valves, silencers...
- Used on pneumatic devices in many industrial applications: factory automation, packaging, multi-purpose robots, material handling, textile, printing, auto process, machine tools.
- 0°C to 70°C, from 1 to 10 bars (depending on fitting type).

Safety Couplers / Blowguns / Accessories



p780

Couplers:

- Comply with ISO 4414 and EN983 safety standards 0 - 16 bar, -20°C to 60°C.

Blowguns:

- Two connection points. Comply with OSHA and EU regulation for safe use. Up to 10 bar, -15°C to +60°C.

Accessories:

- Full nickel-plated range.

Quick connect couplings

Industrial Interchange couplings



p790

- Single handed operation
- Nominal diameter 5 to 11 mm
- Conforms to various profiles (European standard, MIL, etc.)
- Working pressure up to 35 bar
- Low pressure drop
- Temp. range -40°C up to 200°C
- Choice of material: steel/brass/stainless steel/thermoplastics
- Variety of different threads available on request

Safety couplings



p802

- Operated with two hands
- Conforms to ISO 4414
- Increased safety in the work place
- Working pressure up to 12 bar
- Low pressure drop
- Temp. range -40°C up to 80°C
- The design allows disconnection without rebound

For further information see: www.rectus.de



Linear Actuators

P1D Pneumatic Cylinders

According to ISO 15552

The innovative P1D, a **future-proof** generation of **ISO** cylinders.



P1D ISO Cylinder family

The P1D series is a future-proof generation of ISO cylinders. P1D complies with the current ISO 15552 previous standard ISO 6431, VDMA 24562 installation dimension standards.

The cylinders are double-acting, magnetic as standard for use with sensors and feature a new design of air cushioning. Available in Ø32mm – Ø125mm bore size the full P1D range includes:-

P1D-S series. This series is the ultimate in ISO pneumatic cylinders and is suitable for virtually any application. Options include the tie rod design, smooth profile, ultra clean cylinders for use in the food industry and all the variants including through rod and piston rod locking versions.

P1D-B series. This series features a profile design and is the basic ISO cylinder for simple applications where no special options are required. This series is suitable for general industrial applications

All mounting and sensor options are common to all P1D cylinders.



Design Variants

P1D-S Standard Cylinders

The P1D-S series is the premier in ISO pneumatic cylinders. With various piston rod materials, seal options and supported by a full range of ISO mountings the P1D-S series is suitable for a wide range of applications.



P1D-B Basic Cylinders

The P1D-B series features a profile design and is the value line ISO cylinder for basic applications where no special options are required. This series is suitable for general industrial applications and is supported by a full range of ISO mountings.



P1D-C Ultra Clean Cylinders

This series offers an ultra clean external design of cylinders that are suitable for applications that require a clean profile. With particular design features for the food and packaging industries this product can also be used for applications on vehicles, in sawmills and bag-filling industries where a clean design is important.



P1D-C Pro Clean Cylinders

This series of clean design cylinders offers two T slots within one face of the tube allowing the possibility to add sensors. The position of the T slots can be specified on any single face using the order code key. These cylinders have a clean design but are intended for applications where sensors are required.



P1D-T Large Bore Cylinders

The P1D-T range of tie rod cylinders is intended for use in a wide range of applications. Careful design and high quality manufacture throughout ensure long service life and optimum economy. Mounting dimensions fully in accordance with ISO 15552 (ISO 6431 and CETOP RP52P) greatly simplifies installation and world-wide interchangeability.



P1D-X High and Low Temperature Cylinders

For extreme conditions these cylinders for high and low temperatures have materials and sealing systems specially designed for their particular temperature ranges. End covers and pistons are made entirely from metal, to give optimum function at **high** or **low** temperature in combination with seals made from specially tested materials and special grease.



P1D-L Rod Locking Cylinders

P1D-L is a series of extremely compact rod lock cylinders for demanding applications. This version allows the piston rod to be locked in any position but can also be used as a brake (limits apply) thanks to the rigid design. With helical grooves on the precision clamping sleeves the locking function allows for applications where the piston rod is exposed to liquids and contamination.



Design Variants

P1D-T Tie Rod Cylinders

The P1D is available in a tie-rod version, based on the same high level technology. This future-proof cylinder is the perfect choice wherever a tie-rod cylinder is needed. The P1D Tie-Rod uses “drop-in” P1D sensors. An ingenious multi-jointed adapter fixes the sensors in any chosen position along the stroke.



Through Piston Rod Cylinders

All P1D cylinders in all bores, Ø32-125 mm, are available with a through rod. Cylinders with a through rod can take higher side forces thanks to the double support for the piston rod. In addition, this design makes it easier to install external position sensors.



P1D-T 3 and 4 Position Cylinders

By installing two cylinders with the same or different stroke, it is possible to build a working unit with three or four positions. This type of unit is available as factory-fitted P1D tie-rod cylinders (P1D-T) in all bores, Ø32-125 mm. Other P1D cylinders can be flange mounted back-to-back with a standard mounting



P1D-T Tandem Cylinders

The P1D is also available as a tandem cylinder, i.e. two cylinders connected in series. This cylinder unit has almost twice the force, which is a great advantage in restricted spaces. Tandem cylinders are available as tie-rod cylinders, P1D-T, in all bores Ø32-125 mm.



P1D-V with valve built on

P1D Standard can be ordered with a factory-fitted valve and piping. The valve is the robust and compact Viking series, with product code P2L-A (for cylinder bores 32-63), P2L-B (for cylinder bores 80-100) and P2L-D (for cylinder bore 125).



Alternative Piston Rod Materials

All P1D cylinders in all bores, Ø32-125 mm, can be ordered with the following piston rod materials:

- Steel, hard chromed
- Stainless steel, roller polished (standard)
- Acid-proof steel, roller polished
- Stainless steel, hard chromed



Operation with Dry Piston Rod

In many applications, primarily in the food industry, the cylinders are cleaned frequently. This means that the film of grease on the piston rod is washed off, which puts special demands on the materials and the design of the piston rod seal system (scraper ring and piston rod seal). A piston rod seal system specially designed for dry rod operation is available as an option for this type of application, for all bores of P1D cylinders. The system has a specially designed L-shaped seal and the material is self-lubricating, high molecular weight plastics (HDPE).



P1D-S Standard Cylinders

The P1D-S series is the premier in ISO pneumatic cylinders. With various piston rod materials, seal options and supported by a full range of ISO mountings the P1D-S series is suitable for a wide range of applications.

- Available in 32 to 125 mm bores
- PUR seals for long service life
- Drop-in sensors
- Corrosion resistant design
- Magnetic piston as standard
- Lubricated with food grade grease



Operating information

Working pressure:	Max 10 bar
Seals / Temperature options	
Standard:	-20°C to +80°C
Cylinders for low pressure hydraulic operation:	Ø32-125mm
ATEX approval:	CE Ex IIGD c T4 120°C

For more information see www.parker.com/euro_pneumatic

P1D Standard - Double acting

Ø32mm - (G¹/₈)

Stroke mm	Order code
25	P1D-S032MS-0025
40	P1D-S032MS-0040
50	P1D-S032MS-0050
80	P1D-S032MS-0080
100	P1D-S032MS-0100
125	P1D-S032MS-0125
160	P1D-S032MS-0160
200	P1D-S032MS-0200
250	P1D-S032MS-0250
320	P1D-S032MS-0320
400	P1D-S032MS-0400
500	P1D-S032MS-0500

Ø40mm - (G¹/₄)

Stroke mm	Order code
25	P1D-S040MS-0025
40	P1D-S040MS-0040
50	P1D-S040MS-0050
80	P1D-S040MS-0080
100	P1D-S040MS-0100
125	P1D-S040MS-0125
160	P1D-S040MS-0160
200	P1D-S040MS-0200
250	P1D-S040MS-0250
320	P1D-S040MS-0320
400	P1D-S040MS-0400
500	P1D-S040MS-0500

Ø50mm - (G¹/₄)

Stroke mm	Order code
25	P1D-S050MS-0025
40	P1D-S050MS-0040
50	P1D-S050MS-0050
80	P1D-S050MS-0080
100	P1D-S050MS-0100
125	P1D-S050MS-0125
160	P1D-S050MS-0160
200	P1D-S050MS-0200
250	P1D-S050MS-0250
320	P1D-S050MS-0320
400	P1D-S050MS-0400
500	P1D-S050MS-0500

Ø63mm - (G³/₈)

Stroke mm	Order code
25	P1D-S063MS-0025
40	P1D-S063MS-0040
50	P1D-S063MS-0050
80	P1D-S063MS-0080
100	P1D-S063MS-0100
125	P1D-S063MS-0125
160	P1D-S063MS-0160
200	P1D-S063MS-0200
250	P1D-S063MS-0250
320	P1D-S063MS-0320
400	P1D-S063MS-0400
500	P1D-S063MS-0500

Ø80mm - (G³/₈)

Stroke mm	Order code
25	P1D-S080MS-0025
40	P1D-S080MS-0040
50	P1D-S080MS-0050
80	P1D-S080MS-0080
100	P1D-S080MS-0100
125	P1D-S080MS-0125
160	P1D-S080MS-0160
200	P1D-S080MS-0200
250	P1D-S080MS-0250
320	P1D-S080MS-0320
400	P1D-S080MS-0400
500	P1D-S080MS-0500

Ø100mm - (G¹/₂)

Stroke mm	Order code
25	P1D-S100MS-0025
40	P1D-S100MS-0040
50	P1D-S100MS-0050
80	P1D-S100MS-0080
100	P1D-S100MS-0100
125	P1D-S100MS-0125
160	P1D-S100MS-0160
200	P1D-S100MS-0200
250	P1D-S100MS-0250
320	P1D-S100MS-0320
400	P1D-S100MS-0400
500	P1D-S100MS-0500

Ø125mm - (G¹/₂)

Stroke mm	Order code
25	P1D-S125MS-0025
40	P1D-S125MS-0040
50	P1D-S125MS-0050
80	P1D-S125MS-0080
100	P1D-S125MS-0100
125	P1D-S125MS-0125
160	P1D-S125MS-0160
200	P1D-S125MS-0200
250	P1D-S125MS-0250
320	P1D-S125MS-0320
400	P1D-S125MS-0400
500	P1D-S125MS-0500

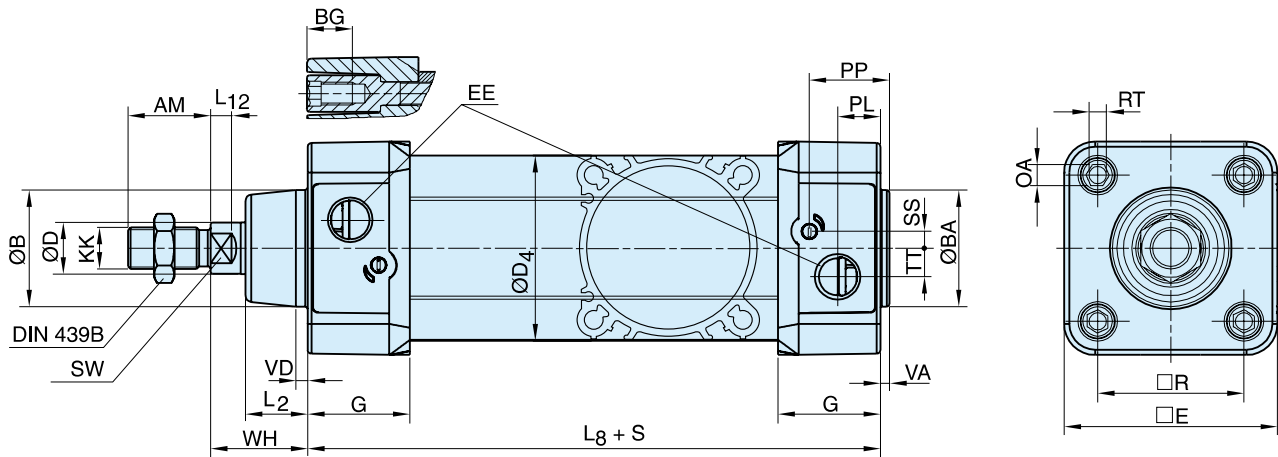
The cylinders are supplied complete with a zinc plated steel piston rod nut.

Sensors



For sensors see page 78.

P1D-S Series dimensions



Dimensions

Cylinder bore mm	AM mm	B mm	BA mm	BG mm	D mm	D4 mm	E mm	EE mm	G mm	KK	L2 mm	L8 mm	L12 mm
32	22	30	30	16	12	45,0	50,0	G1/8	28,5	M10x1,25	16,0	94	6,0
40	24	35	35	16	16	52,0	57,4	G1/4	33,0	M12x1,25	19,0	105	6,5
50	32	40	40	16	20	60,7	69,4	G1/4	33,5	M16x1,5	24,0	106	8,0
63	32	45	45	16	20	71,5	82,4	G3/8	39,5	M16x1,5	24,0	121	8,0
80	40	45	45	17	25	86,7	99,4	G3/8	39,5	M20x1,5	30,0	128	10,0
100	40	55	55	17	25	106,7	116,0	G1/2	44,5	M20x1,5	32,4	138	14,0
125	54	60	60	20	32	134,0	139,0	G1/2	51,0	M27x2	45,0	160	18,0

Cylinder bore mm	OA mm	PL mm	PP mm	R mm	RT	SS mm	SW mm	TT mm	VA mm	VD mm	WH mm
32	6,0	13,0	21,8	32,5	M6	4,0	10	4,5	3,5	4,5	26
40	6,0	14,0	21,9	38,0	M6	8,0	13	5,5	3,5	4,5	30
50	8,0	14,0	23,0	46,5	M8	4,0	17	7,5	3,5	5,0	37
63	8,0	16,4	27,4	56,5	M8	6,5	17	11,0	3,5	5,0	37
80	6,0	16,0	30,5	72,0	M10	0	22	15,0	3,5	4,0	46
100	6,0	18,0	35,8	89,0	M10	0	22	20,0	3,5	4,0	51
125	8,0	28,0	40,5	110,0	M12	0	27	17,5	5,5	6,0	65

S=Stroke

Tolerances

Cylinder bore mm	B	BA	L ₃ mm	L ₉ mm	R mm	Stroke tolerance up to stroke 500 mm	Stroke tolerance for stroke over 500 mm
32	d11	d11	±0,4	±2	±0,5	+0,3/+2,0	+0,3/+3,0
40	d11	d11	±0,7	±2	±0,5	+0,3/+2,0	+0,3/+3,0
50	d11	d11	±0,7	±2	±0,6	+0,3/+2,0	+0,3/+3,0
63	d11	d11	±0,8	±2	±0,7	+0,3/+2,0	+0,3/+3,0
80	d11	d11	±0,8	±3	±0,7	+0,3/+2,0	+0,3/+3,0
100	d11	d11	±1,0	±3	±0,7	+0,3/+2,0	+0,3/+3,0
125	d11	d11	±1,0	±3	±1,1	+0,3/+2,0	+0,3/+3,0

Cylinder mountings

Flange MF1/MF2



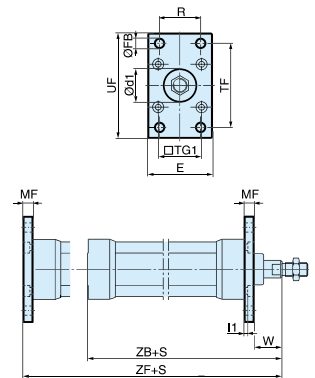
Intended for fixed mounting of cylinder. Flange can be fitted to front or rear end cover of cylinder.

Materials

Flange: Surface-treated steel

Mounting screws acc. to DIN 6912: Zinc-plated steel 8.8

Supplied complete with mounting screws for attachment to cylinder.



According to ISO MF1/MF2, VDMA 24 562, AFNOR

Cyl. bore mm	d1 mm	FB mm	TG1 mm	E mm	R mm	MF mm	TF mm	UF mm	I1 mm	W* mm	ZF* mm	ZB* mm	Weight Kg	Order code
32	30	7	32,5	45	32	10	64	80	5,0	16	130	123,5	0,23	P1C-4KMB
40	35	9	38,0	52	36	10	72	90	5,0	20	145	138,5	0,28	P1C-4LMB
50	40	9	46,5	65	45	12	90	110	6,5	25	155	146,5	0,53	P1C-4MMB
63	45	9	56,5	75	50	12	100	120	6,5	25	170	161,5	0,71	P1C-4NMB
80	45	12	72,0	95	63	16	126	150	8,0	30	190	177,5	1,59	P1C-4PMB
100	55	14	89,0	115	75	16	150	170	8,0	35	205	192,5	2,19	P1C-4QMB
125	60	16	110,0	140	90	20	180	205	10,5	45	245	230,5	3,78	P1C-4RMB

S = Stroke length

Foot brackets MS1



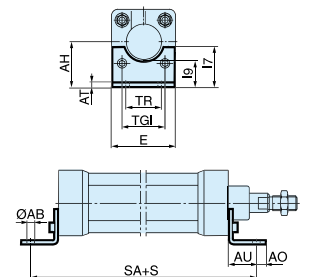
Intended for fixed mounting of cylinder. Foot bracket can be fitted to front and rear end covers of cylinder.

Material:

Foot bracket: Surface treated steel

Mounting screws acc. to DIN 912: Zinc-plated steel 8.8

Supplied in pairs with mounting screws for attachment to cylinder.



According to ISO MS1, VDMA 24 562, AFNOR

Cyl. bore mm	AB mm	TG1 mm	E mm	TR mm	AO mm	AU mm	AH mm	I7 mm	AT mm	I9 mm	SA* mm	Weight Kg	Order code
32	7	32,5	45	32	10	24	32	30	4,5	17,0	142	0,06	P1C-4KMF
40	9	38,0	52	36	8	28	36	30	4,5	18,5	161	0,08	P1C-4LMF
50	9	46,5	65	45	13	32	45	36	5,5	25,0	170	0,16	P1C-4MMF
63	9	56,5	75	50	13	32	50	35	5,5	27,5	185	0,25	P1C-4NMF
80	12	72,0	95	63	14	41	63	49	6,5	40,5	210	0,50	P1C-4PMF
100	14	89,0	115	75	15	41	71	54	6,5	43,5	220	0,85	P1C-4QMF
125	16	110,0	140	90	22	45	90	71	8,0	60,0	250	1,48	P1C-4RMF

S = Stroke length

Pivot bracket with rigid bearing AB7

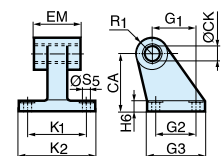


Intended for flexible mounting of cylinder. The pivot bracket can be combined with clevis bracket MP2.

Materials

Pivot bracket: Surface-treated aluminium, black

Bearing: Sintered oil-bronze bushing



According to CETOP RP 107 P, VDMA 24 562, AFNOR

Cyl. bore mm	CK mm	S5 mm	K1 mm	K2 mm	G1 mm	G2 mm	EM mm	G3 mm	CA mm	H6 mm	R1 mm	Weight Kg	Order code
32	10	6,6	38	51	21	18	25,5	31	32	8	10,0	0,06	P1C-4KMD
40	12	6,6	41	54	24	22	27,0	35	36	10	11,0	0,08	P1C-4LMD
50	12	9,0	50	65	33	30	31,0	45	45	12	13,0	0,15	P1C-4MMD
63	16	9,0	52	67	37	35	39,0	50	50	12	15,0	0,20	P1C-4NMD
80	16	11,0	66	86	47	40	49,0	60	63	14	15,0	0,33	P1C-4PMD
100	20	11,0	76	96	55	50	59,0	70	71	15	19,0	0,49	P1C-4QMD
125	25	14,0	94	124	70	60	69,0	90	90	20	22,5	1,02	P1C-4RMD

Cylinder mountings

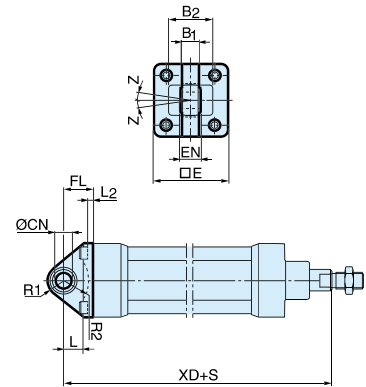
Swivel eye bracket MP6

Intended for use together with clevis bracket GA



Material
Bracket: Surface-treated aluminium, black
Swivel bearing acc. to DIN 648K: Hardened steel

Supplied complete with mounting screws for attachment to cylinder.



According to VDMA 24 562, AFNOR

Cyl. bore mm	E mm	B1 mm	B2 mm	EN mm	R1 mm	R2 mm	FL mm	I2 mm	L mm	CN H7 mm	XD* mm	Z mm	Weight Kg	Order code
32	45	10,5	-	14	16	-	22	5,5	12	10	142	4°	0,08	P1C-4KMSA
40	52	12,0	-	16	18	-	25	5,5	15	12	160	4°	0,11	P1C-4LMSA
50	65	15,0	51	21	21	19	27	6,5	15	16	170	4°	0,20	P1C-4MMSA
63	75	15,0	-	21	23	-	32	6,5	20	16	190	4°	0,27	P1C-4NMSA
80	95	18,0	-	25	29	-	36	10,0	20	20	210	4°	0,52	P1C-4PMSA
100	115	18,0	-	25	31	-	41	10,0	25	20	230	4°	0,72	P1C-4QMSA
125	140	25,0	-	37	40	-	50	10,0	30	30	275	4°	1,53	P1C-4RMSA

S = Stroke length * Does not apply to cylinders with lock unit.

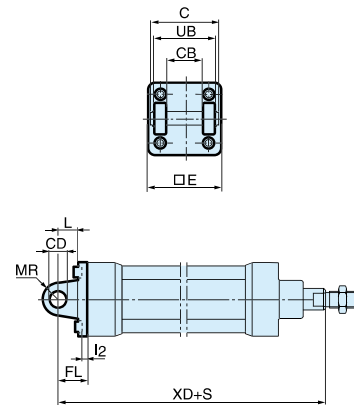
Clevis bracket MP2

Intended for flexible mounting of cylinder. Clevis bracket MP2 can be combined with clevis bracket MP4.



Materials
Clevis bracket: Surface-treated aluminium, black
Pin: Surface hardened steel
Circlips according to DIN 471: Spring steel
Mounting screws acc. to DIN 912: Zinc-plated steel 8.8

Supplied complete with mounting screws for attachment to cylinder.



According to ISO MP2, VDMA 24 562, AFNOR

Cyl. bore mm	C mm	E mm	UB h14 mm	CB H14 mm	FL ±0,2 mm	L mm	I2 mm	CD H9 mm	MR mm	XD* mm	Weight Kg	Order code
32	53	45	45	26	22	13	5,5	10	10	142	0,08	P1C-4KMT
40	60	52	52	28	25	16	5,5	12	12	160	0,11	P1C-4LMT
50	68	65	60	32	27	16	6,5	12	12	170	0,14	P1C-4MMT
63	78	75	70	40	32	21	6,5	16	16	190	0,29	P1C-4NMT
80	98	95	90	50	36	22	10,0	16	16	210	0,36	P1C-4PMT
100	118	115	110	60	41	27	10,0	20	20	230	0,64	P1C-4QMT
125	139	140	130	70	50	30	10,0	25	25	275	1,17	P1C-4RMT

S = Stroke length * Does not apply to cylinders with lock unit

Cylinder mountings

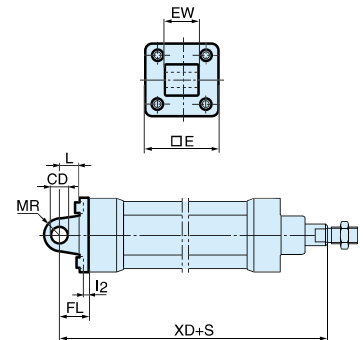
Clevis bracket MP4



Intended for flexible mounting of cylinder. Clevis bracket MP4 can be combined with clevis bracket MP2.

Materials
 Clevis bracket: Surface-treated aluminium, black
 Mounting screws acc. to DIN 912: Zinc-plated steel 8.8

Supplied complete with mounting screws for attachment to cylinder.



According to ISO MP4, VDMA 24 562, AFNOR

Cyl. bore mm	E mm	EW mm	FL mm	L mm ±0,2	I2 mm	CD mm	MR H9 mm	XD* mm	Weight Kg	Order code
32	45	26	22	13	5,5	10	10	142	0,09	P1C-4KME
40	52	28	25	16	5,5	12	12	160	0,13	P1C-4LME
50	65	32	27	16	6,5	12	12	170	0,17	P1C-4MME
63	75	40	32	21	6,5	16	16	190	0,36	P1C-4NME
80	95	50	36	22	10,0	16	16	210	0,46	P1C-4PME
100	115	60	41	27	10,0	20	20	230	0,83	P1C-4QME
125	140	70	50	30	10,0	25	25	275	1,53	P1C-4RME

S = Stroke length * Does not apply to cylinders with lock unit.

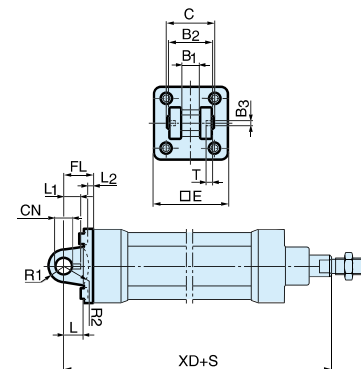
Clevis bracket AB6



Intended for flexible mounting of cylinder. Clevis bracket GA can be combined with pivot bracket with swivel bearing, swivel eye bracket and swivel rod eye.

Materials
 Clevis bracket: Surface-treated aluminium
 Pin: Surface hardened steel
 Locking pin: Spring steel
 Circlips according to DIN 471: Spring steel
 Mounting screws acc. to DIN 912: Zinc-plated steel 8.8

Supplied complete with mounting screws for attachment to cylinder.



According to VDMA 24 562, AFNOR

Cyl. bore mm	C mm	E mm	B2 mm d12	B1 mm H14	T mm	B3 mm	R2 mm	L1 mm	FL mm ±0,2	I2 mm	L mm	CN F7 mm	R1 mm	XD* mm	Weight Kg	Order code
32	41	45	34	14	3	3,3	17	11,5	22	5,5	12	10	11	142	0,09	P1C-4KMCA
40	48	52	40	16	4	4,3	20	12,0	25	5,5	15	12	13	160	0,13	P1C-4LMCA
50	54	65	45	21	4	4,3	22	14,0	27	6,5	17	16	18	170	0,17	P1C-4MMCA
63	60	75	51	21	4	4,3	25	14,0	32	6,5	20	16	18	190	0,36	P1C-4NMCA
80	75	95	65	25	4	4,3	30	16,0	36	10,0	20	20	22	210	0,58	P1C-4PMCA
100	85	115	75	25	4	4,3	32	16,0	41	10,0	25	20	22	230	0,89	P1C-4QMCA
125	110	140	97	37	6	6,3	42	24,0	50	10,0	30	30	30	275	1,75	P1C-4RMCA

S = Stroke length * Does not apply to cylinders with lock unit.

Stainless steel Pin Set AB6

Cyl. bore mm	Weight Kg	Order code
32	0,05	9301054311
40	0,06	9301054312
50	0,07	9301054313
63	0,07	9301054314
80	0,17	9301054315
100	0,31	9301054316
125	0,54	9301054317

Materials
 Pin: Stainless steel
 Locking pin: Stainless steel
 Circlips according to DIN 471: Stainless steel

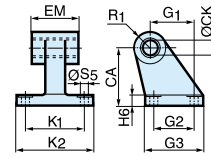
Cylinder mountings

Pivot bracket with swivel bearing AB5



Intended for use together with clevis bracket GA.

Material
 Pivot bracket: Surface-treated steel, black
 Swivel bearing acc. to DIN 648K: Hardened steel



According to VDMA 24 562, AFNOR

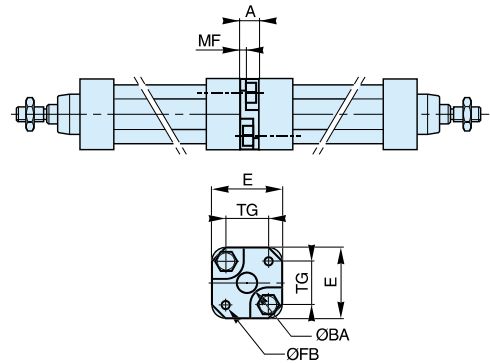
Cyl. bore mm	CN H7 mm	S5 H13 mm	K1 JS14 mm	K2 mm	EU mm	G1 JS14 mm	G2 JS14 mm	EN mm	G3 mm	CH JS15 mm	H6 mm	ER mm	Z	Weight Kg	Order code
32	10	6,6	38	51	10,5	21	18	14	31	32	10	16	4°	0,18	P1C-4KMA
40	12	6,6	41	54	12,0	24	22	16	35	36	10	18	4°	0,25	P1C-4LMA
50	16	9,0	50	65	15,0	33	30	21	45	45	12	21	4°	0,47	P1C-4MMA
63	16	9,0	52	67	15,0	37	35	21	50	50	12	23	4°	0,57	P1C-4NMA
80	20	11,0	66	86	18,0	47	40	25	60	63	14	28	4°	1,05	P1C-4PMA
100	20	11,0	76	96	18,0	55	50	25	70	71	15	30	4°	1,42	P1C-4QMA
125	30	14,0	94	124	25,0	70	60	37	90	90	20	40	4°	3,10	P1C-4RMA

3 and 4 positions flange



Mounting kit for back to back mounted cylinders, 3 and 4 position cylinders.

Material:
 Mounting: Aluminium
 Mounting screws: Zinc-plated steel 8.8



Cyl. bore mm	E mm	TG mm	ØFB mm	MF mm	A mm	ØBA mm	Weight Kg	Order code
32	50	32,5	6,5	5	16	30	0,060	P1E-6KB0
40	60	38,0	6,5	5	16	35	0,078	P1E-6LB0
50	66	46,5	8,5	6	20	40	0,162	P1E-6MB0
63	80	56,5	8,5	6	20	45	0,194	P1E-6NB0
80	100	72,0	10,5	8	25	45	0,450	P1E-6PB0
100	118	89,0	10,5	8	25	55	0,672	P1E-6QB0

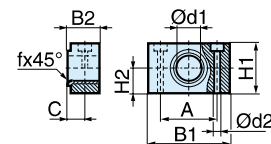
Pivot brackets AT4 for MT4

Intended for use together with central trunnion MT4.



Material
 Pivot bracket: Surface-treated aluminium
 Bearing acc. to DIN 1850 C: Sintered oil-bronze bushing

Supplied in pairs.



According to ISO, VDMA 24 562, AFNOR

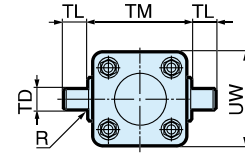
Cyl. bore mm	B1 mm	B2 mm	A mm	C mm	d1 mm	d2 H13 mm	H1 mm	H2 mm	fx45° min	Weight Kg	Order code
32	46	18,0	32	10,5	12	6,6	30	15	1,0	0,04*	9301054261
40	55	21,0	36	12,0	16	9,0	36	18	1,6	0,07*	9301054262
50	55	21,0	36	12,0	16	9,0	36	18	1,6	0,07*	9301054262
63	65	23,0	42	13,0	20	11,0	40	20	1,6	0,12*	9301054264
80	65	23,0	42	13,0	20	11,0	40	20	1,6	0,12*	9301054264
100	75	28,5	50	16,0	25	14,0	50	25	2,0	0,21*	9301054266
125	75	28,5	50	16,0	25	14,0	50	25	2,0	0,21*	9301054266

Cylinder mountings

Centre trunnion MT4 for P1D-S



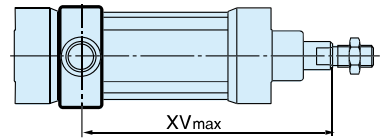
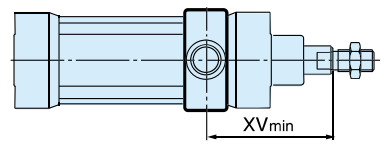
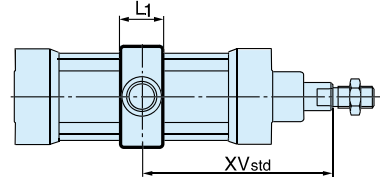
Intended for articulated mounting of cylinder. This mounting is available for P1D-S and P1D-T.
The trunnion is factory-fitted in the centre of the cylinder or at an optional location specified by the XV-measure – Combined with pivot bracket for MT4.
Material:
Trunnion: zinc plated steel



Centre trunnion MT4 for P1D-T



Trunnion centred
The central trunnion for the P1D-S and P1D-T is ordered with letter D in position 17 (no dimension specified in positions 18-20).
Trunnion with optional location
The central trunnion for the P1D-S and P1D-T is ordered with letter G in position 17 and desired XV-measure (3-digit measure in mm) in positions 18-20.
Trunnion loose
P1D-S can also be ordered with the centre trunnion loosely fitted to the cylinder (not fixed in position). This allows the position to be established at the time of installation.
Ordered with letter G in position 17 and 000 in positions 18-20.



According to ISO MT4, VDMA 24 562, AFNOR

Cyl. bore mm	TM	TL	TD	R	UW	UW	L1	L1	X1*	XV*	XV*	X2*	X2*
	h14 mm	h14 mm	e9 mm	mm	P1D-S mm	P1D-T mm	P1D-S mm	P1D-T mm	mm	P1D-S mm	P1D-T mm	P1D-S mm	P1D-T mm
32	50	12	12	1,0	52	46	18	15	73,0	89	62	57	84
40	63	16	16	1,6	59	59	20	20	82,5	95	73	70	92
50	75	16	16	1,6	71	69	20	20	90,0	113	81	67	99
63	90	20	20	1,6	84	84	26	25	97,5	118	90	78	106
80	110	20	20	1,6	105	102	26	25	110,0	132	98	88	122
100	132	25	25	2,0	129	125	32	30	120,0	140	111	100	129
125	160	25	25	2,0	159	155	33	32	145,0	168	132	122	158

XVstd = X1 + Stroke length/2, XVmax = X2 + Stroke length

* Does not apply to cylinders with lock unit.

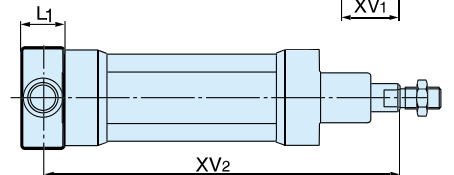
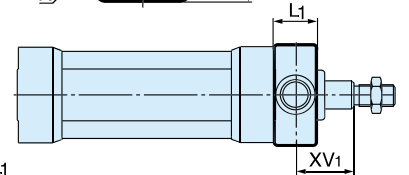
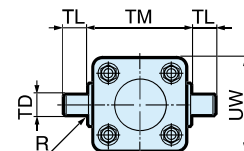
Flange mounted trunnion MT5/MT6



Intended for articulated mounting of cylinder. This trunnion can be flange mounted on the front or rear end cover of all P1D cylinders. At your choice, you can order a complete cylinder with factory-fitted flange mounted trunnion
Individual trunnions have order code as shown below.

Material:
Trunnion: zinc plated steel
Screws: zinc plated steel, 8.8

Delivered complete with mounting screws for attachment to the cylinder



According to ISO MT4, VDMA 24 562, AFNOR

Cyl. bore mm	TM	TL	TD	R	UW	L1	XV ₁ *	X*	Y	Weight Kg	Order code
	h14 mm	h14 mm	e9 mm	mm	mm	mm	mm	mm	mm		
32	50	12	12	1,0	46	14	19,5	126,5	11	0,17	P1D-4KMYF
40	63	16	16	1,6	59	19	21,0	144,0	14	0,43	P1D-4LMYF
50	75	16	16	1,6	69	19	28,0	152,0	20	0,55	P1D-4MMYF
63	90	20	20	1,6	84	24	25,5	169,5	20	1,10	P1D-4NMYF
80	110	20	20	1,6	102	24	34,5	185,5	26	1,66	P1D-4PMYF
100	132	25	25	2,0	125	29	37,0	203,0	31	3,00	P1D-4QMYF

XV₂ = X + Stroke length * Does not apply to cylinders with lock unit.

To fit a flange mounted trunnion at the front end cover of a P1D cylinder with lock unit, the piston rod must be extended. This is to provide the same WH dimensions as for the P1D base cylinder with dimension Y.

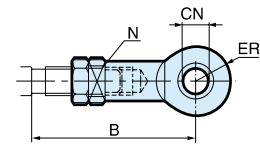
Piston rod mountings

Swivel rod eye AP6

Intended for articulated mounting of the cylinder.



Material:
Swivel rod eye, nut: galvanized steel.
Swivel bearing according to DIN 648K: Hardened steel.

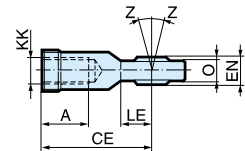


Stainless steel swivel rod eye AP6

Stainless-steel swivel rod eye for articulated mounting of eye cylinder.



Materials
Swivel rod eye: Stainless steel
Swivel bearing according to DIN 648K: Stainless steel
Use stainless steel nut with stainless steel swivel rod eye.



ISO 8139

Cyl.- dia. mm	A mm	B min mm	B max mm	CE mm	CN H9 mm	EN h12 mm	ER mm	KK	LE	N* min mm	O mm	Z mm	Weight kg	Order code	Order code
														Galvanised Steel	Stainless Steel
32	20	48,0	55	43	10	14	14	M10x1,25	15	17	10,5	12°	0,08	P1C-4KRS	P1S-4JRT
40	22	56,0	62	50	12	16	16	M12x1,25	17	19	12,0	12°	0,12	P1C-4LRS	P1S-4LRT
50	28	72,0	80	64	16	21	21	M16x1,5	22	22	15,0	15°	0,25	P1C-4MRS	P1S-4MRT
63	28	72,0	80	64	16	21	21	M16x1,5	22	22	15,0	15°	0,25	P1C-4MRS	P1S-4MRT
80	33	87,0	97	77	20	25	25	M20x1,5	26	32	18,0	15°	0,46	P1C-4PRS	P1S-4PRT
100	33	87,0	97	77	20	25	25	M20x1,5	26	32	18,0	15°	0,46	P1C-4PRS	P1S-4PRT
125	51	123,5	137	110	30	37	35	M27x2	36	41	25,0	15°	1,28	P1C-4RRS	P1S-4RRT

*key grip

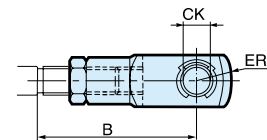
Clevis AP2

Intended for articulated mounting of the cylinder.



Material:
Clevis and clip galvanized steel.
Pin: Hardened steel

Supplied complete with axle.

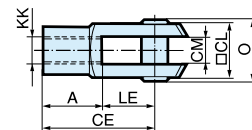


Stainless steel Clevis AP2

Stainless-steel clevis for articulated mounting of cylinder.



Material
Clevis: Stainless steel
Pin: Stainless steel
Circlips according to DIN 471: Stainless steel
Use stainless steel nut with stainless steel swivel rod eye.



ISO 8140

Cyl.- dia. mm	A mm	B min mm	B max mm	CE mm	CK mm	CL mm	CM mm	ER mm	KK	LE mm	O mm	Weight kg	Order code	Order code
													Galvanised Steel	Stainless Steel
32	20	45,0	52	40	10	20	10	16	M10x1,25	20	28,0	0,09	P1C-4KRC	P1S-4JRD
40	24	54,0	60	48	12	24	12	19	M12x1,25	24	32,0	0,15	P1C-4LRC	P1S-4LRD
50	32	72,0	80	64	16	32	16	25	M16x1,5	32	41,5	0,35	P1C-4MRC	P1S-4MRD
63	32	72,0	80	64	16	32	16	25	M16x1,5	32	41,5	0,35	P1C-4MRC	P1S-4MRD
80	40	90,0	100	80	20	40	20	32	M20x1,5	40	50,0	0,75	P1C-4PRC	P1S-4PRD
100	40	90,0	100	80	20	40	20	32	M20x1,5	40	50,0	0,75	P1C-4PRC	P1S-4PRD
125	56	123,5	137	110	30	55	30	45	M27x2,0	54,0	72,0	2,10	P1C-4RRC	P1S-4RRD

Piston rod mountings

Flexo coupling PM5



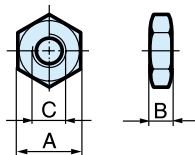
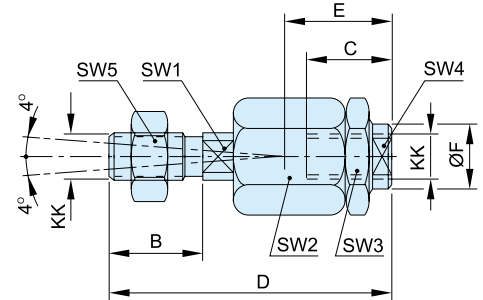
Flexo coupling for articulated mounting of piston rod. Flexo fitting is intended to take up axial angle errors within a range of $\pm 4^\circ$.

Material
Flexo coupling, nut: Zinc-plated steel

Supplied complete with galvanized adjustment nut.

Cyl. bore Ø mm	Weight kg	Order code
32	0,23	P1C-4KRF
40	0,23	P1C-4LRF
50	0,65	P1C-4MRF
63	0,65	P1C-4MRF
80	0,71	P1C-4PRF
100	0,71	P1C-4PRF
125	1,60	P1C-4RRF

Cyl. bore mm	KK mm	B mm	C mm	D mm	E mm	ØF mm	SW1 mm	SW2 mm	SW3 mm	SW4 mm	SW5 mm
32	M10x1.25	20	23	73	31	21	12	30	30	19	17
40	M12x1.25	24	23	77	31	21	12	30	30	19	19
50	M16x1.5	32	32	108	45	33.5	19	41	41	30	24
63	M16x1.5	32	32	108	45	33.5	19	41	41	30	24
80	M20x1.5	40	42	122	56	33.5	19	41	41	30	30
100	M20x1.5	40	42	122	56	33.5	19	41	41	30	30
125	M27x2	54	48	147	51	39	24	55	55	32	41



According to DIN 439 B

Cyl. bore mm	A mm	B mm	C	Weight Kg	Order code
32	17	5,0	M10x1,25	0,007	P14-4KRPZ
40	19	6,0	M12x1,25	0,010	P14-4LRPZ
50	24	8,0	M16x1,5	0,021	P14-4MRPZ
63	24	8,0	M16x1,5	0,021	P14-4MRPZ
80	30	10,0	M20x1,5	0,040	P14-4PRPZ
100	30	10,0	M20x1,5	0,040	P14-4PRPZ
125	30	10,0	M27x2	0,100	P14-4RRPZ
32	17	5,0	M10x1,25	0,007	P14-4KRPS
40	19	6,0	M12x1,25	0,010	P14-4LRPS
50	24	8,0	M16x1,5	0,021	P14-4MRPS
63	24	8,0	M16x1,5	0,021	P14-4MRPS
80	30	10,0	M20x1,5	0,040	P14-4PRPS
100	30	10,0	M20x1,5	0,040	P14-4PRPS
125	30	10,0	M27x2	0,100	P14-4RRPS
32	17	5,0	M10x1,25	0,007	P14-4KRPX
40	19	6,0	M12x1,25	0,010	P14-4LRPX
50	24	8,0	M16x1,5	0,021	P14-4MRPX
63	24	8,0	M16x1,5	0,021	P14-4MRPX
80	30	10,0	M20x1,5	0,040	P14-4PRPX
100	30	10,0	M20x1,5	0,040	P14-4PRPX
125	30	10,0	M27x2	0,100	P14-4RRPX

Supplied as pack of 10 off, Weight per item

Nut MR9



Intended for fixed mounting of accessories to the piston rod.
Material: Zinc-plated steel

All P1D cylinders are delivered with a zinc-plated steel piston rod nut, except P1D Ultra Clean, which is delivered with a stainless steel piston rod nut instead.

Stainless steel nut



Intended for fixed mounting of accessories to the piston rod.

Material: Stainless steel A2

All P1D cylinders are delivered with a zinc-plated steel piston rod nut, except P1D Ultra Clean, which is delivered with a stainless steel piston rod nut instead.

Acid-proof nut



Intended for fixed mounting of accessories to the piston rod.

Material: Acid-proof steel A4

Cylinders with acid-proof piston rod are supplied with nut of acid-proof steel

Sealing plugs



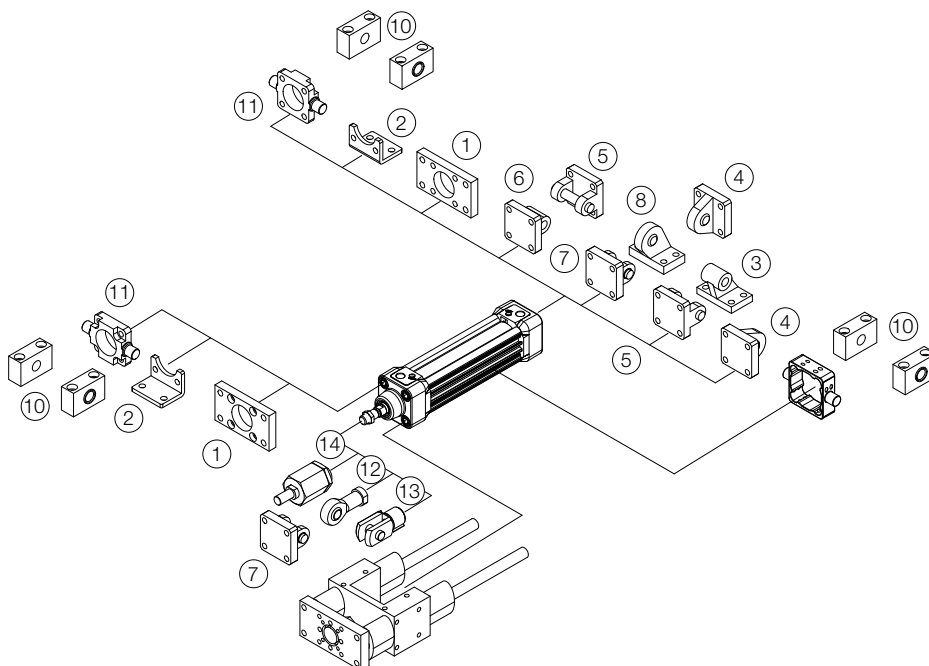
Set of 4 threaded plugs to be fitted in unused end cover screws. A rubber gasket is supplied with every plug. The seal off function is equal to IP67. The plugs can be used for all P1D cylinders to avoid collecting dirt and fluids in the end cover screw recesses.

Material:
Plug Polyamid PA
Gasket Nitrile rubber

4 pcs per pack

Cyl.	Weight Kg	Order code
32	0,01	460104801
40	0,01	460104801
50	0,02	460104802
63	0,02	460104802
80	0,02	460104803
100	0,02	460104803
125	0,03	460104804

	Flange MF1/MF2 ¹	Foot brackets MS1 ²	Pivot bracket with rigid bearing AB7 ³	Swivel eye bracket MP6 ⁴	Clevis bracket MP2 ⁵
Ø 32	P1C-4KMB	P1C-4KMF	P1C-4KMD	P1C-4KMSA	P1C-4KMT
Ø 40	P1C-4LMB	P1C-4LMF	P1C-4LMD	P1C-4LMSA	P1C-4LMT
Ø 50	P1C-4MMB	P1C-4MMF	P1C-4MMD	P1C-4MMSA	P1C-4MMT
Ø 63	P1C-4NMB	P1C-4NMF	P1C-4NMD	P1C-4NMSA	P1C-4NMT
Ø 80	P1C-4PMB	P1C-4PMF	P1C-4PMD	P1C-4PMSA	P1C-4PMT
Ø 100	P1C-4QMB	P1C-4QMF	P1C-4QMD	P1C-4QMSA	P1C-4QMT
Ø 125	P1C-4RMB	P1C-4RMF	P1C-4RMD	P1C-4RMSA	P1C-4RMT
	Clevis bracket MP4 ⁶	Clevis bracket AB6 ⁷	Pivot bracket with swivel bearing AB5 ⁸	3 and 4 positions flange	Pivot brackets AT4 ¹⁰ for MT4
Ø 32	P1C-4KME	P1C-4KMCA	P1C-4KMA	P1E-6KB0	9301054261
Ø 40	P1C-4LME	P1C-4LMCA	P1C-4LMA	P1E-6LB0	9301054262
Ø 50	P1C-4MME	P1C-4MMCA	P1C-4MMA	P1E-6MB0	9301054262
Ø 63	P1C-4NME	P1C-4NMCA	P1C-4NMA	P1E-6NB0	9301054264
Ø 80	P1C-4PME	P1C-4PMCA	P1C-4PMA	P1E-6PB0	9301054264
Ø 100	P1C-4QME	P1C-4QMCA	P1C-4QMA	P1E-6QB0	9301054266
Ø 125	P1C-4RME	P1C-4RMCA	P1C-4RMA		9301054266
	Flange mounting trunnion MT5/MT6 ¹¹	Swivel rod eye AP6 ¹²	Clevis AP2 ¹³	Flexo coupling PM5 ¹⁴	Nut MR9
Ø 32	P1D-4KMYF	P1C-4KRS	P1C-4KRC	P1C-4KRF	9128985601
Ø 40	P1D-4LMYF	P1C-4LRS	P1C-4LRC	P1C-4LRF	0261109910
Ø 50	P1D-4MMYF	P1C-4MRS	P1C-4MRC	P1C-4MRF	9128985603
Ø 63	P1D-4NMYF	P1C-4MRS	P1C-4MRC	P1C-4MRF	9128985603
Ø 80	P1D-4PMYF	P1C-4PRS	P1C-4PRC	P1C-4PRF	0261109911
Ø 100	P1D-4QMYF	P1C-4PRS	P1C-4PRC	P1C-4PRF	0261109911
Ø 125		P1C-4RRS	P1C-4RRC	P1C-4RRF	0261109912



P1D-B Pneumatic Cylinders

According to ISO 15552



P1D-B series. This series features a profile design and is the basic ISO cylinder for simple applications where no special options are required. This series is suitable for general industrial applications

- Available in 32 to 125 mm bores
- PUR seals for long service life
- Drop-in sensors
- Corrosion resistant design
- Magnetic piston as standard
- Lubricated with food grade grease



P1D-B Basic Cylinders

The P1D-B series features a profile design and is the value line ISO cylinder for basic applications where no special options are required. This series is suitable for general industrial applications and is supported by a full range of ISO mountings.

- Available in 32 to 125 mm bores
- PUR seals for long service life
- Drop-in sensors
- Corrosion resistant design
- Magnetic piston as standard
- Lubricated with food grade grease



Operating information

Working pressure: Max 10 bar
Standard Temperature: -20°C to +80°C

For more information see www.parker.com/euro_pneumatic

P1D-B Basic - Double acting

Ø32mm - (G¹/₈)

Stroke mm	Order code
25	P1D-B032MS-0025
40	P1D-B032MS-0040
50	P1D-B032MS-0050
80	P1D-B032MS-0080
100	P1D-B032MS-0100
125	P1D-B032MS-0125
160	P1D-B032MS-0160
200	P1D-B032MS-0200
250	P1D-B032MS-0250
320	P1D-B032MS-0320
400	P1D-B032MS-0400
500	P1D-B032MS-0500

Ø63mm - (G³/₈)

Stroke mm	Order code
25	P1D-B063MS-0025
40	P1D-B063MS-0040
50	P1D-B063MS-0050
80	P1D-B063MS-0080
100	P1D-B063MS-0100
125	P1D-B063MS-0125
160	P1D-B063MS-0160
200	P1D-B063MS-0200
250	P1D-B063MS-0250
320	P1D-B063MS-0320
400	P1D-B063MS-0400
500	P1D-B063MS-0500

Ø100mm - (G¹/₂)

Stroke mm	Order code
25	P1D-B100MS-0025
40	P1D-B100MS-0040
50	P1D-B100MS-0050
80	P1D-B100MS-0080
100	P1D-B100MS-0100
125	P1D-B100MS-0125
160	P1D-B100MS-0160
200	P1D-B100MS-0200
250	P1D-B100MS-0250
320	P1D-B100MS-0320
400	P1D-B100MS-0400
500	P1D-B100MS-0500

Ø40mm - (G¹/₄)

Stroke mm	Order code
25	P1D-B040MS-0025
40	P1D-B040MS-0040
50	P1D-B040MS-0050
80	P1D-B040MS-0080
100	P1D-B040MS-0100
125	P1D-B040MS-0125
160	P1D-B040MS-0160
200	P1D-B040MS-0200
250	P1D-B040MS-0250
320	P1D-B040MS-0320
400	P1D-B040MS-0400
500	P1D-B040MS-0500

Ø80mm - (G³/₄)

Stroke mm	Order code
25	P1D-B080MS-0025
40	P1D-B080MS-0040
50	P1D-B080MS-0050
80	P1D-B080MS-0080
100	P1D-B080MS-0100
125	P1D-B080MS-0125
160	P1D-B080MS-0160
200	P1D-B080MS-0200
250	P1D-B080MS-0250
320	P1D-B080MS-0320
400	P1D-B080MS-0400
500	P1D-B080MS-0500

Ø125mm - (G¹/₂)

Stroke mm	Order code
25	P1D-B125MS-0025
40	P1D-B125MS-0040
50	P1D-B125MS-0050
80	P1D-B125MS-0080
100	P1D-B125MS-0100
125	P1D-B125MS-0125
160	P1D-B125MS-0160
200	P1D-B125MS-0200
250	P1D-B125MS-0250
320	P1D-B125MS-0320
400	P1D-B125MS-0400
500	P1D-B125MS-0500

Ø50mm - (G¹/₄)

Stroke mm	Order code
25	P1D-B050MS-0025
40	P1D-B050MS-0040
50	P1D-B050MS-0050
80	P1D-B050MS-0080
100	P1D-B050MS-0100
125	P1D-B050MS-0125
160	P1D-B050MS-0160
200	P1D-B050MS-0200
250	P1D-B050MS-0250
320	P1D-B050MS-0320
400	P1D-B050MS-0400
500	P1D-B050MS-0500

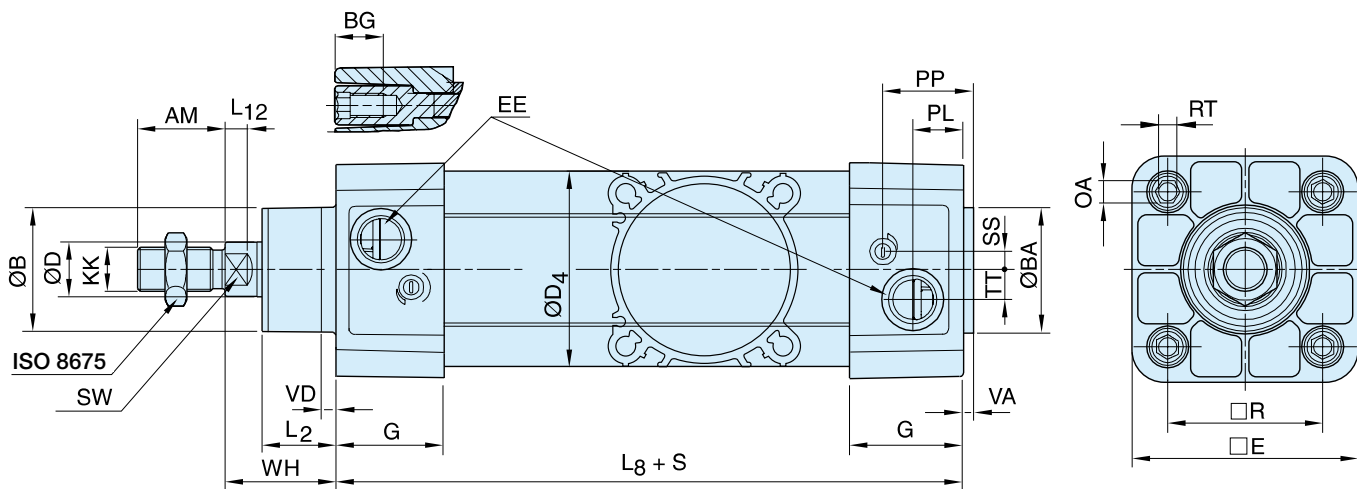
The cylinders are supplied complete with a zinc plated steel piston rod nut.

Sensors



For sensors see page 78.

P1D-B Series dimensions



Dimensions

Cylinder bore mm	AM mm	B mm	BA mm	BG mm	D mm	D4 mm	E mm	EE mm	G mm	KK	L2 mm	L8 mm	L12 mm
32	22	30	30	16	12	45,0	48,0	G1/8	28,5	M10x1,25	16,8	94	6,0
40	24	35	35	16	16	52,0	53,5	G1/4	33,0	M12x1,25	19,0	105	6,5
50	32	40	40	16	20	60,7	65,2	G1/4	33,5	M16x1,5	24,0	106	8,0
63	32	45	45	16	20	71,5	75,5	G3/8	39,5	M16x1,5	24,3	121	8,0
80	40	45	45	17	25	86,7	95,0	G3/8	39,5	M20x1,5	30,0	128	10,0
100	40	55	55	17	25	106,7	114,0	G1/2	44,5	M20x1,5	34,0	138	14,0
125	54	60	60	20	32	134,0	139,0	G1/2	51,0	M27x2	45,0	160	18,0

Cylinder bore mm	OA mm	PL mm	PP mm	R mm	RT	SS mm	SW mm	TT mm	VA mm	VD mm	WH mm
32	6,0	14,0	24,2	32,5	M6	5,5	10	4,2	3,5	4,5	26
40	6,0	16,0	27,5	38,0	M6	8,0	13	5,5	3,5	4,5	30
50	8,0	14,0	29,3	46,5	M8	9,0	17	7,5	3,5	4,5	37
63	8,0	16,6	30,8	56,5	M8	6,5	17	10,0	3,5	4,5	37
80	6,0	16,8	33,5	72,0	M10	0	22	11,5	3,5	4,5	46
100	6,0	20,5	37,5	89,0	M10	0	22	14,5	3,5	4,5	51
125	8,0	23,3	45,8	110,0	M12	0	27	15,0	5,5	6,5	65

S=Stroke

Tolerances

Cylinder bore mm	B	BA	L ₃ mm	L ₉ mm	R mm	Stroke tolerance up to stroke 500 mm	Stroke tolerance for stroke over 500 mm
32	d11	d11	±0,4	±2	±0,5	+0,3/+2,0	+0,3/+3,0
40	d11	d11	±0,7	±2	±0,5	+0,3/+2,0	+0,3/+3,0
50	d11	d11	±0,7	±2	±0,6	+0,3/+2,0	+0,3/+3,0
63	d11	d11	±0,8	±2	±0,7	+0,3/+2,0	+0,3/+3,0
80	d11	d11	±0,8	±3	±0,7	+0,3/+2,0	+0,3/+3,0
100	d11	d11	±1,0	±3	±0,7	+0,3/+2,0	+0,3/+3,0
125	d11	d11	±1,0	±3	±1,1	+0,3/+2,0	+0,3/+3,0

Cylinder mountings

Flange MF1/MF2



Intended for fixed mounting of cylinder. Flange can be fitted to front or rear end cover of cylinder.

Materials
Flange: Surface-treated steel
Mounting screws acc. to DIN 6912: Zinc-plated steel 8.8

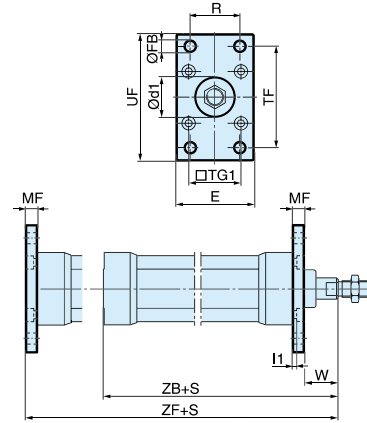
Supplied complete with mounting screws for attachment to cylinder.

According to ISO MF1/MF2, VDMA 24 562, AFNOR

Cyl. bore mm	d1 mm	FB mm	TG1 mm	E mm	R mm	MF JS14 mm	TF JS14 mm	UF JS14 mm	l1 mm	W mm	ZF mm	ZB mm
32	30	7	32,5	45	32	10	64	80	5,0	16	130	123,5
40	35	9	38,0	52	36	10	72	90	5,0	20	145	138,5
50	40	9	46,5	65	45	12	90	110	6,5	25	155	146,5
63	45	9	56,5	75	50	12	100	120	6,5	25	170	161,5
80	45	12	72,0	95	63	16	126	150	8,0	30	190	177,5
100	55	14	89,0	115	75	16	150	170	8,0	35	205	192,5
125	60	16	110,0	140	90	20	180	205	10,5	45	245	230,5

S = Stroke length

Cyl. bore Ø mm	Weight kg	Order code
32	0,23	P1C-4KMB
40	0,28	P1C-4LMB
50	0,53	P1C-4MMB
63	0,71	P1C-4NMB
80	1,59	P1C-4PMB
100	2,19	P1C-4QMB
125	3,78	P1C-4RMB



Foot brackets MS1



Intended for fixed mounting of cylinder. Foot bracket can be fitted to front and rear end covers of cylinder.

Material:
Foot bracket: Surface treated steel
Mounting screws acc. to DIN 912: Zinc-plated steel 8.8

Supplied in pairs with mounting screws for attachment to cylinder.

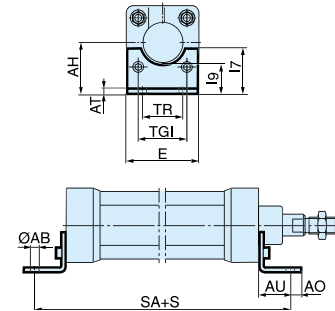
According to ISO MS1, VDMA 24 562, AFNOR

Cyl. bore mm	AB mm	TG1 mm	E mm	TR mm	AO mm	AU mm	AH mm	l7 mm	AT mm	l9 mm	SA mm
32	7	32,5	47	32	8	24	32	30	4,5	17,0	142
40	9	38,0	53	36	10	28	36	30	4,5	18,5	161
50	9	46,5	65	45	10	32	45	36	5,5	25,0	170
63	9	56,5	75	50	10	32	50	35	5,5	27,5	185
80	12	72,0	95	63	14	41	63	49	6,5	40,5	210
100	14	89,0	115	75	15	41	71	54	6,5	43,5	220
125	16	110,0	140	90	20	45	90	71	8,0	60,0	250

S = Stroke length

Cyl. bore Ø mm	Weight kg	Order code
32	0,06**	P1C-4KMF
40	0,08**	P1C-4LMF
50	0,16**	P1C-4MMF
63	0,25**	P1C-4NMF
80	0,50**	P1C-4PMF
100	0,85**	P1C-4QMF
125	1,48**	P1C-4RMF

** Weight per item



Pivot bracket with rigid bearing AB6



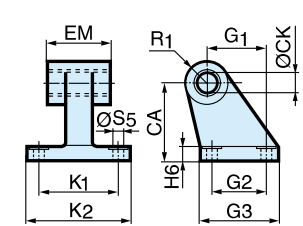
Intended for flexible mounting of cylinder. The pivot bracket can be combined with clevis bracket MP2.

Material:
Pivot bracket: Aluminium
Bearing: Sintered oil-bronze bushing

According to CETOP RP 107 P, VDMA 24 562, AFNOR

Cyl. bore mm	CK mm	S5 mm	K1 mm	K2 mm	G1 mm	G2 mm	EM mm	G3 mm	CA mm	H6 mm	R1 mm
32	10	6,6	38	51	21	18	25,5	31	32	8	10,0
40	12	6,6	41	54	24	22	27,0	35	36	10	11,0
50	12	9,0	50	65	33	30	31,0	45	45	12	13,0
63	16	9,0	52	67	37	35	39,0	50	50	12	15,0
80	16	11,0	66	86	47	40	49,0	60	63	14	15,0
100	20	11,0	76	96	55	50	59,0	70	71	15	19,0
125	25	14,0	94	124	70	60	69,0	90	90	20	22,5

Cyl. bore Ø mm	Weight kg	Order code
32	0,06	P1C-4KMDB
40	0,08	P1C-4LMDB
50	0,15	P1C-4MMDB
63	0,20	P1C-4NMDB
80	0,33	P1C-4PMDB
100	0,49	P1C-4QMDB
125	1,02	P1C-4RMDB



Cylinder mountings

Swivel eye bracket MP6

Intended for use together with clevis bracket GA



Material:
Bracket: Aluminium
Swivel bearing acc. to DIN 648K: Hardened steel

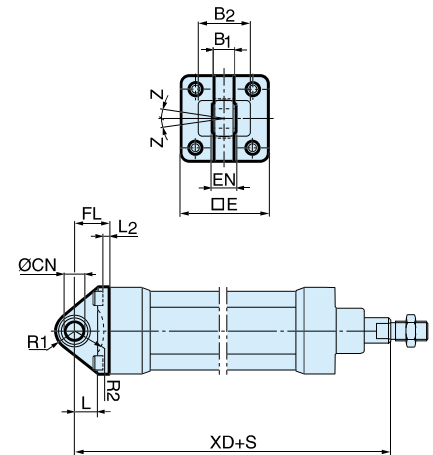
Supplied complete with mounting screws for attachment to cylinder.

Cyl. bore Ø mm	Weight kg	Order code
32	0,08	PD23843
40	0,11	PD23844
50	0,20	PD23845
63	0,27	PD23846
80	0,52	PD23847
100	0,72	PD23848
125	1,53	PD23849

According to VDMA 24 562, AFNOR

Cyl. bore mm	E mm	B1 mm	B2 mm	EN mm	R1 mm	R2 mm	FL mm	I2 mm	L mm	CN H7 mm	XD mm	Z °
32	47	10,5	-	14	16	12	22	6,0	12	10	142	4°
40	55	12,0	-	16	21	14	25	6,0	15	12	160	4°
50	65	12,0	51	16	23	16	27	7,0	15	12	170	4°
63	78	15,0	-	21	27	19	32	7,0	20	16	190	4°
80	95	15,0	-	21	29	21	36	10,0	20	16	210	4°
100	115	18,0	-	25	34	24	41	10,0	25	20	230	4°
125	140	22,0	-	31	40	30	50	10,5	30	25	275	4°

S = Stroke length



Clevis bracket MP2

Intended for flexible mounting of cylinder. Clevis bracket MP2 can be combined with clevis bracket MP4.



Material:
Clevis bracket: Aluminium
Pin: Surface hardened steel
Circlips according to DIN 471: Spring steel
Mounting screws acc. to DIN 912: Zinc-plated steel 8.8

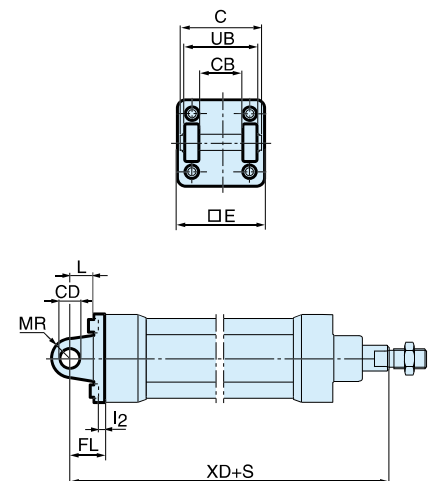
Supplied complete with mounting screws for attachment to cylinder.

Cyl. bore Ø mm	Weight kg	Order code
32	0,08	P1C-4KMTB
40	0,11	P1C-4LMTB
50	0,14	P1C-4MMTB
63	0,29	P1C-4NMTB
80	0,36	P1C-4PMTB
100	0,64	P1C-4QMTB
125	1,17	P1C-4RMTB

According to ISO MP2, VDMA 24 562, AFNOR

Cyl. bore mm	C mm	E mm	UB h14 mm	CB H14 mm	FL ±0,2 mm	L mm	I2 mm	CD H9 mm	MR mm	XD mm
32	53	47	45	26	22	13	6,0	10	10	142
40	60	55	52	28	25	16	6,0	12	12	160
50	68	65	60	32	27	16	7,0	12	12	170
63	78	78	70	40	32	21	7,0	16	16	190
80	98	95	90	50	36	22	10,0	16	16	210
100	118	115	110	60	41	27	10,5	20	20	230
125	139	140	130	70	50	30	10,5	25	25	275

S = Stroke length



Cylinder mountings

Clevis bracket MP4



Intended for flexible mounting of cylinder. Clevis bracket MP4 can be combined with clevis bracket MP2.

Material:
 Clevis bracket: Aluminium
 Mounting screws acc. to DIN 912: Zinc-plated steel 8.8

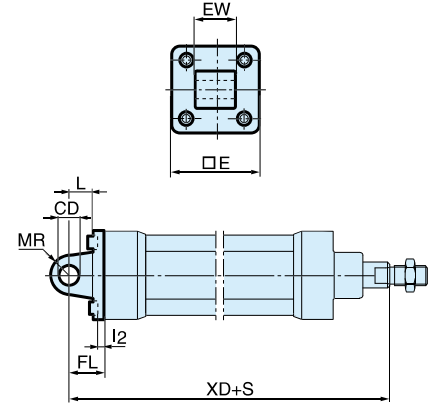
Supplied complete with mounting screws for attachment to cylinder.

Cyl. bore Ø mm	Weight kg	Order code
32	0,09	PD23412
40	0,13	PD23413
50	0,17	PD23414
63	0,36	PD23415
80	0,46	PD23416
100	0,83	PD23417
125	1,53	PD23418

According to ISO MP4, VDMA 24 562, AFNOR

Cyl. bore mm	E mm	EW mm	FL mm	L ±0,2 mm	I2 mm	CD mm	MR H9 mm	XD mm
32	47	26	22	13	6,0	10	10	142
40	55	28	25	16	6,0	12	12	160
50	65	32	27	16	7,0	12	12	170
63	78	40	32	21	7,0	16	16	190
80	95	50	36	22	10,0	16	16	210
100	115	60	41	27	10,5	20	20	230
125	140	70	50	30	10,5	25	25	275

S = Stroke length



Clevis bracket AB6



Intended for flexible mounting of cylinder. Clevis bracket GA can be combined with pivot bracket with swivel bearing, swivel eye bracket and swivel rod eye.

Material:
 Clevis bracket: Surface-treated aluminium
 Pin: Surface hardened steel
 Locking pin: Spring steel
 Circlips according to DIN 471: Spring steel
 Mounting screws acc. to DIN 912: Zinc-plated steel 8.8

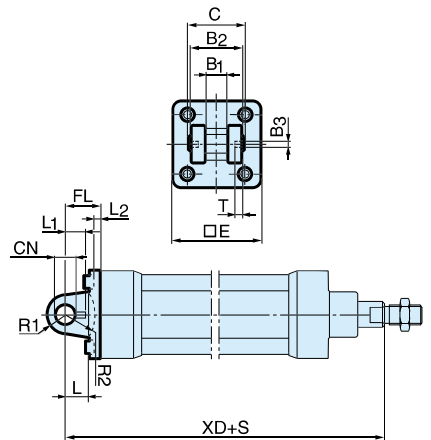
Supplied complete with mounting screws for attachment to cylinder.

Cyl. bore Ø mm	Weight kg	Order code
32	0,09	P1C-4KMCB
40	0,13	P1C-4LMCB
50	0,17	P1C-4MMCB
63	0,36	P1C-4NMCB
80	0,58	P1C-4PMCB
100	0,89	P1C-4QMCB
125	1,75	P1C-4RMCB

According to VDMA 24 562, AFNOR

Cyl. bore mm	C mm	E mm	B2 d12 mm	B1 H14 mm	T mm	B3 mm	R2 mm	L1 mm	FL ±0,2 mm	I2 mm	L mm	CN F7 mm	R1 mm	XD mm
32	41	45	34	14	3	3,3	17	11,5	22	5,5	12	10	11	142
40	48	55	40	16	4	4,3	20	12,0	25	5,5	15	12	13	160
50	54	65	45	21	4	4,3	22	14,0	27	6,5	17	16	18	170
63	60	75	51	21	4	4,3	25	14,0	32	6,5	20	16	18	190
80	75	95	65	25	4	4,3	30	16,0	36	10,0	20	20	22	210
100	85	115	75	25	4	4,3	32	16,0	41	10,0	25	20	22	230
125	110	140	97	37	6	6,3	42	24,0	50	10,0	30	30	30	275

S = Stroke length



Cylinder mountings

Pivot bracket with swivel bearing AB5



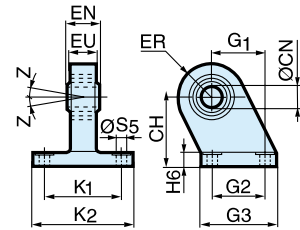
Intended for use together with clevis bracket GA.

Material:
 Pivot bracket: Surface-treated steel
 Swivel bearing acc. to DIN 648K: Hardened steel

According to VDMA 24 562, AFNOR

Cyl. bore mm	CN H7 mm	S5 H13 mm	K1 JS14 mm	K2 mm	EU mm	G1 JS14 mm	G2 JS14 mm	EN mm	G3 mm	CH JS15 mm	H6 mm	ER mm	Z °
32	10	6,6	38	51	10,5	21	18	14	31	32	10	16	4°
40	12	6,6	41	54	12,0	24	22	16	35	36	10	18	4°
50	16	9,0	50	65	15,0	33	30	21	45	45	12	21	4°
63	16	9,0	52	67	15,0	37	35	21	50	50	12	23	4°
80	20	11,0	66	86	18,0	47	40	25	60	63	14	28	4°
100	20	11,0	76	96	18,0	55	50	25	70	71	15	30	4°
125	30	14,0	94	124	25,0	70	60	37	90	90	20	40	4°

Cyl. bore Ø mm	Weight kg	Order code
32	0,18	KC5130
40	0,25	KC5131
50	0,47	KC5132
63	0,57	KC5133
80	1,05	KC5134
100	1,42	KC5135
125	3,10	KC5136



3 and 4 positions flange

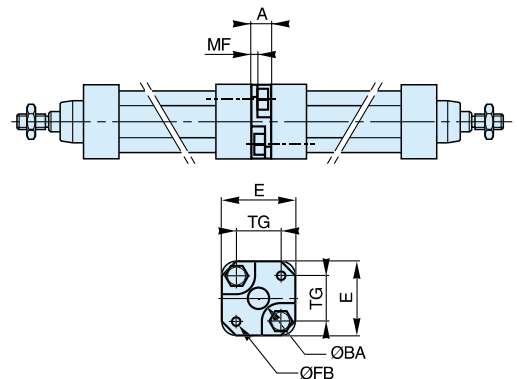


Mounting kit for back to back mounted cylinders, 3 and 4 position cylinders.

Material:
 Mounting: Aluminium
 Mounting screws: Zinc-plated steel 8.8

Cyl. bore mm	E mm	TG mm	ØFB mm	MF mm	A mm	ØBA mm
32	50	32,5	6,5	5	16	30
40	60	38,0	6,5	5	16	35
50	66	46,5	8,5	6	20	40
63	80	56,5	8,5	6	20	45
80	100	72,0	10,5	8	25	45
100	118	89,0	10,5	8	25	55

Cyl. bore Ø mm	Weight kg	Order code
32	0,09	P1E-6KB0
40	0,13	P1E-6LB0
50	0,17	P1E-6MB0
63	0,36	P1E-6NB0
80	0,46	P1E-6PB0
100	0,83	P1E-6QB0



Pivot brackets AT4 for MT4



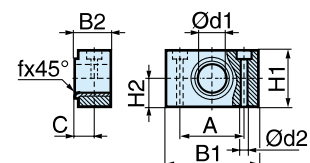
Intended for use together with centre trunnion MT4.

Material:
 Pivot bracket: Aluminium
 Bearing: Composite

Supplied in pairs.

Cyl. bore mm	B1 mm	B2 mm	A mm	C mm	d1 mm	d2 H13 mm	H1 mm	H2 mm	fx45° min
32	55	20	36	10,5	12	8,4	26	13	1,0
40	55	20	36	12,0	16	8,4	26	13	1,6
50	55	20	36	12,0	16	8,4	26	13	1,6
63	65	25	42	13,0	20	10,5	30	15	1,6
80	65	25	42	13,0	20	10,5	30	15	1,6
100	75	28	50	16,0	25	13,0	40	20	2,0
125	75	28	50	16,0	25	13,0	40	20	2,0

Cyl. bore Ø mm	Weight kg	Order code
32	0,06	PD23381
40	0,06	PD23382
50	0,06	PD23382
63	0,10	PD23383
80	0,10	PD23383
100	0,175	PD23384
125	0,175	PD23384



Cylinder mountings

Centre trunnion MT4



Intended for articulated mounting of cylinder. The trunnion is factory-fitted in the centre of the cylinder or at an optional location specified by the XV-measure - Combined with pivot bracket for MT4.

Material:
Trunnion: Zinc plated steel

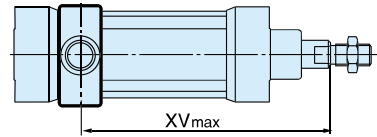
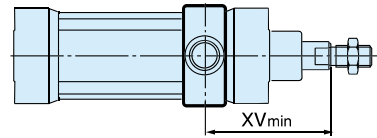
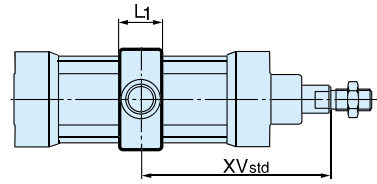
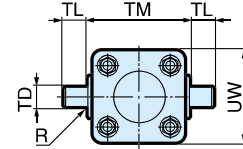
Trunnion centred

The central trunnion for the P1D-B is ordered with letter D in position 17 (no dimension specified in positions 18-20). e.g. P1D-B100MS-0500NDNNN

Trunnion with optional location

The central trunnion for the P1D-B is ordered with letter G in position 17 and desired XV-measure (3-digit measure in mm) in positions 18-20. e.g. P1D-B100MS-0500NG300
Material: nodular graphite cast iron, passivated steel

Cyl. bore Ø mm	Weight kg	Order code
32	0,13	See CD
40	0,31	
50	0,37	
63	0,69	
80	0,89	
100	1,58	
125	2,60	



According to ISO MT4, VDMA 24 562, AFNOR

Cyl. bore mm	TM h14 mm	TL h14 mm	TD e9 mm	R mm	UW mm	L1 mm	X1* mm	XV _{min} mm	X2 mm
32	50	12	12	1,0	52	18	73,0	89	57
40	63	16	16	1,6	59	20	82,5	95	70
50	75	16	16	1,6	71	20	90,0	113	67
63	90	20	20	1,6	84	26	97,5	118	78
80	110	20	20	1,6	105	26	110,0	132	88
100	132	25	25	2,0	129	32	120,0	140	100
125	160	25	25	2,0	159	33	145,0	168	122

XVstd = X1 + Stroke length/2, XVmax = X2 + Stroke length

Flange mounted trunnion MT5/MT6

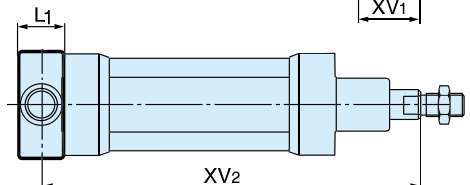
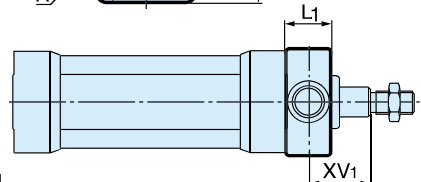
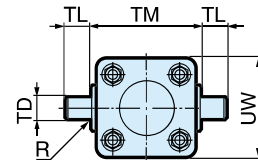


Intended for articulated mounting of cylinder. This trunnion can be flange mounted on the front or rear end cover of all P1D cylinders.
Individual trunnions have order code as shown to the right.

Material:
Trunnion: zinc plated steel
Screws: zinc plated steel, 8.8

Delivered complete with mounting screws for attachment to the cylinder

Cyl. bore Ø mm	Weight kg	Order code
32	0,17	P1D-4KMYF
40	0,43	P1D-4LMYF
50	0,55	P1D-4MMYF
63	1,10	P1D-4NMYF
80	1,66	P1D-4PMYF
100	3,00	P1D-4QMYF



According to ISO MT4, VDMA 24 562, AFNOR

Cyl. bore mm	TM h14 mm	TL h14 mm	TD e9 mm	R mm	UW mm	L1 mm	XV ₁ mm	X mm	Y mm
32	50	12	12	1,0	46	14	19,5	126,5	11
40	63	16	16	1,6	59	19	21,0	144,0	14
50	75	16	16	1,6	69	19	28,0	152,0	20
63	90	20	20	1,6	84	24	25,5	169,5	20
80	110	20	20	1,6	102	24	34,5	185,5	26
100	132	25	25	2,0	125	29	37,0	203,0	31

Piston rod mountings

Swivel rod eye AP6



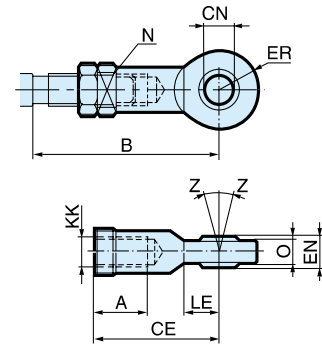
Swivel rod eye for articulated mounting of cylinder. Swivel rod eye can be combined with clevis bracket GA. Maintenance-free.

Material:
Swivel rod eye: Zinc-plated steel
Swivel bearing according to DIN 648K: Hardened steel

Cyl. bore Ø mm	Weight kg	Order code
32	0,08	P1C-4KRS
40	0,12	P1C-4LRS
50	0,25	P1C-4MRS
63	0,25	P1C-4MRS
80	0,46	P1C-4PRS
100	0,46	P1C-4PRS
125	1,28	P1C-4RRS

According to ISO 8139

Cyl. bore mm	A mm	B min mm	B max mm	CE mm	CN H9 mm	EN h12 mm	ER mm	KK mm	LE min mm	N mm	O mm	Z °
32	20	48,0	55	43	10	14	14	M10x1,25	15	17	10,5	12°
40	22	56,0	62	50	12	16	16	M12x1,25	17	19	12,0	12°
50	28	72,0	80	64	16	21	21	M16x1,5	22	22	15,0	15°
63	28	72,0	80	64	16	21	21	M16x1,5	22	22	15,0	15°
80	33	87,0	97	77	20	25	25	M20x1,5	26	32	18,0	15°
100	33	87,0	97	77	20	25	25	M20x1,5	26	32	18,0	15°
125	51	123,5	137	110	30	37	35	M27x2	36	41	25,0	15°



Clevis AP2



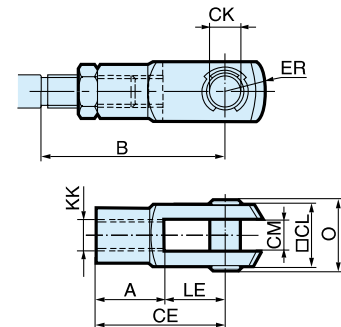
Clevis for articulated mounting of cylinder.

Material:
Clevis, clip: Galvanized steel
Pin: Hardened steel

Cyl. bore Ø mm	Weight kg	Order code
32	0,09	P1C-4KRC
40	0,15	P1C-4LRC
50	0,35	P1C-4MRC
63	0,35	P1C-4MRC
80	0,75	P1C-4PRC
100	0,75	P1C-4PRC
125	2,10	P1C-4RRC

According to ISO 8140

Cyl. bore mm	A mm	B min mm	B max mm	CE mm	CK h11/E9 mm	CL mm	CM mm	ER mm	KK mm	LE mm	O mm
32	20	45,0	52	40	10	20	10	16	M10x1,25	20	28,0
40	24	54,0	60	48	12	24	12	19	M12x1,25	24	32,0
50	32	72,0	80	64	16	32	16	25	M16x1,5	32	41,5
63	32	72,0	80	64	16	32	16	25	M16x1,5	32	41,5
80	40	90,0	100	80	20	40	20	32	M20x1,5	40	50,0
100	40	90,0	100	80	20	40	20	32	M20x1,5	40	50,0
125	56	123,5	137	110	30	55	30	45	M27x2	54	72,0



Piston rod mountings

Flexo coupling PM5



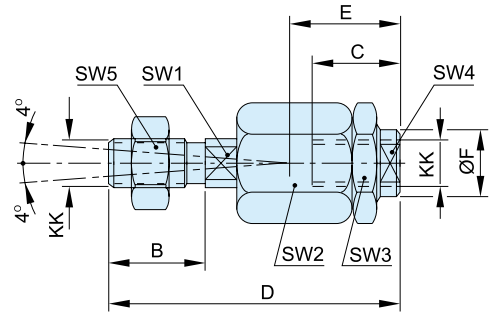
Flexo coupling for articulated mounting of piston rod. Flexo fitting is intended to take up axial angle errors within a range of $\pm 4^\circ$.

Material
Flexo coupling, nut: Zinc-plated steel

Supplied complete with galvanized adjustment nut.

Cyl. bore Ø mm	Weight kg	Order code
32	0,23	P1C-4KRF
40	0,23	P1C-4LRF
50	0,65	P1C-4MRF
63	0,65	P1C-4MRF
80	0,71	P1C-4PRF
100	0,71	P1C-4PRF
125	1,60	P1C-4RRF

Cyl. bore mm	KK mm	B mm	C mm	D mm	E mm	ØF mm	SW1 mm	SW2 mm	SW3 mm	SW4 mm	SW5 mm
32	M10x1.25	20	23	73	31	21	12	30	30	19	17
40	M12x1.25	24	23	77	31	21	12	30	30	19	19
50	M16x1.5	32	32	108	45	33.5	19	41	41	30	24
63	M16x1.5	32	32	108	45	33.5	19	41	41	30	24
80	M20x1.5	40	42	122	56	33.5	19	41	41	30	30
100	M20x1.5	40	42	122	56	33.5	19	41	41	30	30
125	M27x2	54	48	147	51	39	24	55	55	32	41



Nut MR9 *



Intended for fixed mounting of accessories to the piston rod.
Material: Zinc-plated steel
Supplied as pack of 10 off

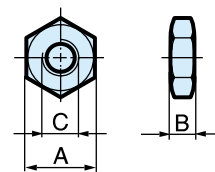
All P1D cylinders are delivered with a zinc-plated steel piston rod nut.

Cyl. bore Ø mm	Weight** kg	Order code
32	0,007	P14-4KRPZ
40	0,010	P14-4LRPZ
50	0,021	P14-4MRPZ
63	0,021	P14-4MRPZ
80	0,040	P14-4PRPZ
100	0,040	P14-4PRPZ
125	0,100	P14-4RRPZ

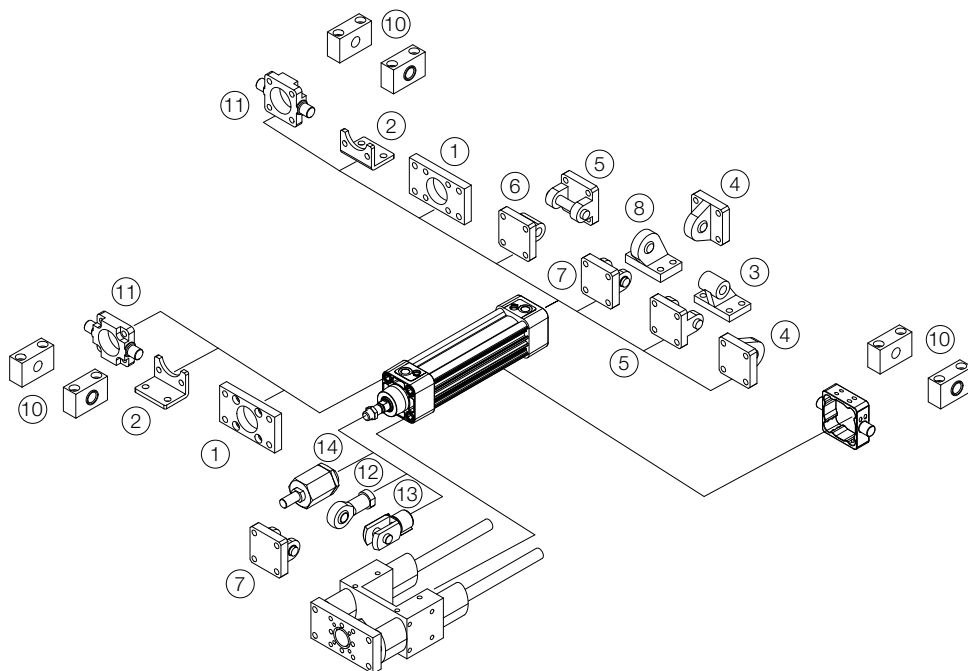
According to DIN 439 B

Cyl. bore mm	A mm	B mm	C
32	17	5,0	M10x1,25
40	19	6,0	M12x1,25
50	24	8,0	M16x1,5
63	24	8,0	M16x1,5
80	30	10,0	M20x1,5
100	30	10,0	M20x1,5
125	41	13,5	M27x2

* Supplied as pack of 10 off
** Weight per item



	Flange MF1/MF2 ¹	Foot brackets MS1 ²	Pivot bracket with rigid bearing AB7 ³	Swivel eye bracket ⁴ MP6	Clevis bracket MP2 ⁵
Ø 32	P1C-4KMB	P1C-4KMF	P1C-4KMDB	PD23843	P1C-4KMTB
Ø 40	P1C-4LMB	P1C-4LMF	P1C-4LMDB	PD23844	P1C-4LMTB
Ø 50	P1C-4MMB	P1C-4MMF	P1C-4MMDB	PD23845	P1C-4MMTB
Ø 63	P1C-4NMB	P1C-4NMF	P1C-4NMDB	PD23846	P1C-4NMTB
Ø 80	P1C-4PMB	P1C-4PMF	P1C-4PMDB	PD23847	P1C-4PMTB
Ø 100	P1C-4QMB	P1C-4QMF	P1C-4QMDB	PD23848	P1C-4QMTB
Ø 125	P1C-4RMB	P1C-4RMF	P1C-4RMDB	PD23849	P1C-4RMTB
	Clevis bracket MP4 ⁶	Clevis bracket AB6 ⁷	Pivot bracket with swivel bearing AB5 ⁸	3 and 4 positions flange	Pivot brackets AT4 ¹⁰ for MT4
Ø 32	PD23412	P1C-4KMCB	KC5130	P1E-6KB0	PD23381
Ø 40	PD23413	P1C-4LMCB	KC5131	P1E-6LB0	PD23382
Ø 50	PD23414	P1C-4MMCB	KC5132	P1E-6MB0	PD23382
Ø 63	PD23415	P1C-4NMCB	KC5133	P1E-6NB0	PD23383
Ø 80	PD23416	P1C-4PMC	KC5134	P1E-6PB0	PD23383
Ø 100	PD23417	P1C-4QMCB	KC5135	P1E-6QB0	PD23384
Ø 125	PD23418	P1C-4RMCB	KC5136		PD23384
	Flange mounting ¹¹ trunnion MT5/MT6	Swivel rod eye AP6 ¹²	Clevis AP2 ¹³	Flexo coupling PM5 ¹⁴	Nut MR9
Ø 32	P1D-4KMYF	P1C-4KRS	P1C-4KRC	P1C-4KRF	P14-4KRPZ
Ø 40	P1D-4LMYF	P1C-4LRS	P1C-4LRC	P1C-4LRF	P14-4LRPZ
Ø 50	P1D-4MMYF	P1C-4MRS	P1C-4MRC	P1C-4MRF	P14-4MRPZ
Ø 63	P1D-4NMYF	P1C-4MRS	P1C-4MRC	P1C-4MRF	P14-4MRPZ
Ø 80	P1D-4PMYF	P1C-4PRS	P1C-4PRC	P1C-4PRF	P14-4PRPZ
Ø 100	P1D-4QMYF	P1C-4PRS	P1C-4PRC	P1C-4PRF	P14-4PRPZ
Ø 125		P1C-4RRS	P1C-4RRC	P1C-4RRF	P14-4RRPZ



P1D-C Ultra Clean Cylinders

This series offers an ultra clean external design of cylinders that are suitable for applications that require a clean profile. With particular design features for the food and packaging industries this product can also be used for applications on vehicles, in sawmills and bag-filling industries where a clean design is important.



- Available in 32 to 125 mm bores
- PUR seals for long service life
- Corrosion resistant design
- Lubricated with food grade grease
- Available as non sensor version

Operating information

Working pressure: Max 10 bar
Working temperature: -20°C to +80°C

For more information see www.parker.com/euro_pneumatic

P1D-C - Double acting

Ø32mm - (G^{1/8})

Stroke mm	Order code
25	P1D-C032MSN0025
40	P1D-C032MSN0040
50	P1D-C032MSN0050
80	P1D-C032MSN0080
100	P1D-C032MSN0100
125	P1D-C032MSN0125
160	P1D-C032MSN0160
200	P1D-C032MSN0200
250	P1D-C032MSN0250
320	P1D-C032MSN0320
400	P1D-C032MSN0400
500	P1D-C032MSN0500

Ø63mm - (G^{3/8})

Stroke mm	Order code
25	P1D-C063MSN0025
40	P1D-C063MSN0040
50	P1D-C063MSN0050
80	P1D-C063MSN0080
100	P1D-C063MSN0100
125	P1D-C063MSN0125
160	P1D-C063MSN0160
200	P1D-C063MSN0200
250	P1D-C063MSN0250
320	P1D-C063MSN0320
400	P1D-C063MSN0400
500	P1D-C063MSN0500

Ø100mm - (G^{1/2})

Stroke mm	Order code
25	P1D-C100MSN0025
40	P1D-C100MSN0040
50	P1D-C100MSN0050
80	P1D-C100MSN0080
100	P1D-C100MSN0100
125	P1D-C100MSN0125
160	P1D-C100MSN0160
200	P1D-C100MSN0200
250	P1D-C100MSN0250
320	P1D-C100MSN0320
400	P1D-C100MSN0400
500	P1D-C100MSN0500

Ø40mm - (G^{1/4})

Stroke mm	Order code
25	P1D-C040MSN0025
40	P1D-C040MSN0040
50	P1D-C040MSN0050
80	P1D-C040MSN0080
100	P1D-C040MSN0100
125	P1D-C040MSN0125
160	P1D-C040MSN0160
200	P1D-C040MSN0200
250	P1D-C040MSN0250
320	P1D-C040MSN0320
400	P1D-C040MSN0400
500	P1D-C040MSN0500

Ø80mm - (G^{3/4})

Stroke mm	Order code
25	P1D-C080MSN0025
40	P1D-C080MSN0040
50	P1D-C080MSN0050
80	P1D-C080MSN0080
100	P1D-C080MSN0100
125	P1D-C080MSN0125
160	P1D-C080MSN0160
200	P1D-C080MSN0200
250	P1D-C080MSN0250
320	P1D-C080MSN0320
400	P1D-C080MSN0400
500	P1D-C080MSN0500

Ø125mm - (G^{1/2})

Stroke mm	Order code
25	P1D-C125MSN0025
40	P1D-C125MSN0040
50	P1D-C125MSN0050
80	P1D-C125MSN0080
100	P1D-C125MSN0100
125	P1D-C125MSN0125
160	P1D-C125MSN0160
200	P1D-C125MSN0200
250	P1D-C125MSN0250
320	P1D-C125MSN0320
400	P1D-C125MSN0400
500	P1D-C125MSN0500

Ø50mm - (G^{1/4})

Stroke mm	Order code
25	P1D-C050MSN0025
40	P1D-C050MSN0040
50	P1D-C050MSN0050
80	P1D-C050MSN0080
100	P1D-C050MSN0100
125	P1D-C050MSN0125
160	P1D-C050MSN0160
200	P1D-C050MSN0200
250	P1D-C050MSN0250
320	P1D-C050MSN0320
400	P1D-C050MSN0400
500	P1D-C050MSN0500

The cylinders are supplied complete with a zinc plated steel piston rod nut.

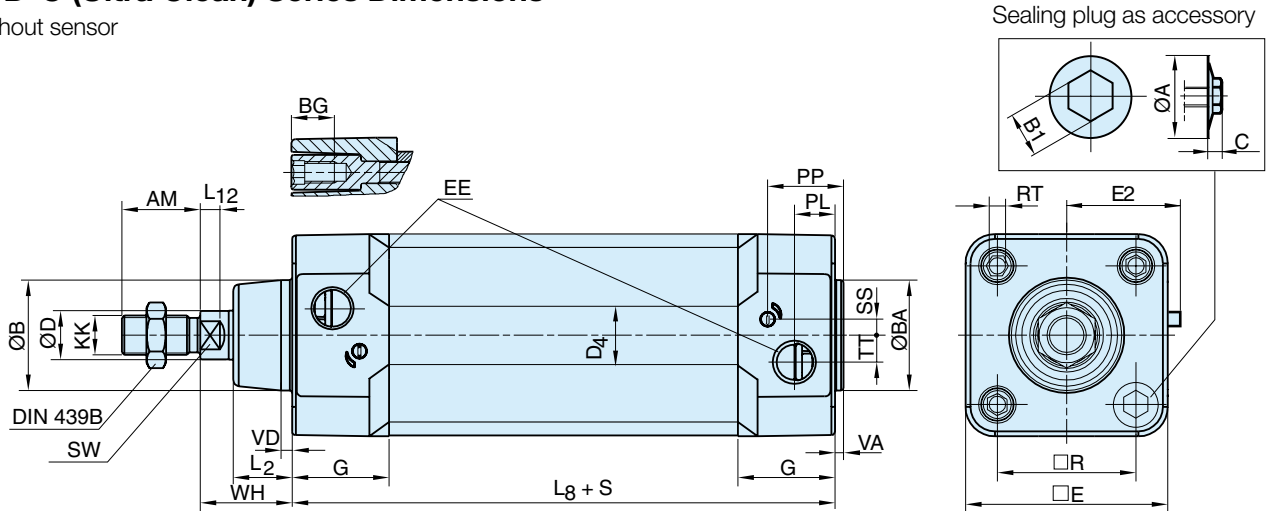
Sensors



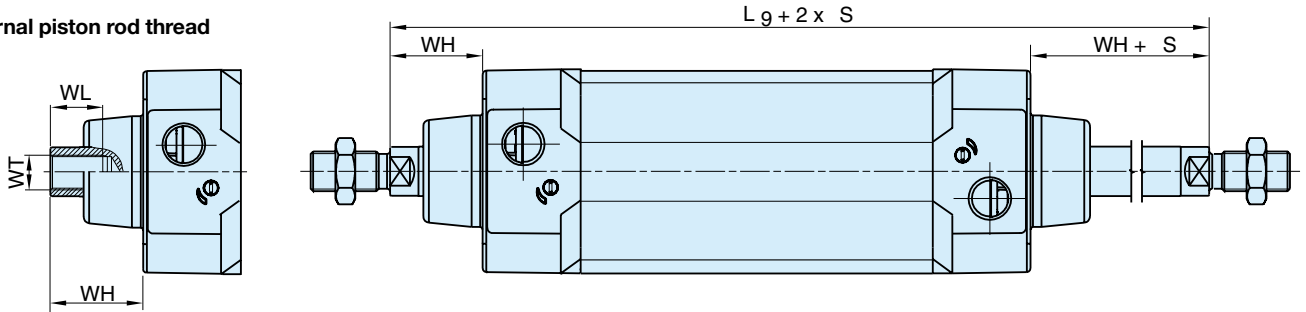
For sensors see page 78.

P1D-C (Ultra Clean) Series Dimensions

Without sensor



Internal piston rod thread



Dimensions

Cylinder bore mm	A mm	AM mm	B mm	B1 mm	BA mm	BG mm	C mm	D mm	D4 mm	E mm	EE mm	G mm	KK mm	L2 mm
32	15	22	30	8	30	16	5,2	12	45,0	50,0	G1/8	28,5	M10x1,25	16,0
40	15	24	35	8	35	16	5,2	16	52,0	57,4	G1/4	33,0	M12x1,25	19,0
50	18,5	32	40	10	40	16	6,7	20	60,7	69,4	G1/4	33,5	M16x1,5	24,0
63	18,5	32	45	10	45	16	6,7	20	71,5	82,4	G3/8	39,5	M16x1,5	24,0
80	21,5	40	45	11	45	17	7,8	25	86,7	99,4	G3/8	39,5	M20x1,5	30,0
100	21,5	40	55	11	55	17	7,8	25	106,7	116,0	G1/2	44,5	M20x1,5	32,4
125	24	54	60	13	60	20	9,3	32	134,0	139,0	G1/2	51,0	M27x2	45,0

Cylinder bore mm	L8 mm	L9 mm	L12 mm	PL mm	PP mm	R mm	RT mm	SS mm	SW mm	TT mm	VA mm	VD mm	WH mm	WL mm	WT mm
32	94	146	6,0	13,0	21,8	32,5	M6	4,0	10	4,5	3,5	4,5	26	21	M8x1
40	105	165	6,5	14,0	21,9	38,0	M6	8,0	13	5,5	3,5	4,5	30	23	M10x1,25
50	106	180	8,0	14,0	23,0	46,5	M8	4,0	17	7,5	3,5	5,0	37	31	M14x1,5
63	121	195	8,0	16,4	27,4	56,5	M8	6,5	17	11,0	3,5	5,0	37	31	M14x1,5
80	128	220	10,0	16,0	30,5	72,0	M10	0	22	15,0	3,5	4,0	46	39	M18x1,5
100	138	240	14,0	18,0	35,8	89,0	M10	0	22	20,0	3,5	4,0	51	39	M18x1,5
125	160	290	18,0	28,0	40,5	110,0	M12	0	27	17,5	5,5	6,0	65	53	M24x2

S=Stroke

Tolerances

Cylinder bore mm	B	BA	L ₈ mm	L ₉ mm	R mm	Stroke tolerance up to stroke 500 mm	Stroke tolerance for stroke over 500 mm
32	d11	d11	±0,4	±2	±0,5	+0,3/+2,0	+0,3/+3,0
40	d11	d11	±0,7	±2	±0,5	+0,3/+2,0	+0,3/+3,0
50	d11	d11	±0,7	±2	±0,6	+0,3/+2,0	+0,3/+3,0
63	d11	d11	±0,8	±2	±0,7	+0,3/+2,0	+0,3/+3,0
80	d11	d11	±0,8	±3	±0,7	+0,3/+2,0	+0,3/+3,0
100	d11	d11	±1,0	±3	±0,7	+0,3/+2,0	+0,3/+3,0
125	d11	d11	±1,0	±3	±1,1	+0,3/+2,0	+0,3/+3,0

Cylinder mountings

**Clean design
centre trunnion MT4
for P1D-C**



Intended for articulated mounting of P1D-C cylinders. The trunnion is factory-fitted in the centre of the cylinder or at an optional location specified by the XV-measure – see the order code key. Combined with pivot bracket for MT4. Max stroke length 700 mm. Longer stroke length on request.

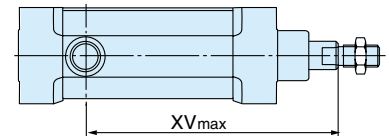
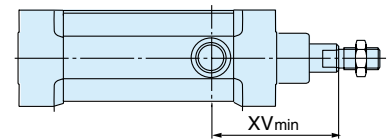
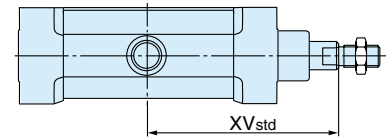
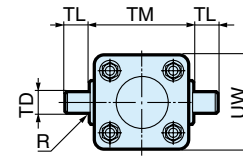
Material:
Trunnion: stainless steel

Trunnion centred

The centre trunnion for P1D-C is ordered with letter D in position 17 (no dimension specified in positions 18-20).

Trunnion with optional location

The centre trunnion for P1D-C is ordered with letter G in position 17 and desired XV-measure (3-digit measure in mm) in positions 18-20.



According to ISO MT4, VDMA 24 562, AFNOR

Cyl. bore mm	TM h14 mm	TL h14 mm	TD e9 mm	R mm	UW mm	X1* mm	XVmin mm	X2 mm	Stroke min mm
32	50	12	12	1,0	52	73,0	69,5	76,0	0
40	63	16	16	1,6	59	82,5	78,0	86,5	0
50	75	16	16	1,6	71	90,0	85,5	94,5	0
63	90	20	20	1,6	84	97,5	103,5	91,0	15
80	110	20	20	1,6	105	110,0	112,5	107,0	10

$XVstd = X1 + \text{Stroke length}/2$, $XVmax = X2 + \text{Stroke length}$

For mountings refer to page 42.

P1D-C Pro Clean Cylinders

This series of clean design cylinders offers two T slots within one face of the tube allowing the possibility to add sensors. The position of the T slots can be specified on any single face using the order code key. These cylinders have a clean design but are intended for applications where sensors are required.

- Available in 32 to 125 mm bores
- PUR seals for long service life
- Corrosion resistant design
- Lubricated with food grade grease
- Available as a sensor version



Operating information

Working pressure: Max 10 bar
Working temperature: -20°C to +80°C

For more information see www.parker.com/euro_pneumatic

P1D-C - Double acting

Ø32mm - (G¹/₈)

Stroke mm	Order code
25	P1D-C032MST0025
40	P1D-C032MST0040
50	P1D-C032MST0050
80	P1D-C032MST0080
100	P1D-C032MST0100
125	P1D-C032MST0125
160	P1D-C032MST0160
200	P1D-C032MST0200
250	P1D-C032MST0250
320	P1D-C032MST0320
400	P1D-C032MST0400
500	P1D-C032MST0500

Ø40mm - (G¹/₄)

Stroke mm	Order code
25	P1D-C040MST0025
40	P1D-C040MST0040
50	P1D-C040MST0050
80	P1D-C040MST0080
100	P1D-C040MST0100
125	P1D-C040MST0125
160	P1D-C040MST0160
200	P1D-C040MST0200
250	P1D-C040MST0250
320	P1D-C040MST0320
400	P1D-C040MST0400
500	P1D-C040MST0500

Ø50mm - (G¹/₄)

Stroke mm	Order code
25	P1D-C050MST0025
40	P1D-C050MST0040
50	P1D-C050MST0050
80	P1D-C050MST0080
100	P1D-C050MST0100
125	P1D-C050MST0125
160	P1D-C050MST0160
200	P1D-C050MST0200
250	P1D-C050MST0250
320	P1D-C050MST0320
400	P1D-C050MST0400
500	P1D-C050MST0500

Ø63mm - (G³/₈)

Stroke mm	Order code
25	P1D-C063MST0025
40	P1D-C063MST0040
50	P1D-C063MST0050
80	P1D-C063MST0080
100	P1D-C063MST0100
125	P1D-C063MST0125
160	P1D-C063MST0160
200	P1D-C063MST0200
250	P1D-C063MST0250
320	P1D-C063MST0320
400	P1D-C063MST0400
500	P1D-C063MST0500

Ø80mm - (G³/₈)

Stroke mm	Order code
25	P1D-C080MST0025
40	P1D-C080MST0040
50	P1D-C080MST0050
80	P1D-C080MST0080
100	P1D-C080MST0100
125	P1D-C080MST0125
160	P1D-C080MST0160
200	P1D-C080MST0200
250	P1D-C080MST0250
320	P1D-C080MST0320
400	P1D-C080MST0400
500	P1D-C080MST0500

Ø100mm - (G¹/₂)

Stroke mm	Order code
25	P1D-C100MST0025
40	P1D-C100MST0040
50	P1D-C100MST0050
80	P1D-C100MST0080
100	P1D-C100MST0100
125	P1D-C100MST0125
160	P1D-C100MST0160
200	P1D-C100MST0200
250	P1D-C100MST0250
320	P1D-C100MST0320
400	P1D-C100MST0400
500	P1D-C100MST0500

Ø125mm - (G¹/₂)

Stroke mm	Order code
25	P1D-C125MST0025
40	P1D-C125MST0040
50	P1D-C125MST0050
80	P1D-C125MST0080
100	P1D-C125MST0100
125	P1D-C125MST0125
160	P1D-C125MST0160
200	P1D-C125MST0200
250	P1D-C125MST0250
320	P1D-C125MST0320
400	P1D-C125MST0400
500	P1D-C125MST0500

For other T slots position, please contact Sales Office.

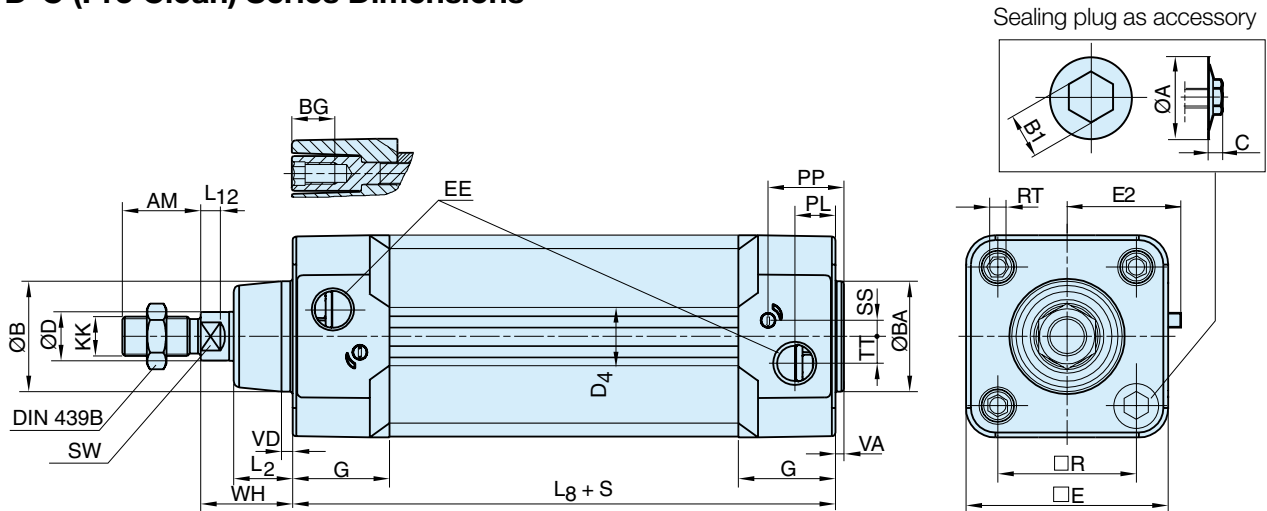
The cylinders are supplied complete with a zinc plated steel piston rod nut.

Sensors

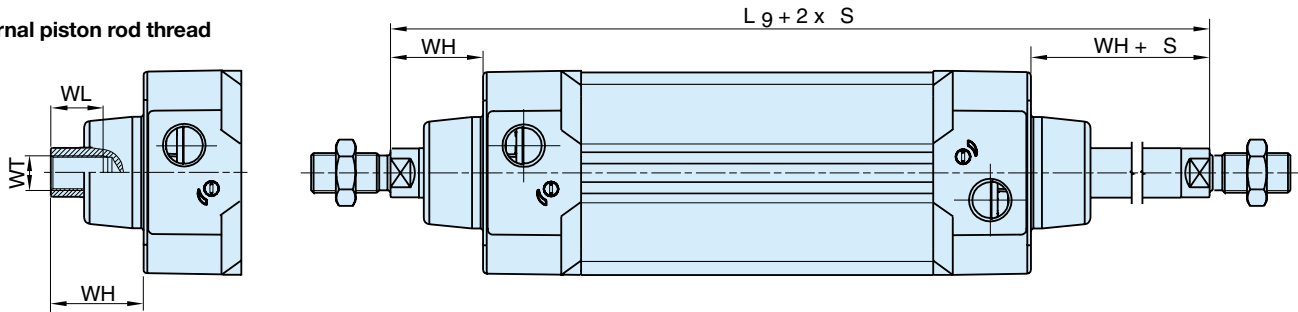


For sensors see page 78.

P1D-C (Pro Clean) Series Dimensions



Internal piston rod thread



Dimensions

Cylinder bore mm	A mm	AM mm	B mm	B1 mm	BA mm	BG mm	C mm	D mm	D4 mm	E mm	EE mm	G mm	KK	L2 mm
32	15	22	30	8	30	16	5,2	12	45,0	50,0	G1/8	28,5	M10x1,25	16,0
40	15	24	35	8	35	16	5,2	16	52,0	57,4	G1/4	33,0	M12x1,25	19,0
50	18,5	32	40	10	40	16	6,7	20	60,7	69,4	G1/4	33,5	M16x1,5	24,0
63	18,5	32	45	10	45	16	6,7	20	71,5	82,4	G3/8	39,5	M16x1,5	24,0
80	21,5	40	45	11	45	17	7,8	25	86,7	99,4	G3/8	39,5	M20x1,5	30,0
100	21,5	40	55	11	55	17	7,8	25	106,7	116,0	G1/2	44,5	M20x1,5	32,4
125	24	54	60	13	60	20	9,3	32	134,0	139,0	G1/2	51,0	M27x2	45,0

Cylinder bore mm	L8 mm	L9 mm	L12 mm	PL mm	PP mm	R mm	RT	SS mm	SW mm	TT mm	VA mm	VD mm	WH mm	WL mm	WT
32	94	146	6,0	13,0	21,8	32,5	M6	4,0	10	4,5	3,5	4,5	26	21	M8x1
40	105	165	6,5	14,0	21,9	38,0	M6	8,0	13	5,5	3,5	4,5	30	23	M10x1,25
50	106	180	8,0	14,0	23,0	46,5	M8	4,0	17	7,5	3,5	5,0	37	31	M14x1,5
63	121	195	8,0	16,4	27,4	56,5	M8	6,5	17	11,0	3,5	5,0	37	31	M14x1,5
80	128	220	10,0	16,0	30,5	72,0	M10	0	22	15,0	3,5	4,0	46	39	M18x1,5
100	138	240	14,0	18,0	35,8	89,0	M10	0	22	20,0	3,5	4,0	51	39	M18x1,5
125	160	290	18,0	28,0	40,5	110,0	M12	0	27	17,5	5,5	6,0	65	53	M24x2

S=Stroke

Tolerances

Cylinder bore mm	B	BA	L ₃ mm	L ₉ mm	R mm	Stroke tolerance up to stroke 500 mm	Stroke tolerance for stroke over 500 mm
32	d11	d11	±0,4	±2	±0,5	+0,3/+2,0	+0,3/+3,0
40	d11	d11	±0,7	±2	±0,5	+0,3/+2,0	+0,3/+3,0
50	d11	d11	±0,7	±2	±0,6	+0,3/+2,0	+0,3/+3,0
63	d11	d11	±0,8	±2	±0,7	+0,3/+2,0	+0,3/+3,0
80	d11	d11	±0,8	±3	±0,7	+0,3/+2,0	+0,3/+3,0
100	d11	d11	±1,0	±3	±0,7	+0,3/+2,0	+0,3/+3,0
125	d11	d11	±1,0	±3	±1,1	+0,3/+2,0	+0,3/+3,0

Design Variants for P1D-C

Alternative piston rod materials

All P1D cylinders in all bores, Ø32-125 mm, can be ordered with the following piston rod materials:

- Steel, chromed-plated
- Stainless steel, roller polished (standard)
- Acid-proof steel, roller polished
- Stainless steel, chromed-plated



Through piston rod

All P1D cylinders in all bores, Ø32-125 mm, are available with a through rod. Cylinders with a through rod can take higher side forces thanks to the double support for the piston rod.



Operation with dry piston rod

In many applications, primarily in the foodstuffs industry, the cylinders are cleaned frequently. This means that the film of grease on the piston rod is washed off, which puts special demands on the materials and the design of the piston rod seal system (scraper ring and piston rod seal). Parker Hannifin has developed a piston rod seal system specially designed for dry rod operation. This is available as options for this type of application, for all bores of P1D cylinders. The system has a specially designed L-shaped seal and the material is self-lubricating, high molecular weight plastics (HDPE) – the same system as in our P1S stainless steel cylinders.



Alternative scraper materials

For use in applications where chemicals may affect the scraper in the front end cover, an option with a scraper in FPM rubber for better chemical resistance is available.

On request there is also a scraper in food approved polyurethane material.



P1D-T Pneumatic Cylinders

According to
ISO 15552



The P1D-T range of cylinders is intended for use in a wide range of applications. Careful design and high quality manufacture throughout ensure long service life and optimum economy. Mounting dimensions fully in accordance with ISO 15552 (ISO 6431 and CETOP RP52P) greatly simplifies installation and world-wide interchangeability.

- Bore sizes Ø160 - Ø320mm
- Stroke lengths 10mm - 2000mm
- Magnetic piston as standard
- Adjustable cushioning as standard
- High temperature versions
- ATEX version
- Special version on request



P1D-T Large Bore Cylinders

The P1D-T range of tie rod cylinders is intended for use in a wide range of applications. Careful design and high quality manufacture throughout ensure long service life and optimum economy. Mounting dimensions fully in accordance with ISO 15552 (ISO 6431 and CETOP RP52P) greatly simplifies installation and world-wide interchangeability.

- Bore sizes Ø160 - Ø320mm
- Stroke lengths 10mm - 2000mm
- Magnetic piston as standard
- Adjustable cushioning as standard
- High temperature versions
- Special version on request

 **For ATEX specific products contact Sales Office**



Operating information

Working pressure:	Max 10 bar
Seals / Temperature options	
Standard:	-20°C to +80°C
High temperature:	-10°C to +140°C
ATEX approval:	CE Ex IIGD c T4 120°C

For more information see www.parker.com/euro_pneumatic

P1D-T - Double acting

Ø160mm

Stroke mm	Order code
50	P1D-T160MS-0050
80	P1D-T160MS-0080
100	P1D-T160MS-0100
125	P1D-T160MS-0125
160	P1D-T160MS-0160
200	P1D-T160MS-0200
250	P1D-T160MS-0250
320	P1D-T160MS-0320
400	P1D-T160MS-0400
500	P1D-T160MS-0500
800	P1D-T160MS-0800
1000	P1D-T160MS-1000

Ø200mm

Stroke mm	Order code
50	P1D-T200MS-0050
80	P1D-T200MS-0080
100	P1D-T200MS-0100
125	P1D-T200MS-0125
160	P1D-T200MS-0160
200	P1D-T200MS-0200
250	P1D-T200MS-0250
320	P1D-T200MS-0320
400	P1D-T200MS-0400
500	P1D-T200MS-0500
800	P1D-T200MS-0800
1000	P1D-T200MS-1000

Ø250mm

Stroke mm	Order code
50	P1D-T250MS-0050
80	P1D-T250MS-0080
100	P1D-T250MS-0100
125	P1D-T250MS-0125
160	P1D-T250MS-0160
200	P1D-T250MS-0200
250	P1D-T250MS-0250
320	P1D-T250MS-0320
400	P1D-T250MS-0400
500	P1D-T250MS-0500
800	P1D-T250MS-0800
1000	P1D-T250MS-1000

Ø320mm

Stroke mm	Order code
50	P1D-T320MS-0050
80	P1D-T320MS-0080
100	P1D-T320MS-0100
125	P1D-T320MS-0125
160	P1D-T320MS-0160
200	P1D-T320MS-0200
250	P1D-T320MS-0250
320	P1D-T320MS-0320
400	P1D-T320MS-0400
500	P1D-T320MS-0500
800	P1D-T320MS-0800
1000	P1D-T320MS-1000

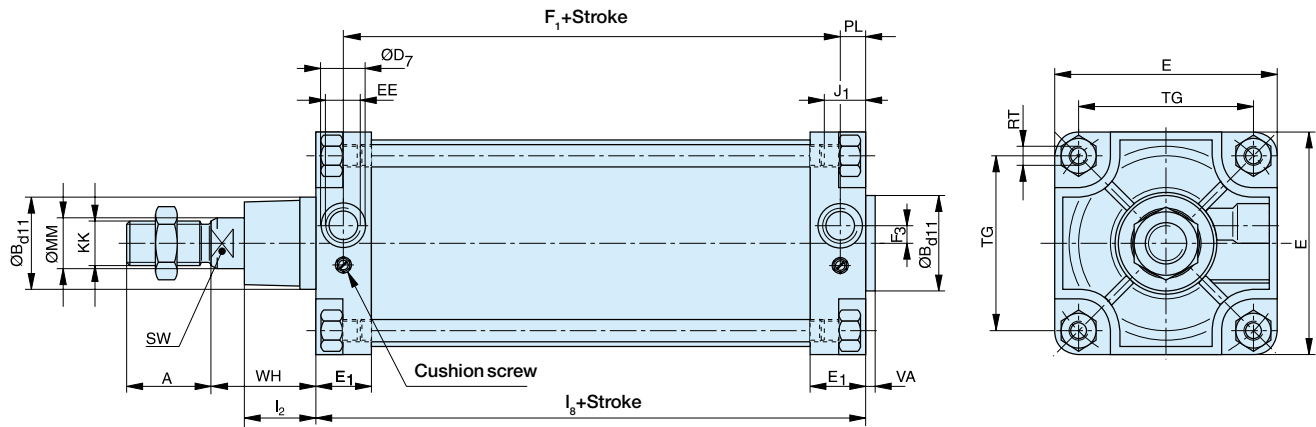
The cylinders are supplied complete with a zinc plated steel piston rod nut.

Sensors



For sensors see page 78.

P1D-T Series Dimensions



Note: for bore size 320mm, front air port in on the bottom of the axis of the cylinder and the cushioning screw on the top

Dimension Table (mm)

Cyl. Ø	A	ØB _{d11}	ØD ₇	E	E ₁	F ₁ + Stroke	F ₃	J ₁ max.	I ₂	I ₈ + Stroke	EE	KK	MM	PL	RT	SW	TG	VA	WH
160	72	65	33	180	45	130	11	23	50	180	G3/4	M36x2	40	25	M16	36	140	6	80
200	72	75	33	220	45	130	15	23	60	180	G3/4	M36x2	40	25	M16	36	175	6	95
250	84	90	40	280	64	136	21	27	70	200	G1	M42x2	50	32	M20	46	220	10	105
320	96	110	-	340	56	164	-20*/20	28	89,5	220	G1	M48x2	63	28	M24	55	270	10	120

Weight (mass) kg

Cylinder version	Cylinder Diameter							
	Ø160		Ø200		Ø250		Ø320	
	1*	2*	1*	2*	1*	2*	1*	2*
Standard Type P1D-T	12.500	2.050	20.000	2.200	35.000	4.000	66.000	6.000

* 1 = Weight for cylinder with 100 mm stroke
 2 = Weight for further 100 mm stroke length

Tolerances

Cylinder bore mm	L ₈ mm	TG mm	Stroke tolerance up to stroke 500 mm	Stroke tolerance for stroke over 500 mm
160	±1,1	±1,1	+0,3/+2,0	+0,3/+3,0
200	±1,6	±1,1	+0,3/+2,0	+0,3/+3,0
250	±1,6	±1,5	+0,3/+2,0	+0,3/+3,0
320	±2,2	±1,5	+0,3/+2,0	+0,3/+3,0

Cylinder mountings

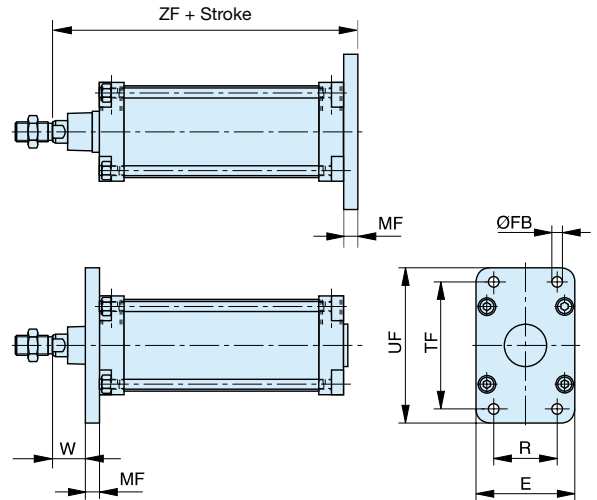
Flange MF1/MF2



Intended for fixed mounting of cylinder. Flange can be fitted to front or rear end cover of cylinder.

Materials
 Flange: Passivated steel
 Mounting screws acc. to DIN 6912:
 Zinc-plated steel 8.8

Supplied complete with mounting screws for attachment to cylinder.



According to ISO MF1/MF2, VDMA 24 562, AFNOR

Cyl. Ø mm	E mm	R mm	W mm	ØFB mm	MF mm	TF mm	UF mm	ZF mm	Weight kg	Order code
160	180	115	60	18	20	230	275	280	7.2	PD23410
200	220	135	70	22	25	270	315	300	12.2	PD24924
250	280	165	80	26	25	330	380	330	19.2	PD25761
320	340	200	90	33	30	400	470	370	38.0	KL9140

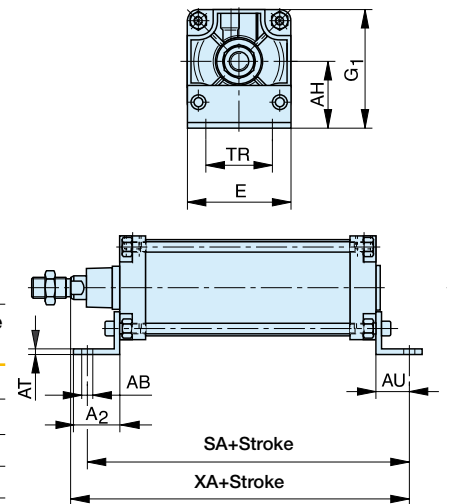
Foot brackets MS1



Intended for fixed mounting of cylinder. Foot bracket can be fitted to front and rear end covers of cylinder.

Materials
 Foot bracket: Passivated steel
 Mounting screws acc. to DIN 912: Zinc-plated steel 8.8

Supplied in pairs with mounting screws for attachment to cylinder.



According to ISO MS1, VDMA 24 562, AFNOR

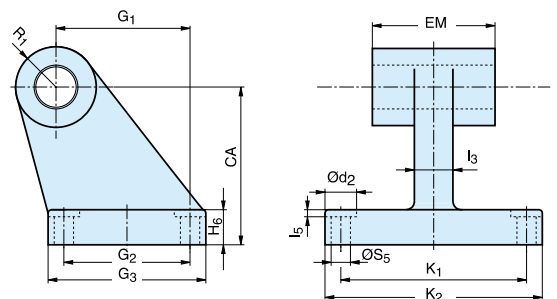
Cyl. Ø mm	A ₂ mm	E mm	G ₁ mm	AB mm	AH mm	AT mm	AU mm	SA + stroke	TR mm	XA + stroke	Weight kg	Order code
160	80	180	205	18	115	8	60	300	115	320	3.8	PD22027
200	100	220	245	22	135	9	70	320	135	345	5.0	PD24792
250	110	280	305	26	165	10	75	350	165	380	9.7	PD25758
320	125	340	370	33	200	23	85	390	200	470	17.0	KL9139

Pivot bracket with rigid bearing AB7



Intended for flexible mounting of cylinder. The pivot bracket can be combined with clevis bracket MP2.

Materials
 Pivot bracket: Ø 160-200: cast aluminium
 Ø 250-320: cast steel



According to CETOP RP 107 P, VDMA 24 562, AFNOR

Cyl. Ø mm	Ød ₂ mm	l ₃ mm	l ₅ mm	G ₁ mm	G ₂ mm	G ₃ mm	H ₆ mm	K ₁ mm	K ₂ mm	R ₁ mm	ØS ₅ mm	CA mm	EM mm	Weight kg	Order code
160	20	36	4.0	97	88	126	25	118	156	31.5	14.0	115	90	6.5	P1C-4SMDB
200	26	40	4.0	105	90	130	30	122	162	31.5	18.0	135	90	8.0	P1C-4TMDB
250	33	45	4.5	128	110	160	35	150	200	40	22.0	165	110	13.5	P1C-4UMDC
320	-	55	-	150	122	186	40	170	234	45	26.0	200	120	21.9	P1C-4VMDC

Cylinder mountings

Swivel eye bracket MP6

Intended for use together with clevis bracket GA

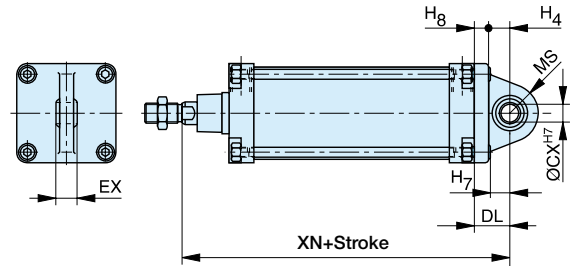


Material
 Bracket: Cast aluminium
 Swivel bearing acc. to DIN 648K: Hardened steel

Supplied complete with mounting screws for attachment to cylinder.

According to VDMA 24 562, AFNOR

Cyl. Ø mm	H ₄ mm	H ₇ mm	H ₈ mm	Ø CX ^{H7} mm	DL mm	EX mm	MS mm	XN + stroke mm	Weight kg	Order code
160	35	28.5	20	30	55	37	48	315	2.6	PD23850
200	36	33	24	35	60	43	47	335	11.3	PD25766
250	42	39	28	40	70	49	53	375	19.0	PD25760
320	50	26	30	50	80	60	63	420	30.3	KL9136



Clevis bracket MP2

Intended for flexible mounting of cylinder. Clevis bracket MP2 can be combined with clevis bracket MP4.

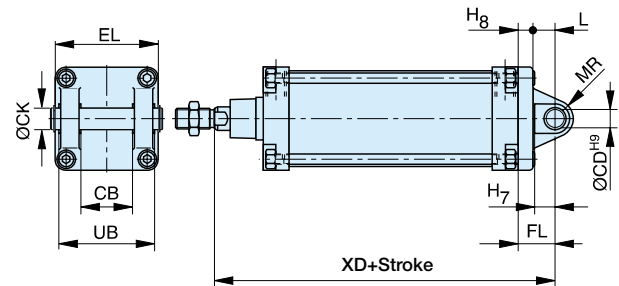


Materials
 Clevis bracket: Cast aluminium
 Pin: Hardened steel
 Circlips according to DIN 471: Spring steel
 Mounting screws acc. to DIN 912:
 Zinc-plated steel 8.8

Supplied complete with mounting screws for attachment to cylinder

According to ISO MP2, VDMA 24 562, AFNOR

Cyl. Ø mm	H ₇ mm	H ₈ mm	L mm	EL mm	CD ^{H9} mm	CB mm	FL mm	MR mm	UB mm	XD + stroke mm	CK ^{H9} mm	Weight kg	Order code
160	28.5	20	35	172	30	90	55	30	170	315	30	2.6	P1C-4SMTB
200	28.5	25	35	172	30	90	60	31	170	335	30	4.1	P1C-4TMTB
250	25.0	25	45	202	40	110	70	41	200	375	40	7.1	P1C-4UMTB
320	26.0	30	50	222	45	120	80	54	220	420	45	31.0	P1C-4VMTB



Clevis bracket MP4

Intended for flexible mounting of cylinder. Clevis bracket MP4 can be combined with clevis bracket MP2.

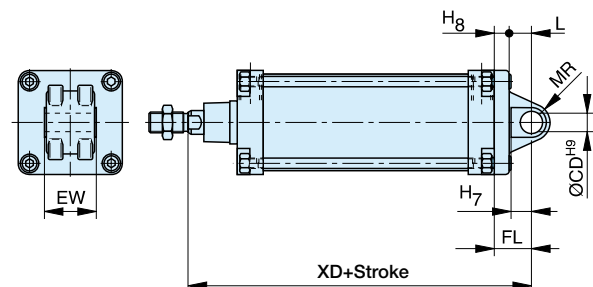


Materials
 Clevis bracket: Cast aluminium
 Mounting screws acc. to DIN 912: Zinc-plated steel 8.8

Supplied complete with mounting screws for attachment to cylinder.

According to ISO MP4, VDMA 24 562, AFNOR

Cyl. Ø mm	H ₇ mm	H ₈ mm	L mm	CD ^{H9} mm	EW mm	FL mm	MR mm	XD + stroke mm	Weight kg	Order code
160	28.5	20	35	30	90	55	30	315	2.7	PD22628
200	28.5	25	35	30	90	60	31	335	4.2	PD24999
250	25.0	25	45	40	110	70	41	375	15.7	PD25759
320	26.0	30	50	45	120	80	46	420	33.0	KL9135

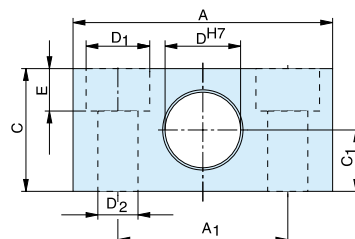


Cylinder mountings

Pivot brackets AT4 for MT4 Intended for use together with central trunnion MT4.

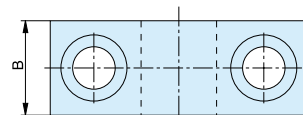


Material
 Pivot bracket: Ø160-250 mm – Anodized aluminium
 Ø 320 mm – steel
 Bearing acc. to DIN 1850 C
 Supplied in pairs.



According to ISO, VDMA 24 562, AFNOR

Cyl. Ø	A	A ₁	B	C	C ₁	ØD ^{H7}	ØD ₁	ØD ₂	E	Weight	Order code
mm	mm	mm	mm	mm	mm	mm	mm	mm	mm	kg	
160	92	60	35	60	30	32	26	18	17.0	0.35	PD24425
200	92	60	35	60	30	32	26	18	17.0	0.35	PD24425
250	140	90	40	70	35	40	33	22	21.5	0.50	PD25763
320	150	100	60	80	40	50	40	26	21.5	6.70	KL9130



Centre trunnion MT4 for P1D-T



Intended for articulated mounting of cylinder. The trunnion is factory-fitted in the centre of the cylinder or at an optional location specified by the XV-measure - Combined with pivot bracket for MT4.

Material:
 Trunnion: Zinc plated steel

Trunnion centred

The central trunnion for the P1D-T is ordered with letter D in position 17 (no dimension specified in positions 18-20). e.g. P1D-T160MS-0500NDNNN

Trunnion with optional location

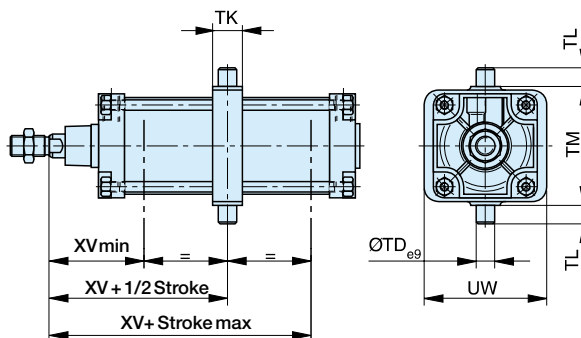
The central trunnion for the P1D-T is ordered with letter G in position 17 and desired XV-measure (3-digit measure in mm) in positions 18-20. e.g. P1D-T160MS-0500NG300

Material: nodular graphite cast iron, passivated steel

According to ISO MT4, VDMA 24 562, AFNOR

Cyl. Ø	TD _{e9}	TK	TL	TM	UW	XV	XV _{min}	XV _{max}	Weight	Order code
mm	mm	mm	mm	mm	mm	mm	mm	mm	kg	
160	32	45	32	200	210	150	170	190	6.1	*
200	32	50	32	250	245	165	185	205	8.1	*
250	40	55	40	320	320	195	205	210	14.8	*
320	50	65	50	400	350	210	230	250	16.0	*

* Please consult Sales Office.



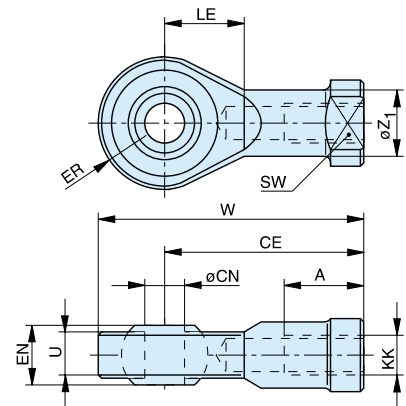
Piston rod mountings

Swivel rod eye AP6



Intended for articulated mounting of the cylinder.
 Maintenance-free PTFE.

Material:
 Swivel rod eye, nut: galvanized steel.
 Swivel bearing according to DIN 648K: Hardened steel.



ISO 8139

Cyl. Ø mm	CNH ⁷ mm	LE mm	U mm	EN mm	ER mm	W mm	A mm	CE mm	KK mm	ØZ ₁ mm	SW mm	Weight kg	Order code
							max.	max.	min.				
160	35	41	28	43	40	165	56	125	M36x2	46	50	1.6	KY6863
200	35	41	28	43	40	165	56	125	M36x2	46	50	1.6	KY6863
250	40	46	33	49	45	187	60	142	M42x2	53	55	3.5	KY6864
320	50	59	45	60	58	218	65	160	M48x2	65	65	5.2	KL9132

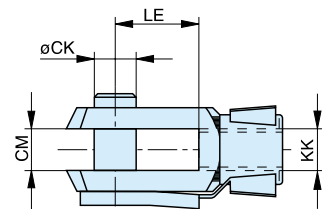
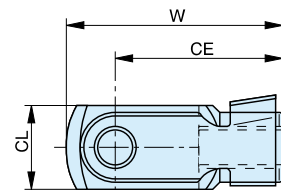
Clevis AP2



Intended for articulated mounting of the cylinder.

Material:
 Clevis and clip galvanized steel.
 Pin: Hardened steel

Supplied complete with axle.



Cyl. Ø mm	ØCK mm	LE mm	CM mm	CL mm	W mm	CE mm	KK mm	Weight kg	Order code
						max.			
160	35	72	36	70	188	144	M36x2	2.9	KY6867
200	35	72	36	70	188	144	M36x2	2.9	KY6867
250	40	84	40	85	245	168	M42x2	6.0	KY6868
320	50	96	50	90	250	192	M48x2	7.9	KL9131

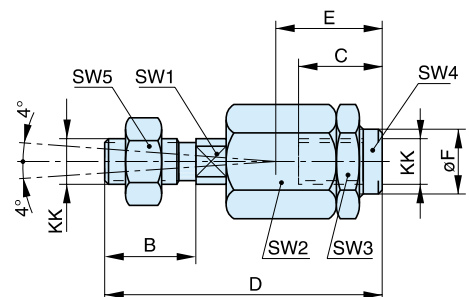
Flexo coupling PM5



Flexo coupling for articulated mounting of piston rod.
 Flexo fitting is intended to take up axial angle errors within a range of ±4°.

Material
 Flexo coupling, nut: Zinc-plated steel
 Socket: Hardened steel

Supplied complete with galvanized adjustment nut.



Cyl. Ø mm	KK mm	B mm	C mm	D mm	E mm	ØF mm	SW1 mm	SW2 mm	SW3 mm	SW4 mm	SW5 mm	Weight kg	Order code
160	M36x2	72	50	241	110	56	36	75	75	50	55	5.1	KY1139
200	M36x2	72	50	241	110	56	36	75	75	50	55	5.1	KY1139
250	M42x2	82	88	271	120	-	36	80	80	60	65	7.9	KY1140
320	M48x2	82	88	271	120	-	42	80	80	60	75	7.9	KL9133

	Flange MF1/MF2	Foot brackets MS1	Pivot bracket with rigid bearing AB7	Swivel eye bracket MP6	Clevis bracket MP2
Ø 160	PD23410	PD22027	P1C-4SMDB	PD23850	P1C-4SMTB
Ø 200	PD24924	PD24792	P1C-4TMDB	PD25766	P1C-4TMTB
Ø 250	PD25761	PD25758	P1C-4UMDC	PD25760	P1C-4UMTB
Ø 320	KL9140	KL9139	P1C-4VMDC	KL9136	P1C-4VMTB

	Clevis bracket MP4	Pivot brackets AT4 for MT4	Swivel rod eye AP6	Clevis AP2	Flexo coupling PM5
Ø 160	PD22628	PD24425	KY6863	KY6867	KY1139
Ø 200	PD24999	PD24425	KY6863	KY6867	KY1139
Ø 250	PD25759	PD25763	KY6864	KY6868	KY1140
Ø 320	KL9135	KL9130	KL9132	KL9131	KL9133



P1D-X Pneumatic Cylinders

According to
ISO 15552



High and Low Temperature Cylinders

P1D-X series contains cylinder versions for high and low temperature. These versions have material and sealing systems specially designed for their particular temperature ranges. End covers and pistons are made entirely from metal, to give optimum function at **high** or **low** temperature in combination with seals made from specially tested materials and special grease.

- Conforms to ISO 15552.
- Bore 32-125 mm.
- Double acting.
- Stainless steel piston rod.
- Robust and corrosion resistant.
- Adjustable air cushioning.
- Retained stainless steel cushioning screws.
- Wide range of mountings and drop-in sensors



P1D-X High and Low Temperature Cylinders

For extreme conditions these cylinders for high and low temperatures have materials and sealing systems specially designed for their particular temperature ranges. End covers and pistons are made entirely from metal, to give optimum function at **high** or **low** temperature in combination with seals made from specially tested materials and special grease.



- Conforms to ISO 15552.
- Bore 32-125 mm.
- Double acting.
- Stainless steel piston rod.
- Robust and corrosion resistant.
- Adjustable air cushioning.
- Retained stainless steel cushioning screws.
- Wide range of mountings and drop-in sensors

Operating information

Working pressure:	Max 10 bar
Working temperature:	
High temp. version	-10°C to +150°C
Low temp. version	-40°C to +80°C

For more information see www.parker.com/euro_pneumatic

P1D-X - Double acting - High temperature

Ø32mm - (G¹/₈)

Stroke mm	Order code
25	P1D-X032MF-0025
40	P1D-X032MF-0040
50	P1D-X032MF-0050
80	P1D-X032MF-0080
100	P1D-X032MF-0100
125	P1D-X032MF-0125
160	P1D-X032MF-0160
200	P1D-X032MF-0200
250	P1D-X032MF-0250
320	P1D-X032MF-0320
400	P1D-X032MF-0400
500	P1D-X032MF-0500

Ø40mm - (G¹/₄)

Stroke mm	Order code
25	P1D-X040MF-0025
40	P1D-X040MF-0040
50	P1D-X040MF-0050
80	P1D-X040MF-0080
100	P1D-X040MF-0100
125	P1D-X040MF-0125
160	P1D-X040MF-0160
200	P1D-X040MF-0200
250	P1D-X040MF-0250
320	P1D-X040MF-0320
400	P1D-X040MF-0400
500	P1D-X040MF-0500

Ø50mm - (G¹/₄)

Stroke mm	Order code
25	P1D-X050MF-0025
40	P1D-X050MF-0040
50	P1D-X050MF-0050
80	P1D-X050MF-0080
100	P1D-X050MF-0100
125	P1D-X050MF-0125
160	P1D-X050MF-0160
200	P1D-X050MF-0200
250	P1D-X050MF-0250
320	P1D-X050MF-0320
400	P1D-X050MF-0400
500	P1D-X050MF-0500

Ø63mm - (G³/₈)

Stroke mm	Order code
25	P1D-X063MF-0025
40	P1D-X063MF-0040
50	P1D-X063MF-0050
80	P1D-X063MF-0080
100	P1D-X063MF-0100
125	P1D-X063MF-0125
160	P1D-X063MF-0160
200	P1D-X063MF-0200
250	P1D-X063MF-0250
320	P1D-X063MF-0320
400	P1D-X063MF-0400
500	P1D-X063MF-0500

Ø80mm - (G³/₈)

Stroke mm	Order code
25	P1D-X080MF-0025
40	P1D-X080MF-0040
50	P1D-X080MF-0050
80	P1D-X080MF-0080
100	P1D-X080MF-0100
125	P1D-X080MF-0125
160	P1D-X080MF-0160
200	P1D-X080MF-0200
250	P1D-X080MF-0250
320	P1D-X080MF-0320
400	P1D-X080MF-0400
500	P1D-X080MF-0500

Ø100mm - (G¹/₂)

Stroke mm	Order code
25	P1D-X100MF-0025
40	P1D-X100MF-0040
50	P1D-X100MF-0050
80	P1D-X100MF-0080
100	P1D-X100MF-0100
125	P1D-X100MF-0125
160	P1D-X100MF-0160
200	P1D-X100MF-0200
250	P1D-X100MF-0250
320	P1D-X100MF-0320
400	P1D-X100MF-0400
500	P1D-X100MF-0500

Ø125mm - (G¹/₂)

Stroke mm	Order code
25	P1D-X125MF-0025
40	P1D-X125MF-0040
50	P1D-X125MF-0050
80	P1D-X125MF-0080
100	P1D-X125MF-0100
125	P1D-X125MF-0125
160	P1D-X125MF-0160
200	P1D-X125MF-0200
250	P1D-X125MF-0250
320	P1D-X125MF-0320
400	P1D-X125MF-0400
500	P1D-X125MF-0500

The cylinders are supplied complete with a zinc plated steel piston rod nut.

P1D-X High Temperature

Certain restrictions apply when choosing sensors due to the temperature range.

High temperature cylinders cannot be fitted with sensors. (the magnetic field strength in high temperatures is too low to ensure correct reliable sensor function).

P1D-X - Double acting - Low temperature

Ø32mm - (G^{1/8})

Stroke mm	Order code
25	P1D-X032ML-0025
40	P1D-X032ML-0040
50	P1D-X032ML-0050
80	P1D-X032ML-0080
100	P1D-X032ML-0100
125	P1D-X032ML-0125
160	P1D-X032ML-0160
200	P1D-X032ML-0200
250	P1D-X032ML-0250
320	P1D-X032ML-0320
400	P1D-X032ML-0400
500	P1D-X032ML-0500

Ø40mm - (G^{1/4})

Stroke mm	Order code
25	P1D-X040ML-0025
40	P1D-X040ML-0040
50	P1D-X040ML-0050
80	P1D-X040ML-0080
100	P1D-X040ML-0100
125	P1D-X040ML-0125
160	P1D-X040ML-0160
200	P1D-X040ML-0200
250	P1D-X040ML-0250
320	P1D-X040ML-0320
400	P1D-X040ML-0400
500	P1D-X040ML-0500

Ø50mm - (G^{1/4})

Stroke mm	Order code
25	P1D-X050ML-0025
40	P1D-X050ML-0040
50	P1D-X050ML-0050
80	P1D-X050ML-0080
100	P1D-X050ML-0100
125	P1D-X050ML-0125
160	P1D-X050ML-0160
200	P1D-X050ML-0200
250	P1D-X050ML-0250
320	P1D-X050ML-0320
400	P1D-X050ML-0400
500	P1D-X050ML-0500

Ø63mm - (G^{3/8})

Stroke mm	Order code
25	P1D-X063ML-0025
40	P1D-X063ML-0040
50	P1D-X063ML-0050
80	P1D-X063ML-0080
100	P1D-X063ML-0100
125	P1D-X063ML-0125
160	P1D-X063ML-0160
200	P1D-X063ML-0200
250	P1D-X063ML-0250
320	P1D-X063ML-0320
400	P1D-X063ML-0400
500	P1D-X063ML-0500

Ø80mm - (G^{3/4})

Stroke mm	Order code
25	P1D-X080ML-0025
40	P1D-X080ML-0040
50	P1D-X080ML-0050
80	P1D-X080ML-0080
100	P1D-X080ML-0100
125	P1D-X080ML-0125
160	P1D-X080ML-0160
200	P1D-X080ML-0200
250	P1D-X080ML-0250
320	P1D-X080ML-0320
400	P1D-X080ML-0400
500	P1D-X080ML-0500

Ø100mm - (G^{1/2})

Stroke mm	Order code
25	P1D-X100ML-0025
40	P1D-X100ML-0040
50	P1D-X100ML-0050
80	P1D-X100ML-0080
100	P1D-X100ML-0100
125	P1D-X100ML-0125
160	P1D-X100ML-0160
200	P1D-X100ML-0200
250	P1D-X100ML-0250
320	P1D-X100ML-0320
400	P1D-X100ML-0400
500	P1D-X100ML-0500

Ø125mm - (G^{1/2})

Stroke mm	Order code
25	P1D-X125ML-0025
40	P1D-X125ML-0040
50	P1D-X125ML-0050
80	P1D-X125ML-0080
100	P1D-X125ML-0100
125	P1D-X125ML-0125
160	P1D-X125ML-0160
200	P1D-X125ML-0200
250	P1D-X125ML-0250
320	P1D-X125ML-0320
400	P1D-X125ML-0400
500	P1D-X125ML-0500

The cylinders are supplied complete with a zinc plated steel piston rod nut.

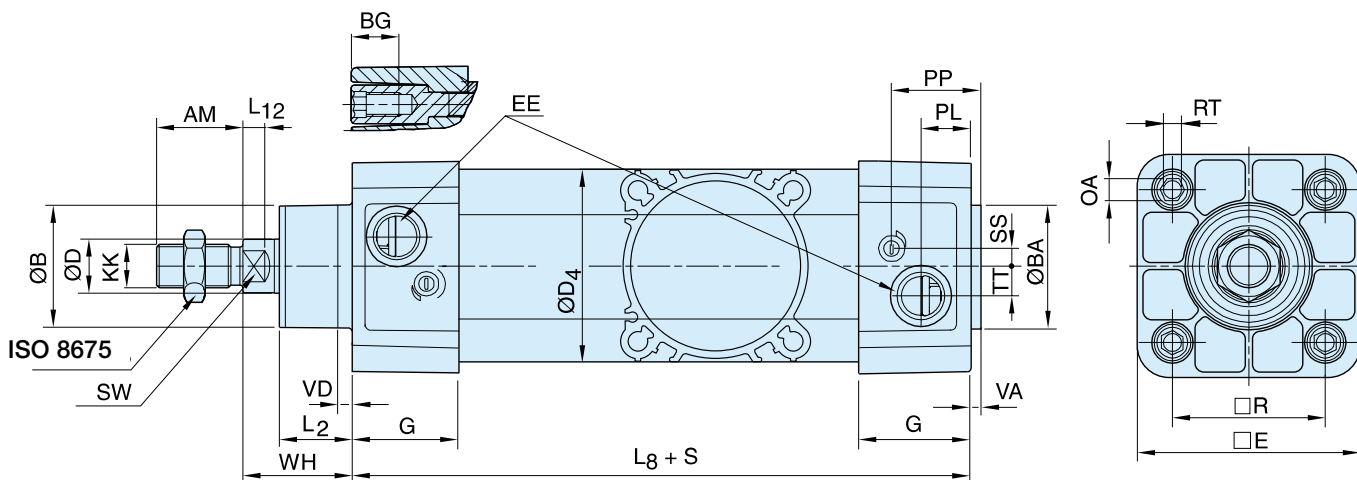
Sensors



For sensors see page 78.

The standard low temperature P1D-X version has a magnetic ring in the piston for proximity sensing but please note that these sensors are normally specified for full performance down to -25°C only.

P1D-X Series Dimensions



Dimensions

Cylinder bore mm	AM mm	B mm	BA mm	BG mm	D mm	D4 mm	E mm	EE mm	G mm	KK	L2 mm	L8 mm	L12 mm
32	22	30	30	16	12	45,0	48,0	G1/8	28,5	M10x1,25	16,8	94	6,0
40	24	35	35	16	16	52,0	53,5	G1/4	33,0	M12x1,25	19,0	105	6,5
50	32	40	40	16	20	60,7	65,2	G1/4	33,5	M16x1,5	24,0	106	8,0
63	32	45	45	16	20	71,5	75,5	G3/8	39,5	M16x1,5	24,3	121	8,0
80	40	45	45	17	25	86,7	95,0	G3/8	39,5	M20x1,5	30,0	128	10,0
100	40	55	55	17	25	106,7	114,0	G1/2	44,5	M20x1,5	34,0	138	14,0
125	54	60	60	20	32	134,0	139,0	G1/2	51,0	M27x2	45,0	160	18,0

Cylinder bore mm	OA mm	PL mm	PP mm	R mm	RT	SS mm	SW mm	TT mm	VA mm	VD mm	WH mm
32	6,0	14,0	24,2	32,5	M6	5,5	10	4,2	3,5	4,5	26
40	6,0	16,0	27,5	38,0	M6	8,0	13	5,5	3,5	4,5	30
50	8,0	14,0	29,3	46,5	M8	9,0	17	7,5	3,5	4,5	37
63	8,0	16,6	30,8	56,5	M8	6,5	17	10,0	3,5	4,5	37
80	6,0	16,8	33,5	72,0	M10	0	22	11,5	3,5	4,5	46
100	6,0	20,5	37,5	89,0	M10	0	22	14,5	3,5	4,5	51
125	8,0	23,3	45,8	110,0	M12	0	27	15,0	5,5	6,5	65

S=Stroke

Tolerances

Cylinder bore mm	B	BA	L ₃ mm	L ₉ mm	R mm	Stroke tolerance up to stroke 500 mm	Stroke tolerance for stroke over 500 mm
32	d11	d11	±0,4	±2	±0,5	+0,3/+2,0	+0,3/+3,0
40	d11	d11	±0,7	±2	±0,5	+0,3/+2,0	+0,3/+3,0
50	d11	d11	±0,7	±2	±0,6	+0,3/+2,0	+0,3/+3,0
63	d11	d11	±0,8	±2	±0,7	+0,3/+2,0	+0,3/+3,0
80	d11	d11	±0,8	±3	±0,7	+0,3/+2,0	+0,3/+3,0
100	d11	d11	±1,0	±3	±0,7	+0,3/+2,0	+0,3/+3,0
125	d11	d11	±1,0	±3	±1,1	+0,3/+2,0	+0,3/+3,0

For mountings refer to page 42.

P1D-L Rod Locking Cylinders

P1D-L is a series of extremely compact rod lock cylinders for demanding applications. This version allows the piston rod to be locked in any position but can also be used as a brake (limits apply) thanks to the rigid design. With helical grooves on the precision clamping sleeves the locking function allows for applications where the piston rod is exposed to liquids and contamination.

- Available in 32 to 125 mm bores
- PUR seals for long service life
- Drop-in sensors
- Corrosion resistant design
- Magnetic piston as standard
- Full range of ISO mountings
- Lubricated with food grade grease



Operating information

Working pressure:	Max 10 bar
Working temperature:	-20°C to +80°C
Release pressure ¹⁾	Min 4 bar
ATEX approval:	CE Ex IIGD c T4 120°C

¹⁾ Signal pressure to inlet port of lock unit

For more information see www.parker.com/euro_pneumatic

P1D-L Standard - Double acting

Ø32mm - (G¹/₈)

Stroke mm	Order code
25	P1D-L032MC-0025
40	P1D-L032MC-0040
50	P1D-L032MC-0050
80	P1D-L032MC-0080
100	P1D-L032MC-0100
125	P1D-L032MC-0125
160	P1D-L032MC-0160
200	P1D-L032MC-0200
250	P1D-L032MC-0250
320	P1D-L032MC-0320
400	P1D-L032MC-0400
500	P1D-L032MC-0500

Ø40mm - (G¹/₄)

Stroke mm	Order code
25	P1D-L040MC-0025
40	P1D-L040MC-0040
50	P1D-L040MC-0050
80	P1D-L040MC-0080
100	P1D-L040MC-0100
125	P1D-L040MC-0125
160	P1D-L040MC-0160
200	P1D-L040MC-0200
250	P1D-L040MC-0250
320	P1D-L040MC-0320
400	P1D-L040MC-0400
500	P1D-L040MC-0500

Ø50mm - (G¹/₄)

Stroke mm	Order code
25	P1D-L050MC-0025
40	P1D-L050MC-0040
50	P1D-L050MC-0050
80	P1D-L050MC-0080
100	P1D-L050MC-0100
125	P1D-L050MC-0125
160	P1D-L050MC-0160
200	P1D-L050MC-0200
250	P1D-L050MC-0250
320	P1D-L050MC-0320
400	P1D-L050MC-0400
500	P1D-L050MC-0500

Ø63mm - (G³/₈)

Stroke mm	Order code
25	P1D-L063MC-0025
40	P1D-L063MC-0040
50	P1D-L063MC-0050
80	P1D-L063MC-0080
100	P1D-L063MC-0100
125	P1D-L063MC-0125
160	P1D-L063MC-0160
200	P1D-L063MC-0200
250	P1D-L063MC-0250
320	P1D-L063MC-0320
400	P1D-L063MC-0400
500	P1D-L063MC-0500

Ø80mm - (G³/₄)

Stroke mm	Order code
25	P1D-L080MS-0025
40	P1D-L080MC-0040
50	P1D-L080MC-0050
80	P1D-L080MC-0080
100	P1D-L080MC-0100
125	P1D-L080MC-0125
160	P1D-L080MC-0160
200	P1D-L080MC-0200
250	P1D-L080MC-0250
320	P1D-L080MC-0320
400	P1D-L080MC-0400
500	P1D-L080MC-0500

Ø100mm - (G¹/₂)

Stroke mm	Order code
25	P1D-L100MC-0025
40	P1D-L100MC-0040
50	P1D-L100MC-0050
80	P1D-L100MC-0080
100	P1D-L100MC-0100
125	P1D-L100MC-0125
160	P1D-L100MC-0160
200	P1D-L100MC-0200
250	P1D-L100MC-0250
320	P1D-L100MC-0320
400	P1D-L100MC-0400
500	P1D-L100MC-0500

Ø125mm - (G¹/₂)

Stroke mm	Order code
25	P1D-L125MC-0025
40	P1D-L125MC-0040
50	P1D-L125MC-0050
80	P1D-L125MC-0080
100	P1D-L125MC-0100
125	P1D-L125MC-0125
160	P1D-L125MC-0160
200	P1D-L125MC-0200
250	P1D-L125MC-0250
320	P1D-L125MC-0320
400	P1D-L125MC-0400
500	P1D-L125MC-0500

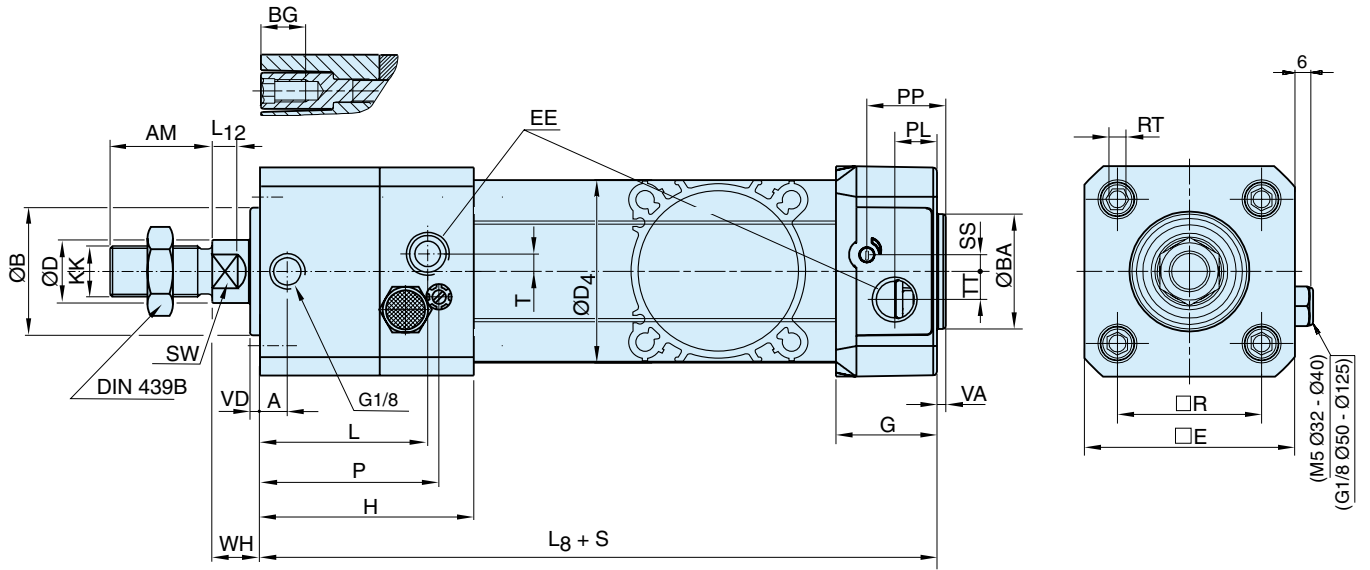
The cylinders are supplied complete with a zinc plated steel piston rod nut.

Sensors



For sensors see page 78.

P1D-L Series dimensions



Dimensions

Cylinder bore mm	A mm	AM mm	B mm	BA mm	BG mm	D mm	D4 mm	E mm	EE mm	G mm	H mm	KK mm	L mm
32	18,5	22	30	30	16	12	45,0	50,0	G1/8	28,5	71,0	M10x1,25	53,0
40	20,0	24	35	35	16	16	52,0	57,4	G1/4	33,0	76,5	M12x1,25	56,0
50	21,0	32	40	40	16	20	60,7	69,4	G1/4	33,5	80,0	M16x1,5	65,0
63	30,0	32	45	45	16	20	71,5	82,4	G3/8	39,5	96,0	M16x1,5	76,5
80	35,0	40	45	45	17	25	86,7	99,4	G3/8	39,5	110,0	M20x1,5	89,0
100	54,0	40	55	55	17	25	106,7	116,0	G1/2	44,5	132,0	M20x1,5	112,0
125	65,5	54	60	60	20	32	134,0	139,0	G1/2	51,0	144,5	M27x2	124,5

Cylinder bore mm	L8 mm	L12 mm	P mm	PL mm	PP mm	R mm	RT mm	SS mm	SW mm	T mm	TT mm	VA mm	VD mm	WH mm
32	137	6,0	63,0	13,0	21,8	32,5	M6	4,0	10	4,5	4,5	3,5	4,5	15
40	149	6,5	67,5	14,0	21,9	38,0	M6	8,0	13	3,0	5,5	3,5	4,5	16
50	153	8,0	71,0	14,0	23,0	46,5	M8	4,0	17	5,5	7,5	3,5	5,0	17
63	178	8,0	87,0	16,4	27,4	56,5	M8	6,5	17	3,0	11,0	3,5	5,0	17
80	199	10,0	101,0	16,0	30,5	72,0	M10	0	22	6,0	15,0	3,5	4,0	20
100	226	14,0	122,0	18,0	35,8	89,0	M10	0	22	6,0	20,0	3,5	4,0	20
125	254	18,0	134,5	28,0	40,5	110,0	M12	0	27	6,0	17,5	5,5	6,0	27

S=Stroke

Tolerances

Cylinder bore mm	B mm	BA mm	L ₃ mm	L ₉ mm	R mm	Stroke tolerance up to stroke 500 mm	Stroke tolerance for stroke over 500 mm
32	d11	d11	±0,4	±2	±0,5	+0,3/+2,0	+0,3/+3,0
40	d11	d11	±0,7	±2	±0,5	+0,3/+2,0	+0,3/+3,0
50	d11	d11	±0,7	±2	±0,6	+0,3/+2,0	+0,3/+3,0
63	d11	d11	±0,8	±2	±0,7	+0,3/+2,0	+0,3/+3,0
80	d11	d11	±0,8	±3	±0,7	+0,3/+2,0	+0,3/+3,0
100	d11	d11	±1,0	±3	±0,7	+0,3/+2,0	+0,3/+3,0
125	d11	d11	±1,0	±3	±1,1	+0,3/+2,0	+0,3/+3,0

For mountings refer to page 42.

P1E Rod Guidance Module

Ball bearings are greased for life, for extra protection external wiper seals are fitted on each face of the unit.

Aluminium body provides 3 mounting faces.

Anti-rotation achieved by 4 integral bearings. Choice of linear ball bearings or plain PTFE coated bearings

Guide bars: Ball bearing versions stainless steel. Plain bearing version hard chrome plated.

Lubrication points.

Cylinder mounting conforms to ISO 6431 and DIN 24335 standard

Self aligning adaptor for ISO cylinder piston rod.

Mounting flange

Installation on P1D with lock unit
If rotary control is to be retrofitted to a P1D with lock unit, the piston rod must be extended to provide the same WH dimensions as for the P1D base cylinder, as shown in the table below.

Cyl. dim mm	Piston rod extension on P1D with lock unit mm
32	11
40	14
50	20
63	20
80	26
100	31

P1E with rod guidance modules

The P1D series cylinders can be equipped with an external guiding device to prevent the piston rod from turning. The factory fitted guide gives a guided piston movement and enables the cylinder to take up turning moments on the piston rod, as well as greater transverse forces. The rod guidance is available with plain bearings or linear ball bearings and with H or U style. The bracket, which has pre-drilled mounting holes, is connected to the piston rod by means of a flexo coupling, which prevents the build-up of stresses in the cylinder. P1D cylinders with guiding devices are available with bores from 32 to 100 mm, and standard stroke lengths from 25 to 250 mm. Special stroke lengths up to 500 mm can also be obtained. Separate guiding device kits can be supplied on request according to the order key below.

Technical data

Working medium	Dry, filtered compressed air
Working temperature	-20 °C to +80 °C

Material specifications, guidance modules

Body	Anodised aluminium
Guide bars, H style	Stainless steel for ball bearing chrome plated for plain bearing
Front plate	Anodised aluminium
Guide bars, U style	Stainless steel
Front plate	Zinc-plated steel
Bearings	Plain bearings Linear ball bearings

Other data as standard cylinder.

Order key for separate guidance module

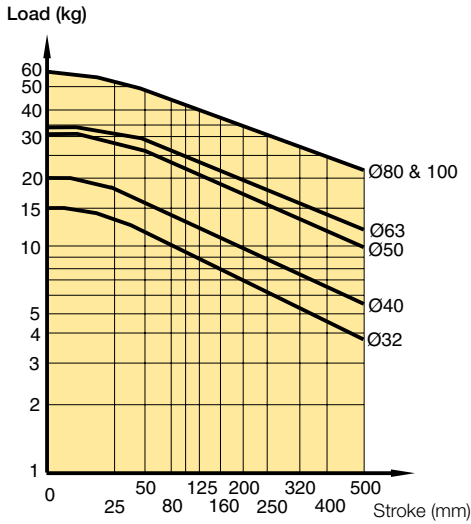
P1E - **4KRH** - **0100**

Bore size mm		Guide module type		Stroke length (mm)
K	32	H	H style, ball bearings	Same as for the cylinder e.g. 0100 = 100 mm.
L	40	J	H style, plain bearings	
M	50	K	U style, plain bearings	
N	63			
P	80			
Q	100			

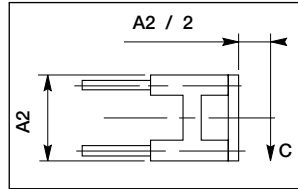
Technical information 'H style'

Rod guide with ball bearings

Maximum load carried

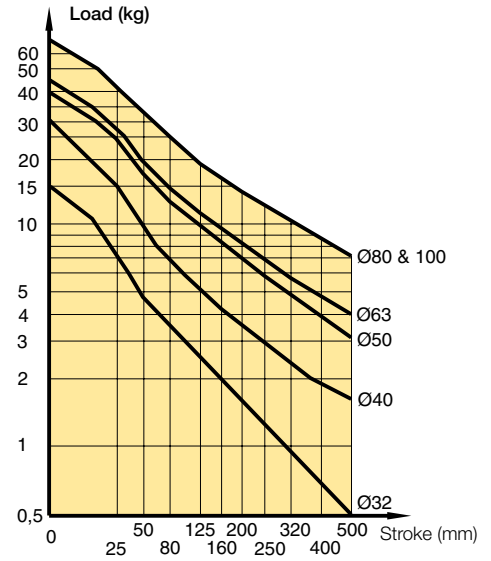


Graphs established at mid point of stroke

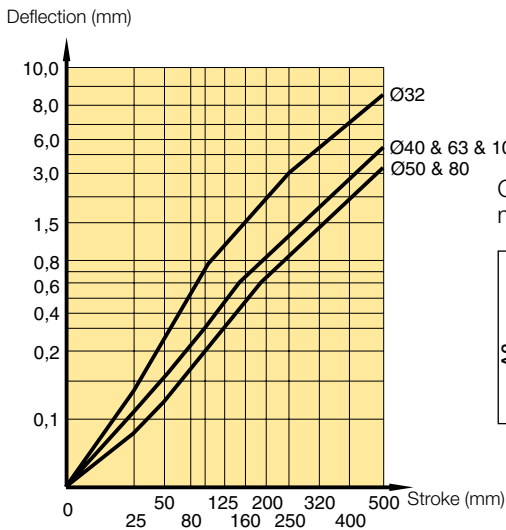


Rod guide with plain bearings

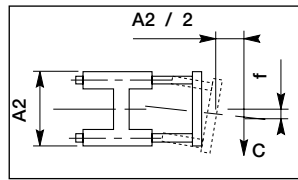
Maximum load carried



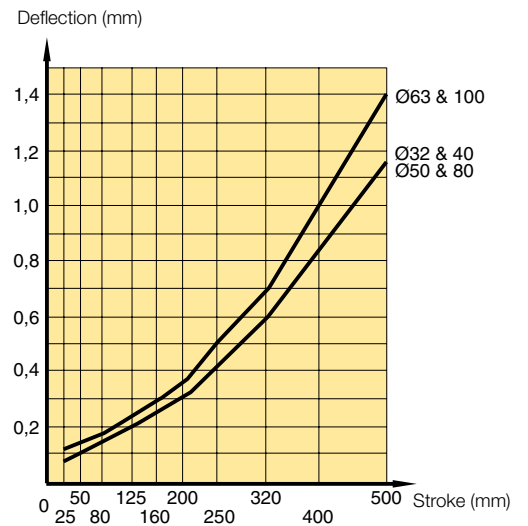
Maximum deflection/max load



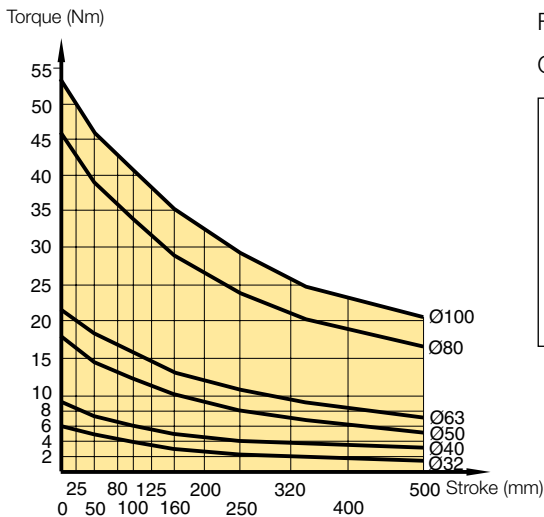
Graphs established at mid point of stroke



Maximum deflection/max load

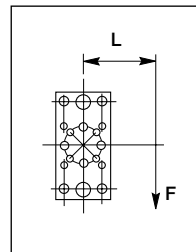


Maximum permissible torque (Nm)

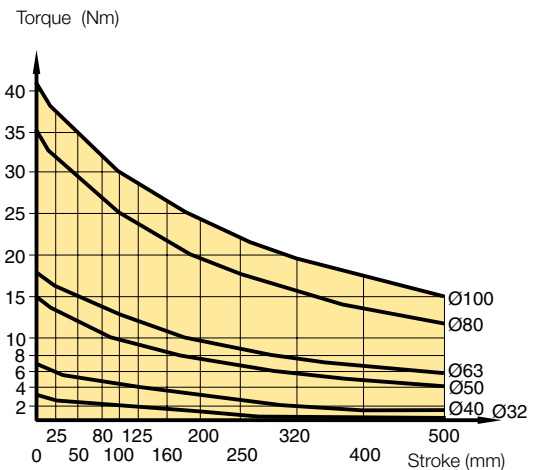


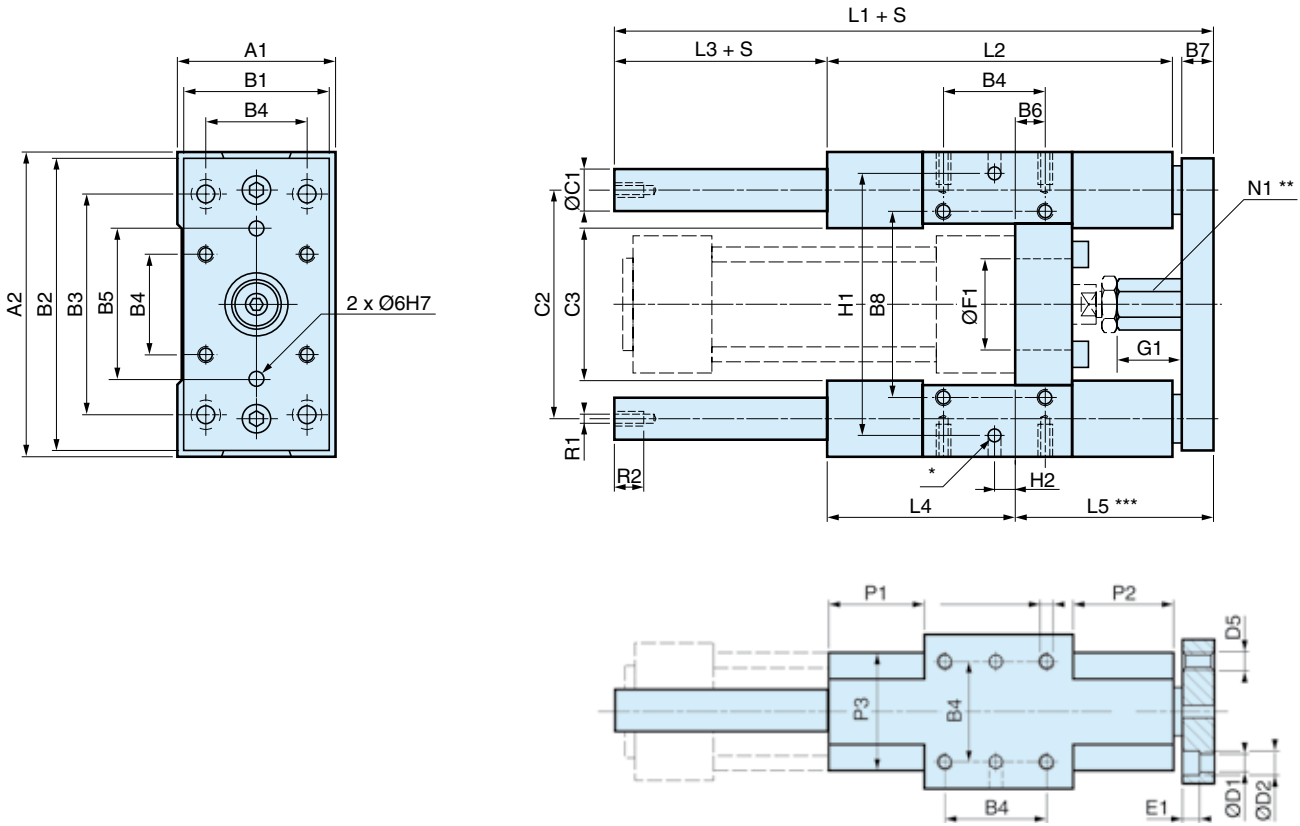
Formula:

$$C(\text{Nm}) = F(\text{N}) \times L(\text{m})$$



Maximum permissible torque (Nm)





Dimensions, H style guidance modules

Cyl. bore mm	A ₁ mm	A ₂ mm	B ₁ mm	B ₂ mm	B ₃ mm	B ₄ mm	B ₅ mm	B ₆ mm	B ₇ mm	B ₈ mm	ØC ₁ mm	C ₂ mm	C ₃ mm	ØD ₁ mm	ØD ₂ mm	D ₅
32	50	97	45	90	78	32,5	50	4,2	12	61	12	73,5	50	6,6	11	M6
40	58	115	54	110	84	38,0	54	11,0	12	69	16	86,5	58	6,6	11	M6
50	70	137	63	130	100	46,5	72	18,8	15	85	20	103,5	70	8,4	15	M8
63	85	152	80	145	105	56,5	82	15,0	15	100	20	118,5	83	8,4	15	M8
80	105	189	100	180	130	72,0	106	21,0	20	130	25	147,0	102	10,5	18	M10
100	130	213	120	200	150	89,0	131	24,5	20	150	25	171,5	125	10,5	18	M10

Cyl. bore mm	E ₁ mm	Ø F ₁ ^{+0,1/0} G ₁ mm	L ₁ mm	L ₂ mm	L ₃ mm	L ₄ mm	L ₅ mm	N ₁ mm	P ₁ ^{±1} mm	P ₂ ^{±1} mm	P ₃ mm	R ₁ mm	R ₂ mm	W mm	mm
32	7	30	17	150	120	15	71	64	17	36	31	40	M6	11	5
40	7	35	24	170	130	25	71	74	17	36	36	44	M6	11	6
50	9	40	27	197	150	24	79	89	24	42	44	50	M8	16	8
63	9	45	27	222	180	24	109	89	24	58	44	60	M8	16	8
80	11	45	32	247	200	24	113	110	30	50	52	70	M10	16	10
100	11	55	32	267	220	24	128	115	30	49	51	70	M10	16	10

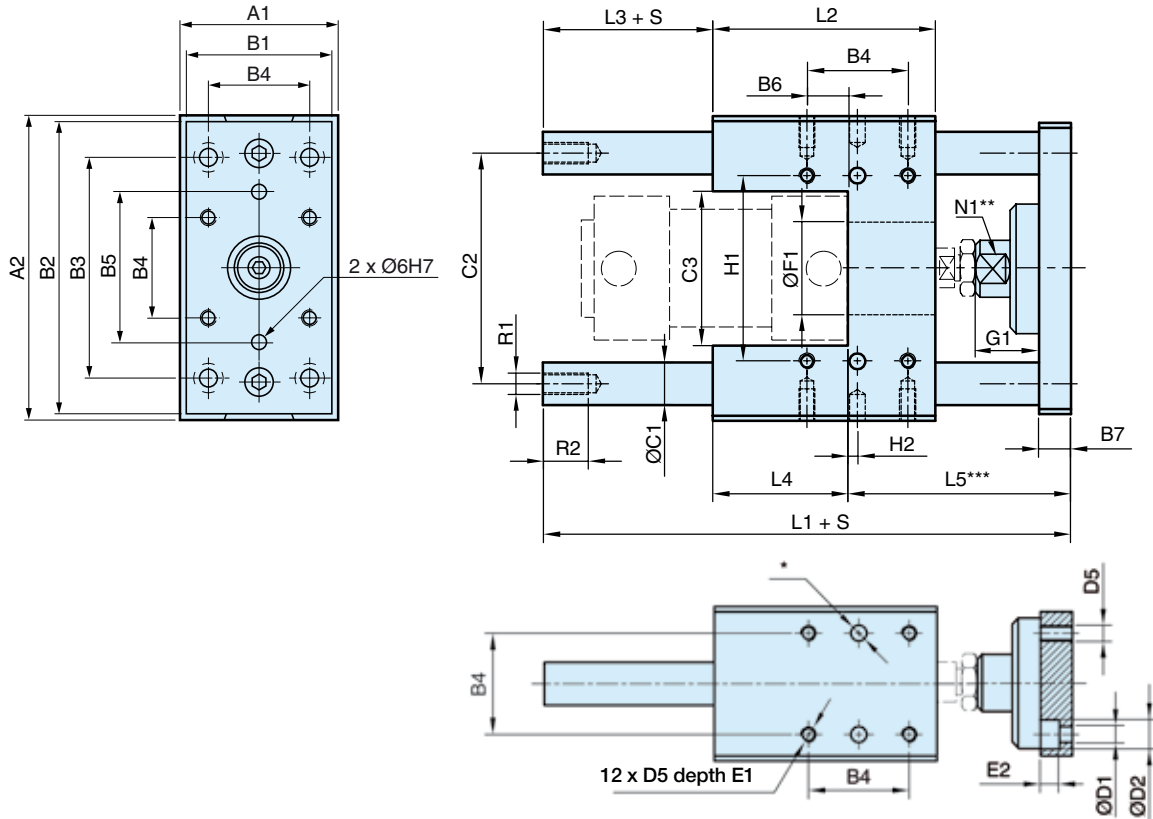
Cyl. bore mm	H ₁ ^{±0,05} mm	H ₂ mm	T mm	Weight at 0 mm stroke kg	Supplement weight per 10 mm stroke kg
32	81	11,7	12	0,970	0,018
40	99	8,0	12	1,550	0,032
50	119	4,2	16	2,560	0,050
63	132	13,0	16	3,570	0,050
80	166	15,0	20	6,530	0,078
100	190	20,5	20	8,760	0,078

S = Stroke length

* 6 hole Ø6^{H7}, depth 10^{+1/0}

** Hexagon profile

*** Min adjustment=0, max.=W



Dimensions, U style guidance modules

Cyl. bore. mm	A ₁ mm	A ₂ mm	B ₁ mm	B ₂ mm	B ₃ mm	B ₄ mm	B ₅ mm	B ₆ mm	B ₇ mm	C ₁ mm	C ₂ mm	C ₃ mm	D ₁ mm	D ₂ mm	D ₅
32	50	97	45	90	78	32,5	50	18,0	12	12	74	50	6,6	11	M6
40	58	115	54	110	84	38,0	54	15,5	12	16	87	58	6,6	11	M6
50	70	137	63	130	100	46,5	72	19,5	15	20	104	70	9,0	15	M8
63	85	152	80	145	105	56,5	82	29,5	15	20	119	85	9,0	15	M8
80	105	189	100	180	130	72,0	106	39,0	20	25	148	105	11,0	18	M10
100	130	213	120	200	150	89,0	131	53,5	20	25	172	130	11,0	18	M10

Cyl. bore. mm	E ₁ mm	E ₂ mm	Ø F ₁ ^{+0,1/0} mm	G ₁	L ₁ mm	L ₂ mm	L ₃ mm	L ₄ mm	L ₅ mm	N ₁ mm	R ₁ mm	R ₂	H ₁ ^{±0,05} mm	H ₂ mm	W ^{***} mm
32	10	6,5	30	30	133	72	14	44	75	13	M6	11	61	1,75	5
40	10	6,5	35	36	149	84	12	51	86	15	M8	12	69	3,50	5
50	13	9,0	40	42	175	100	12	60	103	22	M8	12	85	3,75	5
63	13	9,0	45	42	190	115	12	75	103	22	M8	12	100	1,25	5
80	16	11,0	45	49	238	162	0	112	126	27	M10	16	130	3,00	6
100	16	11,0	55	49	249	167	6	112	131	27	M10	16	150	8,50	6

Cyl. bore mm	Weight at 0 mm stroke kg	Supplement weight per 10 mm stroke kg
32	0,970	0,018
40	1,550	0,315
50	2,560	0,493
63	3,570	0,493
80	6,530	0,770
100	8,760	0,770

S = Stroke length

* 6 hole Ø6^{H7}, depth 10^{+1/0}

** Width of jaw

*** Min adjustment=0, max.=W

P8S-G sensors



The P1D sensors can easily be installed from the side in the sensor groove, at any position along the piston stroke. The sensors are completely recessed and thus mechanically protected. Choose between electronic or reed sensors and several cable lengths and 8 mm and M12 connectors. The same standard sensors are used for all P1D versions.

Electronic sensors

The electronic sensors are "Solid State", i.e. they have no moving parts at all. They are provided with short-circuit protection and transient protection as standard. The built-in electronics make the sensors suitable for applications with high on and off switching frequency, and where very long service life is required.

Reed sensors

The sensors are based on proven reed switches, which offer reliable function in many applications. Simple installation, a protected position on the cylinder and clear LED indication are important advantages of this range of sensors.

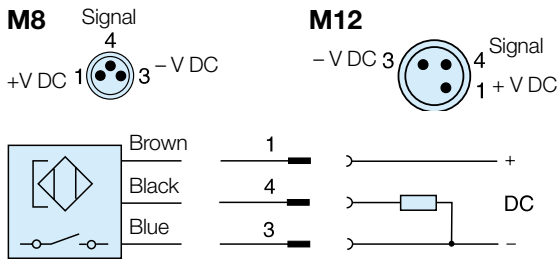
Technical data

Design	GMR (Giant Magnetic Resistance) magneto-resistive function
Installation	From side, down into the sensor groove, so-called drop-in
Outputs	PNP, normally open (also available in NPN design, normally closed, on request)
Voltage range	10-30 VDC 10-18 V DC, ATEX sensor
Ripple	max 10%
Voltage drop	max 2,5 V
Load current	max 100 mA
Internal consumption	max 10 mA
Actuating distance	min 9 mm
Hysteresis	max 1,5 mm
Repeatability accuracy	max 0,2 mm
On/off switching frequency	max 5 kHz
On switching time	max 2 ms
Off switching time	max 2 ms
Encapsulation	IP 67 (EN 60529)
Temperature range	-25 °C to +75 °C -20 °C to +45 °C, ATEX sensor
Indication	LED, yellow
Material housing	PA 12
Material screw	Stainless steel
Cable	PVC or PUR 3x0.25 mm ² see order code respectively

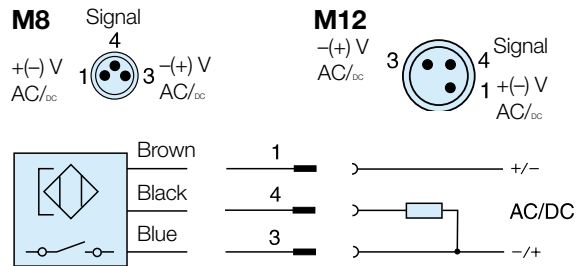
Technical data

Design	Reed element
Mounting	From side, down into the sensor groove, so-called drop-in
Output	Normally open , or normally closed
Voltage range	10-30 V AC/DC or 10-120 V AC/DC 24-230 V AC/DC
Load current	max 500 mA for 10-30 V or max 100 mA for 10-120 V max 30 mA for 24-230 V
Breaking power (resistive)	max 6 W/VA
Actuating distance	min 9 mm
Hysteresis	max 1,5 mm
Repeatability accuracy	0,2 mm
On/off switching frequency	max 400 Hz
On switching time	max 1,5 ms
Off switching time	max 0,5 ms
Encapsulation	IP 67 (EN 60529)
Temperature range	-25 °C to +75 °C
Indication	LED, yellow
Material housing	PA12
Material screw	Stainless steel
Cable	PVC or PUR 3x0.14 mm ² see order code respectively

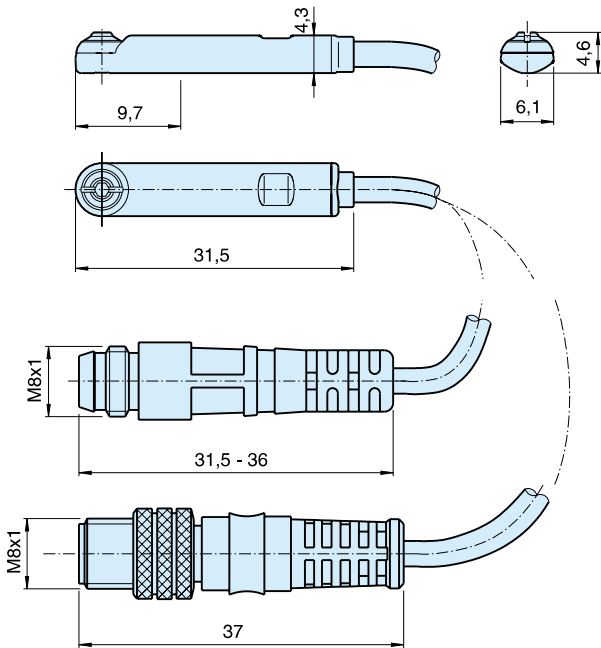
Electronic sensors



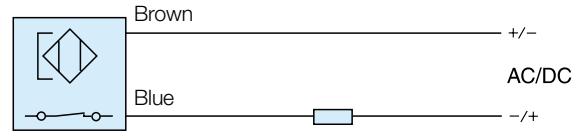
Reed sensors



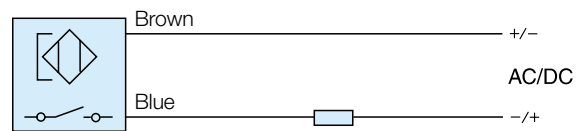
Sensor Dimensions



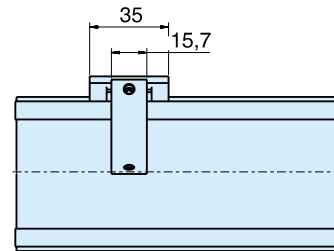
P8S-GCFPX



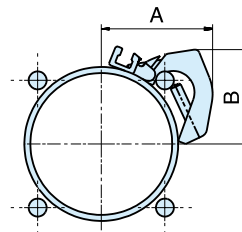
P8S-GRFLX / P8S-GRFLX2



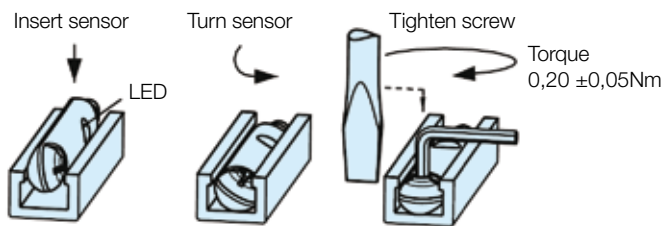
Sensor mounting - P1D-T 32 - 125mm
P8S-TMA0X



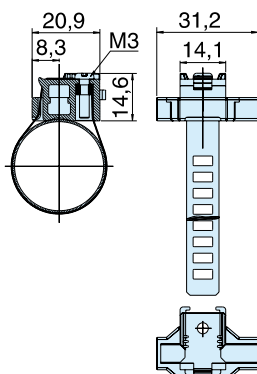
Cyl. bore mm	A mm	B mm
32	35	26
40	39	30
50	44	30
63	50	42
80	54	52
100	62	60
125	74	69



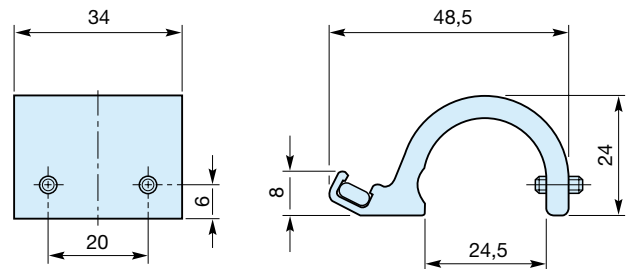
Sensor Installation - P1D-S / B / C / X
P1Q / P1P



Sensor mounting for P1A - P8S-TMC01



Sensor mounting - P1D-T 160 - 320mm
PD48956



Order code
PD48956

Ordering data

Output/function	Cable/connector	Weight kg	Order code
Electronic sensors , 10-30 V DC			
PNP type, normally open	0,27 m PUR-cable and 8 mm snap-in male connector	0,007	P8S-GPSHX
PNP type, normally open	0,27 m PUR-cable and M12 screw male connector	0,015	P8S-GPMHX
PNP type, normally open	3 m PVC-cable without connector	0,030	P8S-GPFLX
PNP type, normally open	10 m PVC-cable without connector	0,110	P8S-GPFTX
Reed sensors , 10-30 V AC/DC			
Normally open	0,27 m PUR-cable and 8 mm snap-in male connector	0,007	P8S-GSSHX
Normally open	0,27 m PUR-cable and M12 screw male connector	0,015	P8S-GSMHX
Normally open	3 m PVC-cable without connector	0,030	P8S-GSFLX
Normally open	10 m PVC-cable without connector	0,110	P8S-GSFTX
Normally closed	5m PVC-cable without connector ⁽¹⁾	0,050	P8S-GCFPX
Reed sensors, 10-120 V AC/DC			
Normally open	3 m PVC-cable without connector	0,030	P8S-GRFLX
Reed sensorer, 24-230 V AC/DC			
Normally open	3 m PVC-cable without connector	0,030	P8S-GRFLX2

1) Without LED

Sensor mounting

Description	Weight kg	Order code
Sensor mounting for cylinder P1A cylinder bore Ø10 to Ø25 mm	0,07	P8S-TMC01
Double jointed adapter for cylinder P1D-T cylinder bore Ø32 to Ø125 mm	0,07	P8S-TMA0X
Sensor mounting for P1D-T 160 - 320mm	0,040	PD48956

Connecting cables with one connector

The cables have an integral snap-in female connector.



Type of cable	Cable/connector	Weight kg	Order code
Cables for sensors, complete with one female connector			
Cable, Flex PVC	3 m, 8 mm Snap-in connector	0,07	9126344341
Cable, Flex PVC	10 m, 8 mm Snap-in connector	0,21	9126344342
Cable, Polyurethane	3 m, 8 mm Snap-in connector	0,01	9126344345
Cable, Polyurethane	10 m, 8 mm Snap-in connector	0,20	9126344346
Cable, Polyurethane	5 m, M12 screw connector	0,07	9126344348
Cable, Polyurethane	10 m, M12 screw connector	0,20	9126344349

Male connectors for connecting cables

Cable connectors for producing your own connecting cables. The connectors can be quickly attached to the cable without special tools. Only the outer sheath of the cable is removed. The connectors are available for M8 and M12 screw connectors and meet protection class IP 65.



Connector	Weight kg	Order code
M8 screw connector	0,017	P8CS0803J
M12 screw connector	0,022	P8CS1204J



**For ATEX specific products
contact Sales Office**



P1A Pneumatic Mini ISO Cylinders

According to ISO 6432



The P1A range of cylinders is intended for use in a wide range of applications. The cylinders are particularly suitable for lighter duties in the packaging, food and textile industries.

Hygienic design, the use of corrosion-resistant materials and initial lubrication with our food-grade grease makes the cylinders suitable for food industry applications.

- **Mini cylinder according to ISO 6432**
- **Available in 10 to 25 mm bores**
- **Corrosion resistant design and low weight construction**
- **Magnetic piston as standard**
- **End stroke buffers for long service life**



Careful design and high quality manufacture throughout ensure long service life and optimum economy.

Mounting dimensions fully in accordance with ISO 6432 and CETOP RP52P greatly simplifies installation and world-wide interchangeability.



- Mini cylinder according to ISO 6432
- Available in 10 to 25 mm bores
- Corrosion resistant design and low weight construction
- Magnetic piston as standard
- End stroke buffers for long service life

Operating information

Working pressure: Max 10 bar
Temperature range: -20°C to +80°C Ø10-25mm

Prelubricated, further lubrication is not normally necessary. If additional lubrication is introduced it must be continued.

For more information see www.parker.com/euro_pneumatic

Double acting buffer cushioning

Ø10mm - (M5)

Stroke mm	Order code
10	P1A-S010DS-0010
15	P1A-S010DS-0015
25	P1A-S010DS-0025
30	P1A-S010DS-0030
40	P1A-S010DS-0040
50	P1A-S010DS-0050
80	P1A-S010DS-0080
100	P1A-S010DS-0100
125	P1A-S010DS-0125

Ø12mm - (M5)

Stroke mm	Order code
10	P1A-S012DS-0010
15	P1A-S012DS-0015
25	P1A-S012DS-0025
30	P1A-S012DS-0030
40	P1A-S012DS-0040
50	P1A-S012DS-0050
80	P1A-S012DS-0080
100	P1A-S012DS-0100
125	P1A-S012DS-0125
160	P1A-S012DS-0160
200	P1A-S012DS-0200

Ø16mm - (M5)

Stroke mm	Order code
10	P1A-S016DS-0010
15	P1A-S016DS-0015
25	P1A-S016DS-0025
30	P1A-S016DS-0030
40	P1A-S016DS-0040
50	P1A-S016DS-0050
80	P1A-S016DS-0080
100	P1A-S016DS-0100
125	P1A-S016DS-0125
160	P1A-S016DS-0160
200	P1A-S016DS-0200

Ø20mm - (G1/8)

Stroke mm	Order code
10	P1A-S020DS-0010
15	P1A-S020DS-0015
25	P1A-S020DS-0025
30	P1A-S020DS-0030
40	P1A-S020DS-0040
50	P1A-S020DS-0050
80	P1A-S020DS-0080
100	P1A-S020DS-0100
125	P1A-S020DS-0125
160	P1A-S020DS-0160
200	P1A-S020DS-0200
250	P1A-S020DS-0250
320	P1A-S020DS-0320

Ø25mm - (G1/8)

Stroke mm	Order code
10	P1A-S025DS-0010
15	P1A-S025DS-0015
25	P1A-S025DS-0025
30	P1A-S025DS-0030
40	P1A-S025DS-0040
50	P1A-S025DS-0050
80	P1A-S025DS-0080
100	P1A-S025DS-0100
125	P1A-S025DS-0125
160	P1A-S025DS-0160
200	P1A-S025DS-0200
250	P1A-S025DS-0250
320	P1A-S025DS-0320

Cylinders are supplied complete with neck mounting and piston rod nuts.

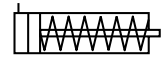
Cylinders with Through piston rods are supplied with two piston rod nuts and one neck mounting nut.

Sensors



For sensors see page 78.

Single acting push type (Spring return for retracted stroke)



Ø10mm - (M5)

Stroke mm	Order code
10	P1A-S010SS-0010
15	P1A-S010SS-0015
25	P1A-S010SS-0025
40	P1A-S010SS-0040
50	P1A-S010SS-0050
80	P1A-S010SS-0080

Ø16mm - (M5)

Stroke mm	Order code
10	P1A-S016SS-0010
15	P1A-S016SS-0015
25	P1A-S016SS-0025
40	P1A-S016SS-0040
50	P1A-S016SS-0050
80	P1A-S016SS-0080

Ø25mm - (G1/8)

Stroke mm	Order code
10	P1A-S025SS-0010
15	P1A-S025SS-0015
25	P1A-S025SS-0025
40	P1A-S025SS-0040
50	P1A-S025SS-0050
80	P1A-S025SS-0080

Ø12mm - (M5)

Stroke mm	Order code
10	P1A-S012SS-0010
15	P1A-S012SS-0015
25	P1A-S012SS-0025
40	P1A-S012SS-0040
50	P1A-S012SS-0050
80	P1A-S012SS-0080

Ø20mm - (G1/8)

Stroke mm	Order code
10	P1A-S020SS-0010
15	P1A-S020SS-0015
25	P1A-S020SS-0025
50	P1A-S020SS-0050
80	P1A-S020SS-0080

Single acting pull type (Spring extended for advanced stroke)



Ø16mm - (M5)

Stroke mm	Order code
10	P1A-S016TS-0010
15	P1A-S016TS-0015
25	P1A-S016TS-0025
40	P1A-S016TS-0040
50	P1A-S016TS-0050

Ø20mm - (G1/8)

Stroke mm	Order code
10	P1A-S020TS-0010
15	P1A-S020TS-0015
25	P1A-S020TS-0025
50	P1A-S020TS-0050
80	P1A-S020TS-0080

Ø25mm - (G1/8)

Stroke mm	Order code
10	P1A-S025TS-0010
15	P1A-S025TS-0015
25	P1A-S025TS-0025
40	P1A-S025TS-0040
50	P1A-S025TS-0050
80	P1A-S025TS-0080

Double acting adjustable cushioning

Effective cushioning

The Mini ISO range is available with fixed end cushioning or with adjustable pneumatic cushioning, controlled by simple bleed screws for fine adjustment. The adjustable cushioned cylinders can be operated with higher mass loads and at higher speeds than those with fixed end cushioning, reducing overall cycle times.



Ø16mm - (M5)

Stroke mm	Order code
20	P1A-S016MS-0020
25	P1A-S016MS-0025
30	P1A-S016MS-0030
40	P1A-S016MS-0040
50	P1A-S016MS-0050
80	P1A-S016MS-0080
100	P1A-S016MS-0100
125	P1A-S016MS-0125
160	P1A-S016MS-0160
200	P1A-S016MS-0200

Ø20mm - (G1/8)

Stroke mm	Order code
20	P1A-S020MS-0020
25	P1A-S020MS-0025
30	P1A-S020MS-0030
50	P1A-S020MS-0050
80	P1A-S020MS-0080
100	P1A-S020MS-0100
125	P1A-S020MS-0125
160	P1A-S020MS-0160
200	P1A-S020MS-0200
250	P1A-S020MS-0250
320	P1A-S020MS-0320

Ø25mm - (G1/8)

Stroke mm	Order code
20	P1A-S025MS-0020
25	P1A-S025MS-0025
30	P1A-S025MS-0030
40	P1A-S025MS-0040
50	P1A-S025MS-0050
80	P1A-S025MS-0080
100	P1A-S025MS-0100
125	P1A-S025MS-0125
160	P1A-S025MS-0160
200	P1A-S025MS-0200
250	P1A-S025MS-0250
320	P1A-S025MS-0320

Design Variants

Working temperatures

High temperature

Ø12 and 16mm -10°C to +120°C Non-magnetic piston
 Ø20 and 25mm -10°C to +150°C Non-magnetic piston

External seals

fluorinated rubber -20°C to +80°C Magnetic piston



Double acting options

Double-acting adjustable cushioning Ø16 - Ø25 (not for seal material type F)

Double-acting non-adjustable cushioning Ø10 - Ø25



Double-acting, adjustable cushioning through rod Ø16 - Ø25 (not for seal material type F)

Double-acting, non-adjustable cushioning through rod Ø10 - Ø25



Single acting options

Single-acting, Spring return for retracted stroke. Non-adjustable cushioning Ø10 - Ø25

Single-acting, Spring extended for advanced stroke. Non-adjustable cushioning Ø16 - Ø25



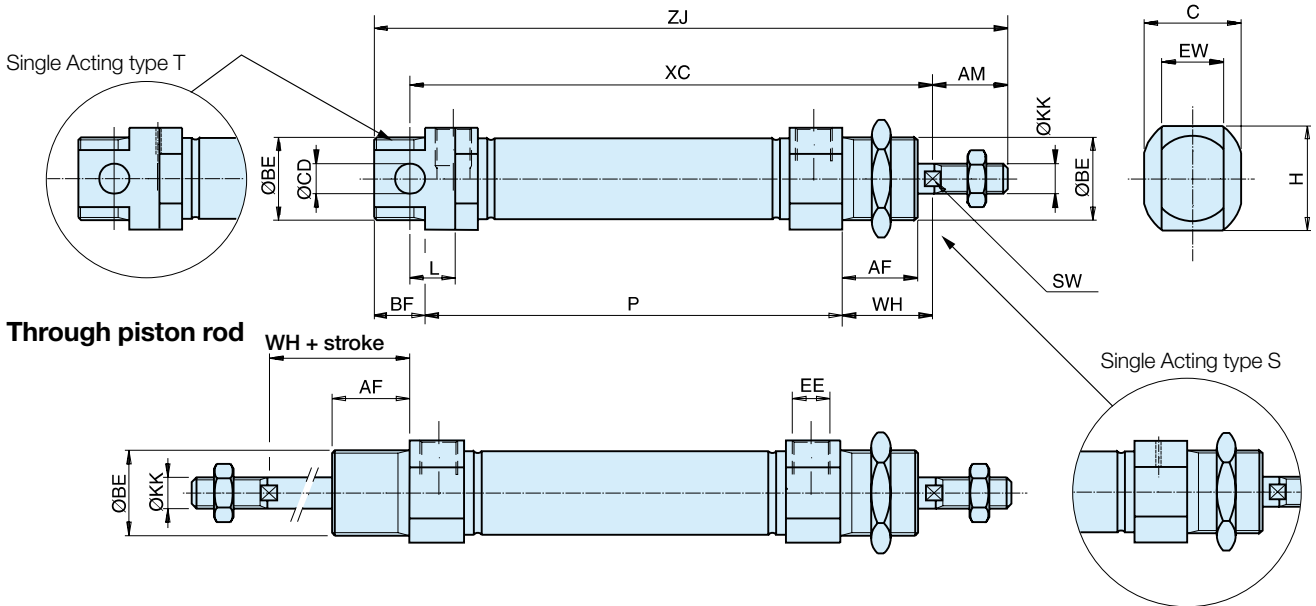
"U" style rod guidance modules, plain bearings

The P1A series cylinders can be equipped with an external guiding device to prevent the piston rod from turning. When fitted the guide provides a guided piston movement enabling the cylinder to resist turning moments on the piston rod, as well as greater transverse forces.



Dimensions

Double and single acting cylinders



Cylinder bore mm	AM 0/-2 mm	BE	AF mm	BF mm	C mm	CDH9 mm	EE	EW mm	H mm	KK	L mm	SW mm	WH±1,2 mm
10	12	M12x1,25	12	10	13,0	4	M5	8	13,0	M4	6	-	16
12	16	M16x1,5	18	13	17,8	6	M5	12	17,8	M6	9	5	22
16 ¹⁾	16	M16x1,5	18	13	17,8	6	M5	12	17,8	M6	9	5	22
16 ²⁾	16	M16x1,5	18	13	23,8	6	M5	12	23,8	M6	9	5	22
20	20	M22x1,5	20	14	23,8	8	G1/8	16	23,8	M8	12	7	24
25	22	M22x1,5	22	14	26,8	8	G1/8	16	26,8	M10x1,25	12	9	28

1) P1A-S016DS/SS/TS

2) P1A-S016MS

Double acting cylinders

Cylinder bore mm	XC mm	ZJ mm	P mm
10	64 + stroke	84 + stroke	46 + stroke
12	75 + stroke	99 + stroke	48 + stroke
16	82 + stroke	104 + stroke	53 + stroke
20	95 + stroke	125 + stroke	67 + stroke
25	104 + stroke	132 + stroke	68 + stroke

Single-acting, spring return, type SS

Stroke/ Cylinder bore mm	10 XC mm	15 XC mm	25 XC mm	40 XC mm	50 XC mm	80 XC mm	10 ZJ mm	15 ZJ mm	25 ZJ mm	40 ZJ mm	50 ZJ mm	80 ZJ mm	10 P mm	15 P mm	25 P mm	40 P mm	50 P mm	80 P mm
10	74	79	89	126	136	174	94	99	109	146	156	194	56	61	71	108	118	156
12	85	90	100	132	142	185	109	114	124	156	166	209	58	63	73	105	115	158
16	92	97	107	122	132	184	114	119	129	144	154	206	63	68	78	93	103	155
20	105	110	120	135	145	191	135	140	150	165	175	221	77	82	92	107	117	163
25	114	119	129	144	154	201	142	147	157	172	182	229	78	83	93	108	118	165

Single-acting, spring-extended, type TS

Stroke/ Cylinder bore mm	10 XC ³⁾ mm	15 XC ³⁾ mm	25 XC ³⁾ mm	40 XC ³⁾ mm	50 XC ³⁾ mm	80 XC ³⁾ mm	10 ZJ ³⁾ mm	15 ZJ ³⁾ mm	25 ZJ ³⁾ mm	40 ZJ ³⁾ mm	50 ZJ ³⁾ mm	80 ZJ ³⁾ mm	10 P mm	15 P mm	25 P mm	40 P mm	50 P mm	80 P mm
16	107	112	122	137	147	-	129	134	144	159	169	-	78	83	93	108	118	-
20	120	125	135	150	160	195	150	155	165	180	190	225	92	97	107	122	132	167
25	129	134	144	159	169	205	157	162	172	187	197	233	93	98	108	123	133	169

3) With piston rod retracted, as shown in the dimension drawing

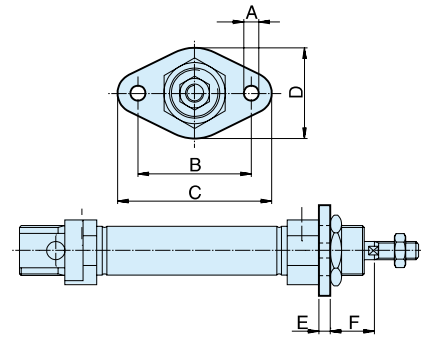
Length tolerances ±1 mm

Stroke length tolerances +1,5/0 mm

Cylinder Mountings

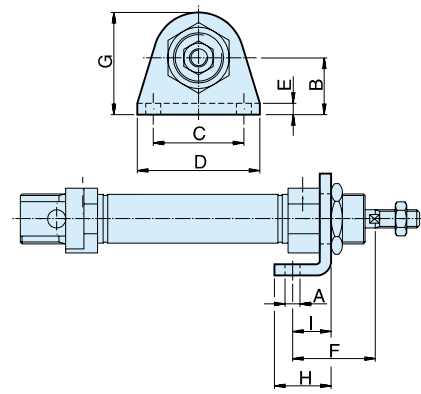
Flange-MF8

Cylinder Ø mm	A mm	B mm	C mm	D mm	E mm	F mm	Order code
10	4,5	30	40	22	3	13	P1A-4CMB
12	5,5	40	52	30	4	18	P1A-4DMB
16	5,5	40	52	30	4	18	P1A-4DMB
20	6,6	50	66	40	5	19	P1A-4HMB
25	6,6	50	66	40	5	23	P1A-4HMB



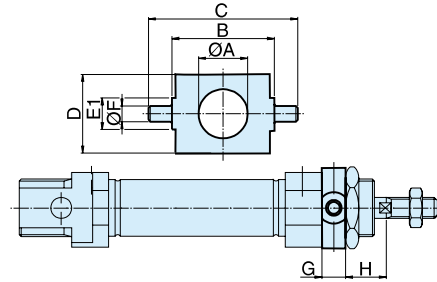
Foot-MS3

Cylinder Ø mm	A mm	B mm	C mm	D mm	E mm	F mm	G mm	H mm	I mm	Order code
10	4,5	16	25	35	3	24	26,0	16	11	P1A-4CMF
12	5,5	20	32	42	4	32	32,5	20	14	P1A-4DMF
16	5,5	20	32	42	4	32	32,5	20	14	P1A-4DMF
20	6,5	25	40	54	5	36	45,0	25	17	P1A-4HMF
25	6,5	25	40	54	5	40	45,0	25	17	P1A-4HMF



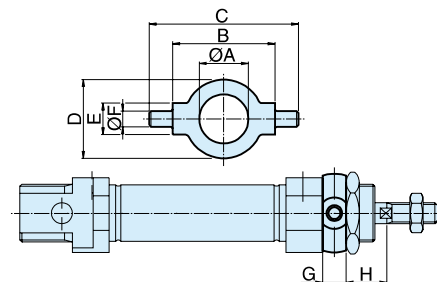
Cover trunnion

Cylinder Ø mm	A mm	B h14 mm	C mm	D mm	E1 mm	F e9 mm	G mm	H mm	Order code
10	12,5	26	38	20	9	4	6	10	P1A-4CMJZ
12	16,5	38	58	25	13	6	8	14	P1A-4DMJZ
16	16,5	38	58	25	13	6	8	14	P1A-4DMJZ
20	22,5	46	66	30	13	6	8	16	P1A-4HMJZ
25	22,5	46	66	30	13	6	8	20	P1A-4HMJZ



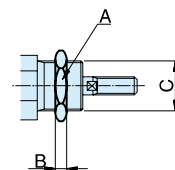
**Cover trunnion
Stainless steel**

Cylinder Ø mm	A mm	B h14 mm	C mm	D mm	E mm	F e9 mm	G mm	H mm	Order code
10	12,5	26	38	20	8	4	6	10	P1A-4CMJ
12	16,5	38	58	25	10	6	8	14	P1A-4DMJ
16	16,5	38	58	25	10	6	8	14	P1A-4DMJ
20	22,5	46	66	30	10	6	8	16	P1A-4HMJ
25	22,5	46	66	30	10	6	8	20	P1A-4HMJ



Stainless Mounting nut

Cylinder Ø mm	A mm	B mm	C	Order code
10	17	5	M12x1,25	9126725405
12	24	8	M16x1,50	9126725406
16	24	8	M16x1,50	9126725406
20	27	5	M22x1,50	9126725407
25	27	5	M22x1,50	9126725407

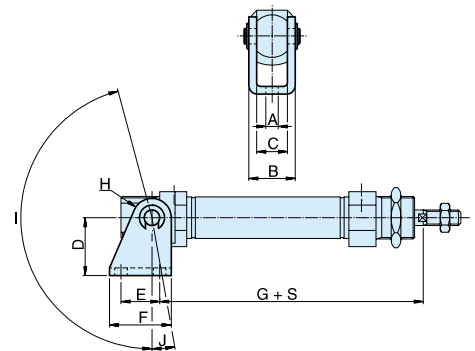


Cylinder Mountings

Clevis bracket

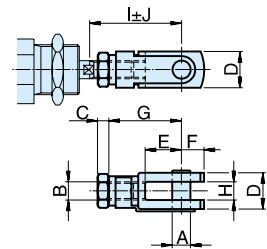
Cylinder Ø mm	A mm	B mm	C mm	D mm	E mm	F mm	G mm	H mm	I °	J °	Order code
10	4,5	13	8	24	12,5	20	65,3	5	160	17	P1A-4CMT
12	5,5	18	12	27	15,0	25	73,0	7	170	15	P1A-4DMT
16	5,5	18	12	27	15,0	25	80,0	7	170	15	P1A-4DMT
20	6,5	24	16	30	20,0	32	91,0	10	165	10	P1A-4HMT
25	6,5	24	16	30	20,0	32	100,0	10	165	10	P1A-4HMT

S=stroke



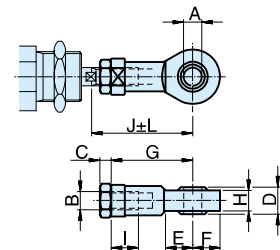
Clevis

Cylinder Ø mm	A mm	B	C mm	D mm	E mm	F mm	G mm	H mm	I mm	J mm	Order code
10	4	M4	2,2	8	8	5	16	4	22,0	2,0	P1A-4CRC
12	6	M6	3,2	12	12	7	24	6	31,0	3,0	P1A-4DRC
16	6	M6	3,2	12	12	7	24	6	31,0	3,0	P1A-4DRC
20	8	M8	4,0	16	16	10	32	8	40,5	3,5	P1A-4HRC
25	10	M10x1,25	5,0	20	20	12	40	10	49,0	3,0	P1A-4JRC



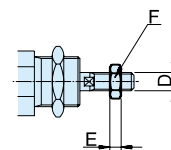
Swivel rod eye

Cylinder Ø mm	A mm	B	C mm	D mm	E mm	F mm	G mm	H mm	I mm	J mm	K mm	L mm	Order code
10	5	M4	2,2	8	10	9	27	6,0	8	33,0	9	2,0	P1A-4CRS
12	6	M6	3,2	9	10	10	30	6,8	9	38,5	11	1,5	P1A-4DRS
16	6	M6	3,2	9	10	10	30	6,8	9	38,5	11	1,5	P1A-4DRS
20	8	M8	4,0	12	12	12	36	9,0	12	46,0	14	2,0	P1A-4HRS
25	10	M10x1,25	5,0	14	14	14	43	10,5	15	52,5	17	2,5	P1A-4JRS



Stainless Rod nut

Cylinder Ø mm	D	F mm	E mm	Order code
10	M4	7	2,2	9127385121
12	M6	10	3,2	9127385122
16	M6	10	3,2	9127385122
20	M8	13	4,0	9127385123
25	M10x1,25	17	5,0	9126725404



Flange MF8



Foot bracket MS3



Cover trunnion

Cover trunnion
Stainless steelStainless steel
mounting nut

Ø 10	P1A-4CMB	P1A-4CMF	P1A-4CMJZ	P1A-4CMJ	9126725405
Ø 12	P1A-4DMB	P1A-4DMF	P1A-4DMJZ	P1A-4DMJ	9126725406
Ø 16	P1A-4DMB	P1A-4DMF	P1A-4DMJZ	P1A-4DMJ	9126725406
Ø 20	P1A-4HMB	P1A-4HMF	P1A-4HMJZ	P1A-4HMJ	9126725407
Ø 25	P1A-4HMB	P1A-4HMF	P1A-4HMJZ	P1A-4HMJ	9126725407

Clevis bracket



Clevis



Swivel rod eye

Stainless steel
Rod nut

Ø 10	P1A-4CMT	P1A-4CRC	P1A-4CRS	9127385121
Ø 12	P1A-4DMT	P1A-4DRC	P1A-4DRS	9127385122
Ø 16	P1A-4DMT	P1A-4DRC	P1A-4DRS	9127385122
Ø 20	P1A-4HMT	P1A-4HRC	P1A-4HRS	9127385123
Ø 25	P1A-4HMT	P1A-4JRC	P1A-4JRS	9126725404



R32-63 Aluminium All Round Cylinders



With its aluminium body construction and integral pivot mounting points the R32 - 63mm round cylinder series offers a lightweight versatile cylinder for a variety of applications. Designed and manufactured for quality and long service life while giving an economical package of options to compete in the competitive market environment.

- Available in bores $\text{Ø}32$, $\text{Ø}40$, $\text{Ø}50$ and $\text{Ø}63$
- Double acting
- Adjustable cushioning
- Magnetic piston as standard
- Range of mounting options
- Other options available

This range of stainless steel cylinders has been specially designed for use in difficult environments. Hygienic design, external seals of flouriated rubber and prelubrication with our food-industry-approved grease according to USDA-H1 make the cylinders particularly suitable for food industry use. All cylinders have magnetic pistons for proximity position sensing. Fixing dimensions to ISO 6432 simplify installation and make the cylinders physically interchangeable throughout the world.



- Mini - cylinders according to ISO 6432
- All stainless in 10 to 25 mm bores
- Magnetic piston as standard
- Double and single acting
- End stroke buffers for long service life
- Available with adjustable cushioning

Operating information

Working pressure: Max 10 bar
 Temperature range: -20°C to +80°C Ø10-25mm

Prelubricated, further lubrication is not normally necessary. If additional lubrication is introduced it must be continued.

For more information see www.parker.com/euro_pneumatic

Double acting fixed cushioning

Ø10mm - (M5)

Stroke mm	Order code
10	P1S-S010DS-0010
15	P1S-S010DS-0015
25	P1S-S010DS-0025
40	P1S-S010DS-0040
50	P1S-S010DS-0050
80	P1S-S010DS-0080
100	P1S-S010DS-0100
125	P1S-S010DS-0125

Ø12mm - (M5)

Stroke mm	Order code
10	P1S-S012DS-0010
15	P1S-S012DS-0015
25	P1S-S012DS-0025
40	P1S-S012DS-0040
50	P1S-S012DS-0050
80	P1S-S012DS-0080
100	P1S-S012DS-0100
125	P1S-S012DS-0125
160	P1S-S012DS-0160
200	P1S-S012DS-0200

Ø16mm - (M5)

Stroke mm	Order code
10	P1S-S016DS-0010
15	P1S-S016DS-0015
25	P1S-S016DS-0025
40	P1S-S016DS-0040
50	P1S-S016DS-0050
80	P1S-S016DS-0080
100	P1S-S016DS-0100
125	P1S-S016DS-0125
160	P1S-S016DS-0160
200	P1S-S016DS-0200

Ø20mm - (G1/8)

Stroke mm	Order code
10	P1S-S020DS-0010
15	P1S-S020DS-0015
25	P1S-S020DS-0025
40	P1S-S020DS-0040
50	P1S-S020DS-0050
80	P1S-S020DS-0080
100	P1S-S020DS-0100
125	P1S-S020DS-0125
160	P1S-S020DS-0160
200	P1S-S020DS-0200
250	P1S-S020DS-0250
320	P1S-S020DS-0320

Ø25mm - (G1/8)

Stroke mm	Order code
10	P1S-S025DS-0010
15	P1S-S025DS-0015
25	P1S-S025DS-0025
40	P1S-S025DS-0040
50	P1S-S025DS-0050
80	P1S-S025DS-0080
100	P1S-S025DS-0100
125	P1S-S025DS-0125
160	P1S-S025DS-0160
200	P1S-S025DS-0200
250	P1S-S025DS-0250
320	P1S-S025DS-0320

Double acting adjustable cushioning

Ø20mm - (G1/8)

Stroke mm	Order code
15	P1S-S020MS-0015
25	P1S-S020MS-0025
40	P1S-S020MS-0040
50	P1S-S020MS-0050
80	P1S-S020MS-0080
100	P1S-S020MS-0100
125	P1S-S020MS-0125
160	P1S-S020MS-0160
200	P1S-S020MS-0200
250	P1S-S020MS-0250
320	P1S-S020MS-0320

Ø25mm - (G1/8)

Stroke mm	Order code
15	P1S-S025MS-0015
25	P1S-S025MS-0025
40	P1S-S025MS-0040
50	P1S-S025MS-0050
80	P1S-S025MS-0080
100	P1S-S025MS-0100
125	P1S-S025MS-0125
160	P1S-S025MS-0160
200	P1S-S025MS-0200
250	P1S-S025MS-0250
320	P1S-S025MS-0320

Design Variants

Working temperatures

High temperature

Ø10 and Ø16mm -10°C to +120°C Non-magnetic piston
 Ø20 and Ø25mm -10°C to +150°C Non-magnetic piston

Low temperature

Ø10, 12 and 16mm -40°C to +60°C Non-magnetic piston



Double acting options

Effective end-cushioning

A version of ISO 6432 Ø10-Ø25 incorporates fixed end-cushioning, while the cylinders Ø20-Ø125 have pneumatic end-cushioning with adjusting screws for exact setting, permitting heavier loads and higher speeds for short cycle times.

Double-acting adjustable cushioning	Ø20 - Ø25 (not for seal material type F and L)
Double-acting non-adjustable cushioning	Ø10 - Ø25



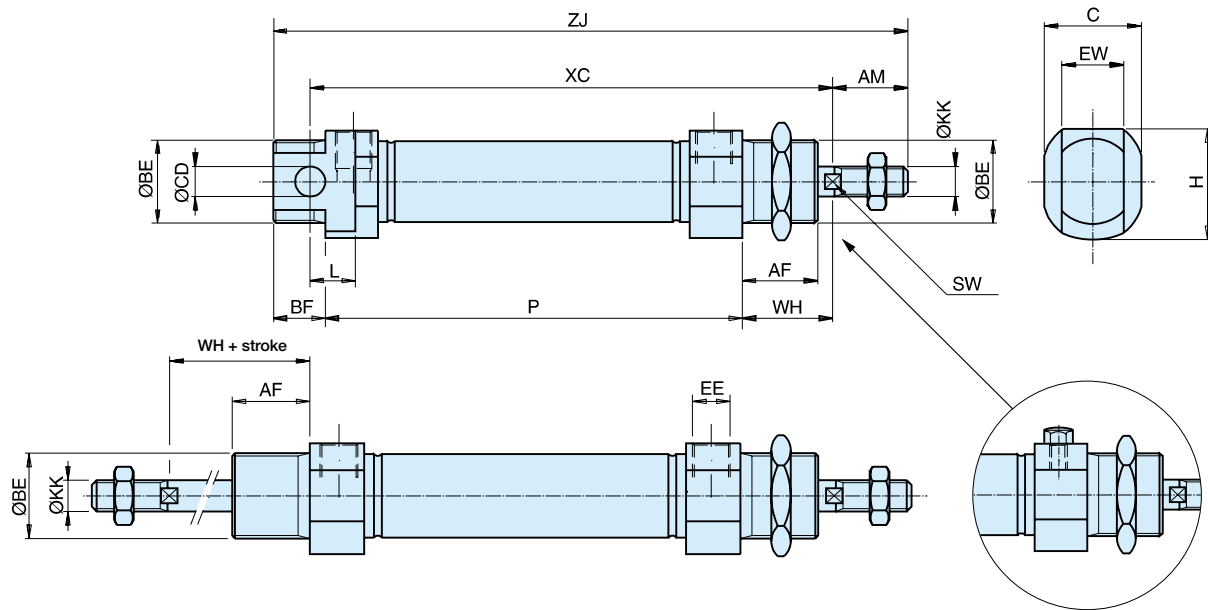
Double-acting, adjustable cushioning through rod	Ø20 - Ø25 (not for seal material type F and L)
Double-acting, non-adjustable cushioning through rod	Ø10 - Ø25
Double-acting, adjustable cushioning through rod, hollow	Ø20 - Ø25 (not for seal material type F and L)
Double-acting, non-adjustable cushioning through rod, hollow	Ø20 - Ø25 max stroke 125mm



Single acting options

Single-acting, Spring return for retracted stroke. Non-adjustable cushioning	Ø10 - Ø25
Single-acting, Spring extended for advanced stroke. Non-adjustable cushioning	Ø20 - Ø25





Dimensions

Cyl. bore mm	AM 0/-2 mm	BE	AF mm	BF mm	C mm	CDH9 mm	EE	EW mm	H mm	KK	L mm	SW mm	WH±1,2 mm
10	12	M12x1,25	12	10	14	4	M5	8	19	M4	6	-	16
12	16	M16x1,5	18	13	18	6	M5	12	19	M6	9	5	22
16	16	M16x1,5	18	13	18	6	M5	12	19	M6	9	5	22
20	20	M22x1,5	20	14	24	8	G1/8	16	29	M8	12	7	24
25	22	M22x1,5	22	14	28	8	G1/8	16	32	M10x1,25	12	9	28

Double acting cylinders

Cyl. bore mm	XC mm	ZJ mm	P mm
10	64 + stroke	84 + stroke	46 + stroke
12	75 + stroke	99 + stroke	48 + stroke
16	82 + stroke	104 + stroke	53 + stroke
20	95 + stroke	125 + stroke	67 + stroke
25	104 + stroke	132 + stroke	68 + stroke

Single acting with spring return, type SS

Stroke/ Cyl. bore mm	10 mm	15 mm	25 mm	40 mm	50 mm	80 mm	10 mm	15 mm	25 mm	40 mm	50 mm	80 mm	10 mm	15 mm	25 mm	40 mm	50 mm	80 mm
	XC	XC	XC	XC	XC	XC	ZJ	ZJ	ZJ	ZJ	ZJ	ZJ	P	P	P	P	P	P
10	74	79	89	126	136	174	94	99	109	146	156	194	56	61	71	108	118	156
12	85	90	100	132	142	185	109	114	124	156	166	209	58	63	73	105	115	158
16	92	97	107	122	132	184	114	119	129	144	154	206	63	68	78	93	103	155
20	105	110	120	135	145	191	135	140	150	165	175	221	77	82	92	107	117	163
25	114	119	129	144	154	201	142	147	157	172	182	229	78	83	93	108	118	165

Length tolerances ±1 mm
 Stroke length tolerances +1,5/0 mm

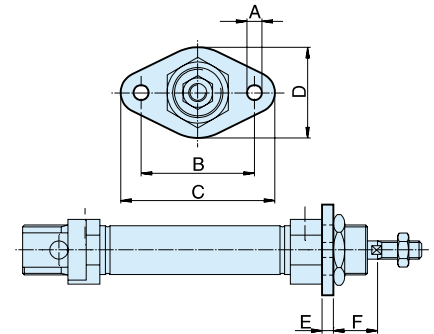
Cylinders are supplied complete with mounting and adjusting nuts.
 Cylinders with through piston rod are supplied complete with two adjusting nuts and one mounting nut.

Cylinder mountings

Flange-MF8

Intended for fixed attachment of the cylinder. The flange is designed for mounting on the front or rear end-covers.

Material:
Stainless steel, DIN X 10 CrNiS 18 9

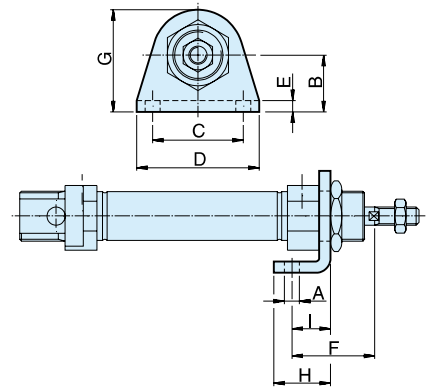


Cylinder Ø mm	A mm	B mm	C mm	D mm	E mm	F mm	Weight Kg	Order code
10	4,5	30	40	22	3	13	0,012	P1S-4CMB
12-16	5,5	40	52	30	4	18	0,025	P1S-4DMB
20	6,6	50	66	40	5	19	0,045	P1S-4HMB
25	6,6	50	66	40	5	23	0,045	P1S-4HMB

Foot-MS3

Intended for fixed attachment of the cylinder. The bracket is designed for mounting on the front or rear end-covers.

Material:
Stainless steel, DIN X 10 CrNiS 18 9

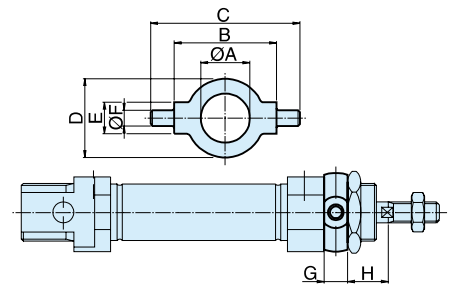


Cylinder Ø mm	A mm	B mm	C mm	D mm	E mm	F mm	G mm	H mm	I mm	Weight Kg	Order code
10	4,5	16	25	35	3	24	26	16	11	0,020	P1S-4CMF
12-16	5,5	20	32	42	4	32	32,5	20	14	0,040	P1S-4DMF
20	6,5	25	40	54	5	36	45	25	17	0,080	P1S-4HMF
25	6,5	25	40	54	5	40	45	25	17	0,080	P1S-4HMF

Cover trunnion

Intended for articulated mounting of the cylinder. The flange is designed for mounting on the front or rear end-covers.

Material:
Stainless steel, DIN X 10 CrNiS 18 9

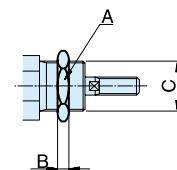


Cylinder Ø	A mm	B h14 mm	C mm	D mm	E e9 mm	F mm	G mm	H mm	Weight Kg	Order code
10	12,5	26	38	20	8	4	6	10	0,014	P1A-4CMJ
12-16	16,5	38	58	25	10	6	8	14	0,033	P1A-4DMJ
20	22,5	46	66	30	10	6	8	16	0,037	P1A-4HMJ
25	22,5	46	66	30	10	6	8	20	0,037	P1A-4HMJ

Mounting nut

Intended for fixed mounting of the cylinder. Cylinders are supplied complete with one mounting nut.

Material:
Stainless steel, DIN X 5 CrNi 18 10



Cylinder Ø mm	A mm	B mm	C	Weight Kg	Order code
10	19	6	M12x1,25	0,009	9126725405
12-16	24	8	M16x1,50	0,018	9126725406
20-25	27	5	M22x1,50	0,042	9126725407

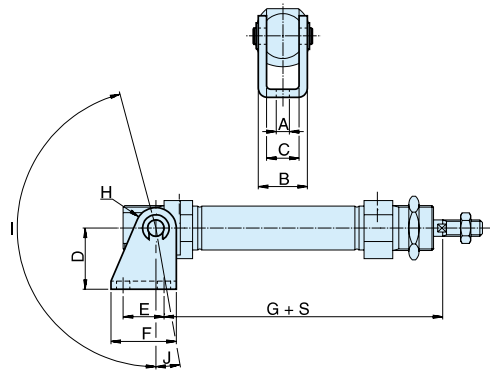
Cylinder mountings

Clevis bracket



Intended for articulated mounting of the cylinder. Supplied with shaft for mounting on the rear end cover.

Material:
 Bracket: stainless steel, DIN X 5 CrNi 18 10
 Pin: tempered stainless steel, DIN X 20 Cr 13
 Locking rings: stainless steel, DIN X 5 CrNi 18 10



Cylinder Ø mm	A mm	B mm	C mm	D mm	E mm	F mm	G mm	H mm	I mm	J mm	Weight Kg	Order code
10	4,5	13	8	24	12,5	20	65,3	5	160	17	0,020	P1S-4CMT
12	5,5	18	12	27	15	25	73	7	170	15	0,040	P1S-4DMT
16	5,5	18	12	27	15	25	80	7	170	15	0,040	P1S-4DMT
20	6,5	24	16	30	20	32	91	10	165	10	0,080	P1S-4HMT
25	6,5	24	16	30	20	32	100	10	165	10	0,080	P1S-4HMT

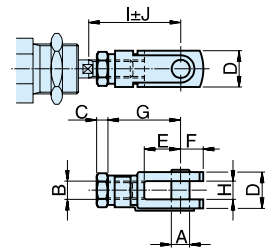
S=stroke

Clevis



According to ISO 8140
 Intended for articulated mounting of the cylinder. This mounting is adjustable in the axial direction. Supplied complete with pin.

Material:
 Stainless steel, DIN X 5 CrNi 18 10



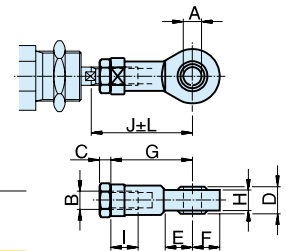
Cylinder Ø mm	A mm	B	C mm	D mm	E mm	F mm	G mm	H mm	I mm	J mm	Weight	Order code
10	4	M4	2,2	8	8	5	16	4	22	2	0,007	P1S-4CRD
12-16	6	M6	3,2	12	12	7	24	6	31	3	0,022	P1S-4DRD
20	8	M8	4	16	16	10	32	8	40,5	3,5	0,045	P1S-4HRD
25	10	M10x1,25	5	20	20	12	40	10	49	3	0,095	P1S-4JRD

Swivel rod eye



According to ISO 8139
 Intended for articulated mounting of the cylinder. This mounting is adjustable in the axial direction.

Material:
 Swivel rod eye: stainless steel, DIN X 5 CrNi 18 10
 Ball: hardened stainless steel, DIN X 5 CrNi 18 10



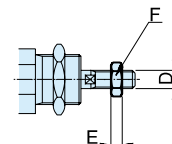
Cylinder Ø mm	A mm	B	C mm	D mm	E mm	F mm	G mm	H mm	I mm	J mm	K mm	L mm	Weight	Order code
10	5	M4	2,2	8	10	9	27	6	8	33	9	2	0,017	P1S-4CRT
12-16	6	M6	3,2	9	10	10	30	6,8	9	38,5	11	1,5	0,025	P1S-4DRT
20	8	M8	4	12	12	12	36	9	12	46	14	2	0,045	P1S-4HRT
25	10	M10x1,25	5	14	14	14	43	10,5	15	52,5	17	2,5	0,085	P1S-4JRT

Rod nut



Intended for fixed mounting on the piston rod. Cylinders are supplied complete with one rod nut. (cylinders with through piston rod are supplied with two rod nuts.)

Material:
 Stainless steel, DIN X 5 CrNi 18 10



Cylinder Ø mm	D	F mm	E mm	Weight	Order code
10	M4	7	2,2	0,001	9127385121
12-16	M6	10	3,2	0,002	9127385122
20	M8	13	4	0,005	9127385123
25	M10x1,25	17	5	0,007	9126725404

This range of stainless steel cylinders has been specially designed for use in difficult environments. Hygienic design, external seals of flouriated rubber and prelubrication with our food-industry-approved grease according to USDA-H1 make the cylinders particularly suitable for food industry use. All cylinders have magnetic pistons for proximity position sensing. Fixing dimensions to ISO 6431 simplify installation and make the cylinders physically interchangeable throughout the world.



- Round cylinder to ISO 6431
- All stainless steel
- Clean, smooth washdown design
- Magnetic piston as standard
- Adjustable cushioning for long service life
- Complete range of mountings and sensors

 **For ATEX specific products contact Sales Office**

Operating information

Working pressure: Max 10 bar
 Temperature range: -20°C to +70°C
 ATEX approval: CE Ex IIGD c T4 120°C

Prelubricated, further lubrication is not normally necessary. If additional lubrication is introduced it must be continued.

For more information see www.parker.com/euro_pneumatic

Standard stroke lengths

Ø32mm - (G1/8)

Stroke mm	Order code
25	P1S-D032MS-0025
50	P1S-D032MS-0050
80	P1S-D032MS-0080
100	P1S-D032MS-0100
125	P1S-D032MS-0125
160	P1S-D032MS-0160
200	P1S-D032MS-0200
250	P1S-D032MS-0250
320	P1S-D032MS-0320
400	P1S-D032MS-0400
500	P1S-D032MS-0500

Ø63mm - (G3/8)

Stroke mm	Order code
25	P1S-D063MS-0025
50	P1S-D063MS-0050
80	P1S-D063MS-0080
100	P1S-D063MS-0100
125	P1S-D063MS-0125
160	P1S-D063MS-0160
200	P1S-D063MS-0200
250	P1S-D063MS-0250
320	P1S-D063MS-0320
400	P1S-D063MS-0400
500	P1S-D063MS-0500

Ø100mm - (G1/2)

Stroke mm	Order code
25	P1S-L100MS-0025
50	P1S-L100MS-0050
80	P1S-L100MS-0080
100	P1S-L100MS-0100
125	P1S-L100MS-0125
160	P1S-L100MS-0160
200	P1S-L100MS-0200
250	P1S-L100MS-0250
320	P1S-L100MS-0320
400	P1S-L100MS-0400
500	P1S-L100MS-0500

Ø40mm - (G1/4)

Stroke mm	Order code
25	P1S-D040MS-0025
50	P1S-D040MS-0050
80	P1S-D040MS-0080
100	P1S-D040MS-0100
125	P1S-D040MS-0125
160	P1S-D040MS-0160
200	P1S-D040MS-0200
250	P1S-D040MS-0250
320	P1S-D040MS-0320
400	P1S-D040MS-0400
500	P1S-D040MS-0500

Ø80mm - (G3/8)

Stroke mm	Order code
25	P1S-L080MS-0025
50	P1S-L080MS-0050
80	P1S-L080MS-0080
100	P1S-L080MS-0100
125	P1S-L080MS-0125
160	P1S-L080MS-0160
200	P1S-L080MS-0200
250	P1S-L080MS-0250
320	P1S-L080MS-0320
400	P1S-L080MS-0400
500	P1S-L080MS-0500

Ø125mm - (G1/2)

Stroke mm	Order code
25	P1S-L125MS-0025
50	P1S-L125MS-0050
80	P1S-L125MS-0080
100	P1S-L125MS-0100
125	P1S-L125MS-0125
160	P1S-L125MS-0160
200	P1S-L125MS-0200
250	P1S-L125MS-0250
320	P1S-L125MS-0320
400	P1S-L125MS-0400
500	P1S-L125MS-0500

Ø50mm - (G1/4)

Stroke mm	Order code
25	P1S-D050MS-0025
50	P1S-D050MS-0050
80	P1S-D050MS-0080
100	P1S-D050MS-0100
125	P1S-D050MS-0125
160	P1S-D050MS-0160
200	P1S-D050MS-0200
250	P1S-D050MS-0250
320	P1S-D050MS-0320
400	P1S-D050MS-0400
500	P1S-D050MS-0500

Design Variants

Working temperatures

High temperature -10°C to +150°C Non-magnetic piston

Low temperature

Ø10 and Ø125mm -40°C to +40°C Non-magnetic piston

Stainless steel scraper for piston rod

-20°C to +80°C Magnetic piston



Double acting options

Double-acting
adjustable cushioning

Ø80 - Ø125



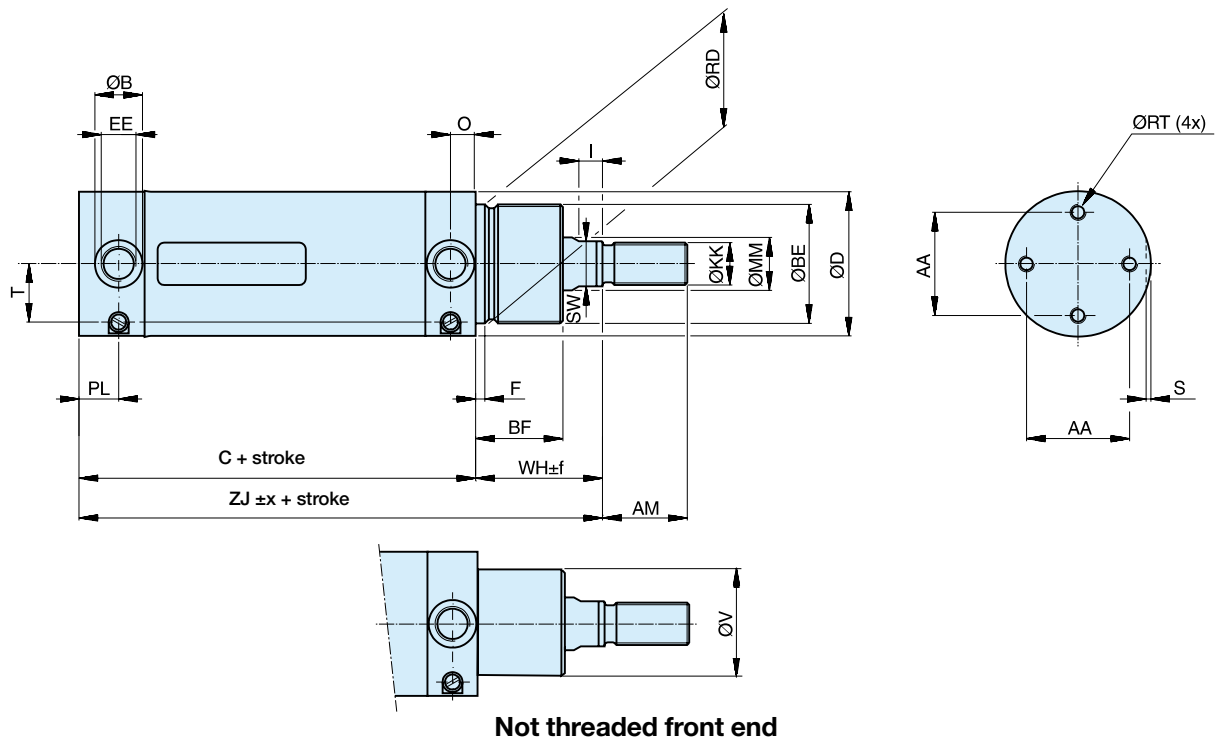
Double-acting
adjustable cushioning
through rod only

Ø80 - Ø125



Mounting options

ISO 6431 Stainless Steel Cylinders are available with a variety of integral threaded mounting holes or trunnion pegs.

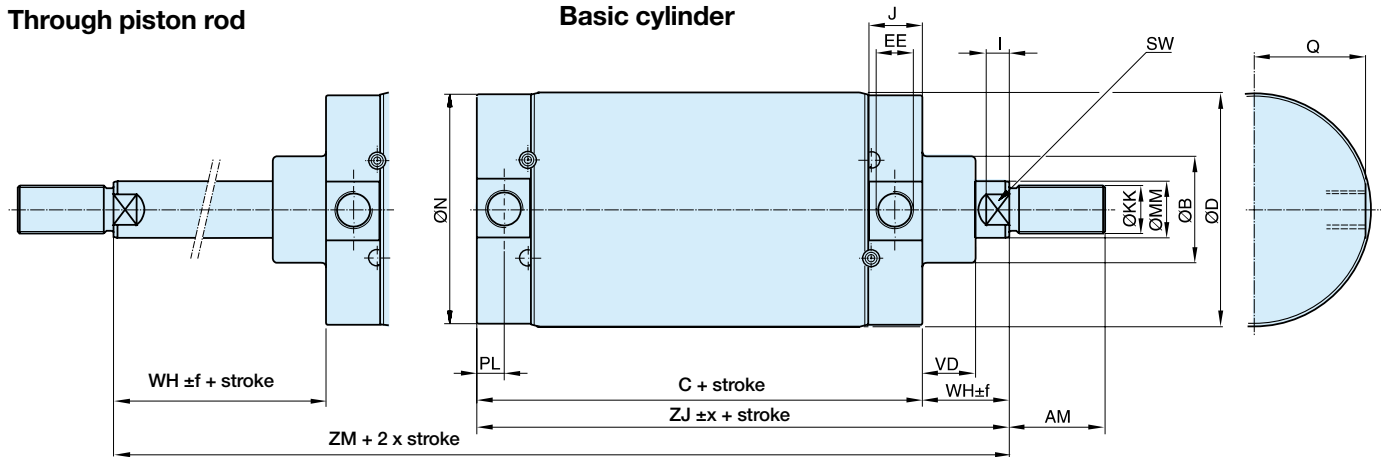


Dimensions Ø32-Ø63

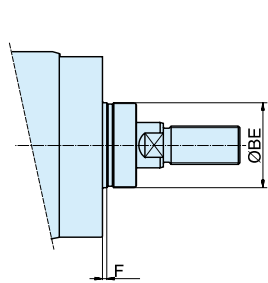
Cylinder designation	AA	AM	B	BF	BE	C	D	EE	F	I	KK	MM	O	PL	RD	RT
	mm	mm	mm	mm		mm	mm		mm	mm		mm	mm	mm	mm	mm
P1S-D032M	24,5	22	15	25	M30x1,5	88	36	G1/8	4,2	6	M10x1,25	12	8	13	30	M5
P1S-D040M	30	24	18	30	M38x1,5	97	44	G1/4	4,5	9	M12x1,25	16	9,5	15	38	M6
P1S-D050M	39	32	18	33	M45x1,5	101	55	G1/4	4,5	9	M16x1,5	20	9,5	15	45	M6
P1S-D063M	49	32	25	33	M45x1,5	117	68	G3/8	4,5	9	M16x1,5	20	13,3	20,5	45	M8

Cylinder designation	S	SW	T	V	WH	ZJ	Mounting tolerances		Stroke length
	mm	mm	mm	mm	mm	mm	x	f	0-500 mm
							mm	mm	mm
P1S-D032M	1,5	10	12,2	26	35,5	123,5	1,2	2,5	+2,0
P1S-D040M	1,5	14	16,5	35	44	141	1,0	2,2	+2,0
P1S-D050M	1,5	17	22	41	47	148	0,9	2,3	+2,0
P1S-D063M	1,5	17	26	41	47	164	1,4	2,3	+2,5

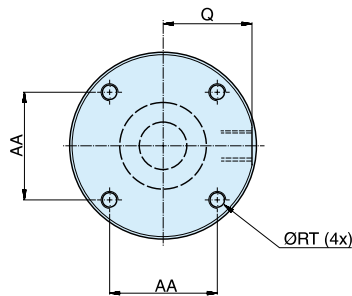
Through piston rod



Threaded front end



Mounting holes in the end covers



Dimensions Ø80-Ø125

Cylinder designation	AA	AM	B	BE	C	D	EE	F	KK	I	J	MM	N	PL	Q
	mm	mm	mm		mm	mm		mm		mm	mm	mm	mm	mm	mm
P1S-•Ø80M	46	40	50	M50x1,5	141	86	G3/8	4	M20x1,5	10	24,5	25	84	12,5	40
P1S-•100M	60	40	50	M50x1,5	158	106	G1/2	4	M20x1,5	8	30	25	104	15,5	49,5
P1S-•125M	76	54	60	M60x2	183	133	G1/2	4	M27x2	13	30	32	129	15,5	62,5

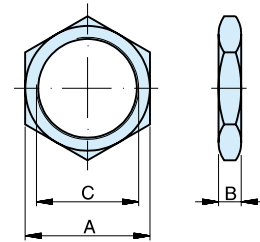
Cylinder designation	RT	SW	VD	WH	ZJ	ZM	Mounting tol. Stroke length		
	mm	mm	mm	mm	mm	mm	x	f	0-500 mm
							mm	mm	
P1S-•Ø80M	M8	21	19	37	178	215	1,5	2,5	+2,5
P1S-•100M	M10	21	19	35	193	228	1,5	2,5	+2,5
P1S-•125M	M12	27	24	47	230	277	2,0	2,5	+4,0

Cylinder mountings Ø32 - Ø63

Mounting nut

Intended for fixed mounting of the cylinder via the neck.

Material: stainless steel, DIN X 5 CrNi 18 10



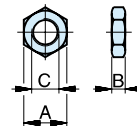
Cylinder Ø mm	A mm	B mm	C	Weight Kg	Order code
32	36	8	M30x1,5	0,03	9127294401
40	46	10	M38x1,5	0,06	9127294402
50	55	10	M45x1,5	0,08	9127294403
63	55	10	M45x1,5	0,08	9127294403

Cylinder mountings Ø32-Ø125

Rod nut

Intended for fixed mounting on the piston rod. Cylinders are supplied complete with one rod nut. (cylinders with through piston rods are supplied with two rod nuts.)

Material:
Stainless steel, DIN X 5 CrNi 18 10



Cylinder Ø	A mm	B mm	C mm	Weight Kg	Order code
32	17	5	M10x1,25	0,01	9126725404
40	19	6	M12x1,25	0,01	9126725405
50	24	8	M16x1,5	0,02	9126725406
63	24	8	M16x1,5	0,02	9126725406
80	30	10	M20x1,5	0,04	0261109921
100	30	10	M20x1,5	0,04	0261109921
125	41	13,5	M27x2	0,10	0261109922

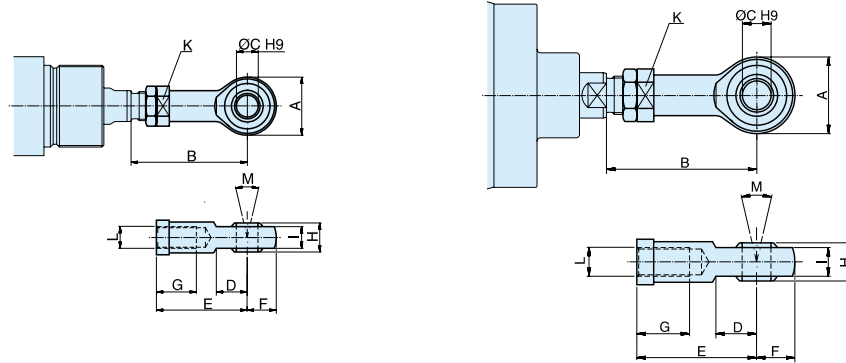
Cylinder mountings Ø32 - Ø125

Swivel rod eye



According to ISO 8139
Intended for articulated mounting of the cylinder. This mounting is adjustable in the axial direction.

Material:
Swivel rod eye: stainless steel, DIN X 5 CrNi 18 10
Ball: hardened stainless steel, DIN X 5 CrNi 18 10



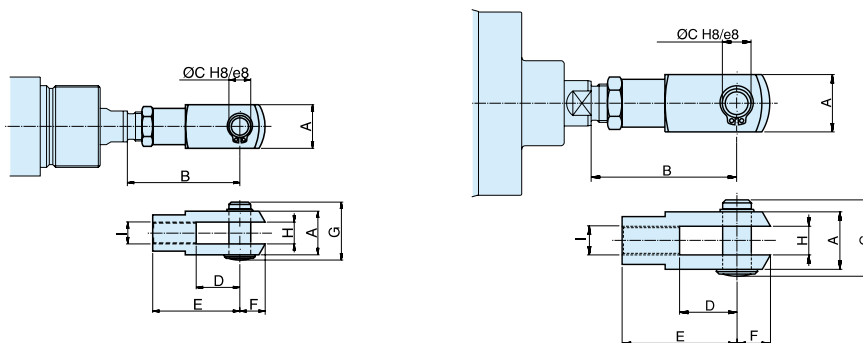
Cyl. Ø mm	A mm	B _{min} mm	B _{max} mm	C mm	D mm	E mm	F mm	G mm	H mm	I mm	K mm	L	M	Weight Kg	Order code
32	28	50	55	10	15	43	14	15	14	10,5	17	M10x1,25	24°	0,08	P1S-4JRT
40	32	56	62	12	17	50	16	22	16	12	19	M12x1,25	24°	0,12	P1S-4LRT
50	42	72	80	16	22	64	21	28	21	15	22	M16x1,5	30°	0,25	P1S-4MRT
63	42	72	80	16	22	64	21	28	21	15	22	M16x1,5	30°	0,25	P1S-4MRT
80	50	87	97	20	26	77	25	33	25	18	32	M20x1,5	30°	0,46	P1S-4PRT
100	50	87	97	20	26	77	25	33	25	18	32	M20x1,5	30°	0,46	P1S-4PRT
125	70	123,5	137	30	36	110	35	51	37	25	41	M27x2	30°	1,28	P1S-4RRT

Clevis



According to ISO 8140
Intended for articulated mounting of the cylinder. This mounting is adjustable in the axial direction. Supplied complete with pin.

Material:
Clevis: stainless steel, DIN X 10 CrNiS 18 9
Pin: stainless steel, DIN X 5 CrNi 18 10
Locking rings according to DIN 471



Cyl. Ø mm	A mm	B _{min} mm	B _{max} mm	C mm	D mm	E mm	F mm	G mm	H mm	I mm	Weight Kg	Order code
32	20	46	52	10	20	40	12	28	10	M10x1,25	0,09	P1S-4JRD
40	24	54	60	12	24	48	19	32	12	M12x1,25	0,15	P1S-4LRD
50	32	72	80	16	32	64	25	42	16	M16x1,5	0,35	P1S-4MRD
63	32	72	80	16	32	64	25	42	16	M16x1,5	0,35	P1S-4MRD
80	40	90	100	20	40	80	32	50	20	M20x1,5	0,75	P1S-4PRD
100	40	90	100	20	40	80	32	50	20	M20x1,5	0,75	P1S-4PRD
125	55	123,5	137	30	54	110	45	72	30	M27x2	2,10	P1S-4RRD

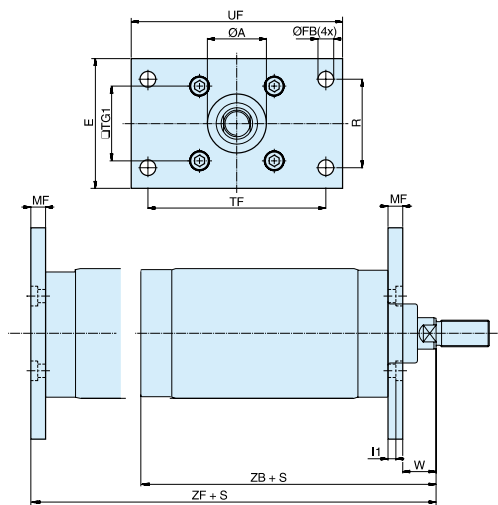
Cylinder mountings

Flange MF1/MF2



Intended for fixed attachment of cylinder version D, E, F or L. The flange is designed for mounting on the front or rear end covers.

Material:
Stainless steel, DIN X 5 CrNiMo 17 13 3



Cylinder Ø mm	A mm	FB mm	E mm	R mm	TF mm	TG1 mm	UF mm	MF mm	I1 mm	W mm	ZB mm	ZF mm	Weight Kg	Order code
80	50,2	12	86	63	126	46	150	12	6	25	178	190	0,97	P1S-4PMB
100	51	14	106	75	150	60	170	12	6	23	193	205	1,42	P1S-4QMB
125	61	16	132	90	180	76	205	15	8	32	230	245	1,55	P1S-4RMB

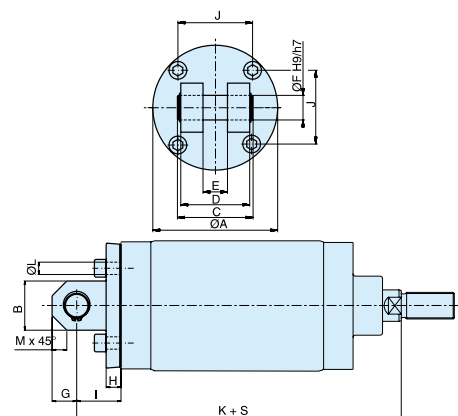
S = Stroke

Clevis bracket MP4



Intended for articulated mounting of cylinder versions D, F, or L. The bracket is mounted on the rear end cover and is supplied complete with shaft, mounting screw and O-ring for a clean joint between end cover and bracket.

Material:
Bracket: stainless steel, DIN X 5 CrNi 18 10
Pin: stainless steel, DIN X 5 CrNiMo 17 13 3



Cylinder Ø mm	A mm	B mm	C mm	D mm	E mm	F mm	G mm	H mm	I mm	J mm	K mm	L mm	M mm	Weight Kg	Order code
80	80	30	57	50	16	16	15	12	32	46	210	8,6	9	0,78	P1S-4PME
100	103	42	67	60	20	20	21	12	37	60	230	10,6	12	1,42	P1S-4QME
125	127	50	77	70	25	25	25	15	45	76	275	12,6	15	2,06	P1S-4RME

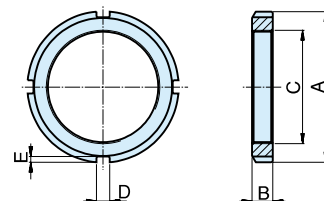
S = Stroke

Mounting nut



Intended for fixed mounting on the front end cover of cylinders according to cylinder version C or D.

Material:
Stainless steel, DIN X 5 CrNi 18 10



Cylinder Ø mm	A mm	B mm	C mm	D mm	E mm	Weight Kg	Order code
80	70	11	M50x1,5	6	2,5	0,16	9126461304
100	70	11	M50x1,5	6	2,5	0,16	9126461304
125	80	11	M60x2	7	3	0,19	9126461305

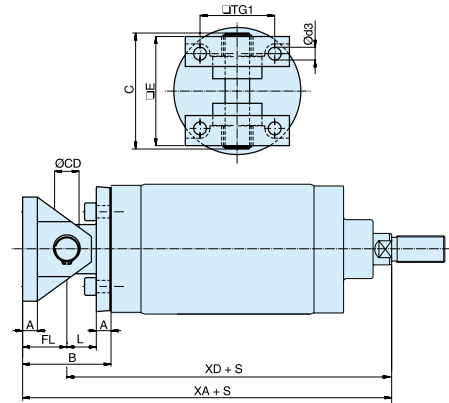
Cylinder mountings

Cylinder mountings

Type	Description	Cyl. bore Ø mm	Weight kg	Order code
Combinated mounting MP2/MP4	Intended for articulated mounting of cylinder versions D, F or L. The unit is mounted on the rear end cover and is combined with bearing brackets MP2 and is supplied complete with shaft, mounting screw and O-ring for a clean joint between end cover and bracket.	80	1,29	P1S-4PML
		100	2,33	P1S-4QML
		125	3,30	P1S-4RML



Material:
 Bearing brackets: stainless steel, DIN X 5 CrNi 18 10
 Journal bearing: stainless steel,
 Journal bearing: DIN X 5 CrNiMo 17 13 3/PTFE
 Bracket: stainless steel, DIN X 5 CrNi 18 10
 Pin: stainless steel, DIN X 5 CrNiMo 17 13 3



Cylinder Ø mm	A mm	B mm	C mm	CD mm	d3 mm	E mm	FL mm	L mm	TG1 mm	XA mm	XD mm
80	12	64	82	16	9	74	32	20	46	242	210
100	12	74	98	20	11	90	37	25	60	267	230
125	15	90	118	25	13	110	45	30	76	320	275

S = Stroke

P1P Short Build Compact Cylinders

According to ISO 21287



The P1P Series is a complete range of ISO 21287 compact cylinders developed to meet the highest requirements for quality and performance. The careful design in every detail provides first class function and service life properties.

Reliability and long service life are key qualities of any pneumatic cylinder. Therefore we have given P1P highest possible quality in every detail based on our 40 years of experience and extensive testing. The design is based on the following important principles.

- **Proven seal design and materials throughout the cylinder. The expertise for seal technology within Parker Hannifin is the basis for leading and proven tribology solutions for all our pneumatic actuators.**
- **Body extrusion in anodised aluminium with extra fine and hard internal surface for optimum operational conditions.**
- **End covers and body extrusion with external anodisation for excellent corrosion resistance.**
- **Stainless steel piston rod for versatile use in corrosive environment.**



Double acting

The versatile high quality ISO compact cylinder range, P1P cylinders are up to 50% shorter than ISO15552 cylinders for the same stroke. Suitable for a wide range of applications.

- Bore 20 - 100 mm
- ISO 21287 conformity
- Corrosion resistant design and low weight construction
- Magnetic piston as standard
- Elastic cushioning
- Flexible direct mounting
- ISO 15552 mountings and global sensor range common with P1D



Operating information

Working pressure: Max 10 bar
Permissible fluid: Air, with or without lubrication

Seals / Temperature options

Standard: -20°C to +80°C
High temperature: -10°C to +120°C
Low temperature: -40°C to +80°C

Prelubricated, further lubrication is not normally necessary. If additional lubrication is introduced it must be continued.

For more information see www.parker.com/euro_pneumatic

Double acting - Female threaded piston rod

Ø20mm - (M5)

Stroke mm	Order code
5	P1PS020DS7G0005
10	P1PS020DS7G0010
15	P1PS020DS7G0015
20	P1PS020DS7G0020
25	P1PS020DS7G0025
30	P1PS020DS7G0030
40	P1PS020DS7G0040
50	P1PS020DS7G0050
60	P1PS020DS7G0060

Ø25mm - (M5)

Stroke mm	Order code
5	P1PS025DS7G0005
10	P1PS025DS7G0010
15	P1PS025DS7G0015
20	P1PS025DS7G0020
25	P1PS025DS7G0025
30	P1PS025DS7G0030
40	P1PS025DS7G0040
50	P1PS025DS7G0050
60	P1PS025DS7G0060

Ø32mm - (G1/8)

Stroke mm	Order code
5	P1PS032DS7G0005
10	P1PS032DS7G0010
15	P1PS032DS7G0015
20	P1PS032DS7G0020
25	P1PS032DS7G0025
30	P1PS032DS7G0030
40	P1PS032DS7G0040
50	P1PS032DS7G0050
60	P1PS032DS7G0060
80	P1PS032DS7G0080

Ø40mm - (G1/8)

Stroke mm	Order code
5	P1PS040DS7G0005
10	P1PS040DS7G0010
15	P1PS040DS7G0015
20	P1PS040DS7G0020
25	P1PS040DS7G0025
30	P1PS040DS7G0030
40	P1PS040DS7G0040
50	P1PS040DS7G0050
60	P1PS040DS7G0060
80	P1PS040DS7G0080

Ø50mm - (G1/8)

Stroke mm	Order code
5	P1PS050DS7G0005
10	P1PS050DS7G0010
15	P1PS050DS7G0015
20	P1PS050DS7G0020
25	P1PS050DS7G0025
30	P1PS050DS7G0030
40	P1PS050DS7G0040
50	P1PS050DS7G0050
60	P1PS050DS7G0060
80	P1PS050DS7G0080

Ø63mm - (G1/8)

Stroke mm	Order code
5	P1PS063DS7G0005
10	P1PS063DS7G0010
15	P1PS063DS7G0015
20	P1PS063DS7G0020
25	P1PS063DS7G0025
30	P1PS063DS7G0030
40	P1PS063DS7G0040
50	P1PS063DS7G0050
60	P1PS063DS7G0060
80	P1PS063DS7G0080

Ø80mm - (G1/8)

Stroke mm	Order code
5	P1PS080DS7G0005
10	P1PS080DS7G0010
15	P1PS080DS7G0015
20	P1PS080DS7G0020
25	P1PS080DS7G0025
30	P1PS080DS7G0030
40	P1PS080DS7G0040
50	P1PS080DS7G0050
60	P1PS080DS7G0060
80	P1PS080DS7G0080
100	P1PS080DS7G0100

Ø100mm - (G1/8)

Stroke mm	Order code
10	P1PS100DS7G0010
15	P1PS100DS7G0015
20	P1PS100DS7G0020
25	P1PS100DS7G0025
30	P1PS100DS7G0030
40	P1PS100DS7G0040
50	P1PS100DS7G0050
60	P1PS100DS7G0060
80	P1PS100DS7G0080
100	P1PS100DS7G0100

Sensors



For sensors see page 78.

Double acting - Guided

This cylinder version feature twin guide rods connected to the piston rod by a large flange plate. These cylinders are ideal for clamping an moving applications where turning of the piston rod must be avoided.



Double acting - Guided

Ø20mm - (M5)

Stroke mm	Order code
5	P1PG020DS7G0005
10	P1PG020DS7G0010
15	P1PG020DS7G0015
20	P1PG020DS7G0020
25	P1PG020DS7G0025
30	P1PG020DS7G0030
40	P1PG020DS7G0040
50	P1PG020DS7G0050
60	P1PG020DS7G0060

Ø25mm - (M5)

Stroke mm	Order code
5	P1PG025DS7G0005
10	P1PG025DS7G0010
15	P1PG025DS7G0015
20	P1PG025DS7G0020
25	P1PG025DS7G0025
30	P1PG025DS7G0030
40	P1PG025DS7G0040
50	P1PG025DS7G0050
60	P1PG025DS7G0060

Ø32mm - (G1/8)

Stroke mm	Order code
5	P1PG032DS7G0005
10	P1PG032DS7G0010
15	P1PG032DS7G0015
20	P1PG032DS7G0020
25	P1PG032DS7G0025
30	P1PG032DS7G0030
40	P1PG032DS7G0040
50	P1PG032DS7G0050
60	P1PG032DS7G0060
80	P1PG032DS7G0080

Ø40mm - (G1/8)

Stroke mm	Order code
5	P1PG040DS7G0005
10	P1PG040DS7G0010
15	P1PG040DS7G0015
20	P1PG040DS7G0020
25	P1PG040DS7G0025
30	P1PG040DS7G0030
40	P1PG040DS7G0040
50	P1PG040DS7G0050
60	P1PG040DS7G0060
80	P1PG040DS7G0080

Ø50mm - (G1/8)

Stroke mm	Order code
5	P1PG050DS7G0005
10	P1PG050DS7G0010
15	P1PG050DS7G0015
20	P1PG050DS7G0020
25	P1PG050DS7G0025
30	P1PG050DS7G0030
40	P1PG050DS7G0040
50	P1PG050DS7G0050
60	P1PG050DS7G0060
80	P1PG050DS7G0080

Ø63mm - (G1/8)

Stroke mm	Order code
5	P1PG063DS7G0005
10	P1PG063DS7G0010
15	P1PG063DS7G0015
20	P1PG063DS7G0020
25	P1PG063DS7G0025
30	P1PG063DS7G0030
40	P1PG063DS7G0040
50	P1PG063DS7G0050
60	P1PG063DS7G0060
80	P1PG063DS7G0080

Ø80mm - (G1/8)

Stroke mm	Order code
5	P1PG080DS7G0005
10	P1PG080DS7G0010
15	P1PG080DS7G0015
20	P1PS080DS7G0020
25	P1PG080DS7G0025
30	P1PG080DS7G0030
40	P1PG080DS7G0040
50	P1PG080DS7G0050
60	P1PG080DS7G0060
80	P1PG080DS7G0080
100	P1PG080DS7G0100

Ø100mm - (G1/8)

Stroke mm	Order code
10	P1PG100DS7G0010
15	P1PG100DS7G0015
20	P1PG100DS7G0020
25	P1PG100DS7G0025
30	P1PG100DS7G0030
40	P1PG100DS7G0040
50	P1PG100DS7G0050
60	P1PG100DS7G0060
80	P1PG100DS7G0080
100	P1PG100DS7G0100

Sensors



For sensors see page 78.

Single acting

Single acting P1P cylinders are available in bore sizes 20 - 63 mm and in two versions to suit a wide range of applications. Choose between the spring return (SS) and the spring extended (TS) versions.



Single acting - Spring return - Female threaded piston rod

Ø20mm - (M5)

Stroke mm	Order code
25	P1PS020SS7G0025

Ø25mm - (M5)

Stroke mm	Order code
25	P1PS025SS7G0025

Ø32mm - (G1/8)

Stroke mm	Order code
25	P1PS032SS7G0025

Ø40mm - (G1/8)

Stroke mm	Order code
25	P1PS040SS7G0025

Ø50mm - (G1/8)

Stroke mm	Order code
25	P1PS050SS7G0025

Ø63mm - (G1/8)

Stroke mm	Order code
25	P1PS063SS7G0025



Single acting - Spring extended - Female threaded piston rod

Ø20mm - (M5)

Stroke mm	Order code
25	P1PS020TS7G0025

Ø25mm - (M5)

Stroke mm	Order code
25	P1PS025TS7G0025

Ø32mm - (G1/8)

Stroke mm	Order code
25	P1PS032TS7G0025

Ø40mm - (G1/8)

Stroke mm	Order code
25	P1PS040TS7G0025

Ø50mm - (G1/8)

Stroke mm	Order code
25	P1PS050TS7G0025

Ø63mm - (G1/8)

Stroke mm	Order code
25	P1PS063TS7G0025

Note: Within limits other stroke lengths close to above standard stroke can be realised with corresponding change of the spring force.

Sensors



For sensors see page 78.

Double acting - Through piston rod

The P1P through rod cylinder version is available in bore sizes 20 - 100 mm. This cylinder type is used in many ways e.g. in applications with higher lateral forces or when performing a movement on both sides of the cylinder.



Double acting - Through piston rod - Female threaded piston rod

Ø20mm - (M5)

Stroke mm	Order code
5	P1PS020KS7G0005
10	P1PS020KS7G0010
15	P1PS020KS7G0015
20	P1PS020KS7G0020
25	P1PS020KS7G0025
30	P1PS020KS7G0030
40	P1PS020KS7G0040
50	P1PS020KS7G0050
60	P1PS020KS7G0060

Ø25mm - (M5)

Stroke mm	Order code
5	P1PS025KS7G0005
10	P1PS025KS7G0010
15	P1PS025KS7G0015
20	P1PS025KS7G0020
25	P1PS025KS7G0025
30	P1PS025KS7G0030
40	P1PS025KS7G0040
50	P1PS025KS7G0050
60	P1PS025KS7G0060

Ø32mm - (G1/8)

Stroke mm	Order code
5	P1PS032KS7G0005
10	P1PS032KS7G0010
15	P1PS032KS7G0015
20	P1PS032KS7G0020
25	P1PS032KS7G0025
30	P1PS032KS7G0030
40	P1PS032KS7G0040
50	P1PS032KS7G0050
60	P1PS032KS7G0060
80	P1PS032KS7G0080

Ø40mm - (G1/8)

Stroke mm	Order code
5	P1PS040KS7G0005
10	P1PS040KS7G0010
15	P1PS040KS7G0015
20	P1PS040KS7G0020
25	P1PS040KS7G0025
30	P1PS040KS7G0030
40	P1PS040KS7G0040
50	P1PS040KS7G0050
60	P1PS040KS7G0060
80	P1PS040KS7G0080

Ø50mm - (G1/8)

Stroke mm	Order code
5	P1PS050KS7G0005
10	P1PS050KS7G0010
15	P1PS050KS7G0015
20	P1PS050KS7G0020
25	P1PS050KS7G0025
30	P1PS050KS7G0030
40	P1PS050KS7G0040
50	P1PS050KS7G0050
60	P1PS050KS7G0060
80	P1PS050KS7G0080

Ø63mm - (G1/8)

Stroke mm	Order code
5	P1PS063KS7G0005
10	P1PS063KS7G0010
15	P1PS063KS7G0015
20	P1PS063KS7G0020
25	P1PS063KS7G0025
30	P1PS063KS7G0030
40	P1PS063KS7G0040
50	P1PS063KS7G0050
60	P1PS063KS7G0060
80	P1PS063KS7G0080

Ø80mm - (G1/8)

Stroke mm	Order code
5	P1PS080KS7G0005
10	P1PS080KS7G0010
15	P1PS080KS7G0015
20	P1PS080KS7G0020
25	P1PS080KS7G0025
30	P1PS080KS7G0030
40	P1PS080KS7G0040
50	P1PS080KS7G0050
60	P1PS080KS7G0060
80	P1PS080KS7G0080
100	P1PS080KS7G0100

Ø100mm - (G1/8)

Stroke mm	Order code
10	P1PS100KS7G0010
15	P1PS100KS7G0015
20	P1PS100KS7G0020
25	P1PS100KS7G0025
30	P1PS100KS7G0030
40	P1PS100KS7G0040
50	P1PS100KS7G0050
60	P1PS100KS7G0060
80	P1PS100KS7G0080
100	P1PS100KS7G0100

Sensors



For sensors see page 78.

Double acting - Low temperature

This P1P cylinder version is developed for use in temperatures down to -40°C . It is available in bore sizes 20 - 100 mm. With the combination of compactness and corrosion resistance the P1P low temperature version can be used in many industries e.g. Bus, Truck and Rail applications.



Double acting - Low temperature - Female threaded piston rod

Ø20mm - (M5)

Stroke mm	Order code
5	P1PS020DL7G0005
10	P1PS020DL7G0010
15	P1PS020DL7G0015
20	P1PS020DL7G0020
25	P1PS020DL7G0025
30	P1PS020DL7G0030
40	P1PS020DL7G0040
50	P1PS020DL7G0050
60	P1PS020DL7G0060

Ø25mm - (M5)

Stroke mm	Order code
5	P1PS025DL7G0005
10	P1PS025DL7G0010
15	P1PS025DL7G0015
20	P1PS025DL7G0020
25	P1PS025DL7G0025
30	P1PS025DL7G0030
40	P1PS025DL7G0040
50	P1PS025DL7G0050
60	P1PS025DL7G0060

Ø32mm - (G1/8)

Stroke mm	Order code
5	P1PS032DL7G0005
10	P1PS032DL7G0010
15	P1PS032DL7G0015
20	P1PS032DL7G0020
25	P1PS032DL7G0025
30	P1PS032DL7G0030
40	P1PS032DL7G0040
50	P1PS032DL7G0050
60	P1PS032DL7G0060
80	P1PS032DL7G0080

Ø40mm - (G1/8)

Stroke mm	Order code
5	P1PS040DL7G0005
10	P1PS040DL7G0010
15	P1PS040DL7G0015
20	P1PS040DL7G0020
25	P1PS040DL7G0025
30	P1PS040DL7G0030
40	P1PS040DL7G0040
50	P1PS040DL7G0050
60	P1PS040DL7G0040
80	P1PS040DL7G0050

Ø50mm - (G1/8)

Stroke mm	Order code
5	P1PS050DL7G0005
10	P1PS050DL7G0010
15	P1PS050DL7G0015
20	P1PS050DL7G0020
25	P1PS050DL7G0025
30	P1PS050DL7G0030
40	P1PS050DL7G0040
50	P1PS050DL7G0050
60	P1PS050DL7G0060
80	P1PS050DL7G0080

Ø63mm - (G1/8)

Stroke mm	Order code
5	P1PS063DL7G0005
10	P1PS063DL7G0010
15	P1PS063DL7G0015
20	P1PS063DL7G0020
25	P1PS063DL7G0025
30	P1PS063DL7G0030
40	P1PS063DL7G0040
50	P1PS063DL7G0050
60	P1PS063DL7G0060
80	P1PS063DL7G0080

Ø80mm - (G1/8)

Stroke mm	Order code
5	P1PS080DL7G0005
10	P1PS080DL7G0010
15	P1PS080DL7G0015
20	P1PS080DL7G0020
25	P1PS080DL7G0025
30	P1PS080DL7G0030
40	P1PS080DL7G0040
50	P1PS080DL7G0050
60	P1PS080DL7G0060
80	P1PS080DL7G0080
100	P1PS080DL7G0100

Ø100mm - (G1/8)

Stroke mm	Order code
10	P1PS100DL7G0010
15	P1PS100DL7G0015
20	P1PS100DL7G0020
25	P1PS100DL7G0025
30	P1PS100DL7G0030
40	P1PS100DL7G0040
50	P1PS100DL7G0050
60	P1PS100DL7G0060
80	P1PS100DL7G0080
100	P1PS100DL7G0100

Sensors



For sensors see page 78.

Double acting - High temperature

Use this P1P cylinder version, available in bore sizes 20 - 100 mm, for high temperature applications with temperatures up to +120°C. The chemical resistance thanks to the design in anodised aluminium is an advantage in many high temperature applications.



Double acting - High temperature - Female threaded piston rod

Ø20mm - (M5)

Stroke mm	Order code
5	P1PS020DF7G0005
10	P1PS020DF7G0010
15	P1PS020DF7G0015
20	P1PS020DF7G0020
25	P1PS020DF7G0025
30	P1PS020DF7G0030
40	P1PS020DF7G0040
50	P1PS020DF7G0050
60	P1PS020DF7G0060

Ø25mm - (M5)

Stroke mm	Order code
5	P1PS025DF7G0005
10	P1PS025DF7G0010
15	P1PS025DF7G0015
20	P1PS025DF7G0020
25	P1PS025DF7G0025
30	P1PS025DF7G0030
40	P1PS025DF7G0040
50	P1PS025DF7G0050
60	P1PS025DF7G0060

Ø32mm - (G1/8)

Stroke mm	Order code
5	P1PS032DF7G0005
10	P1PS032DF7G0010
15	P1PS032DF7G0015
20	P1PS032DF7G0020
25	P1PS032DF7G0025
30	P1PS032DF7G0030
40	P1PS032DF7G0040
50	P1PS032DF7G0050
60	P1PS032DF7G0060
80	P1PS032DF7G0080

Ø40mm - (G1/8)

Stroke mm	Order code
5	P1PS040DF7G0005
10	P1PS040DF7G0010
15	P1PS040DF7G0015
20	P1PS040DF7G0020
25	P1PS040DF7G0025
30	P1PS040DF7G0030
40	P1PS040DF7G0040
50	P1PS040DF7G0050
60	P1PS040DF7G0040
80	P1PS040DF7G0050

Ø50mm - (G1/8)

Stroke mm	Order code
5	P1PS050DF7G0005
10	P1PS050DF7G0010
15	P1PS050DF7G0015
20	P1PS050DF7G0020
25	P1PS050DF7G0025
30	P1PS050DF7G0030
40	P1PS050DF7G0040
50	P1PS050DF7G0050
60	P1PS050DF7G0060
80	P1PS050DF7G0080

Ø63mm - (G1/8)

Stroke mm	Order code
5	P1PS063DF7G0005
10	P1PS063DF7G0010
15	P1PS063DF7G0015
20	P1PS063DF7G0020
25	P1PS063DF7G0025
30	P1PS063DF7G0030
40	P1PS063DF7G0040
50	P1PS063DF7G0050
60	P1PS063DF7G0060
80	P1PS063DF7G0080

Ø80mm - (G1/8)

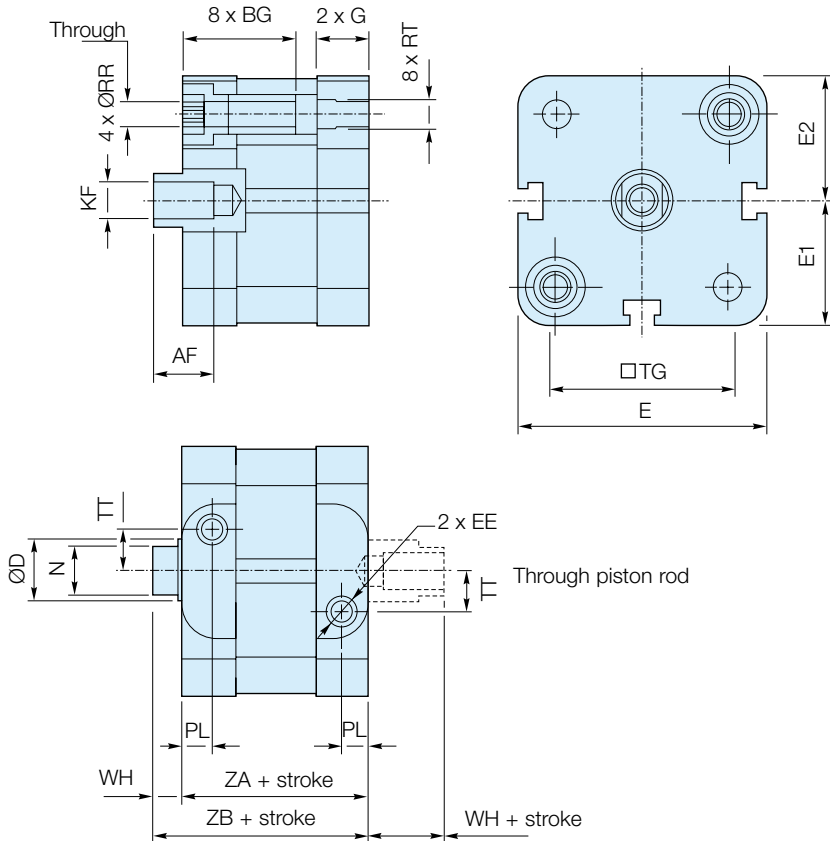
Stroke mm	Order code
5	P1PS080DF7G0005
10	P1PS080DF7G0010
15	P1PS080DF7G0015
20	P1PS080DF7G0020
25	P1PS080DF7G0025
30	P1PS080DF7G0030
40	P1PS080DF7G0040
50	P1PS080DF7G0050
60	P1PS080DF7G0060
80	P1PS080DF7G0080
100	P1PS080DF7G0100

Ø100mm - (G1/8)

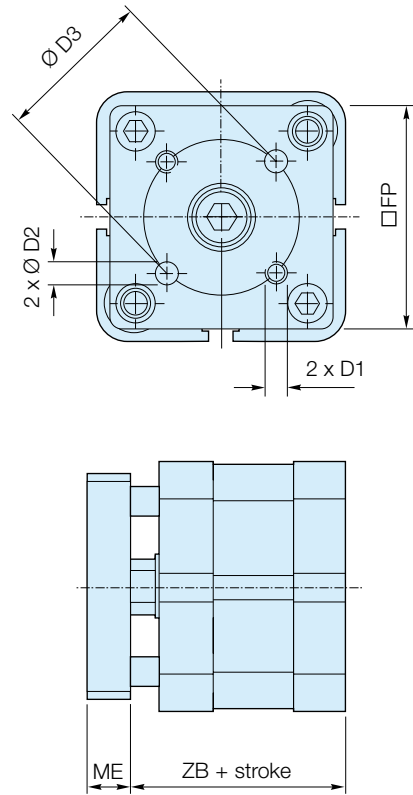
Stroke mm	Order code
10	P1PS100DF7G0010
15	P1PS100DF7G0015
20	P1PS100DF7G0020
25	P1PS100DF7G0025
30	P1PS100DF7G0030
40	P1PS100DF7G0040
50	P1PS100DF7G0050
60	P1PS100DF7G0060
80	P1PS100DF7G0080
100	P1PS100DF7G0100

Dimensions - Bore 20 - 63mm

P1PS...DS7G Double acting with female piston rod thread

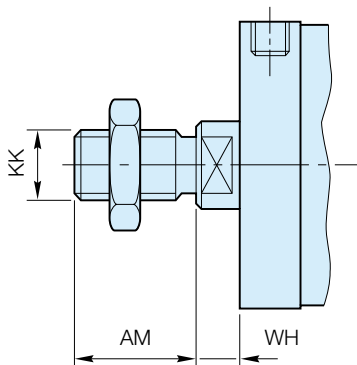


P1PG...DS Double acting with guided piston rod



Bore size	AF min	BG min	ØD	D1	ØD2 H8	ØD3	EE	E	E1	E2	FP	G	KF	ME	N h14	PL	ØRR min	RT	TG	TT	WH	ZA ± 0,3	ZB ± 0,6
Ø20	10	15	10	M4	4	17	M5	38,0	19,0	19,1	35	11,60	M6	8	8	7,6	4,1	M5	22,0	4,0	6	37	43
Ø25	10	15	10	M5	5	22	M5	41,0	20,5	20,6	38	11,90	M6	8	8	7,5	4,1	M5	26,0	5,5	6	39	45
Ø32	12	16	12	M5	5	28	G1/8	49,4	24,7	24,9	45	15,25	M8	10	10	7,8	5,1	M6	32,5	6,5	7	44	51
Ø40	12	16	12	M5	5	33	G1/8	56,0	28,0	28,5	50	15,25	M8	10	10	8,0	5,1	M6	38,0	8,0	7	45	52
Ø50	16	16	16	M6	6	42	G1/8	67,0	33,5	33,7	60	14,30	M10	12	13	7,7	6,4	M8	46,5	11,0	8	45	53
Ø63	16	16	16	M6	6	50	G1/8	79,0	39,5	39,8	70	16,30	M10	12	13	8,0	6,4	M8	56,5	16,0	8	49	57

P1PS...DS8G Double acting with male piston rod thread

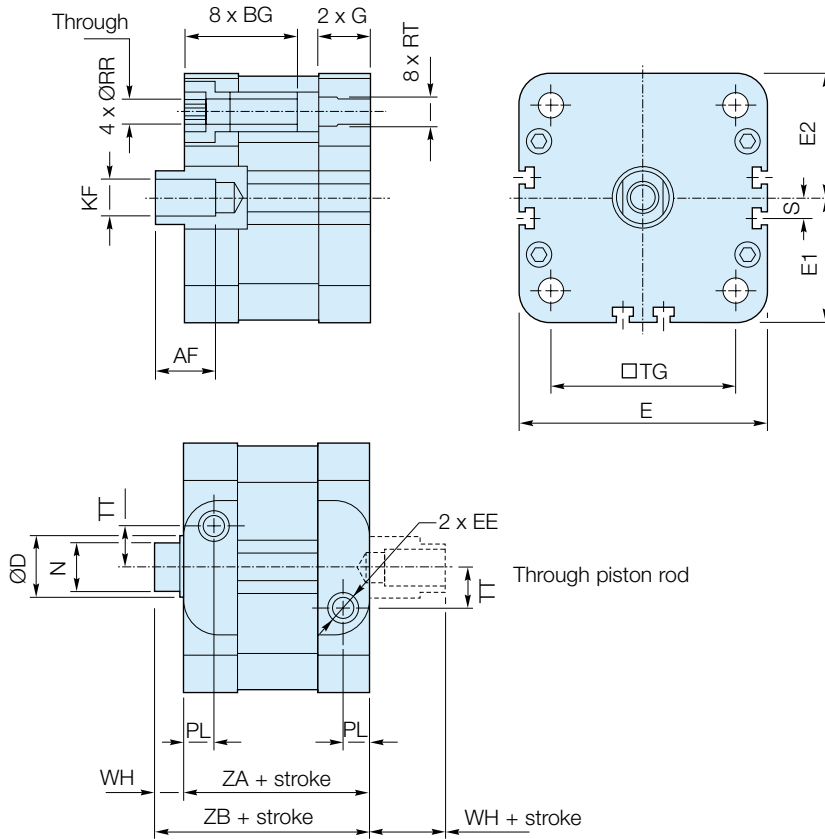


Bore size	AM +0 -0.5	WH		KK
		nom.	tol.	
Ø20	16	6	± 1,6	M8 x 1,25
Ø25	16	6	± 1,6	M8 x 1,25
Ø32	19	7	± 1,6	M10 x 1,25
Ø40	19	7	± 1,6	M10 x 1,25
Ø50	22	8	± 1,6	M12 x 1,25
Ø63	22	8	± 1,6	M12 x 1,25

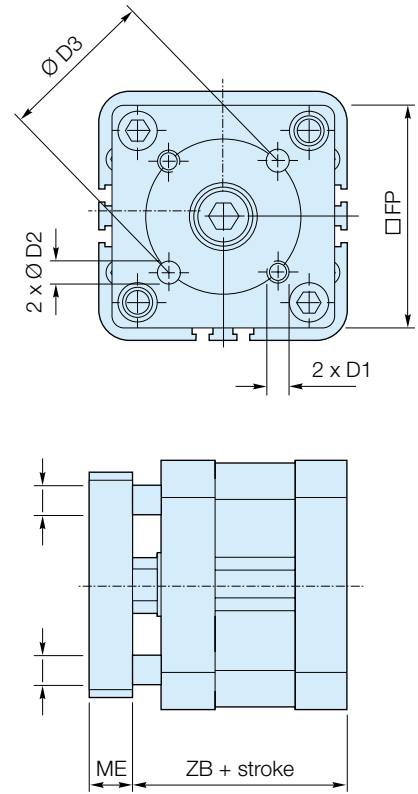
Note: Cylinders with male piston rod thread are delivered with one piston rod nut in zinc plated steel

Dimensions - Bore 80 - 100mm

P1PS...DS7G Double acting with female piston rod thread

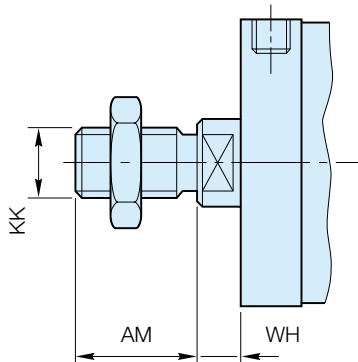


P1PG...DS Double acting with guided piston rod



Bore size	AF	BG	ØD	D1	ØD2	ØD3	EE	E	E1	E2	FP	G	KF	ME	N	PL	ØRR	RT	S	TG	TT	WH	ZA	ZB
	min	min				H8									h14		min					± 0,3	± 0,6	
Ø80	20	17	20	M8	8	65	G1/8	96	48,0	48,2	90	17,7	M12	14	17	10,5	8,4	M10	8	72	20	10	54	64
Ø100	20	17	25	M10	10	80	G1/8	115	57,5	57,7	110	23,0	M12	14	21	12,0	8,4	M10	18,5	89	24	10	67	77

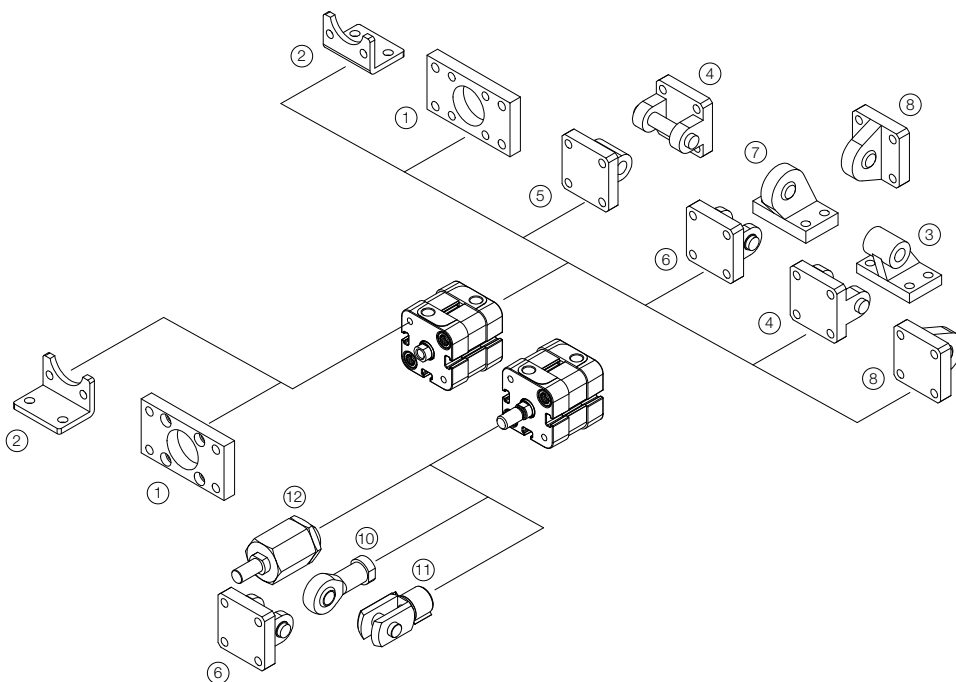
P1PS...DS8G Double acting with male piston rod thread



Bore size	AM	WH		KK
		nom.	tol.	
Ø80	28	10	± 1,6	M16 x 1,5
Ø100	28	10	± 1,6	M16 x 1,5

Note: Cylinders with male piston rod thread are delivered with one piston rod nut in zinc plated steel

	Flange MF1 / MF2 ¹	Foot brackets MS1 ²	Pivot bracket with rigid bearing AB7 ³	Clevis bracket MP2 ⁴	Clevis bracket MP4 ⁵
Ø 20	P1P-4HMB	P1P-4HMF			P1P-4HME
Ø 25	P1P-4JMB	P1P-4JMF			P1P-4JME
Ø 32	P1C-4KMB	P1C-4KMF	P1C-4KMD	P1C-4KMT	P1C-4KME
Ø 40	P1C-4LMB	P1C-4LMF	P1C-4LMD	P1C-4LMT	P1C-4LME
Ø 50	P1C-4MMB	P1C-4MMF	P1C-4MMD	P1C-4MMT	P1C-4MME
Ø 63	P1C-4NMB	P1C-4NMF	P1C-4NMD	P1C-4NMT	P1C-4NME
Ø 80	P1C-4PMB	P1C-4PMF	P1C-4PMD	P1C-4PMT	P1C-4PME
Ø 100	P1C-4QMB	P1C-4QMF	P1C-4QMD	P1C-4QMT	P1C-4QME
	Clevis bracket AB6 ⁶	Pivot bracket with swivel bearing AB5 ⁷	Swivel eye bracket MP6 ⁸	3 and 4 positions flange	Swivel rod eye AP6 ¹⁰
Ø 20					P1A-4HRS
Ø 25					P1A-4HRS
Ø 32	P1C-4KMCA	P1C-4KMA	P1C-4KMSA	P1E-6KB0	P1C-4KRS
Ø 40	P1C-4LMCA	P1C-4LMA	P1C-4LMSA	P1E-6LB0	P1C-4KRS
Ø 50	P1C-4MMCA	P1C-4MMA	P1C-4MMSA	P1E-6MB0	P1C-4LRS
Ø 63	P1C-4NMCA	P1C-4NMA	P1C-4NMSA	P1E-6NB0	P1C-4LRS
Ø 80	P1C-4PMCA	P1C-4PMA	P1C-4PMSA	P1E-6PB0	P1C-4MRS
Ø 100	P1C-4QMCA	P1C-4QMA	P1C-4QMSA	P1E-6QB0	P1C-4MRS
	Clevis AP2 ¹¹	Flexo coupling PM5 ¹²	Zinc-plated nut MR9 (Pack of 10 off)		
Ø 20	P1A-4HRC	P1C-4HRF	P14-4HRPZ		
Ø 25	P1A-4HRC	P1C-4HRF	P14-4HRPZ		
Ø 32	P1C-4KRC	P1C-4KRF	P14-4KRPZ		
Ø 40	P1C-4KRC	P1C-4KRF	P14-4KRPZ		
Ø 50	P1C-4LRC	P1C-4LRF	P14-4LRPZ		
Ø 63	P1C-4LRC	P1C-4LRF	P14-4LRPZ		
Ø 80	P1C-4MRC	P1C-4MRF	P14-4MRPZ		
Ø 100	P1C-4MRC	P1C-4MRF	P14-4MRPZ		



Cylinder mountings

Flange MF1/MF2



Intended for fixed mounting of cylinder. Flange can be fitted to front- or rear end-plates of cylinder.

Materials
Flange: Surface-treated steel
Mounting screws according to DIN 6912: Zinc-plated steel 8.8

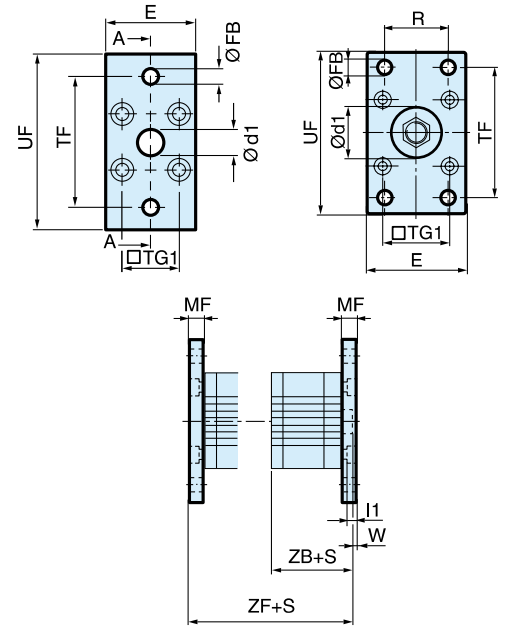
Supplied complete with mounting screws for attachment to cylinder.

Ø32-100 according to ISO MF1/MF2, VDMA, AFNOR

Cyl. bore	d1	FB	TG1	E	R	MF	TF	UF	I1	W	ZF*	ZB*
mm	H11	H13			JS14	JS14	JS14		-0,5		mm	mm
mm	mm	mm	mm	mm	mm	mm	mm	mm	mm	mm	mm	mm
20	12,0	6,6	22,0	36	-	10,0	55,0	70	5,4	4,0	53,0	43,0
25	12,0	6,6	26,0	40	-	10,0	60,0	76	5,4	4,0	55,0	45,0
32	30,0	7,0	32,5	45	32	10,0	64,0	80	5,0	3,0	61,0	41,0
40	35,0	9,0	38,0	52	36	10,0	72,0	90	5,0	3,0	52,0	52,0
50	40,0	9,0	46,5	65	45	12,0	90,0	110	6,5	4,0	65,0	53,0
63	45,0	9,0	56,5	75	50	12,0	100,0	120	6,5	4,0	69,0	57,0
80	45,0	12,0	72,0	95	63	16,0	126,0	150	8,0	6,0	80,0	64,0
100	55,0	14,0	89,0	115	75	16,0	150,0	170	8,0	6,0	93,0	77,0

S = Stroke length

Cyl. bore Ø mm	Weight kg	Order code
20	0,17	P1P-4HMB
25	0,20	P1P-4JMB
32	0,23	P1C-4KMB
40	0,28	P1C-4LMB
50	0,53	P1C-4MMB
63	0,71	P1C-4NMB
80	1,59	P1C-4PMB
100	2,19	P1C-4QMB



Foot brackets MS1



Intended for fixed mounting of cylinder. Angle bracket can be fitted to front- and rear end-plates of cylinder.

Materials
Foot bracket: Surface-treated steel, black
Mounting screws according to DIN 912: Zinc-plated steel 8.8

Supplied in pairs with mounting screws for attachment to cylinder.

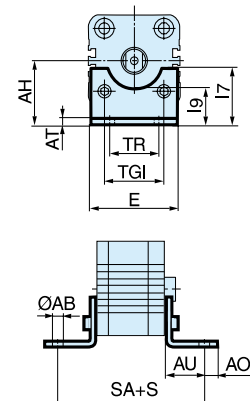
Cyl. bore Ø mm	Weight kg	Order code
20	0,04**	P1P-4HMF
25	0,05**	P1P-4JMF
32	0,06**	P1C-4KMF
40	0,08**	P1C-4LMF
50	0,16**	P1C-4MMF
63	0,25**	P1C-4NMF*
80	0,50**	P1C-4PMF
100	0,85**	P1C-4QMF*

** Weight per item

Ø32-63 according to ISO MS1, VDMA, AFNOR

Cyl. bore	AB	TG1	E	TR	AO	AU	AH	I7	AT	I9	SA**
mm	H14			JS14			JS15			JS14	mm
mm	mm	mm	mm	mm	mm	mm	mm	mm	mm	mm	mm
20	6,6	22,0	36	26	6,0	16,0	27	22,0	4,0	17,0	69,0
25	6,6	26,0	40	26	6,0	16,0	30	23,0	4,0	19,0	71,0
32	7,0	32,5	45	32	10,0	24,0	32	30,0	4,5	17,5	92,0
40	9,0	38,0	52	36	8,0	28,0	36	30,0	4,5	18,5	101,0
50	9,0	46,5	65	45	13,0	32,0	45	36,0	5,5	25,0	109,0
63	9,0	56,5	75	50	13,0	32,0	50	35,0	5,5	27,5	113,0
80	12,0	72,0	95	63	14,0	41,0	63	49,0	6,5	40,5	136,0
100	14,0	89,0	115	75	15,0	41,0	71	54,0	6,5	43,5	149,0

S = Stroke length



Cylinder mountings

Pivot bracket with rigid bearing AB7



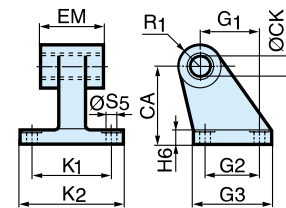
Intended for flexible mounting of cylinder. The pivot bracket can be combined with clevis bracket MP2.

Materials
 Pivot bracket: Surface-treated aluminium, black
 Bearing: Sintered oil-bronze bushing

Cyl. bore Ø mm	Weight kg	Order code
32	0,06	P1C-4KMD
40	0,08	P1C-4LMD
50	0,15	P1C-4MMD
63	0,20	P1C-4NMD
80	0,33	P1C-4PMD
100	0,49	P1C-4QMD

According to CETOP RP 107 P, VDMA, AFNOR

Cyl. bore mm	CK H9 mm	S5 H13 mm	K1 JS14 mm	K2 mm	G1 JS14 mm	G2 JS14 mm	EM mm	G3 mm	CA JS15 mm	H6 mm	R1 mm
32	10	6,6	38	51	21	18	25,5	31	32	8	10
40	12	6,6	41	54	24	22	27,0	35	36	10	11
50	12	9,0	50	65	33	30	31,0	45	45	12	13
63	16	9,0	52	67	37	35	39,0	50	50	12	15
80	16	11,0	66	86	47	40	49,0	60	63	14	15
100	20	11,0	76	96	55	50	59,0	70	71	15	19



Clevis bracket MP2



Intended for flexible mounting of cylinder. Clevis bracket MP2 can be combined with clevis bracket MP4.

Materials
 Clevis bracket: Surface-treated aluminium, black
 Mounting screws according to DIN 912:
 Zinc-plated steel 8.8
 Pin: surface treated steel

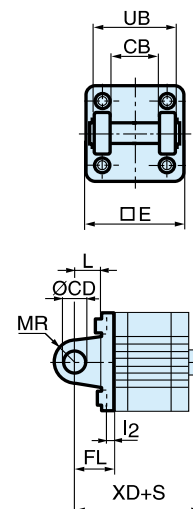
Supplied complete with mounting screws for attachment to cylinder.

Cyl. bore Ø mm	Weight kg	Order code
32	0,08	P1C-4KMT
40	0,11	P1C-4LMT
50	0,14	P1C-4MMT
63	0,29	P1C-4NMT
80	0,36	P1C-4PMT
100	0,64	P1C-4QMT

According to ISO MP2, VDMA, AFNOR

Cyl. bore mm	E mm	UB h14 mm	CB H14 mm	FL ±0,2 mm	L mm	l2 mm	CD H9 mm	MR mm	XD* mm
32	45,0	45	26,0	22	13	5,5	10	10	73,0
40	52,0	52	28,0	25	16	5,5	12	12	77,0
50	65,0	60	32,0	27	16	6,5	12	12	80,0
63	75,0	70	40,0	32	21	6,5	16	16	89,0
80	95,0	90	50,0	36	22	10,0	16	16	100,0
100	115,0	110	60,0	41	27	10,0	20	20	118,0

S = Stroke length



Cylinder mountings

Clevis bracket MP4



Intended for flexible mounting of cylinder. Clevis bracket MP4 can be combined with clevis bracket MP2.

Materials
 Clevis bracket: Surface-treated aluminium, black
 Mounting screws according to DIN 912: Zinc-plated steel 8.8

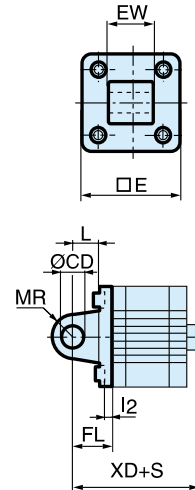
Supplied complete with mounting screws for attachment to cylinder.

Ø32-100 according to ISO MP4, VDMA, AFNOR

Cyl. bore mm	E mm	EW mm	FL mm ±0,2	L mm	I2 mm	CD mm H9	MR mm	XD* mm
20	34,0	16,0	20	14	2,6	8	8	63,0
25	38,0	16,0	20	14	2,6	8	8	65,0
32	45,0	26,0	22	13	5,5	10	10	73,0
40	52,0	28,0	25	16	5,5	12	12	77,0
50	65,0	32,0	27	16	6,5	12	12	80,0
63	75,0	40,0	32	21	6,5	16	16	89,0
80	95,0	50,0	36	22	10,0	16	16	100,0
100	115,0	60,0	41	27	10,0	20	20	118,0

S = Stroke length

Cyl. bore Ø mm	Weight kg	Order code
20	0,04	P1P-4HME
25	0,05	P1P-4JME
32	0,09	P1C-4KME
40	0,13	P1C-4LME
50	0,17	P1C-4MME
63	0,36	P1C-4NME
80	0,46	P1C-4PME
100	0,83	P1C-4QME



Clevis bracket AB6



Intended for flexible mounting of cylinder. Clevis bracket GA can be combined with pivot bracket with swivel bearing, swivel eye bracket and swivel rod eye.

Materials
 Clevis bracket: Surface-treated aluminium, black
 Pin: Surface hardened steel
 Locking pin: Spring steel
 Circlips according to DIN 471: Spring steel
 Mounting screws acc. to DIN 912: Zinc-plated steel 8.8

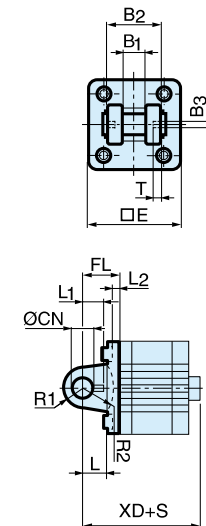
Supplied complete with mounting screws for attachment to cylinder.

According to VDMA, AFNOR

Cyl. bore mm	E mm	B2 mm	B1 mm	T mm	B3 mm	R2 mm	L1 mm	FL mm ±0,2	I2 mm	L mm	CN mm F7	R1 mm	XD* mm
32	45	34	14	3	3,3	17	11,5	22	5,5	12	10	11	73,0
40	52	40	16	4	4,3	20	12,0	25	5,5	15	12	13	77,0
50	65	45	21	4	4,3	22	14,0	27	6,5	17	16	18	80,0
63	75	51	21	4	4,3	25	14,0	32	6,5	20	16	18	89,0
80	95	65	25	4	4,3	30	16,0	36	10,0	20	20	22	100,0
100	115	75	25	4	4,3	32	16,0	41	10,0	25	20	22	118,0

S = Stroke length

Cyl. bore Ø mm	Weight kg	Order code
32	0,09	P1C-4KMCA
40	0,13	P1C-4LMCA
50	0,17	P1C-4MMCA
63	0,36	P1C-4NMCA
80	0,58	P1C-4PMCA
100	0,89	P1C-4QMCA



Stainless steel Pin Set AB6

Materials
 Pin: Stainless steel
 Locking pin: Stainless steel
 Circlips according to DIN 471: Stainless steel

Cyl. bore Ø mm	Weight kg	Order code
32	0,05	9301054311
40	0,06	9301054312
50	0,07	9301054313
63	0,07	9301054314
80	0,17	9301054315
100	0,31	9301054316

Cylinder mountings

Pivot bracket with swivel bearing AB5



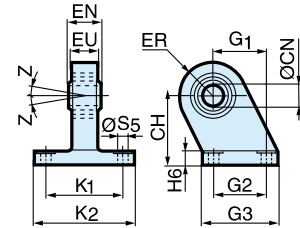
Intended for use together with clevis bracket GA.

Material
 Pivot bracket: Surface-treated steel, black
 Swivel bearing according to DIN 648K: Hardened steel

Cyl. bore Ø mm	Weight kg	Order code
32	0,18	P1C-4KMA
40	0,25	P1C-4LMA
50	0,47	P1C-4MMA
63	0,57	P1C-4NMA
80	1,05	P1C-4PMA
100	1,42	P1C-4QMA

According to VDMA, AFNOR

Cyl. bore mm	CN H7 mm	S5 H13 mm	K1 JS14 mm	K2 mm	EU mm	G1 JS14 mm	G2 JS14 mm	EN mm	G3 mm	CH JS15 mm	H6 mm	ER mm	Z mm
32	10	6,6	38	51	10,5	21	18	14	31	32	10	16	4°
40	12	6,6	41	54	12,0	24	22	16	35	36	10	18	4°
50	16	9,0	50	65	15,0	33	30	21	45	45	12	21	4°
63	16	9,0	52	67	15,0	37	35	21	50	50	12	23	4°
80	20	11,0	66	86	18,0	47	40	25	60	63	14	28	4°
100	20	11,0	76	96	18,0	55	50	25	70	71	15	30	4°



Swivel eye bracket MP6



Intended for use together with clevis bracket GA

Material
 Bracket: Surface-treated aluminium, black
 Swivel bearing acc. to DIN 648K: Hardened steel

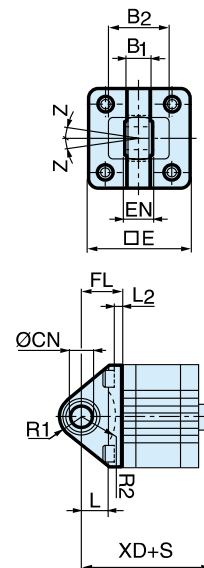
Supplied complete with mounting screws for attachment to cylinder.

Cyl. bore Ø mm	Weight kg	Order code
32	0,08	P1C-4KMSA
40	0,11	P1C-4LMSA
50	0,20	P1C-4MMSA
63	0,27	P1C-4NMSA
80	0,52	P1C-4PMSA
100	0,72	P1C-4QMSA

According to VDMA, AFNOR

Cyl. bore mm	E mm	B1 mm	B2 mm	EN mm	R1 mm	R2 mm	FL mm	I2 mm	L mm	CN H7 mm	XD* mm	XD2* mm	Z mm
32	45	10,5	38	14	16	14	22	5,5	12	10	70,5	79,0	4°
40	52	12,0	44	16	18	16	25	5,5	15	12	75,5	83,5	4°
50	65	15,0	51	21	21	19	27	6,5	15	16	79,5	86,0	4°
63	75	15,0	56	21	23	22	32	6,5	20	16	90,0	95,5	4°
80	95	18,0	-	25	29	-	36	10,0	20	20	210,0	-	4°
100	115	18,0	-	25	31	-	41	10,0	25	20	230,0	-	4°

S=Stroke length



Cylinder mountings

3 and 4 positions flange

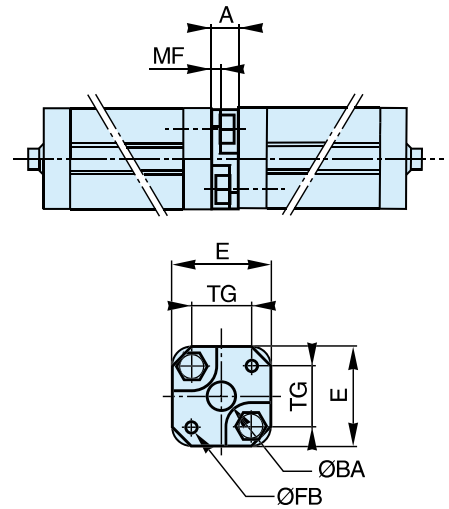


Mounting kit for back to back mounted cylinders, 3 and 4 position cylinders.

Material:
Mounting: Aluminium
Mounting screws: Zinc-plated steel 8.8

Cyl. bore Ø mm	Weight kg	Order code
32	0,060	P1E-6KB0
40	0,078	P1E-6LB0
50	0,162	P1E-6MB0
63	0,194	P1E-6NB0
80	0,450	P1E-6PB0
100	0,672	P1E-6QB0

Cyl. bore mm	E mm	TG mm	ØFB mm	MF mm	A mm	ØBA mm
32	50	32,5	6,5	5	16	30
40	60	38,0	6,5	5	16	35
50	66	46,5	8,5	6	20	40
63	80	56,5	8,5	6	20	45
80	100	72,0	10,5	8	25	45
100	118	89,0	10,5	8	25	55



Piston rod mountings

Swivel rod eye AP6



Swivel rod eye for articulated mounting of cylinder. Swivel rod eye can be combined with clevis bracket GA. Maintenance-free.

Materials
Swivel rod eye: Zinc-plated steel
Swivel bearing according to DIN 648K: Hardened steel

Stainless steel swivel rod eye AP6



Stainless-steel swivel rod eye for articulated mounting of cylinder. Swivel rod eye can be combined with clevis bracket GA. Maintenance-free.

Materials
Swivel rod eye: Stainless steel
Swivel bearing according to DIN 648K: Stainless steel

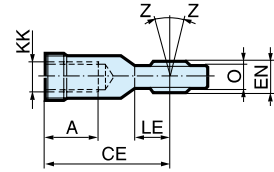
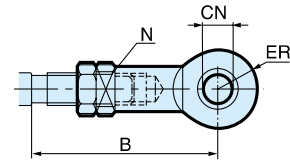
Use stainless steel nut with stainless steel swivel rod eye.

According to ISO 8139

Cyl. bore mm	A mm	B min mm	B max mm	CE mm	CN H9 mm	EN h12 mm	ER mm	KK	LE mm	N min mm	O mm	Z
20 / 25	12	40,0	45	36	8	12	12	M8x1,25	12	13	9,0	12°
32 / 40	20	48,0	55	43	10	14	14	M10x1,25	15	17	10,5	12°
50 / 63	22	56,0	62	50	12	16	16	M12x1,25	17	19	12,0	12°
80 / 100	28	72,0	80	64	16	21	21	M16x1,5	22	22	15,0	15°

Cyl. bore Ø mm	Weight kg	Order code
20 / 25	0,045	P1A-4HRS
32 / 40	0,08	P1C-4KRS
50 / 63	0,12	P1C-4LRS
80 / 100	0,25	P1C-4MRS

Cyl. bore Ø mm	Weight kg	Order code
20 / 25	0,045	P1S-4HRT
32 / 40	0,08	P1S-4JRT
50 / 63	0,12	P1S-4LRT
80 / 100	0,25	P1S-4MRT



Clevis AP2



Clevis for articulated mounting of cylinder.

Material
Clevis, clip: Galvanized steel
Pin: Hardened steel

Stainless steel clevis AP2



Stainless-steel clevis for articulated mounting of cylinder.

Material
Clevis: Stainless steel
Pin: Stainless steel
Circlips according to DIN 471: Stainless steel

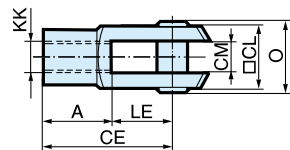
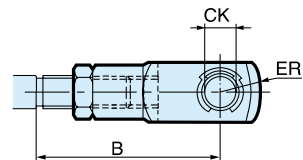
Use stainless steel nut with stainless steel swivel rod eye.

According to ISO 8140

Cyl. bore mm	A mm	B min mm	B max mm	CE mm	CK h11/E9 mm	CL mm	CM mm	ER mm	KK	LE mm	O mm
20 / 25	16	36,0	41	32	8	16	8	-	M8x1,25	16	24,0
32 / 40	20	45,0	52	40	10	20	10	16	M10x1,25	20	28,0
50 / 63	24	54,0	60	48	12	24	12	19	M12x1,25	24	32,0
80 / 100	32	72,0	80	64	16	32	16	25	M16x1,5	32	41,5

Cyl. bore Ø mm	Weight kg	Order code
20 / 25	0,045	P1A-4HRC
32 / 40	0,09	P1C-4KRC
50 / 63	0,15	P1C-4LRC
80 / 100	0,35	P1C-4MRC

Cyl. bore Ø mm	Weight kg	Order code
20 / 25	0,045	P1S-4HRD
32 / 40	0,09	P1S-4JRD
50 / 63	0,15	P1S-4LRD
80 / 100	0,35	P1S-4MRD



Piston rod mountings

Flexo coupling PM5

Flexo coupling for articulated mounting of piston rod. Flexo fitting is intended to take up axial angle errors within a range of $\pm 4^\circ$.

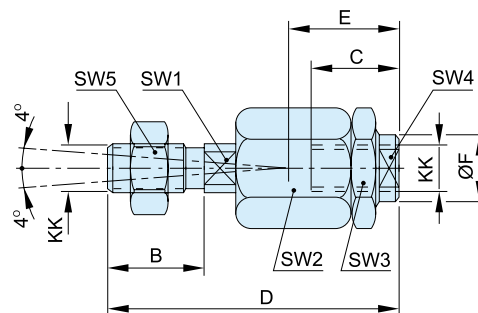
Material
Flexo coupling, nut: Zinc-plated steel

Supplied complete with galvanized adjustment nut.



Cyl. bore Ø mm	Weight kg	Order code
20 / 25	0,06	P1C-4JRF
32 / 40	0,23	P1C-4KRF
50 / 63	0,23	P1C-4LRF
80 / 100	0,65	P1C-4MRF

Cyl. bore mm	KK mm	B mm	C mm	D mm	E mm	ØF mm	SW1 mm	SW2 mm	SW3 mm	SW4 mm	SW5 mm
20 / 25	M8x1.25	16	14	55	20	12.4	7	17	17	10	13
32 / 40	M10x1.25	20	23	73	31	21	12	30	30	19	17
50 / 63	M12x1.5	24	23	77	31	21	12	30	30	19	19
80 / 100	M16x1.5	32	32	108	45	33.5	19	41	41	30	24



Nut MR9

Intended for fixed mounting of accessories to the piston rod. Material: Zinc-plated steel

All P1D cylinders are delivered with a zinc-plated steel piston rod nut.

Supplied as pack of 10 off



Cyl. bore Ø mm	Weight * kg	Order code
20 / 25	0,005	P14-4HRPZ
32 / 40	0,007	P14-4KRPZ
50 / 63	0,021	P14-4LRPZ
80 / 100	0,040	P14-4MRPZ

* Weight per item

Stainless steel nut

Intended for fixed mounting of accessories to the piston rod.

Material: Stainless steel A2

All P1D cylinders are delivered with a zinc-plated steel piston rod nut.

Supplied as pack of 10 off

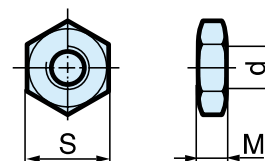


Cyl. bore Ø mm	Weight * kg	Order code
20 / 25	0,005	P14-4HRPS
32 / 40	0,007	P14-4KRPS
50 / 63	0,021	P14-4LRPS
80 / 100	0,040	P14-4MRPS

* Weight per item

According to DIN 439 B

Cyl. bore mm	d	M	S
20 / 25	M8x1,25		
32 / 40	M10x1,25	5,0	17
50 / 63	M12x1,25	6,0	19
80 / 100	M16x1,5	10,0	30



P1Q Series Compact Cylinders

Ø12mm - 100mm bore size



Parker's P1Q series cylinders provide an economical, compact design suited for a variety of applications. With its modular flexibility, the P1Q will provide the ideal solution machine builders need today. The P1Q series is available in 10 bore sizes from 12 mm to 100 mm and standard strokes from 5 mm to 100 mm. The cylinder is supplied in a choice of magnetic or non-magnetic function, the non-magnetic version offers very short axial dimensions. For optimum compactness the P1Q range is supplied with female piston rod thread.

The P1Q provides quieter operation due to its built in buffer cushioning, which is standard on all bore sizes. Included in bore sizes 40 mm – 100 mm is a piston wear ring providing superior life.



The P1Q compact cylinder is ideal for applications where you need compact dimensions and high over-all performance. The versatile P1Q cylinder range provides a long trouble-free operation in a variety of applications.

- Compact and versatile
- Magnetic or non magnetic options
- Flush fit sensor range
- Buffer cushioning as standard
- Piston wear ring on Ø32 - Ø100mm
- Tapped both ends as standard



Operating information

Working pressure: Max 10 bar
Permissible fluid: Air, with or without lubrication

Standard working temperature: -5°C to +60°C

Prelubricated, further lubrication is not normally necessary. If additional lubrication is introduced it must be continued.

For more information see www.parker.com/euro_pneumatic

Double acting - Magnetic - Female threaded piston rod

Ø12mm

Stroke mm	Order code
5	P1QS012DC7G0005
10	P1QS012DC7G0010
15	P1QS012DC7G0015
20	P1QS012DC7G0020
25	P1QS012DC7G0025
30	P1QS012DC7G0030

Ø16mm

Stroke mm	Order code
5	P1QS016DC7G0005
10	P1QS016DC7G0010
15	P1QS016DC7G0015
20	P1QS016DC7G0020
25	P1QS016DC7G0025
30	P1QS016DC7G0030

Ø20mm

Stroke mm	Order code
10	P1QS020DC7G0010
15	P1QS020DC7G0015
20	P1QS020DC7G0020
25	P1QS020DC7G0025
30	P1QS020DC7G0030
40	P1QS020DC7G0040
50	P1QS020DC7G0050

Ø25mm

Stroke mm	Order code
10	P1QS025DC7G0010
15	P1QS025DC7G0015
20	P1QS025DC7G0020
25	P1QS025DC7G0025
30	P1QS025DC7G0030
40	P1QS025DC7G0040
50	P1QS025DC7G0050

Ø32mm

Stroke mm	Order code
10	P1QS032DC7G0010
15	P1QS032DC7G0015
20	P1QS032DC7G0020
25	P1QS032DC7G0025
30	P1QS032DC7G0030
40	P1QS032DC7G0040
50	P1QS032DC7G0050
75	P1QS032DC7G0075
100	P1QS032DC7G0100

Ø40mm

Stroke mm	Order code
15	P1QS040DC7G0015
20	P1QS040DC7G0020
25	P1QS040DC7G0025
30	P1QS040DC7G0030
40	P1QS040DC7G0040
50	P1QS040DC7G0050
75	P1QS040DC7G0075
100	P1QS040DC7G0100

Ø50mm

Stroke mm	Order code
15	P1QS050DC7G0015
20	P1QS050DC7G0020
25	P1QS050DC7G0025
30	P1QS050DC7G0030
40	P1QS050DC7G0040
50	P1QS050DC7G0050
75	P1QS050DC7G0075
100	P1QS050DC7G0100

Ø63mm

Stroke mm	Order code
15	P1QS063DC7G0015
20	P1QS063DC7G0020
25	P1QS063DC7G0025
30	P1QS063DC7G0030
40	P1QS063DC7G0040
50	P1QS063DC7G0050
75	P1QS063DC7G0075

Ø80mm

Stroke mm	Order code
15	P1QS080DC7G0015
20	P1QS080DC7G0020
25	P1QS080DC7G0025
30	P1QS080DC7G0030
40	P1QS080DC7G0040
50	P1QS080DC7G0050
75	P1QS080DC7G0075

Ø100mm

Stroke mm	Order code
15	P1QS100DC7G0015
20	P1QS100DC7G0020
25	P1QS100DC7G0025
30	P1QS100DC7G0030
40	P1QS100DC7G0040
50	P1QS100DC7G0050
75	P1QS100DC7G0075

Double acting - Non-magnetic - Female threaded piston rod

Ø 12 mm

Stroke mm	Order code
5	P1QS012DC7B0005
10	P1QS012DC7B0010
15	P1QS012DC7B0015
20	P1QS012DC7B0020
25	P1QS012DC7B0025
30	P1QS012DC7B0030

Ø 16 mm

Stroke mm	Order code
5	P1QS016DC7B0005
10	P1QS016DC7B0010
15	P1QS016DC7B0015
20	P1QS016DC7B0020
25	P1QS016DC7B0025
30	P1QS016DC7B0030

Ø 20 mm

Stroke mm	Order code
10	P1QS020DC7B0010
15	P1QS020DC7B0015
20	P1QS020DC7B0020
25	P1QS020DC7B0025
30	P1QS020DC7B0030
40	P1QS020DC7B0040
50	P1QS020DC7B0050

Ø 25 mm

Stroke mm	Order code
10	P1QS025DC7B0010
15	P1QS025DC7B0015
20	P1QS025DC7B0020
25	P1QS025DC7B0025
30	P1QS025DC7B0030
40	P1QS025DC7B0040
50	P1QS025DC7B0050

Ø 32 mm

Stroke mm	Order code
10	P1QS032DC7B0010
15	P1QS032DC7B0015
20	P1QS032DC7B0020
25	P1QS032DC7B0025
30	P1QS032DC7B0030
40	P1QS032DC7B0040
50	P1QS032DC7B0050
75	P1QS032DC7B0075
100	P1QS032DC7B0100

Ø 40 mm

Stroke mm	Order code
15	P1QS040DC7B0015
20	P1QS040DC7B0020
25	P1QS040DC7B0025
30	P1QS040DC7B0030
40	P1QS040DC7B0040
50	P1QS040DC7B0050
75	P1QS040DC7B0075
100	P1QS040DC7B0100

Ø 50 mm

Stroke mm	Order code
15	P1QS050DC7B0015
20	P1QS050DC7B0020
25	P1QS050DC7B0025
30	P1QS050DC7B0030
40	P1QS050DC7B0040
50	P1QS050DC7B0050
75	P1QS050DC7B0075
100	P1QS050DC7B0100

Ø 63 mm

Stroke mm	Order code
15	P1QS063DC7B0015
20	P1QS063DC7B0020
25	P1QS063DC7B0025
30	P1QS063DC7B0030
40	P1QS063DC7B0040
50	P1QS063DC7B0050
75	P1QS063DC7B0075

Ø 80 mm

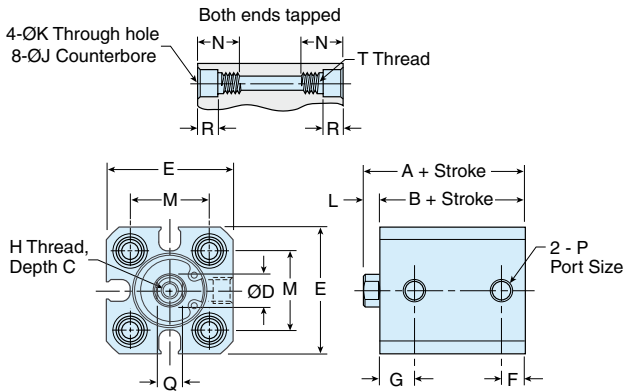
Stroke mm	Order code
15	P1QS080DC7B0015
20	P1QS080DC7B0020
25	P1QS080DC7B0025
30	P1QS080DC7B0030
40	P1QS080DC7B0040
50	P1QS080DC7B0050
75	P1QS080DC7B0075

Ø 100 mm

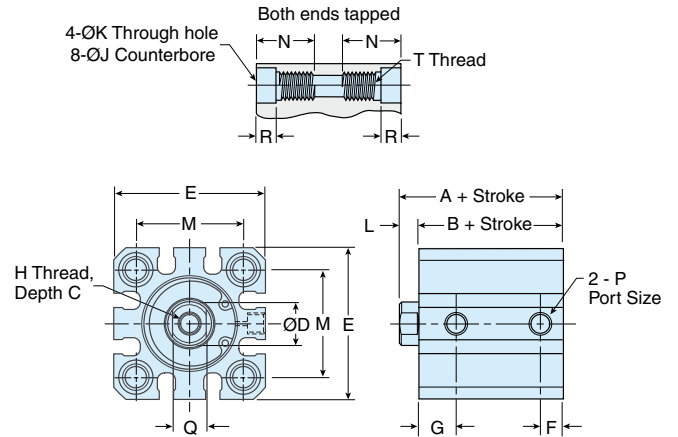
Stroke mm	Order code
15	P1QS100DC7B0015
20	P1QS100DC7B0020
25	P1QS100DC7B0025
30	P1QS100DC7B0030
40	P1QS100DC7B0040
50	P1QS100DC7B0050
75	P1QS100DC7B0075

Non-magnetic Dimensions

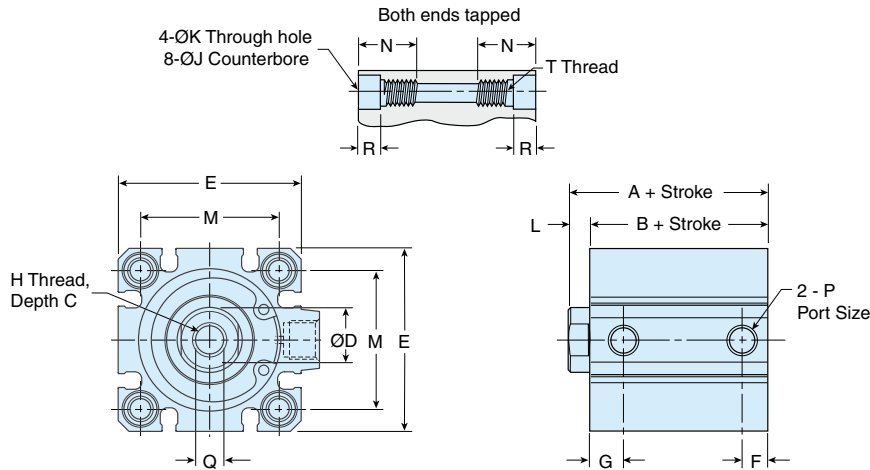
Ø12 - Ø16



Ø20 - Ø25



Ø 32 - 100 mm



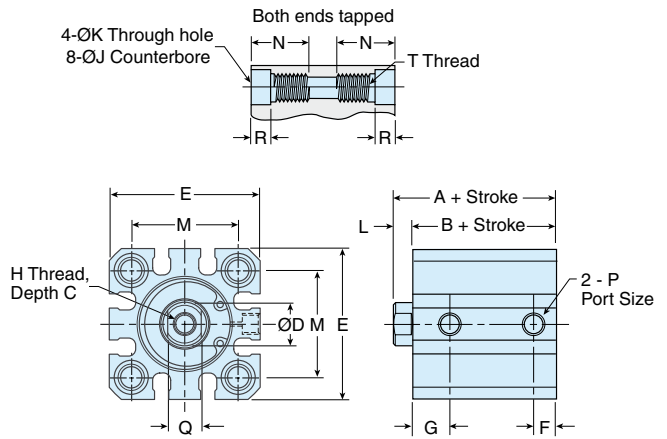
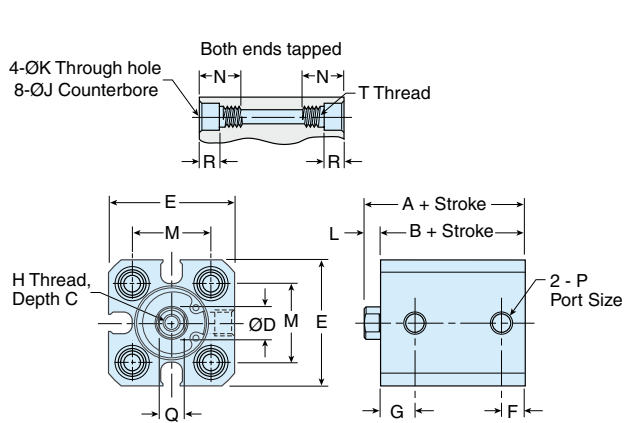
Dimensions

Bore size	A		B		C	D	E	F	G	H	J	K	L	M	N	P	Q	R	T
	5 to 50mm	75 to 100mm	5 to 50mm	75 to 100mm															
12	20.5	-	17	-	6	6	25	5	7.5	M3x0.5	6.5	3.5	3.5	15.5	11	M5x0.8	5	4	M4x0.7
16	20.5	-	17	-	8	8	29	5	7.5	M4x0.7	6.5	3.5	3.5	20	11	M5x0.8	6	4	M4x0.7
20	24	-	19.5	-	7	10	36	5.5	9	M5x0.8	9	5.4	4.5	25.5	17	M5x0.8	8	7	M6x1.0
25	27.5	-	22.5	-	12	12	40	5.5	11	M6x1.0	9	5.4	5	28	17	M5x0.8	10	7	M6x1.0
32	30	40	23	33	13	16	45	7.5	10.5	M8x1.25	9	5.5	7	34	17	1/8"	14	7	M6x1.0
40	36.5	46.5	29.5	39.5	13	16	52	8	11	M8x1.25	9	5.5	7	40	17	1/8"	14	7	M6x1.0
50	38.5	48.5	30.5	40.5	15	20	64	10.5	10.5	M10x1.5	11	6.6	8	50	22	1/4"	17	8	M8x1.25
63	44	54	36	46	15	20	77	10.5	15	M10x1.5	14	9	8	60	28.5	1/4"	17	10.5	M10x1.5
80	53.5	63.5	43.5	53.5	21	25	98	12.5	16	M16x2.0	17.5	11	10	77	35.5	3/8"	22	13.5	M12x1.75
100	65	75	53	63	27	30	117	13	23	M20x2.5	17.5	11	12	94	35.5	3/8"	27	13.5	M12x1.75

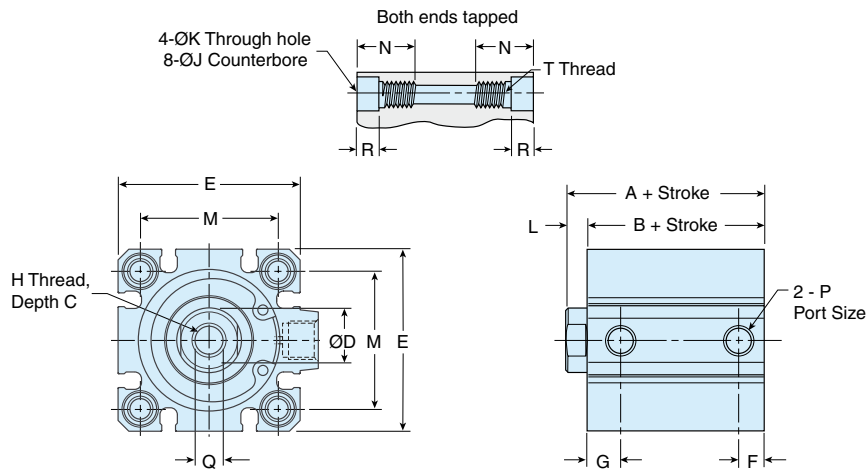
Magnetic Dimensions

Ø12 - Ø16

Ø20 - Ø25



Ø 32 - 100 mm



Dimensions

Bore size	A	B	C	D	E	F	G	H	J	K	L	M	N	P	Q	R	T
12	25.5	22	6	6	25	5	7.5	M3x0.5	6.5	3.5	3.5	15.5	11	M5x0.8	5	4	M4x0.7
16	25.5	22	8	8	29	5	7.5	M4x0.7	6.5	3.5	3.5	20	11	M5x0.8	6	4	M4x0.7
20	34	29.5	7	10	36	5.5	9	M5x0.8	9	5.4	4.5	25.5	17	M5x0.8	8	7	M6x1.0
25	37.5	32.5	12	12	40	5.5	11	M6x1.0	9	5.4	5	28	17	M5x0.8	10	7	M6x1.0
32	40	33	13	16	45	7.5	10.5	M8x1.25	9	5.5	7	34	17	1/8"	14	7	M6x1.0
40	46.5	39.5	13	16	52	8	11	M8x1.25	9	5.5	7	40	17	1/8"	14	7	M6x1.0
50	48.5	40.5	15	20	64	10.5	10.5	M10x1.5	11	6.6	8	50	22	1/4"	17	8	M8x1.25
63	54	46	15	20	77	10.5	15	M10x1.5	14	9	8	60	28.5	1/4"	17	10.5	M10x1.5
80	63.5	53.5	21	25	98	12.5	16	M16x2.0	17.5	11	10	77	35.5	3/8"	22	13.5	M12x1.75
100	75	63	27	30	117	13	23	M20x2.5	17.5	11	12	94	35.5	3/8"	27	13.5	M12x1.75

Cylinder mountings

Flange MF1

Surface treated steel, black

Cyl. dia.	Order code
12	P1Q-4DMB
16	P1Q-4FMB
20	P1Q-4HMB
25	P1Q-4JMB
32	P1Q-4KMB
40	P1Q-4LMB
50	P1Q-4MMB
63	P1Q-4NMB
80	P1Q-4PMB
100	P1Q-4QMB



Foot brackets

Surface treated steel, black

Cyl. dia.	Order code
12	P1Q-4DMF
16	P1Q-4FMF
20	P1Q-4HMF
25	P1Q-4JMF
32	P1Q-4KMF
40	P1Q-4LMF
50	P1Q-4MMF
63	P1Q-4NMF
80	P1Q-4PMF
100	P1Q-4QMF



Clevis mounting

Surface treated steel, black

Cyl. dia.	Order code
12	P1Q-4DMT
16	P1Q-4FMT
20	P1Q-4HMT
25	P1Q-4JMT
32	P1Q-4KMT
40	P1Q-4LMT
50	P1Q-4MMT
63	P1Q-4NMT
80	P1Q-4PMT
100	P1Q-4QMT



Electronic and Reed Sensors

Size	Description	Order code
Flush mount style		
PNP Type, normally open	0.165 m cable and M8 screw male connector	P8S-EPSUS
PNP Type, normally open	2 m PUR cable without connector	P8S-EPFSX
NPN Type, normally open	0.165 m cable and M8 screw male connector	P8S-ENSUS
NPN Type, normally open	2 m PUR cable without connector	P8S-ENFSX
Reed Type, normally open	0.15 m cable and M8 screw male connector	P8S-ERSUS
Reed Type, normally open	2 m PUR cable without connector	P8S-ERFSX

Compact short stroke cylinders available in single as well as double acting versions. Ideally suited for clamping and locking operations. The compact design with mounting holes through the cylinder body makes the unit easy to install in confined spaces. The main body is machined from one piece thus providing an easy to clean unit. Fitted with stainless steel piston rod as standard for corrosion resistance.



- Short stroke cylinders providing high clamping forces
- Compact dimensions for confined spaces
- Single and double acting versions
- Simple installation and mounting

Operating information

Working pressure: Max 10 bar
Working temperature: -20°C to +70°C

Prelubricated, further lubrication is not normally necessary. If additional lubrication is introduced it must be continued.

For more information see www.parker.com/euro_pneumatic

C05 Double acting cylinders

Cyl. bore mm	Stroke mm	Port	Order code
12	10	M5	C05-12-5-10
20	10	M5	C05-20-10-10
32	10	G1/8	C05-32-12-10
32	25	G1/8	C05-32-12-25
50	25	G1/4	C05-50-16-25
63	25	G1/4	C05-63-16-25

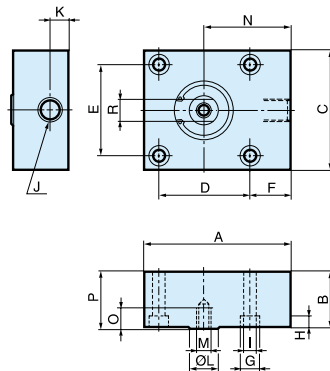
C05S Single acting cylinders

Cyl. bore mm	Stroke mm	Port	Order code
8	4	M5	C05S-8-4-4
12	4	M5	C05S-12-5-4
20	4	G1/8	C05S-20-10-4
32	5	G1/8	C05S-32-12-5
50	10	G1/4	C05S-50-16-10
63	10	G1/4	C05S-63-16-10

The spring forces in single acting cylinders are sufficient to return the piston without load.

Dimensions (mm), basic cylinder

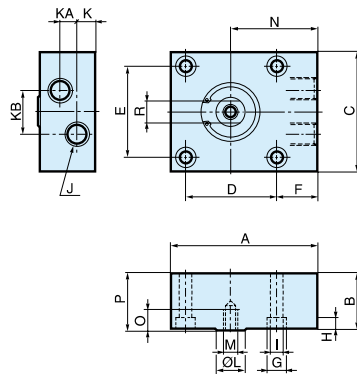
Single acting



Type	A	B	C	D	E	F	G	H	I	J	K	KA	KB	L
C05S-8-4-4	20	16	18	0*	11	5,5	6	3,4	3,4	M5	5,0	-	-	4
C05S-12-5-4	25	16	20	0*	13	7,0	6	3,4	3,4	M5	6,0	-	-	5
C05S-20-10-4	40	20	32	0*	20	9,0	10	5,0	5,5	G1/8	9,5	-	-	10
C05S-32-12-5	55	26	45	0*	32	14,0	10	5,0	5,5	G1/8	9,5	-	-	12
C05S-50-16-10	80	30	65	50	50	22,5	11	6,5	6,5	G1/4	11,0	-	-	16
C05S-63-16-10	90	35	80	62	62	19,0	15	9,0	9,0	G1/4	11,0	-	-	16

Type	M	N	O	P	R
C05S-8-4-4	-	13,5	-	17	-
C05S-12-5-4	-	15,0	-	17	-
C05S-20-10-4	M5	24,0	8	21	-
C05S-32-12-5	M6	32,0	12	27	9
C05S-50-16-10	M8	47,5	12	31	14
C05S-63-16-10	M8	50,0	14	36	14

Double acting



Type	A	B	C	D	E	F	G	H	I	J	K	KA	KB	L
C05-12-5-10	25	27	20	0*	13	7,0	6	3,4	3,4	M5	6,0	13,0	3	5
C05-20-10-10	40	30	32	0*	20	9,0	10	5,0	5,5	M5	6,0	16,0	6	10
C05-32-12-10	55	36	45	0*	32	14,0	10	5,0	5,5	G1/8	9,5	16,5	14	12
C05-32-12-25	55	51	45	0*	32	14,0	10	5,0	5,5	G1/8	9,5	31,5	0**	12
C05-50-16-25	80	50	65	50	50	22,5	11	6,5	6,5	G1/4	11,0	28,0	0**	16
C05-63-16-25	90	55	80	62	62	19,0	15	9,0	9,0	G1/4	11,0	33,0	0**	16

Type	M	N	O	p	R
C05-12-5-10	-	16,0	-	28	-
C05-20-10-10	M5	24,0	8	31	-
C05-32-12-10	M6	32,0	12	37	9
C05-32-12-25	M6	32,0	12	52	9
C05-50-16-25	M8	47,5	12	51	14
C05-63-16-25	M8	50,0	14	56	14

* Only two mounting holes (F).

** Connections in-line.

P5T cylinders are a modern and versatile range of cylinders with integral guides. The cylinders are double-acting, with end stop cushioning for quiet and vibration free operation. The strong guide shafts make it possible to adsorb considerable thrust forces and torque.



- Complete cylinder function with integral guidance
- Stainless steel guide rods
- Wide range of standard strokes, diameter 16-100 mm
- Flexible porting as standard
- Magnetic piston as standard with drop-in sensor technology
- End stop cushions as standard

Operating information

Working pressure Max 10 bar
Working temperature -20 °C to +80 °C

Prelubricated, further lubrication is not normally necessary. If additional lubrication is introduced it must be continued.

For more information see www.parker.com/euro_pneumatic

Double acting - Plain bearing and top & rear connections

Ø16mm - (M5)

Stroke.mm	Order code
10	P5T-C016DGSN010
25	P5T-C016DGSN025
40	P5T-C016DGSN040
50	P5T-C016DGSN050
75	P5T-C016DGSN075
100	P5T-C016DGSN100

Ø20mm - (G1/8)

Stroke.mm	Order code
25	P5T-C020DGSN025
40	P5T-C020DGSN040
50	P5T-C020DGSN050
75	P5T-C020DGSN075
100	P5T-C020DGSN100
125	P5T-C020DGSN125
150	P5T-C020DGSN150

Ø25mm - (G1/8)

Stroke.mm	Order code
25	P5T-C025DGSN025
50	P5T-C025DGSN050
75	P5T-C025DGSN075
100	P5T-C025DGSN100
125	P5T-C025DGSN125
150	P5T-C025DGSN150

Ø32mm - (G1/8)

Stroke.mm	Order code
25	P5T-C032DGSN025
50	P5T-C032DGSN050
75	P5T-C032DGSN075
100	P5T-C032DGSN100
125	P5T-C032DGSN125
150	P5T-C032DGSN150
175	P5T-C032DGSN175
200	P5T-C032DGSN200

Ø40mm - (G1/8)

Stroke.mm	Order code
25	P5T-C040DGSN025
50	P5T-C040DGSN050
75	P5T-C040DGSN075
100	P5T-C040DGSN100
125	P5T-C040DGSN125
150	P5T-C040DGSN150
175	P5T-C040DGSN175
200	P5T-C040DGSN200

Ø50mm - (G1/4)

Stroke.mm	Order code
25	P5T-C050DGSN025
50	P5T-C050DGSN050
75	P5T-C050DGSN075
100	P5T-C050DGSN100
125	P5T-C050DGSN125
150	P5T-C050DGSN150
175	P5T-C050DGSN175
200	P5T-C050DGSN200

Ø63mm - (G1/4)

Stroke.mm	Order code
25	P5T-C063DGSN025
50	P5T-C063DGSN050
75	P5T-C063DGSN075
100	P5T-C063DGSN100
125	P5T-C063DGSN125
150	P5T-C063DGSN150
175	P5T-C063DGSN175
200	P5T-C063DGSN200

Ø80mm - (G3/8)

Stroke.mm	Order code
25	P5T-C080DGSN025
50	P5T-C080DGSN050
75	P5T-C080DGSN075
100	P5T-C080DGSN100
125	P5T-C080DGSN125
150	P5T-C080DGSN150
175	P5T-C080DGSN175
200	P5T-C080DGSN200

Ø100mm - (G3/8)

Stroke.mm	Order code
25	P5T-C100DGSN025
50	P5T-C100DGSN050
75	P5T-C100DGSN075
100	P5T-C100DGSN100
125	P5T-C100DGSN125
150	P5T-C100DGSN150
175	P5T-C100DGSN175
200	P5T-C100DGSN200

Design Variants

In addition to the standard designs, a number of variants of the P5T range are available to special order, to provide effective solutions in a large number of applications.

- Cylinders with special strokes
- Cylinders with two fixing plates
- Cylinders with adjustable stops, with cushioning
- High-temperature cylinders for the temperature range of -10°C to +150°C (not magnetic piston).

Special design for food industry applications

There is a special version of the P5T for food industry applications and other installation cases where high corrosion resistance and hygiene are required. This version has steel parts and other components in either stainless steel or special treated aluminium. Please contact Customer Service for more information.

Plain bearing or recirculating ball bearings

The P5T is supplied with plain bearings as standard. This type of bearing has guide rods of greater diameter, providing excellent support for heavy loads, especially static loads. Plain bearings are highly tolerant of vibration and dirt, and are suitable for regular cleaning.

Recirculating ball bearings are used for applications which require high precision and low friction.

The choice should be based on the following factors:

Application requirements	Plain bearing	Recirculating ball bearings
Precision	Good	Excellent
Friction	Higher	Low
Coefficient of friction	Variable	Constant
Precision during service life	Variable	Constant
Static load capacity	Excellent	Good
Dynamic load capacity	Good, but with friction losses	Good
Vibration tolerance	Excellent	Average
Dirt tolerance	Excellent	Poor
Washing tolerance	Excellent	Poor

Double acting, connections on top.



Double acting with two fixing plates, side connections are recommended.



Double acting, connections at rear.



Double acting with two fixing plates and adjustable end stops with cushioning, side connections are recommended.



Double acting, connections on side.



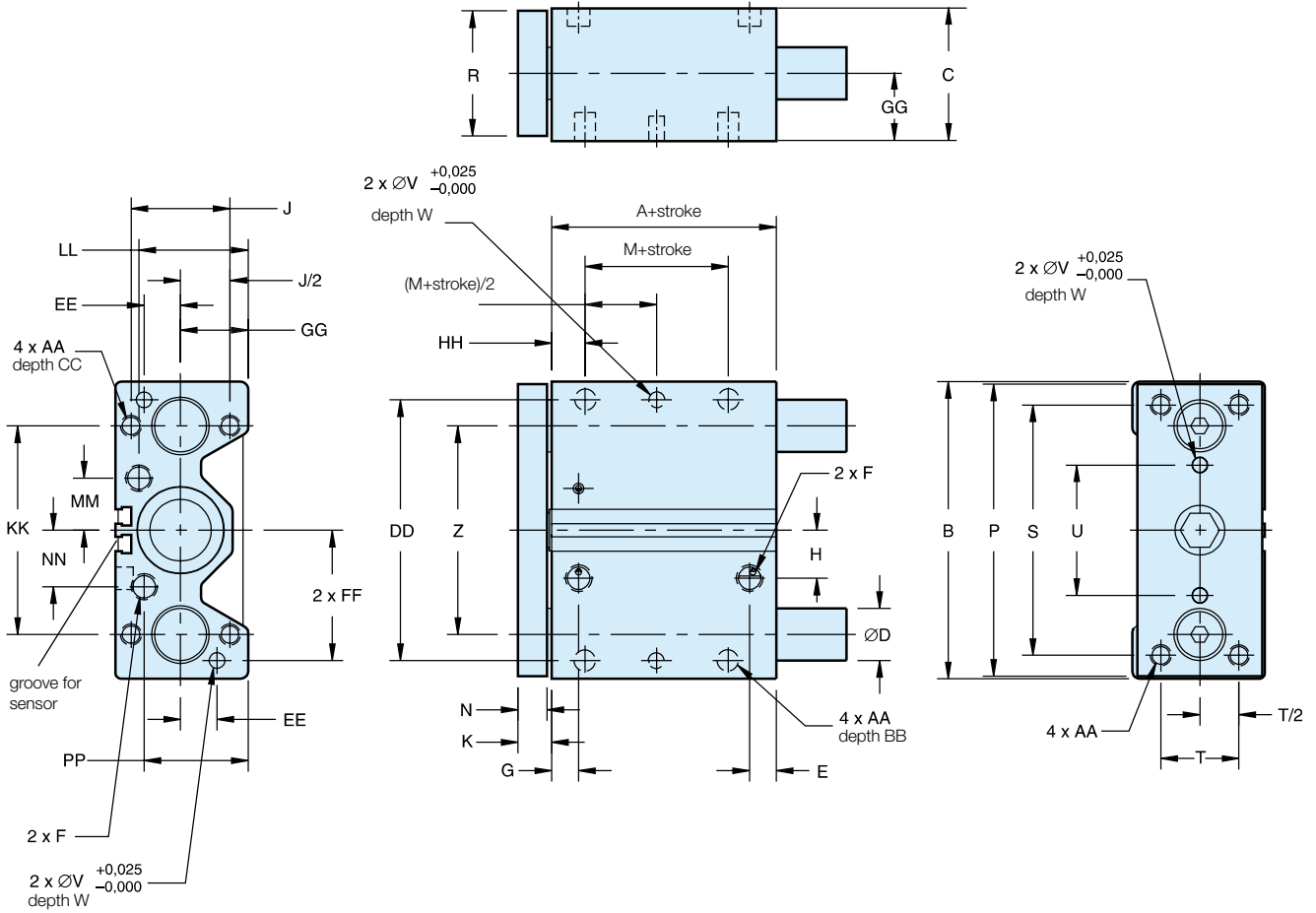
Double acting with one fixing plate adjustable end stops with cushioning, connections on side, on top or at rear.



Dimensions, P5T basic cylinder

Connection option D

(connection from above or rear)



Cylinder diam. mm	A mm	B mm	C mm	D1*) mm	D2*) mm	E mm	F	G mm	H mm	J mm	K mm	M mm	N mm	P mm	R mm	S mm	T mm	U mm	V mm
16	37,8	64	31	8	10	10,1	M5	10,1	7	22	9,9	7	7,9	62	25,4	52	16	20	3
20	35	74	36	10	12	19	G1/8	10	15,8	26	9,9	10	7,9	72	31,8	60	18	30	4
25	38	88	42	12	16	21	G1/8	11,4	15,5	32	9,9	10	7,9	86	38	70	26	34	4
32	36	114	51	16	20	10,3	G1/8	10,4	18,4	38	13,1	5	11,1	112	44,5	96	30	50	6
40	44	124	51	16	20	12,1	G1/8	14,9	22,5	38	13,1	10	11,1	122	44	106	30	60	6
50	44,9	140	62	20	25	14,5	G1/4	16,1	27	44	14,7	10	12,7	138	57	120	40	60	8
63	50,1	150	75	20	25	16,4	G1/4	14,5	33	44	14,7	10	12,7	148	70	130	50	72	8
80	59,5	188	95	25	30	17,5	G3/8	19	37	56	18	15	16	185	88,9	160	60	92	10
100	66**)	224	115	30	35	21,9**)	G3/8	23	40	62	18	15	16	221	108	190	80	114	10

Cylinder diam. mm	W mm	Z mm	AA	BB mm	CC mm	DD mm	EE mm	FF mm	GG mm	HH mm	KK mm	LL mm	MM mm	NN mm	PP mm	Piston rod Ø mm
16	6	42	M5x0,8	7,5	10	54	8	27	15	13,1	42	22,5	11,3	9,7	23	8
20	6	52	M5x0,8	7,5	10	64	10	32	17	13,1	52	26	15,4	15,4	26	10
25	6	62	M6x1,0	10	12	76	11	38	21	14,1	62	33,4	17	17	33,4	10
32	6	80	M8x1,25	11	16	100	14	50	26	12,9	80	42	20	21,7	38	16
40	6	90	M8x1,25	11	16	110	14	55	26	13,9	90	41	24	26,4	37,9	16
50	8	100	M10x1,5	12	20	124	16	62	30	14,3	100	51	29	33	44	20
63	8	110	M10x1,5	15	20	132	18	66	36,5	16,3	110	62	36	37,8	57,8	20
80	10	140	M12x1,75	18	24	166	22	83	46,5	21	140	78	45	48	75,5	25
100	10	170	M14x2,0	21	28	200	24	100	56,5	25	170	91,5	53	51	95,5	25

Length tolerance ± 1 mm

Stroke tolerance + 1.5/0 mm

**) Stroke 25 mm, A=75 mm, E=28 mm

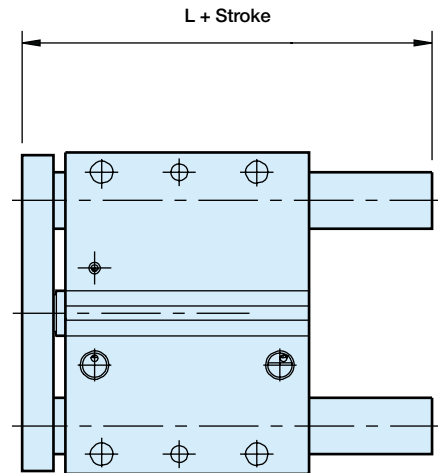
*) D1 = bearing rod diameter for recirculating ball bearing

*) D2 = bearing rod diameter for plain bearing

Dimensions, P5T basic cylinder

Standard lengths

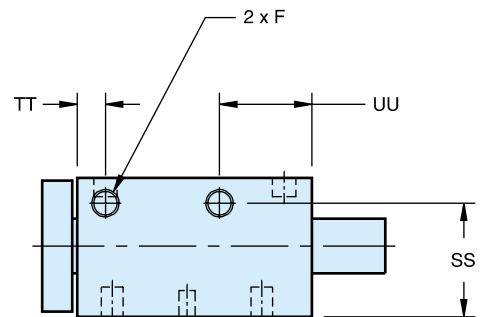
Cylinder diam mm	Stroke mm	L mm
16	10	36,2
	25, 40, 50, 75	60,2
	100	75,2
20	25, 40, 50, 75	66,9
	100, 125	91,9
25	25, 50, 75, 100	69,9
	125, 150	91,9
32	25, 50, 75, 100	77,9
	125, 150, 175, 200	116,0
40	25, 50, 75, 100	77,9
	125, 150, 175, 200	116,0
50	25, 50, 75, 100	84,0
	125, 150, 175, 200	124,1
63	25, 50, 75, 100	84,0
	125, 150, 175, 200	124,1
80	25, 50, 75, 100	101,8
	125, 150, 175, 200	140,0
100	25	122,8
	50, 75, 100	120,3
	125, 150, 175, 200	158,4



Dimensions, P5T basic cylinder

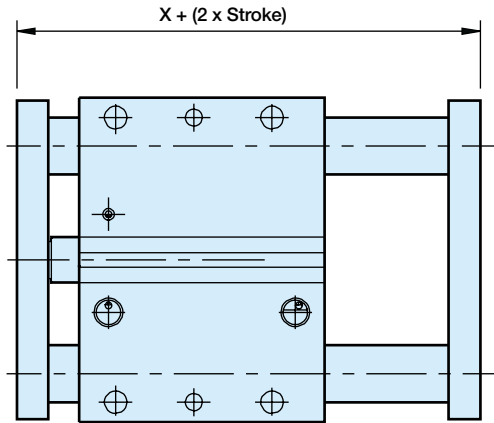
Connection option **S** (side connections)

Cylinder diam. mm	SS mm	TT mm	UU mm	F mm
16	24,1	10	20	M5
20	29,2	10	20	M5
25	35,2	11,4	25	M5
32	41,7	10,4	34	G1/8
40	41,7	14,9	34	G1/8
50	51,3	16,1	38	G1/4
63	60,7	15,6	41,8	G1/4
80	75,5	19	47	G3/8
100	83,7	23	53,3	G3/8



Dimensions, P5T basic cylinder

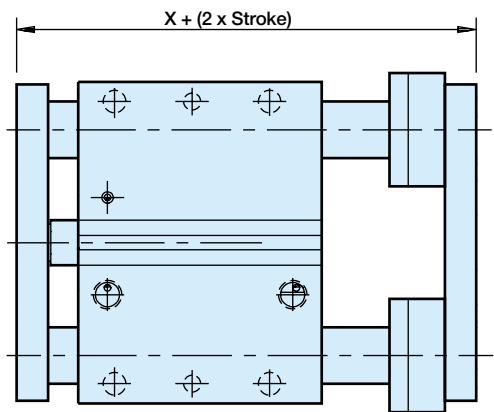
Option D



Please note that load capacity increases with two fixing plates, due to greater bearing distance.

Dimensions, P5T with two fixing plates and adjustable end stop with cushioning

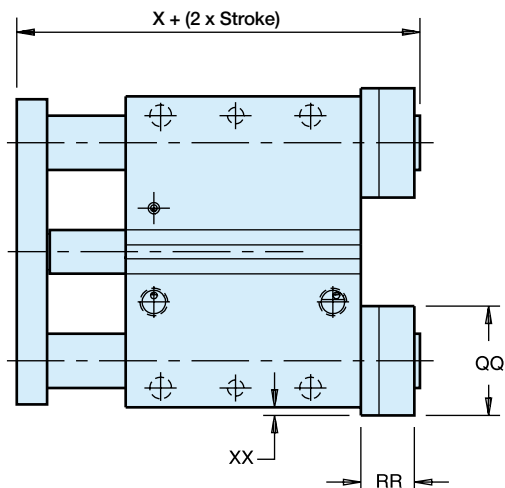
Option A



Cylinder diam. mm	Guide rod dia, mm	X for option			QQ mm	RR mm	XX mm
		D mm	A mm	E mm			
16	8	57,6	70,6	62,7	18,0	13,0	0
	10	57,6	70,6	62,7	24,0	13,0	1
20	10	54,9	67,9	59,9	24,0	13,0	1
	12	54,9	72,6	64,6	28,0	17,7	3
25	12	57,8	75,5	67,6	28,0	17,7	1
	16	57,8	77,5	69,6	34,0	19,7	4
32	16	62,2	81,9	70,8	34,0	19,7	0
	20	62,2	83,9	72,8	41,4	21,7	3,7
40	16	70,2	89,9	78,8	34,0	19,7	0
	20	70,2	91,9	80,8	41,4	21,7	3,7
50	20	74,3	96,0	83,3	41,4	21,7	0,7
	25	74,3	96,0	83,3	50,8	21,7	5,4
63	20	79,5	101,2	88,5	41,4	21,7	0,7
	25	79,5	101,2	88,5	50,8	21,7	5,4
80	25	95,5	117,2	101,2	50,8	21,7	1,4
	30	95,5	117,2	101,2	60,5	21,7	6,3
100	30	102,0	123,7	107,7	60,5	21,7	3,3
	35	102,0	123,7	107,7	65,0	21,7	5,5

Dimensions, P5T with adjustable end stop with cushioning

Option E



Twin Rod Non Rotate Cylinders RDV and AZ

A range of twin rod cylinders designed for use in non rotate applications specially suited to the handling and packaging environments. Offering a range of double acting cylinders with adjustable cushioning and magnetic variants.



RDV Series:



- Available as bore \varnothing 25mm
- Non rotating
- Double acting
- Adjustable cushioning
- Magnetic piston as standard

Operating information

Working pressure: Max 10 bar
Working temperature: -10°C to $+70^{\circ}\text{C}$

Prelubricated, further lubrication is not normally necessary. If additional lubrication is introduced it must be continued.

AZ Series:



- Available as bore \varnothing 32mm - \varnothing 100mm
- Non rotating
- Double acting
- Adjustable cushioning
- Magnetic piston as standard
- Drop in sensors

Operating information

Working pressure: Max 10 bar
Working temperature: -20°C to $+80^{\circ}\text{C}$

Prelubricated, further lubrication is not normally necessary. If additional lubrication is introduced it must be continued.

Order key - RDV

R	D	V	5	0	2	5	0	1	0	0												
Version			Function				Stroke (mm) e.g. 0100 = 100mm															
RDV	Ø25mm bore only		<table border="1"> <tr> <td>5</td> <td>Double acting with magnetic function, Adjustable cushioning</td> </tr> </table>				5	Double acting with magnetic function, Adjustable cushioning	<table border="1"> <tr> <td>025</td> <td>Bore mm</td> </tr> </table>				025	Bore mm	<table border="1"> <tr> <td colspan="4">Stroke lengths up to 500mm. Other sizes on request</td> </tr> </table>				Stroke lengths up to 500mm. Other sizes on request			
5	Double acting with magnetic function, Adjustable cushioning																					
025	Bore mm																					
Stroke lengths up to 500mm. Other sizes on request																						
<p>Note: Standard option specified. Other options available Maximum 500mm</p>																						

Order key - AZV, AZ3, AZ4

A	5	5	K	0	1	0	0	/	0	0	0	A	A	A	A	0	0	0	0	A	0	0	0	0																					
Version			Function									Bore mm		Stroke (mm) e.g. 0100 = 100mm																															
5	AZV	Single set twin rods	<table border="1"> <tr> <td>1</td> <td>Double acting, No magnetic function, Adjustable cushioning</td> </tr> <tr> <td>2</td> <td>Double acting, No magnetic function, No adjustable cushioning</td> </tr> <tr> <td>5</td> <td>Double acting, With magnetic function, Adjustable cushioning</td> </tr> <tr> <td>6</td> <td>Double acting, With magnetic function, No adjustable cushioning</td> </tr> </table>									1	Double acting, No magnetic function, Adjustable cushioning	2	Double acting, No magnetic function, No adjustable cushioning	5	Double acting, With magnetic function, Adjustable cushioning	6	Double acting, With magnetic function, No adjustable cushioning	<table border="1"> <tr> <td>K</td> <td>032</td> </tr> <tr> <td>L</td> <td>040</td> </tr> <tr> <td>M</td> <td>050</td> </tr> <tr> <td>N</td> <td>063</td> </tr> <tr> <td>P</td> <td>080</td> </tr> <tr> <td>Q</td> <td>100</td> </tr> </table>		K	032	L	040	M	050	N	063	P	080	Q	100	<table border="1"> <tr> <td colspan="6">Stroke lengths up to 500mm. Other sizes on request</td> </tr> </table>						Stroke lengths up to 500mm. Other sizes on request					
1	Double acting, No magnetic function, Adjustable cushioning																																												
2	Double acting, No magnetic function, No adjustable cushioning																																												
5	Double acting, With magnetic function, Adjustable cushioning																																												
6	Double acting, With magnetic function, No adjustable cushioning																																												
K	032																																												
L	040																																												
M	050																																												
N	063																																												
P	080																																												
Q	100																																												
Stroke lengths up to 500mm. Other sizes on request																																													
<table border="1"> <tr> <td>6</td> <td>AZ4</td> <td>Double set twin rods</td> </tr> <tr> <td>7</td> <td>AZ3</td> <td>Single set twin rods with single rod</td> </tr> </table>											6	AZ4	Double set twin rods	7	AZ3	Single set twin rods with single rod	<p>Note: Standard option specified. Other options available Maximum 2000mm</p>																												
6	AZ4	Double set twin rods																																											
7	AZ3	Single set twin rods with single rod																																											

Twin Rod Cylinder Mounts

Body Mounts	RDV	AZV / AZ3 / AZ4					
	25mm	32mm	40mm	50mm	Bore Ø 63mm		80mm
Foot mounting - MS3 / MS1	KK28.302	PD27917	PD27918	PD28072	PD28073	PD28074	PD28075
Rear Double Clevis - AB3 / MP2	KZ1420	PD22704	PD22705	PD22706	PD22707	PD22708	PD22709
Rear Single Clevis - MP4	-	PD23412	PD23413	PD23414	PD23415	PD23416	PD23417
Front Flange - Type MF1 for AZV / AZ3 / AZ4	-	PD57042	PD57043	PD57044	PD57045	PD57046	PD57047
Rear Flange - MF2	-	PD23403	PD23404	PD23405	PD23406	PD23407	PD23408
Trunnion - MT4	-	PD39195	PD39196	PD39197	PD39198	PD39199	PD39200
Trunnion Blocks - MT4	-	PD23381	PD23382	PD23382	PD23383	PD23383	PD23384
Pivot Mount - (w / o Bolts)	-	PD25621	PD25622	PD25623	PD25624	PD25625	PD25626
Groove Nut - for RDV5	ZP2125						

Delivery information: All mounts are sold separately and are not mounted for shipment, except for the trunnion mount which requires factory installation.

Rod Accessories	AZ3					
	32mm	40mm	50mm	Bore Ø 63mm		80mm
Rod Nut	ZP 1810	ZP 2189	ZP 0178	ZP 0178	ZP 0185	ZP 0185
Rod Clevis AP2	KY 6135	KY 6136	KY 6139	KY 6139	KY 6141	KY 6141
Rod Eye AP6	KY 6147	KY 6148	KY 6150	KY 6150	KY 6151	KY 6151
Clevis Pin	KY 6153	KY 6154	KY 6157	KY 6156	KY 6158	KY 6159
Flexo coupling	KY 1129	KY 1131	KY 1133	KY 1133	KY 1134	KY 1134

Weights (kg)

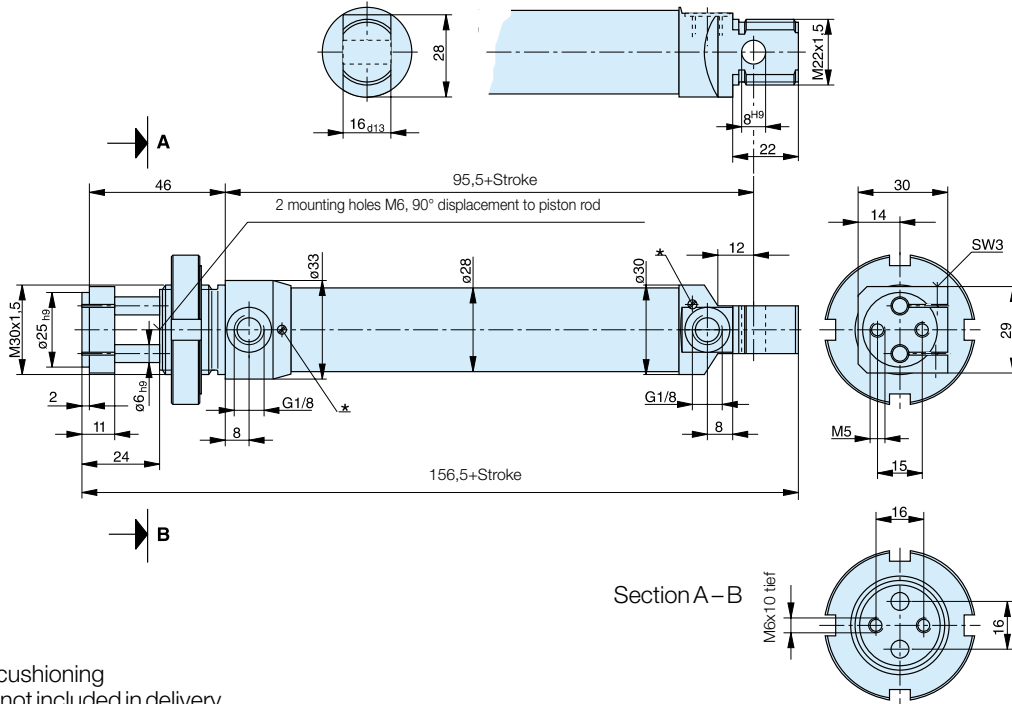
	RDV		AZV											
	25mm		32mm		40mm		50mm		Bore Ø 63mm		80mm		100mm	
	*1	*2	*1	*2	*1	*2	*1	*2	*1	*2	*1	*2	*1	*2
Basic Cylinder	0.46	0.11	0.80	0.25	1.00	0.35	1.70	0.5	2.60	0.6	4.20	0.9	6.20	1.0
Type MS3 / MS1	0.10		0.95		1.19		2.04		2.99		4.99		7.20	
Type AB3 / MP2	0.08		0.87		1.09		1.87		2.82		4.69		6.94	
Type MP4			0.90		1.13		1.91		2.90		4.77		7.11	
Type MP6			0.90		1.15		1.92		2.92		4.76		7.06	
Type MF1 / MF2			0.90		1.15		1.92		2.92		4.76		7.06	
Type MT4			0.91		1.18		1.93		3.25		5.03		7.76	

AZ3														
Basic Cylinder	1.0	0.30	1.5	0.45	2.5	0.7	3.2	0.85	5.3	1.3	7.5	1.5		
Type MS1	0.95		1.19		2.04		2.99		4.99		7.20			
Type MF1 / MF2	0.90		1.15		1.92		2.92		4.76		7.06			
Type MT4	0.91		1.18		1.93		3.25		5.03		7.76			

AZ4														
Basic Cylinder	1.0	0.30	1.4	0.40	2.3	0.6	3.2	0.9	5.6	1.4	7.4	1.50		
Type MS1	1.15		1.59		2.64		3.59		6.39		8.40			
Type MT4	1.11		1.58		2.53		3.59		6.13		8.16			

*1 = Weight for cylinder with 100mm stroke
 *2 = Weight for every additional 100mm stroke length

**Dimensions – Double acting, non-rotating, Ø 25 mm
Series RDV5...**

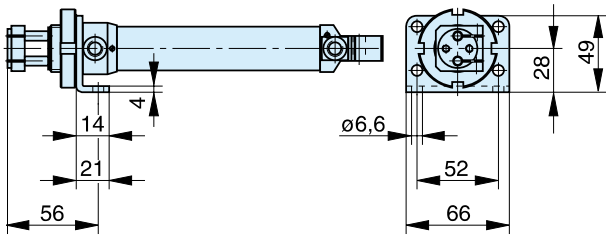


* adjustable end cushioning
Mounting nut is not included in delivery

Mounting instruction:
When mounting the front plate onto the piston rods tighten the screws with a torque $M_a = 4 \text{ N}$.

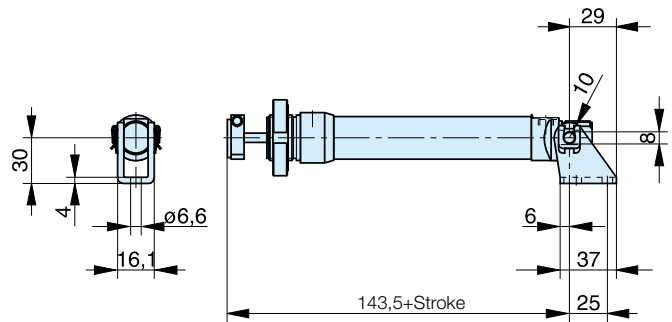
Mountings – Series RDV...., Ø 25 mm

Dimensions (mm) – Foot mounting type MS3



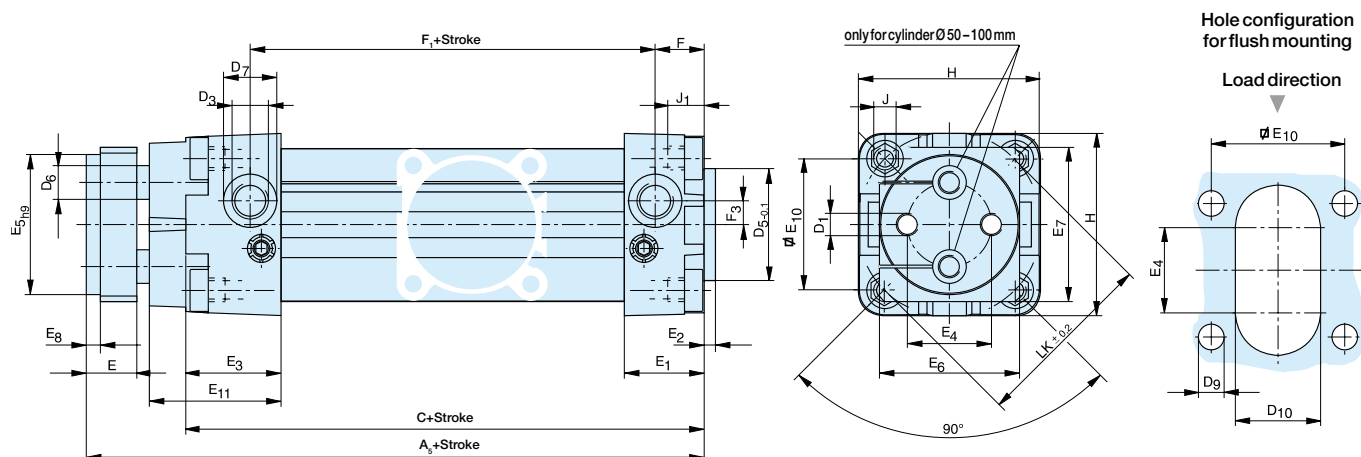
Material: steel, passivated

Dimensions (mm) – Clevis bracket type AB3



Material: steel, passivated

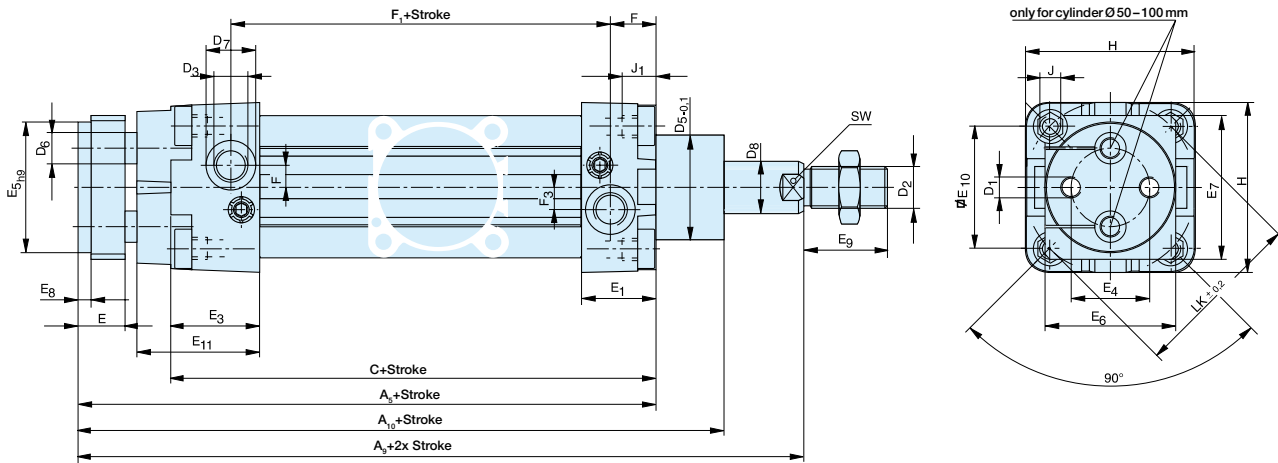
Dimensions – Basic Cylinder, non-rotating, Series AZV..., Ø32 – 100 mm



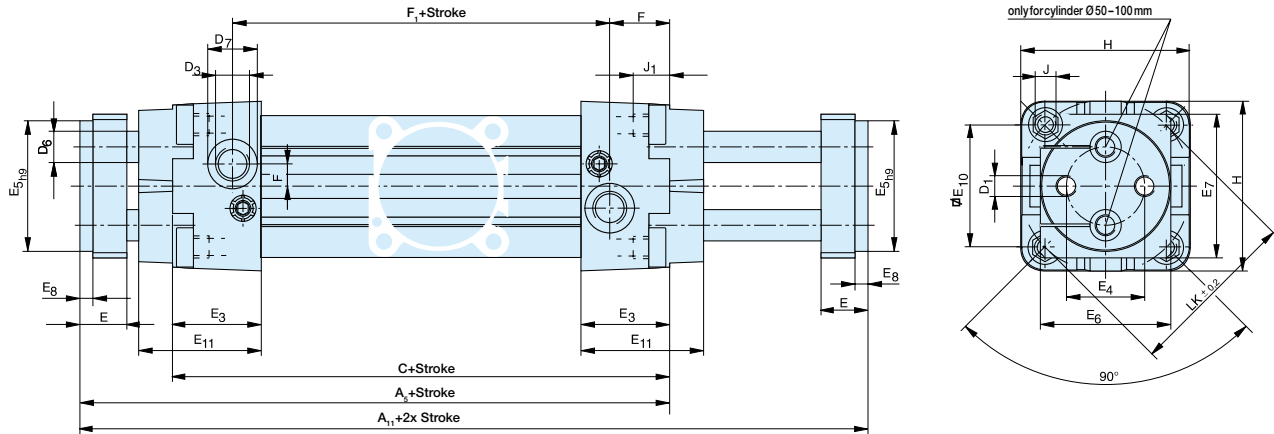
Dimension Table (mm) – Basic Cylinder AZV..., AZ3..., AZ4...

Cyl. Ø	A ₅ + Stroke	A ₉ + 2X Stroke	A ₁₀ + Stroke	A ₁₁ + 2X Stroke	C + Stroke	D ₁	D ₂	D ₃	ØD ₅	ØD ₆	ØD ₇	ØD ₈	ØD ₉	D ₁₀	E	E ₁	E ₂	E ₃
32	128	154	146	154	102	M6	M10x1.25	G 1/8	30	8	15	12	7	23	15	29	4	26
40	142	172	163	172	112	M8	M12x1.25	G 1/4	35	10	19	16	7	25	15	27	4	30
50	151	188	177	185	117	M8	M16x1.5	G 1/4	40	12	19	20	9	30	18	29	4	34
63	161	198	187	197	125	M10	M16x1.5	G 3/8	45	16	23	20	9	34	22	30	4	34
80	174	220	206	212	136	M12	M20x1.5	G 3/8	45	20	23	25	10	38	22	34	4	39
100	181	232	218	219	143	M12	M20x1.5	G 1/2	55	20	28	25	10	38	22	35	4	40

Dimensions – Basic Cylinder, non-rotating, with through piston rod, series AZ3...., Ø 32 – 100 mm



Dimensions – Basic Cylinder, non-rotating, with through piston rods, series AZ4...., Ø 32 – 100 mm



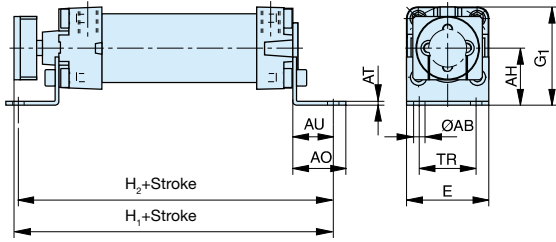
Dimension Table (mm) – Basic Cylinder AZV...., AZ3...., AZ4....

Cyl. Ø	A ₅ + Stroke	A ₉ + 2X Stroke	A ₁₀ + Stroke	A ₁₁ + 2X Stroke	C + Stroke	D ₁	D ₂	D ₃	ØD ₅	ØD ₆	ØD ₇	ØD ₈	ØD ₉	D ₁₀	E	E ₁	E ₂	E ₃
32	128	154	146	154	102	M6	M10x1.25	G1/8	30	8	15	12	7	23	15	29	4	26
40	142	172	163	172	112	M8	M12x1.25	G1/4	35	10	19	16	7	25	15	27	4	30
50	151	188	177	185	117	M8	M16x1.5	G1/4	40	12	19	20	9	30	18	29	4	34
63	161	198	187	197	125	M10	M16x1.5	G3/8	45	16	23	20	9	34	22	30	4	34
80	174	220	206	212	136	M12	M20x1.5	G3/8	45	20	23	25	10	38	22	34	4	39
100	181	232	218	219	143	M12	M20x1.5	G1/2	55	20	28	25	10	38	22	35	4	40

Cyl. Ø	ØE ₄	E _{5h9}	E ₆	E ₇	E ₈	E ₉	E ₁₀	E ₁₁	F AZV, AZ3	F AZ4	F ₁ +Stroke AZV, AZ3	F ₁ +Stroke AZ4	F ₃ AZV, AZ4	F ₃ AZ3	F ₄	J	J _{1max}	H	ØLK	SW
32	19	32	32	40	4	20	32.5	34	14.5	17.5	74	75	6	6	6	M6	16	47	46	10
40	22.5	40	40	45	4	24	38	42	16	19	77.5	75	7	7	7	M6	16	53	54	14
50	30	50	50	55	5	32	46.5	47	17.5	23	77	72	9.5	9.5	9.5	M8	16	65	66	17
63	38	63	63	70	5	32	56.5	45	17.5	21.5	87	83	10	10	10	M8	16	75	80	17
80	50	80	80	95	5	40	72	52	20.5	26	90	85	9	9	9	M10	16	95	102	22
100	70	100	100	115	5	40	89	53	19	24.5	100	95	13	13	13	M10	16	115	126	22

Mountings – Series AZV..., AZ3..., AZ4..., Ø 32 – 100 mm

Dimensions for foot mounting MS1



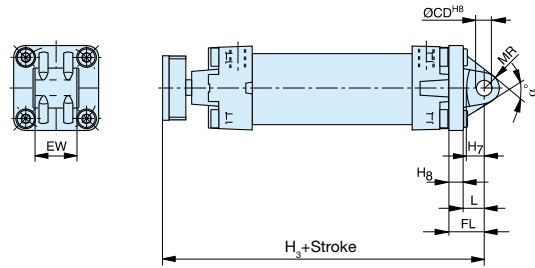
Material: steel, passivated

Dimension Table (mm)

Cyl. Ø	E	G ₁	H ₁ + Stroke	H ₂ + Stroke	AH	ØAB	AO	AT	AU	TR
32	47	55.5	152	150	32	7	32	4	24	32
40	53	62.5	170	168	36	9	38	4	28	36
50	65	77.5	183	181	45	9	42	5	32	45
63	75	87.5	193	189	50	9	42	5	32	50
80	95	110.5	215	218	63	12	55	6	41	63
100	115	128.5	222	225	71	14	56	6	41	75

Included in delivery: 2 foot brackets, 4 screws

Dimensions for clevis bracket MP4



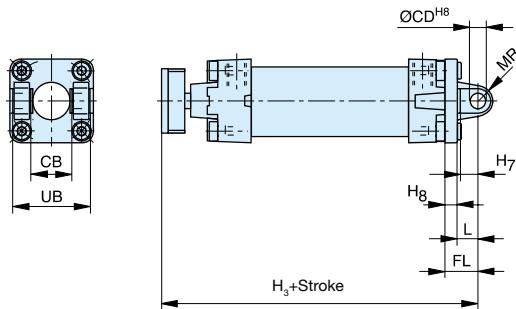
Material: cast aluminium

Dimension Table (mm)

Cyl. Ø	H ₃ + Stroke	H ₇	H ₈	L	ØCD ^{H8}	FL	MR	EW	a°
32	150	10	10	12	10	22	10.5	26	60
40	167	13	10	15	12	25	13	28	60
50	178	12	11	16	12	27	13	32	70
63	193	17	11	21	16	32	17	40	60
80	210	16	15	21	16	36	17	50	70
100	222	20.5	16	25	20	41	21	60	70

Included in delivery: 1 clevis bracket, 4 screws

Dimensions for clevis bracket MP2



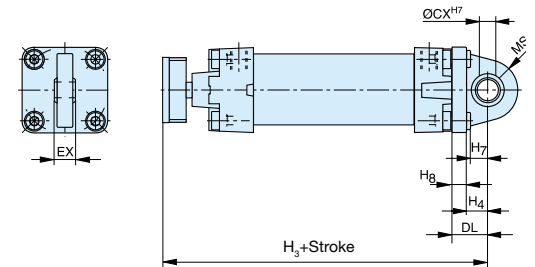
Material: cast aluminium

Dimension Table (mm)

Cyl. Ø	H ₃ + Stroke	H ₇	H ₈	L	CB	ØCD ^{H8}	FL	MR	UB
32	150	10	10	12	26	10	22	9	45
40	167	13	10	15	28	12	25	11	52
50	178	12	11	16	32	12	27	12	60
63	193	17	11	21	40	16	32	15	70
80	210	16	15	22	50	16	36	16	90
100	222	20.5	16	25	60	20	41	20	110

Included in delivery: 1 rear trunnion mounting, 4 screws

Dimensions for Swivel eye bracket MP6
(Rear mounting with spherical bearing)



Material: cast aluminium

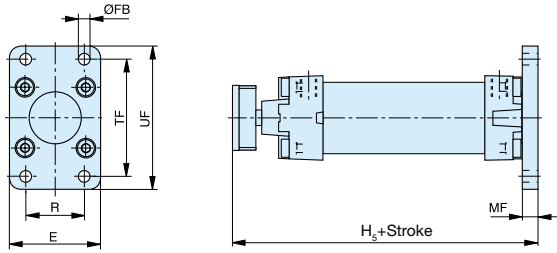
Dimension Table (mm)

Cyl. Ø	H ₃ + Stroke	H ₄	H ₇	H ₈	ØCX ^{H7}	DL	EX	MS
32	150	12	10	10	10	22	14	18
40	167	15	13	10	12	25	16	21
50	178	16	12	11	12	27	16	23
63	193	21	17	11	16	32	21	27
80	210	21	16	15	16	36	21	29
100	222	25	20.5	16	20	41	25	34

Included in delivery: 1 rear trunnion mounting with spherical bearing, 4 screws

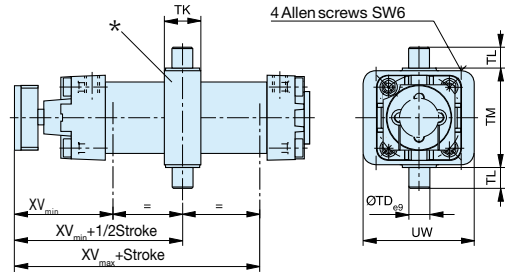
Mountings – Series AZV, AZ3....., AZ4....., Ø 32 – 100 mm

Dimensions for flange mouting MF2



Material: cast aluminium

Dimensions for trunnion mounting MT4 (profile cylinder barrel version)



Material: cast aluminium

- * Position centre trunnion mounting
- Standard position: Type EN1 – The taps of the EN attachment are horizontally aligned to the air supply
- Option: Type EN2 – The taps of the EN attachment are vertically aligned to the air supply

Dimension Table (mm)

Cyl. Ø	E	H ₅ + Stroke	R	ØFB	MF	TF	UF
32	50	138	32	7	10	64	79
40	56	152	36	9	10	72	90
50	70	163	45	9	12	90	110
63	77	173	50	9	12	100	120
80	100	190	63	12	16	126	153
100	120	197	75	14	16	150	178

Included in delivery: 1 flange, 4 screws

Dimension Table (mm)

Cyl. Ø	ØTD _{eg}	TK	TL	TM	UW	XV _{min}	XV _{min} + 1/ Stroke	XV _{max} + Stroke
32	12	25	12	50	65	64	76	87
40	16	28	16	63	75	75	87	99
50	16	28	16	75	85	84	95	106
63	20	36	20	90	100	89	101	112
80	20	36	20	110	120	96	109	121
100	25	48	25	132	135	99	112	125

Included in delivery: 1 rear trunnion mounting

After loosening the locking screws, the trunnion mounting is infinitely variable between XV_{min} and XV_{max}.

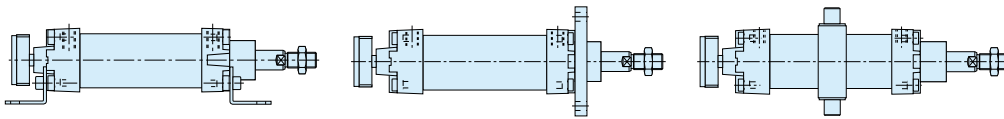
As standard, the position of the T-slots and dovetail slots is on the same side as the air connections. Exception: Ø 32 has only T-slots on the same side as the air connections, with a dovetail slot on the underside.

Mountings – Basic Cylinder, with through piston rod, series AZ3....., Ø 32 – 100 mm

Foot mounting MS1

Rear flange mounting MF2

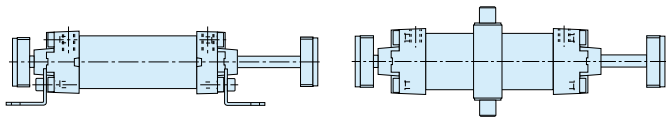
Trunnion mounting MT4



Mountings – Basic Cylinder, with through piston rods, series AZ4....., Ø 32 – 100 mm

Foot mounting MS1

Trunnion mounting MT4





ORIGA SYSTEM PLUS OSP-P

The “**ORIGINAL**” rodless pneumatic cylinders



A **NEW** Modular Linear Drive System

With this second generation linear drive Parker Origa offers design engineers complete flexibility. The well known ORIGA cylinder has been further developed into a combined linear actuator, guidance and control package. It forms the basis for the new, versatile ORIGA SYSTEM PLUS linear drive system.

All additional functions are designed into modular system components which replace the previous series of cylinders.

- Compact: guide rail integrated in the cylinder profile
- Long lifetime and high service intervals
- High loads and moments
- Easy to re-adjust through simple design => easy to maintain
- Integrated scraper system and grease nipples
- High service life $\geq 8,000\text{km}$
- Low friction forces \geq high action forces
- Wide speed range (0,005 – 30m/s)
- Modular System – easy to mount guides, brakes and displacement measuring system



Parker Origa rodless pneumatic cylinders are the first rodless cylinders that have been approved for use in potentially explosive atmospheres in Equipment Group II, Category 2 GD.

The Cylinders are to the ATEX Certification 94/9/EG (ATEX 95) for Pneumatic Components.

For full details and information on OSP-P range of rodless cylinders please see catalogue no.: P-A4P011



Special Versions



for use in Ex-Areas



Low Temperature Version
for temperatures up to
-40°C



for Clean Room Applications
certified to
DIN EN ISO 14644-1



Slow Speed Version
 $v = 0.005 - 0.2 \text{ m/s}$



Stainless steel version
for special applications



High Speed Version
 $v_{max.} = 30 \text{ m/s}$



with special pneumatic
cushioning system for cycle
time optimization,
for $\varnothing 16$ to 50 mm
- on request



Cylinders with extreme long
strokes
Stroke length up to 41 m



High Temperature Version
for temperatures up to
 $+120^\circ\text{C}$

* Information on electrical linear drives series OSP-E, please refer to catalogue P-A4P017E

<p>Basic Linear Drive Standard Version</p> <ul style="list-style-type: none"> Series OSP-P Series OSP-E* Belt drive Belt drive with integrated Guides Vertical belt drive with recirculating ball bearing guide Series OSP-E* Screw drive (Ball Screw, Trapezoidal Screw) 		<p>Basic Guide</p> <ul style="list-style-type: none"> Series OSP-P-BG 	
<p>Air Connection on the End-face or both at One End</p> <ul style="list-style-type: none"> Series OSP-P 		<p>Duplex Connection</p> <ul style="list-style-type: none"> Series OSP-P 	
<p>Long-Stroke Cylinders for strokes up to 41 m</p> <ul style="list-style-type: none"> Series OSP-P 		<p>Multiplex Connection</p> <ul style="list-style-type: none"> Series OSP-P 	
<p>Clean Room Cylinder certified to DIN EN ISO 146644-1</p> <ul style="list-style-type: none"> Series OSP-P Series OSP-E..SB 		<p>Linear Guides – SLIDELINE</p> <ul style="list-style-type: none"> Series OSP-P Series OSP-E Screw drive* 	
<p>Products for ATEX Areas</p> <ul style="list-style-type: none"> Series OSP-P Rodless Cylinders 		<p>Linear Guides – POWERSLIDE</p> <ul style="list-style-type: none"> Series OSP-P Series OSP-E Belt drive* Series OSP-E Screw drive* 	
<p>Products for ATEX Areas</p> <ul style="list-style-type: none"> Series OSP-P Rodless Cylinders with Linear Guide SLIDELIN 		<p>Linear Guides – PROLINE</p> <ul style="list-style-type: none"> Series OSP-P Series OSP-E Belt drive* Series OSP-E Screw drive* 	
<p>Bi-parting Version</p> <ul style="list-style-type: none"> Series OSP-P 		<p>Linear Guides – STARLINE</p> <ul style="list-style-type: none"> Series OSP-P 	
<p>Integrated 3/2 Way Valves</p> <ul style="list-style-type: none"> Series OSP-P 		<p>Linear Guides – KF</p> <ul style="list-style-type: none"> Series OSP-P 	
<p>Clevis Mounting</p> <ul style="list-style-type: none"> Series OSP-P Series OSP-E Belt drive* Series OSP-E Screw drive* 		<p>Heavy Duty Linear Guides – HD</p> <ul style="list-style-type: none"> Series OSP-P Series OSP-E Screw drive* 	
<p>End Cap Mounting</p> <ul style="list-style-type: none"> Series OSP-P Series OSP-E Belt drive* Series OSP-E Screw drive* 		<p>Intermediate stop module – ZSM</p> <ul style="list-style-type: none"> Series OSP-P 	
<p>Mid-Section Support</p> <ul style="list-style-type: none"> Series OSP-P Series OSP-E Belt drive* Series OSP-E Screw drive* 		<p>Brakes</p> <ul style="list-style-type: none"> Active Brakes Passive Brakes 	
<p>Inversion Mounting</p> <ul style="list-style-type: none"> Series OSP-P Series OSP-E Belt drive* Series OSP-E Screw drive* 		<p>Magnetic Switches</p> <ul style="list-style-type: none"> Series OSP-P Series OSP-E Belt drive* Series OSP-E Screw drive* ATEX-Versions 	
<p>Variable Stop VS</p> <ul style="list-style-type: none"> Series OSP-P with Linear Guide STL, KF, HD 		<p>SENSOFLEX-Measuring system</p> <ul style="list-style-type: none"> Series SFI-plus 	

Origa System Plus

- Innovation from a proven design

A completely new generation of linear drives which can be simply and neatly integrated into any machine layout.

A NEW MODULAR LINEAR DRIVE SYSTEM

With this second generation linear drive Parker Origa offers design engineers complete flexibility. The well known ORIGA cylinder has been further developed into a combined linear actuator, guidance and control package. It forms the basis for the new, versatile ORIGA SYSTEM PLUS linear drive system.

All additional functions are designed into modular system components which replace the previous series of cylinders.

MOUNTING RAILS ON 3 SIDES

Mounting rails on 3 sides of the cylinder enable modular components such as linear guides, brakes, valves, magnetic switches etc. to be fitted to the cylinder itself. This solves many installation problems, especially where space is limited.

The modular system concept forms an ideal basis for additional customer-specific functions.

Magnetic piston as standard - for contactless position sensing on three sides of the cylinder.

Corrosion resistant steel outer sealing band and robust wiper system on the carrier for use in aggressive environments.

Proven corrosion resistant steel inner sealing band for optimum sealing and extremely low friction.

Combined clamping for inner and outer sealing band with dust cover.

Stainless steel screws optional.

Low friction piston seals for optimized running characteristics

Optimized cylinder profile for maximum stiffness and minimum weight. Integral air passages enable both air connections to be positioned at one end, if desired.

Install the OSP-P System to simplify design work! The files are compatible with all popular CAD systems and package hardware.

End cap can be rotated to any one of the four positions (before or after delivery) so that the air connection can be in any desired position.

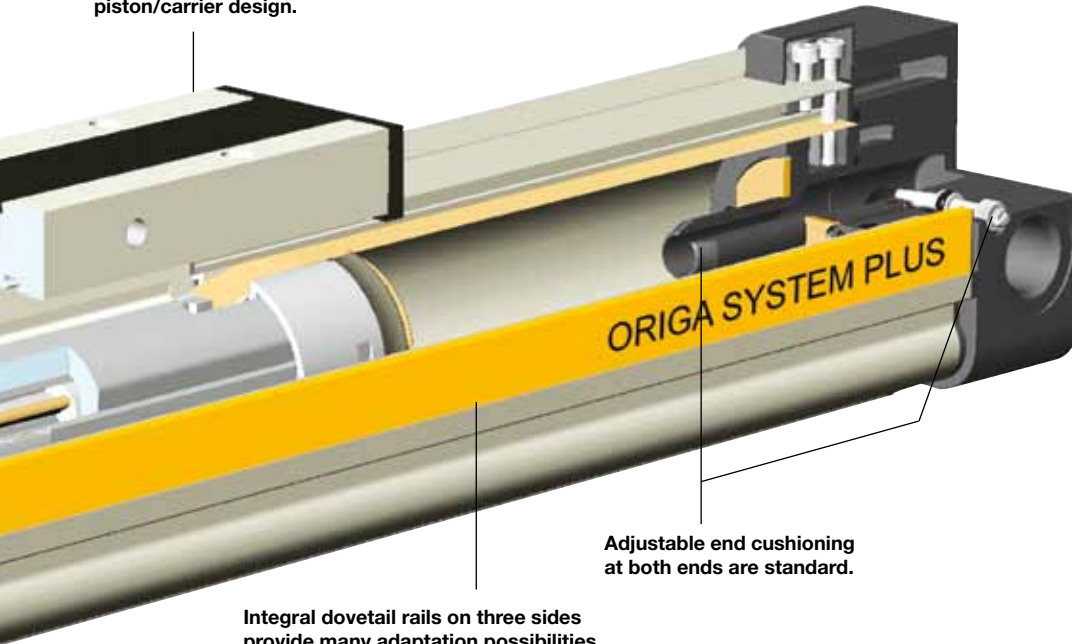
Clean Room Version
certified to DIN EN ISO 14644-1



Rodless Cylinder
for synchronized bi-parting movements



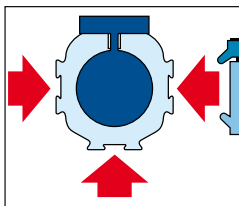
New low profile
piston/carrier design.



Adjustable end cushioning
at both ends are standard.

Integral dovetail rails on three sides
provide many adaptation possibilities
(linear guides, magnetic switches,
etc.).

Modular system components
are simply clamped on.



**INTEGRATED
VOE VALVES**
The complete
compact solution
for optimal cylinder
control.



**SENSOFLEX
SFI-plus**
incremental
measuring system
with 0,1 (1,0) mm
resolution.



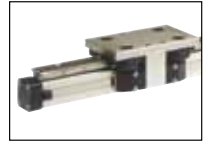
BASIC GUIDE
Compact, robust
plain bearing
guide for medium
loads.



SLIDELINE
Guide system for
moderate loads.
Optional with
Active- / Passive-
Brake



POWERSLIDE
Roller guide for
high loads and
rough conditions



PROLINE
The compact
aluminium roller
guide for high loads
and velocities.
Optional with
Active- / Passive-
Brake.



STARLINE
Recirculating ball
bearing guide for
very high loads
and precision.



KF GUIDE
Recirculating ball
bearing guide
– the mounting
dimensions
correspond to
FESTO Type:
DGPL-KF



**HEAVY DUTY
GUIDE HD**
for heavy duty
applications.



**VARIABLE STOP
VS**
The variable stop
provides simple
stroke limitation.



PASSIVE BRAKE
reacts automatically
to pressure failure.

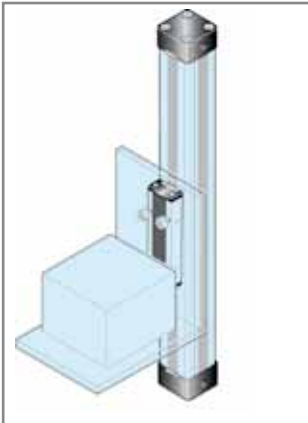


ACTIVE BRAKE
pneumatic brake
for secure, positive
stopping at any
position.

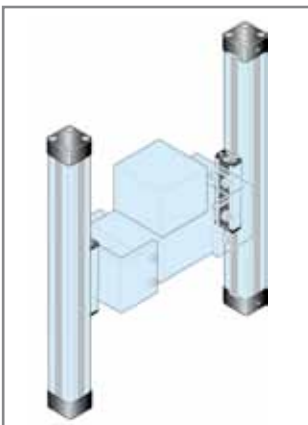
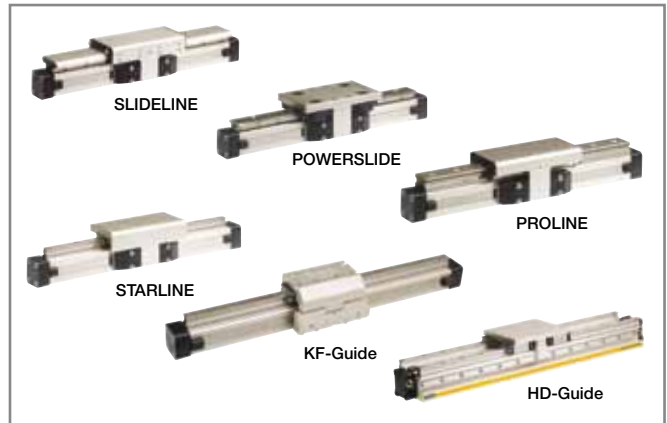


OSP-P Application examples

ORIGA SYSTEM PLUS – rodless linear drives offer maximum flexibility for any application.



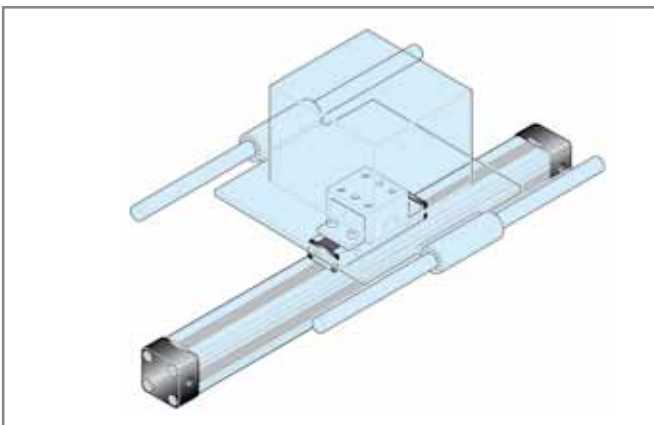
The high load capacity of the piston can cope with high bending moments without additional guides.



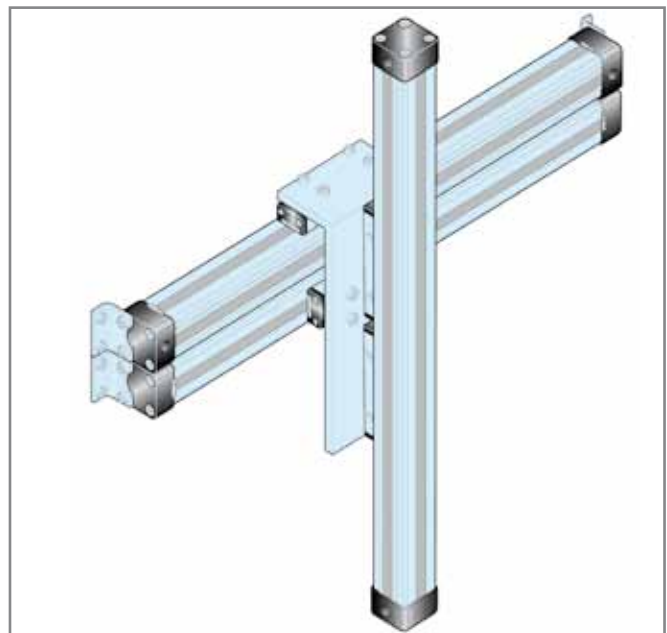
The mechanical design of the OSP-P allows synchronised movement of two cylinders.

Integrated guides offer optimal guidance for applications requiring high performance, easy assembly and maintenance free operation.

Optimal system performance by combining multi-axis cylinder combinations.



When using external guides, the clevis mounting is used to compensate for deviations in parallelism.



For further information and assembly instructions, please contact your local Parker Origa dealer.

Options and Accessories for system versatility

Series OSP-P

STANDARD VERSIONS OSP-P10 to P80

Standard carrier with integral guidance. End cap can be rotated 4 x 90° to position air connection on any side.
Magnetic piston as standard.
Dovetail profile for mounting of accessories and the cylinder itself.



LONG-STROKE VERSION

For extremely long strokes up to max. 41m



BASIC CYLINDER OPTIONS

CLEAN ROOM CYLINDERS

For use in clean room applications, certified with the IPA-Certificate (to DIN EN ISO 14644-1).
The special design of the linear drive enables all emissions to be led away.



ATEX-Version

For use in Ex-Areas



BOTH AIR CONNECTIONS AT ONE END

For simplified tubing connections and space saving.



STAINLESS VERSION

For use in constantly damp or wet environments. All screws are A2 quality stainless steel (material no.1.4301 / 1.4303)



INTEGRATED VOE VALVES

The complete compact solution for optimal cylinder control.



SLOW SPEED OPTIONS

Specially formulated grease lubrication facilitates slow, smooth and uniform piston travel in the speed range from 0.005 to 0.2 m/s. Minimum achievable speeds are dependent on several factors. Please consult our technical department.
Slow speed lubrication in combination with Viton® on demand. Oil free operation preferred.



DUPLEX CONNECTION

The duplex connection combines two OSP-P cylinders of the same size into a compact unit with high performance.



VITON® VERSION

For use in an environment with high temperatures or in chemically aggressive areas.
All seals are made of Viton®.
Sealing bands: Stainless steel.

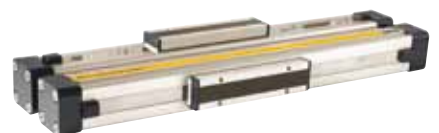


MULTIPLEX CONNECTION

The multiplex connection combines two or more OSP-P cylinders of the same size into one unit.
The orientation of the carriers can be freely selected.

END-FACE AIR CONNECTION

To solve special installation problems.



ACCESSORIES

MAGNETIC SWITCHES TYPE RS, ES, RST, EST

For electrical sensing of end and intermediate piston positions, also in EX-Areas.



MOUNTING FOR OSP-P10 UP TO P80

CLEVIS MOUNTING

Carrier with tolerance and parallelism compensation for driving loads supported by external linear guides.



MID-SECTION SUPPORT

For supporting long cylinders or mounting the cylinder by its dovetail rails.



END CAP MOUNTING

For end-mounting of the cylinder.

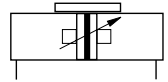


INVERSION MOUNTING

The inversion mounting transfers the driving force to the opposite side, e.g. for dirty environments.



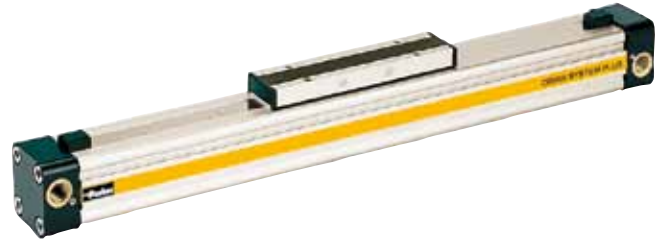
Rodless Pneumatic Cylinder
Ø 10-80 mm



Standard Versions:

- Double-acting with adjustable end cushioning
- With magnetic piston for position sensing

Long-Stroke Cylinders for stroke lengths up to 41 m
 See page 152

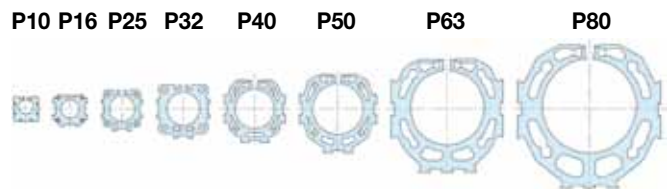


Special Versions:

- with special pneumatical cushioning system (on request)
- Clean room cylinders
- ATEX-Version
- Stainless steel screws
- Slow speed lubrication
- Viton® seals
- Both air connections on one end
- Air connection on the end-face
- Integrated Valves

- End cap can be rotated 4 x 90° to position air connection as desired
- Free choice of stroke length up to 6000 mm, Long-Stroke version (Ø50-80mm) for stroke lengths up to 41 m

Size Comparison

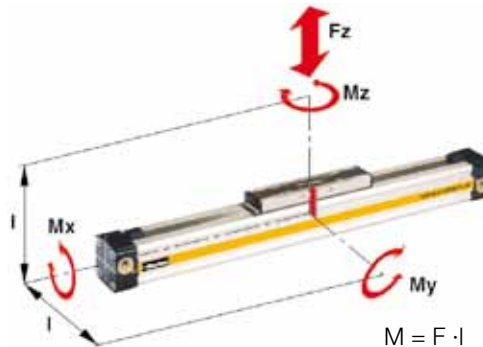


Characteristics	Description
General Features	
Type	Rodless cylinder
Series	OSP-P
System	Double-acting, with cushioning, position sensing capability
Mounting	See drawings
Air Connection	Threaded
Ambient temperature range T_{min} to T_{max}	-10 °C Other temperature ranges +80 °C on request
Installation	In any position
Medium	Filtered, unlubricated compressed air (other media on request)
Lubrication	Permanent grease lubrication (additional oil mist lubrication not required) Option: special slow speed grease
Material	
Cylinder Profile	Anodized aluminium
Carrier (piston)	Anodized aluminium
End caps	Aluminium, lacquered / Plastic (P10)
Sealing bands	Corrosion resistant steel
Seals	NBR (Option: Viton®)
Screws	Galvanized steel Option: stainless steel
Dust covers, wipers	Plastic
Max. operating pressure p_{max}	8 bar

Loads, Forces and Moments

Choice of cylinder is decided by:

- Permissible loads, forces and moments
- Performance of the pneumatic end cushions.



$M = F \cdot l$
Bending moments are calculated from the centre of the linear actuator

The main factors here are the mass to be cushioned and the piston speed at start of cushioning (unless external cushioning is used, e. g. hydraulic shock absorbers).

The adjacent table shows the maximum values for light, shock-free operation, which must not be exceeded even in dynamic operation. Load and moment data are based on speeds $v \leq 0.5$ m/s.

When working out the action force required, it is essential to take into account the friction forces generated by the specific application or load.

Cylinder-Series [mm Ø]	Theoretical Action Force at 6 bar [N]	effektive Action Force F_A at 6 bar [N]	max. Moments			max. Load F [N]	Cushion Length [mm]
			Mx [Nm]	My [Nm]	Mz [Nm]		
OSP-P10	47	32	0.2	1	0.3	20	2.5 *
OSP-P16	120	78	0.45	4	0.5	120	11
OSP-P25	295	250	1.5	15	3	300	17
OSP-P32	483	420	3	30	5	450	20
OSP-P40	754	640	6	60	8	750	27
OSP-P50	1178	1000	10	115	15	1200	30
OSP-P63	1870	1550	12	200	24	1650	32
OSP-P80	3016	2600	24	360	48	2400	39

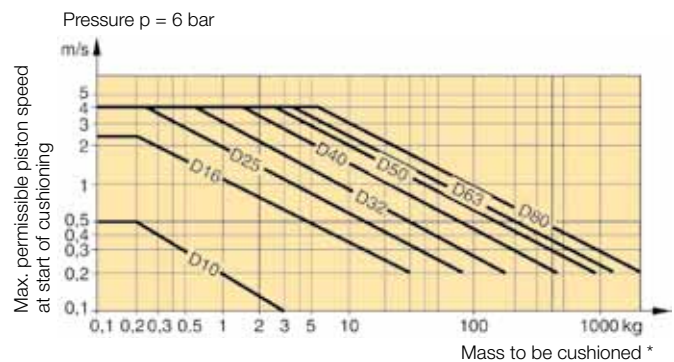
* A rubber element (non-adjustable) is used for end cushioning.

To deform the rubber element enough to reach the absolute end position would require a Δp of 4 bar!

Cushioning Diagram

Work out your expected moving mass and read off the maximum permissible speed at start of cushioning. Alternatively, take your desired speed and expected mass and find the cylinder size required.

Please note that piston speed at start of cushioning is typically ca. 50 % higher than the average speed, and that it is this higher speed which determines the choice of cylinder. If these maximum permissible values are exceeded, additional shock absorbers must be used.



Weight (mass) kg

Cylinder series (Basic cylinder)	Weight (Mass) kg	
	At 0 mm stroke	per 100 mm stroke
OSP-P10	0.087	0.052
OSP-P16	0.22	0.1
OSP-P25	0.65	0.197
OSP-P32	1.44	0.354
OSP-P40	1.95	0.415
OSP-P50	3.53	0.566
OSP-P63	6.41	0.925
OSP-P80	12.46	1.262

* For cylinders with linear guides or brakes, please be sure to take the mass of the carriage or the brake housing into account.

If the permitted limit values are exceeded, either additional shock absorbers should be fitted in the area of the centre of gravity or you can consult us about our special cushioning system – we shall be happy to advise you on your specific application.

Options - Basic Cylinder

1-4	5+6	7	8	9	10	11	12-16	17	18	19	20	21	22	23	24	25
OSPP	25	0	0	0	0	0	01100	0	0	0	0	0	0	0	0	0

Piston-Ø

10
16
25
32
40
50
63
80

Stroke Length

In mm (5 digits)

Piston Mounting

0	without
1	clevis mounting

add. Guide Carriage

0	without
---	---------

Measuring system

0	without
X	SFI 0,1 mm
Y	SFI 1 mm

Screws

0	standard
1	Stainless

Cushioning

0	standard
1	max. length ³⁾

Version / Piston

0	standard
1	Tandem

Lubrication

0	standard
1	slow speed ²⁾³⁾

End cap position

0	l+r0° = in front
1	l+r90° = underneath
2	l+r180° = at the back
3	l+r270° = same side as outerband
4	l90° = underneath; r0° = in front
5	l180° = at the back; r0° = in front
6	l270° = same side as outerband; r0° = in front
7	l0° = in front; r90° = underneath
8	l180° = at the back; r90° = underneath
9	l270° = same side as outerband; r90° = underneath
A	l0° = in front; r180° = at the back
B	l90° = underneath; r180° = at the back
C	l270° = same side as outerband; r180° = at the back
D	l0° = in front; r270° = same side as outerband
E	l90° = underneath; r270° = same side as outerband
F	l180° = at the back; r270° = same side as outerband

Guides/ Brakes/ Inversion

0	without
A	Activebrake AB Ø25-80
M	Inversion Ø16-80
N	Duplex Ø25,32,40,50

Cover / Cable Channel

0	standard
1	Cable channel
2	Cable channel two-sided
X	without cover rail

Air Connection

0	standard
1	end face
2	both at one end
3	left stand. right end face
4	right stand. left end face
A	3/2 Way valve VOE 24V = Ø25,32,40,50
B	3/2 Way valve VOE 230V~ /110V= Ø25,32,40,50
C	3/2 Way valve VOE 48V = Ø25,32,40,50
E	3/2 Way valve VOE 110V~ Ø25,32,40,50

Seals

0	standard (NBR)
1	Viton ^{®1)}

End cap position (air connection)

270° same side as outerband
 180° at the back
 0° in front
 90° underneath
 end-face

Cylinder R (right end side)

270° same side as outerband
 180° at the back
 0° in front
 90° underneath
 end-face

Cylinder L (left end side)

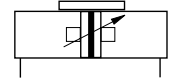
270° same side as outerband
 180° at the back
 0° in front
 90° underneath
 end-face

1) Viton with VOE not available.

2) Slow speed lubrication in combination with Viton® seals on demand

3) „Lubrication slow speed“ in combination with „max. cushioning length“ not possible.

**Long Stroke Cylinder Ø 50-80 mm
for strokes up to 41 m**



Standard Versions:

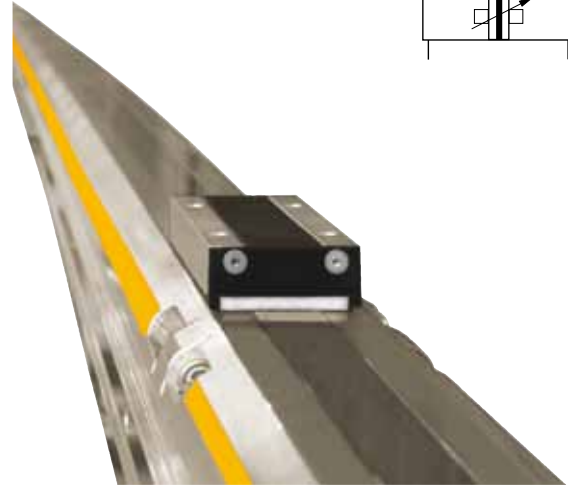
- Double-acting with adjustable end cushioning
- With magnetic piston for position sensing

Special Versions:

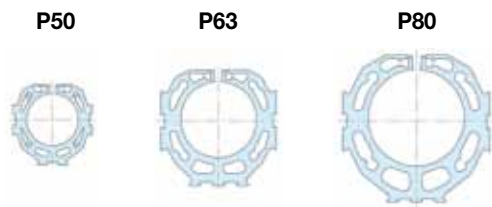
- Stainless steel screws
- Slow speed lubrication
- Viton® seals

Options:

- Displacement measuring system SFI-plus
- Active brake AB..



Size Comparison

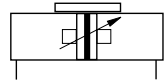


Weight (mass) kg

Cylinder series (Basic cylinder)	Weight (Mass) kg	
	At 0 mm stroke	per 100 mm stroke
OSP-P50LS	3.53	0.566
OSP-P63LS	6.41	0.925
OSP-P80LS	12.46	1.262

Characteristics	Description
General Features	
Type	Rodless cylinder
Series	OSP-P
System	Double-acting, with cushioning, position sensing capability
Mounting	See drawings
Air Connection	Threaded
Ambient temperature range T_{min} to T_{max}	10 °C Other temperature ranges +40 °C on request
Installation Medium	Vertical, horizontal (piston at top or at bottom) Filtered, unlubricated compressed air (other media on request)
Lubrication	Permanent grease lubrication (additional oil mist lubrication not required) Option: special slow speed grease
Material	
Cylinder Profile	Anodized aluminium
Carrier (piston)	Anodized aluminium
End caps	Anodized aluminium
Sealing bands	Corrosion resistant steel
Seals	NBR (Option: Viton®)
Screws	Galvanized steel Option: stainless steel
Dust covers, wipers	Plastic
Max. operating pressure p_{max}	8 bar
Max. speed v	2 m/s

Clean Room Cylinder Ø 16-32 mm Certified to DIN EN ISO 14644-1



Standard Versions:

- Double-acting with adjustable end cushioning
- With magnetic piston for position sensing
- Stainless steel screws

Special Versions:

- Slow speed lubrication
- Viton® seals

Features:

- Clean room classification
ISO Class 4 at $v_m = 0.14$ m/s
ISO Class 5 at $v_m = 0.5$ m/s
- Suitable for smooth slow speed operation up to
 $v_{min} = 0.005$ m/s
- Optional stroke length up to 1200 mm
(longer strokes on request)
- Low maintenance
- Compact design with equal force and velocity
in both directions
- Aluminium piston with bearing rings to support
high direct and cantilever loads



Size Comparison

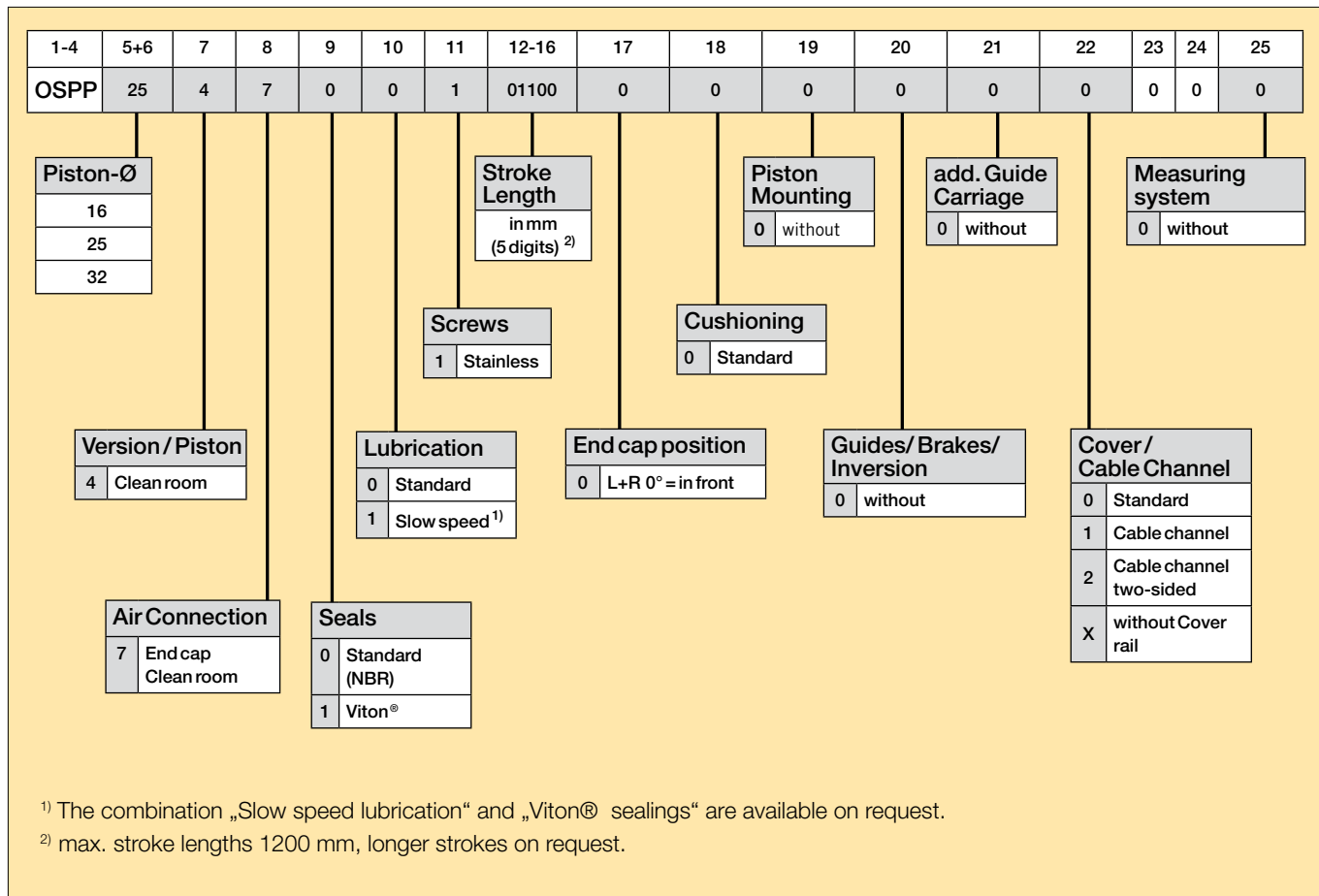


Weight (mass) kg

Cylinder series (Basic cylinder)	At 0 mm stroke	Weight (Mass) kg per 100 mm stroke
OSP-P16	0.22	0.1
OSP-P25	0.65	0.197
OSP-P32	1.44	0.354

Characteristics	Description
General Features	
Type	Rodless cylinder
Series	OSP-P
System	Double-acting, with cushioning, position sensing capability
Mounting	See drawings
Air Connection	Threaded
Ambient temperature range T_{min} to T_{max}	-10 °C Other temperature ranges +80 °C on request
Installation	In any position
Medium	Filtered, unlubricated compressed air (other media on request)
Lubrication	Permanent grease lubrication (additional oil mist lubrication not required) Option: special slow speed grease
Material	
Cylinder Profile	Anodized aluminium
Carrier (piston)	Anodized aluminium
End caps	Aluminium, lacquered
Sealing bands	Corrosion resistant steel
Seals	NBR (Option: Viton®)
Screws	Stainless steel
Covers	Anodised aluminium
Guide plate	Plastic
Max. operating pressure p_{max}	8 bar

Options - Clean Room Cylinders



Components for EX-Areas

Information for ATEX-Directives

The rodless pneumatic cylinders of Parker Origa are the first linear drive unit, for that Ex range in the group of equipment II, Category 2 GD are certified.

Detail informations for use pneumatic components in Ex-Areas see leaflet P-A5P060 „EU Directive 94/9/EG (ATEX 95) for Pneumatic Components“.

Rodless Cylinder Ø 10-80 mm Basic Cylinder - Series: OSP-P ... ATEX



Plain Bearing Guide Ø 16-80 mm SLIDELINE - Series: SL- ... ATEX



Technical Data (deviant to the Standard Cylinder)

Characteristics	Description
General Features	
Ambient temperature range T_{min} / T_{max}	-10 °C / +60 °C
Max. switching frequency	1 Hz (double stroke/s) Basic cylinder 0.5 Hz (1 stroke/s) Cylinder with guide
Operating pressure range p_{max}	Max. 8 bar
Max. speed v_{max}	3 m/s Basic cylinder, 2 m/s Cylinder with guide
Medium	Filtered, unlubricated compressed air – free from water and dirt to ISO 8573-1 Solids: Class 7 particle size < 40 µm for Gas Water content: pressure dew point +3 °C, class 4, but at least 5 °C below minimum operating temperature
Noise level	70 dB (A)
Information for materials	
Aluminium	See data sheet "Material"
Lubrication	See security data sheet "Grease for use in Cylinder with guides"
Sealing bands	Corrosion resistant steel

Equipment Group II Categorie 2GD

Rodless cylinder: Ⓢ II 2GD c T4 T135°C -10°C ≤ Ta ≤ +60°C

Series	Size	Stroke range	Accessories
OSP-P	Ø 10 to 80 programme	1– 6000 mm	Mountings
SLIDELINE	Ø 16 to 80 programme	1– 5500 mm	Mountings

Synchronised Rodless Cylinder

Ø 40 mm

For synchronised bi-parting movements

Type OSP-P40-SL-BP

Applications:

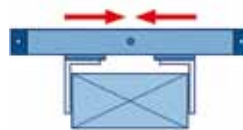
- Opening and closing operations
- Gripping of workpieces – outside
- Gripping of hollow workpieces – inside
- Gripping underneath larger objects
- Clamping force adjustable via pressure regulator

Features:

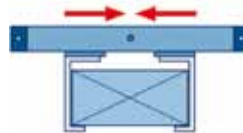
- Accurate bi-parting movement through toothed belt synchronization
- Optimum slow speed performance
- Increased action force
- Anodized aluminium guide rail with prism-form slideway arrangement
- Adjustable polymer slide units
- Combined sealing system with polymer and felt elements to remove dirt and lubricate the slideway
- Integrated grease nipples for guide lubrication



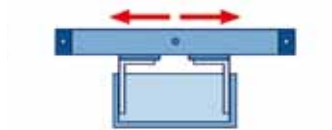
Applications:



Gripping – outside



Gripping – underneath



Door opening and closing

Characteristics	Description	
General Features		
Type	Rodless cylinder for synchronised bi-parting movements	
Series	OSP-P	
System	Double-acting with end cushioning for contactless position sensing	
Guide	Slideline SL40	
Synchronisation	Toothed belt	
Mounting	See drawings	
Ambient temperature range	-10 °C to +60 °C	
Installation	In any position	
Medium	Filtered, unlubricated compressed air (other media on request)	
Lubrication	Special slow speed grease - additional oil mist lubrication not required	
Operating pressure p_{max}	6 bar	
Cushioning middle position	Elastic buffer	
Max. speed v_{max}	0.2 m/s	
Max. stroke of each stroke	500 mm	
Max. mass per guide carrier	25 kg	
Max. moments on guide carrier		
Lateral moment Mx_{max}	25 Nm	
Axial moment My_{max}	46 Nm	
Rotating moment Mz_{max}	46 Nm	
Material		
Toothed belt	Steel-corded polyurethane	
Belt wheel	Aluminium	

For more technical information see catalogue P-A4P011GB

OSP

ORIGA
 SYSTEM
 PLUS

Adaptive modular system

The Origa system plus – OSP – provides a comprehensive range of linear guides for the pneumatic and electric linear drives.

Advantages:

- Takes high loads and forces
- High precision
- Smooth operation
- Can be retrofitted
- Can be installed in any position

Rodless Pneumatic Cylinder Series OSP - P

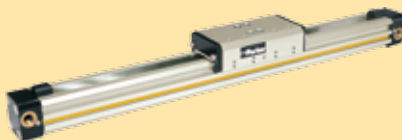
Piston diameters 10 – 80 mm

See page 149 (Standard)
 See page 155 (ATEX-Version)



Plain Bearing Guide BASIC GUIDE

Series BG 25 to 40 for Linear Drive Compact, robust plain bearing guide for medium loads



Linear Guides

SLIDELINE

The cost-effective plain bearing guide for medium loads. Active/ Passive Brake optional.

Piston diameters 16 – 80 mm

See page 159 (Standard)
 See page 155 (ATEX-Version)



POWERSLIDE

The roller guide for heavy loads and hard application conditions

Piston diameters 16 – 50 mm

See page 160



PROLINE

The compact aluminium roller guide for high loads and velocities.

Active/ Passive Brake optional.
 Piston diameters 16 – 50 mm

See page 161



STARLINE

Recirculating ball bearing guide for very high loads and precision

Piston diameters 16 – 50 mm

See page 162



KF GUIDE

Recirculating ball bearing guide. Correspond to FESTO dimensions (Type DGPL-KF)

Piston diameters 16 – 50 mm

See page 163



HD HEAVY DUTY GUIDE

Recirculating ball bearing guide for highest loads and greatest accuracy.

Piston diameters 25 – 50 mm

See page 164



Plain Bearing Guide

BASIC GUIDE

Series BG 25 to 40 for Linear Drive

Compact, robust plain bearing guide for medium loads



Features:

- Compact: guide rail integrated in cylinder profile tube
- Robust: wiper system and grease nipples for long service life
- smooth operation
- simple to (re-) adjust
- Integrated grease nipples
- Any length of stroke up to 6000 mm (longer strokes on request)

Options:

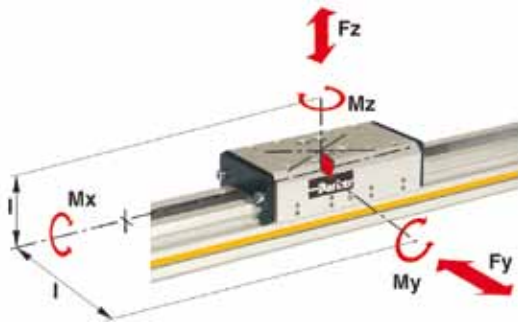
- Corrosion resistant version available on request
- VOE-Valves

Accessories:

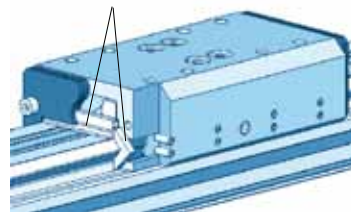
- Mid-Section Support
- End Cap Mountings
- Magnetic Switches

Loads, Forces and Moments

Loads, Forces and Moments



Composite sealing system with high-tech polymer and felt wiper elements to remove dirt and lubricate the slideways.



Technical Data

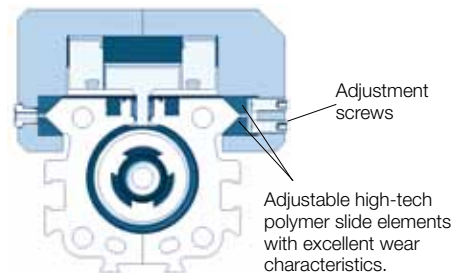
The table shows the maximum permissible values for smooth operation, which should not be exceeded even under dynamic conditions.

The load and moment figures apply to speeds $v < 0.2$ m/s.

*** Please note:**

In the cushioning diagram, add the mass of the guide carriage to the mass to be cushioned.

$$\frac{M_x}{M_{x_{max}}} + \frac{M_y}{M_{y_{max}}} + \frac{M_z}{M_{z_{max}}} + \frac{F_y}{F_{y_{max}}} + \frac{F_z}{F_{z_{max}}} \leq 1$$



The sum of the loads should not exceed >1.

Series	Max. moments [Nm]			Max. load [Nm] Fy, Fz	Mass of Basic guide [kg] at stroke	per 100mm stroke	Mass* of guide carriage [kg]	Cushion stone (mm)
	Mx	My	Mz					
BG25	10	28	28	590	1.09	0.22	0.29	17
BG32	17	43	43	850	2.26	0.38	0.69	20
BG40	39	110	110	1600	3.52	0.41	1.37	27

**Plain Bearing Guide
 SLIDELINE**

Series SL 16 to 80 for Linear Drive

Features:

- ATEX-version (without brake) is also available
 See page 155
- Anodised aluminium guide rail with prism-shaped
 slideway arrangement
- Adjustable plastic slide elements – optional with
 integral brake
- Composite sealing system with plastic and felt
 wiper elements to remove dirt and lubricate the
 slideways
- Corrosion resistant version available on request
- Any length of stroke up to 5500 mm
 (longer strokes on request)

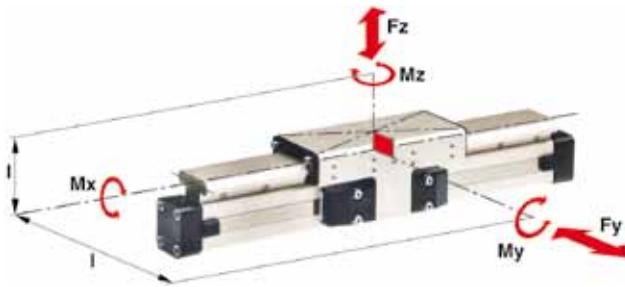


**Integrated Brake (optional)
 for series OSP-P25 to OSP-P50:**

- Actuated by pressure
- Released by exhausting and spring return

For further technical data see also Linear Drives
 OSP-P catalogue P-A4P011GB

Loads, Forces and Moments



Technical Data

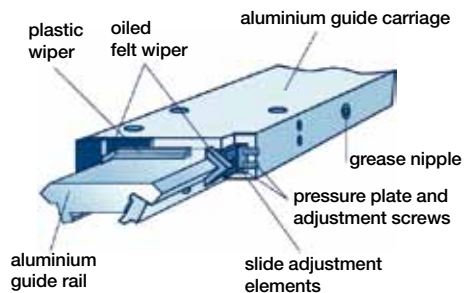
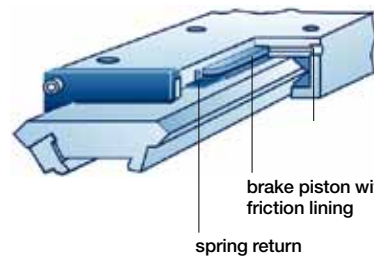
The table shows the maximum permissible values for smooth
 operation, which should not be exceeded even under dynamic
 conditions.

The load and moment figures apply to speeds $v < 0.2$ m/s.

*** Please note:**

In the cushioning diagram, add the mass of the guide
 carriage to the mass to be cushioned.

- 1) Only with integrated brake: Braking force on dry oil-free
 surface Values are decreased for lubricated slideways
- 2) Corrosion resistant fixtures available on request



Series	For linear drive	Max. moments [Nm]			Max. loads [N] Fy, Fz	Maximum braking force at 6 bar [N] ¹⁾ with 0 mm stroke	Mass of linear drive with guide [kg]		Mass* of guide carriage [kg]	Order No. SLIDELINE ²⁾ Guide without cylinder	
		Mx	My	Mz			increase per 100 mm stroke	Without brake		With brake	
SL16	OSP-P16	6	11	11	325	–	0.57	0.22	0.23	20341FIL	–
SL25	OSP-P25	14	34	34	675	325	1.55	0.39	0.61	20342FIL	20409FIL
SL32	OSP-P32	29	60	60	925	545	2.98	0.65	0.95	20196FIL	20410FIL
SL40	OSP-P40	50	110	110	1500	835	4.05	0.78	1.22	20343FIL	20411FIL
SL50	OSP-P50	77	180	180	2000	1200	6.72	0.97	2.06	20195FIL	20412FIL
SL63	OSP-P63	120	260	260	2500	–	11.66	1.47	3.32	20853FIL	–
SL80	OSP-P80	120	260	260	2500	–	15.71	1.81	3.32	21000FIL	–

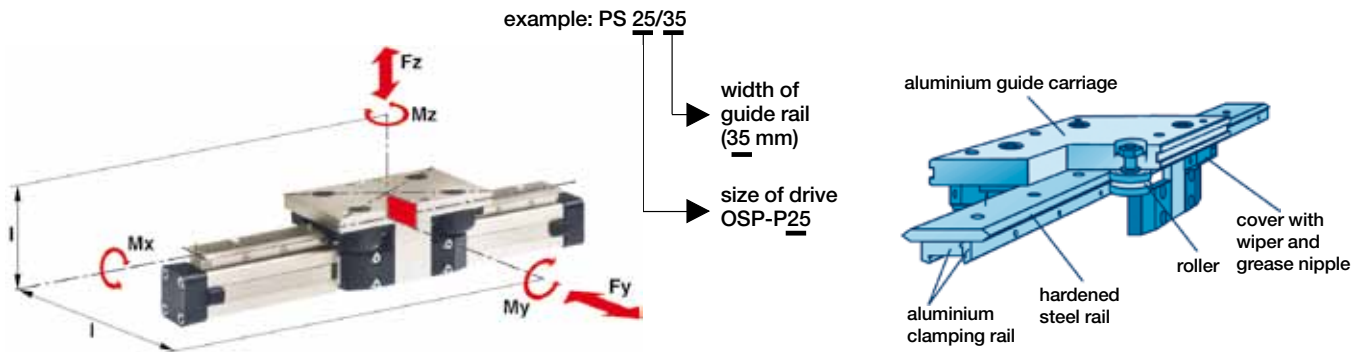
**Roller Guide
POWERSLIDE
Series PS 16 to 50 for Linear Drive**



Features:

- Anodised aluminium guide carriage with vee rollers having 2 rows of ball bearings
- Hardened steel guide rail
- Several guide sizes can be used on the same drive
- Corrosion resistance version available on request
- Max. speed $v = 3 \text{ m/s}$,
- Tough roller cover with wiper and grease nipple
- Any length of stroke up to 3500 mm, (longer strokes on request)

Loads, Forces and Moments



Technical Data

The table shows the maximum per-missible values for smooth operation, which should not be exceeded even under dynamic conditions.

For further information and technical data see data sheets for linear drives OSP-P see catalogue P-A4P011GB.

*** Please note:**

In the cushioning diagram, add the mass of the guide carriage to the mass to be cushioned.

Series	For linear drive	Max. moments [Nm]			Max. load [N]	Mass of linear drive with guide [kg]		Mass* of guide carriage [kg]	Order-No. Powerslide Guide without cylinder ¹⁾
		Mx	My	Mz		Fy, Fz	with 0 mm stroke		
PS 16/25	OSP-P16	14	45	45	1400	0.93	0.24	0.7	20285FIL
PS 25/25	OSP-P25	14	63	63	1400	1.5	0.4	0.7	20015FIL
PS 25/35	OSP-P25	20	70	70	1400	1.7	0.4	0.8	20016FIL
PS 25/44	OSP-P25	65	175	175	3000	2.6	0.5	1.5	20017FIL
PS 32/35	OSP-P32	20	70	70	1400	2.6	0.6	0.8	20286FIL
PS 32/44	OSP-P32	65	175	175	3000	3.4	0.7	1.5	20287FIL
PS 40/44	OSP-P40	65	175	175	3000	4.6	1.1	1.5	20033FIL
PS 40/60	OSP-P40	90	250	250	3000	6	1.3	2.2	20034FIL
PS 50/60	OSP-P50	90	250	250	3000	7.6	1.4	2.3	20288FIL
PS 50/76	OSP-P50	140	350	350	4000	11.5	1.8	4.9	20289FIL

¹⁾ corrosion resistance version available on request (max. loads and moments are 25% lower)

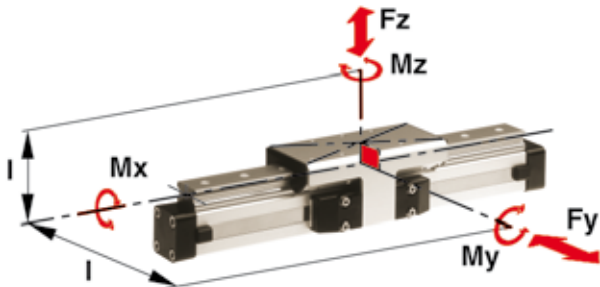
Aluminium Roller Guide PROLINE

Series PL 16 to 50 for Linear Drive

Features:

- High precision
- High velocities (10 m/s)
- Smooth operation - low noise
- Integrated wiper system
- Long life lubrication
- Compact dimensions - compatible to Slideline plain bearing guide
- Any length of stroke up to 3750 mm

Loads, Forces and Moments



Technical Data

The table shows the maximal permissible loads. If multiple moments and forces act upon the cylinder simultaneously, the following equation applies:

$$\frac{M_x}{M_{x_{max}}} + \frac{M_y}{M_{y_{max}}} + \frac{M_z}{M_{z_{max}}} + \frac{F_y}{F_{y_{max}}} + \frac{F_z}{F_{z_{max}}} \leq 1$$

The sum of the loads should not exceed >1. With a load factor of less than 1, service life is 8000 km

The table shows the maximum permissible values for light, shock-free operation, which must not be exceeded even under dynamic conditions.

* Please note:

The mass of the carriage has to be added to the total moving mass when using the cushioning diagram

Series	For linear drive	Max. moments [Nm]			Max. loads [N] Fy, Fz	Maximum braking force at 6 bar [N] ¹⁾	Mass of linear drive with guide [kg]		Mass * guide carriage [kg]	Order No. PROLINE	
		Mx	My	Mz			with 0 mm stroke	increase per 100 mm stroke		Guide without cylinder without brake	with brake
PL 16	OSP-P16	8	12	12	542	-	0.55	0.19	0.24	20855FIL	-
PL 25	OSP-P25	16	39	39	857	on request	1.65	0.40	0.75	20856FIL	20860FIL
PL 32	OSP-P32	29	73	73	1171	on request	3.24	0.62	1.18	20857 FIL	20861FIL
PL 40	OSP-P40	57	158	158	2074	on request	4.35	0.70	1.70	20858FIL	20862FIL
PL 50	OSP-P50	111	249	249	3111	on request	7.03	0.95	2.50	20859FIL	20863FIL

¹⁾ Only for version with brake:

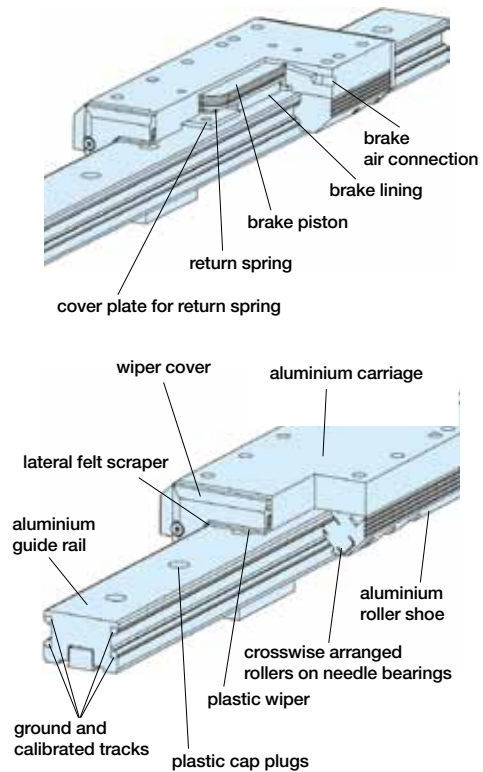
Braking surface dry – oiled surface reduces the effective braking force.



Integrated Brake (optional) for series OSP-P25 to OSP-P50:

- Actuated by pressurisation
- Released by depressurisation and spring actuation

Option - Integrated Brake



Recirculating Ball Bearing Guide STARLINE

Series STL 16 to 50 for Linear Drive

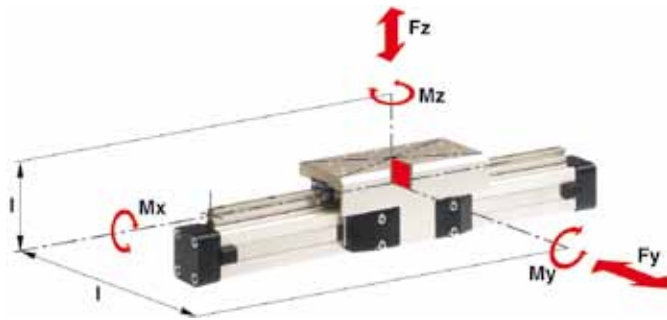
Features:

- Polished and hardened steel guide rail
- For very high loads in all directions
- High precision
- Integrated wiper system
- Integrated grease nipples
- Any length of stroke up to 3700 mm
- Anodized aluminium guide carriage – dimensions compatible with OSP guides SLIDELINE and PROLINE
- Installation height (STL16 - 32) compatible with OSP guides SLIDELINE and PROLINE



- Maximum speed
STL16: v = 3 m/s
STL25 to 50: v = 5 m/s

Loads, Forces and Moments



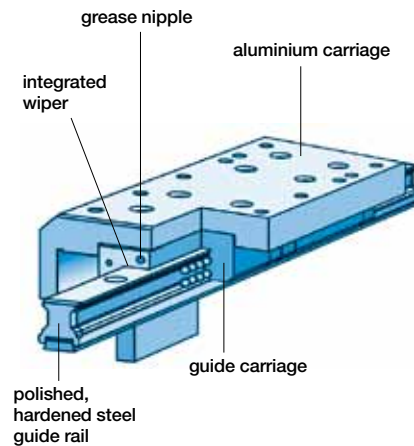
Technical Data

The table shows the maximal permissible loads. If multiple moments and forces act upon the cylinder simultaneously, the following equation applies:

$$\frac{M_x}{M_{x_{max}}} + \frac{M_y}{M_{y_{max}}} + \frac{M_z}{M_{z_{max}}} + \frac{F_y}{F_{y_{max}}} + \frac{F_z}{F_{z_{max}}} \leq 1$$

The sum of the loads should not exceed >1.

The table shows the maximum permissible values for light, shock-free operation, which must not be exceeded even under dynamic conditions.



*** Please note:**

The mass of the carriage has to be added to the total moving mass when using the cushioning diagram

Series	For linear drive	Max. moments [Nm]			Max. loads [N]		Mass of linear drive with guide [kg]		Mass** guide carriage [kg]	Order No. STARLINE Guide without cylinder
		Mx	My	Mz	Fy	Fz	with 0 mm stroke	increase per 100 mm stroke		
STL16	OSP-P16	15	30	30	1000	1000	0.598	0.210	0.268	21111FIL
STL25	OSP-P25	50	110	110	3100	3100	1.733	0.369	0.835	21112FIL
STL32	OSP-P32	62	160	160	3100	3100	2.934	0.526	1.181	21113FIL
STL40	OSP-P40	150	400	400	4000	7500	4.452	0.701	1.901	21114FIL
STL50	OSP-P50	210	580	580	4000	7500	7.361	0.936	2.880	21115FIL

Recirculating Ball Bearing Guide Series KF 16 to 50 for Linear Drive

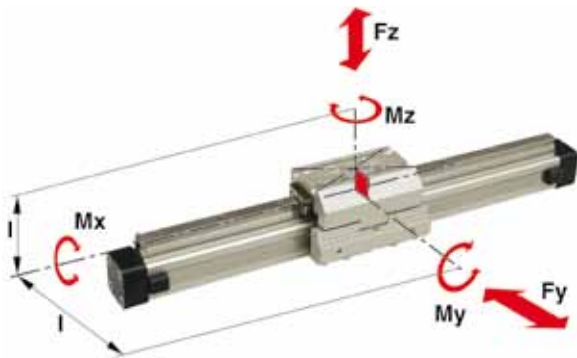


Features:

- Anodized aluminium guide carriage, the mounting dimensions correspond to FESTO Type: DGPL-KF
- Polished and hardened steel guide rail
- For high loads in all directions
- High precision
- Integrated wiper system
- Integrated grease nipples
- Any length of stroke up to 3700 mm

- Maximum speed
 KF16, KF40: v = 3 m/s
 KF25, KF32, KF50: v = 5 m/s

Loads, Forces and Moments



Technical Data

The table shows the maximal permissible loads. If multiple moments and forces act upon the cylinder simultaneously, the following equation applies:

$$\frac{M_x}{M_{x_{max}}} + \frac{M_y}{M_{y_{max}}} + \frac{M_z}{M_{z_{max}}} + \frac{F_y}{F_{y_{max}}} + \frac{F_z}{F_{z_{max}}} \leq 1$$

The sum of the loads should not exceed >1.

The table shows the maximum permissible values for light, shock-free operation, which must not be exceeded even under dynamic conditions.

*** Please note:**

The mass of the carriage has to be added to the total moving mass when using the cushioning diagram

Series	For linear drive	Max. moments [Nm]			Max. loads [N]		Mass of linear drive with guide [kg]		Mass* guide carriage [kg] size	Groove stone Thread	Order No.	
		Mx	My	Mz	Fy	Fz	stroke	with 0 mm stroke			increase per 100 mm	Groove stone cylinder
KF 16	OSP-P16	12	25	25	1000	1000	0.558	0.21	0.228	-	-	21101FIL
KF 25	OSP-P25	35	90	90	3100	3100	1.522	0.369	0.607	M5	13508FIL	21102FIL
KF 32	OSP-P32	44	133	133	3100	3100	2.673	0.526	0.896	M5	13508FIL	21103FIL
KF 40	OSP-P40	119	346	346	4000	7100	4.167	0.701	1.531	M6	13509FIL	21104FIL
KF 50	OSP-P50	170	480	480	4000	7500	7.328	0.936	2.760	M8	13510FIL	21105FIL

Heavy Duty Guide

HD

Series HD 25 to 50 for Linear Drive

Features:

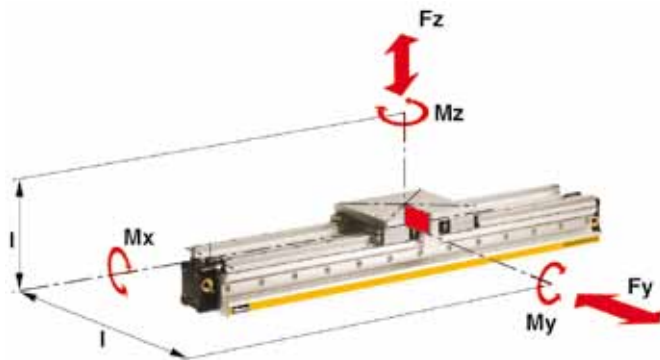
- Guide system: 4-row recirculating ball bearing guide
- Polished and hardened steel guide rail
- For highest loads in all directions
- Highest precision
- Integrated wiper system
- Integrated grease nipples
- Any lengths of stroke up to 3700 mm (longer strokes on request)
- Anodized aluminium guide carriage - dimensions compatible with OSP guide GUIDELINE
- Maximum speed $v = 5 \text{ m/s}$



Options:

- With variable stop
- With intermediate stop module

Loads, Forces and Moments



Technical Data

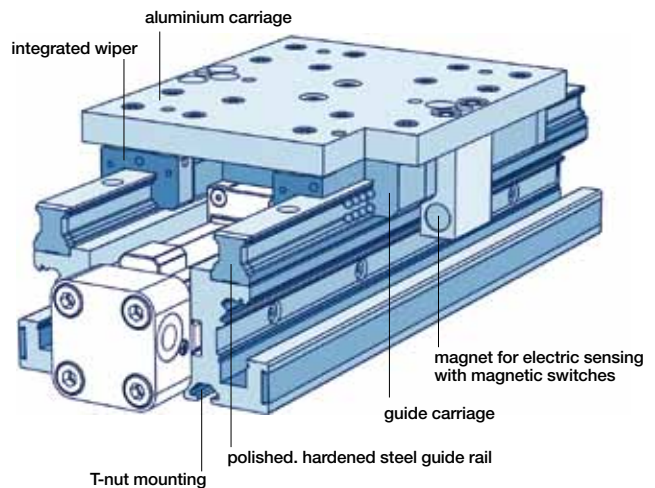
The table shows the maximal permissible loads. If multiple moments and forces act upon the cylinder simultaneously, the following equation applies:

$$\frac{M_x}{M_{x_{max}}} + \frac{M_y}{M_{y_{max}}} + \frac{M_z}{M_{z_{max}}} + \frac{F_y}{F_{y_{max}}} + \frac{F_z}{F_{z_{max}}} \leq 1$$

The sum of the loads should not exceed >1.

The table shows the maximum permissible values for light, shock-free operation, which must not be exceeded even under dynamic conditions.

Version with pneumatic linear drive series OSP-P



*** Please note:**

The mass of the carriage has to be added to the total moving mass when using the cushioning diagram

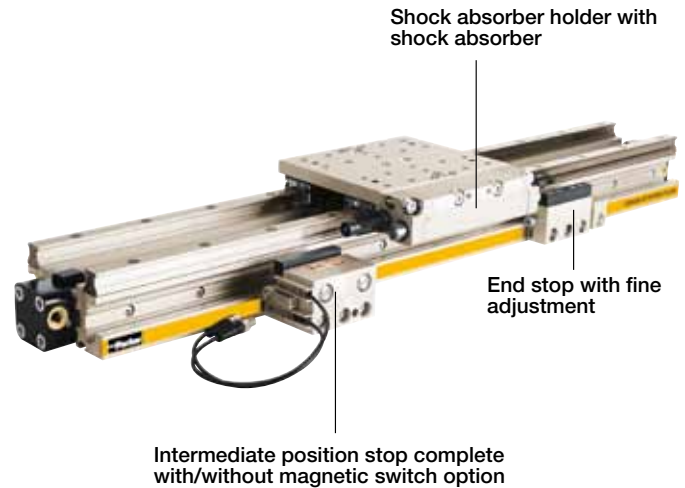
Series linear	For	Max. moments [Nm]			Max. loads with guide carriage [N]	Max. loads with guide carriage [kg]	Mass of the linear drive guide		Mass* HD guide [kg]	Order No. drive cylinder
		Mx	My	Mz			without with 0mm stroke	increase per 100 mm stroke		
HD 25	OSP-P25	260	320	320	6000	6000	3.065	0.924	1.289	21246FIL
HD 32	OSP-P32	285	475	475	6000	6000	4.308	1.112	1.367	21247FIL
HD 40	OSP-P40	800	1100	1100	15000	15000	7.901	1.748	2.712	21248FIL
HD 50	OSP-P50	1100	1400	1400	18000	18000	11.648	2.180	3.551	21249FIL

Intermediate Stop Module

Type ZSM .. HD

The intermediate stop module ZSM allows the guide carriage to stop at any desired intermediate positions with high accuracy. It can be retrofitted. Depending on the application, i.e. the number of intermediate stops, one or more intermediate position stops can be used. The intermediate position stops can be retracted and extended without the need for the guide carriage to be moved back out of position.

Therefore the guide carriage can be made to stop at the defined intermediate positions in any order.



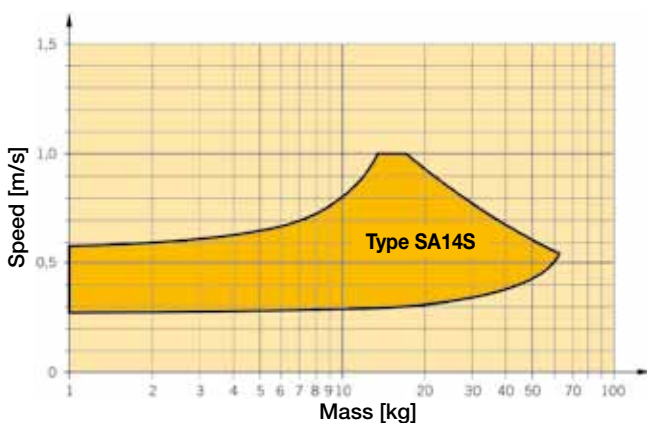
ORIGA intermediate stop module ZSM:

- Allows stopping at any intermediate positions
- Intermediate position stops can be located steplessly anywhere along the whole stroke length
- Movement to the next position without reverse stroke
- Compact unit
- Cost-effective positioning module without electrical or electronic components
- Option: end stop with fine adjustment

Operating information

Operating pressure range:	4 - 8 bar
Temperature range:	-10°C to +70°C
Intermediate position grid	85 mm

Shock Adsorbers Type SA14S



The values relate to an effective driving force of 250 N (6 bar)

OSP

— ORIGA
— SYSTEM
— PLUS

Active Brakes and Passive Brakes

Active Brake
for pneumatic linear drive
Series OSP-P
Piston diameters 25 - 80 mm.

See page 167



Versions:

- ACTIVE Brake
- Plain bearing guide with integrated ACTIVE Brake
- Aluminium roller guide with integrated ACTIVE Brake
- Plain bearing guide with PASSIVE Brake
- Aluminium roller guide with PASSIVE Brake

Slideline with Active Brake
Plain bearing guide SLIDELINE - SL
with integrated ACTIVE Brake
Piston diameters 25 - 50 mm.

See page 159



Proline with Active Brake
Aluminium roller guide
PROLINE - PL with
integrated ACTIVE Brake
Piston diameters 25 - 50 mm.

See page 161



Multibrake with Slideline
MULTI BRAKE – PASSIVE Brake
with plainbearing guide
SLIDELINE - SL
Piston diameter 25 - 80 mm.

See page 168



Multibrake with Proline
MULTI BRAKE – PASSIVE Brake
with aluminium roller guide
PROLINE - PL
Piston diameters 25 - 50 mm.

See page 169



Active Brake
Series AB 25 to 80 for Linear Drive

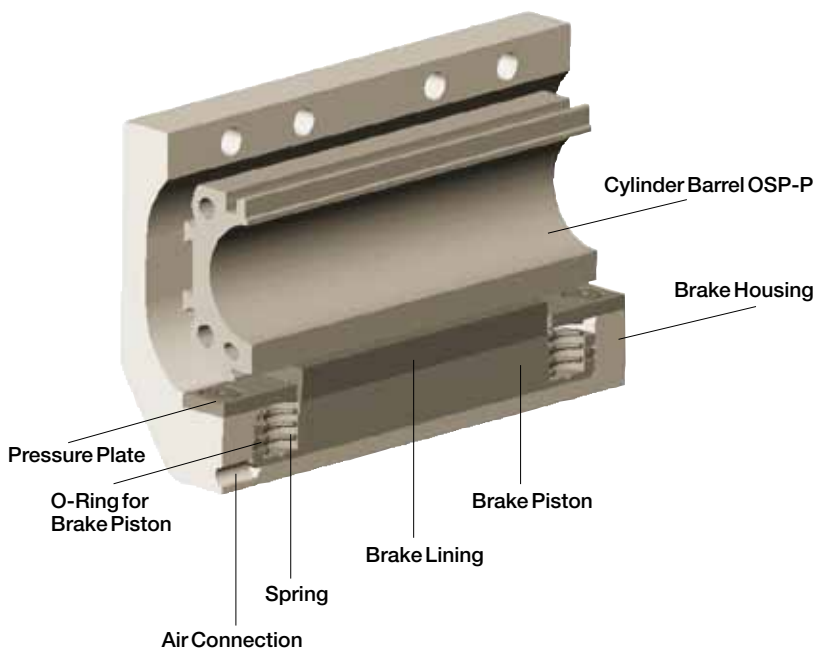


Features:

- Actuated by pressurisation
- Released by spring actuation
- Completely stainless version
- Holds position, even under changing load conditions



Function



Forces and Weights

Series	For linear drive	Max. braking force [N] ⁽¹⁾	Brake pad way [mm]	Mass [kg]		brake*
				Linear drive with brake 0 mm stroke	increase per 100mm stroke	
AB 25	OSP-P25	350	2.5	1.0	0.197	0.35
AB 32	OSP-P32	590	2.5	2.02	0.354	0.58
AB 40	OSP-P40	900	2.5	2.83	0.415	0.88
AB 50	OSP-P50	1400	2.5	5.03	0.566	1.50
AB 63	OSP-P63	2170	3.0	9.45	0.925	3.04
AB 80	OSP-P80	4000	3.0	18.28	1.262	5.82

For further technical data, please refer to the data sheets for linear drives OSP-P see catalogue P-A4P011GB.

Note:

For combinations Active Brake AB + SFI-plus + Magnetic Switch contact our technical department please.

⁽¹⁾ – at 6 bar
 both chambers pressurised with 6 bar
 Braking surface dry
 – oil on the braking surface will reduce the braking force

*** Please Note:**
 The mass of the brake has to be added to the total moving mass when using the cushioning diagram.

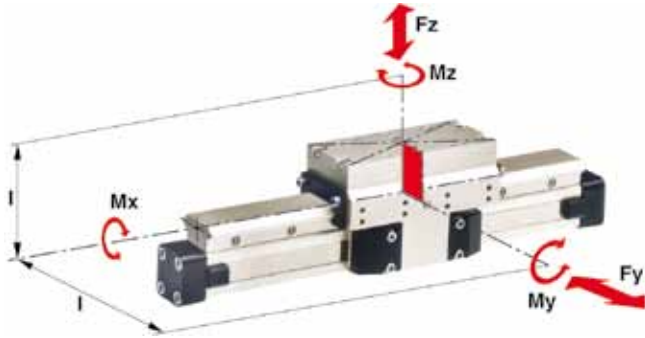
Multi-Brake Passive Brake

with plain bearing guide Slideline SL
Series MB-SL 25 to 80 for Linear Drive

Features:

- Brake operated by spring actuation
- Brake release by pressurisation
- Anodised aluminium rail, with prism shaped slide elements
- Adjustable plastic slide elements
- Composite sealing system with plastic and felt wiper elements to remove dirt and lubricate the slideway
- Replenishable guide lubrication by integrated grease nipples
- Blocking function in case of pressure loss
- Intermediate stops possible

Loads, Forces and Moments



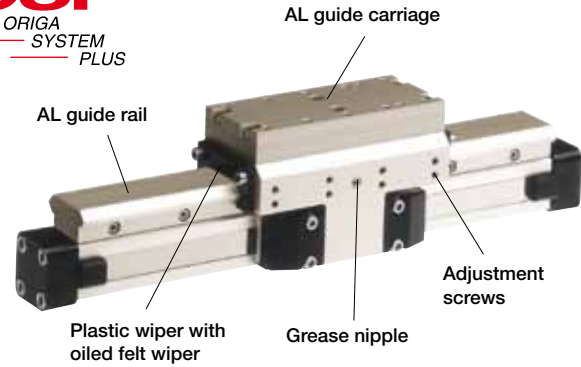
Technical Data

The table shows the maximum values for light, shock-free operation, which must not be exceeded even in dynamic operation.

Load and moment data are based on speeds $v < 0.2$ m/s.
Operating pressure 4.5 - 8 bar
A pressure of 4.5 bar is required to release the brake.

For further technical information, please refer to the data sheets for linear drives OSP-P see catalogue P-A4P011GB.

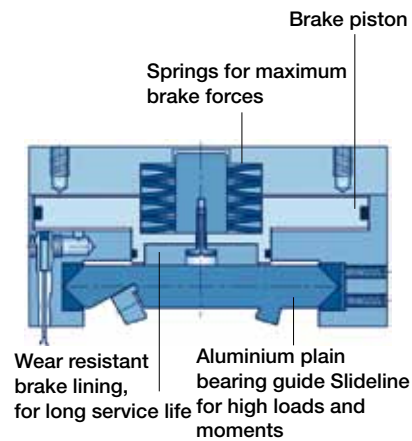
Series	For linear drive	Max. moments [Nm]			Max. loads [N] Fy, Fz	Max. brake force [N] ¹⁾	Mass of linear drive with guide [kg]		Mass* guide carriage [kg]	Order No. – MB-SL Guide with passive brake without cylinder*
		Mx	My	Mz			with 0 mm stroke	increase per 100 mm stroke		
MB-SL 25	OSP-P25	14	34	34	675	470	2.04	0.39	1.10	20796FIL
MB-SL 32	OSP-P32	29	60	60	925	790	3.82	0.65	1.79	20797FIL
MB-SL 40	OSP-P40	50	110	110	1500	1200	5.16	0.78	2.34	20798FIL
MB-SL 50	OSP-P50	77	180	180	2000	1870	8.29	0.97	3.63	20799FIL
MB-SL 63	OSP-P63	120	260	260	2500	2900	13.31	1.47	4.97	20800FIL
MB-SL 80	OSP-P80	120	260	260	2500	2900	17.36	1.81	4.97	20846FIL



Function:

The Multi-Brake is a passive device. When the air pressure is removed the brake is actuated and movement of the cylinder is blocked. The brake is released by pressurisation. The high friction, wear resistant brake linings allow the Multi-Brake to be used as a dynamic brake to stop cylinder movement in the shortest possible time. The powerful springs also allow the Multi-Brake to be used effectively in positioning applications.

Function



* **Please note:**

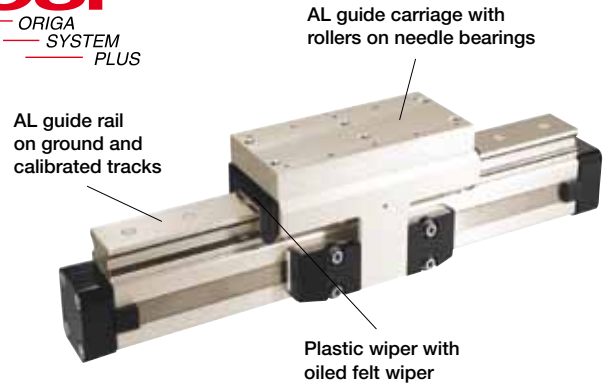
in the cushioning diagram, the mass of the guide carriage has to be added to the total moving mass.

¹⁾ Braking surface dry – oil on the braking surface will reduce the braking force

**Multi-Brake
 Passive Brake**
 with Aluminium Roller Guide Proline PL
 Series MB-PL 25 to 50 for Linear Drive

Features:

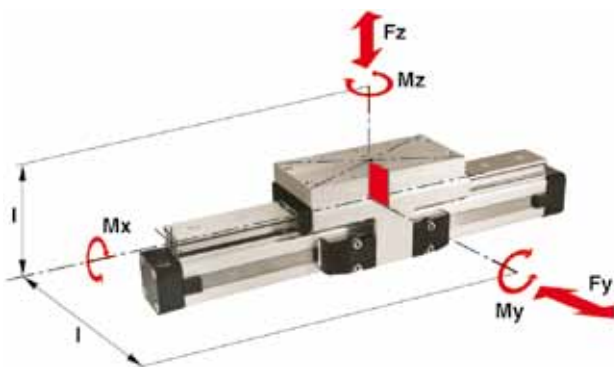
- Brake operated by spring actuation
- Brake release by pressurisation
- Composite sealing system with plastic and felt wiper elements to remove dirt and lubricate the slideway
- Blocking function in case of pressure loss
- Intermediate stops possible



Function:

The Multi-Brake is a passive device. When the air pressure is removed the brake is actuated and movement of the cylinder is blocked. The brake is released by pressurisation. The high friction, wear resistant brake linings allow the Multi-Brake to be used as a dynamic brake to stop cylinder movement in the shortest possible time. The powerful springs also allow the Multi-Brake to be used effectively in positioning applications.

Loads, Forces and Moments



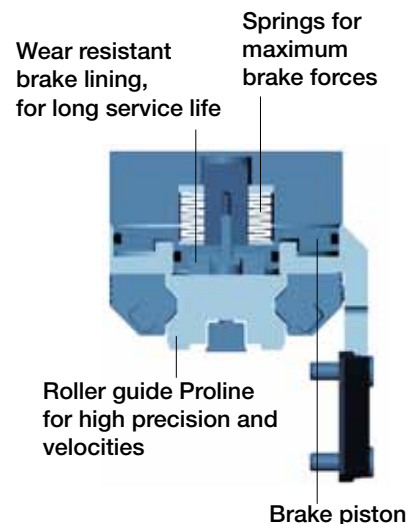
Technical Data

The table shows the maximal permissible loads. If multiple moments and forces act upon the cylinder simultaneously, the following equation applies:

$$\frac{M_x}{M_{x_{max}}} + \frac{M_y}{M_{y_{max}}} + \frac{M_z}{M_{z_{max}}} + \frac{F_y}{F_{y_{max}}} + \frac{F_z}{F_{z_{max}}} \leq 1$$

The sum of the loads should not exceed >1.
 With a load factor of less than 1, service life is 8000 km

Function



The table shows the maximum permissible values for light, shock-free operation, which must not be exceeded even under dynamic conditions.

Operating Pressure 4.5 - 8 bar. A pressure of min. 4.5 bar release the brake.

Series	For linear drive	Max. moments [Nm]			Max. loads [N] Fy, Fz	Max. brake force [N] ¹⁾	Mass of linear drive with guide [kg]		Mass* guide carriage [kg]	Order No. – MB-PL Guide with passive brake without cylinder*
		Mx	My	Mz			with 0mm stroke	increase per 100mm stroke		
MB-PL25	OSP-P25	16	39	39	857	315	2.14	0.40	1.24	20864FIL
MB-PL32	OSP-P32	29	73	73	1171	490	4.08	0.62	2.02	20865FIL
MB-PL40	OSP-P40	57	158	158	2074	715	5.46	0.70	2.82	20866FIL
MB-PL50	OSP-P50	111	249	249	3111	1100	8.60	0.95	4.07	20867FIL

¹⁾ Braking surface dry – oil on the braking surface will reduce the braking force

Linear Drive Accessories

(Mountings and Magnetic Switches)

Series OSP-P



Description

Overview

Clevis Mounting

End Cap Mountings

End Cap Mountings (for Linear Drives with guides)

Mid-Section Support

Mid-Section Support (for Linear Drives with guides)

Inversion Mounting

Adaptor Profile

T-Slot Profile

Connection Profile

Duplex Connection

Multiplex Connection

Magnetic Switch, standard version

Magnetic Switch for T-Nut mounting

Magnetic Switch ATEX-version Ex

Cable Cover

See

Catalogue

P-A4P011GB

Origa - Sensoflex

Displacement measuring system for automated movement

Series SFI-plus
(Incremental measuring system)



Characteristics:

- Contactless magnetic displacement measurement system
- Displacement length up to 32 m
- Resolution 0.1 mm (option: 1 mm)
- Displacement speed up to 7 m/s
- For linear and non-linear rotary motion
- Suitable for almost any control or display unit with a counter input

The SFI-plus magnetic displacement measuring system consists of 2 main components.

- Measuring Scale
Self-adhesive magnetic measuring scale
- Sensing Head
Converts the magnetic poles into electrical signals which are then processed by counter inputs down stream

(e.g. PLC, PC, digital counter)



ORIGA Pneumatic Linear Drives OSP-L

Very long lifetime and lowest leakage



A NEW Modular Linear Drive System

With this second generation linear drive Parker Origa offers design engineers complete flexibility. The well known ORIGA cylinder has been further developed into a combined linear actuator, guidance and control package. It forms the basis for the new, versatile ORIGA SYSTEM PLUS linear drive system.

All additional functions are designed into modular system components which replace the previous series of cylinders.

- Completely modular design
- Compatible with the comprehensive ORIGA OSP system component range
- High loads and moments
- Space saving
- For a wide range of loads, speeds and motion profiles



Introduction – OSP Concept

<p>Basic Linear Drive Standard Version</p> <ul style="list-style-type: none"> • Series OSP-L 		<p>Duplex Connection</p> <ul style="list-style-type: none"> • Series OSP-L 	
<p>Air Connection on the End-face or both at One End</p> <ul style="list-style-type: none"> • Series OSP-L 		<p>Multiplex Connection</p> <ul style="list-style-type: none"> • Series OSP-L 	
<p>Integrated 3/2 Way Valves</p> <ul style="list-style-type: none"> • Series OSP-L 		<p>Linear Guides – SLIDELINE</p> <ul style="list-style-type: none"> • Series OSP-L 	
<p>Clevis Mounting</p> <ul style="list-style-type: none"> • Series OSP-L 		<p>Linear Guides – STARLINE</p> <ul style="list-style-type: none"> • Series OSP-L 	
<p>End Cap Mounting</p> <ul style="list-style-type: none"> • Series OSP-L 		<p>Magnetic Switches</p> <ul style="list-style-type: none"> • Series OSP-L 	
<p>Mid-Section Support</p> <ul style="list-style-type: none"> • Series OSP-L 		<p>Variable Stop VS</p> <ul style="list-style-type: none"> • Series OSP-L with Linear Guide STL 	
<p>Inversion Mounting</p> <ul style="list-style-type: none"> • Series OSP-L 			

Origa System Plus

- Innovation from a proven design

The newly developed product line OSP-L can be simply and neatly integrated into any machine layout.

MOUNTING RAILS ON 3 SIDES

Mounting rails on 3 sides of the cylinder enable modular components such as linear guides, brakes, valves, magnetic switches etc. to be fitted to the cylinder itself. This solves many installation problems, especially where space is limited.

The modular system concept forms an ideal basis for additional customer-specific functions.

Magnetic piston as standard - for contactless position sensing on three sides of the cylinder.

Corrosion resistant steel outer sealing band and robust wiper system on the carrier for use in aggressive environments.

Inner sealing band made of polyurethane for best sealing features and extreme slight friction.

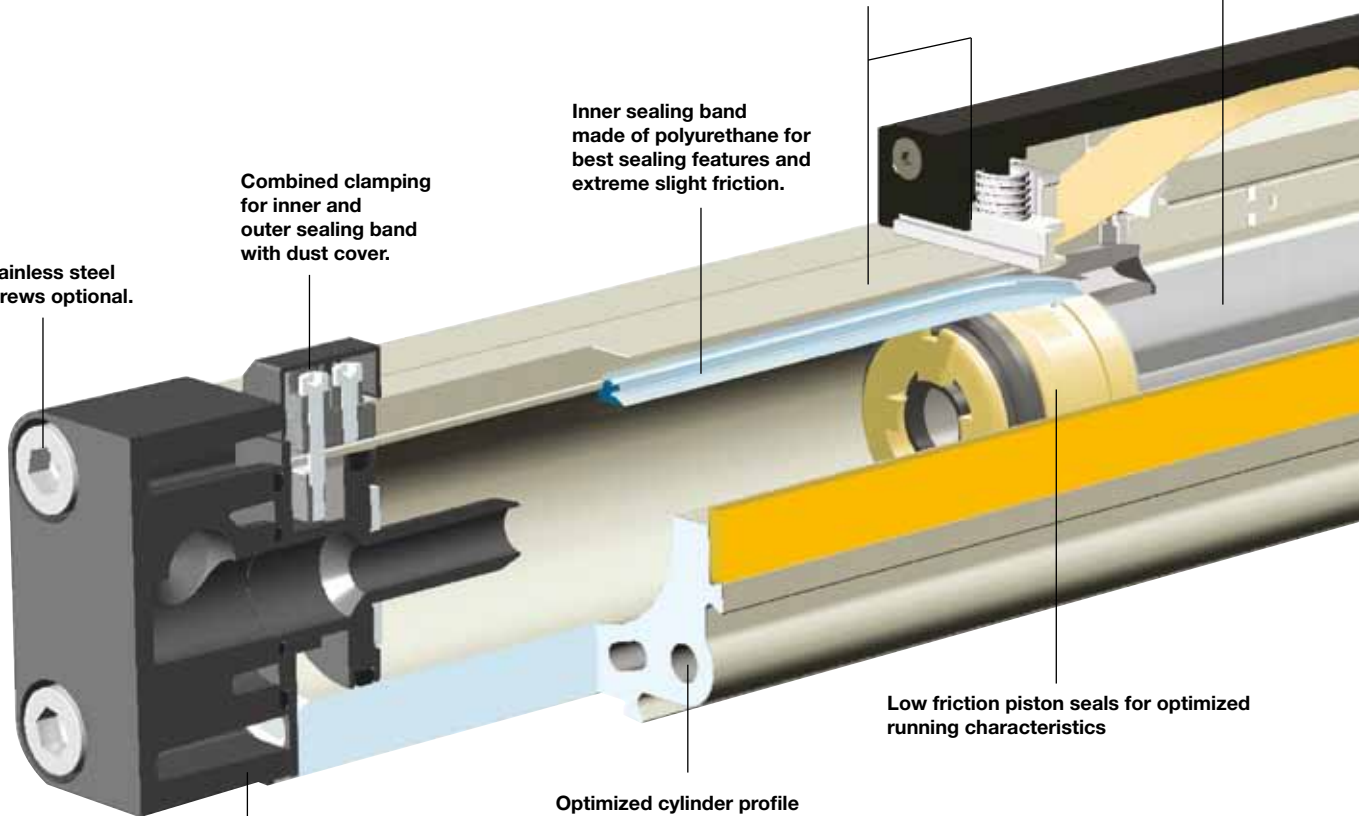
Combined clamping for inner and outer sealing band with dust cover.

Stainless steel screws optional.

Low friction piston seals for optimized running characteristics

End cap can be rotated to any one of the four positions (before or after delivery) so that the air connection can be in any desired position.

Optimized cylinder profile for maximum stiffness and minimum weight. Integral air passages enable both air connections to be positioned at one end, if desired.



SLIDELINE
 Cost-effective
 plain bearing
 guide for medium
 loads.



STARLINE
 Recirculating ball
 bearing guide for
 very high loads
 and precision.



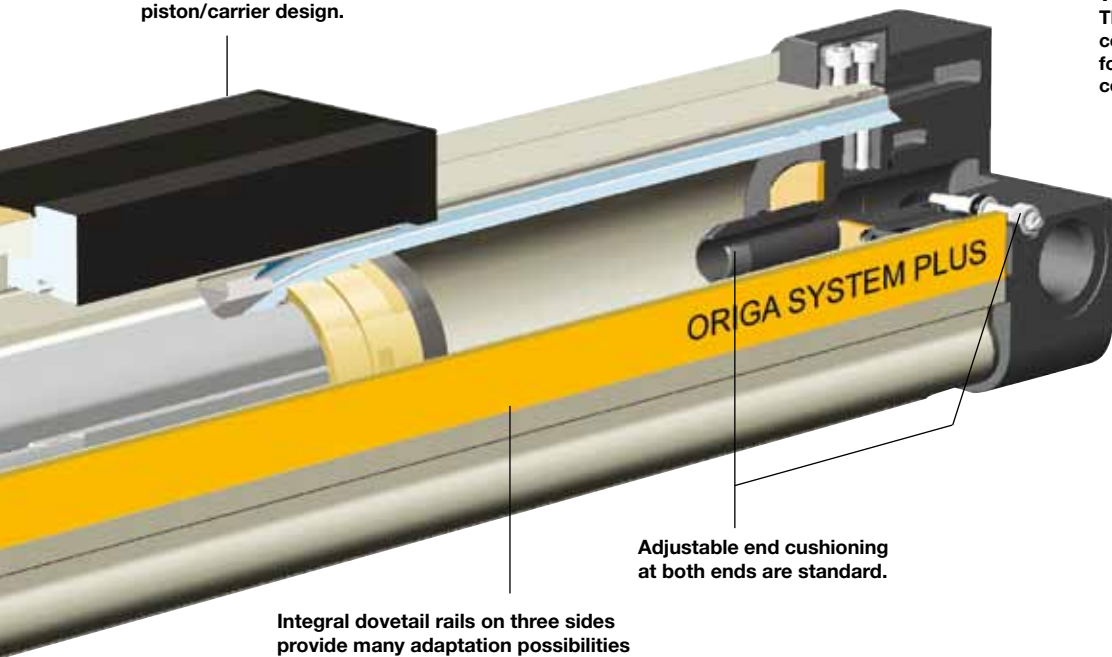
**VARIABLE STOP
 VS**
 The variable stop
 provides simple
 stroke limitation.



**INTEGRATED
 VOE VALVES**
 The complete
 compact solution
 for optimal cylinder
 control.



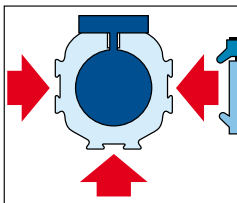
New low profile
 piston/carrier design.



Adjustable end cushioning
 at both ends are standard.

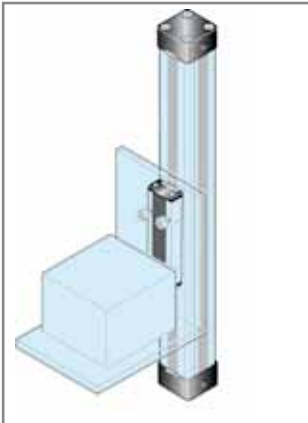
Integral dovetail rails on three sides
 provide many adaptation possibilities
 (linear guides, magnetic switches, etc.)

Modular system components
 are simply clamped on.

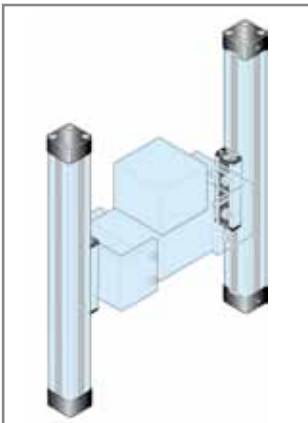


OSP-L Application examples

ORIGA SYSTEM PLUS – rodless linear drives offer maximum flexibility for any application.



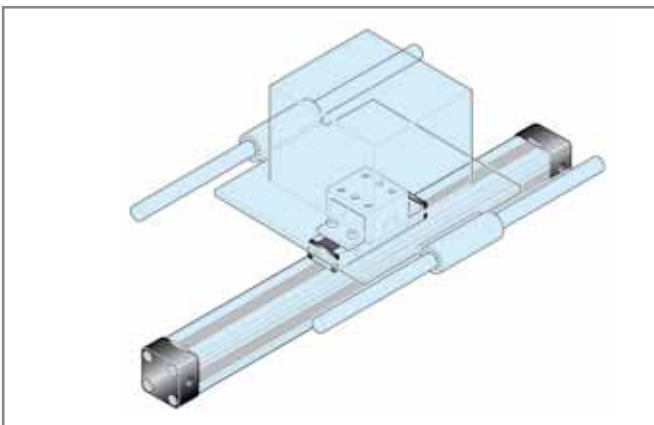
The high load capacity of the piston can cope with high bending moments without additional guides.



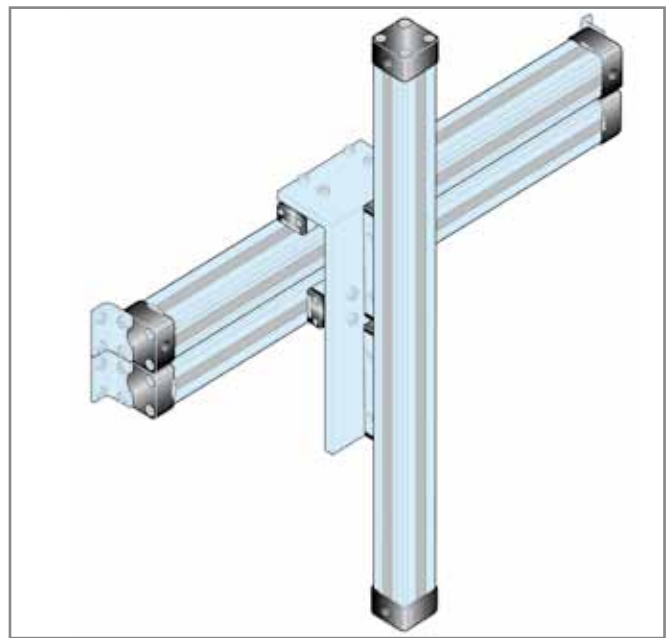
The mechanical design of the OSP-L allows synchronised movement of two cylinders.

Integrated guides offer optimal guidance for applications requiring high performance, easy assembly and maintenance free operation.

Optimal system performance by combining multi-axis cylinder combinations.



When using external guides, the clevis mounting is used to compensate for deviations in parallelism.



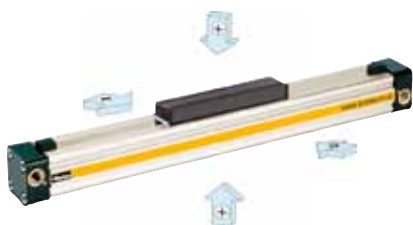
For further information and assembly instructions, please contact your local Parker Origa dealer.

Options and Accessories for system versatility

Series OSP-L

STANDARD VERSIONS OSP-L25 to L63

Standard carrier with integral guidance. End cap can be rotated 4 x 90° to position air connection on any side.
Magnetic piston as standard.
Dovetail profile for mounting of accessories and the cylinder itself.



BASIC CYLINDER OPTIONS

The special design of the linear drive enables all emissions to be led away.

STAINLESS VERSION

For use in constantly damp or wet environments. All screws are A2 quality stainless steel (material no.1.4301 / 1.4303)



END-FACE AIR CONNECTION

To solve special installation problems.



BOTH AIR CONNECTIONS AT ONE END

For simplified tubing connections and space saving.



INTEGRATED VOE VALVES

The complete compact solution for optimal cylinder control.



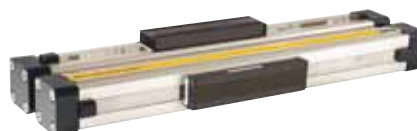
DUPLEX CONNECTION

The duplex connection combines two OSP-L cylinders of the same size into a compact unit with high performance.



MULTIPLEX CONNECTION

The multiplex connection combines two or more OSP-L cylinders of the same size into one unit. The orientation of the carriers can be freely selected.



ACCESSORIES

MAGNETIC SWITCHES TYPE RS, ES, RST, EST

For electrical sensing of end and intermediate piston positions.



MOUNTINGS FOR OSP-L25 TO L63

CLEVIS MOUNTING

Carrier with tolerance and parallelism compensation for driving loads supported by external linear guides.



END CAP MOUNTING

For end-mounting of the cylinder.



MID-SECTION SUPPORT

For supporting long cylinders or mounting the cylinder by its dovetail rails.



INVERSION MOUNTING

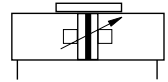
The inversion mounting transfers the driving force to the opposite side, e.g. for dirty environments.



Rodless Pneumatic Cylinder

Ø 25-63 mm

OSP
ORIGA
SYSTEM
PLUS



Standard Versions:

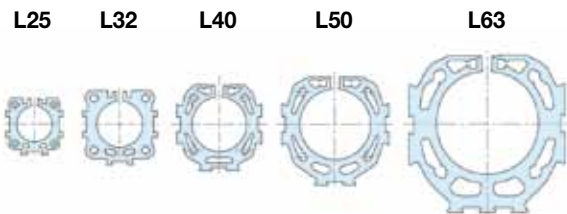
- Double-acting with adjustable end cushioning
- With magnetic piston for position sensing



Special Versions:

- Stainless steel screws
- Both air connections on one end
- Air connection on the end-face
- Integrated Valves VOE
- End cap can be rotated 4 x 90° to position air connection as desired
- Free choice of stroke length up to 6000 mm

Size Comparison



Characteristics	Description
General Features	
Type	Rodless cylinder
Series	OSP-L
System	Double-acting, with cushioning, position sensing capability
Mounting	See drawings
Air Connection	Threaded
Ambient temperature range	-20 °C Other temperature ranges +80 °C on request
Installation	In any position
Medium	Filtered, unlubricated compressed air (other media on request)
Lubrication	Permanent grease lubrication (additional oil mist lubrication not required)
Material	
Cylinder Profile	Anodized aluminium
Carrier (piston)	Anodized aluminium
End caps	Aluminium, lacquered
Sealing bands	Corrosion resistant steel (outer band)
Polyurethane (inner band)	
Seals	Polyurethane, NBR
Screws	Galvanized steel Option: stainless steel
Dust covers, wipers	Plastic
Max. operating pressure p_{max}	8 bar

Loads, Forces and Moments

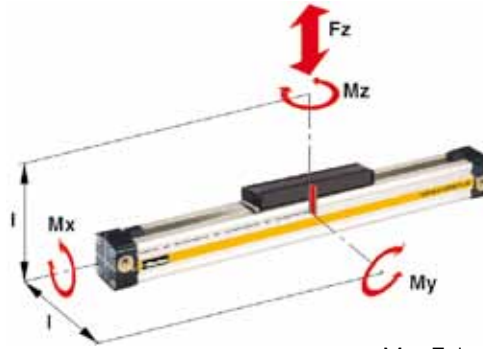
Choice of cylinder is decided by:

- Permissible loads, forces and moments
- Performance of the pneumatic end cushions.

The main factors here are the mass to be cushioned and the piston speed at start of cushioning (unless external cushioning is used, e. g. hydraulic shock absorbers).

The adjacent table shows the maximum values for light, shock-free operation, which must not be exceeded even in dynamic operation. Load and moment data are based on speeds $v \leq 0.5$ m/s.

When working out the action force required, it is essential to take into account the friction forces generated by the specific application or load.

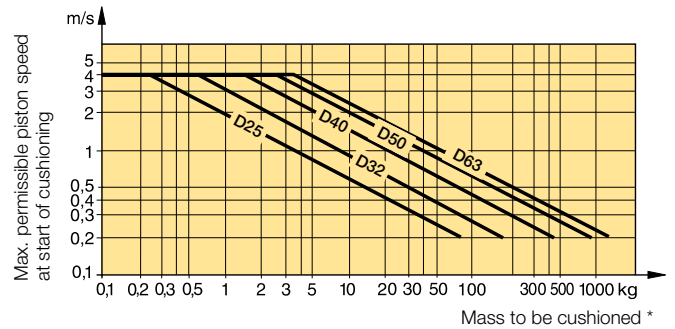


$M = F \cdot l$
Bending moments are calculated from the centre of the linear actuator

Cylinder-Series [mm Ø]	Theoretical Action Force at 6 bar [N]	effektive Action Force F_A at 6 bar [N]	max. Moments			max. Load F [N]	Cushion Length [mm]
			M_x [Nm]	M_y [Nm]	M_z [Nm]		
OSP-L25	295	250	1.5	15	3	300	17
OSP-L32	483	420	3	30	5	450	20
OSP-L40	754	640	6	60	8	750	27
OSP-L50	in progress						
OSP-L63	in progress						

Cushioning Diagram

Work out your expected moving mass and read off the maximum permissible speed at start of cushioning. Alternatively, take your desired speed and expected mass and find the cylinder size required. Please note that piston speed at start of cushioning is typically ca. 50 % higher than the average speed, and that it is this higher speed which determines the choice of cylinder. If these maximum permissible values are exceeded, additional shock absorbers must be used.



* For cylinders with linear guides or brakes, please be sure to take the mass of the carriage or the brake housing into account.

Weight (mass) kg

Cylinder series (Basic cylinder)	Weight (Mass) kg	
	At 0 mm stroke	per 100 mm stroke
OSP-L25	0.65	0.197
OSP-L32	1.44	0.354
OSP-L40	1.95	0.415
OSP-L50	in progress	
OSP-L63	in progress	

Integrated 3/2 Way Valves

VOE

Series OSP-L25, L32, L40 and L50

For optimal control of the OSP-L cylinder, 3/2 way valves integrated into the cylinder's end caps can be used as a compact and complete solution. They allow for easy positioning of the cylinder, smooth operation at the lowest speeds and fast response, making them ideally suited for the direct control of production and automation processes.

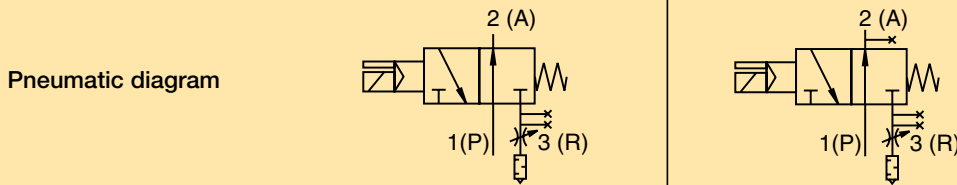


Features:

- Complete compact solution
- Various connection possibilities:
Free choice of air connection with rotating end caps with VOE valves, Air connection can be rotated 4 x 90°
- Solenoid can be rotated 4 x 90°,
- Pilot valve can be rotated 180°
- High piston velocities can be achieved with max. 3 exhaust ports
- Minimal installation requirements
- Requires just one air connection per valve
- Optimal control of the OSP-L cylinder
- Excellent positioning characteristics
- Integrated operation indicator
- Integrated exhaust throttle valve
- Manual override - indexed
- Adjustable end cushioning
- Easily retrofitted – please note the increase in the overall length of the cylinder!

Characteristics 3/2 Way Valves VOE

Characteristics 3/2 Way Valves with spring return



Type	VOE-25	VOE-32	VOE-40	VOE-50
Actuation	electrical			
Basic position	P → A open, R closed			
Type	Poppet valve, non overlapping			
Mounting	integrated in end cap			
Installation	in any position			
Port size	G 1/8	G 1/4	G 3/8	G 3/8
Temperature	-10°C to +50°C *			
Operating pressure	2-8 bar			
Nominal voltage	24 V DC / 230 V AC, 50 Hz			
Power consumption	2,5 W / 6 VA			
Duty cycle	100%			
Electrical Protection	IP 65 DIN 40050			

* other temperature ranges on request

Options

1-4	5+6	7	8	9	10	11	12-16	17	18	19	20	21	22	23	24	25
OSPL	25	0	0	0	0	0	01100	0	0	0	0	0	0	0	0	0

Piston-Ø	Stroke in mm (5 digits)	Piston Mounting	add. Guide Carriage	Measuring system
25		0 without	0 without	0 without
32		1 clevis mounting		
40				
in progress				
in progress				

Screws	Cushioning	Version / Piston	Lubrication	End cap position	Guides/ Brakes/ Inversion	Cover/ Cable Channel
0 standard	0 standard	0 standard	0 standard	0 l+r0° = in front	0 without	0 standard
1 Stainless	1 max. length	1 Tandem		1 l+r90° = underneath	M Inversion Ø 16-80	1 Cable channel
				2 l+r180° = at the back	N Duplex Ø 25,32,40,50	2 Cable channel two-sided

Air Connection	Seals
0 standard	0 standard
1 end face	
2 both at one end	
3 left standard right end face	
4 right standard left end face	
A 3/2 Way valve VOE 24 V = Ø 25,32,40,50	
B 3/2 Way valve VOE 230 V~/110 V= Ø 25,32,40,50	
C 3/2 Way valve VOE 48 V = Ø 25,32,40,50	
E 3/2 Way valve VOE 110 V~ Ø 25,32,40,50	

End cap position
3 l+r270° = same side as outerband
4 l90° = underneath; r0° = in front
5 l180° = at the back; r0° = in front
6 l270° = same side as outerband; r0° = in front
7 l0° = in front; r90° = underneath
8 l180° = at the back; r90° = underneath
9 l270° = same side as outerband; r90° = underneath
A l0° = in front; r180° = at the back
B l90° = underneath; r180° = at the back
C l270° = same side as outerband; r180° = at the back
D l0° = in front; r270° = same side as outerband
E l90° = underneath; r270° = same side as outerband
F l180° = at the back; r270° = same side as outerband

End cap position (air connection)

270° same side as outerband

180° at the back

end-face

0° in front

90° underneath

Cylinder R (right end side)

180° at the back

270° same side as outerband

end-face

0° in front

90° underneath

Cylinder L (left end side)

Plain Bearing Guide

SLIDELINE

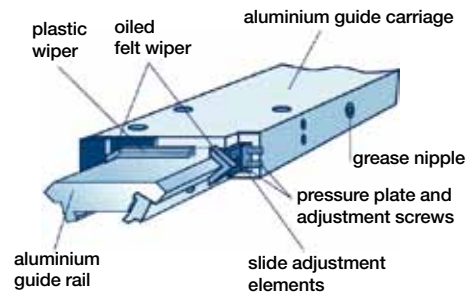
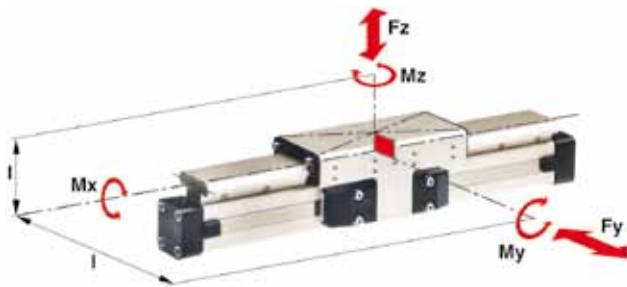
Series SL 25 to 63 for Linear Drive



Features:

- Anodised aluminium guide rail with prism-shaped slideway arrangement
- Adjustable plastic slide elements
- Composite sealing system with plastic and felt wiper elements to remove dirt and lubricate the slideways
- Corrosion resistant version available on request
- Any length of stroke up to 5500 mm (longer strokes on request)

Loads, Forces and Moments



Technical Data

The table shows the maximum permissible values for smooth operation, which should not be exceeded even under dynamic conditions.

The load and moment figures apply to speeds $v < 0.2$ m/s.

*** Please note:**

In the cushioning diagram, add the mass of the guide carriage to the mass to be cushioned.

Series	For linear drive		Max. moments [Nm]			Max. loads [N]	Maximum braking force at 6 bar [N] ¹⁾ with 0 mm stroke	Mass of linear drive with guide [kg]		Mass* of guide carriage [kg]	Order No. SLIDELINE ²⁾ Guide without cylinder
	Mx	My	Mz	Fy, Fz	increase per 100 mm stroke						
SL 25	OSP-L25	14	34	34	675	325	1.55	0.39	0.61	20342FIL	
SL 32	OSP-L32	29	60	60	925	545	2.98	0.65	0.95	20196FIL	
SL 40	OSP-L40	50	110	110	1500	835	4.05	0.78	1.22	20343FIL	
SL50	OSP-L50						in progress				
SL63	OSP-L63						in progress				

¹⁾ Only with integrated brake: Braking force on dry oil-free surface Values are decreased for lubricated slideways

²⁾ Corrosion resistant fixtures available on request

Options

1-4	5+6	7	8	9	10	11	12-16	17	18	19	20	21	22	23	24	25
OSPL	25	0	0	0	0	0	01100	0	0	0	0	0	0	0	0	0

Piston-Ø

25
32
40
in progress
in progress

Stroke

in mm
(5 digits)

Piston Mounting

0	without
---	---------

Measuring system

0	without
---	---------

Screws

0	standard
1	Stainless

Cushioning

0	standard
---	----------

Version / Piston

0	standard
1	Tandem

Lubrication

0	standard
---	----------

End cap position

0	l+r 0° = in front
1	l+r 90° = underneath
2	l+r 180° = at the back
3	l+r 270° = same side as outerband
4	l 90° = underneath; r 0° = in front
5	l 180° = at the back; r 0° = in front
6	l 270° = same side as outerband; r 0° = in front
7	l 0° = in front; r 90° = underneath
8	l 180° = at the back; r 90° = underneath
9	l 270° = same side as outerband; r 90° = underneath
A	l 0° = in front; r 180° = at the back
B	l 90° = underneath; r 180° = at the back
C	l 270° = same side as outerband; r 180° = at the back
D	l 0° = in front; r 270° = same side as outerband
E	l 90° = underneath; r 270° = same side as outerband
F	l 180° = at the back; r 270° = same side as outerband

Guides/ Brakes/ Inversion

0	without
2	Slideline SL Ø 25-63

Cover / Cable Channel

0	standard
1	Cable channel
2	Cable channel two-sided

Air Connection

0	standard
1	end face
2	both at one end
3	left standard right end face
4	right standard left end face
A	3/2 Way valve VOE 24 V = Ø 25,32,40,50
B	3/2 Way valve VOE 230 V~/110 V= Ø 25,32,40,50
C	3/2 Way valve VOE 48 V = Ø 25,32,40,50
E	3/2 Way valve VOE 110 V~ Ø 25,32,40,50

Seals

0	standard
---	----------

add. Guide Carriage

0	without
2	Guide Carriage Slideline SL Ø 25-63

End cap position (air connection)

270° same side as outerband
 180° at the back
 end-face
 0° in front
 90° underneath
 Cylinder R (right end side)
 Cylinder L (left end side)

Recirculating Ball Bearing Guide STARLINE Series STL 16 to 50 for Linear Drive

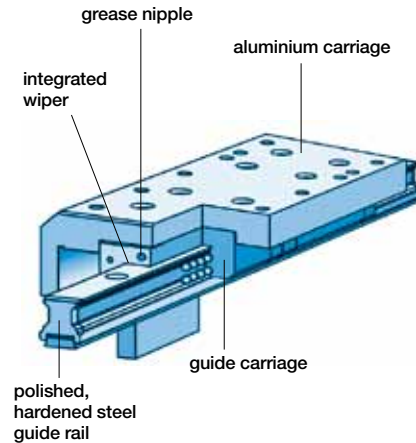
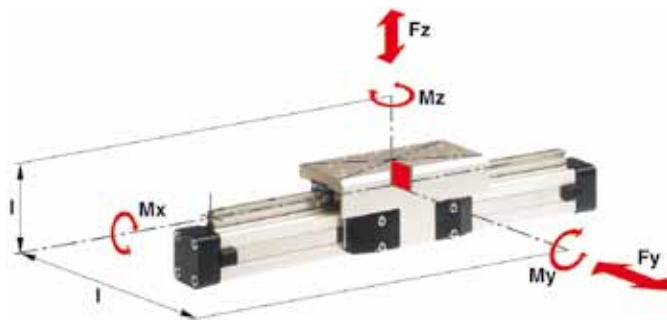


Features:

- Polished and hardened steel guide rail
- For very high loads in all directions
- High precision
- Integrated wiper system
- Integrated grease nipples
- Any length of stroke up to 3700 mm
- Anodized aluminium guide carriage – dimensions compatible with OSP guides SLIDELINE
- Installation height (STL25 - 32) compatible with OSP-L guides SLIDELINE

- Maximum speed
STL25 to 50: v = 5 m/s

Loads, Forces and Moments



Technical Data

The table shows the maximal permissible loads. If multiple moments and forces act upon the cylinder simultaneously, the following equation applies:

$$\frac{M_x}{M_{x_{max}}} + \frac{M_y}{M_{y_{max}}} + \frac{M_z}{M_{z_{max}}} + \frac{F_y}{F_{y_{max}}} + \frac{F_z}{F_{z_{max}}} \leq 1$$

The sum of the loads should not exceed >1.

The table shows the maximum permissible values for light, shock-free operation, which must not be exceeded even under dynamic conditions.

*** Please note:**

The mass of the carriage has to be added to the total moving mass when using the cushioning diagram

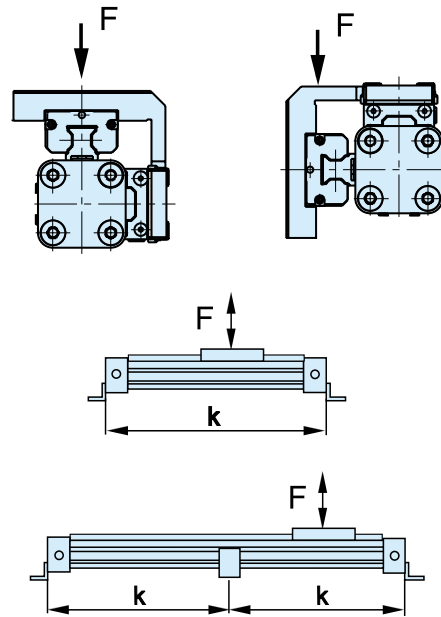
Series	For linear drive	Max. moments [Nm]			Max. loads [N]		Mass of linear drive with guide [kg]		Mass** guide carriage [kg]	Order No. STARLINE Guide without cylinder
		Mx	My	Mz	Fy	Fz	with 0 mm stroke	increase per 100 mm stroke		
STL25	OSP-L25	50	110	110	3100	3100	1.733	0.369	0.835	21112FIL
STL32	OSP-L32	62	160	160	3100	3100	2.934	0.526	1.181	21113FIL
STL40	OSP-L40	150	400	400	4000	7500	4.452	0.701	1.901	21114FIL
STL50	OSP-L50	in progress								

Mid-Section Support

Mid-section supports are required from a certain stroke length to prevent excessive deflection and vibration of the linear drive. The diagrams show the maximum permissible unsupported length in relation to loading. A distinction must be drawn between loading 1 and loading 2. Deflection of 0.5 mm max. between supports is permissible.

**Loading 1
 Top carrier**

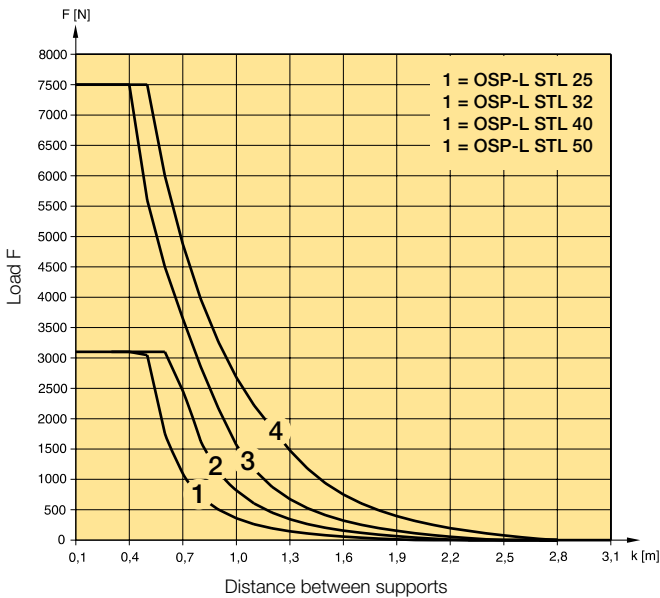
**Loading 2
 Side carrier**



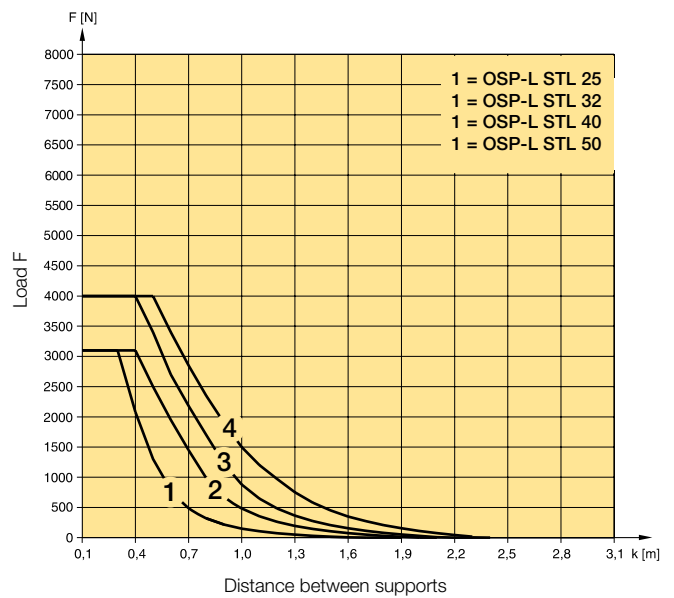
Permissible Unsupported Length STL25 to STL50

Permissible Unsupported Length STL25 to STL50

Loading 1 – Top carrier



Loading 2 – Side carrier



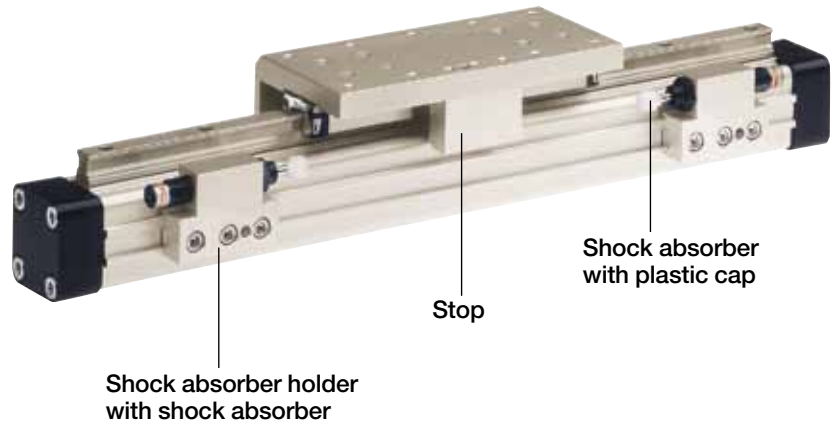
Note:

For speeds $v > 0.5$ m/s the distance between supports should not exceed 1 m.

Variable Stop

Type VS25 to VS50

Arrangement with two variable stops



The variable stop Type VS provides simple stroke limitation. It can be retrofitted and positioned anywhere along the stroke length. For every cylinder diameter two types of shock absorber are available – see „Shock Absorber Selection“ below.

Mid-section supports and magnetic switches can still be fitted on the same side as the variable stop.

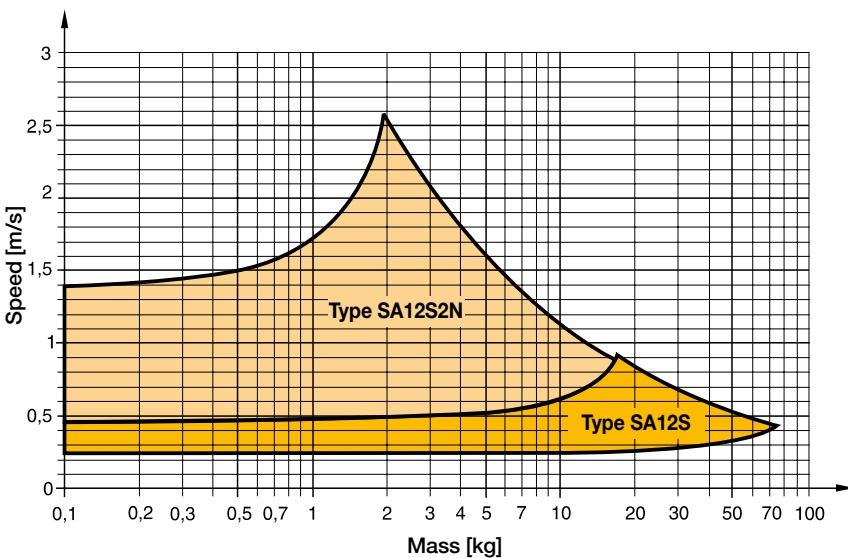
Depending on the application, two variable stops can be fitted if required.

Shock Absorber Selection

The shock absorber is selected in dependence on the mass and speed.

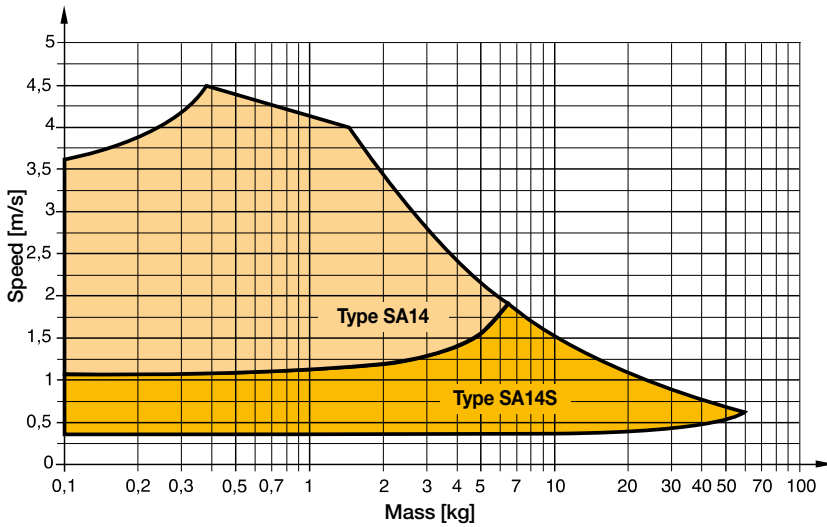
The mass of the carrier itself must be taken into account.

Shock Absorber Selection in Dependence on Mass and Speed for Series OSP-L-STL25



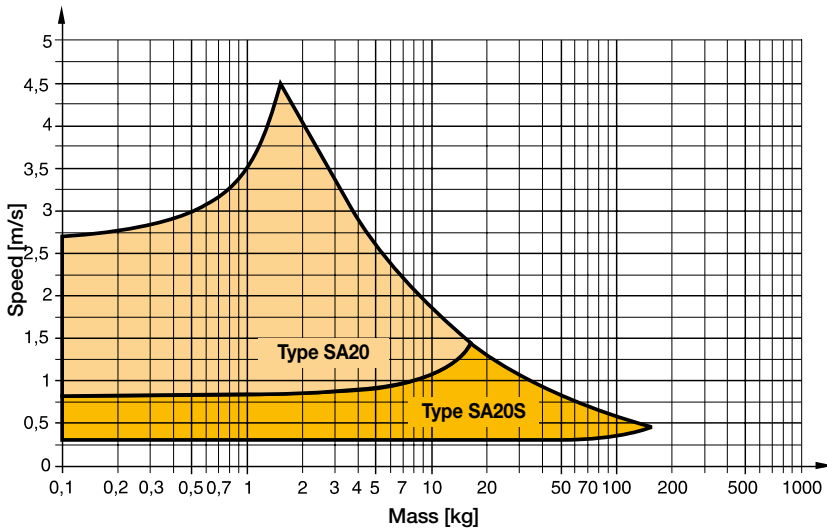
The values relate to an effective driving force of 250 N (6 bar)

Shock Absorber Selection in Dependence on Mass and Speed for Series OSP-L-STL32



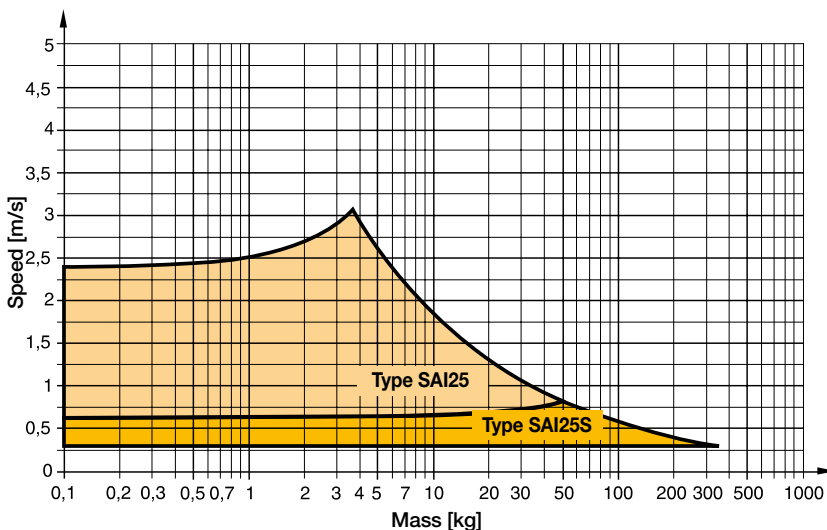
The values relate to an effective driving force of 420 N (6 bar)

Shock Absorber Selection in Dependence on Mass and Speed for Series OSP-L-STL40



The values relate to an effective driving force of 640 N (6 bar)

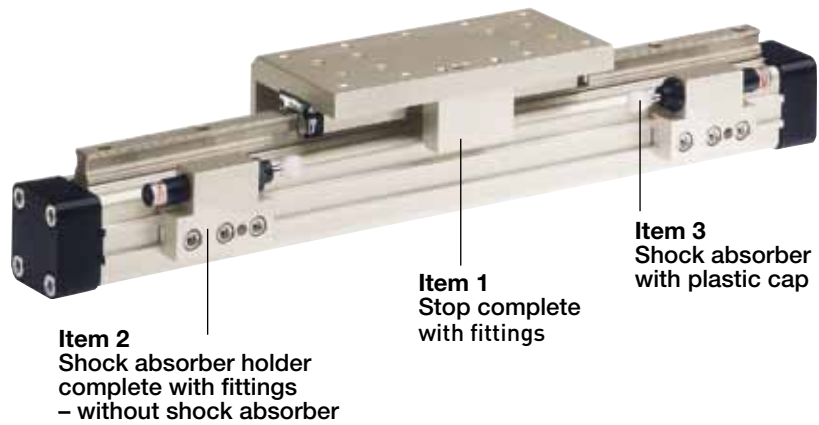
Shock Absorber Selection in Dependence on Mass and Speed for Series OSP-L-STL50



The values relate to an effective driving force of 1000 N (6 bar)

Variable Stop

Type VS25 to VS50



Order Instructions – Variable Stop Type VS25 to VS50

without cylinder and
without guide

Item	Description	Size							
		VS25		VS32		VS40		VS50	
		Type	Order-No.	Type	Order-No.	Type	Order-No.	Type	Order-No.
1	Stop, complete	-	21197FIL	-	21198FIL	-	21199FIL		
2	Shock absorber holder complete	-	21202FIL	-	21203FIL	-	21204FIL	in progress	
3*	Shock absorber, soft	SA12S2N	7723FIL	SA14	7708FIL	SA20	7710FIL		
	Shock absorber, hard	SA12S	7707FIL	SA14S	7709FIL	SA20S	7711FIL		

* Shock absorber with plastic cap

Options - STARLINE

1-4	5+6	7	8	9	10	11	12-16	17	18	19	20	21	22	23	24	25
OSPL	25	0	0	0	0	0	01100	0	0	0	0	0	0	0	0	0

<table border="1" style="width:100%; border-collapse: collapse;"> <tr><td>Piston-Ø</td></tr> <tr><td>25</td></tr> <tr><td>32</td></tr> <tr><td>40</td></tr> <tr><td>in progress</td></tr> </table> <table border="1" style="width:100%; border-collapse: collapse;"> <tr><td>Version / Piston</td></tr> <tr><td>0 standard</td></tr> <tr><td>1 Tandem</td></tr> </table> <table border="1" style="width:100%; border-collapse: collapse;"> <tr><td>Air Connection</td></tr> <tr><td>0 standard</td></tr> <tr><td>1 end face</td></tr> <tr><td>2 both at one end</td></tr> <tr><td>3 left standard right end face</td></tr> <tr><td>4 right standard left end face</td></tr> <tr><td>A 3/2 Way valve VOE 24 V = Ø 25,32,40,50</td></tr> <tr><td>B 3/2 Way valve VOE 230 V- / 110 V = Ø 25,32,40,50</td></tr> <tr><td>C 3/2 Way valve VOE 48 V = Ø 25,32,40,50</td></tr> <tr><td>E 3/2 Way valve VOE 110 V- Ø 25,32,40,50</td></tr> </table>	Piston-Ø	25	32	40	in progress	Version / Piston	0 standard	1 Tandem	Air Connection	0 standard	1 end face	2 both at one end	3 left standard right end face	4 right standard left end face	A 3/2 Way valve VOE 24 V = Ø 25,32,40,50	B 3/2 Way valve VOE 230 V- / 110 V = Ø 25,32,40,50	C 3/2 Way valve VOE 48 V = Ø 25,32,40,50	E 3/2 Way valve VOE 110 V- Ø 25,32,40,50	<table border="1" style="width:100%; border-collapse: collapse;"> <tr><td>Stroke</td></tr> <tr><td>in mm (5 digits)</td></tr> </table> <table border="1" style="width:100%; border-collapse: collapse;"> <tr><td>Screws</td></tr> <tr><td>0 standard</td></tr> </table> <table border="1" style="width:100%; border-collapse: collapse;"> <tr><td>Lubrication</td></tr> <tr><td>0 standard</td></tr> </table> <table border="1" style="width:100%; border-collapse: collapse;"> <tr><td>Seals</td></tr> <tr><td>0 standard</td></tr> </table> <table border="1" style="width:100%; border-collapse: collapse;"> <tr><td>End cap position</td></tr> <tr><td>0 l+r 0° = in front</td></tr> <tr><td>1 l+r 90° = underneath</td></tr> <tr><td>2 l+r 180° = at the back</td></tr> <tr><td>3 l+r 270° = same side as outerband</td></tr> <tr><td>4 l 90° = underneath; r 0° = in front</td></tr> <tr><td>5 l 180° = at the back; r 0° = in front</td></tr> <tr><td>6 l 270° = same side as outerband; r 0° = in front</td></tr> <tr><td>7 l 0° = in front; r 90° = underneath</td></tr> <tr><td>8 l 180° = at the back; r 90° = underneath</td></tr> <tr><td>9 l 270° = same side as outerband; r 90° = underneath</td></tr> <tr><td>A l 0° = in front; r 180° = at the back</td></tr> <tr><td>B l 90° = underneath; r 180° = at the back</td></tr> <tr><td>C l 270° = same side as outerband; r 180° = at the back</td></tr> <tr><td>D l 0° = in front; r 270° = same side as outerband</td></tr> <tr><td>E l 90° = underneath; r 270° = same side as outerband</td></tr> <tr><td>F l 180° = at the back; r 270° = same side as outerband</td></tr> </table>	Stroke	in mm (5 digits)	Screws	0 standard	Lubrication	0 standard	Seals	0 standard	End cap position	0 l+r 0° = in front	1 l+r 90° = underneath	2 l+r 180° = at the back	3 l+r 270° = same side as outerband	4 l 90° = underneath; r 0° = in front	5 l 180° = at the back; r 0° = in front	6 l 270° = same side as outerband; r 0° = in front	7 l 0° = in front; r 90° = underneath	8 l 180° = at the back; r 90° = underneath	9 l 270° = same side as outerband; r 90° = underneath	A l 0° = in front; r 180° = at the back	B l 90° = underneath; r 180° = at the back	C l 270° = same side as outerband; r 180° = at the back	D l 0° = in front; r 270° = same side as outerband	E l 90° = underneath; r 270° = same side as outerband	F l 180° = at the back; r 270° = same side as outerband	<table border="1" style="width:100%; border-collapse: collapse;"> <tr><td>Piston Mounting</td></tr> <tr><td>0 without</td></tr> </table> <table border="1" style="width:100%; border-collapse: collapse;"> <tr><td>Cushioning</td></tr> <tr><td>0 standard</td></tr> <tr><td>1 max. length</td></tr> <tr><td>2 variable stop complete VS soft left for Starline</td></tr> <tr><td>3 variable stop complete VS hard left for Starline,</td></tr> <tr><td>4 variable stop complete VS soft right for Starline</td></tr> <tr><td>5 variable stop complete VS hard right for Starline</td></tr> <tr><td>6 variable stop complete VS soft both sides for Starline</td></tr> <tr><td>7 variable stop complete VS hard both sides for Starline</td></tr> </table> <table border="1" style="width:100%; border-collapse: collapse;"> <tr><td>Guides/ Brakes/ Inversion</td></tr> <tr><td>0 without</td></tr> <tr><td>B Starline STL</td></tr> </table> <table border="1" style="width:100%; border-collapse: collapse;"> <tr><td>add. Guide Carriage</td></tr> <tr><td>0 without</td></tr> <tr><td>B Guide Carriage Starline STL</td></tr> </table>	Piston Mounting	0 without	Cushioning	0 standard	1 max. length	2 variable stop complete VS soft left for Starline	3 variable stop complete VS hard left for Starline,	4 variable stop complete VS soft right for Starline	5 variable stop complete VS hard right for Starline	6 variable stop complete VS soft both sides for Starline	7 variable stop complete VS hard both sides for Starline	Guides/ Brakes/ Inversion	0 without	B Starline STL	add. Guide Carriage	0 without	B Guide Carriage Starline STL	<table border="1" style="width:100%; border-collapse: collapse;"> <tr><td>Measuring system</td></tr> <tr><td>0 without</td></tr> </table> <table border="1" style="width:100%; border-collapse: collapse;"> <tr><td>Cover / Cable Channel</td></tr> <tr><td>0 standard</td></tr> <tr><td>1 Cable channel</td></tr> <tr><td>2 Cable channel two-sided</td></tr> </table>	Measuring system	0 without	Cover / Cable Channel	0 standard	1 Cable channel	2 Cable channel two-sided
Piston-Ø																																																																					
25																																																																					
32																																																																					
40																																																																					
in progress																																																																					
Version / Piston																																																																					
0 standard																																																																					
1 Tandem																																																																					
Air Connection																																																																					
0 standard																																																																					
1 end face																																																																					
2 both at one end																																																																					
3 left standard right end face																																																																					
4 right standard left end face																																																																					
A 3/2 Way valve VOE 24 V = Ø 25,32,40,50																																																																					
B 3/2 Way valve VOE 230 V- / 110 V = Ø 25,32,40,50																																																																					
C 3/2 Way valve VOE 48 V = Ø 25,32,40,50																																																																					
E 3/2 Way valve VOE 110 V- Ø 25,32,40,50																																																																					
Stroke																																																																					
in mm (5 digits)																																																																					
Screws																																																																					
0 standard																																																																					
Lubrication																																																																					
0 standard																																																																					
Seals																																																																					
0 standard																																																																					
End cap position																																																																					
0 l+r 0° = in front																																																																					
1 l+r 90° = underneath																																																																					
2 l+r 180° = at the back																																																																					
3 l+r 270° = same side as outerband																																																																					
4 l 90° = underneath; r 0° = in front																																																																					
5 l 180° = at the back; r 0° = in front																																																																					
6 l 270° = same side as outerband; r 0° = in front																																																																					
7 l 0° = in front; r 90° = underneath																																																																					
8 l 180° = at the back; r 90° = underneath																																																																					
9 l 270° = same side as outerband; r 90° = underneath																																																																					
A l 0° = in front; r 180° = at the back																																																																					
B l 90° = underneath; r 180° = at the back																																																																					
C l 270° = same side as outerband; r 180° = at the back																																																																					
D l 0° = in front; r 270° = same side as outerband																																																																					
E l 90° = underneath; r 270° = same side as outerband																																																																					
F l 180° = at the back; r 270° = same side as outerband																																																																					
Piston Mounting																																																																					
0 without																																																																					
Cushioning																																																																					
0 standard																																																																					
1 max. length																																																																					
2 variable stop complete VS soft left for Starline																																																																					
3 variable stop complete VS hard left for Starline,																																																																					
4 variable stop complete VS soft right for Starline																																																																					
5 variable stop complete VS hard right for Starline																																																																					
6 variable stop complete VS soft both sides for Starline																																																																					
7 variable stop complete VS hard both sides for Starline																																																																					
Guides/ Brakes/ Inversion																																																																					
0 without																																																																					
B Starline STL																																																																					
add. Guide Carriage																																																																					
0 without																																																																					
B Guide Carriage Starline STL																																																																					
Measuring system																																																																					
0 without																																																																					
Cover / Cable Channel																																																																					
0 standard																																																																					
1 Cable channel																																																																					
2 Cable channel two-sided																																																																					

End cap position (air connection)

270° same side as outerband
 180° at the back
 end-face
 0° in front
 90° underneath

Cylinder L
(left end side)

Cylinder R
(right end side)



Magnetically coupled pneumatic cylinder P1Z ...

No leakage, with high magnetic
coupling force



The P1Z is a rodless pneumatic cylinder with piston and carriage equipped with ring magnets.

Motion is transmitted via the magnetic force locking between the piston and the carriage.

The guided version consists of a carriage fitted with 4 plain bearings, guided on 2 guide rods the design provides high rigidity, accurate guidance and a non rotating movement.

- Double acting with guide
- Magnetically coupled without mechanical connection
- Mechanical protection in case of occasional overload due to magnetic uncoupling
- Piston chamber and Slide are pressure tight
- Pressure tight and leak free system
- With adjustable pneumatic end cushioning on both sides
- Carriage is free to rotate 360° around the cylinder axis
- Air connection at one end (option)
- Position sensing: Al-profile rail for magnetic switches (option). Magnetic switches available as reed switches or as electronic sensors (option).
- Various mounting arrangements

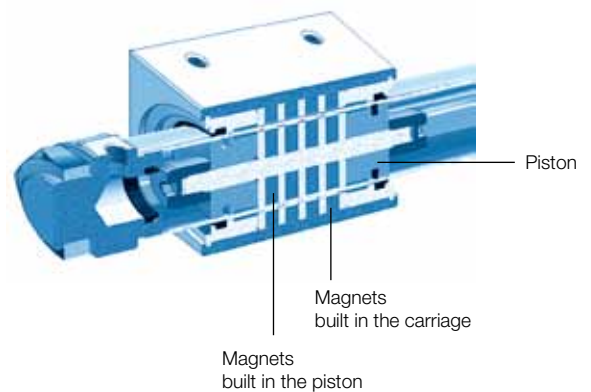
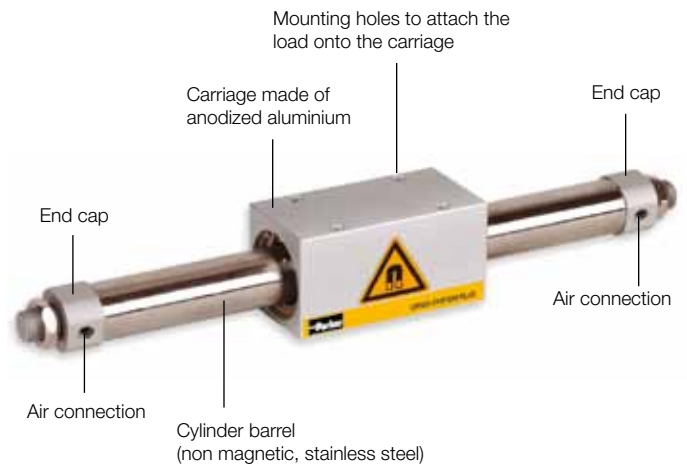
P1Z Series - Basic Version

Ø 16-40 mm

The P1Z is a rodless pneumatic cylinder. The piston and the carriage are equipped with ring magnets. The motion is transmitted via the magnetic force locking between the piston and the carriage.

Features:

- Double acting
- Magnetically coupled without mechanical connection
- Mechanical protection in case of occasional overload due to magnetic uncoupling
- Piston chamber and carriage are pressure tight
- Pressure tight and leak free system
- Dirt and dust cannot enter
- With adjustable pneumatic end cushioning on both sides
- Carriage is free to rotate 360° around the cylinder axis
- Various mounting arrangements



Mounting and Technical Data Basic Version

- The loads can be fitted onto the carriage by 4 tapped holes.
- The cylinder is mounted at the end caps with hexagonal nuts, flange or foot mountings.

Materials

Cylinder barrel	Stainless steel
Carriage	Al, anodised
End cap	Al, anodised
Seals	NBR



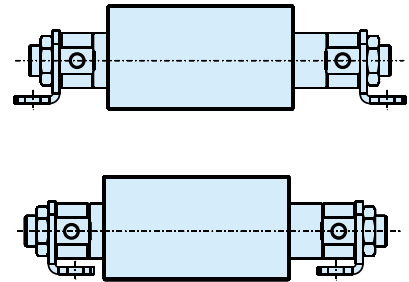
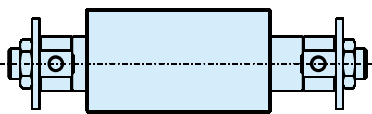
With 2 hexagonal nuts to fix the cylinder (included in scope of delivery)



Flange mounting (pair) option



Foot mounting (pair) option



Technical Data

Piston diameter Ø [mm]	16	20	25	32	40
Max. stroke length [mm]	1000	1500	2000	2000	2000
Stroke tolerance [mm] up to 1000 mm	0/+1.5				
Stroke tolerance [mm] > 1000 mm	0/+2				
Temperature range [°C]	0 to 60				
Operating medium	Filtered compressed air, dry, lubricated or unlubricated * (other media on request)				
Air supply port size	M5	G1/8	G1/8	G1/8	G1/4
Max. magnetic coupling force [N]	157	236	383	703	942
Velocity range [m/s]	0.1 to 1.3				
Min. operating pressure [bar]	1.8				
Max. operating pressure [bar]	6.5	7			
Cushion length [mm]	9	15	15	12	19
Weight [kg]					
at 0 mm stroke	0.28	0.46	0.83	1.35	2.01
per 100 mm stroke	0.043	0.082	0.088	0.14	0.16

* if external lubrication is added, this must always be continued.

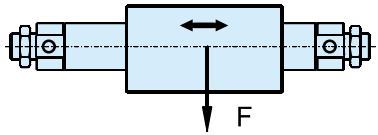
Loads, forces and moments Basic Version

If the operating conditions are outside of the permissible values, either the P1Z guided version or the P1Z in combination with an external guide should be used !

Forces [N]

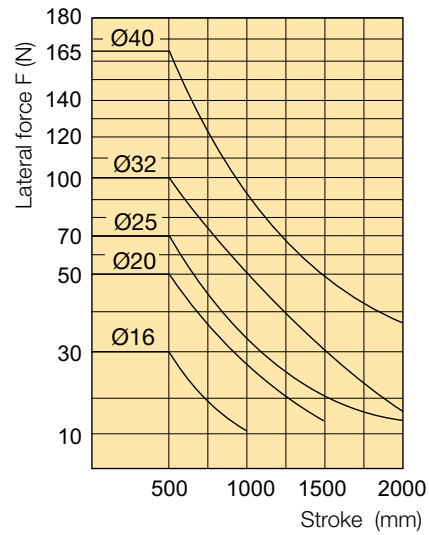
Piston (mm)	16	20	25	32	40
Theoretical force at 6 bar [N]	120	188	295	483	754
Max. magnetic coupling force [N]	157	236	383	703	942

Permissible lateral force, depending on the stroke length

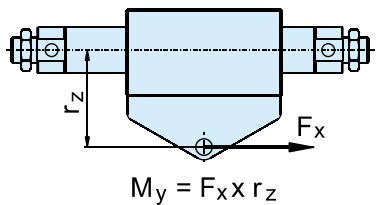


Ø (mm)	Permissible lateral force F [N]
16	30.0
20	50.0
25	70.0
32	100.0
40	165.0

The values are based on velocities $v \leq 0.4\text{m/s}$

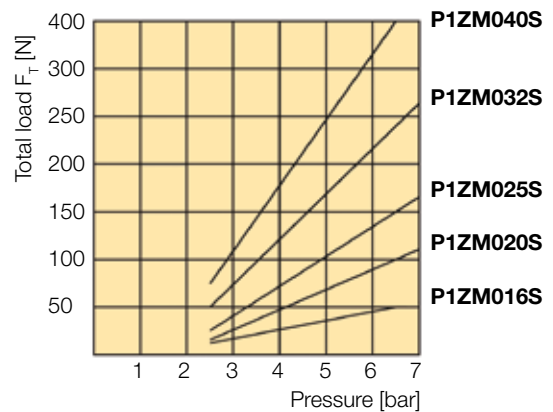
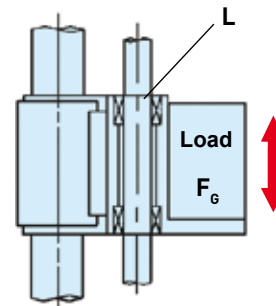


Permissible axial load, horizontal mounting



Ø (mm)	Max. Moment M_y [Nm]
16	1.2
20	2.5
25	3.8
32	8.5
40	13.0

Permissible axial load, vertical mounting



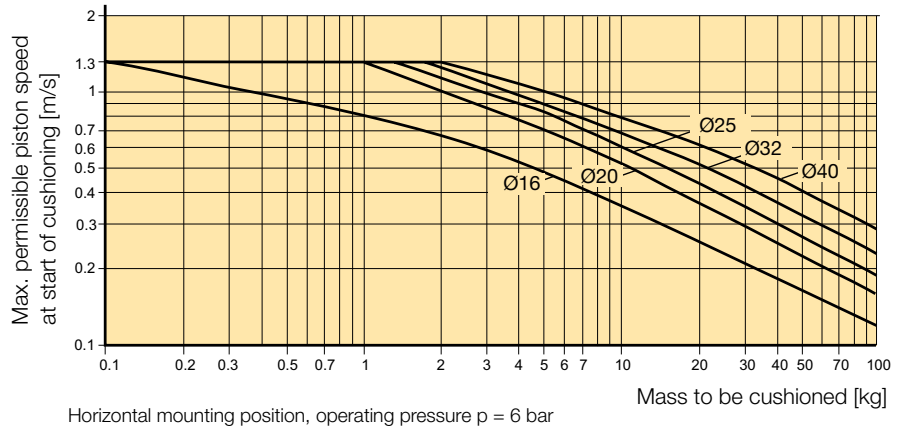
L = Weight of the external carriage
 F_G = Load
 F_T = Total load = Load F_G + Weight of the external carriage L + Force due to friction



Dynamic forces must not exceed the maximum magnetic coupling force!

Cushioning diagram

If the permitted limit values are exceeded, additional shock absorbers should be fitted in the area of the centre of gravity.

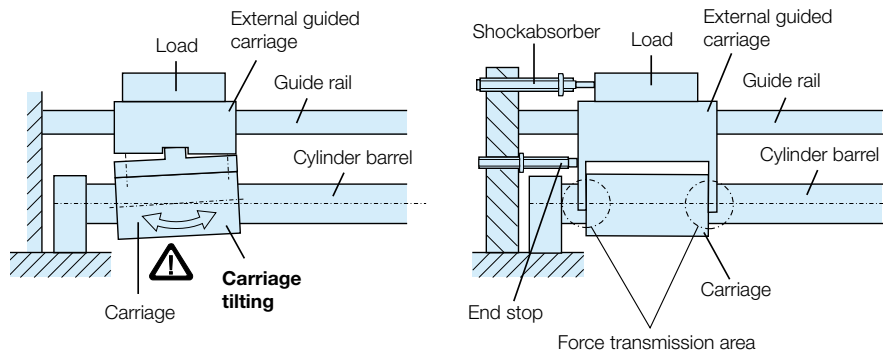


Installation tips for use with external guides

When stopping a load having a large inertia force at the stroke end, tilting of the carriage and damage to the bearings and cylinder barrel may occur (fig. left).

To prevent this, the force transmission should be realized at the middle axis of the cylinder.

The combination of the shock absorber with an end stop, can help to prevent the tilting of the carriage (fig. right).



Order Instructions - Basic Cylinder - Series P1Z

Basic cylinder (15 digits)													With option (18 digits)				
P	1	Z	M	0	1	6	S	A	N	0	8	5	0	W	F	M	N

Piston diameter	
016	∅ 16 mm
020	∅ 20 mm
025	∅ 25 mm
032	∅ 32 mm
040	∅ 40 mm

End of stroke cushioning	
A	Pneumatically adjustable (∅ 16, 20, 25, 32 and 40 mm)

Stroke length	
max. stroke [mm]	Piston ∅ [mm]
1000	∅ 16
1500	∅ 20
2000	∅ 25
2000	∅ 32
2000	∅ 40

Options	
B	without
W	with

Mountings	
N	without
F	Foot mounting
L	Flange mounting

Air supply port type	
M	Metric thread (∅ 16 mm)
B	G-thread (∅ 20 - 40 mm)
(Other types on request)	

Order code examples:

- **P1ZM016SAN0100B** ∅ 16 mm, stroke 100 mm, supplied with hexagonal nuts on each end cap.
- **P1ZM020SAN1000WFBN** ∅ 20 mm, stroke 1000 mm, with foot mounting at both end caps.

P1Z Series - Guided Version

Ø 16-40 mm

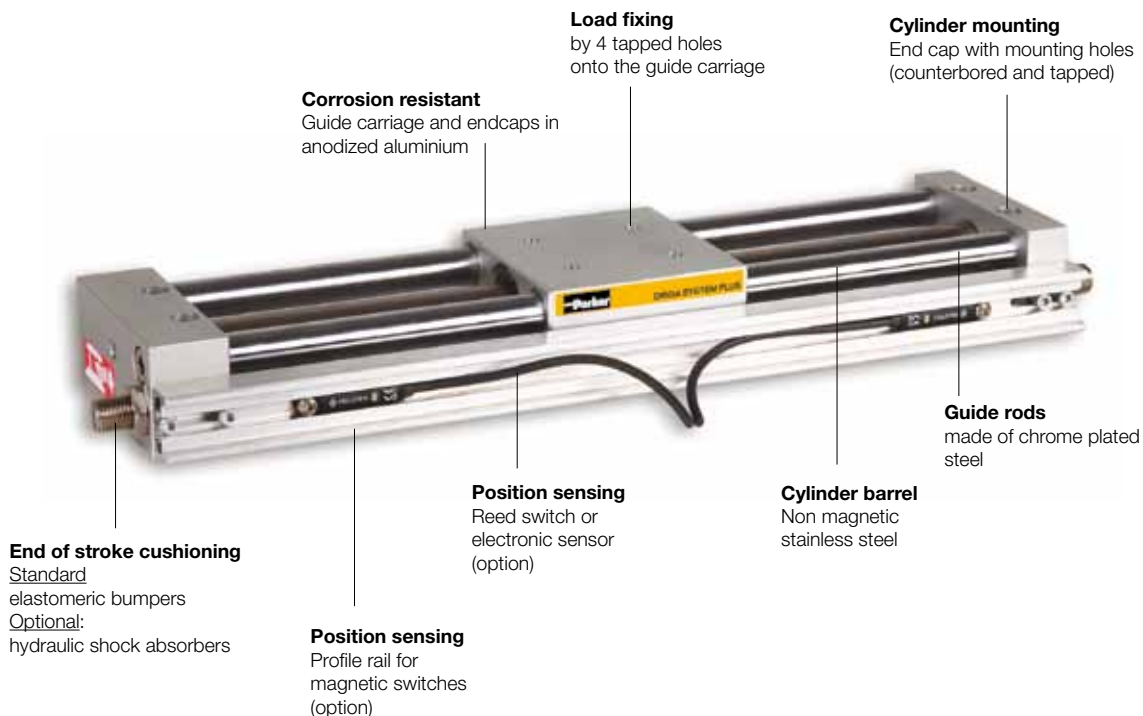
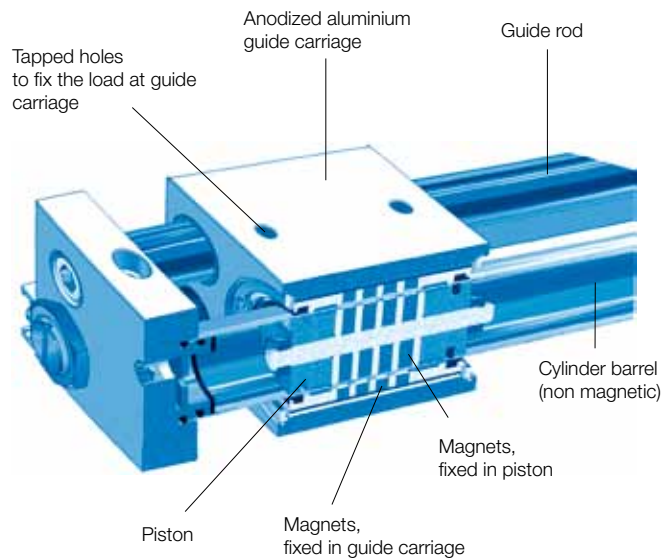
The P1Z is a rodless pneumatic cylinder with guide. The piston and the guide carriage are equipped with ring magnets.

The motion is transmitted via the magnetic force between the piston and the guide carriage.

The guided version consists of a carriage fitted with 4 plain bearings, guided on 2 guide rods. The design provides high rigidity, accurate guidance and a non rotating movement.

Features:

- Double acting with guide
- Magnetically coupled without mechanical connection
- Mechanical protection in case of occasional overload due to magnetic uncoupling
- Piston chamber and Slide are pressure tight
- Pressure tight and leak free system
- Air connection at one end (option)
- End of stroke cushioning: with elastomeric bumpers (standard), with hydraulic shock absorbers (option)
- Position sensing: AI-profile rail for magnetic switches (option). Magnetic switches available as reed switches or as electronic sensors (option).



Mounting and Technical Data

Guided Version

The loads can be fixed onto the guide carriage by 4 tapped holes.

Cylinder mounting provided with 4 tapped and counterbored holes. Additional mountings are not required.

Materials

Cylinder barrel	Stainless steel
Carriage	Al, anodised
End cap	Al, anodised
Seals	NBR
Guide rods	Steel, chrome plated

Technical Data

Piston diameter Ø [mm]	16	20	25	32	40
Max. stroke length [mm]	750	1000	1500	1500	1500
Stroke tolerance [mm] up to 1000 mm	0/+1.5				
Stroke tolerance [mm] > 1000 mm	0/+2				
Temperature range [°C]	0 to 60				
Operating medium	Filtered compressed air, dry, lubricated or unlubricated * (other media on request)				
Air supply port size	M5	G1/8	G1/8	G1/8	G1/4
Max. magnetic coupling force [N]	157	236	383	703	942
Velocity range [m/s]	0.5 to 0.4				
Min. operating pressure [bar]	2.3	2			
Max. operating pressure [bar]	6.5	7			
Weight [kg]					
at 0 mm stroke	0.9	1.52	1.70	3.63	5.44
per 100 mm stroke	0.2	0.33	0.42	0.53	0.86

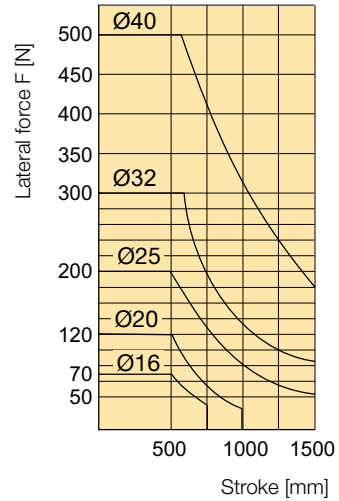
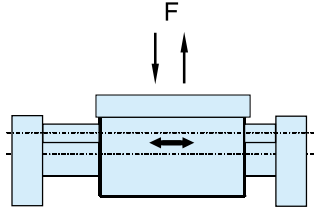
* if external lubrication is added, this must always be continued.

Loads, forces and moments
Guided Version

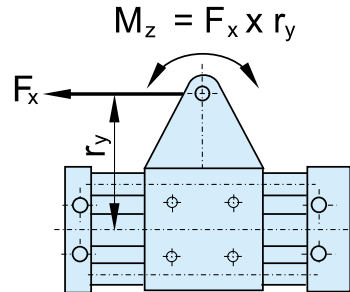
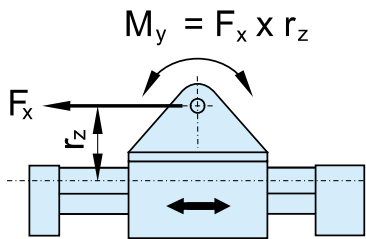
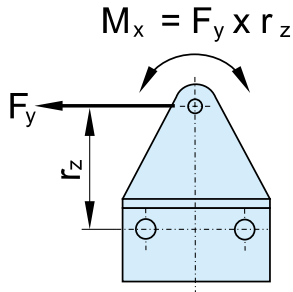
Forces [N]

Piston (mm)	16	20	25	32	40
Theoretical force at 6 bar [N]	120	188	295	483	754
Max. magnetic coupling force [N]	157	236	383	703	942

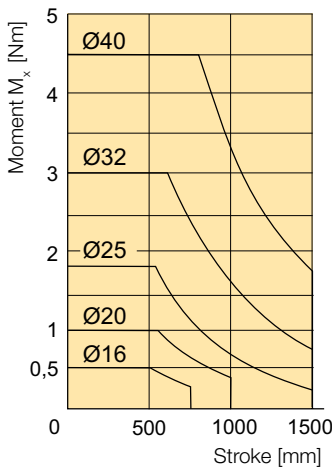
Permissible lateral force, depending on the stroke length



Ø (mm)	Max. Moment M_x [Nm]	Max. Moment M_y [Nm]	Max. Moment M_z [Nm]
16	0.5	2.4	2.4
20	1.0	5.0	5.0
25	1.8	9.5	9.5
32	3.0	15.0	15.0
40	4.5	24.0	24.0



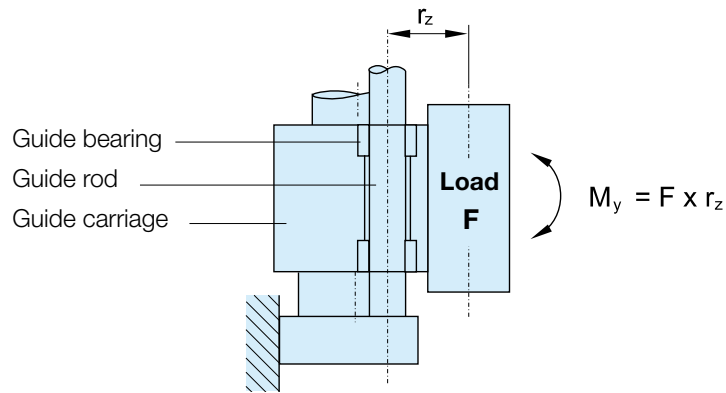
Permissible moment M_x depending on the stroke length



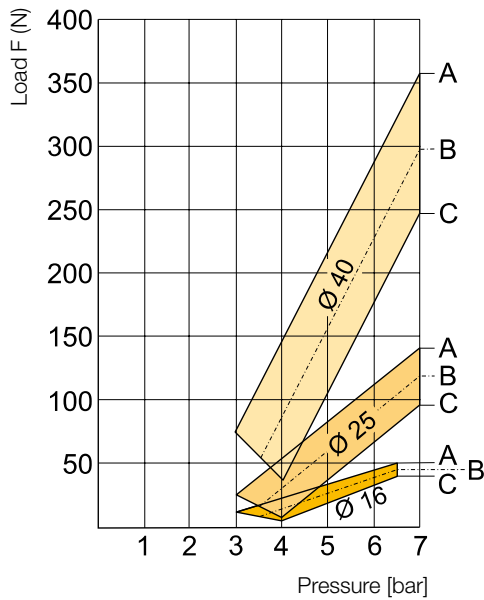
Dynamic forces must not exceed the maximum magnetic coupling force!

Permissible axial load, vertical mounting

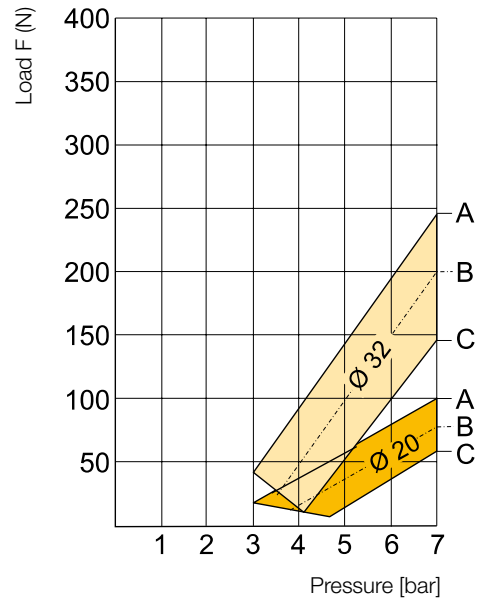
For vertical applications please refer to the values in the diagrams !



Cylinder Ø 16, 25, 40



Cylinder Ø 20, 32



Ø (mm)	Max. Load F [N]	B Max. Moment $M_y / 2$ [Nm]	C Max. Moment M_y [Nm]
16	50.0	1.2	2.4
20	100.0	2.5	5.0
25	140.0	4.75	9.5
32	240.0	7.5	15.0
40	360.0	12.0	24.0

- A** = curve at moment $M_y = 0$
- B** = curve at moment $M_y/2 =$ see **column B**
- C** = curve at moment $M_{y \max.} =$ see **column C**

Series SA

SA 10N - for smaller effective masses

SA 10SN - for intermediate effective masses

SA 10S2N - for larger effective masses

Basic Version with:

- Integral stop collar
- 1 mounting nut
- Soft pad

Type: Non-adjustable

Accessories:

- Universal flange



Energy Capacity

Type	Stroke (mm)	Effective Mass (kg)		Max. Energy Capacity (Nm)	
		Min.	Max.	per stroke W_3	per hour W_4
SA 10N	6.5	0.7	2.2	2.8	22500
SA 10SN	6.5	1.8	5.4	2.8	22500
SA 10S2N	6.5	4.6	13.6	2.8	22500

Technical Data

Characteristics	Unit	Comments
Impact Velocity	m/s	0.15 - 2.2
Operating temperature range	°C	0 to 65
Installation		In any position
Force of internal return spring	N	3 - 6
Max. deviation of impacting force from centre axis of shock absorber		$\pm 2^\circ$
Weight (mass)	kg	0.020
Min. mounting strength required	N	1080 ¹⁾
Materials		
Body	Steel, black oxide finish	
Piston Rod	Steel, hardened, ground, hard-chrome plated	
Accessories	Steel, black oxide finish or aluminium, anodized	

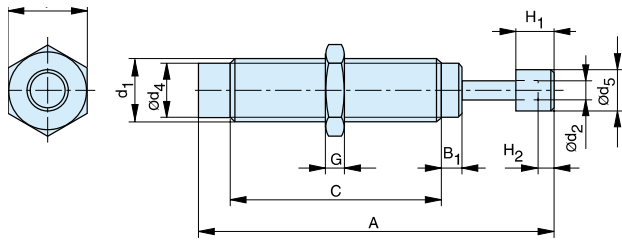
¹⁾ based on $\frac{2.5 \cdot W_3}{\text{stroke}}$

Order Instructions

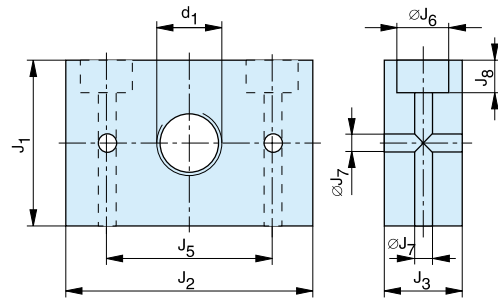
Product	Order Instructions Type	Order No.
Shock absorber for smaller effective masses	SA 10N	7717FIL
Shock absorber for intermediate effective masses	SA 10 SN	7718FIL
Shock absorber for larger effective masses	SA 10 S2N	7721FIL
Additional mounting nut	LN 10	7909FIL
Universal flange	UM 10	7902FIL

Dimensions (mm) – Shock Absorbers

Type: SA 10N, SA 10 SN, SA 10 S2N



Dimensions (mm) – Universal Flange



Dimensions Table (mm)

A	B ₁	C	d ₁	ød ₂	ød ₄	ød ₅	F	G	H ₁	H ₂	J ₁	J ₂	J ₃	J ₅	øJ ₆	øJ ₇	J ₈
57.6	5.0	33.0	M10x1	3.2	8.4	7.6	12.0	4	8.0	3.0	25.4	38	12	25.4	8	4.5	5

Series SA

SA 12N - for smaller effective masses

SA 12SN - for intermediate effective masses

SA 12S2N - for larger effective masses

Basic Version with:

- Integral stop collar
- 1 mounting nut
- Soft pad

Type: Non-adjustable

Accessories:

- Universal flange



Energy Capacity

Type	Stroke (mm)	Effective Mass (kg)		Max. Energy Capacity (Nm)	
		Min.	Max.	per stroke W_3	per hour W_4
SA 12N	10	0.3	1.1	9.0	28200
SA 12SN	10	0.9	4.8	9.0	28200
SA 12S2N	10	2.7	36.2	9.0	28200

Technical Data

Characteristics	Unit	Comments
Impact Velocity	m/s	0.15 - 5
Operating temperature range	°C	0 to 65
Installation		In any position
Force of internal return spring	N	4 - 9
Max. deviation of impacting force from centre axis of shock absorber		±2°
Weight (mass)	kg	0.030
Min. mounting strength required	N	2250 ¹⁾

Materials

Body	Steel, black oxide finish
Piston Rod	Steel, hardened, ground, hard-chrome plated
Accessories	Steel, black oxide finish or aluminium, anodized

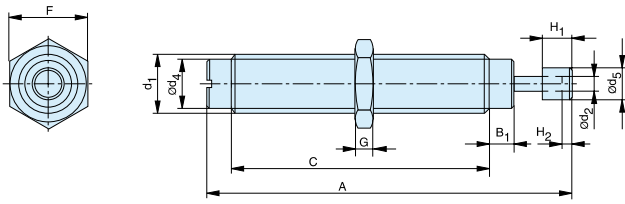
¹⁾ based on $\frac{2.5 \cdot W_3}{\text{stroke}}$

Order Instructions

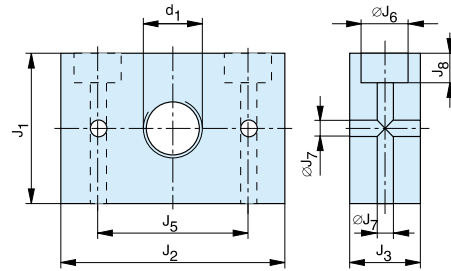
Product	Order Instructions Type	Order Code
Shock absorber for smaller effective masses	SA 12N	7719FIL
Shock absorber for intermediate effective masses	SA 12 SN	7722FIL
Shock absorber for larger effective masses	SA 12 S2N	7723FIL
Additional mounting nut	LN 12	7919FIL
Universal flange	UM 12	7912FIL

Dimensions (mm) – Shock Absorbers

Type: SA 12N, SA 12 SN, SA 12 S2N



Dimensions (mm) – Universal Flange



Dimensions Table (mm)

A	B	B ₁	C	d ₁	ød ₂	ød ₄	ød ₅	F	G	H ₁	H ₂	J ₁	J ₂	J ₃	J ₅	øJ ₆	øJ ₇	J ₈
67	10	3.0	44	M12x1	3.2	10.4	7.6	14.0	5	8.0	3	25.4	38	12	25.4	8	4.5	5

Series SA

SA 14 - for smaller effective masses

SA 14 S - for intermediate effective masses

SA 14 S2 - for larger effective masses

Basic Version with:

- Integral stop collar
- 1 mounting nut

Type: Non-adjustable

Accessories:

- Universal flange
- Soft pad



Energy Capacity

Type	Stroke (mm)	Effective Mass (kg)		Max. Energy Capacity (Nm)	
		Min.	Max.	per stroke W_3	per hour W_4
SA 14N	12.5	0.9	10	17	34000
SA 14S	12.5	8.6	86	17	34000
SA 14S2	12.5	68	205	17	34000

Technical Data

Characteristics	Unit	Comments
Impact Velocity	m/s	0.3 - 4.5
Operating temperature range	°C	0 to 65
Installation		In any position
Force of internal return spring	N	4 - 7
Max. deviation of impacting force from centre axis of shock absorber		$\pm 3^\circ$
Weight (mass)	kg	0.125
Min. mounting strength required	N	3400 ¹⁾

Materials

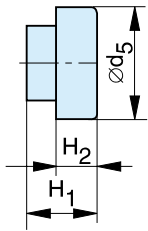
Body	Steel, black oxide finish
Piston Rod	Steel, hardened, ground, hard-chrome plated
Accessories	Steel, black oxide finish or aluminium, anodized

¹⁾ based on $\frac{2.5 \cdot W_3}{\text{stroke}}$

Order Instructions

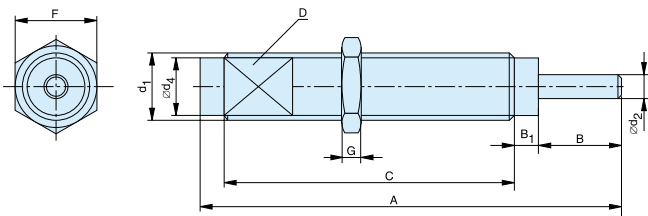
Product	Order Instructions Type	Order No.
Shock absorber for smaller effective masses	SA 14	7920FIL
Shock absorber for intermediate effective masses	SA 14 S	7927FIL
Shock absorber for larger effective masses	SA 14 S2	7928FIL
Soft pad	SP 14	7924FIL
Additional mounting nut	LN 14	7929FIL
Universal flange	UM 14	7922FIL

Dimensions (mm) – Soft Pad

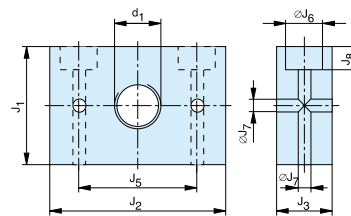


Dimensions (mm) – Shock Absorbers

Type: SA 14, SA 14 S, SA 14 S2



Dimensions (mm) – Universal Flange



Dimensions Table (mm)

A	B	B ₁	C	D	d ₁	ød ₂	ød ₄	ød ₅	F	G	H ₁	H ₂	J ₁	J ₂	J ₃	J ₅	øJ ₆	øJ ₇	J ₈
87	12	4	61	12	M14x1,5 ¹⁾	4.8	12	11.9	17	5	10.9	6.9	29	45	16	35	8	4.5	5

¹⁾ Option: M14x1 thread (d₁)

Series SA

SA 20 - for smaller effective masses

SA 20S - for intermediate effective masses

SA 20S2 - for larger effective masses

Basic Version with:

- Integral stop collar
- 1 mounting nut

Type: Non-adjustable

Accessories:

- Universal flange
- Soft pad



Energy Capacity

Type	Stroke (mm)	Effective Mass (kg)		Max. Energy Capacity (Nm)	
		Min.	Max.	per stroke W_3	per hour W_4
SA 20	12.5	2.3	25	25	45000
SA 20S	12.5	23	230	25	45000
SA 20S2	12.5	182	910	25	45000

Technical Data

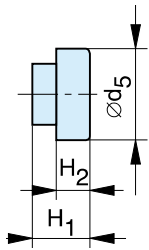
Characteristics	Unit	Comments
Impact Velocity	m/s	0.3 - 4.5
Operating temperature range	°C	0 to 65
Installation		In any position
Force of internal return spring	N	6 - 10
Max. deviation of impacting force from centre axis of shock absorber		$\pm 3^\circ$
Weight (mass)	kg	0.176 (Type SA20)
	kg	0.207 (Type SA20x25)
Min. mounting strength required	N	5000 ¹⁾
Materials		
Body	Steel, black oxide finish	
Piston Rod	Steel, hardened, ground, hard-chrome plated	
Accessories	Steel, black oxide finish or aluminium, anodized	

¹⁾ based on $\frac{2.5 \cdot W_3}{\text{stroke}}$

Order Instructions

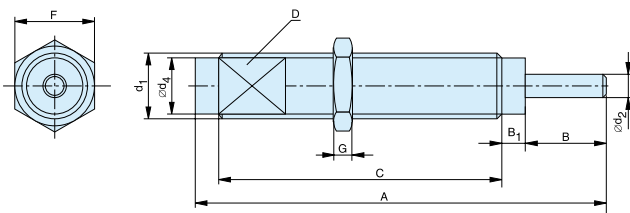
Product	Order Instructions	Order Code
	Type	
Shock absorber for smaller effective masses	- stroke 12.5 mm	SA 20
Shock absorber for intermediate effective masses	- stroke 12.5 mm	SA 20 S
Shock absorber for larger effective masses	- stroke 12.5 mm	SA 20 S2
Soft pad		SP 20
Additional mounting nut		LN 20
Universal flange		UM 20

Dimensions (mm) – Soft Pad

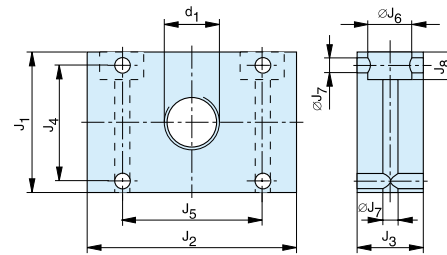


Dimensions (mm) – Shock Absorbers

Type: SA 20, SA 20 S, SA 20 S2



Dimensions (mm) – Universal Flange



Dimensions Table (mm)

Type	A	B	B ₁	C	D	d ₁	ød ₂	ød ₄	ød ₅	F	G	H ₁	H ₂	J ₁	J ₂	J ₃	J ₄	J ₅	øJ ₆	øJ ₇	J ₈
SA 20	89	12	5.6	61.7	17	M20x1.5	6.4	17	17	23.9	6	10.7	4.7	35	46	16	25.4	35	10.4	5.5	10.4
SA 20x25	140.5	24.6	5.6	100.3	17	M20x1.5	6.4	17	17	25.4	6	10.7	4.7	35	46	16	25.4	35	10.4	5.5	10.4

Series SA

SAI 25 - for smaller effective masses

SAI 25 S - for intermediate effective masses

SAI 25 S2 - for larger effective masses

Basic Version with:

- Integral stop collar
- 1 mounting nut

Type: Non-adjustable

Accessories:

- Universal flange
- Soft pad



Energy Capacity

Type	Stroke (mm)	Effective Mass (kg)		Max. Energy Capacity (Nm)	
		Min.	Max.	per stroke W_3	per hour W_4
SAI 25	25.4	9	136	68	68000
SAI 25S	25.4	113	1130	68	68000
SAI 25S2	25.4	400	2273	68	68000

Technical Data

Characteristics	Unit	Comments
Impact Velocity	m/s	0.3 - 4.5
Operating temperature range	°C	0 to 65
Installation		In any position
Force of internal return spring	N	19 - 37
Max. deviation of impacting force from centre axis of shock absorber		$\pm 3^\circ$
Weight (mass)	kg	0.327
Min. mounting strength required	N	6700 ¹⁾

Materials

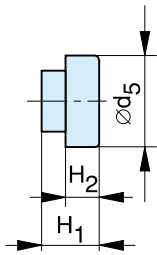
Body	Steel, black oxide finish
Piston Rod	Steel, hardened, ground, hard-chrome plated
Accessories	Steel, black oxide finish or aluminium, anodized

¹⁾ based on $\frac{2.5 \cdot W_3}{\text{stroke}}$

Order Instructions

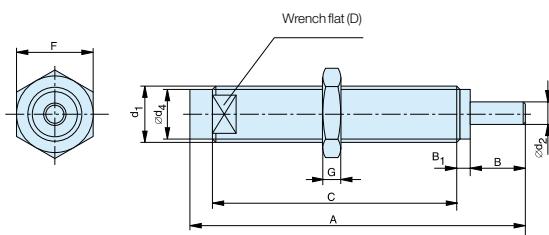
Product	Order Instructions Type	Order No.
Shock absorber for smaller effective masses	SAI 25	7834FIL
Shock absorber for intermediate effective masses	SAI 25 S	7835FIL
Shock absorber for larger effective masses	SAI 25 S2	7836FIL
Soft pad	SP-25	7837FIL
Additional mounting nut	LN-25	7959FIL
Universal flange	UM-25	7952FIL

Dimensions (mm) – Soft Pad

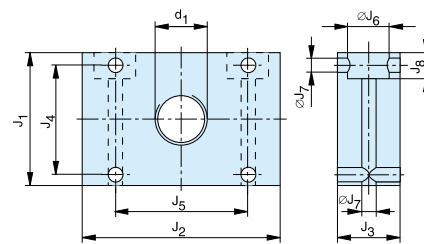


Dimensions (mm) – Shock Absorbers

Type: SAI 25, SAI 25 S, SAI 25 S2



Dimensions (mm) – Universal Flange



Dimensions Table (mm)

A	B	B ₁	C	D	d ₁	ød ₂	ød ₄	ød ₅	F	G	H ₁	H ₂	J ₁	J ₂	J ₃	J ₄	J ₅	øJ ₆	øJ ₇	J ₈
149.1	24.6	4.6	107.2	22	M25x1.5 ¹⁾	7.9	22.4	22.3	30	8	11	4.7	35	47	16	25.5	35	10.4	5.5	10.4

¹⁾ Option: M27x3 on request

Series SA

SA 33x25
SA 33x50 - for smaller effective masses

SA 33Sx25 - for intermediate effective masses

SA 33 S2 x25
SA 33 S2 x50 - for larger effective masses

SA 33 S3 x25
SA 33 S3 x50 - for high effective masses

Basic Version with:

- 1 mounting nut

Type: Non-adjustable

Accessories:

- Soft pad
- Rectangular flange
- Foot mounting
- Stop collar



Energy Capacity

Type	Stroke (mm)	Effective Mass (kg)		Max. Energy Capacity (Nm)	
		Min.	Max.	per stroke W_3	per hour W_4
SA 33x25	25.4	9	40	153	75000
SA 33Sx25	25.4	30	120	153	75000
SA 33S2x25	25.4	100	420	153	75000
SA 33S3x25	25.4	350	1420	153	75000
SA 33x50	50.8	18	70	305	85000
SA 33S2x50	50.8	210	840	305	85000
SA 33S3x50	50.8	710	2830	305	85000

Technical Data

Characteristics	Unit	Comments
Impact Velocity	m/s	0.15 - 5
Operating temperature range	°C	-12 to +70
Installation		In any position
Force of internal return spring	N	on request ¹⁾
Max. deviation of impacting force from centre axis of shock absorber		Type SA33...-25 - 4° Type SA33...-50 - 3°
Weight (mass)	kg	Type SA33...-25 - 0.45
	kg	Type SA33...-50 - 0.54
Min. mounting strength required	N	on request ¹⁾
Materials		
Body	Steel, black oxide finish	
Piston Rod	Steel, hardened, ground, hard-chrome plated	
Accessories	Steel, black oxide finish or aluminium, anodized	

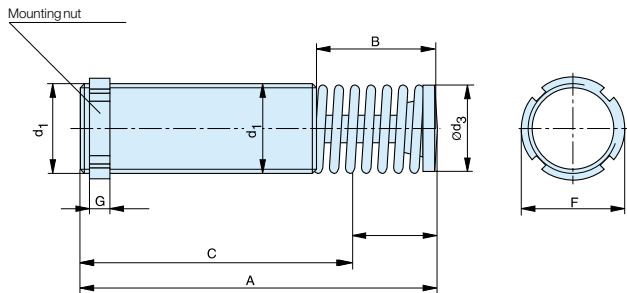
¹⁾ based on $\frac{2.5 \cdot W_3}{\text{stroke}}$

Order Instructions

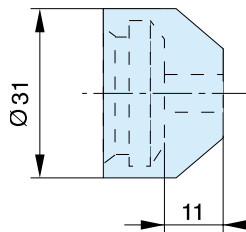
Product	Order Instructions	Order Code
Type		
Shock absorber for smaller effective masses	- stroke 25.4 mm	SA 33x25 8041FIL
	- stroke 50.8 mm	SA 33x50 8045FIL
Shock absorber for intermediate effective masses	- stroke 25.4 mm	SA 33Sx25 8042FIL
	- stroke 50.8 mm	SA 33Sx50 8046FIL
Shock absorber for larger effective masses	- stroke 25.4 mm	SA 33S2x25 8043FIL
	- stroke 50.8 mm	SA 33S2x50 8047FIL
Shock absorber for high masses	- stroke 25.4 mm	SA 33S3x25 8044FIL
	- stroke 50.8 mm	SA 33S3x50 8048FIL
Stop collar option "a"	for rear mounting	SC1/2A 7971FIL
Stop collar option "b"	for front mounting	SC1/2B 7977FIL
Soft pad		SP1/2 20 7974FIL
Additional mounting nut		LN 1/2 7979FIL
Rectangular flange		RF1/2 7972FIL
Foot mounting		FM1/2 7973FIL

Dimensions (mm) – Shock Absorbers

Type: SA 33...x25, SA 33...x50

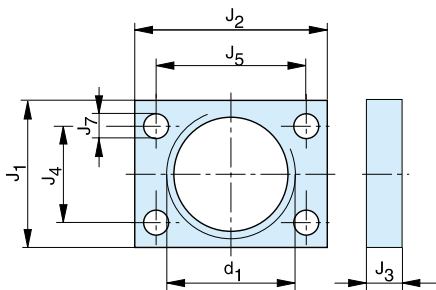


Dimensions (mm) Soft Pad

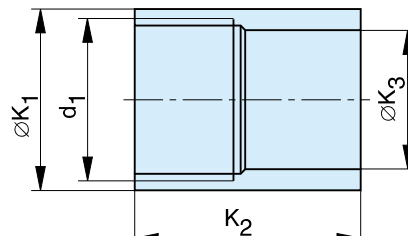


Note: Cannot be used with stop collar.

Dimensions (mm) – Rectangular Flange



Dimensions (mm) – Stop Collar

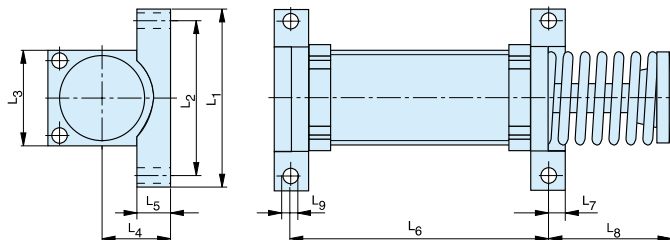


Option "a" and "b"

Option "a" - for rear mounting

Option "b" - for front mounting

Dimensions (mm) – Foot Mounting



Dimensions Table (mm)

Type	Stroke	A	B	C	d ₁	ød ₃	øF	G	ød ₅	H ₁	H ₂	J ₁	J ₂	J ₃	J ₄	J ₅
SA 33...x25	25.4	138	55	83	M33x1.5	25	39.6	6.5	31.8	19.1	11.2	38.1	50.8	9.7	28.7	41.4
SA 33...x50	50.8	189	81	108	M33x1.5	25	39.6	6.5	31.8	19.1	11.2	38.1	50.8	9.7	28.7	41.4

Type	øK ₁	K _{2a}	K _{2b}	øK ₃	L ₁	L ₂	L ₃	L ₄	L ₅	L ₆	L ₇	L ₈	L ₉
SA 33...x25	38.1	47.6	41.3	28.6	69.9	60.3	50.8	22.2	12.7	95.3	6.4	49.2	5.6
SA 33...x50	38.1	47.6	41.3	28.6	69.9	60.3	50.8	22.2	12.7	121	6.4	74.6	5.6

Series SA

SA 45x25

SA 45x50 - for smaller effective masses

SA 45x75

SA 45Sx25

SA 45Sx50 - for intermediate effective masses

SA 45Sx75

SA 45 S2 x25

SA 45 S2 x50 - for larger effective masses

SA 45 S2 x75

SA 45 S3 x25

SA 45 S3 x50 - for high effective masses

SA 45 S3 x75

Basic Version with:

- 1 mounting nut

Type: Non-adjustable

Accessories:

- Soft pad
- Rectangular flange
- Foot mounting
- Stop collar



Energy Capacity

Type	Stroke (mm)	Effective Mass (kg)		Max. Energy Capacity (Nm)	
		Min.	Max.	per stroke W_3	per hour W_4
SA 45x25	25.4	20	90	339	107000
SA 45Sx25	25.4	80	310	339	107000
SA 45S2x25	25.4	260	1050	339	107000
SA 45S3x25	25.4	890	3540	339	107000
SA 45x50	50.8	45	180	678	112000
SA 45Sx50	50.8	150	620	678	112000
SA 45S2x50	50.8	520	2090	678	112000
SA 45S3x50	50.8	1800	7100	678	112000
SA 45x75	76.2	70	270	1017	146000
SA 45Sx75	76.2	230	930	1017	146000
SA 45S2x75	76.2	790	3140	1017	146000
SA 45S3x75	76.2	2650	10600	1017	146000

Order Instructions

Product		Order Instructions Type Code	Order
Shock absorber for smaller effective masses	- stroke 25.4 mm	SA 45x25	8049FIL
	- stroke 50.8 mm	SA 45x50	8053FIL
	- stroke 76.2 mm	SA 45x75	8057FIL
Shock absorber for intermediate effective masses	- stroke 25.4 mm	SA 45Sx25	8050FIL
	- stroke 50.8 mm	SA 45Sx50	8054FIL
	- stroke 76.2 mm	SA 45Sx75	8058FIL
Shock absorber for larger effective masses	- stroke 25.4 mm	SA 45S2x25	8051FIL
	- stroke 50.8 mm	SA 45S2x50	8055FIL
	- stroke 76.2 mm	SA 45S2x75	8059FIL
Shock absorber for high masses	- stroke 25.4 mm	SA 45S3x25	8052FIL
	- stroke 50.8 mm	SA 45S3x50	8056FIL
	- stroke 76.2 mm	SA 45S3x75	8060FIL
Stop collar		SC ...	on request
Soft pad		SP..	on request
Additional mounting nut		LN..	on request
Rectangular flange		RF..	on request
Foot mounting		FM..	on request

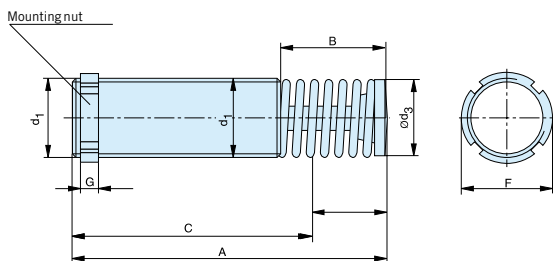
Technical Data

Characteristics	Unit	Comments
Impact Velocity	m/s	0.15 - 5
Operating temperature range	°C	-12 to +70
Installation		In any position
Force of internal return spring	N	on request ¹⁾
Max. deviation of impacting force from centre axis of shock absorber		Type SA45...-25-4° Type SA45...-50-3° Type SA45...-75-2°
Weight (mass)	kg	Type SA45...-25-1.13 Type SA45...-50-1.36 Type SA45...-75-1.59
Min. mounting strength required	N	on request ¹⁾
Materials		
Body	Steel, black oxide finish	
Piston Rod	Steel, hardened, ground, hard-chrome plated	
Accessories	Steel, black oxide finish or aluminium, anodized	

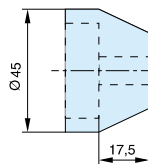
¹⁾ based on $\frac{2.5 \cdot W_3}{\text{stroke}}$

Dimensions (mm) – Shock Absorbers

Type: SA 45..x25, SA 45..x50, SA45..x75

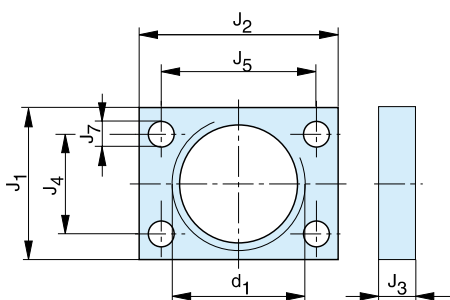


Dimensions (mm) Soft Pad

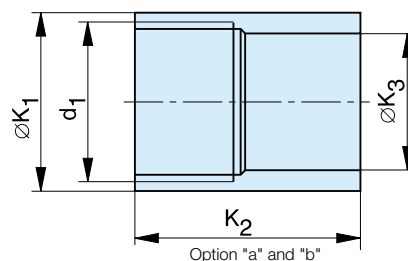


Note: Cannot be used with stop collar.

Dimensions (mm) – Rectangular Flange

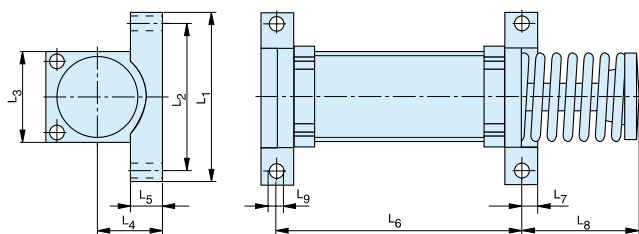


Dimensions (mm) – Stop Collar



Option "a" - for rear mounting
Option "b" - for front mounting

Dimensions (mm) – Foot Mounting



Dimensions Table (mm)

Type	Stroke	A	B	C	d ₁	ød ₃	øF	G	ød ₅	H ₁	H ₂	J ₁	J ₂	J ₃	J ₄	J ₅
SA 45..x25	25.4	145	50	95	M45x1.5	35	55.6	9.5	44.5	25.4	17.5	57.2	76.2	12.7	41.4	60.5
SA 45..x50	50.8	195	75	120	M45x1.5	35	55.6	9.5	44.5	25.4	17.5	57.2	76.2	12.7	41.4	60.5
SA 45..x75	76.2	246	101	145	M45x1.5	35	55.6	9.5	44.5	25.4	17.5	57.2	76.2	12.7	41.4	60.5

Type	øK ₁	K ₂ a	K ₂ b	øK ₃	L ₁	L ₂	L ₃	L ₄	L ₅	L ₆	L ₇	L ₈	L ₉
SA 45..x25		on request			95.3	72.2	57.2	29.4	14.2	85.5	9.5	52.3	8.7
SA 45..x50		on request			95.3	72.2	57.2	29.4	14.2	111	9.5	77.7	8.7
SA 45..x75		on request			95.3	72.2	57.2	29.4	14.2	111	9.5	103	8.7

Series SA

SA 64x50

SA 64x100 - for smaller effective masses

SA 64x150

SA 64Sx50

SA 64Sx100 - for intermediate effective masses

SA 64Sx150

SA 64S2x50

SA 64S2x100 - for larger effective masses

SA 64S2x150

SA 64S3x50

SA 64S3x100 - for high effective masses

SA 64S3x150

Basic Version with:

- 1 mounting nut

Type: Non-adjustable

Accessories:

- Soft pad
- Rectangular flange
- Foot mounting
- Stop collar



Energy Capacity

Type	Stroke (mm)	Effective (kg)	Mass	Max. Energy Capacity (Nm)	
		Min.	Max.	per stroke W_3	per hour W_4
SA 64x50	50.8	140	540	1695	146000
SA 64Sx50	50.8	460	1850	1695	146000
SA 64S2x50	50.8	1600	6300	1695	146000
SA 64S3x50	50.8	5300	21200	1695	146000
SA 64x100	101.6	270	1100	3390	192000
SA 64Sx100	101.6	930	3700	3390	192000
SA 64S2x100	101.6	3150	12600	3390	192000
SA 64S3x100	101.6	10600	42500	3390	192000
SA 64x150	150.1	410	1640	5084	248000
SA 64Sx150	150.1	1390	5600	5084	248000
SA 64S2x150	150.1	4700	18800	5084	248000
SA 64S3x150	150.1	16000	63700	5084	248000

Technical Data

Characteristics	Unit	Comments
Impact Velocity	m/s	0.15 - 5
Operating temperature range	°C	-12 to +70
Installation		In any position
Force of internal return spring	N	on request
Max. deviation of impacting force from centre axis of shock absorber		Type SA64...-50 - 4° Type SA64...-100 - 3° Type SA64...-150 - 2°
Weight (mass)	kg	Type SA64...-50 - 2.90 Type SA64...-100 - 3.70 Type SA64...-150 - 5.10
Min. mounting strength required	N	on request ¹⁾
Materials		
Body	Steel, black oxide finish	
Piston Rod	Steel, hardened, ground, hard-chrome plated	
Accessories	Steel, black oxide finish or aluminium, anodized	

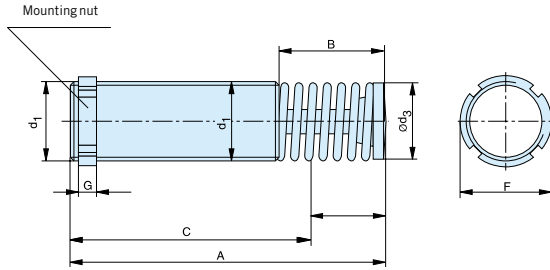
¹⁾ based on $\frac{2.5 \cdot W_3}{\text{stroke}}$

Order Instructions

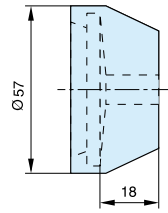
Product	Order Instructions	Type	Order Code
Shock absorber for smaller effective masses	- stroke 50.8 mm	SA 64x50	8061FIL
	- stroke 101.6 mm	SA 64x100	8065FIL
	- stroke 152.4 mm	SA 64x150	8069FIL
Shock absorber for intermediate effective masses	- stroke 50.8 mm	SA 64Sx50	8062FIL
	- stroke 101.6 mm	SA 64Sx100	8066FIL
	- stroke 152.4 mm	SA 64Sx150	8070FIL
Shock absorber for larger effective masses	- stroke 50.8 mm	SA 64S2x50	8063FIL
	- stroke 101.6 mm	SA 64S2x100	8067FIL
	- stroke 152.4 mm	SA 64S2x150	8071FIL
Shock absorber for high masses	- stroke 50.8 mm	SA 64S3x50	8064FIL
	- stroke 101.6 mm	SA 64S3x100	8068FIL
	- stroke 152.4 mm	SA 64S3x150	8072FIL
Stop collar Option "a" for Type SA 64...x50 and SA 64...x100	for rear mounting	SC 1-1/8A	7991FIL
Stop collar Option "a" for Type SA 64...x150	for rear mounting	SC 1-1/8A	7891FIL
Stop collar Option "b" for Type SA 64...x50 and SA 64...x100	for rear mounting	SC 1-1/8B	7997FIL
Stop collar Option "b" for Type SA 64...x150	for rear mounting	SC 1-1/8B	7897FIL
Soft pad		SP 1-1/8	7994FIL
Additional mounting nut		LN 1-1/8	7999FIL
Square flange		SF 1-1/8	7998FIL
Foot mounting		FM 1-1/8	7993FIL

Dimensions (mm) – Shock Absorbers

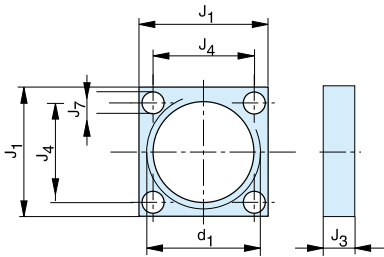
Type: SA 64..x50, SA 64..x100, SA 64..x150



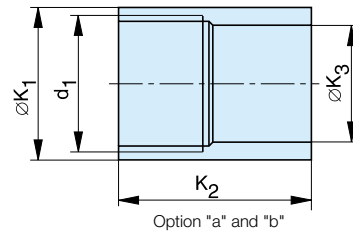
Dimensions (mm) – Soft Pad



Dimensions (mm) – Square Flange

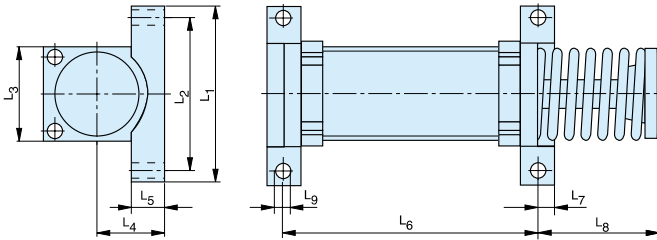


Dimensions (mm) – Stop Collar



Option "a" - for rear mounting
Option "b" - for front mounting

Dimensions (mm) – Foot Mounting



Dimensions Table (mm)

Type	Stroke	A	B	C	d ₁	ød ₃	øF	G	ød ₅	H ₁	H ₂	J ₁	J ₂	J ₃	J ₄
SA 64..x50	50.8	225	85	140	M64x2	48	76	9.5	57.2	25.4	17.5	88.9	76.2	16	69.9
SA 64..x100	101.6	326	135	191	M64x2	48	76	9.5	57.2	25.4	17.5	88.9	76.2	16	69.9
SA 64..x150	150.1	450	209	241	M64x2	48	76	9.5	57.2	25.4	17.5	88.9	76.2	16	69.9
Type	øK ₁	K _{2a}	K _{2b}	øK ₃	L ₁	L ₂	L ₃	L ₄	L ₅	L ₆	L ₇	L ₈	L ₉		
SA 64..x50	76.2	62.7	50	60.3	143	124	88.9	44.5	19.1	127	14.2	90	10.3		
SA 64..x100	76.2	62.7	50	60.3	143	124	88.9	44.5	19.1	178	14.2	141	10.3		
SA 64..x150	76.2	62.7	50	60.3	143	124	88.9	44.5	19.1	229	14.2	214	10.3		

Series SA

SA 1/4 x 1/2N

Basic Version with:

- Integral stop collar
- 1 mounting nut

Type: Adjustable

Accessories:

- Universal flange
- Soft pad



Energy Capacity

Type	Stroke (mm)	Effective Mass (kg)		Max. Energy Capacity (Nm)	
		Min.	Max.	per stroke W_3	per hour W_4
SA 1/4 x 1/2N	12.7	1	190	20	35000

Technical Data

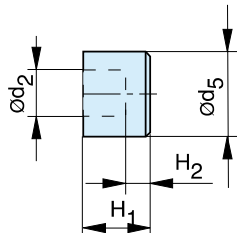
Characteristics	Unit	Comments
Impact Velocity	m/s	0.3 - 3.6
Operating temperature range	°C	0 to 65
Installation		In any position
Force of internal return spring	N	3 - 5
Max. deviation of impacting force from centre axis of shock absorber		$\pm 3^\circ$
Weight (mass)	kg	0.176
Min. mounting strength required	N	3900 ¹⁾
Materials		
Body	Steel, black oxide finish	
Piston Rod	Steel, hardened, ground, hard-chrome plated	
Accessories	Steel, black oxide finish or aluminium, anodized	

¹⁾ based on $\frac{2.5 \cdot W_4}{\text{stroke}}$

Order Instructions

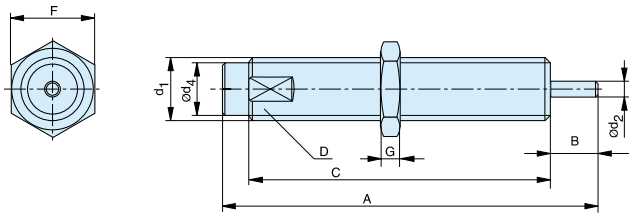
Product	Order Instructions Type	Order No.
Shock absorber	SA 1/4 x 1/2N	7720FIL
Additional mounting nut	LN20	7939FIL
Universal flange	UM20	7932FIL
Soft pad	SP-1/4 x 1/2N	7724FIL

Dimensions (mm) – Soft Pad

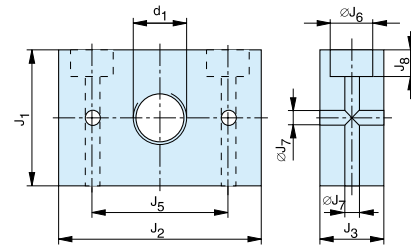


Dimensions (mm) – Shock Absorbers

Type: SA 1/4 x 1/2



Dimensions (mm) – Universal Flange



Dimensions Table (mm)

A	B	C	D	d_1	$\varnothing d_2$	$\varnothing d_4$	$\varnothing d_5$	F	G	H_1	H_2	J_1	J_2	J_3	J_4	J_5	$\varnothing J_6$	$\varnothing J_7$	J_8
86.7	17.7	62	17	M20x1,5	4.8	16.2	12	23	8	9.4	6	35	47	16	25.5	35	10	5.5	10.4

Series SA

SA 3/8 x 1D

Basic Version with:

- Front and rear adjustment
- 1 mounting nut

Type: Adjustable

Accessories:

- Stop collar
- Universal flange
- Soft pad



Energy Capacity

Type	Stroke (mm)	Effective Mass (kg)		Max. Energy Capacity (Nm)	
		Min.	Max.	per stroke W_3	per hour W_4
SA 3/8 x 1D	25.4	4.5	546	70	68000

Technical Data

Characteristics	Unit	Comments
Impact Velocity	m/s	0.3 - 4.5
Operating temperature range	°C	-12 to 65
Installation		In any position
Force of internal return spring	N	19 - 37
Max. deviation of impacting force from centre axis of shock absorber		$\pm 3^\circ$
Weight (mass)	kg	0.243
Min. mounting strength required	N	6900 ¹⁾

Materials

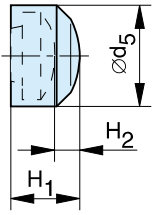
Body	Steel, black oxide finish
Piston Rod	Steel, hardened, ground, hard-chrome plated
Accessories	Steel, black oxide finish or aluminium, anodized

¹⁾ based on $\frac{2.5 \cdot W_3}{\text{stroke}}$

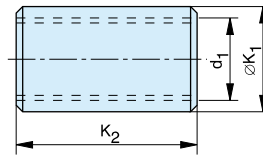
Order Instructions

Product	Order Instructions	Order No.
	Type	
Shock absorber	SA 3/8 x 1D	7840FIL
Stop collar	SC 25 B	7951FIL
Soft pad	SP 25	7954FIL
Additional mounting nut	LN 25	7959FIL
Universal flange	UM 25	7952FIL

**Dimensions (mm) -
 Soft pad**

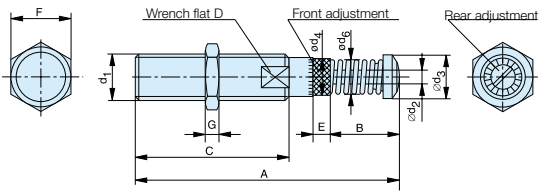


**Dimensions (mm) -
 Stop collar**

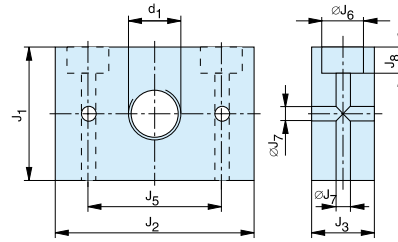


Dimensions (mm) – Shock Absorbers

Type: SA 3/8 x 1D



Dimensions (mm) – Universal Flange



Dimensions Table (mm)

A	B	C	D	d_1	$\varnothing d_2$	$\varnothing d_3$	$\varnothing d_4$	$\varnothing d_5$	$\varnothing d_6$	E	F	G	H_1	H_2	J_1	J_2	J_3
121.2	35.5	61.5	22	M25x1,5 ²⁾	7.9	19.9	22.7	22.1	18.5	12.7	30	8	12.2	6.4	35	47	16
J_4	J_5	$\varnothing d_6$	$\varnothing d_7$	J_8	$\varnothing K_1$	K_2											
25.5	35	10	5.5	10	31.8	55.6											

²⁾ Option: M27x3 thread (d₁)

Series SALD

SALD 1/2 x 1M

SALD 1/2 x 2M

Basic Version with:

- Integral stop collar
- 1 mounting nut

Type: Adjustable

Accessories:

- Rectangular flange



Energy Capacity

Type	Stroke (mm)	Effective Mass (kg)		Max. Energy Capacity (Nm)	
		Min.	Max.	per stroke W_3	per hour W_4
SALD 1/2 x 1 M	25.4	4.5	1360	170	85000
SALD 1/2 x 2 M	50.8	9.5	2720	340	98000

Technical Data

Characteristics	Unit	Comments
Impact Velocity	m/s	0.3 - 4.5
Operating temperature range	°C	-12 to 80
Installation		In any position
Force of internal return spring	N	SALD 1/2 x 1 M: 36 - 82 SALD 1/2 x 2 M: 36 - 128
Max. deviation of impacting force from centre axis of shock absorber		±3°
Weight (mass)	kg	SALD 1/2 x 1 M: 0.751 SALD 1/2 x 2 M: 0.922
Min. mounting strength required	N	13400 ¹⁾
Materials		
Body	Steel, black oxide finish	
Piston Rod	Steel, hardened, ground, hard-chrome plated	
Accessories	Steel, black oxide finish or aluminium, anodized	

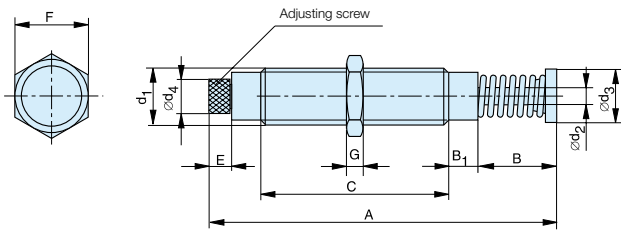
¹⁾ based on $\frac{2.5 \cdot W_3}{\text{stroke}}$

Order Instructions

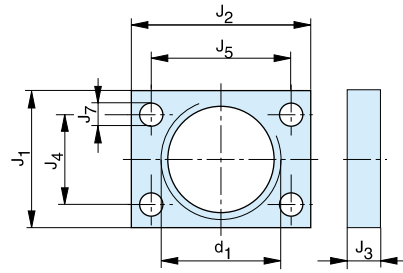
Product	Order Instructions	Order No.
	Type	
Shock absorber, stroke 25.4 mm	SALD 1/2 x 1 M	7841FIL
Shock absorber, stroke 50.8 mm	SALD 1/2 x 2 M	7842FIL
Rectangular flange	RF 1/2-M	7843FIL
Additional mounting nut	LN 1/2-M	7838FIL

Dimensions (mm) – Shock Absorbers

Type: SALD 1/2 x 1M, SALD 1/2 x 2M



Dimensions (mm) – Rectangular Flange



Dimensions Table (mm)

Type	A	B	B ₁	C	d ₁	ød ₂	ød ₃	ød ₄	E	F	G	J ₁	J ₂	J ₃	J ₅	øJ ₆	øJ ₇
SALD 1/2 x 1 M	165.1	23.8	6	100	M36x1,5	9.5	25.4	22.5	14.7	41.3	6.7	41	54	9.5	28	42	7
SALD 1/2 x 2 M	215.9	49.2	6	134	M36x1,5	9.5	25.4	22.5	14.7	41.3	6.7	41	54	9.5	28	42	7

Series SA

SA 1/2 x 1

SA 1/2 x 2

Basic Version with:

- 1 mounting nut

Type: Adjustable

Accessories:

- Stop collar
- Rectangular flange
- Soft pad
- Foot mounting



Energy Capacity

Type	Stroke (mm)	Effective Mass (kg)		Max. Energy Capacity (Nm)	
		Min.	Max.	per stroke W_3	per hour W_4
SA 1/2 x 1	25.4	4.5	1225	153	84700
SA 1/2 x 2	50.8	9.5	2450	305	98300

Technical Data

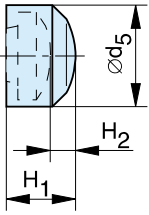
Characteristics	Unit	Comments
Impact Velocity	m/s	0.3 - 4.5
Operating temperature range	°C	-12 to 80
Installation		In any position
Force of internal return spring	N	SA 1/2 x 1: 36 - 82 SA 1/2 x 2: 36 - 128
Max. deviation of impacting force from centre axis of shock absorber		±5°
Weight (mass)	kg	SA 1/2 x 1: 0.627 SA 1/2 x 2: 0.8
Min. mounting strength required	N	13300 ¹⁾
Materials		
Body	Steel, black oxide finish	
Piston Rod	Steel, hardened, ground, hard-chrome plated	
Accessories	Steel, black oxide finish or aluminium, anodized	

¹⁾ based on $\frac{2.5 \cdot W_3}{\text{stroke}}$

Order Instructions

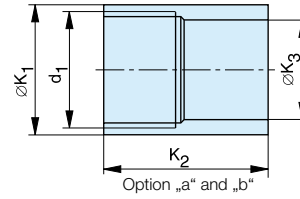
Product	Order Instructions Type	Order No.
Shock absorber; stroke 25.4 mm	SA 1/2 x 1	7970FIL
Shock absorber; stroke 50.8 mm	SA 1/2 x 2	7975FIL
Soft pad	SP 1/2	7974FIL
Stop collar option a – for rear mounting	SC 1/2A	7971FIL
Stop collar option b – for front mounting	SC 1/2B	7977FIL
Rectangular flange	RF 1/2	7972FIL
Foot mounting	FM 1/2	7973FIL
Additional mounting nut	LN 1/2	7979FIL

**Dimensions (mm)-
 Soft pad**



Note:
 Cannot be used with stop collar.

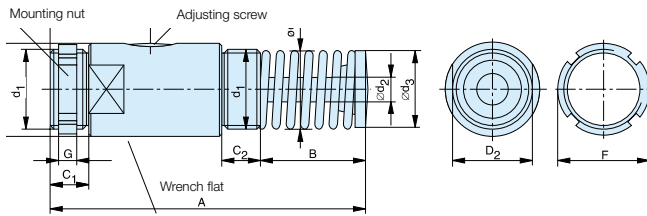
**Dimensions (mm) -
 Stop collar**



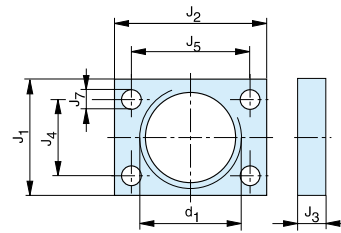
Option "a" - for rear mounting
 Option "b" - for front mounting

Dimensions (mm) – Shock Absorbers

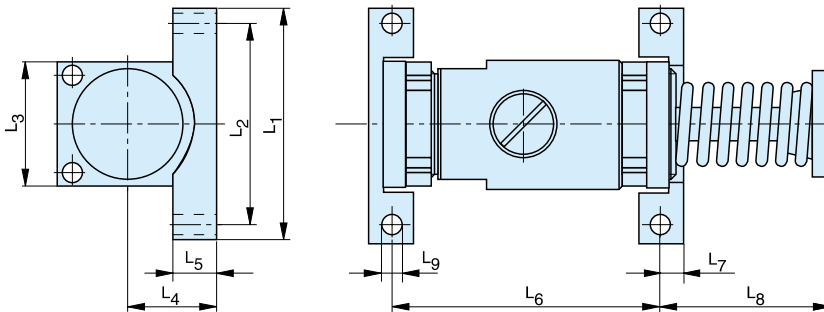
Type: SA 1/2 x 1, SA 1/2 x 2



Dimensions (mm) – Rectangular Flange



Dimensions (mm) – Foot Mounting



Dimensions Table (mm)

Type	A	B	C ₁	C ₂	∅D ₁	D ₂	d ₁	∅d ₂	∅d ₃	∅d ₅	∅d ₆	E	F	G	H ₁	H ₂	J ₁	J ₂
SA 1/2 x 1	138.1	55.5	16	16	38	35	M33x1.5	9.5	25.4	31.8	25.4	41.3	38	6.4	19.1	11.2	41	54
SA 1/2 x 2	189	81	16	16	38	35	M33x1.5	9.5	25.4	31.8	25.4	41.3	38	6.4	19.1	11.2	41	54

Type	J ₃	J ₄	J ₅	J ₇	∅K ₁	K ₂ a	K ₂ b	∅K ₃	L ₁	L ₂	L ₃	L ₄	L ₅	L ₆	L ₇	L ₈	L ₉
SA 1/2 x 1	9.5	28	42	7	38.1	47.6	41.3	28.6	69.9	60.3	54	27	12.7	95.3	6.4	49.2	6
SA 1/2 x 2	9.5	28	42	7	38.1	47.6	41.3	28.6	69.9	60.3	54	27	12.7	120.7	6.4	74.6	6

Series SALD

SA 3/4 x 1
SA 3/4 x 2
SA 3/4 x 3

Basic Version with:

- 1 mounting nut

Type: Adjustable

Accessories:

- Stop collar
- Rectangular flange
- Square flange
- Soft pad
- Foot mounting



Energy Capacity

Type	Stroke (mm)	Effective Mass (kg)		Max. Energy Capacity (Nm)	
		Min.	Max.	per stroke W_3	per hour W_4
SA 3/4 x 1	25.4	9	8163	339	124300
SA 3/4 x 2	50.8	16	14500	678	146800
SA 3/4 x 3	76	23	20866	1017	180776

Technical Data

Characteristics	Unit	Comments
Impact Velocity	m/s	0.3 - 4.5
Operating temperature range	°C	-12 to 80
Installation		In any position
Force of internal return spring	N	Type: SA 3/4 x 1: 68 - 92 Type: SA 3/4 x 2: 44 - 92 Type: SA 3/4 x 3: 33 - 105
Max. deviation of impacting force from centre axis of shock absorber		±3°
Weight (mass)	kg	Type: SA 3/4 x 1: 1.44 Type: SA 3/4 x 2: 1.8 Type: SA 3/4 x 3: 2.24
Min. mounting strength required	N	29600 ¹⁾
Materials		
Body	Steel, black oxide finish	
Piston Rod	Steel, hardened, ground, hard-chrome plated	
Accessories	Steel, black oxide finish or aluminium, anodized	

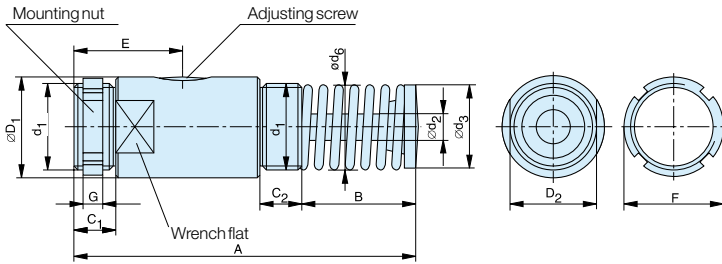
¹⁾ based on $\frac{2.5 \cdot W_3}{\text{stroke}}$

Order Instructions

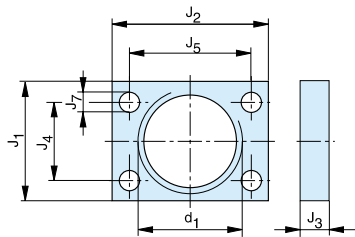
Product	Order Instructions	Order No.
	Type	
Shock absorber; stroke 25.4 mm	SA 3/4 x 1	7980FIL
Shock absorber; stroke 50.8 mm	SA 3/4 x 2	7985FIL
Shock absorber; stroke 76 mm	SA 3/4 x 3	7986FIL
Soft pad	SP 3/4	7984FIL
Stop collar option a – for rear mounting	SC 3/4 A	7981FIL
Stop collar option b – for front mounting	SA 3/4 B	7987FIL
Rectangular flange	RF 3/4	7982FIL
Square flange	SF 3/4	7988FIL
Foot mounting	FM 3/4	7983FIL
Additional mounting nut	LN 3/4	7989FIL

Dimensions (mm) – Shock Absorbers

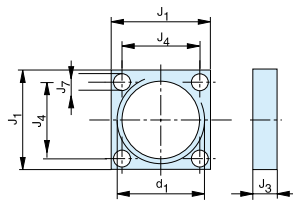
Type: SA 3/4 x 1, SA 3/4 x 2, SA 3/4 x 3



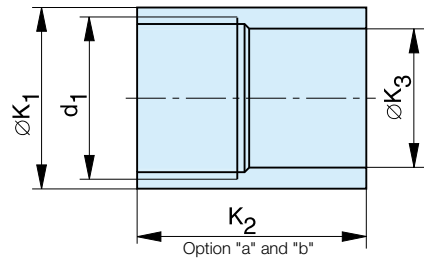
Dimensions (mm) – Rectangular Flange



Dimensions (mm) – Square Flange

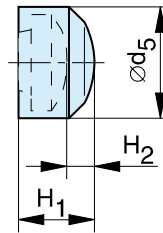


Dimensions (mm) - Stop Collar



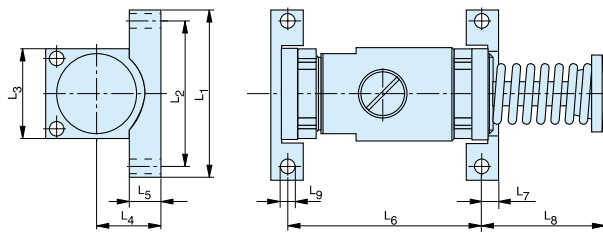
Option „a“ - for rear mounting
Option „b“ - for front mounting

Dimensions (mm) - Soft Pad



Note: Cannot be used by stop collar

Dimensions (mm) - Foot mounting



Dimensions Table (mm)

Type	A	B	C ₁	C ₂	øD ₁	D ₂	d ₁	ød ₂	ød ₃	ød ₅	ød ₆	E	F	G	H ₁	H ₂	J ₁	J ₂
SA 3/4 x 1	144.4	50	22.9	23	57.2	50	M42x1.5	12.8	38	44.5	34.7	47.2	57.2	9.5	25.4	17.5	57.2	76.2
SA 3/4 x 2	195.2	75.4	22.9	23	57.2	50	M42x1.5	12.8	38	44.5	34.7	59.5	57.2	9.5	25.4	17.5	57.2	76.2
SA 3/4 x 3	246	100.8	22.9	23	57.2	50	M42x1.5	12.8	38	44.5	38.1	72.6	57.2	9.5	25.4	17.5	57.2	76.2
Type	J ₃	J ₄	J ₅	J ₇	øK ₁	K _{2a}	K _{2b}	øK ₃	L ₁	L ₂	L ₃	L ₄	L ₅	L ₆	L ₇	L ₈	L ₉	
SA 3/4 x 1	12.7	41.3	60.3	8.7	57.2	49.2	39.7	41.2	95.3	76.2	57.2	28.6	14.3	85.7	9.5	52.3	8.7	
SA 3/4 x 2	12.7	41.3	60.3	8.7	57.2	49.2	39.7	41.2	95.3	76.2	57.2	28.6	14.3	111.1	9.5	77.6	8.7	
SA 3/4 x 3	12.7	41.3	60.3	8.7	57.2	49.2	39.7	41.2	95.3	76.2	57.2	28.6	14.3	136.5	9.5	103.2	8.7	

Series SA

SA 1-1/8 x 2

SA 1-1/8 x 4

SA 1-1/8 x 6

Basic Version with:

- 1 mounting nut

Type: Adjustable

Accessories:

- Stop collar
- Square flange
- Soft pad
- Foot mounting



Energy Capacity

Type	Stroke (mm)	Effective Mass (kg)		Max. Energy Capacity (Nm)	
		Min.	Max.	per stroke W_3	per hour W_4
SA 1-1/8 x 2	50.8	54	22680	1808	169478
SA 1-1/8 x 4	102	73	45360	3616	225970
SA 1-1/8 x 6	152	91	68040	5423	282463

Technical Data

Characteristics	Unit	Comments
Impact Velocity	m/s	0.3 - 4.5
Operating temperature range	°C	-12 to 80
Installation		In any position
Force of internal return spring	N	Type: SA 1-1/8 x 2: 80 - 151 Type: SA 1-1/8 x 4: 80 - 200 Type: SA 1-1/8 x 6: 80 - 187
Max. deviation of impacting force from centre axis of shock absorber		$\pm 3^\circ$
Weight (mass)	kg	Type: SA 1-1/8 x 2: 3.719 Type: SA 1-1/8 x 4: 5.035 Type: SA 1-1/8 x 6: 6.622
Min. mounting strength required	N	68000 ¹⁾
Materials		
Body		Steel, black oxide finish
Piston Rod		Steel, hardened, ground, hard-chrome plated
Accessories		Steel, black oxide finish or aluminium, anodized

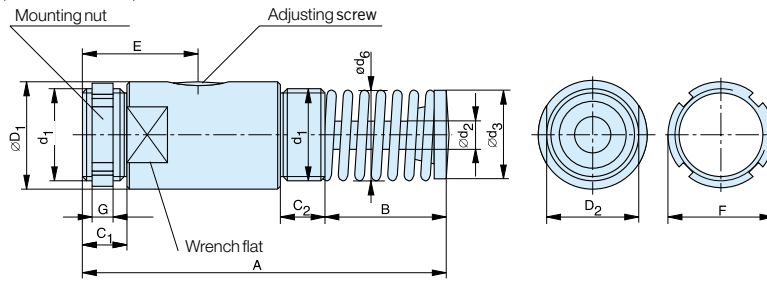
¹⁾ based on $\frac{2.5 \cdot W_3}{\text{stroke}}$

Order Instructions

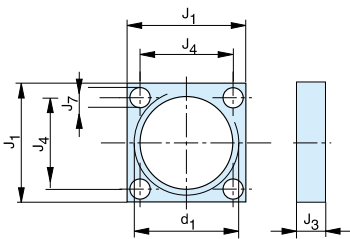
Product	Order Instructions	Order No.
	Type	
Shock absorber; stroke 50.8 mm	SA 1-1/8 x 2	7990FIL
Shock absorber; stroke 102 mm	SA 1-1/8 x 4	7995FIL
Shock absorber; stroke 152 mm	SA 1-1/8 x 6	7996FIL
Soft pad	SP 1-1/8	7994FIL
Square flange	SF 1-1/8	7998FIL
Foot mounting	FM 1-1/8	7993FIL
Additional mounting nut	LN 1-1/8	7999FIL
Stop collar option a – for SA 1-1/8 x 2, SA 1-1/8 x 4	SC 1-1/8 A	7991FIL
Stop collar option b – for SA 1-1/8 x 2, SA 1-1/8 x 4	SC 1-1/8 B	7997FIL
Stop collar option a – for SA 1-1/8 x 6	SC 1-1/8 A	7891FIL
Stop collar option b – for SA 1-1/8 x 6	SC 1-1/8 B	7897FIL

Dimension (mm) - Shock Absorbers

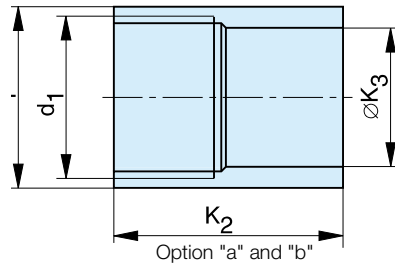
Type: SA 1-1/8 x 2, SA 1-1/8 x 4, SA 1-1/8 x 6



Dimensions (mm) - Square Flange

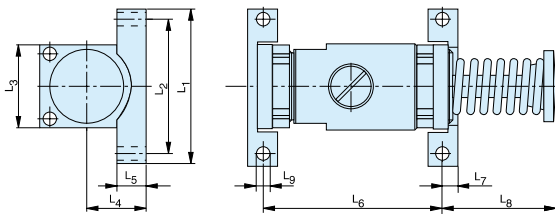


Dimensions (mm) - Stop Collar

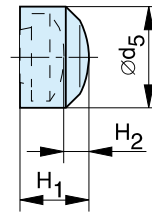


Option "a" - for rear mounting
Option "b" - for front mounting

Dimensions (mm) - Foot mounting



Dimensions (mm) - Soft Pad



Note: Cannot be used with stop collar.

Dimensions Table (mm)

Type	A	B	C ₁	C ₂	$\varnothing D_1$	D ₂	d ₁	$\varnothing d_2$	$\varnothing d_3$	$\varnothing d_5$	$\varnothing d_6$	E	F	G	H ₁	H ₂	J ₁
SA 1-1/8 x 2	225.6	85.9	26.2	26.2	76.2	69.9	M64x2	19.1	50.8	57.2	47.9	69.9	76.2	9.5	25.4	17.5	88.9
SA 1-1/8 x 4	327.2	136.7	26.2	26.2	76.2	69.9	M64x2	19.1	50.8	57.2	50.8	95.3	76.2	9.5	25.4	17.5	88.9
SA 1-1/8 x 6	450.9	209.6	26.2	26.2	76.2	69.9	M64x2	19.1	50.8	57.2	48.3	120.7	76.2	9.5	25.4	17.5	88.9
Type	J ₃	J ₄	J ₇	$\varnothing K_1$	K ₂ a	K ₂ b	$\varnothing K_3$	L ₁	L ₂	L ₃	L ₄	L ₅	L ₆	L ₇	L ₈	L ₉	
SA 1-1/8 x 2	15.9	69.9	10.3	76.2	62.7	50	60.3	142.9	123.8	88.9	44.5	19	127	14.3	90.5	10.3	
SA 1-1/8 x 4	15.9	69.9	10.3	76.2	62.7	50	60.3	142.9	123.8	88.9	44.5	19	177.8	14.3	141.3	10.3	
SA 1-1/8 x 6	15.9	69.9	10.3	76.2	84.9	72.2	60.3	142.9	123.8	88.9	44.5	19	228.5	14.3	214.3	10.3	

Series SA-A

SA-A 3/4 x 1

SA-A 3/4 x 2

SA-A 3/4 x 3

Basic Version with:

- 1 mounting nut

Type: Adjustable, without return spring, for use with external air-oil tank

Accessories:

- Air-oil tank, Type AOT-1
- Stop collar
- Rectangular flange
- Square flange
- Soft pad
- Foot mounting



Energy Capacity

Type	Stroke (mm)	Effective Mass (kg)		Max. Energy (Nm)	Capacity	
		Min.	Max.		per stroke W_3	per hour W_4
SA-A 3/4 x 1	25.4	27	3600	290		184000
SA-A 3/4 x 2	50.8	43	6350	600		230000
SA-A 3/4 x 3	76	55	9500	890		276000

Technical Data

Characteristics	Unit	Comments
Impact Velocity	m/s	0.3 - 4.5
Operating temperature range	°C	-12 to 80
Installation		In any position
Max. deviation of impacting force from centre axis of shock absorber		±5°
Weight (mass)	kg	Type: SA-A 3/4 x 1: 1.43 Type: SA-A 3/4 x 2: 1.79 Type: SA-A 3/4 x 3: 2.23
Min. mounting strength required	N	29600 ¹⁾
Materials		
Body		Steel, black oxide finish
Piston Rod		Steel, hardened, ground, hard-chrome plated
Accessories		Steel, black oxide finish or aluminium, anodized

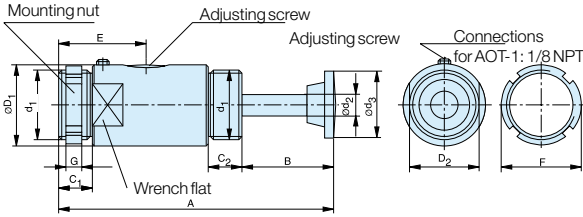
¹⁾ based on $\frac{2.5 \cdot W_3}{\text{stroke}}$

Order Instructions

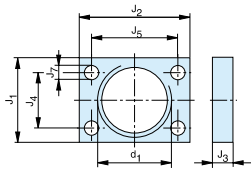
Product	Order Instructions No.	Order
	Type	
Shock absorber; stroke 25.4 mm	SA-A 3/4 x 1	7887FIL
Shock absorber; stroke 50.8 mm	SA-A 3/4 x 2	7888FIL
Shock absorber; stroke 76 mm	SA-A 3/4 x 3	7889FIL
Soft pad	SP-3/4	7984FIL
Square flange	SF-3/4	7988FIL
Rectangular flange	RF-3/4	7982FIL
Foot mounting	FM-3/4	7983FIL
Additional mounting nut	LN-3/4	7989FIL
Stop collar option a – for SA-A 3/4 x 1, SA-A 3/4 x 2, SA-A 3/4 x 3	SC-A 3/4	7981FIL
Stop collar option b – for SA-A 3/4 x 1, SA-A 3/4 x 2, SA-A 3/4 x 3	SC-B 3/4	7987FIL
Air-oil tank	AOT-1	7898FIL

Dimensions (mm) – Shock Absorbers for Connection to Air-Oil-Tank

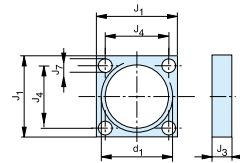
Type: SA-A 3/4 x 1, SA-A 3/4 x 2, SA-A 3/4 x 3



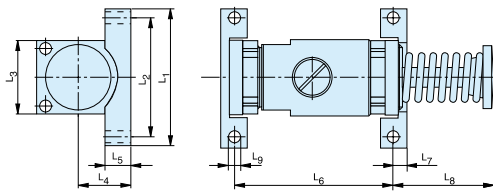
Dimensions (mm) – Rectangular Flange



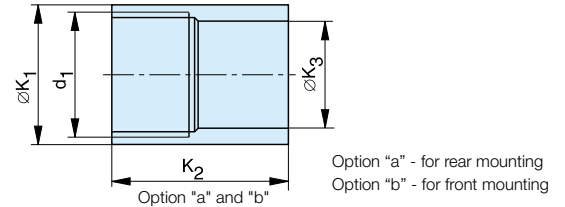
Dimensions (mm) – Square Flange



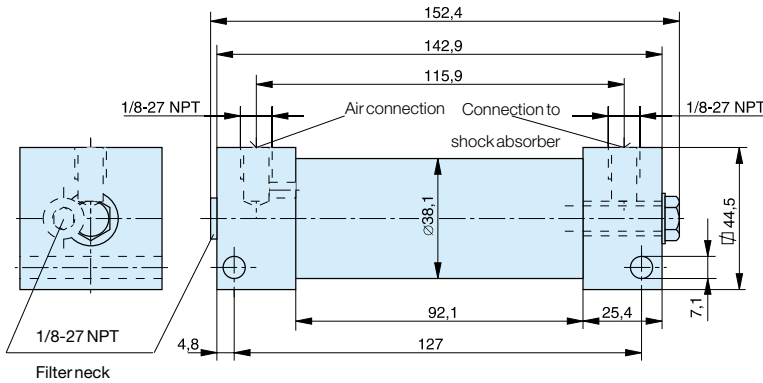
Dimensions (mm) – Foot mounting



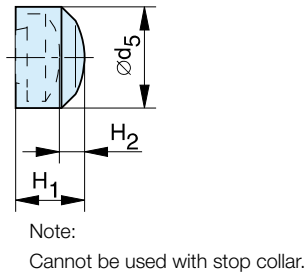
Dimensions (mm) - Stop Collar



Dimensions (mm) – Air-Oil-Tank Type AOT-1



Dimensions (mm) - Soft Pad



Dimensions Table (mm)

Type	A	B	C ₁	C ₂	øD ₁	D ₂	ød ₁	ød ₂	ød ₃	ød ₅	E	F	G	H ₁	H ₂	J ₁	J ₂
SA-A 3/4 x 1	144.4	50	22.9	23	57.2	50	M42x1.5	14.3	38	44.5	47.2	57.2	9.5	25.4	17.5	57.2	76.2
SA-A 3/4 x 2	195.2	75.4	22.9	23	57.2	50	M42x1.5	14.3	38	44.5	59.5	57.2	9.5	25.4	17.5	57.2	76.2
SA-A 3/4 x 3	246	100.8	22.9	23	57.2	50	M42x1.5	14.3	38	44.5	72.6	57.2	9.5	25.4	17.5	57.2	76.2

Type	J ₃	J ₄	J ₅	J ₇	øK ₁	K ₂ a	K ₂ b	øK ₃	L ₁	L ₂	L ₃	L ₄	L ₅	L ₆	L ₇	L ₈	L ₉
SA-A 3/4 x 1	12.7	41.3	60.3	8.7	57.2	49.2	39.7	41.2	95.3	76.2	57.2	28.6	14.3	85.7	9.5	52.3	8.7
SA-A 3/4 x 2	12.7	41.3	60.3	8.7	57.2	49.2	39.7	41.2	95.3	76.2	57.2	28.6	14.3	111.1	9.5	77.6	8.7
SA-A 3/4 x 3	12.7	41.3	60.3	8.7	57.2	49.2	39.7	41.2	95.3	76.2	57.2	28.6	14.3	136.5	9.5	103.2	8.7

Series SA-A

SA-A 1-1/8x2

SA-A 1-1/8x4

SA-A 1-1/8x6

Basic Version with:

- 1 mounting nut

Type: Adjustable, without return spring, for use with external air-oil tank

Accessories:

- Air-oil tank, Type AOT-3
- Stop collar
- Square flange
- Soft pad
- Foot mounting



Energy Capacity

Type	Stroke (mm)	Effective Mass (kg)		Max. Energy Capacity (Nm)	
		Min.	Max.	per stroke W_3	per hour W_4
SA-A 1-1/8x2	50.8	72	13000	1380	345000
SA-A 1-1/8x4	102	118	18200	2700	460000
SA-A 1-1/8x6	152	200	32000	4150	575000

Technical Data

Characteristics	Unit	Comments
Impact Velocity	m/s	0.3 - 4.5
Operating temperature range	°C	-12 to 80
Installation		In any position
Max. deviation of impacting force from centre axis of shock absorber		±5°
Weight (mass)	kg	Type: SA-A 1-1/8 x 2: 3.709 Type: SA-A 1-1/8 x 4: 5.025 Type: SA-A 1-1/8 x 6: 6.612
Min. mounting strength required	N	68000 ¹⁾
Materials		
Body	Steel, black oxide finish	
Piston Rod	Steel, hardened, ground, hard-chrome plated	
Accessories	Steel, black oxide finish or aluminium, anodized	

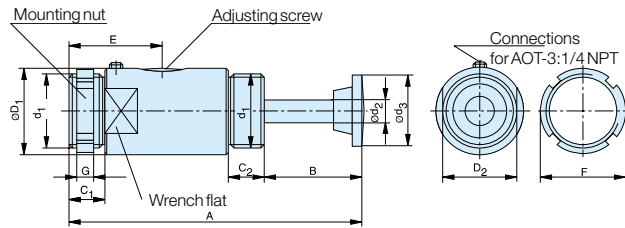
¹⁾ based on $\frac{2.5 \cdot W_3}{\text{stroke}}$

Order Instructions

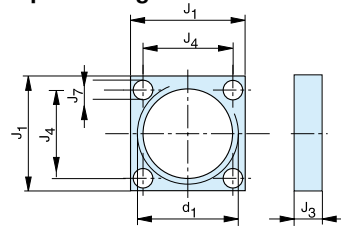
Product	Order Instructions Type	Order No.
Shock absorber; stroke 50.8 mm	SA-A 1-1/8 x 2	7880FIL
Shock absorber; stroke 102 mm	SA-A 1-1/8 x 4	7885FIL
Shock absorber; stroke 152 mm	SA-A 1-1/8 x 6	7886FIL
Soft pad	SP 1-1/8	7994FIL
Square flange	SF 1-1/8	7998FIL
Foot mounting	FM 1-1/8	7993FIL
Additional mounting nut	LN 1-1/8	7999FIL
Stop collar option a – SA-A 1-1/8 x 2, SA-A 1-1/8 x 4	SC 1-1/8 A	7991FIL
Stop collar option b – SA-A 1-1/8 x 2, SA-A 1-1/8 x 4	SC 1-1/8 B	7997FIL
Stop collar option a – SA-A 1-1/8 x 6	SC 1-1/8 A	7891FIL
Stop collar option b – SA-A 1-1/8 x 6	SC 1-1/8 B	7897FIL
Air-oil tank	AOT-3	7899FIL

Dimensions (mm) – Shock Absorber

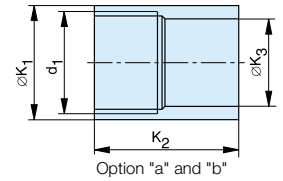
Type: SA-A 1-1/8 x 2, SA-A 1-1/8 x 4, SA-A 1-1/8 x 6



Dimensions (mm) Square Flange

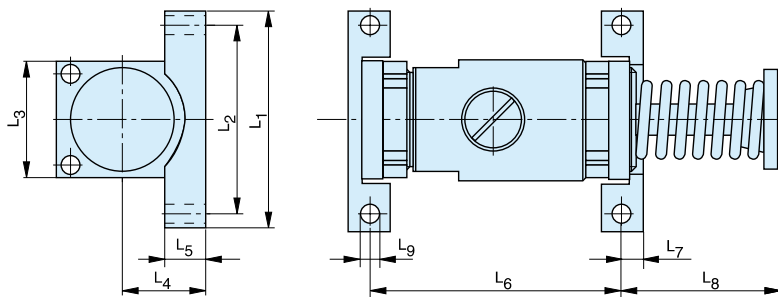


Dimensions (mm) Stop Collar

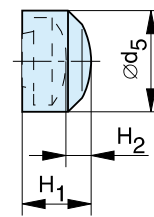


Option "a" - for rear mounting
 Option "b" - for front mounting

Dimensions (mm) – Foot mounting

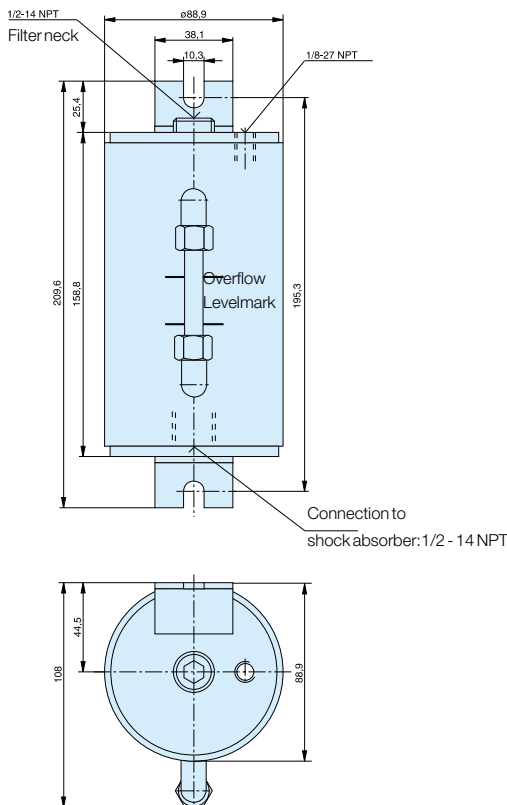


Dimensions (mm) - Soft Pad



Note:
 Cannot be used with stop collar.

Dimensions (mm) - Air-Oil-Tank AOT3



Dimensions Table (mm)

Type	A	B	C ₁	C ₂	ød ₁	D ₂	ød ₁	ød ₂	ød ₃
SA-A 1-1/8 x 2	225.6	85.9	26.2	26.2	76.2	69.9	M64x2	19.1	50.8
SA-A 1-1/8 x 4	327.2	136.7	26.2	26.2	76.2	69.9	M64x2	19.1	50.8
SA-A 1-1/8 x 6	450.9	209.6	26.2	26.2	76.2	69.9	M64x2	19.1	50.8
Type	ød ₅	E	F	G	H ₁	H ₂	J ₁	J ₃	J ₄
SA-A 1-1/8 x 2	57.2	69.9	76.2	9.5	25.4	17.5	88.9	15.9	69.9
SA-A 1-1/8 x 4	57.2	95.3	76.2	9.5	25.4	17.5	88.9	15.9	69.9
SA-A 1-1/8 x 6	57.2	120.7	76.2	9.5	25.4	17.5	88.9	15.9	69.9
Type	J ₇	øK ₁	K _{2a}	K _{2b}	øK ₃	L ₁	L ₂	L ₃	L ₄
SA-A 1-1/8 x 2	10.3	76.2	62.7	50	60.3	142.9	123.8	88.9	44.5
SA-A 1-1/8 x 4	10.3	76.2	62.7	50	60.3	142.9	123.8	88.9	44.5
SA-A 1-1/8 x 6	10.3	76.2	84.9	72.2	60.3	142.9	123.8	88.9	44.5
Type	L ₅	L ₆	L ₇	L ₈	L ₉				
SA-A 1-1/8 x 2	14.3	127	14.3	90.5	10.3				
SA-A 1-1/8 x 4	14.3	177.8	14.3	141.3	10.3				
SA-A 1-1/8 x 6	14.3	228.5	14.3	214.3	10.3				

Shock absorbers are hydraulic units that assist in bringing a moving load to rest, quickly and safely, without rebound or backward movement.

They provide a constant linear deceleration with the lowest possible reaction force in the shortest possible stopping time.

- Compact and heavy duty versions
- High energy absorption
- Low return force
- Long service life
- Increases productivity
- Reduces maintenance



Operation information

Type	Self-compensating
Working temperature	
MC9 to MC 600	0 °C to +65 °C
SC925	-12 °C to +90 °C
MC33 to MC64	-12 °C to +70 °C

Sizing software available on separate CD : PDE2524TCUK-CD

For more information see www.parker.com/euro_pneumatic

MC 9 to MC 600 series

Stroke (mm)	Ø	Order code
5	M6 x 0,5	MC9M1B
5	M6 x 0,5	MC9M2B
5	M8 x 1	MC10MLB
5	M8 x 1	MC10MHB
6,6	M10 x 1	MC25ML
6,6	M10 x 1	MC25M
6,6	M10 x 1	MC25MH
10	M12 x 1	MC75M1
10	M12 x 1	MC75M2
10	M12 x 1	MC75M3
12,5	M14 x 1,5	MC150M
12,5	M14 x 1,5	MC150MH
12,5	M14 x 1,5	MC150MH2
12,5	M20 x 1,5	MC225M
12,5	M20 x 1,5	MC225MH
12,5	M20 x 1,5	MC225MH2
25,4	M25 x 1,5	MC600M
25,4	M25 x 1,5	MC600MH
25,4	M25 x 1,5	MC600MH2

SC 925 series

Stroke (mm)	Ø	Order code
40	M25 x 1,5	SC925M1
40	M25 x 1,5	SC925M2
40	M25 x 1,5	SC925M3

Accessories

Stop collar

Series	Order code
MC9M	AH6
MC10M	AH8
MC25M	AH10
MC75M	AH12
MC150M	AH14
MC225M	AH20
MC600M	AH25
SC925M	

Clamp

Series	Order code
MC9M	MB6
MC10M	MB8
MC25M	MB10
MC75M	MB12
MC150M	MB14
MC225M	MB20
MC600M	MB25
SC925M	

Side load adaptor

Series	Order code
MC10M	BV8
MC25M	BV10
MC75M	BV12
MC150M	BV14
MC225M	BV20
MC600M	BV25
SC925M	

Accessories

Rectangular flange

Series	Order code
MC9M	RF6
MC10M	RF8
MC25M	RF10
MC75M	RF12
MC150M	RF14
MC225M	RF20
MC600M SC925M	RF25



Lock nut

Series	Order code
MC9M	KM6
MC10M	KM8
MC25M	KM10
MC75M	KM12
MC150M	KM14
MC225M	KM20
MC600M	KM25



MC33 to MC64

Stroke (mm)	Ø	Order code
25	M33 x 1,5	MC3325M1
50	M33 x 1,5	MC3350M1
25	M45 x 1,5	MC4525M1
50	M45 x 1,5	MC4550M1
75	M45 x 1,5	MC4575M1
50	M64 x 2	MC6450M1
100	M64 x 2	MC64100M1
150	M64 x 2	MC64150M1



Accessories

Locking ring

Series	Order code
MC33	NM33
MC45	NM45
MC64	NM64



Nylon button

Series	Order code
MC33	PP33
MC45	PP45
MC64	PP64



Square flange

Series	Order code
MC33	QF33
MC45	QF45
MC64	QF64



Side foot mounting kit

Series	Order code
S33	
MC4525M, MC4550M & MC4575M	S45
MC6450M, MC64100M & MC64150M	S64



Clevis mounting kit

Series	Order code
C33	
MC45	C45
MC64	C64



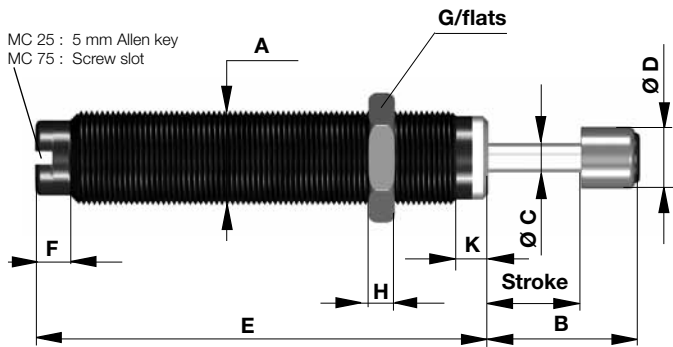
Female fitting

Series	Order code
MC33	P1C-4KMC
MC45	P1C-4MMC
MC64	P1C-4PMC

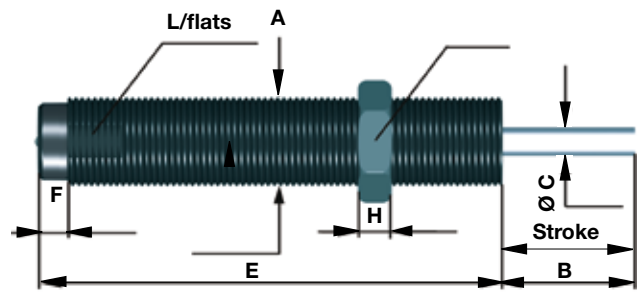


Dimensions (mm)

Series MC9M to MC75M

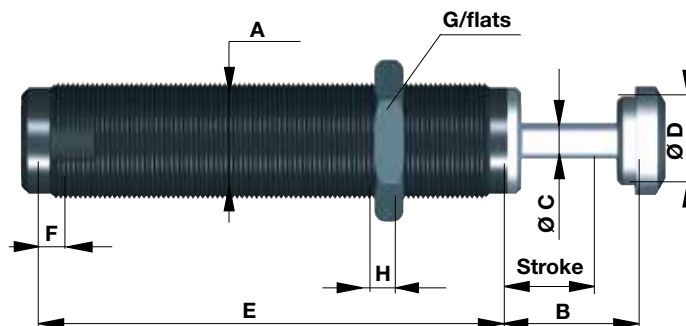


Series MC150M to MC600M



Part No	Stroke (mm)	A	B	C	D	E	F	G	H	K	L
MC9M1B	5	M6 x 0,5	10	2	4,8	26	2,5	8	2,5	1	-
MC9M2B	5	M6 x 0,5	10	2	4,8	26	2,5	8	2,5	1	-
MC10MLB	5	M8 x 1	10	2	6,4	28,5	5	11	3	2	-
MC10MHB	5	M8 x 1	10	2	6,4	28,5	5	11	3	2	-
MC25ML	6,6	M10 x 1	14,6	3,2	7,6	43,4	5	13	3	5	-
MC25M	6,6	M10 x 1	14,6	3,2	7,6	43,4	5	13	3	5	-
MC25MH	6,6	M10 x 1	14,6	3,2	7,6	43,4	5	13	3	5	-
MC75M1	10	M12 x 1	18	3,2	7,6	52	5	14	4	3	-
MC75M2	10	M12 x 1	18	3,2	7,6	52	5	14	4	3	-
MC75M3	10	M12 x 1	18	3,2	7,6	52	5	14	4	3	-
MC150M	12,5	M14 x 1,5	17,5	4,8	-	70	8,5	17	5	-	12
MC150MH	12,5	M14 x 1,5	17,5	4,8	-	70	8,5	17	5	-	12
MC150MH2	12,5	M14 x 1,5	17,5	4,8	-	70	8,5	17	5	-	12
MC225M	12,5	M20 x 1,5	17,5	6,3	-	80	8,5	24	6	-	18
MC225MH	12,5	M20 x 1,5	17,5	6,3	-	80	8,5	24	6	-	18
MC225MH2	12,5	M20 x 1,5	17,5	6,3	-	80	8,5	24	6	-	18
MC600M	25,4	M25 x 1,5	32	8	-	111	9	30	8	-	23
MC600MH	25,4	M25 x 1,5	32	8	-	111	9	30	8	-	23
MC600MH2	25,4	M25 x 1,5	32	8	-	111	9	30	8	-	23

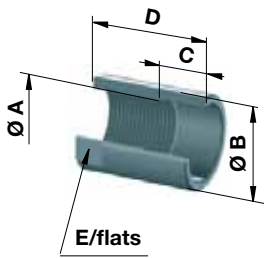
Series SC925



Part No	Stroke (mm)	A	B	C	D	E	F	G	H
SC925M1	40	M25 x 1,5	51	6,3	23	138	7	30	8
SC925M2	40	M25 x 1,5	51	6,3	23	138	7	30	8
SC925M3	40	M25 x 1,5	51	6,3	23	138	7	30	8

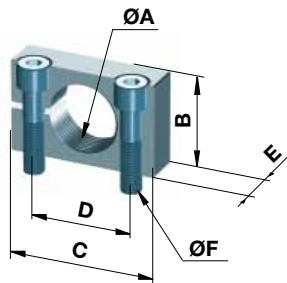
Dimensions (mm)

Stop collar



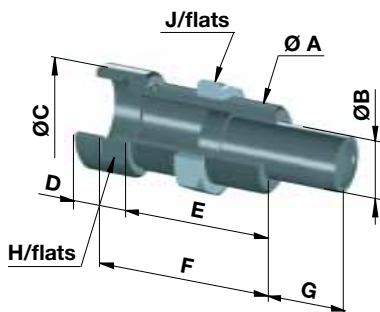
Part No	Used with series	ØA	ØB	C	D	E
AH6	MC9M	M 6 x 0,5	8	6	12	-
AH8	MC10M	M 8 x 1	11	6	12	-
AH10	MC25M	M 10 x 1	14	10	20	-
AH12	MC75M	M 12 x 1	16	10	20	-
AH14	MC150M	M 14 x 1,5	18	12	20	15
AH20	MC225M	M 20 x 1,5	25	12	25	22
AH25	MC600M	M 25 x 1,5	32	16	32	27
	SC925M	M 25 x 1,5	32	16	32	27

Clamp



Part No	Used with series	ØA	B	C	D	E	ØF
MB6	MC9M	M 6 x 0,5	10	20	12	8	M3
MB8	MC10M	M 8 x 1	12	25	16	10	M4
MB10	MC25M	M 10 x 1	14	25	16	10	M4
MB12	MC75M	M 12 x 1	16	32	20	12	M5
MB14	MC150M	M 14 x 1,5	20	32	20	12	M5
MB20	MC225M	M 20 x 1,5	25	40	28	20	M6
MB25	MC600M	M 25 x 1,5	32	46	34	25	M6
	SC925M	M 25 x 1,5	32	46	34	25	M6

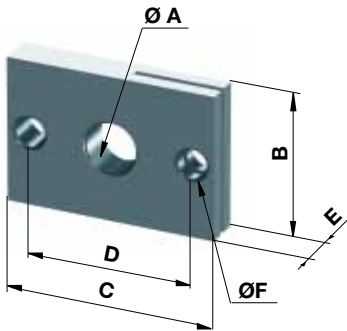
Side load adaptor



Part No	Used with series	ØA	ØB	ØC	D	E	ØF	G	H	J
BV8	MC10M	M 8 x 1	4	11	10	10	12	5	9	11
BV10	MC25M	M 10 x 1	6	13	11	12	15	6,5	11	13
BV12	MC75M	M 12 x 1	7	15	12	18	22	10	14	14
BV14	MC150M	M 14 x 1,5	9	18	12	20	24	12,5	16	17
BV20	MC225M	M 20 x 1,5	12	24	14	20	24	12,5	22	24
BV25	MC600M	M 25 x 1,5	16	30	16	38	44	25	27	30
	SC925M	M 25 x 1,5	16	30	16	38	44	25	27	30

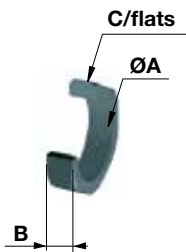
Dimensions (mm)

Rectangular flange



Part No	Used with series	ØA	B	C	D	E	ØF
RF6	MC9M	M 6 x 0,5	10	20	14	5	3,4
RF8	MC10M	M 8 x 1	14	25	18	6	4,5
RF10	MC25M	M 10 x 1	14	28	20	6	4,5
RF12	MC75M	M 12 x 1	20	32	24	6	5,5
RF14	MC150M	M 14 x 1,5	20	34	26	6	5,5
RF20	MC225M	M 20 x 1,5	32	46	36	8	6,5
RF25	MC600M	M 25 x 1,5	32	52	42	8	6,5
	SC925M	M 25 x 1,5	32	52	42	8	6,5

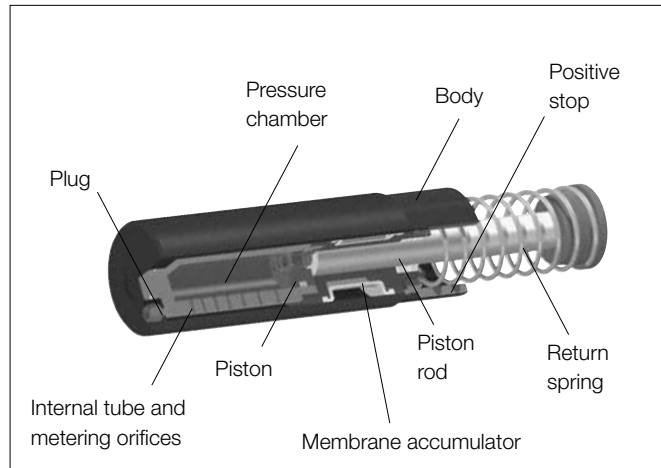
Lock nut



Part No	Used with series	A	B	C
KM6	MC9M	M6 x 0,5	2,5	8
KM8	MC10M	M 8 x 1	3	11
KM10	MC25M	M 10 x 1	3	13
KM12	MC75M	M 12 x 1	4	14
KM14	MC150M	M 14 x 1,5	5	17
KM20	MC225M	M 20 x 1,5	6	24
KM25	MC600M	M 25 x 1,5	8	30
	SC925M	M 25 x 1,5	8	30

Dimensions (mm)

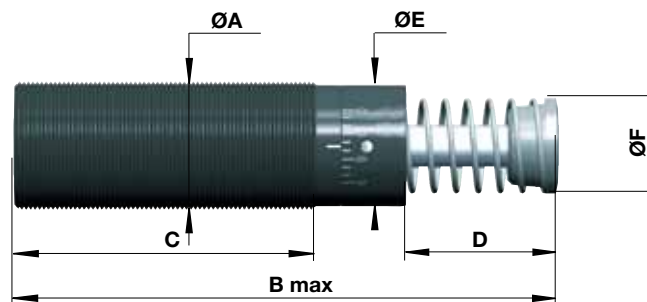
Series MC33 to MC64



Series	MC3325M	MC3350M	MC4525M	MC4550M	MC4575M	MC6450M	MC64100M	MC64150M
Thread (mm)	M33 x 1,5	M33 x 1,5	M45 x 1,5	M45 x 1,5	M45 x 1,5	M64 x 2	M64 x 2	M64 x 2
Type	Self-compensating							
Mechanical stop	Built-in end of stroke							
Impact velocity (m/s)	0,15 to 5							
Stroke (mm)	25	50	25	20	75	50	100	150
Max. capacity per cycle (Nm)	155	310	340	680	1020	1700	3400	5100
Temperature (°C)	- 12 to 70							

Dimensions (mm)

Series MC33 to MC64

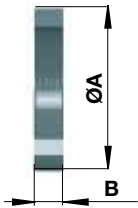


For the 3 ranges of effective weight

Part No	Stroke (mm)	A	B	C	D	E	F
MC3325M	25	M33 x 1,5	138	83	23	30	25
MC3350M	50	M33 x 1,5	189	108	48,5	30	25
MC4525M	25	M45 x 1,5	145	95	23	42	35
MC4550M	50	M45 x 1,5	195	120	48,5	42	35
MC4575M	75	M45 x 1,5	246	145	74	42	35
MC6450M	50	M64 x 2	225	140	48,5	60	48
MC64100M	100	M64 x 2	326	191	99,5	60	48
MC64150M	150	M64 x 2	450	241	150	60	48

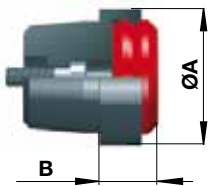
Dimensions (mm)

Locking Ring



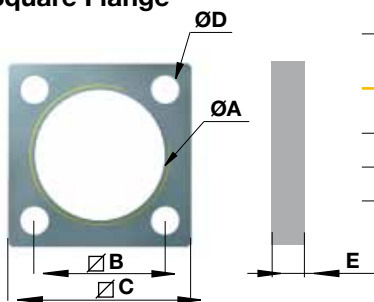
Part No	Used with series	ØA	B
NM33	MC3325M & MC3350M	40	6
NM45	MC4525M & MC4550M & MC4575M	57	10
NM64	MC6450M & MC64100M & MC64150M	76	10

Nylon Button



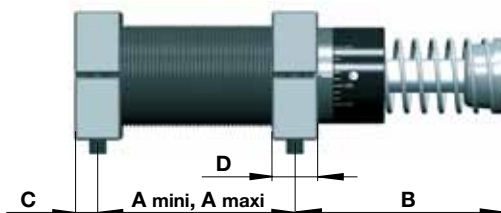
Part No	Used with series	ØA	B
PP33	MC3325M & MC3350M	29	12
PP45	MC4525M & MC4550M & MC4575M	42	18
PP64	MC6450M & MC64100M & MC64150M	60	18

Square Flange

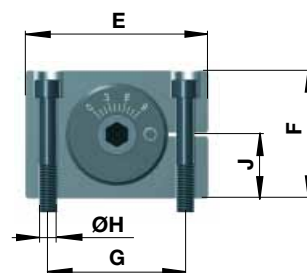


Part No	Used with series	ØA	ØD	∅B	∅C	E
QF33	MC3325M & MC3350M	M33 x 1,5	6,6	32	44	12
QF45	MC4525M & MC4550M & MC4575M	M45 x 1,5	9	42	56	15
QF64	MC6450M & MC64100M & MC64150M	M64 x 2	11	58	80	20

Side foot Mounting Kit



- S33** = 2 flanges + 4 screws M6 x40
- S45** = 2 flanges + 4 screws M8 x50
- S64** = 2 flanges + 4 screws M10 x80

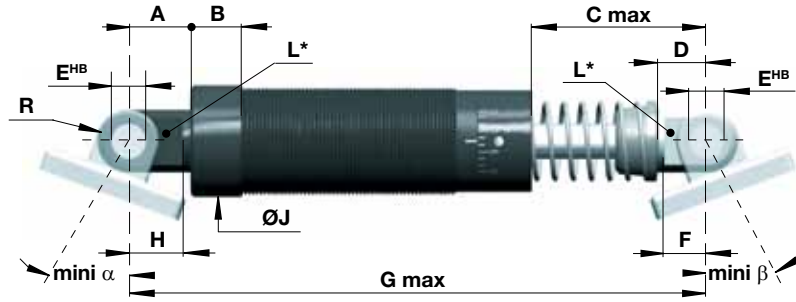


- Tightening torque**
- S33** = 11 Nm **S45** = 27 Nm **S64** = 50 Nm

- Removing torque**
- S33** > 90 Nm **S45** > 350 Nm **S64** > 350Nm

Part No	Used with series	A mini	A maxi	B	C	D	E	F	G	ØH	J
S33	MC3325M	25	60	68	10	20	56	40	42	6,6	20
S33	MC3350M	32	86	93	10	20	56	40	42	6,6	20
S45	MC4525M	32	66	66	12,5	25	80	56	60	9	28
S45	MC4550M	40	92	91	12,5	25	80	56	60	9	28
S45	MC4575M	50	118	116	12,5	25	80	56	60	9	28
S64	MC6450M	50	112	100	12,5 ²	25	100	80	78	11	40
S64	MC64100M	64	162	152	12,5	25	100	80	78	11	40
S64	MC64150M	80	212	226	12,5	25	100	80	78	11	40

Dimensions (mm)

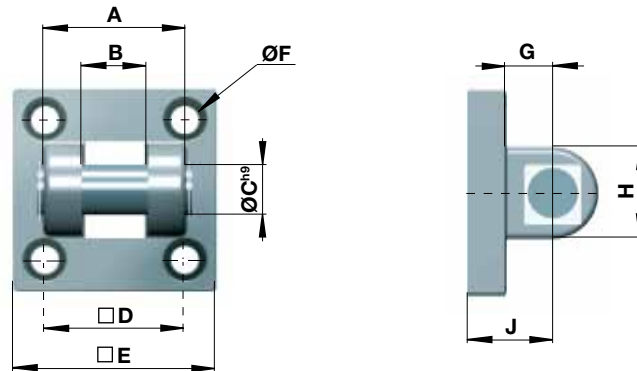


S33 =
 S45 = 2 clevis shipped fitted onto shock absorber
 S64 =

Part No	Used with series	A	B	Cmax	D	E ^{HB}	F	G max	H	ØJ	L*	R	mini α	mini β
C33	MC3325M	14	14	39	14	10	13	168	13	38	13	10	20°	0°
C33	MC3350M	14	14	64	14	10	13	218	13	38	13	10	20°	0°
C45	MC4525M	28	20	43	18	16	17	200	20	53	20	14	15°	15°
C45	MC4550M	28	20	68	18	13	17	250	20	53	20	14	15°	15°
C45	MC4575M	28	20	93	18	13	17	300	20	53	20	14	15°	15°
C64	MC6450M	35	25	85	35	20	30	310	30	74	24	20	20°	10°
C64	MC64100M	35	25	136	35	20	30	410	30	74	24	20	20°	10°
C64	MC64150M	35	25	187	35	20	30	530	30	74	24	20	20°	10°

L* indicates the width of front and rear clevis

Female Fitting



Supplied with 4 mounting screws

Part No	Used with series	A	B	ØC ¹⁹	□ D	□ E	Ø F	G	H	J
P1C-4KMC	MC3325M, MC3350M	34	14	10	32	48	7	13	23	22
P1C-4MMC	MC4525M, MC4550M, MC4575M	45	21	16	46	65	9	15	29	27
P1C-4PMC	MC6450M, MC64100M, MC64150M	65	25	20	72	95	11	22	45	36

Cylinder bore mm	Series	Stroke	Bore mm	Piston rod mm	Area cm ²	Max theoretical force in N										
						1.0 bar	2.0 bar	3.0 bar	4.0 bar	5.0 bar	6.0 bar	7.0 bar	8.0 bar	9.0 bar	10.0 bar	
10/4	P1A P1S	Double acting	+	10	4	0.8	8	15	23	31	39	46	54	62	69	77
			-	10	4	0.7	6	13	19	26	32	39	45	52	58	65
12/5	C05	Double acting	+	12	5	1.1	11	22	33	44	55	67	78	89	100	111
			-	12	5	0.9	9	18	28	37	46	55	64	73	83	92
12/6	P1A P1Q P1S	Double acting	+	12	6	1.1	11	22	33	44	55	67	78	89	100	111
			-	12	6	0.8	8	17	25	33	42	50	58	67	75	83
16/6	P1A P1S	Double acting	+	16	6	2.0	20	39	59	79	99	118	138	158	178	197
			-	16	6	1.7	17	34	51	68	85	102	119	136	153	170
16/8	P1Q	Double acting	+	16	8	2.0	20	39	59	79	99	118	138	158	178	197
			-	16	8	1.5	15	30	44	59	74	89	104	118	133	148
20/8	P1A P1S	Double acting	+	20	8	3.1	31	62	92	123	154	185	216	247	277	308
			-	20	8	2.6	26	52	78	104	129	155	181	207	233	259
20/10	C05 P1Q P5T	Double acting	+	20	10	3.1	31	62	92	123	154	185	216	247	277	308
			-	20	10	2.4	23	46	69	92	116	139	162	185	208	231
25/10	P1A P1Q P1S P5T	Double acting	+	25	10	4.9	48	96	144	193	241	289	337	385	433	482
			-	25	10	4.1	40	81	121	162	202	243	283	324	364	405
32/12	C05 P1D P1P P1Q P1S P1D-B P1D-C P1D-X	Double acting	+	32	12	8.0	79	158	237	316	394	473	552	631	710	789
			-	32	12	6.9	68	136	203	271	339	407	475	542	610	678
			+	32	12	8.0	80	161	241	322	402	483	563	643	724	804
			-	32	12	6.9	69	138	207	276	346	415	484	553	622	691
			+	32	12	8.0	80	161	241	322	402	483	563	643	724	804
			-	32	12	6.9	69	138	207	276	346	415	484	553	622	691
32/16	P5T	Double acting	+	32	16	8.0	79	158	237	316	394	473	552	631	710	789
			-	32	16	6.0	59	118	178	237	296	355	414	473	533	592
40/16	P1D P1D-C	Double acting	+	40	16	12,6	126	251	377	503	628	754	880	1005	1131	1257
			-	40	16	10,6	106	212	318	424	530	636	742	848	954	1060
40/12	P1P	Double acting	+	40	12	12,6	123	247	370	493	616	740	863	986	1109	1233
			-	40	12	11,4	112	224	337	449	561	673	785	897	1010	1122
40/16	P1Q P1D-B P1D-C P1D-X	Double acting	+	40	16	12,6	123	247	370	493	616	740	863	986	1109	1233
			-	40	16	10,6	104	207	311	414	518	621	725	828	932	1036
			+	40	16	12,6	126	251	377	503	628	754	880	1005	1131	1257
			-	40	16	10,6	106	212	318	424	530	636	742	848	954	1060
50/16	C05 P1P	Double acting	+	50	16	19,6	193	385	578	770	963	1156	1348	1541	1734	1926
			-	50	16	17,6	173	346	519	692	865	1037	1210	1383	1556	1729
50/20	P1D P1Q P1S P5T P1D-B P1D-C P1D-X	Double acting	+	50	20	19,6	193	385	578	770	963	1156	1348	1541	1734	1926
			-	50	20	16,5	162	324	485	647	809	971	1133	1295	1456	1618
			+	50	20	19,6	196	393	589	785	982	1178	1374	1571	1767	1963
			-	50	20	16,5	165	330	495	660	825	990	1155	1319	1484	1649

Cylinder bore mm	Series	Stroke	Bore mm	Piston rod mm	Area cm ²	Max theoretical force in N										
						1.0 bar	2.0 bar	3.0 bar	4.0 bar	5.0 bar	6.0 bar	7.0 bar	8.0 bar	9.0 bar	10.0 bar	
63/16	C05 P1P	Double acting	+	63	16	31.2	306	612	917	1223	1529	1835	2141	2446	2752	3058
			-	63	16	29.2	286	572	858	1144	1430	1717	2003	2289	2575	2861
63/20	P1D P1Q P1S P5T P1D-B P1D-C P1D-X	Double acting	+	63	20	31.2	306	612	917	1223	1529	1835	2141	2446	2752	3058
			-	63	20	28.0	275	550	825	1100	1375	1650	1925	2200	2475	2750
			+	63	20	31,2	312	623	935	1247	1559	1870	2182	2494	2806	3117
			-	63	20	28,0	280	561	841	1121	1402	1682	1962	2242	2523	2803
			+	80	25	50.3	493	986	1479	1972	2466	2959	3452	3945	4438	4931
			-	80	25	45.4	445	890	1335	1780	2225	2670	3115	3560	4005	4450
80/25	P1D P1Q P1S P5T P1D-B P1D-C P1D-X	Double acting	+	80	25	50.3	503	1005	1508	2011	2513	3016	3519	4021	4524	5027
			-	80	25	45.4	454	907	1361	1814	2268	2721	3175	3629	4082	4536
			+	84	20	55.4	544	1087	1631	2175	2718	3262	3806	4349	4893	5436
			-	84	20	52.3	513	1026	1539	2051	2564	3077	3590	4103	4616	5128
			+	100	25	78.5	770	1541	2311	3082	3852	4623	5393	6164	6934	7705
			-	100	25	73.6	722	1445	2167	2889	3612	4334	5056	5779	6501	7223
100/25	P1D P1Q P1S P5T P1D-B P1D-C P1D-X	Double acting	+	100	25	78.5	785	1571	2356	3142	3927	4712	5498	6283	7069	7854
			-	100	25	73,6	736	1473	2209	2945	3682	4418	5154	5890	6627	7363
			+	114	20	101.9	1000	2000	3000	4000	5000	6000	7001	8001	9001	10001
			-	114	20	98.8	969	1939	2908	3877	4846	5816	6785	7754	8724	9693
			+	125	32	122.7	1204	2408	3612	4815	6019	7223	8427	9631	10835	12039
			-	125	32	114.7	1125	2250	3375	4500	5625	6750	7875	9000	10125	11250
125/32	P1D P1S P1D-B P1D-C P1D-X	Double acting	+	125	32	122,7	1227	2454	3682	4909	6136	7363	8590	9817	11045	12272
			-	125	32	114,7	1147	2294	3440	4587	5734	6881	8027	9174	10321	11468
			+	161	25	203.9	2000	4000	6000	8000	10000	12000	14000	16000	18000	20000
			-	161	25	199.0	1952	3904	5856	7808	9759	11711	13663	15615	17567	19519
160/40	P1E P1D-T	Double acting	+	160	40	201.1	1972	3945	5917	7890	9862	11835	13807	15779	17752	19724
			+	160	40	201,0	2010	4019	6029	8038	10048	12058	14067	16077	18086	20096
			-	160	40	188,4	1884	3768	5652	7536	9420	11304	13188	15072	16956	18840
200/40	P1E	Double acting	+	200	40	314.2	3082	6164	9246	12328	15410	18491	21573	24655	27737	30819
			+	200	50	314,2	3142	6283	9425	12566	15708	18850	21991	25133	28274	31416
200/50	P1D-T	Double acting	-	200	50	294,5	2945	5891	8836	11781	14727	17672	20617	23562	26508	29453
			+	250	28	490.9	4815	9631	14446	19262	24077	28893	33708	38524	43339	48155
250/28	C0P2500	Double acting	-	250	28	484.7	4755	9510	14265	19020	23776	28531	33286	38041	42796	47551
			+	250	50	490,9	4909	9818	14726	19635	24544	29453	34362	39270	44179	49088
250/50	P1D-T	Double acting	-	250	50	471,3	4713	9425	14138	18850	23563	28275	32988	37700	42413	47125
			+	320	63	804,25	8043	16085	24128	32170	40213	48255	56298	64340	72383	80425
320/63	P1D-T	Double acting	-	320	63	773,1	7731	15462	23192	30923	38654	46385	54116	61846	69577	77308

+ = Outward stroke
- = Return stroke

Note!
Select a theoretical force 50-100% larger than the force required

The Force Guide is only for double acting cylinders, please look into the technical catalogue for every individual sigle acting cylinder to see the forces.

Note! For all single acting cylinders you have to reduce the force in the table with the spring force to get the theoretical force.
The spring force is not calculated to create any work, it is only to take the piston rod into the cylinder.



Handling Products



Handling Products

Comprising an innovative range of Universal Grippers, Rotary Actuators and Precision Slide Tables



Parker is about motion control engineering, manufacturing, application expertise and unparalleled customer service.

Parker automation products are found just about everywhere — from laboratories, cleanrooms and factory floors, to mines, foundries and satellites in space — our products are used anywhere machines, processes and people depend on reliable high-performance motion control.

Today's industrial automation applications demand the best in quality and productivity. Likewise, high-technology automation applications demand performance in quality throughput and precision.

P5GA - Angular double acting, square jaw carriers

The P5GA is a compact angular gripper with a closed angle of -10° and an open angle of +30°. With double acting mechanism the gripper is suitable for internal or external gripping applications. For flexible installation mounting is available on three sides and the anodised body has recessed sensor grooves.

- Bore sizes Ø12, 16, 20, 25 and 32mm
- Double acting
- Anodised corrosion protection
- Magnetic piston as standard
- Optional sensors

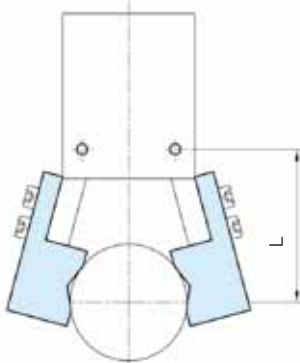


Technical Information						
Acting type	Double acting					
Bore (mm)	12	16	20	25	32	
Port size	M3 x 0.5		M5 x 0.8			
Medium	Air					
Operating pressure range	1.5 - 7 bar					
Temperature range	-5 to +60°C (no freezing)					
Max frequency	180 Cycles/min					
Lubrication	Cylinder	Not required				
Lever	Grease					
Max. arm length mm (L)	30	40	60	70	85	
Theoretical holding force kgf-cm						
	Closed side	0.4xP	0.9xP	1.7xP	3.4xP	6.1xP
	Opened side	0.5xP	1.2xP	2.3xP	4.4xP	8.1xP
Clamp / Release angle	-10 to +30°					
Clamping force (F)	$F = M / L \times 0.85$					
Weight (g)	53	103	193	327	525	
L : Arm length (mm), M : Theoretical moment (kgf-cm)						
F : Clamping force (kgf), P : Operating pressure (kgf/cm²)						
For more information see www.parker.com/euro_pneumatic						

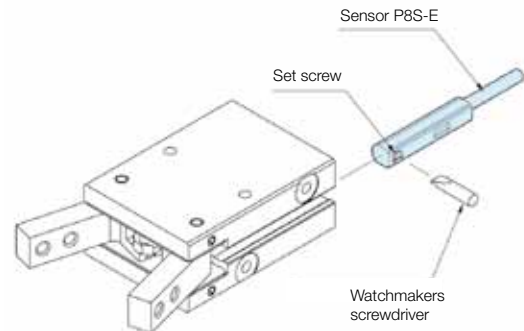
P5GA - Angular Grippers

Bore mm	Order code
12	P5GA-012MSG030B
16	P5GA-016MSG030B
20	P5GA-020MSG030B
25	P5GA-025MSG030B
32	P5GA-032MSG030B

Length of gripping point



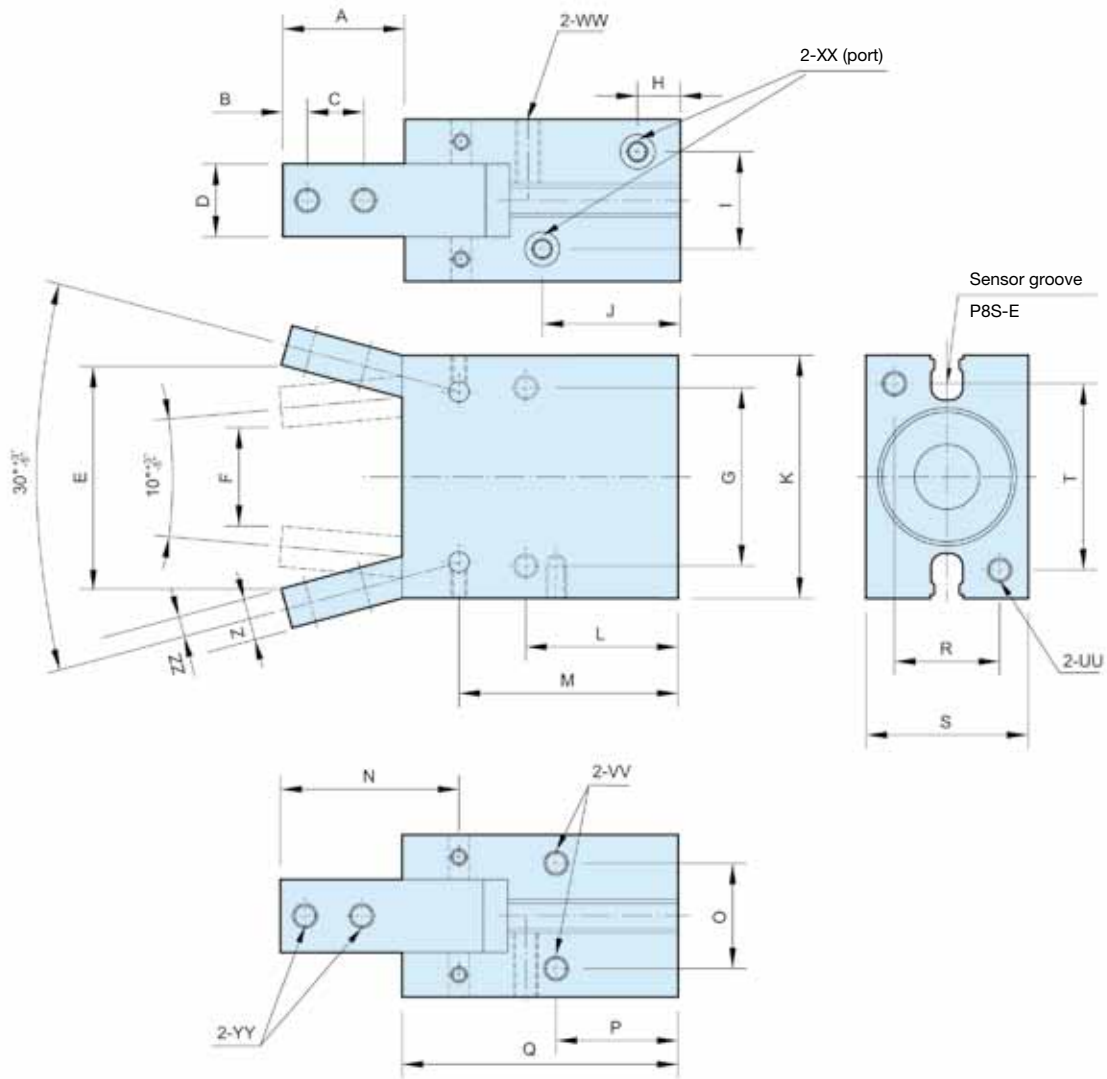
Installation of sensor



Sensors - Series P8S-E

Magnetic Sensor	M8 - Snap in	Flying lead
	0.165 m PUR cable with M8 connector	2 m PUR cable
PNP	P8S-EPSUS	P8S-EPFXS
NPN	P8S-ENSUS	P8S-ENFXS
Reed	P8S-ERSUS	P8S-ERFXS

Dimensions (mm)



Bore mm	A	B	C	D 0/-0.03	E	F	G	H	I	J	K	L	M	N	O	P	Q	R	S	T
12	15,4	3	6	7	26,3	9	20	7,5	10,2	23,5	28	20	32,9	21,5	10,2	16	39	10	16	22
16	17,5	3	8	9	31,1	14	24	7,5	12	22	34	22,5	35	25	14	18	42,5	14	22	26
20	22	4	10	12	40,1	18	30	8	13	25	45	25	39,5	32,5	16	19	50	16	26	35
25	26	5	12	14	47,9	21	36	8,5	18	28	52	28,5	45,5	38,5	20	21,5	58	20	32	40
32	30	6	14	18	55,1	24	44	10,5	24	34	60	37,5	54	44	26	30	68	26	40	46

Bore mm	UU	VV	WW	XX	YY	Z	ZZ
12	M3 x 5 depth	M3 x 5 depth	M3 x 5 depth	M3 x 5 depth	M3	5	2,5
16	M4 x 7 depth	M4 x 7 depth	M4 x 7 depth	M5 x 5 depth	M3	6	3
20	M5 x 8 depth	M5 x 8 depth	M5 x 8 depth	M5 x 5 depth	M4	7	3,5
25	M6 x 10 depth	M6 x 10 depth	M6 x 10 depth	M5 x 5 depth	M5	9	4
32	M6 x 10 depth	M6 x 10 depth	M6 x 10 depth	M5 x 5 depth	M6	10	5

P5GB - Parallel double acting, square jaw carriers

Available with a comprehensive range of bore sizes Ø12 - 32 mm the P5GB double acting parallel gripper is an accurate workpiece holding device. The anodised aluminium body has flexible installation mountings on three sides and recessed sensor grooves.

- Bore sizes Ø12, 16, 20, 25 and 32mm
- Double acting
- Anodised corrosion protection
- Magnetic piston as standard
- Optional sensors



P5GB - Parallel Grippers

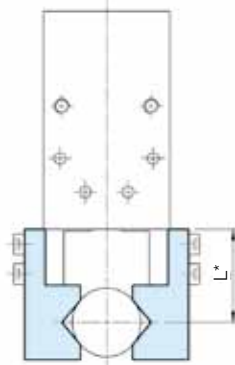
Bore mm	Order code
12	P5GB-012MSG006B
16	P5GB-016MSG008B
20	P5GB-020MSG012B
25	P5GB-025MSG014B
32	P5GB-032MSG016B

Technical Information

Acting type	Double acting					
Bore (mm)	12	16	20	25	32	
Port size	M3x0.5		M5 x 0.8			
Medium	Air					
Operating pressure range	1.5 - 7 bar					
Temperature range	-5 to +60°C (no freezing)					
Max frequency	180 Cycles/min					
Lubrication	Cylinder	Not required				
Lever	Grease					
Max. arm length mm (L)	30	40	60	70	85	
Theoretical holding force kgf-cm						
	Closed side	0.8	2.4	4.7	7.5	10
	Opened side	0.5	1.8	3.5	6.0	8.5
Lever open / closed stroke	6	8	12	14	16	
Weight (g)	66	144	255	419	719	

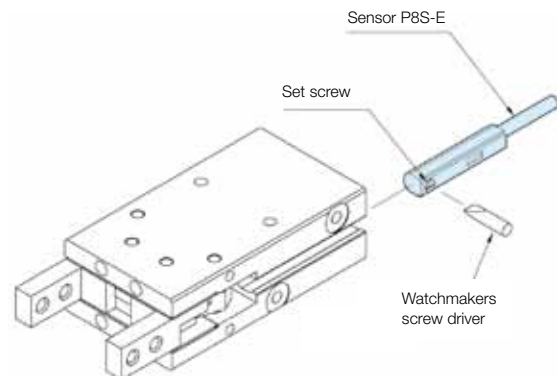
For more information see www.parker.com/euro_pneumatic

Length of gripping point



* L = gripping joint length 30mm, pressure 5kgf/cm²

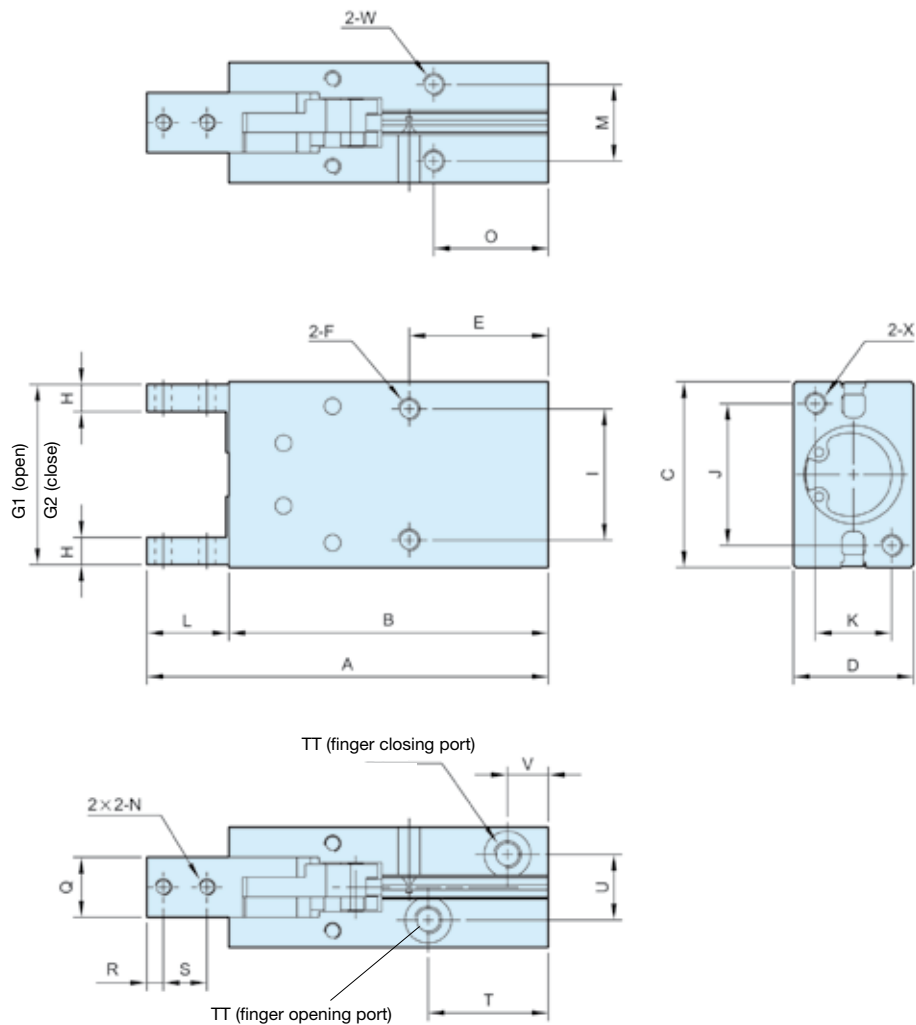
Installation of sensor



Sensors - Series P8S-E

Magnetic Sensor	M8 - Snap in	Flying lead
	0.165 m PUR cable with M8 connector	2 m PUR cable
PNP	P8S-EPSUS	P8S-EPFXS
NPN	P8S-ENSUS	P8S-ENFXS
Reed	P8S-ERSUS	P8S-ERFXS

Dimensions (mm)



Bore mm	A	B	C	D	E	F	G1	G2	H	I	J	K	L	M	N	O	Q 0/-0.03	R
12	63,5	50,5	28	16	20	M3 x 0.5 x 5 depth	27	21	4	18	17	10	13	10	M3 x 0.5	16	7	3
16	73,5	58,5	34	22	25,5	M4 x 0.7 x 11 depth	33	25	5	24	26	14	15	14	M3 x 0.5	21	11	3
20	88,5	69,5	45	26	25	M5 x 0.8 x 8 depth	44	32	6	30	35	16	19	16	M4 x 0.7	19	12	4
25	102,5	78,5	52	32	28	M6 x 1.0 x 10 depth	51	37	8	36	40	20	24	20	M5 x 0.8	22	14	5
32	120,5	90,5	60	40	34	M6 x 1.0 x 10 depth	59	43	10	44	46	24	30	26	M6 x 1.0	26	20	7

Bore mm	S	T	TT	U	V	W	X
12	6	23	M5 x 0.8 x 5 depth	10,2	7,5	M3 x 0.5 x 5 depth	M3 x 0.5 x 5 depth
16	8	22	M5 x 0.8 x 5 depth	12	7,5	M4 x 0.7 x 7 depth	M4 x 0.7 x 7 depth
20	10	26	M5 x 0.8 x 5 depth	13	8	M5 x 0.8 x 8 depth	M5 x 0.8 x 8 depth
25	12	29	M5 x 0.8 x 5 depth	18	8,5	M6 x 1.0 x 10 depth	M6 x 1.0 x 10 depth
32	15	35	M5 x 0.8 x 5 depth	24	10,5	M6 x 1.0 x 10 depth	M6 x 1.0 x 10 depth

P5GD - Parallel precision guided double acting, square jaw carriers

The P5GD is a parallel double acting gripper with integral linear guides that provide rigidity and high precision for the stainless steel jaw carriers. The anodised aluminium body has mounting points on four sides and integral sensors grooves.



- Bore sizes Ø10, 16, 20 and 25mm
- Double acting
- Stainless steel jaw carriers
- Anodised corrosion protection
- Magnetic piston as standard
- Optional sensors

Technical Information

Acting type	Double acting			
Bore (mm)	10	16	20	25
Port size	M3 x 0.5	M5 x 0.8		
Medium	Air			
Operating pressure range	2 to 7 bar		1 to 7 bar	
Temperature range	-10 to +60°C (no freezing)			
Repeatability	± 0.01 mm			
Max operating frequency	180 Cycles/min			
Lubrication	Not required			
Weight (g)	55	125	250	460

P5GD - Parallel Grippers

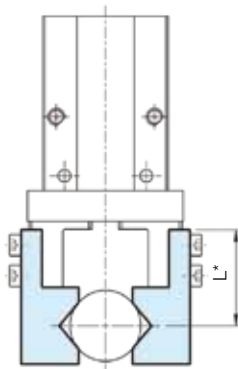
Bore mm	Order code
10	P5GD-010MSG004B
16	P5GD-016MSG006B
20	P5GD-020MSG010B
25	P5GD-025MSG014B

Bore	Gripping force ⁽¹⁾		Opening closing stroke (both sides) (mm)
	Gripping force per finger effective value N (kgf)		
10	External 9.8 (1)	Internal 17 (1.7)	4
16	30 (3.1)	40 (4.1)	6
20	42 (4.3)	66 (6.7)	10
25	65 (6.6)	104 (10.6)	14

⁽¹⁾ Values based on pressure of 0.5 MPa (5.1 kgf/cm²)

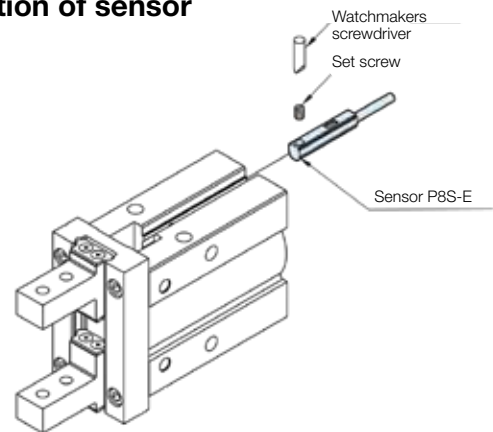
For more information see www.parker.com/euro_pneumatic

Length of gripping point



* L = Gripping point L = 20mm at center of stroke

Installation of sensor



Sensors - Series P8S-E

Magnetic Sensor

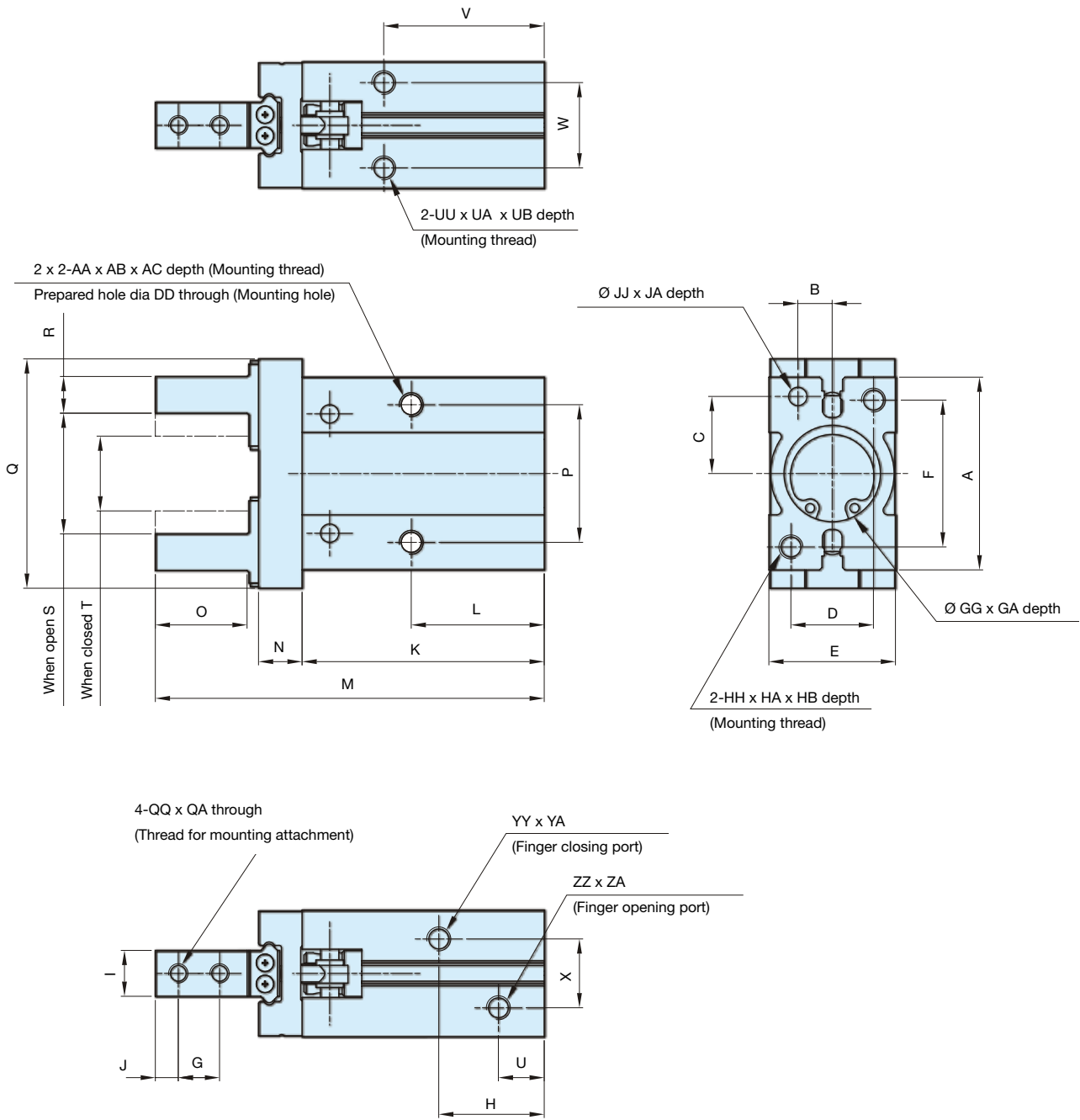
M8 - Snap in

Flying lead



	0.165 m PUR cable with M8 connector	2 m PUR cable
PNP	P8S-EPSUS	P8S-EPFXS
NPN	P8S-ENSUS	P8S-ENFXS
Reed	P8S-ERSUS	P8S-ERFXS

Dimensions (mm)



Bore mm	A	AA	AB	AC	B	C	D	DD	E	F	G	GG	GA	H	HH	HA	HB	I	J	JJ	JA	K	L	M
10	23	M3	0.5	5.5	5.2 ^{+0.025} ₀	7.6 ^{+0.02} _{-0.02}	12	2.6	16.4 ^{+0.05} _{-0.05}	18	5.7	11H9 ^{+0.043} ₀	2	19	M3	0.5	6	5 ⁰ _{-0.05}	3	2H9 ^{+0.025} ₀	3	37.8	23	57
16	30.6	M4	0.7	8	6.5 ^{+0.25} ₀	11 ^{+0.02} _{-0.02}	15	3.4	23.6 ^{+0.05} _{-0.05}	22	7	17H9 ^{+0.043} ₀	2	19	M4	0.7	8	8 ⁰ _{-0.05}	4	3H9 ^{+0.025} ₀	3	42.5	24.5	67.3
20	42	M5	0.8	10	7.5 ^{+0.030} ₀	16.8 ^{+0.02} _{-0.02}	18	3.4	27.6 ^{+0.05} _{-0.05}	32	9	21H9 ^{+0.052} ₀	3	23	M5	0.8	10	10 ⁰ _{-0.05}	5	4H9 ^{+0.030} ₀	4	52.8	29	84.8
25	52	M6	1	12	10 ^{+0.02} _{-0.02}	21.8 ^{+0.02} _{-0.02}	22	5.1	33.6 ^{+0.05} _{-0.05}	40	12	21H9 ^{+0.052} ₀	3.5	23.5	M6	1	12	12 ⁰ _{-0.05}	6	4H9 ^{+0.02} _{-0.02}	4	63.6	30	102.7
Bore mm	N	O	P	Q	QQ	QA	R	S	T	U	UU	UA	UB	V	W	X	YY	YA	ZZ	ZA				
10	6	12	16	29	M2.5	0.45	4 ⁰ _{-0.1}	15.2 ^{+2.2} ₀	11.2 ⁰ _{-0.7}	9	M3	0.5	6	27	11.4	10	M3	0.5	M3	0.5				
16	7.5	15	24	38	M3	0.5	5 ⁰ _{-0.1}	20.9 ^{+2.2} _{0.2}	14.9 ⁰ _{-0.7}	8.5	M4	0.7	4.5	30	16	13	M5	0.8	M5	0.8				
20	9.5	20	30	50	M4	0.7	8 ⁰ _{-0.1}	26.3 ^{+2.2} _{0.2}	16.3 ⁰ _{-0.7}	10	M5	0.8	8	35	18.6	15	M5	0.8	M5	0.8				
25	11	25	36	63	M5	0.8	10 ⁰ _{-0.1}	33.3 ^{+2.2} _{0.2}	19.3 ⁰ _{-0.8}	9.7	M6	1	10	36.5	22	20	M5	0.8	M5	0.8				

P5GL - 180° Angular double acting, cam style, square jaw carriers

The P5GL is a 180° angular gripper of compact size and lightweight construction. With double acting movement high gripping forces are achieved via internal cams. The anodised body has mounting points on four sides and sensors can be fitted in any of the four integral grooves.



- Bore sizes Ø10, 16, 20 and 25mm
- Double acting
- Anodised corrosion protection
- Magnetic piston as standard
- Optional sensors

P5GL - 180° Angular Grippers - Cam Style




Bore mm	Order code
10	P5GL-010MSG180B
16	P5GL-016MSG180B
20	P5GL-020MSG180B
25	P5GL-025MSG180B

Technical Information

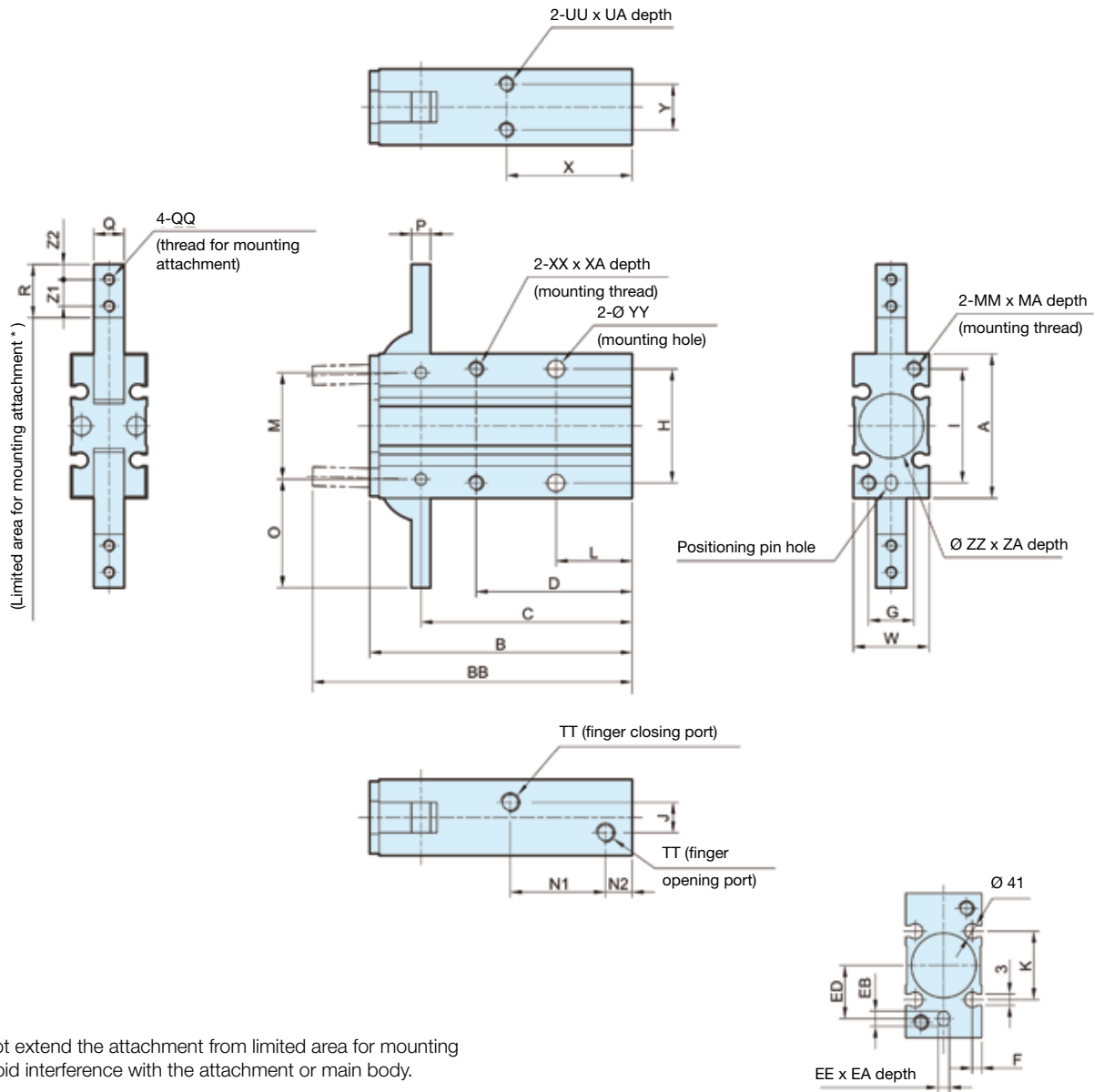
Acting type	Double acting			
Bore (mm)	10	16	20	25
Medium	Air			
Operating pressure range	1 to 6 bar			
Temperature range	-10 to +60°C (no freezing)			
Repeatability	± 0.2 mm			
Max operating frequency	60 Cycles/min			
Lubrication	Not required			
Effective force (Nm) at (5kgf/cm ²)	0.16	0.54	1.10	2.28
Operating angle (both sides)	Opened side	180° - 182°		
	Closed side	-3°		
Weight (g)	80	150	320	600

For more information see www.parker.com/euro_pneumatic

Sensors - Series P8S-H

Magnetic Sensor	M8 - Snap in	Flying lead
		
Reed NO	0.165 m PUR cable with M8 connector P8S-HRSUS	1 m PUR cable P8S-HRFCS

Dimensions (mm)



* Do not extend the attachment from limited area for mounting to avoid interference with the attachment or main body.

Bore mm	A	B	BB	C	D	EE	EA	EB	ED	F	G	H	I	J	K	L	M	MA	MM	N1	N2	O	P	Q
12	30	58	71	47,5	35	3H9 ^{+0.025} ₋₀	3	4	9	2	9	24	24	3	13	18	22	6	M3 x 0.5	23	7	23,5	4	6 ^{+0.005} _{-0.025}
16	38	69	84	55,5	41	3H9 ^{+0.025} ₋₀	3	4	15	2,5	12	30	30	8	18	20	28	8	M4 x 0.7	25	7	28,5	5	8 ^{+0.005} _{-0.025}
20	48	86	106	69	50	4H9 ^{+0.030} ₋₀	4	5	19	3	16	36	38	12	20	25	36	10	M5 x 0.8	32	8	37	8	10 ^{+0.005} _{-0.025}
25	58	107	131	86	60	4H9 ^{+0.030} ₋₀	4	5	23	3	18	42	46	14	24	30	45	12	M6 x 1	42	8	45	10	12 ^{+0.005} _{-0.025}

Bore mm	QH	QQ	R	TT	UA	UU	W	X	XA	XX	Y	YY	ZA	ZZ	Z1	Z2
12	3,4	M3 x 0.5	12	M5 x 0.8 x 5 depth	4	M3 x 0.5	15	30	6	M3 x 0.5	9	3,4	1,5	11H9 ^{+0.043} ₋₀	6	3
16	3,4	M3 x 0.5	14	M5 x 0.8 x 5 depth	5	M4 x 0.7	20	33	8	M4 x 0.7	12	4,5	1,5	17H9 ^{+0.043} ₋₀	7	4
20	4,5	M4 x 0.7	18	M5 x 0.8 x 5 depth	8	M5 x 0.8	26	42	10	M5 x 0.8	14	5,5	1,5	21H9 ^{+0.052} ₋₀	9	5
25	5,5	M5 x 0.8	22,5	M5 x 0.8 x 5 depth	10	M6 x 1	30	50	12	M6 x 1	16	6,6	1,5	26H9 ^{+0.052} ₋₀	12	6

P5RS - Rotary Actuators

The P5RS rotary table units provide precise control even under heavy loads, with specially designed load fixing and centring capabilities. End stroke cushioning using supplied adjusting bolts or optional shock absorbers offers dependable linear cushioning enabling objects to be carried and positioned safely and securely.



- Bores Ø16, 20, 25 and 32mm
- Twin rack and pinion
- Adjustable between 0° and 190°
- Magnetic piston standard
- Stroke adjusters standard
- Optional shock absorbers bore Ø20 and 25mm
- Easy mounting of work piece

Operating Information

Pressure range:	1 to 9 bar
Temperature range:	-5° to 60° C
Filtration requirements:	
Air filtration	40 micron or better
Air lubrication	Not necessary*
Air humidity	Low moisture content (dry)

* Addition of lubrication will greatly increase service life

For more information see www.parker.com/euro_pneumatic

Ordering Information: P5RS




Bore mm	Description	Ports (BSPP)	Rotation	Torque (N-m at 5 bar)	Weight (kg)	Order code
16	Rotary table, stroke adjusters	1/8	190 degrees	1.21	0.7	P5RS-016DSG190B
20	Rotary table, stroke adjusters	1/8	190 degrees	2.51	1.16	P5RS-020DSG190B
25	Rotary table, stroke adjusters	1/8	190 degrees	4.91	1.57	P5RS-025DSG190B
32	Rotary table, stroke adjusters	1/8	190 degrees	9.86	3.07	P5RS-032DSG190B

Note: Above units are supplied with rubber buffer stroke adjusters.

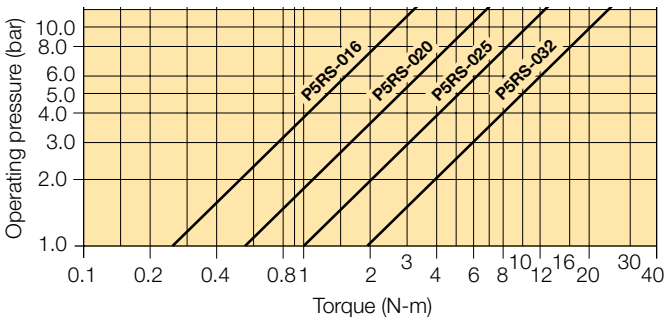
Optional Shock Absorbers

Bore mm	Rotary Actuator	Order code
16	P5RS-016DSG190B	N/A
20	P5RS-020DSG190B	N/A
25	P5RS-025DSG190B	MC150M
32	P5RS-032DSG190B	MC225M

Sensors - Series P8S-F

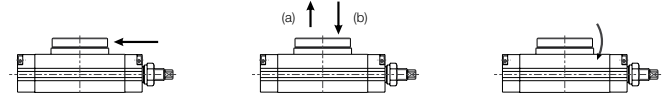
Magnetic Sensor	M8 - Snap in	Flying lead
		
Reed, NO	0.15 m PUR cable with M8 connector	2 m PUR cable
	P8S-FRSUS	P8S-FRFXS

Load capacity P5RS Rotary Table



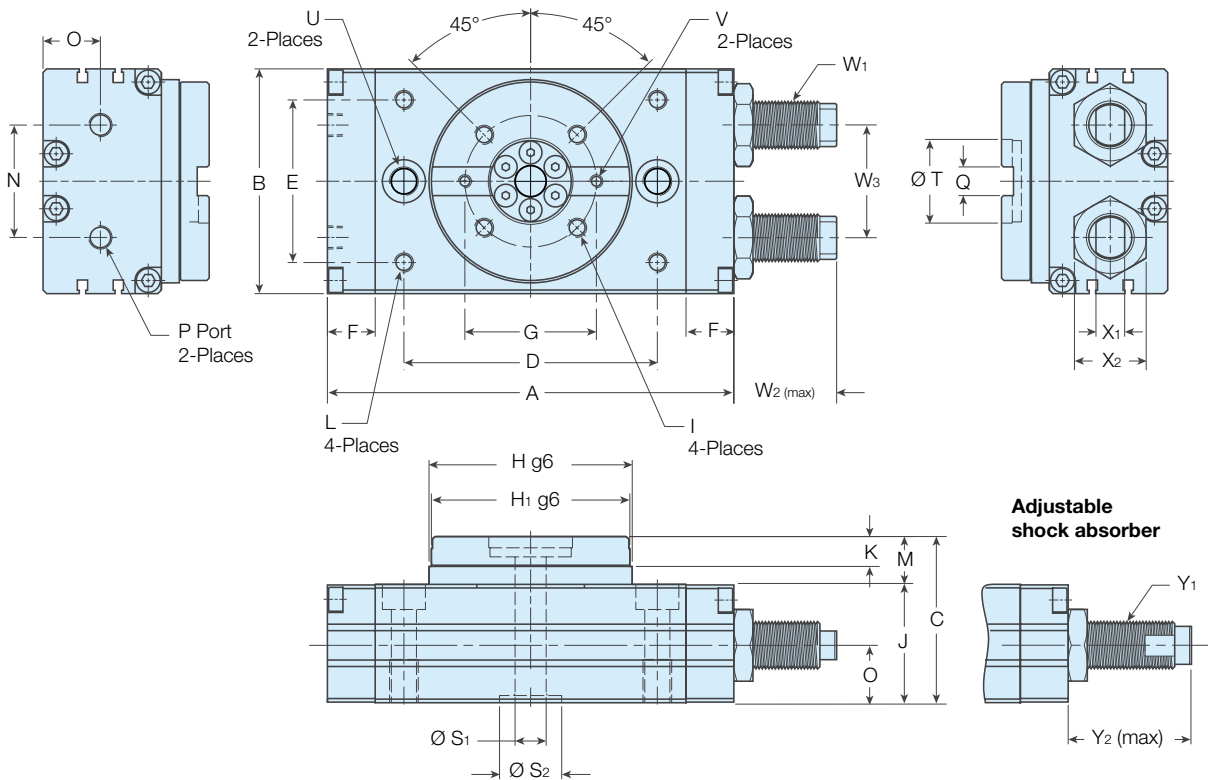
Allowable load

Set the load and moment to be applied to the table within the allowable values shown in the table below. (Values outside of limitations will cause excessive play, deteriorate accuracy, and shorten service life).



Bore	Allowable radial load (N)	Allowable thrust load (N)		Allowable moment (Nm)
		(a)	(b)	
16	78	74	78	2.4
20	147	137	137	4.0
25	196	197	363	5.3
32	314	296	451	9.7

Dimensions P5RS Rotary Table



Bore mm	A	B	C	D	E	F	G	H	H ₁	I	J	K	L	M	N	O	P	Q
	BSPP																	
16	108	58	47	62	38	15	38	50	48	M5 x 7 Dp, P.C.D38	33	8	M5 x 8 Dp	14	26	15.5	PT 1/8	8 ^{+0.03} ₋₀ x 3.3 Dp
20	128	68	55	78	47	15	46	62.5	60	M6 x 7 Dp, P.C.D46	38	10	M6 x 8 Dp	17	27	18.5	PT 1/8	10 ^{+0.03} ₋₀ x 3.5 Dp
25	135.5	77	58.5	84	55	15.5	48	67	65	M6 x 9 Dp, P.C.D48	41.5	10	M6 x 8 Dp	17	37	20	PT 1/8	12 ^{+0.03} ₋₀ x 4 Dp
32	170	94	69.5	106	68	20	55	85	83	M8 x 10 Dp, P.C.D55	49.5	12.5	M8 x 8.5 Dp	20	47	24	PT 1/8	12 ^{+0.03} ₋₀ x 5 Dp
Bore mm	S ₁	S ₂	T	U	V	W ₁	W ₂	W ₃	X ₁	X ₂	Y ₁	Y ₂						
16	6	17 (H7) x 2.5 Dp	24 (H7) x 3 Dp	2-Ø 6.8 thru, Ø11 x 6.5 Dp, M8 x 12 Dp (Sink)	M3 x 4 Dp	M10 x 1,0	27	26	7	17	N/A	N/A						
20	10	22 (H7) x 2.5 Dp	32 (H7) x 3 Dp	2-Ø 8.6 thru, Ø14 x 8.5 Dp, M10 x 15 Dp (Sink)	M4 x 6 Dp	M12 x 1,0	23	32	8	19	N/A	N/A						
25	13	22 (H7) x 3 Dp	32 (H7) x 3.7 Dp	2-Ø 8.6 thru, Ø14 x 8.5 Dp, M10 x 15 Dp (Sink)	M4 x 5 Dp	M14 x 1,5	36	37	8	22	MC150M	52						
32	13	26 (H7) x 3 Dp	35 (H7) x 4.7 Dp	2-Ø 10.5 thru, Ø18 x 10.5 Dp, M12 x 18 Dp (Sink)	M5 x 5 Dp	M20 x 1.5	43	47	12	30	MC225M	62						

Dimensions in (mm)



P5SS - Precision Slide Tables

The Precision Slide Table P5SS is a pneumatic actuator, operated by two cylinders mounted in parallel for moving loads fitted on its mobile carriage or on its front plate quickly and accurately. Optional end of stroke adjusters offer precise adjustment even when the slide table is pressurised.



- High precision
- Bores Ø6, 8, 12, 16, 20 and 25mm
- Combination of dual bore cylinder and linear rail
- Magnetic piston standard
- Rubber bumper standard
- Optional stroke adjusters
- Optional shock absorbers bores Ø8 - 25mm

Operating Information

Pressure range:	1.5 to 7 bar
Temperature range:	-5° to 60° C
Filtration requirements:	
Air filtration	40 micron or better
Air lubrication	Not necessary*
Air humidity	Low moisture content (dry)

* Addition of lubrication will greatly increase service life

For more information see www.parker.com/euro_pneumatic

Ordering Information: P5SS

Ø6mm bore

Stroke (mm)	Order code
10	P5SS-006DSG010B
20	P5SS-006DSG020B
30	P5SS-006DSG030B
40	P5SS-006DSG040B
50	P5SS-006DSG050B

Ø12mm bore

Stroke (mm)	Order code
10	P5SS-012DSG010B
20	P5SS-012DSG020B
30	P5SS-012DSG030B
40	P5SS-012DSG040B
50	P5SS-012DSG050B
75	P5SS-012DSG075B
100	P5SS-012DSG100B

Ø20mm bore

Stroke (mm)	Order code
10	P5SS-020DSG010B
20	P5SS-020DSG020B
30	P5SS-020DSG030B
40	P5SS-020DSG040B
50	P5SS-020DSG050B
75	P5SS-020DSG075B
100	P5SS-020DSG100B
125	P5SS-020DSG125B

Ø8mm bore

Stroke (mm)	Order code
10	P5SS-008DSG010B
20	P5SS-008DSG020B
30	P5SS-008DSG030B
40	P5SS-008DSG040B
50	P5SS-008DSG050B
75	P5SS-008DSG075B

Ø16mm bore

Stroke (mm)	Order code
10	P5SS-016DSG010B
20	P5SS-016DSG020B
30	P5SS-016DSG030B
40	P5SS-016DSG040B
50	P5SS-016DSG050B
75	P5SS-016DSG075B
100	P5SS-016DSG100B
125	P5SS-016DSG125B

Ø25mm bore

Stroke (mm)	Order code
10	P5SS-025DSG010B
20	P5SS-025DSG020B
30	P5SS-025DSG030B
40	P5SS-025DSG040B
50	P5SS-025DSG050B
75	P5SS-025DSG075B
100	P5SS-025DSG100B
125	P5SS-025DSG125B
150	P5SS-025DSG150B

Sensors - Series P8S-E

Magnetic Sensor



PNP

NPN

Reed

M8 - Snap in



0.165 m PUR cable with M8 connector

P8S-EPSUS

P8S-ENSUS

P8S-ERSUS

Flying lead



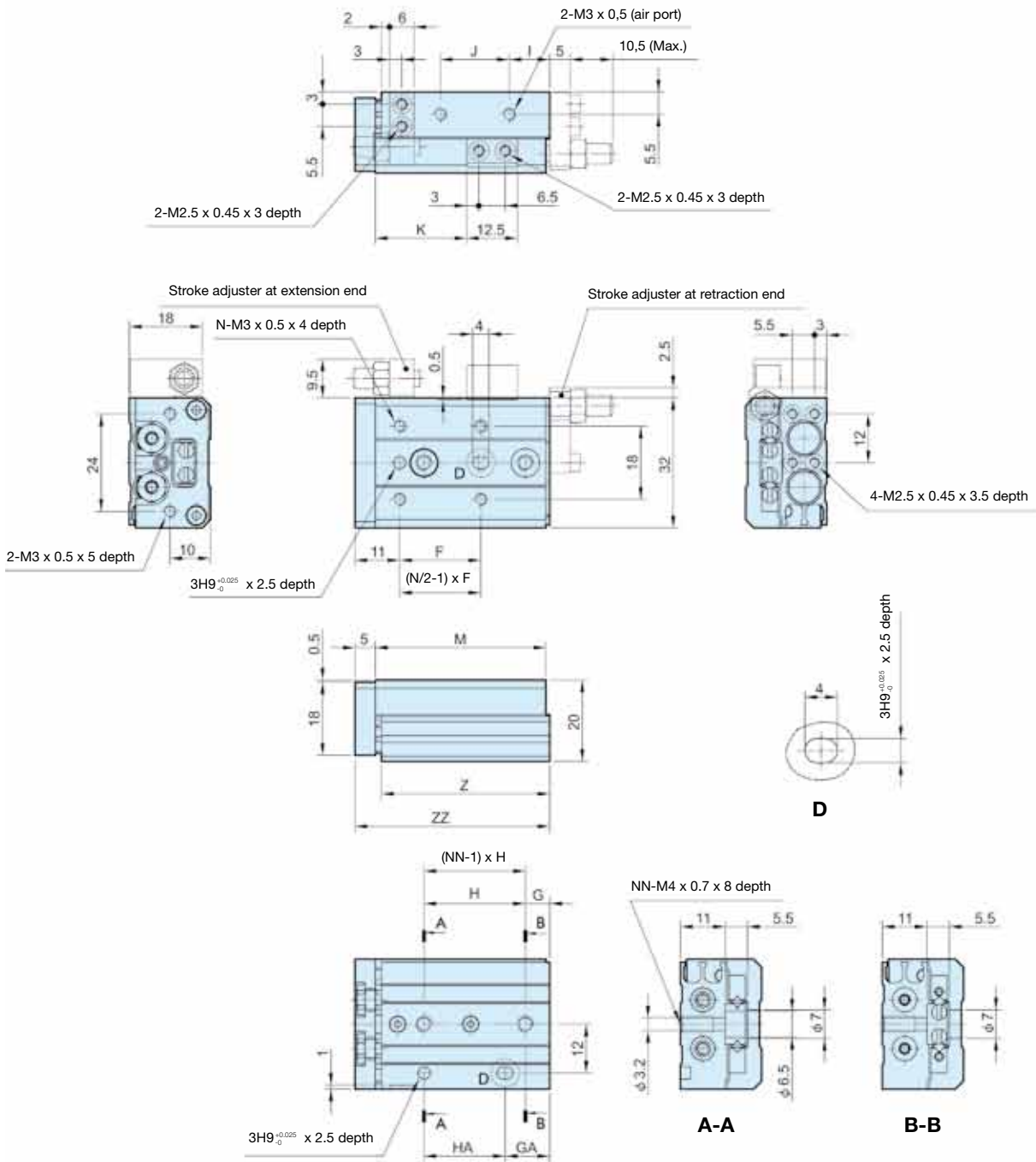
2 m PUR cable

P8S-EPFXS

P8S-ENFXS

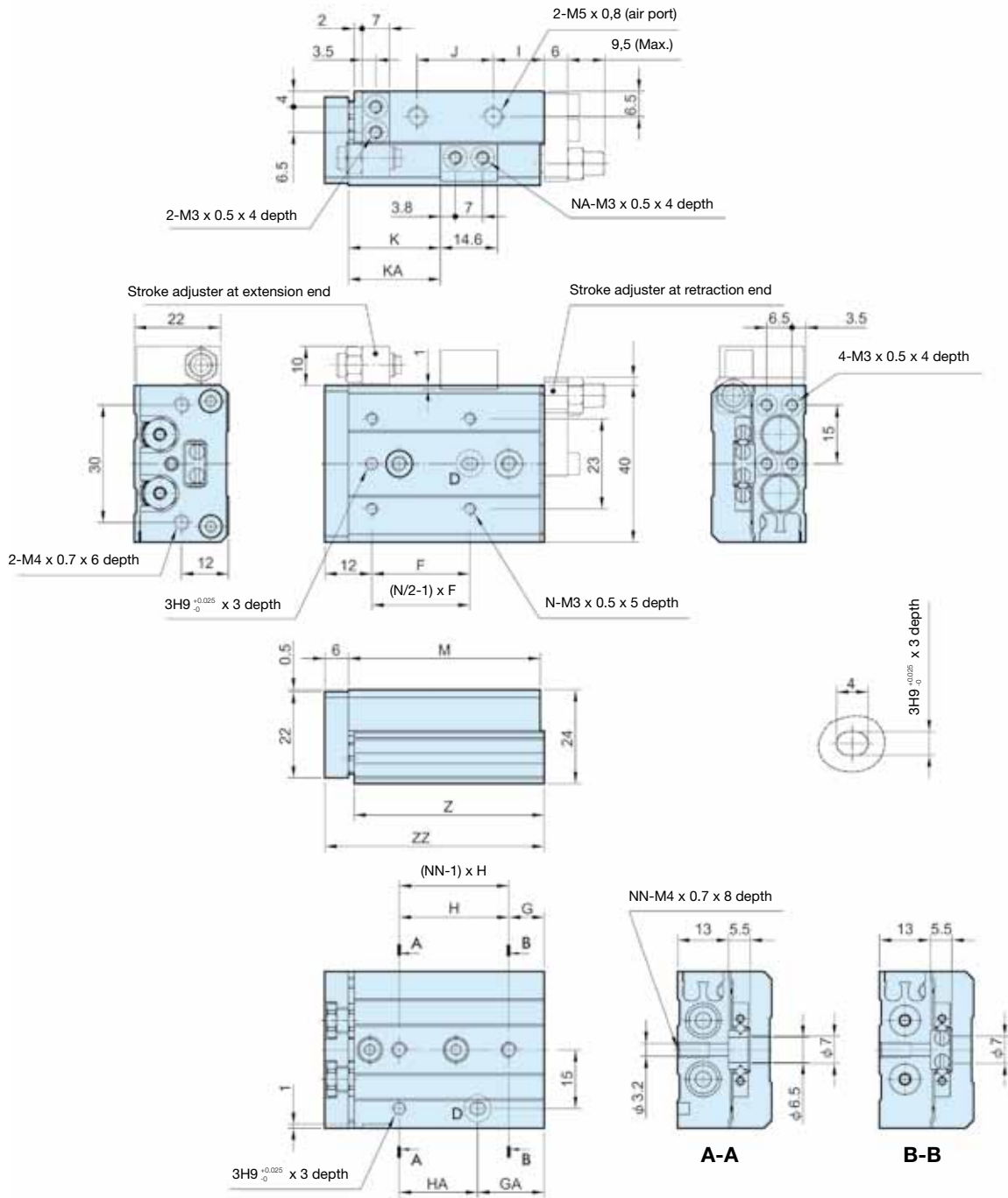
P8S-ERFXS

Precision Slide Table Ø6 - Dimensions (mm)



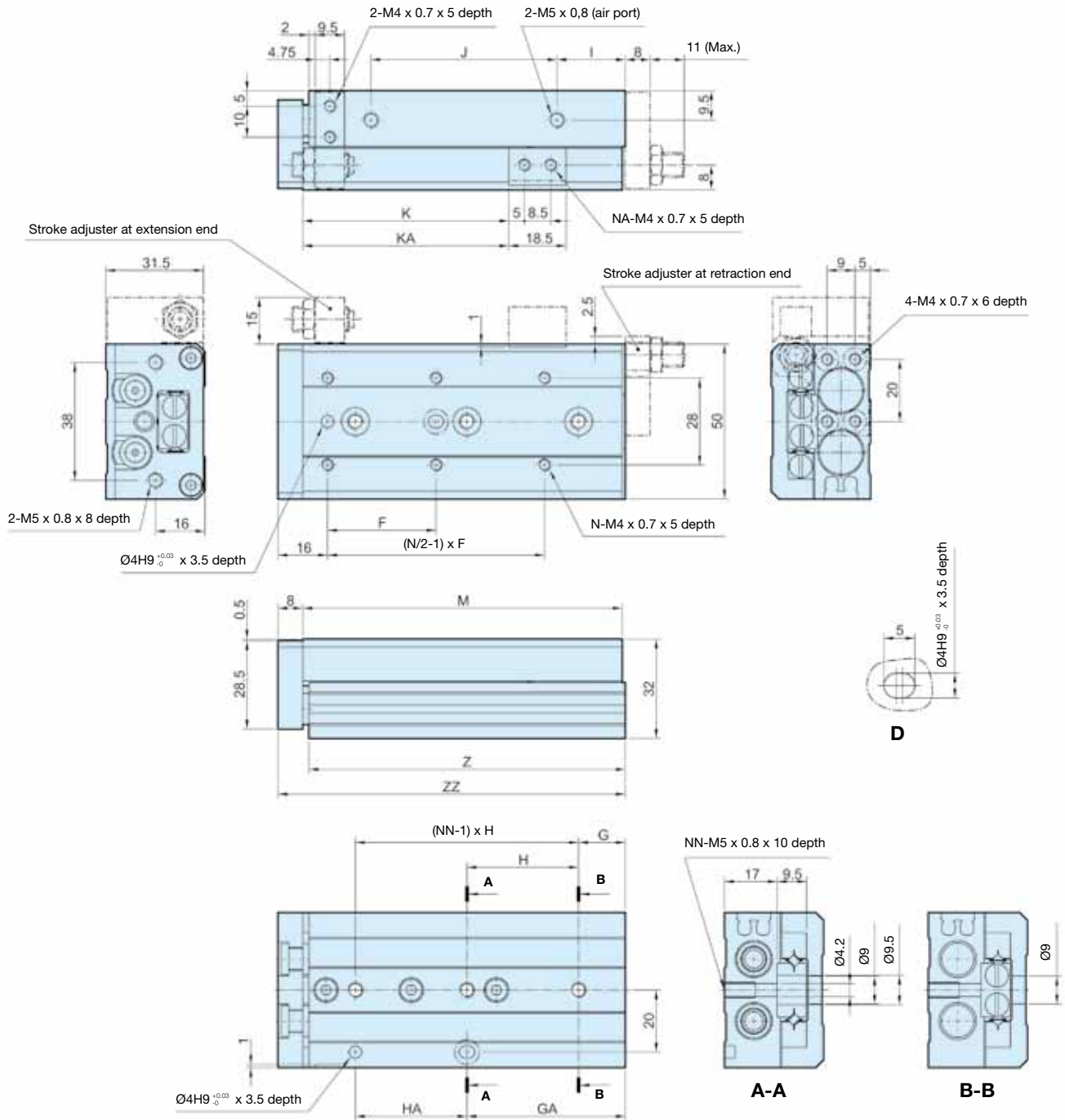
Stroke	F	G	GA	H	HA	I	J	K	M	N	NN	Z	ZZ
10	20	6	11	25	20	10	17	22,5	42	4	2	41,5	48
20	30	6	21	35	20	10	27	32,5	52	4	2	51,5	58
30	20	11	31	20	20	7	40	42,5	62	6	3	61,5	68
40	28	13	43	30	30	19	50	52,5	84	6	3	83,5	90
50	38	17	41	24	48	25	60	62,5	100	6	4	99,5	106

Precision Slide Table Ø8 - Dimensions (mm)



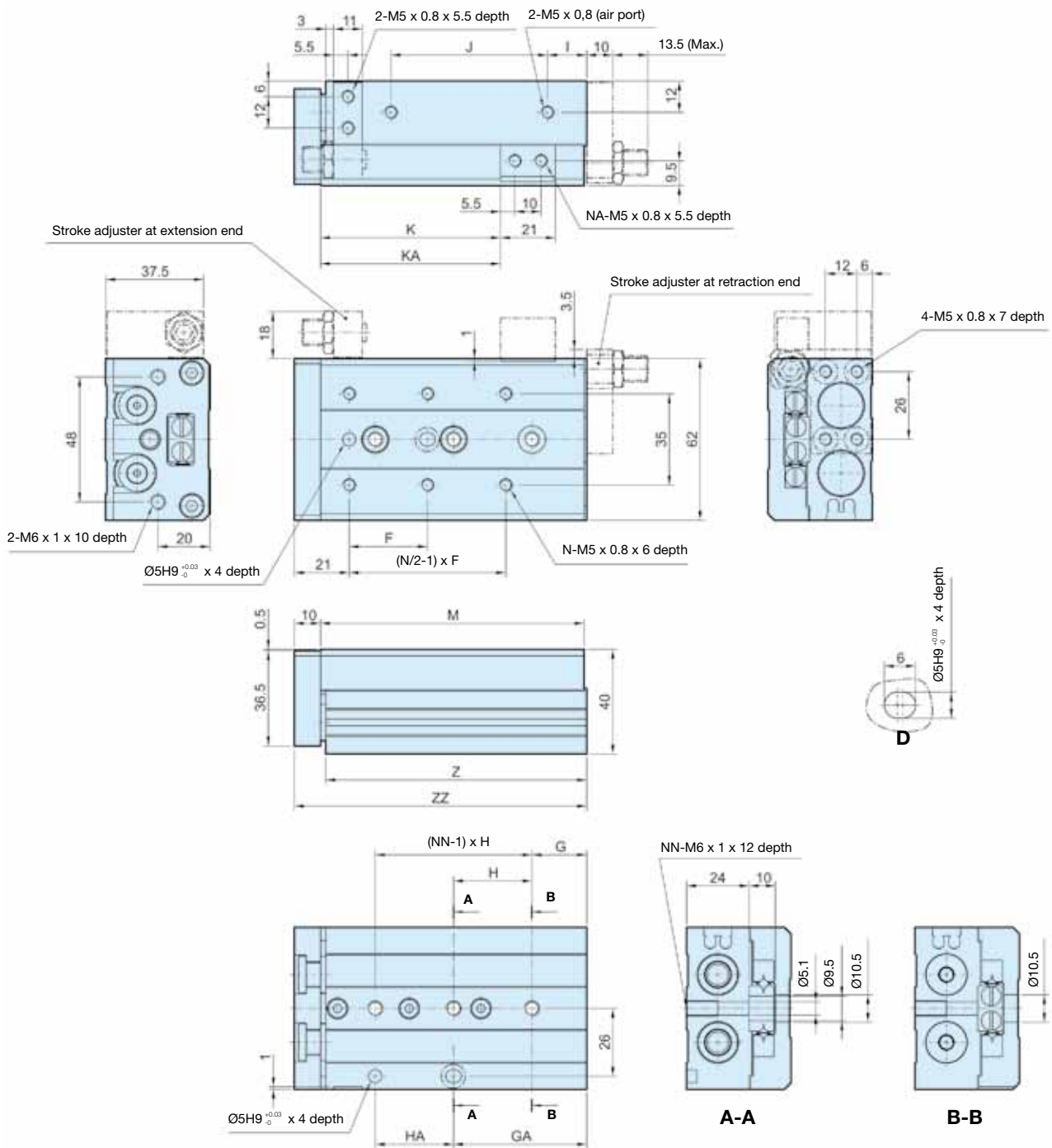
Stroke	F	G	GA	H	HA	I	J	K	KA	M	N	NA	NN	Z	ZZ
10	25	9	17	28	20	13	19,5	23,5	-	49	4	2	2	48,5	56
20	25	12	12	30	30	8,5	29	33,5	-	54	4	2	2	53,5	61
30	40	13	33	20	20	9,5	39	43,5	-	65	4	2	3	64,5	72
40	50	15	43	28	28	10,5	56	53,5	-	83	4	2	3	82,5	90
50	38	20	43	23	46	24,5	60	63,5	82,5	101	6	4	4	100,5	108
75	50	27	83	28	56	38,5	96	88,5	132,5	151	6	4	5	105,5	158

Precision Slide Table Ø12 - Dimensions (mm)



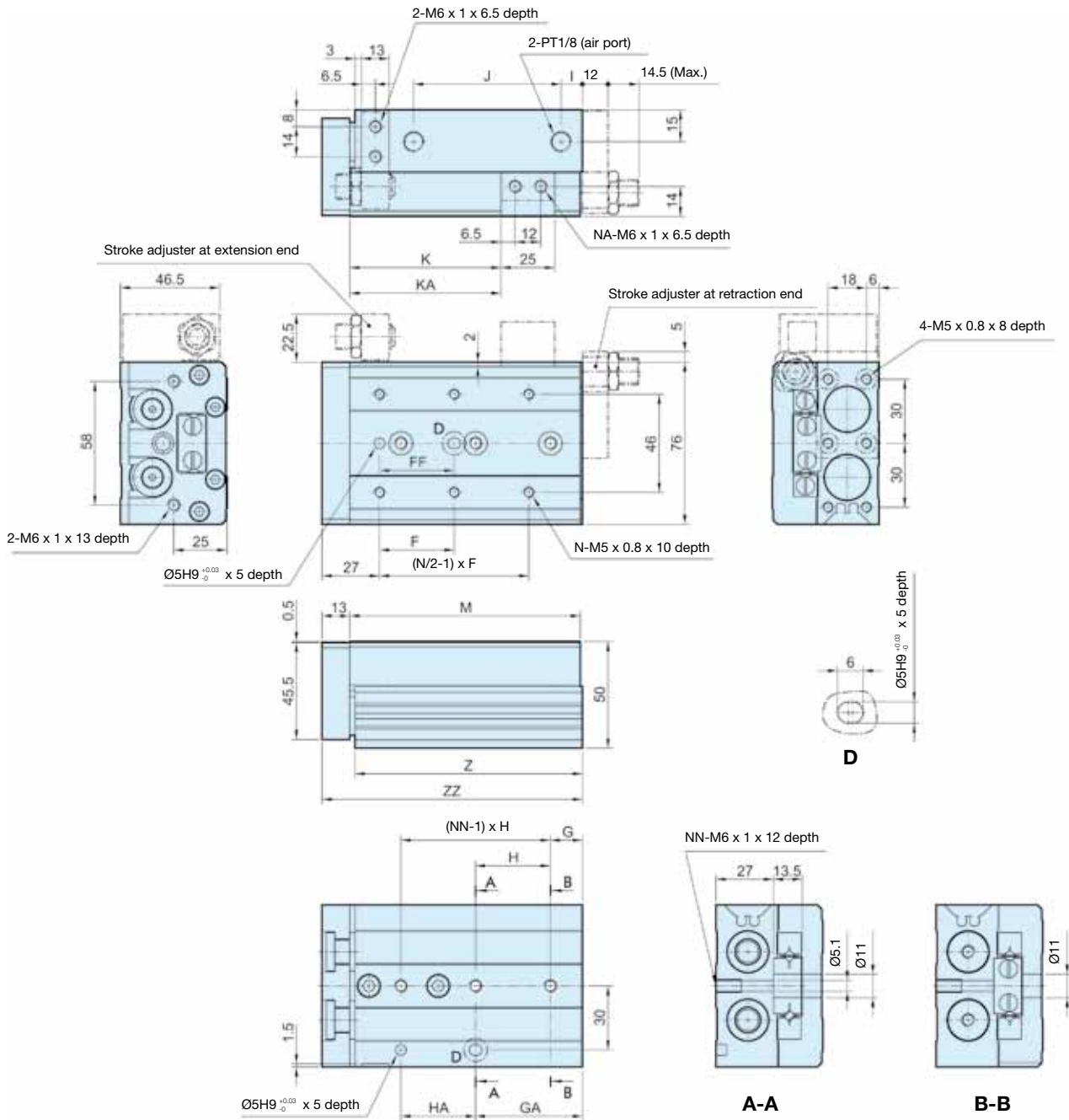
Stroke	F	G	GA	H	HA	I	J	K	KA	M	N	NA	NN	Z	ZZ
10	35	15	15	40	40	10	40	26,5	-	71	4	2	2	70	80
20	35	15	15	40	40	10	40	36,5	-	71	4	2	2	70	80
30	35	15	15	40	40	10	40	46,5	-	71	4	2	2	70	80
40	50	17	42	25	25	10	52	56,5	-	83	4	2	3	82	92
50	35	15	51	36	36	22	60	66,5	-	103	6	2	3	102	112
75	55	25	61	36	72	43	85	91,5	125,5	149	6	4	4	148	158
100	65	35	111	38	76	52	130	116,5	179,5	203	6	4	5	202	212

Precision Slide Table Ø16 - Dimensions (mm)



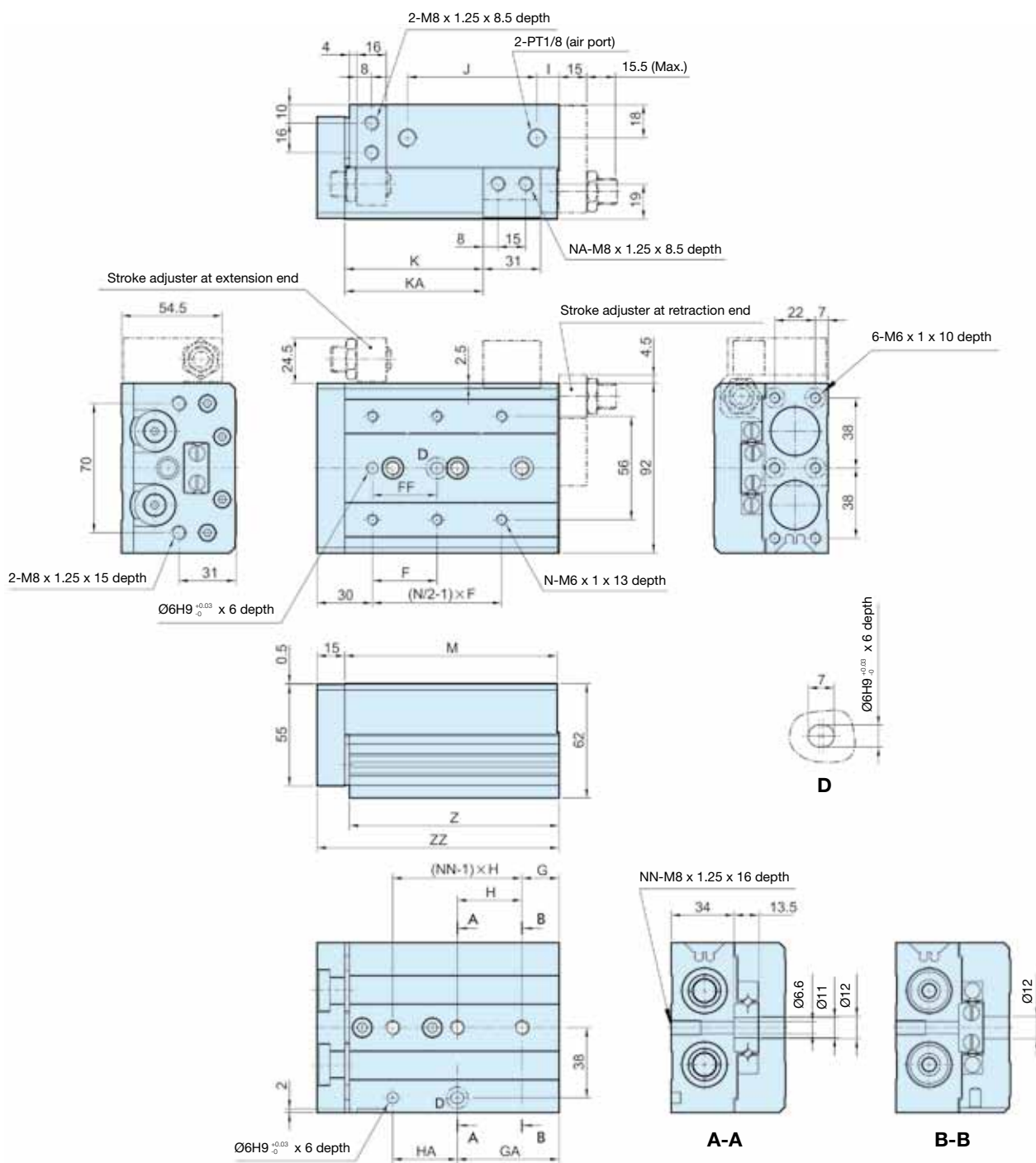
Stroke	F	G	GA	H	HA	I	J	K	KA	M	N	NA	NN	Z	ZZ
10	35	16	16	40	40	10	40	29	-	76	4	2	2	75	87
20	35	16	16	40	40	10	40	39	-	76	4	2	2	75	87
30	35	16	16	40	40	10	40	49	-	76	4	2	2	75	87
40	40	16	16	50	50	10	50	59	-	86	4	2	2	85	97
50	30	21	51	30	30	15	60	69	-	101	6	2	3	100	112
75	55	26	61	35	70	40	85	94	125	151	6	4	4	150	162
100	65	39	109	35	70	55	118	119	173	199	6	4	5	198	210
125	70	19	159	35	70	68	155	144	223	249	8	4	7	248	260

Precision Slide Table Ø20 - Dimensions (mm)



Stroke	F	FF	G	GA	H	HA	I	J	K	KA	M	N	NA	NN	Z	ZZ
10	50	40	15	25	45	35	10	44	31	-	83	4	2	2	81,5	97
20	50	40	15	25	45	35	10	44	41	-	83	4	2	2	81,5	97
30	50	40	15	25	45	35	10	44	51	-	83	4	2	2	81,5	97
40	60	50	15	35	55	35	10	54	61	-	93	4	2	2	91,5	107
50	35	35	15	50	35	35	10	69	71	-	108	6	2	3	106,5	122
75	60	60	19	54	35	70	10	108	96	-	147	6	2	4	145,5	161
100	70	70	37	107	35	70	58	113	121	169	200	6	4	5	198,5	214
125	70	70	41	155	38	76	70	155	146	223	254	8	4	6	252,5	268
150	80	80	19	195	44	88	87	190	171	275	306	8	4	7	304,5	320

Precision Slide Table Ø25 - Dimensions (mm)

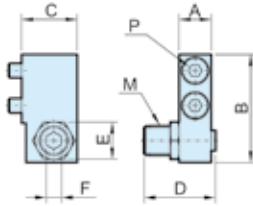


Stroke	F	FF	G	GA	H	HA	I	J	K	KA	M	N	NA	NN	Z	ZZ
10	50	40	22	22	45	45	12	47	35	-	92	4	2	2	90,5	108
20	50	40	22	22	45	45	12	47	45	-	92	4	2	2	90,5	108
30	50	40	22	22	45	45	12	47	55	-	92	4	2	2	90,5	108
40	60	50	22	22	55	55	12	57	65	-	102	4	2	2	100,5	118
50	35	35	20	55	35	35	12	70	75	-	115	6	2	3	113,5	131
75	60	60	26	61	35	70	33	90	100	-	156	6	2	4	154,5	172
100	70	70	32	102	35	70	50	114	125	162	197	6	4	5	195,5	213
125	75	75	40	154	38	76	67	155	150	218	255	8	4	6	253,5	271
150	80	80	30	190	40	80	82	180	175	258	295	8	4	7	293,5	311

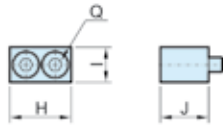
Accessories Ø6 - Ø25

Stroke adjuster at extension end:

Mounted to body



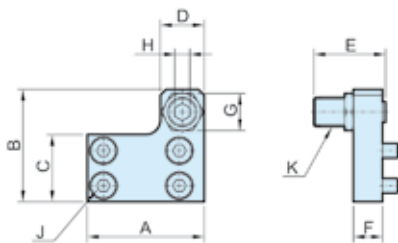
Mounted to table



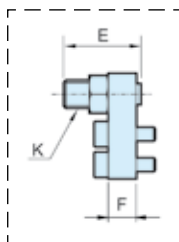
Bore mm	Order code	Adjustable stroke range (mm)	Mounted to body							Mounted to table				
			A	B	C	D	E	F	M	P*	H	I	J	Q*
6	P5SS-006-EA-05	5	6	17,8	10,5	16,5	7	2,5	M5 x 0.8	M2.5x10	12,5	6	8,5	M2.5 x 8
	P5SS-006-EA-15	15												
8	P5SS-008-EA-05	5	7	21,5	11	16,5	8	3	M6 x 1	M3 x 10	14,6	7	10	M3 x 10
	P5SS-008-EA-15	15				26,5								
	P5SS-008-EA-25	25				36,5								
12	P5SS-012-EA-05	5	9,5	31	16	20	11	4	M8 x 1	M4 x 16	18,5	10	13	M4 x 12
	P5SS-012-EA-15	15				30								
	P5SS-012-EA-25	25				40								
16	P5SS-016-EA-05	5	11	37	19	24,5	14	5	M10 x 1	M5 x 16	21	12	16,5	M5 x 16
	P5SS-016-EA-15	15				34,5								
	P5SS-016-EA-25	25				44,5								
20	P5SS-020-EA-05	5	13	45,5	24	27,5	17	6	M12 x 1.25	M6 x 20	25	13	21	M6 x 20
	P5SS-020-EA-15	15				37,5								
	P5SS-020-EA-25	25				47,5								
25	P5SS-025-EA-05	5	16	53,5	26,5	32,5	19	6	M14 x 1.5	M8 x 25	31	17	25,5	M8 x 25
	P5SS-025-EA-15	15				42,5								
	P5SS-025-EA-25	25				52,5								

* Size of hexagon socket head cap screws

Stroke adjuster at retraction end:



P5SS-006
P5SS-008



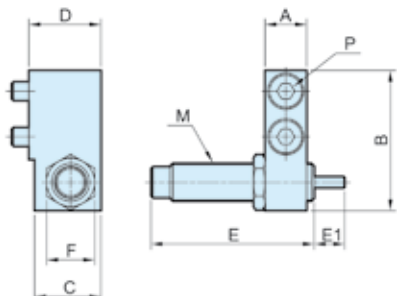
Bore mm	Order code	Adjustable stroke range (mm)	A	B	C	D	E	F	G	H	J*	K
			6	P5SS-006-RA-05	5	21	19	10,5	8	16,5	5	7
P5SS-006-RA-15	15	26,5										
8	P5SS-008-RA-05	5	25	22,5	12,5	9	16,5	6	8	3	M3 x 10	M6 x 1
	P5SS-008-RA-15	15					26,5					
	P5SS-008-RA-25	25					36,5					
12	P5SS-012-RA-05	5	32	31	18,5	13	20	8	12	4	M4 x 8	M8 x 1
	P5SS-012-RA-15	15					30					
	P5SS-012-RA-25	25					40					
16	P5SS-016-RA-05	5	40	38,5	23	15	24,5	10	14	5	M5 x 10	M10 x 1
	P5SS-016-RA-15	15					34,5					
	P5SS-016-RA-25	25					44,5					
20	P5SS-020-RA-05	5	50	48	29	21	27,5	12	17	6	M5 x 12	M12 x 1.25
	P5SS-020-RA-15	15					37,5					
	P5SS-020-RA-25	25					47,5					
25	P5SS-025-RA-05	5	60	58	35	23	32,5	15	19	6	M6 x 16	M14 x 1.5
	P5SS-025-RA-15	15					42,5					
	P5SS-025-RA-25	25					52,5					

* Size of hexagon socket head cap screws

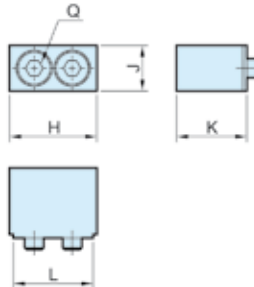
Accessories Ø8 - Ø25

Shock absorber at extension end:

Mounted to body



Mounted to table

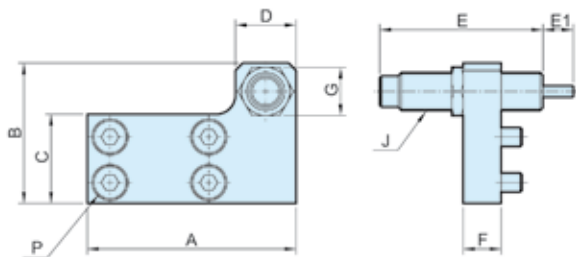


Bore mm	Order code	Mounted to body									Mounted to table				
		A	B	C	D	E	E1	F	M	P*	H	J	K	L	Q*
8	P5SS-008-ESK	7	23	14	15,5	40,6	6	11	M8 x 1	M3 x 16	16,6	7	15,5	14,6	M3 x 16
12	P5SS-012-ESK	9,5	31	14,5	16	40,6	6	11	M8 x 1	M4 x 16	20,5	10	15	18,5	M4 x 12
16	P5SS-016-ESK	11	37	17,5	19	47	7	12,7	M10 x 1	M5 x 16	23	12	18,5	21	M5 x 16
20	P5SS-020-ESK	13	45,5	23,5	26	67	12	19	M14 x 1.5	M6 x 25	27	13	25,5	25	M6 x 25
25	P5SS-025-ESK	16	53,5	23,5	26,5	67	12	19	M14 x 1.5	M8 x 25	33	17	25,5	31	M8 x 25

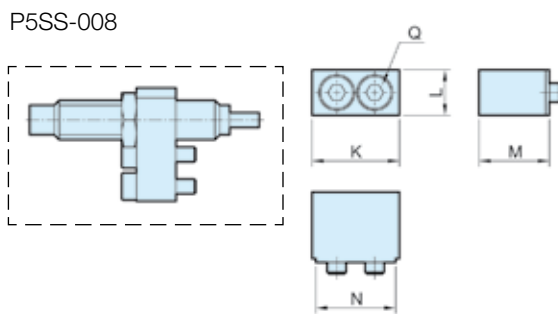
* Size of hexagon socket head cap screws

Shock absorber at retraction end:

Mounted to body

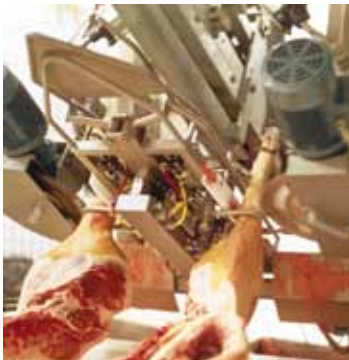


Mounted to table



Bore mm	Order code	Mounted to body									Mounted to table					
		A	B	C	D	E	E1	F	G	J	P*	K	L	M	N	Q*
8	P5SS-008-RSK	38	23	12,5	14	40,6	6	8	12	M8 x 1	M3 x 12	16,6	7	15,5	14,6	M3 x 16
12	P5SS-012-RSK	45	31	18	14	40,6	6	8	11	M8 x 1	M4 x 8	20,5	10	15	18,5	M4 x 12
16	P5SS-016-RSK	55	37	23,5	16	47	7	10	12,7	M10 x 1	M5 x 10	23	12	18,5	21	M5 x 16
20	P5SS-020-RSK	70	47	29	23	67	12	12	19	M14 x 1.5	M5 x 12	27	13	25,5	25	M6 x 25
25	P5SS-025-RSK	80	54	35	23	67	12	12	19	M14 x 1.5	M6 x 16	33	17	25,5	31	M8 x 25

* Size of hexagon socket head cap screws



Rotary Actuators

Stainless Steel Air Motors

P1V-S Series

*An ideal choice for the **Food Industry***



Designed for demanding applications and available in a wide variety of speeds and output torques. The all round, dirt-trap free design, stainless steel construction and viton external seals makes them the ideal choice for the Food Industry, where washdown with aggressive cleaning agents is common.

All versions are reversible in use and are fitted with a keyed shaft as standard. Power output from 20 to 1200 Watts is available and they are extremely efficient in operation, air consumption is low, ranging from 3,7 l/s to 27l/s.



P1V-S is a range of air motors with all external components made of stainless steel, which means that they can be used in food grade applications, and in all other applications where there is a risk of corrosion.

- Power from 0,02 kW to 1,2 kW
- ATEX CE Ex approved from 0,12 kW to 1,2 kW
- Designed for arduous applications
- No-lube intermittent operation as standard
- 0,2 kW and 0,3 kW Brakemotors for higher safety



For ATEX specific products contact Sales Office

Note: All air motors can be operated oil-free without special adaptation with only a 20% reduction of power.



Operating information

Working pressure: Max 7 bar (max 6 bar in Ex area)
 Working temperature: -30° to +100° C (-20° to +40° C in Ex area)
 Fluid: Compressed air with ISO 8573-1 Quality class 3.4.3 (no-lube operation) and 3.-.5 (lube operation)
 ATEX approval: CE Ex II 2 GD c IIC T6 (80°C)X
 CE Ex II 2 GD c IIC T5 (95°C)X

Note: All technical data is based on a working pressure of 6 bar in the inlet port

Reversible air motors

Keyed shaft, P1V-S002A series, 20 watt - (M5)

Max output kW	Free speed rpm	Speed at max output r/min	Torque at max output Nm	Min start torque Nm	Air consumption at max output l/s	Conn.	Min pipe ID	Order code
0,02	1300	650	0,29	0,44	1.7	M5	3	P1V-S002A0130
0,02	950	475	0,40	0,60	1.7	M5	3	P1V-S002A0095

Keyed shaft, P1V-S008A series, 80 watt - (M8 x 0,75, 3 push in nippels for plastic pipes Ø6/4 mm supplied)

0,08	24000	12000	0,06	0,09	3.5	M8 x 0,75*	4	P1V-S008A0Q00
0,08	7000	3500	0,22	0,33	3.5	M8 x 0,75*	4	P1V-S008A0700
0,08	1900	950	0,80	1,20	3.5	M8 x 0,75*	4	P1V-S008A0190
0,08	1300	650	1,20	1,80	3.5	M8 x 0,75*	4	P1V-S008A0130

Keyed shaft, P1V-S012A series, 120 watt - (G1/8)

CE Ex II 2 GD c IIC T6 (80°C) X

0,12	22000	11000	0,10	0,15	5.0	G1/8	6	P1V-S012A0N00
0,12	5500	2750	0,42	0,63	5.0	G1/8	6	P1V-S012A0550
0,12	3600	1800	0,64	0,95	5.0	G1/8	6	P1V-S012A0360
0,12	1400	700	1,64	2,40	5.0	G1/8	6	P1V-S012A0140
0,12	900	450	2,54	3,80	5.0	G1/8	6	P1V-S012A0090
0,12	600	300	3,82	5,00*	5.0	G1/8	6	P1V-S012A0060
0,12	100	50	5,00*	5,00*	5.0	G1/8	6	P1V-S012A0010

Threaded shaft, P1V-S012D series, 120 watt - (G1/8)

CE Ex II 2 GD c IIC T6 (80°C) X

0,12	22000	11000	0,10	0,15	5.0	G1/8	6	P1V-S012D0N00
0,12	5500	2750	0,42	0,63	5.0	G1/8	6	P1V-S012D0550
0,12	3600	1800	0,64	0,95	5.0	G1/8	6	P1V-S012D0360
0,12	1400	700	1,64	2,40	5.0	G1/8	6	P1V-S012D0140
0,12	900	450	2,54	3,80	5.0	G1/8	6	P1V-S012D0090
0,12	600	300	3,82	5,00*	5.0	G1/8	6	P1V-S012D0060
0,12	100	50	5,00*	5,00*	5.0	G1/8	6	P1V-S012D0010

Keyed shaft, P1V-S020A series, 200 watt - (G1/8)

CE Ex II 2 GD c IIC T6 (80°C) X

0,20	14500	7250	0,26	0,40	6.3	G1/8	10	P1V-S020A0E50
0,20	4600	2300	0,80	1,20	6.3	G1/8	10	P1V-S020A0460
0,20	2400	1200	1,60	2,40	6.3	G1/8	10	P1V-S020A0240
0,20	1400	700	2,70	4,10	6.3	G1/8	10	P1V-S020A0140
0,20	700	350	5,40	8,20	6.3	G1/8	10	P1V-S020A0070
0,20	350	160	12,00	18,00	6.3	G1/8	10	P1V-S020A0035
0,10	180	90	10,50	15,00	6.3	G1/8	10	P1V-S020A0018
0,20	110	55	33,00	49,50	6.3	G1/8	10	P1V-S020A0011
0,20	60	30	72,00	108,00*	6.3	G1/8	10	P1V-S020A0006
0,18	50	25	20,00*	20,00*	6.3	G1/8	10	P1V-S020A0005
0,18	20	-	20,00*	20,00*	6.3	G1/8	10	P1V-S020A0002
0,18	10	-	20,00*	20,00*	6.3	G1/8	10	P1V-S020A0001
0,20	5	-	20,00*	20,00*	6.3	G1/8	10	P1V-S020A00005

* Max allowed torque

Reversible air motors

Threaded shaft, P1V-S020D series, 200 watt - (G1/8)




Max output kW	Free speed rpm	Speed at max output r/min	Torque at max output Nm	Min start torque Nm	Air consumption at max output l/s	Conn.	Min pipe ID	Order code
0,20	14500	7250	0,26	0,40	6,3	G1/8	10	P1V-S020D0E50
0,20	4600	2300	0,80	1,20	6,3	G1/8	10	P1V-S020D0460
0,20	2400	1200	1,60	2,40	6,3	G1/8	10	P1V-S020D0240
0,20	1400	700	2,70	4,10	6,3	G1/8	10	P1V-S020D0140
0,20	700	350	5,40	8,20	6,3	G1/8	10	P1V-S020D0070
0,20	350	160	12,00	18,00	6,3	G1/8	10	P1V-S020D0035
0,10	180	90	10,50	15,00	4,5	G1/8	10	P1V-S020D0018
0,20	50	25	20,00*	20,00*	6,3	G1/8	10	P1V-S020D0005

Keyed shaft, P1V-S030A series, 300 watt - (G1/4)




0,30	14500	7250	0,40	0,60	8,0	G1/4	10	P1V-S030A0E50
0,30	4600	2300	1,20	1,90	8,0	G1/4	10	P1V-S030A0460
0,30	2400	1200	2,40	3,60	8,0	G1/4	10	P1V-S030A0240
0,30	1400	700	4,10	6,10	8,0	G1/4	10	P1V-S030A0140
0,30	600	300	9,60	14,30	8,0	G1/4	10	P1V-S030A0060
0,30	280	140	20,50	26,00	8,0	G1/4	10	P1V-S030A0028
0,30	230	115	24,00	36,00	8,0	G1/4	10	P1V-S030A0023
0,13	180	90	13,80	21,00	4,7	G1/4	10	P1V-S030A0018
0,30	100	50	57,00	85,50	8,0	G1/4	10	P1V-S030A0010
0,30	50	25	36,00*	36,00*	8,0	G1/4	10	P1V-S030A0005

Threaded shaft, P1V-S030D series, 300 watt - (G1/4)




0,30	14500	7250	0,40	0,60	8,0	G1/4	10	P1V-S030D0E50
0,30	4600	2300	1,20	1,90	8,0	G1/4	10	P1V-S030D0460
0,30	2400	1200	2,40	3,60	8,0	G1/4	10	P1V-S030D0240
0,30	1400	700	4,10	6,10	8,0	G1/4	10	P1V-S030D0140
0,30	600	300	9,60	14,30	8,0	G1/4	10	P1V-S030D0060
0,30	280	140	20,50	26,00	8,0	G1/4	10	P1V-S030D0028
0,13	180	90	13,80	21,00	4,7	G1/4	10	P1V-S030D0018
0,30	50	25	36,00*	36,00*	8,0	G1/4	10	P1V-S030D0005

Keyed shaft, P1V-S060A series, 600 watt - (G3/8)




0,60	14000	7000	0,82	1,23	14,5	G3/8	12	P1V-S060A0E00
0,60	4000	2000	2,90	4,30	14,5	G3/8	12	P1V-S060A0400
0,60	2700	1350	4,20	6,40	14,5	G3/8	12	P1V-S060A0270
0,60	1700	850	6,70	10,10	14,5	G3/8	12	P1V-S060A0170
0,60	720	360	15,90	24,00	14,5	G3/8	12	P1V-S060A0072
0,60	480	240	23,90	36,00	14,5	G3/8	12	P1V-S060A0048
0,60	300	150	38,20	57,00	14,5	G3/8	12	P1V-S060A0030
0,30	100	50	60,00*	60,00*	14,5	G3/8	12	P1V-S060A0010

Keyed shaft, P1V-S120A series, 1200 watt - (G3/4)




1,20	8000	4000	2,90	4,30	27,0	G3/4	19	P1V-S120A0800
1,20	2700	1350	8,50	12,70	27,0	G3/4	19	P1V-S120A0270
1,20	1100	550	21,00	31,00	27,0	G3/4	19	P1V-S120A0110
1,20	780	390	29,40	44,00	27,0	G3/4	19	P1V-S120A0078
1,20	320	160	71,60	107,00	27,0	G3/4	19	P1V-S120A0032
1,20	200	100	66,90	110,00*	19,0	G3/4	19	P1V-S120A0012

* Max allowed torque

Brake motors

The integrated brake is a spring-loaded disk brake, which is released at a minimum air pressure of 5 bar. The brake is applied in the absence of pressure.

The technology and the size of air motors with integrated running and stationary brake make them ideal for applications requiring repeated precise positioning.

The motor can also be kept stationary in a specific position, and the stopping time for a rotating weight can be shortened significantly. Another typical application for brake motors is when the output shaft needs to be held in one position when the motor stops delivering torque.

The brake can handle more than 1500 braking operations per hour at maximum braking torque.

Note!

Brake motors must only ever be supplied with unlubricated air, otherwise there is a risk of oil from the supply air getting into the brake unit, resulting in poor brake performance or no braking effect.

Please check the allowed maximum torque applied on the motor from the load in the technical catalogue

Brake motors with keyed shaft, P1V-S020AD series, 200 watt - (G1/8)

Max output kW	Free speed rpm	Speed at max output r/min	Torque at max output Nm	Min start torque Nm	Air consumption at max output l/s	Conn.	Min pipe ID	Order code
0,20	14500	7250	0,26	0,40	6.3	G1/8	10	P1V-S020ADE50
0,20	4600	2300	0,80	1,20	6.3	G1/8	10	P1V-S020AD460
0,20	2400	1200	1,60	2,40	6.3	G1/8	10	P1V-S020AD240
0,20	1400	700	2,70	4,10	6.3	G1/8	10	P1V-S020AD140
0,20	700	350	5,40	8,20	6.3	G1/8	10	P1V-S020AD070
0,20	350	160	12,00	18,00	6.3	G1/8	10	P1V-S020AD035
0,10	180	90	10,50	15,00	4.5	G1/8	10	P1V-S020AD018
0,20	110	55	33,00	49,50	6.3	G1/8	10	P1V-S020AD011
0,20	60	30	72,00	108,00*	6.3	G1/8	10	P1V-S020AD006
0,18	50	25	20,00*	20,00*	6.3	G1/8	10	P1V-S020AD005
0,18	20	-	20,00*	20,00*	6.3	G1/8	10	P1V-S020AD002
0,18	10	-	20,00*	20,00*	6.3	G1/8	10	P1V-S020AD005
0,18	5	-	20,00*	20,00*	6.3	G1/8	10	P1V-S020AD0005


Brake motors with keyed shaft, P1V-S030AD series, 300 watt - (G1/4)

0,30	14500	7250	0,40	0,60	8.0	G1/4	10	P1V-S030ADE50
0,30	4600	2300	1,20	1,90	8.0	G1/4	10	P1V-S030AD460
0,30	2400	1200	2,40	3,60	8.0	G1/4	10	P1V-S030AD240
0,30	1400	700	4,10	6,10	8.0	G1/4	10	P1V-S030AD140
0,30	600	300	9,60	14,30	8.0	G1/4	10	P1V-S030AD060
0,30	280	140	20,50	26,00	8.0	G1/4	10	P1V-S030AD028
0,30	230	115	24,00	36,00	8.0	G1/4	10	P1V-S030AD023
0,30	100	50	57,00	85,50	8.0	G1/4	10	P1V-S030AD010
0,30	50	25	36,00*	36,00*	8.0	G1/4	10	P1V-S030AD005


* Max allowed torque

P1V-S Accessories

Flange

	For air motor	For drilling motor	Order code
	P1V-S002		P1V-S4002B
	P1V-S008	P1V-S008	P1V-S4008B
	P1V-S012		P1V-S4012B
	P1V-S020	P1V-S025	P1V-S4020B
	P1V-S030	P1V-S040	P1V-S4030B
	P1V-S060		P1V-S4060B
	P1V-S120		P1V-S4120B

Foot

	For air motor	For drilling motor	Order code
	P1V-S008	P1V-S008	P1V-S4008F
	P1V-S012		P1V-S4012F
	P1V-S020	P1V-S025	P1V-S4020F
	P1V-S030	P1V-S040	P1V-S4030F
	P1V-S020A0011		P1V-S4020C
	P1V-S020A0006		P1V-S4020C
	P1V-S020A0023		P1V-S4020C
	P1V-S020A0010		P1V-S4020C
	P1V-S060		P1V-S4060F
	P1V-S120		P1V-S4120F

Design Variants

Drilling, milling and grinding motors

A large number of drilling motors, milling motors and grinding motors have been developed using the P1V-S as the base motor in order to make it easier to install air motors in machining applications. These motors are all equipped with standard vanes for intermittent lubrication-free operation, although it is recommended to use oil mist if you are planning to operate them for extended periods.

Note! These motors are not made of 100% stainless steel.

Drilling motors are available with power ratings of 80, 170, 250 and 400 Watts, and several different speeds for the machining of a range of materials. They can be fitted with collet chucks, drill chucks and quick-release chucks. Many of them also have accessories allowing the exhaust air to be removed.

The milling motor, with a power rating of 400 Watts, runs at a relatively high speed, and is fitted with a collet chuck for a shaft diameter of 8 mm. It is equipped with strong bearings able to handle greater shear forces on the spindle.

The grinding motor, with a power rating of 200 Watts, is fitted with a collet chuck for a shaft diameter of 8 mm and runs at a relatively high speed. It is equipped with strong bearings able to handle greater shear forces on the spindle.

The design principle of the 90 Watt grinding motor is different from the others. The turbine principle means that high speeds are possible without the need for lubrication.



Feed movement in drilling, milling and grinding motors

A slow and even feed movement is necessary in machining applications. During drilling, the feed must not uncontrollably speed up once the drill breaks through the material. One good way of solving the problem is to use a pneumatic cylinder for the feed, which is able to provide force during drilling and a rapid approach before the actual drilling phase. Feed during the drilling phase is controlled using a hydraulic brake cylinder (HYDROCHECK) fitted in parallel with the pneumatic cylinder. This provides even, slow and safe feed movement, without the risk of the uncontrolled feed described above.

Note: All air motors can be operated oil-free without special adaptation with only a 20% reduction of power.

Operating information

Working pressure:	Max 7 bar
Working temperature:	-30°C to +100°C
Medium:	40 µm filtered oil mist (unlubricated for grinding motor P1V-S009)

For more information see www.parker.com/euro_pneumatic

P1V-M is a series of air motors, with planetary gearbox and motor made of black varnished steel. Its robustness makes it suitable for all normal air motor applications.

The range contains three different sizes with power ratings of 200, 400 or 600 Watts, shaft speeds ranging from 29 rpm to 10000 rpm, and torques up to 401 Nm at maximum power (more than 800 Nm torque if the motor is braked to stationary).

The standard range includes a total of 27 versions, covering all possible requirements for these power ratings.

- Power 0,2 kW, 0,4 kW and 0,6 kW
- Patented method for simple change of vanes
- Free speeds from 28 up to 10000 rpm
- Torque from 0,38 Nm up to 380NM by max output power
- Standard equipped with flange mounting
- Foot mountings as accessories

Note: All air motors can be operated oil-free without special adaptation with only a 20% reduction of power.



Operating information

Working pressure	Max 7 bar
Working temperature	-30 °C to +100 °C
Medium	Filtered dry air and oil mist, purity class ISO 8573-1 class 3.-.5 for indoor use and with a dew point lower than ambient temperature for outdoor use.

P1V-M020A, 200 watt motor with flange

Max power kW	Free speed r/Min	Speed at max power r/Min	Torque at max power Nm	Min start torque Nm	Air consumption at max power l/s	Conn.	Min pipe ID mm	Weight Kg	Order code
0,200	10 000	5 000	0,38	0,57	6,5	G1/8	10	1,94	P1V-M020A0A00
0,200	2 890	1 445	1,31	1,97	6,5	G1/8	10	1,94	P1V-M020A0290
0,200	1 466	733	2,59	3,89	6,5	G1/8	10	1,94	P1V-M020A0150
0,200	810	405	4,69	7,04	6,5	G1/8	10	2,94	P1V-M020A0081
0,200	413	206	9,20	13,81	6,5	G1/8	10	2,94	P1V-M020A0041
0,200	209	105	18,14	27,21	6,5	G1/8	10	2,94	P1V-M020A0021
0,200	90	45	42,34	63,50	6,5	G1/8	10	7,44	P1V-M020A0009
0,200	59	29	64,76	97,15	6,5	G1/8	10	7,44	P1V-M020A0006
0,200	30	15	126,99	190,48	6,5	G1/8	10	7,44	P1V-M020A0003

P1V-M040A, 400 watt motor with flange

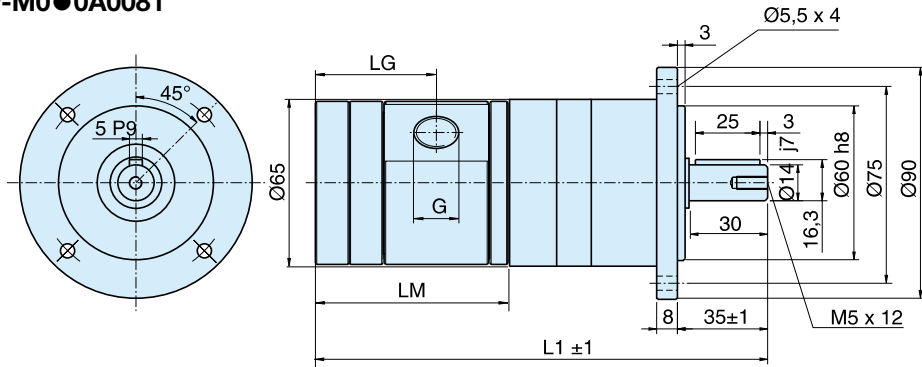
Max power kW	Free speed r/Min	Speed at max power r/Min	Torque at max power Nm	Min start torque Nm	Air consumption at max power l/s	Conn.	Min pipe ID mm	Weight Kg	Order code
0,400	10 000	5 000	0,76	1,15	9,5	G3/8	12	2,32	P1V-M040A0A00
0,400	2 890	1 445	2,63	3,98	9,5	G3/8	12	2,32	P1V-M040A0290
0,400	1 466	733	5,18	7,84	9,5	G3/8	12	2,32	P1V-M040A0150
0,400	810	405	9,39	14,20	9,5	G3/8	12	4,32	P1V-M040A0081
0,400	413	206	18,41	27,85	9,5	G3/8	12	4,32	P1V-M040A0041
0,400	209	105	36,28	54,90	9,5	G3/8	12	4,32	P1V-M040A0021
0,400	90	45	84,67	128,12	9,5	G3/8	12	7,82	P1V-M040A0009
0,400	59	29	129,53	195,99	9,5	G3/8	12	7,82	P1V-M040A0006
0,400	30	15	253,98	384,31	9,5	G3/8	12	7,82	P1V-M040A0003

P1V-M060A, 600 watt motor with flange

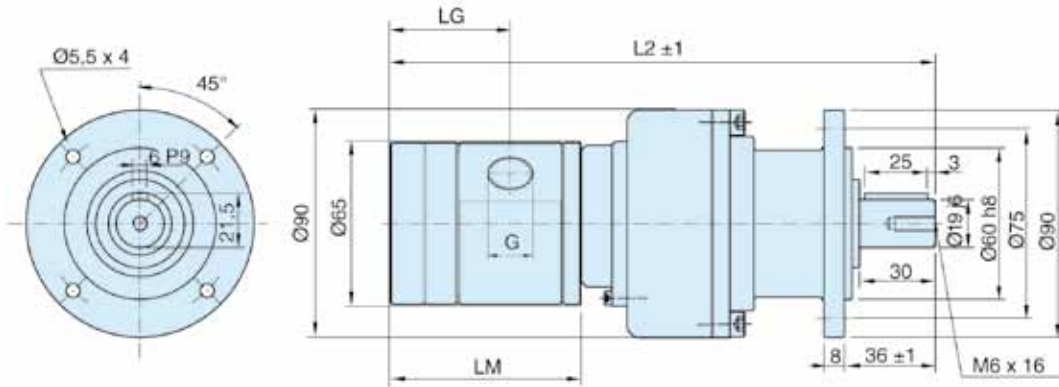
Max power kW	Free speed r/Min	Speed at max power r/Min	Torque at max power Nm	Min start torque Nm	Air consumption at max power l/s	Conn.	Min pipe ID mm	Weight Kg	Order code
0,600	10 000	5 000	1,14	1,71	15,0	G3/8	12	5,59	P1V-M060A0A00
0,600	2 890	1 445	3,94	5,92	15,0	G3/8	12	5,59	P1V-M060A0290
0,600	1 466	733	7,77	11,66	15,0	G3/8	12	5,59	P1V-M060A0150
0,600	810	405	14,08	21,12	15,0	G3/8	12	6,59	P1V-M060A0081
0,600	413	206	27,61	41,42	15,0	G3/8	12	6,59	P1V-M060A0041
0,600	209	105	54,42	81,64	15,0	G3/8	12	6,59	P1V-M060A0021
0,600	90	45	127,01	190,51	15,0	G3/8	12	11,09	P1V-M060A0009
0,600	59	29	194,29	291,44	15,0	G3/8	12	11,09	P1V-M060A0006
0,600	30	15	380,97	571,45	15,0	G3/8	12	11,09	P1V-M060A0003

Dimensions

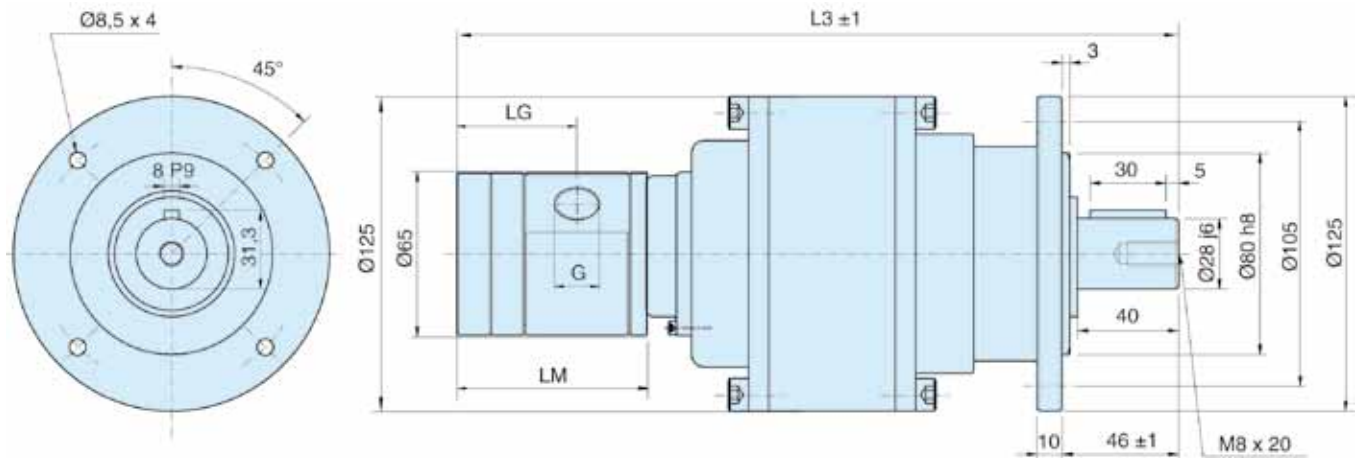
- Motor P1V-M0●0A0A00
- Motor P1V-M0●0A0290
- Motor P1V-M0●0A0150
- Motor P1V-M0●0A0081



- Motor P1V-M0●0A0041
- Motor P1V-M0●0A0021
- Motor P1V-M0●0A0009



- Motor P1V-M0●0A0006
- Motor P1V-M0●0A0003



Motor type	G	LG	LM	L1	L2	L3
P1V-M020A	G1/8	39,0	57,5	160,5	197,5	267,5
P1V-M040A	G3/8	49,0	77,5	180,5	217,5	287,5
P1V-M060A	G3/8	56,5	92,0	195,0	232,0	302,0

Large Air Motors

These large motors are designed for use in the most arduous applications, requiring considerable power, torque, robustness and reliability



Note: All air motors can be operated oil-free without special adaptation with only a 20% reduction of power.

Operating information

Working pressure: Max 7 bar
 Temperature range: -30°C to +100°C
 Medium: Filtered dry air and oil mist, purity class ISO 8573-1 class 3.-.5 for indoor use and with a dew point lower than ambient temperature for outdoor use
 For more information see www.parker.com/euro_pneumatic

Data for reversible air motor

Max power	Free speed	Speed at max power	Torque at at max power	Min start torque	Air consumption at max power	Conn.	Min pipe ID	Weight	Order code
kW	rpm	rpm	Nm	Nm	m ³ /min		mm	Kg	
5,1	6000	3000	16.2	24.4	6.2	G1	25	27	P1V-B510A0600
9	6000	3000	28.6	43	10	G1	25	25	P1V-B900A0600
18	6000	3000	57	85	20	G2	43	54	P1V-BJ00A0600

Technical data:

Working pressure: Max 7 bar
 Working temperature: -30 °C to +100 °C
 Medium: Filtered dry air and oil mist, purity class ISO 8573-1 class 3.-.5 for indoor use and with a dew point lower than ambient temperature for outdoor use.

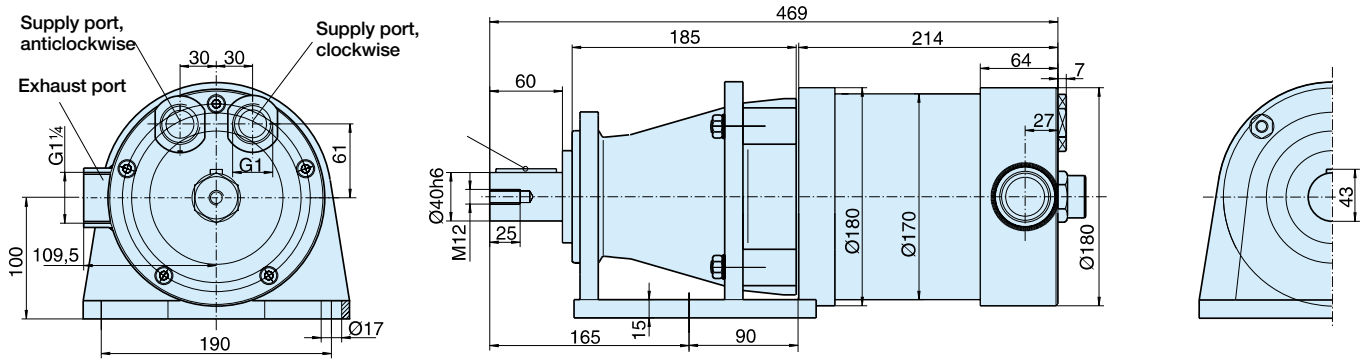
Air motor size	P1V-B510	P1V-B900	P1V-BJ00
Nominal power (kW)	5.1	9	18
Working pressure (bar)	3 to 7		
Working temperature (°C)	-30 to +100		
Air flow required (NI/min)	6200	10000	20000
Min pipe ID, inlet (mm)	25	25	43
Min pipe ID, outlet (mm)	25	25	43
Medium	40µm filtered, oil mist or dry unlubricated compressed air		
Oil free operation, indoor	ISO8573-1 purity class 3.4.1		
Oil free operation, outdoor	ISO8573-1 purity class 1.2.1		
Oil operation	1-2 drop per cube meter, ISO8573-1 purity class 3.-.5		
Recommended oil	Foodstuffs industry Klüberoil 4 UH 1-32		
Shaft radial force (N)	7500	7500	7500
Shaft axial force (N)	11000	11000	11000

Material specification

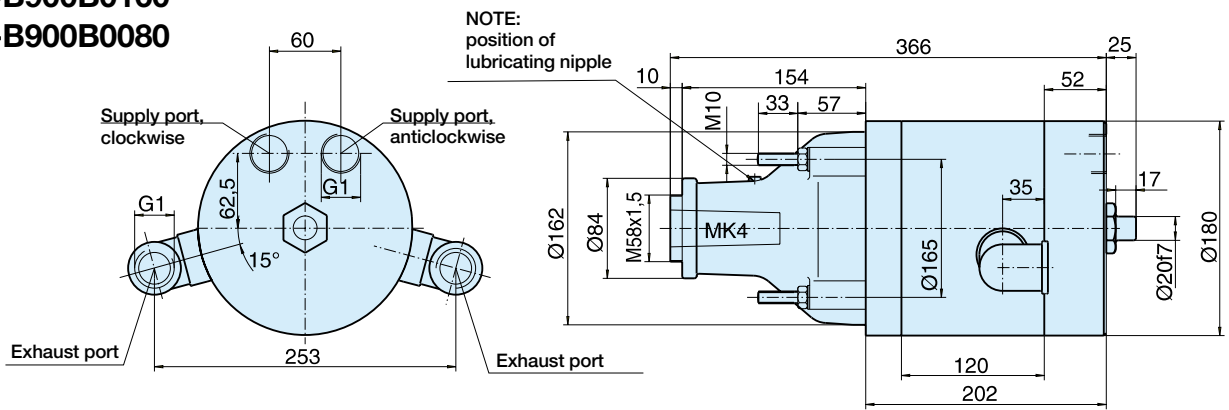
Motor housing: Painted steel
 Output shaft: Hardened steel

Note: All technical data is based on a working pressure of 6 bar.

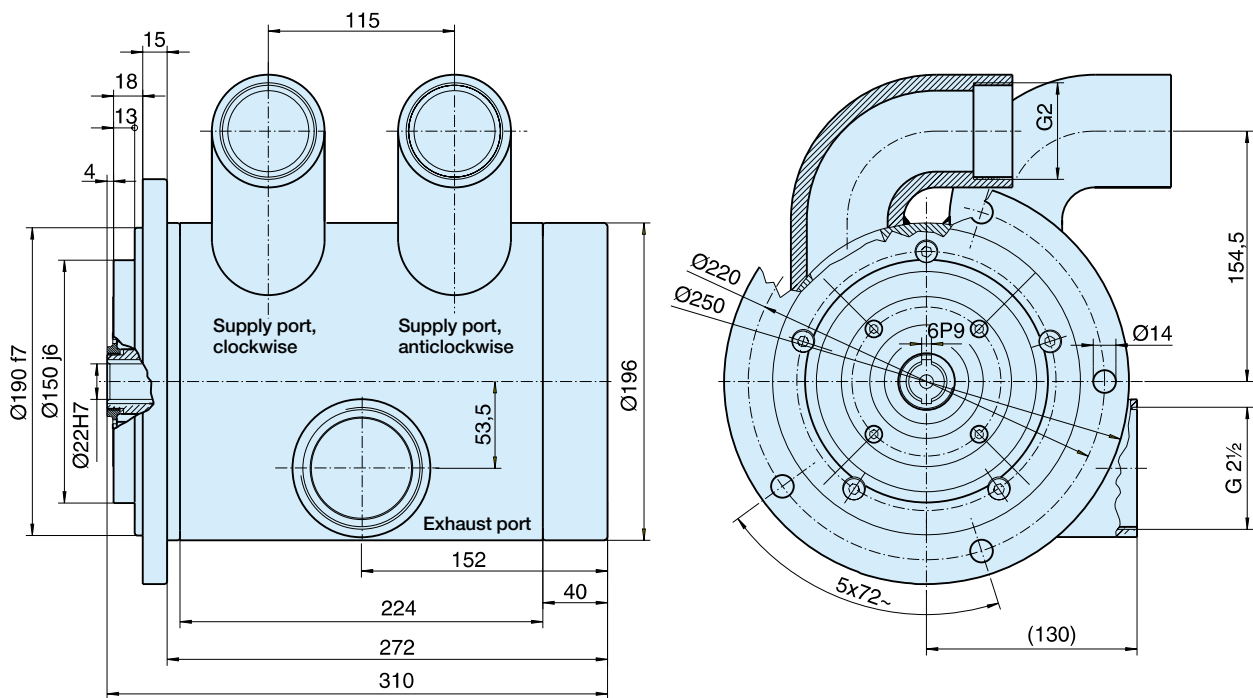
P1V-B510A0060



P1V-B900B0160
P1V-B900B0080



P1V-BJ00C0600



Radial piston air motors P1V-P

P1V-P is a range of air motors using the radial piston principle. Radial piston motors can operate at a low speed while delivering high torque. The low speed keeps the noise level to a minimum, making this type of motor suitable for all applications that are subject to stringent noise level requirements.

- Three basic motors with 73.5, 125 and 228 watt power at 5 bar supply pressure
- Various gearboxes are available for these motors, to provide the right speed and torque for every application
- Equipped with a spring-loaded braking unit
- The medium used by the P1V-P is oil mist. This makes the motors unique in that they require no servicing at all.



Operating information

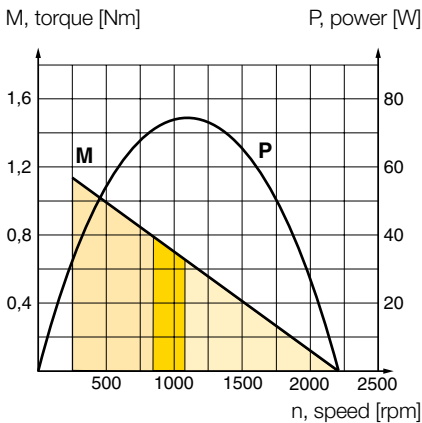
Working pressure: Max 6 bar
 Temperature range: -10°C to +70°C
 Medium: Oil mist, dry compressed air purity class 3.4.4 according to ISO8573-1
 Gearboxes: Grease lubricated

For more information see www.parker.com/euro_pneumatic

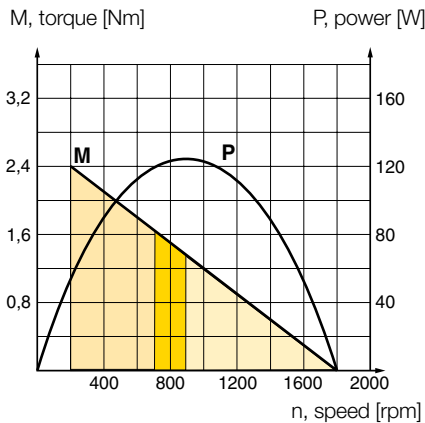
Order key

P1V-P	012	F	B	0060
Motor size	Function	Function	Free speed/min	
007 74 W	A Basic motor	0 Standard	2200 2200	
012 125 W	B Flange version	B Brake	- -	
023 228 W	F Foot version		0007 7	
Air motor range				
P1V-P	Radial piston motor			

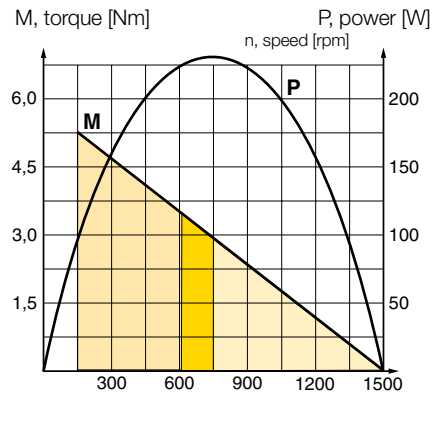
P1V-P0072200**



P1V-P0121800**

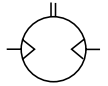


P1V-P0231500**



Possible working range of motor.
 Optimum working range of motor.
 Working range with shorter service life.

Note! All technical data is based on a working pressure of 5 bar.



Data for reversible basic motor

Max power kW	Speed at max power rpm	Torque at max power Nm	Min start torque Nm	Stall torque Nm	Brake torque Nm	Air consumption at max power l/s	Conn.	Min pipe ID mm	Weight Kg	Order code
0,0735	1100	0,637	0,686	1,18	-	3,34	G1/4	6	1,45	P1V-P007A02200
0,125	900	1,37	1,96	2,94	-	4,34	G1/4	10	2,5	P1V-P012A01800
0,228	750	2,94	4,71	5,88	-	6,67	G3/8	10	4,6	P1V-P023A01500

Data for reversible basic motor with flange

Max power kW	Speed at max power rpm	Torque at max power Nm	Min start torque Nm	Stall torque Nm	Brake torque Nm	Air consumption at max power l/s	Conn.	Min pipe ID mm	Weight Kg	Order code
0,0735	1100	0,637	0,686	1,18	-	3,34	G1/4	6	1,45	P1V-P007B02200
0,125	900	1,37	1,96	2,94	-	4,34	G1/4	10	2,5	P1V-P012B01800
0,228	750	2,94	4,71	5,88	-	6,67	G3/8	10	4,6	P1V-P023B01500

Data for reversible basic motor with foot

Max power kW	Speed at max power rpm	Torque at max power Nm	Min start torque Nm	Stall torque Nm	Brake torque Nm	Air consumption at max power l/s	Conn.	Min pipe ID mm	Weight Kg	Order code
0,0735	1100	0,637	0,686	1,18	-	3,34	G1/4	6	1,45	P1V-P007F02200
0,125	900	1,37	1,96	2,94	-	4,34	G1/4	10	2,5	P1V-P012F01800
0,228	750	2,94	4,71	5,88	-	6,67	G3/8	10	4,6	P1V-P023F01500

Note! All technical data is based on a working pressure of 5 bar.



Data for reversible basic motor with brake

Max power kW	Speed at max power rpm	Torque at max power Nm	Min start torque Nm	Stall torque Nm	Brake torque Nm	Air consumption at max power l/s	Conn.	Min pipe ID mm	Weight Kg	Order code
0,125	900	1,37	1,96	2,94	3,24	4,34	G1/4	10	4,4	P1V-P012AB1800
0,228	750	2,94	4,71	5,88	6,47	6,67	G3/8	10	7,8	P1V-P023AB1500

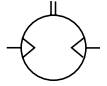
Data for reversible basic motor with brake and flange

Max power kW	Speed at max power rpm	Torque at max power Nm	Min start torque Nm	Stall torque Nm	Brake torque Nm	Air consumption at max power l/s	Conn.	Min pipe ID mm	Weight Kg	Order code
0,125	900	1,37	1,96	2,94	3,24	4,34	G1/4	10	4,4	P1V-P012BB1800
0,228	750	2,94	4,71	5,88	6,47	6,67	G3/8	10	7,8	P1V-P023BB1500

Data for reversible basic motor with brake and foot

Max power kW	Speed at max power rpm	Torque at max power Nm	Min start torque Nm	Stall torque Nm	Brake torque Nm	Air consumption at max power l/s	Conn.	Min pipe ID mm	Weight Kg	Order code
0,125	900	1,37	1,96	2,94	3,24	4,34	G1/4	10	5,2	P1V-P012FB1800
0,228	750	2,94	4,71	5,88	6,47	6,67	G3/8	10	9,4	P1V-P023FB1500

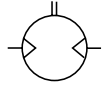
Note! All technical data is based
on a working pressure of 5 bar.



Data for reversible motor with gearbox and flange

Max power kW	Speed at max power rpm	Torque at max power Nm	Min start torque Nm	Stall torque Nm	Brake torque Nm	Air consumption at max power l/s	Conn.	Min pipe ID mm	Weight Kg	Order code
0,0662	220	2,84	2,94	4,90	-	3,34	G1/4	6	4,0	P1V-P007B00440
0,0662	110	5,69	5,88	9,81	-	3,34	G1/4	6	4,0	P1V-P007B00220
0,0662	73,3	8,53	8,83	15,7	-	3,34	G1/4	6	4,0	P1V-P007B00147
0,0662	55	11,5	11,8	20,6	-	3,34	G1/4	6	4,0	P1V-P007B00110
0,110	180	5,88	8,83	12,7	-	4,34	G1/4	10	6,7	P1V-P012B00360
0,110	90	11,8	17,7	26,5	-	4,34	G1/4	10	6,7	P1V-P012B00180
0,110	60	17,7	26,5	39,2	-	4,34	G1/4	10	6,7	P1V-P012B00120
0,110	45	23,5	35,3	53,0	-	4,34	G1/4	10	6,7	P1V-P012B00090
0,110	30	35,3	53,0	78,5	-	4,34	G1/4	10	8,7	P1V-P012B00060
0,110	22,5	47,1	70,6	106	-	4,34	G1/4	10	8,7	P1V-P012B00050
0,110	18	58,8	79,4	132	-	4,34	G1/4	10	8,7	P1V-P012B00040
0,110	15	70,6	106	157	-	4,34	G1/4	10	8,7	P1V-P012B00030
0,110	11,2	93,2	139	206	-	4,34	G1/4	10	8,7	P1V-P012B00022
0,103	9	118	175	250	-	4,34	G1/4	10	11,7	P1V-P012B00018
0,103	7,5	137	206	300	-	4,34	G1/4	10	11,7	P1V-P012B00015
0,103	5,6	176	261	373	-	4,34	G1/4	10	11,7	P1V-P012B00012
0,103	4,5	233	350	500	-	4,34	G1/4	10	11,7	P1V-P012B00009
0,199	150	12,7	20,6	26,5	-	6,67	G3/8	10	10,5	P1V-P023B00300
0,199	75	26,5	41,2	53,0	-	6,67	G3/8	10	10,5	P1V-P023B00150
0,199	50	39,2	61,8	79,4	-	6,67	G3/8	10	10,5	P1V-P023B00100
0,199	37,5	53,0	82,4	106	-	6,67	G3/8	10	10,5	P1V-P023B00075
0,199	25	78,5	124	159	-	6,67	G3/8	10	14,0	P1V-P023B00050
0,199	18,7	106	165	212	-	6,67	G3/8	10	14,0	P1V-P023B00038
0,199	15	132	206	265	-	6,67	G3/8	10	14,0	P1V-P023B00030
0,199	12,5	157	247	318	-	6,67	G3/8	10	14,0	P1V-P023B00025
0,199	9,3	203	314	402	-	6,67	G3/8	10	14,0	P1V-P023B00018
0,191	7,5	250	392	490	-	6,67	G3/8	10	20,5	P1V-P023B00015
0,191	6,2	300	471	598	-	6,67	G3/8	10	20,5	P1V-P023B00012
0,191	4,6	396	628	785	-	6,67	G3/8	10	20,5	P1V-P023B00009
0,191	3,7	500	785	981	-	6,67	G3/8	10	20,5	P1V-P023B00007

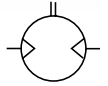
Note! All technical data is based
on a working pressure of 5 bar.



Data for reversible motor with gearbox and foot

Max power kW	Speed at max power rpm	Torque at max power Nm	Min start torque Nm	Stall torque Nm	Brake torque Nm	Air consumption at max power l/s	Conn.	Min pipe ID mm	Weight Kg	Order code
0,0662	220	2,84	2,94	4,90	-	3,34	G1/4	6	3,5	P1V-P007F00440
0,0662	110	5,69	5,88	9,81	-	3,34	G1/4	6	4,0	P1V-P007F00220
0,0662	73,3	8,53	8,83	15,7	-	3,34	G1/4	6	3,5	P1V-P007F00147
0,0662	55	11,5	11,8	20,6	-	3,34	G1/4	6	3,5	P1V-P007F00110
0,110	180	5,88	8,83	12,7	-	4,34	G1/4	10	6,2	P1V-P012F00360
0,110	90	11,8	17,7	26,5	-	4,34	G1/4	10	6,2	P1V-P012F00180
0,110	60	17,7	26,5	39,2	-	4,34	G1/4	10	6,2	P1V-P012F00120
0,110	45	23,5	35,3	53,0	-	4,34	G1/4	10	6,2	P1V-P012F00090
0,110	30	35,3	53,0	78,5	-	4,34	G1/4	10	8,2	P1V-P012F00060
0,110	22,5	47,1	70,6	106	-	4,34	G1/4	10	8,2	P1V-P012F00050
0,110	18	58,8	79,4	132	-	4,34	G1/4	10	8,2	P1V-P012F00040
0,110	15	70,6	106	157	-	4,34	G1/4	10	8,2	P1V-P012F00030
0,110	11,2	93,2	139	206	-	4,34	G1/4	10	8,2	P1V-P012F00022
0,103	9	118	175	250	-	4,34	G1/4	10	11,2	P1V-P012F00018
0,103	7,5	137	206	300	-	4,34	G1/4	10	11,2	P1V-P012F00015
0,103	5,6	176	261	373	-	4,34	G1/4	10	11,2	P1V-P012F00012
0,103	4,5	233	350	500	-	4,34	G1/4	10	11,2	P1V-P012F00009
0,199	150	12,7	20,6	26,5	-	6,67	G3/8	10	10,0	P1V-P023F00300
0,199	75	26,5	41,2	53,0	-	6,67	G3/8	10	10,0	P1V-P023F00150
0,199	50	39,2	61,8	79,4	-	6,67	G3/8	10	10,0	P1V-P023F00100
0,199	37,5	53,0	82,4	106	-	6,67	G3/8	10	10,0	P1V-P023F00075
0,199	25	78,5	124	159	-	6,67	G3/8	10	13,5	P1V-P023F00050
0,199	18,7	106	165	212	-	6,67	G3/8	10	13,5	P1V-P023F00038
0,199	15	132	206	265	-	6,67	G3/8	10	13,5	P1V-P023F00030
0,199	12,5	157	247	318	-	6,67	G3/8	10	13,5	P1V-P023F00025
0,199	9,3	203	314	402	-	6,67	G3/8	10	13,5	P1V-P023F00018
0,191	7,5	250	392	490	-	6,67	G3/8	10	20,0	P1V-P023F00015
0,191	6,2	300	471	598	-	6,67	G3/8	10	20,0	P1V-P023F00012
0,191	4,6	396	628	785	-	6,67	G3/8	10	20,0	P1V-P023F00009
0,191	3,7	500	785	981	-	6,67	G3/8	10	20,0	P1V-P023F00007

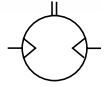
Note! All technical data is based
on a working pressure of 5 bar.



Data for reversible motor with gearbox, brake and flange

Max power kW	Speed at max power rpm	Torque at max power Nm	Min start torque Nm	Stall torque Nm	Brake torque Nm	Air consumption at max power l/s	Conn.	Min pipe ID mm	Weight Kg	Order code
0,110	180	5,88	8,83	12,7	14,7	4,34	G1/4	10	8,0	P1V-P012BB0360
0,110	90	11,8	17,7	26,5	29,4	4,34	G1/4	10	8,0	P1V-P012BB0180
0,110	60	17,7	26,5	39,2	44,1	4,34	G1/4	10	8,0	P1V-P012BB0120
0,110	45	23,5	35,3	53,0	58,8	4,34	G1/4	10	8,0	P1V-P012BB0090
0,110	30	35,3	53,0	78,5	88,3	4,34	G1/4	10	10,0	P1V-P012BB0060
0,110	22,5	47,1	70,6	106	118	4,34	G1/4	10	10,0	P1V-P012BB0050
0,110	18	58,8	79,4	132	147	4,34	G1/4	10	10,0	P1V-P012BB0040
0,110	15	70,6	106	157	177	4,34	G1/4	10	10,0	P1V-P012BB0030
0,110	11,2	93,2	139	206	235	4,34	G1/4	10	10,0	P1V-P012BB0022
0,103	9	118	175	250	283	4,34	G1/4	10	11,7	P1V-P012BB0018
0,103	7,5	137	206	300	339	4,34	G1/4	10	13,0	P1V-P012BB0015
0,103	5,6	176	261	373	453	4,34	G1/4	10	13,0	P1V-P012BB0012
0,103	4,5	233	350	500	567	4,34	G1/4	10	13,0	P1V-P012BB0009
0,199	150	12,7	20,6	26,5	29,4	6,67	G3/8	10	13,5	P1V-P023BB0300
0,199	75	26,5	41,2	53,0	58,8	6,67	G3/8	10	13,5	P1V-P023BB0150
0,199	50	39,2	61,8	79,4	88,3	6,67	G3/8	10	13,5	P1V-P023BB0100
0,199	37,5	53,0	82,4	106	118	6,67	G3/8	10	13,5	P1V-P023BB0075
0,199	25	78,5	124	159	177	6,67	G3/8	10	17,0	P1V-P023BB0050
0,199	18,7	106	165	212	235	6,67	G3/8	10	17,0	P1V-P023BB0038
0,199	15	132	206	265	294	6,67	G3/8	10	17,0	P1V-P023BB0030
0,199	12,5	157	247	318	353	6,67	G3/8	10	17,0	P1V-P023BB0025
0,199	9,3	203	314	402	471	6,67	G3/8	10	17,0	P1V-P023BB0018
0,191	7,5	250	392	490	549	6,67	G3/8	10	24,5	P1V-P023BB0015
0,191	6,2	300	471	598	657	6,67	G3/8	10	24,5	P1V-P023BB0012
0,191	4,6	396	628	785	873	6,67	G3/8	10	24,5	P1V-P023BB0009
0,191	3,7	500	785	981	1100	6,67	G3/8	10	24,5	P1V-P023BB0007

Note! All technical data is based
on a working pressure of 5 bar.



Data for reversible motor with gearbox, brake and foot

Max power kW	Speed at max power rpm	Torque at max power Nm	Min start torque Nm	Stall torque Nm	Brake torque Nm	Air consumption at max power l/s	Conn.	Min pipe ID mm	Weight Kg	Order code
0,110	180	5,88	8,83	12,7	14,7	4,34	G1/4	10	8,5	P1V-P012FB0360
0,110	90	11,8	17,7	26,5	29,4	4,34	G1/4	10	8,5	P1V-P012FB0180
0,110	60	17,7	26,5	39,2	44,1	4,34	G1/4	10	8,5	P1V-P012FB0120
0,110	45	23,5	35,3	53,0	58,8	4,34	G1/4	10	8,5	P1V-P012FB0090
0,110	30	35,3	53,0	78,5	88,3	4,34	G1/4	10	10,5	P1V-P012FB0060
0,110	22,5	47,1	70,6	106	118	4,34	G1/4	10	10,5	P1V-P012FB0050
0,110	18	58,8	79,4	132	147	4,34	G1/4	10	10,5	P1V-P012FB0040
0,110	15	70,6	106	157	177	4,34	G1/4	10	10,5	P1V-P012FB0030
0,110	11,2	93,2	139	206	235	4,34	G1/4	10	10,5	P1V-P012FB0022
0,103	9	118	175	250	283	4,34	G1/4	10	13,5	P1V-P012FB0018
0,103	7,5	137	206	300	339	4,34	G1/4	10	13,5	P1V-P012FB0015
0,103	5,6	176	261	373	453	4,34	G1/4	10	13,5	P1V-P012FB0012
0,103	4,5	233	350	500	567	4,34	G1/4	10	13,5	P1V-P012FB0009
0,199	150	12,7	20,6	26,5	29,4	6,67	G3/8	10	13,0	P1V-P023FB0300
0,199	75	26,5	41,2	53,0	58,8	6,67	G3/8	10	13,0	P1V-P023FB0150
0,199	50	39,2	61,8	79,4	88,3	6,67	G3/8	10	13,0	P1V-P023FB0100
0,199	37,5	53,0	82,4	106	118	6,67	G3/8	10	13,0	P1V-P023FB0075
0,199	25	78,5	124	159	177	6,67	G3/8	10	16,5	P1V-P023FB0050
0,199	18,7	106	165	212	235	6,67	G3/8	10	16,5	P1V-P023FB0038
0,199	15	132	206	265	294	6,67	G3/8	10	16,5	P1V-P023FB0030
0,199	12,5	157	247	318	353	6,67	G3/8	10	16,5	P1V-P023FB0025
0,199	9,3	203	314	402	471	6,67	G3/8	10	16,5	P1V-P023FB0018
0,191	7,5	250	392	490	549	6,67	G3/8	10	24,0	P1V-P023FB0015
0,191	6,2	300	471	598	657	6,67	G3/8	10	24,0	P1V-P023FB0012
0,191	4,6	396	628	785	873	6,67	G3/8	10	24,0	P1V-P023FB0009
0,191	3,7	500	785	981	1100	6,67	G3/8	10	24,0	P1V-P023FB0007

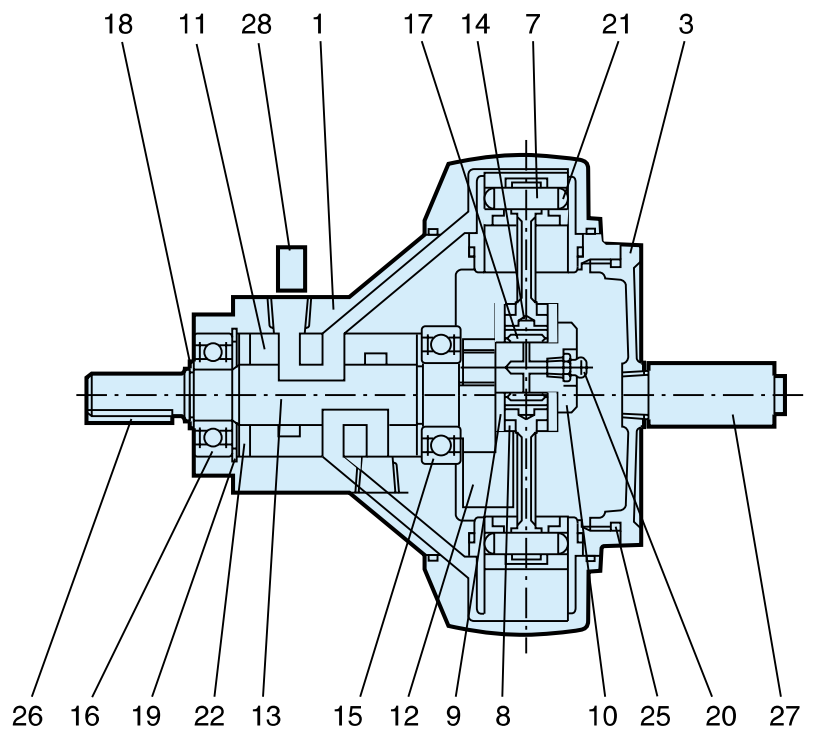
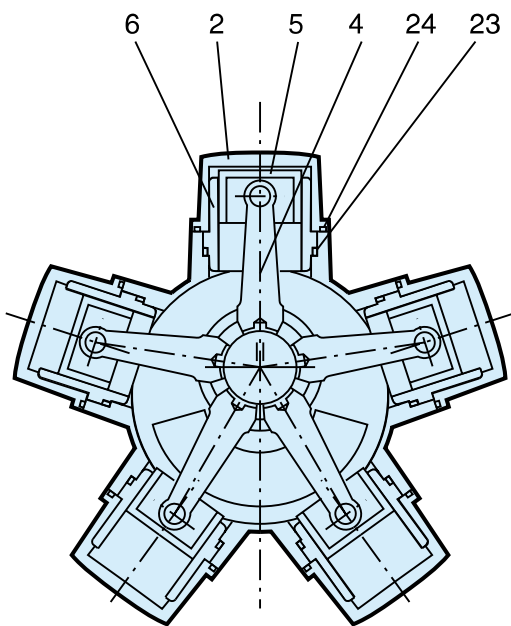
Material specification

Nr	Designation	Material	Qty.
1	housing	Aluminium alloy casting	1
2	Cylinder cover	Aluminium alloy die-casting	3(5)
3	End cover	Synthetic resin	1
4	Connection rod	Aluminium alloy die-casting	3(5)
5	Piston	Brass casting	3(5)
6	Sleeve	Grey cast iron	3(5)
7	Piston pin	Carbon steel	3(5)
8	Ring	Carbon steel	2
9	Thrust washer	Carbon steel	2
10	Crank pin	Chromium-Molybdenum steel	1
11	Valve bush	Grey cast iron	1
12	Balance weight	Carbon steel	1
13	Shaft	Chrome-Molybdenum steel	1
14	Liner	Synthetic resin	3(5)

Nr	Designation	Material	Qty.
15	Bearing	-	1
16	Bearing	-	1
17	Needle bearing	-	1
18	Snap ring	-	1
19	Snap ring	-	1
20	Grease nipple	-	1
21	Copper rivet	-	6(10)
22	Oil seal	Nitrile rubber	1
23	O-ring	Nitrile rubber	3(5)
24	O-ring	Nitrile rubber	3(5)
25	O-ring	Nitrile rubber	3(5)
26	Parallel single key	-	1
27	Silencer	-	1
28	Adapter to G-thread	Aluminium	2

P1V-P023

P1V-P007 and P1V-P012



Rotary actuators are an efficient and easy way to generate torque from compressed air, in a very compact size. They are ideal for the compact applications in a wide range of industries such as, packaging, process, electronics etc.



- Compact design
- Durable construction
- Long maintenance-free life
- High output torque/weight ratio
- Wide choice of torques available (up to 247 Nm)
- Range of mounting option, hydro-cushioning and position sensors

Operating information

Working pressure: Max 10 bar
 Permissible fluid: Filtered (<5µ) with or without lubrication
 Standard working temperature:
 PRN/PRO 3 to 20 -5°C to +80°C
 Other models -5°C to +60°C

Prelubricated, further lubrication is not normally necessary. If additional lubrication is introduced it must be continued.
 For more information see www.parker.com/euro_pneumatic

PRN miniature (fixed oscillating angle)

Single vane	Torque at 6 bar (N.m)	Oscillating point		Order code	Oscillating angle		
		45°	90°		180°	270°	
PRNA1S	0,16		X	PRNA1S-90-90	PRNA1S-180-90		
PRNA3S	0,38		X	PRNA3S-90-90	PRNA3S-180-90		
PRNA10S	1,20		X	PRNA10S-90-90	PRNA10S-180-90		
PRNA20S	2,10		X	PRNA20S-90-90	PRNA20S-180-90		
PRN30SE	4,10	X		PRN30SE-90-45	PRN30SE-180-45	PRN30SE-270-45	
Double vane							
PRNA3D	0,65			PRNA3D-90-45			
PRNA10D	2,54			PRNA10D-90-45			
PRNA20D	4,70			PRNA20D-90-45			
PRN30DE	9,50			PRN30DE-90-45			

PRO (adjustable oscillating angle)

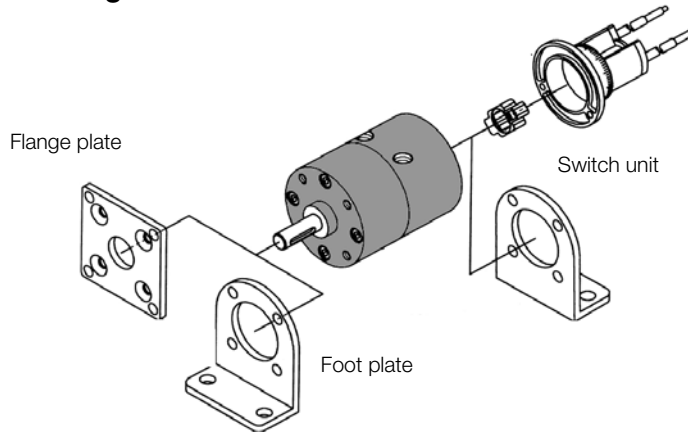
Single vane	Torque at 6bar (N.m)	Oscillating angle	Order code	Double vane	Torque at 6bar (N.m)	Oscillating angle	Order code
	0,38	30 to 180°	PROA3S-0-90		0,65	30 to 90°	PROA3D-0-45
	1,20	30 to 180°	PROA10S-0-90		2,54	30 to 90°	PROA10D-0-45
	2,10	30 to 180°	PROA20S-0-90		4,70	30 to 90°	PROA20D-0-45
	4,10	30 to 270°	PRO30SE-0-45		9,50	30 to 90°	PRO30DE-0-45

PRN high torque range (fixed oscillating angle)

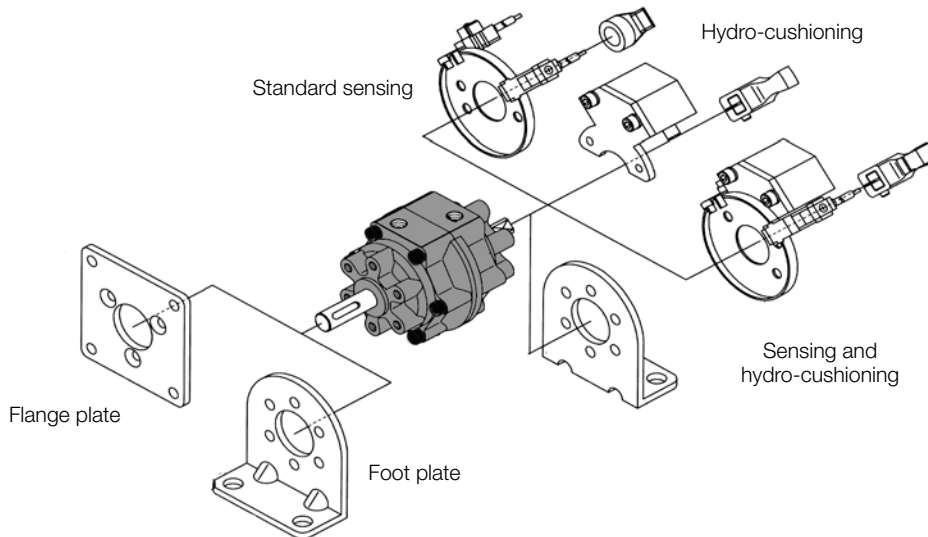
Single vane	Torque at 6 bar (N.m)	Oscillating angle	Order code
PRN50SE	5,9	90°	PRN50SE-90-45
PRN150SE	18,0	180°	PRN150SE-180-45
PRN300SE	34,5	270°	PRN300SE-270-45
PRN800SE	123,0		PRN800SE-180-45
Double vane (oscillating angle 45°)			
PRN50DE	12,8		PRN50DE-90-45
PRN150DE	41,5		PRN150DE-90-45
PRN300DE	83,0		PRN300DE-90-45
PRN800DE	247,0		PRN800DE-90-45

Design Variants

PRO and miniature PRN ranges



PRN high torque range



Hydro-cushion for PRN050 to PRN800 rotary actuators

Rotary actuator	Hydro-cushion	Claw for hydro-cushion - Oscillating angle		
		90°	180°	270°
PRN50S	CRN50	CRN50-90-45-T	CRN50-180-45-T	CRN50-270-45-T
PRN150S	CRN150	CRN150-90-45-T	CRN150-180-45-T	CRN150-270-45-T
PRN300S	CRN300	CRN300-90-45-T	CRN300-180-45-T	CRN300-270-45-T
PRN50D	CRN50	CRN50-90-45-T		
PRN150D	CRN150	CRN150-90-45-T		
PRN300D	CRN300	CRN300-90-45-T		

Vane actuators provide the maximum amount of output torque from the smallest possible envelope size. They convert pneumatic pressure into rotary motion for a wide variety of industrial applications.

Two basic styles are available. Single vane models with a maximum rotation of 280°, while the double vane units produce twice the torque output from identical envelope dimensions and have a maximum rotation of 100°.

- Double acting actuators
- Single or double vane
- Compact smooth design
- Uniform torque in both directions
- Angle adjustment and sensors available.



Operating information

Type	Double acting actuation	
Standard rotation (tolerance $\pm 1^\circ$)	Single vane	0 to 275°, size 10 to 11 0 to 280°, size 22 to 23
	Double vane	0 to 95°, size 10 to 11 0 to 100°, size 22 to 23
Temperature	-10°C to +80°C	
Air supply	Lubricated or non-lubricated	
Pressure range	2 to 10 bar max	

Basic Unit

Size	Max.rotation	Type	Shaft	Order code.
10	275°	Single	Not through rod	6V5100010F-275
	95°	Double		6V5100010F-095
11	275°	Single	Not through rod	6V5200010F-275
	95°	Double		6V5200010F-095
22	280°	Single	Through rod	6V1300030F-280
	100°	Double		6V1300030F-100
33	280°	Single	Through rod	6V2400030F-280
	100°	Double		6V2400030F-100

Angle adjustment and sensor kits

Size	Options	Order code.
22	Angle adjustment kit	6V03570
	Angle adjustment kit with sensors PNP	6V03575
	Angle adjustment kit with sensors NPN	6V03576
33	Angle adjustment Kit	6V04570
	Angle adjustment kit with sensors PNP	6V04575
	Angle adjustment kit with sensors NPN	6V04576

Complete with angle adjustment and sensors

Size	Max.rotation	Type	Shaft	Order code.
22	220°	Single	Angle adjustment kit	6V1357630F-220
	100°	Double		6V1357730F-100
	220°	Single	As above + PNP Sensors + plug	6V1357635F-220
	100°	Double		6V1357735F-100
	220°	Single	As above + NPN Sensors + plug	6V1357636F-220
	100°	Double		6V1357736F-100
33	220°	Single	Angle adjustment kit	6V2457630F-220
	100°	Double		6V2457730F-100
	220°	Single	As above + PNP Sensors + plug	6V2457635F-220
	100°	Double		6V2457735F-100
	220°	Single	As above + NPN Sensors + plug	6V2457636F-220
	100°	Double		6V2457736F-100

The RA is a double-acting rotary actuator of very compact design. It has a high torque and small installation dimensions.

The actuator has double pistons, which transmits the turning moment to the output shaft. The toothed piston rods act on the output shaft in a rack-and-pinion type arrangement. Each piston and toothed rod is of integral construction.

The rack-and-pinion type arrangement gives an even turning moment throughout the rotation movement.



- 5 unit sizes
- Torque from 20 to 200 Nm
- Turning angles of 90° or 180°
- Keyway output shaft
- Direct Namur valve connection

Operating information

Working medium:	dry, filtered compressed air
Working pressure:	Max, 10 bar
Working temperature:	-20°C to +80°C

Prelubricated, further lubrication is not normally necessary. If additional lubrication is introduced it has to be continued.

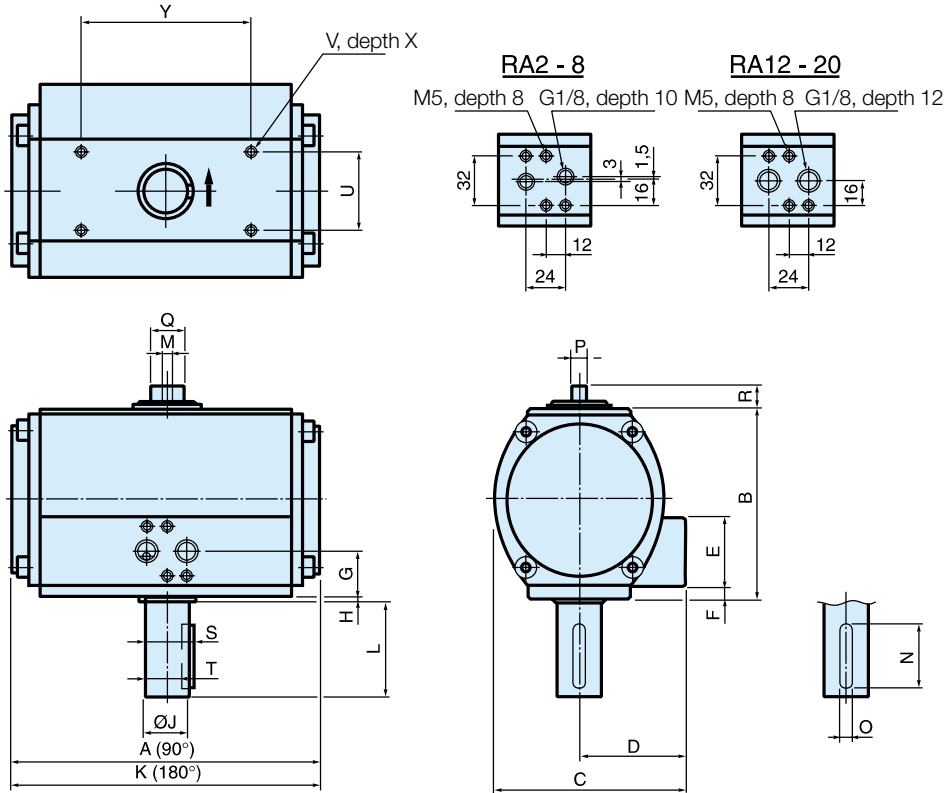
Ordering information for RA

Angle	Order code
90°	RA2-90
180°	RA2-180
90°	RA4-90
180°	RA4-180
90°	RA8-90
180°	RA8-180
90°	RA12-90
180°	RA12-180
90°	RA20-90
180°	RA20-180

Material specification

Cylinder block / end covers	Anodised aluminium, natural/black
Pistons	Aluminium
Relief surface bars	Stainless steel
Shaft	Zinc-plated steel
End cover screws	Zinc-plated steel
Seals	Nitrile rubber, NRB
Piston bearings	POM
Shaft bearings	Polyethene MOS2

Dimensions



Connection arrangements:
EURO standard
according to ISO and
Namur- VDI/VDE 3845

The turning limits
should be determined
by external stop lugs.

Designation	A	B	C	D	E	F	G	H	ØJh8	K	L	M	N	O	P
RA2	114,5	73,0	75,5	43,5	41	-	20,5	4	14	169	30	M6	19	5	7,5
RA4	133,0	90,5	87,5	47,5	41	-	20,5	4	19	215	40	M6	31	6	7,5
RA8	174,0	109,0	105,0	57,0	42	7,5	28,5	4	19	268	40	M8	31	6	11,5
RA12	203,0	118,5	121,0	67,0	43	8,0	29,5	5	28	295	60	M8	48	8	11,5
RA20	218,0	140,5	136,5	72,0	43	8,0	29,5	5	28	337	60	M8	48	8	11,5

Designation	Q	R	S	T	U	V	X	Y
RA2	13	10,0	16,0	11,0	32	M5	8	50
RA4	15	11,0	21,5	15,5	32	M5	8	73
RA8	17	13,5	21,5	15,5	40	M6	10	90
RA12	20	15,0	31,0	24,0	49	M6	10	107
RA20	25	15,0	31,0	24,0	60	M6	10	120

Table of moments at 6 bar

Designation	Moment in Nm
RA2	22,8
RA4	45,0
RA8	81,7
RA12	134,0
RA20	224,0

Spare parts

Designation	Order code
Mounting plate for VGD15 seal kits/spare kits:	9127 3864-01
RA-2-SS	9121 6799-20
RA-4-SS	9121 6799-21
RA-8-SS	9121 6799-22
RA-12-SS	9121 6799-23
RA-20-SS	9121 6799-24

Air consumption

Free air consumption in NI per double stroke at 600 kPa (6 bar).

Rotary actuator,type/ Turning angle	RA2	RA4	RA8	RA12	RA20
RA/90°	1,8	3,2	5,9	7,8	14,9
RA/180°	3,6	6,4	11,8	15,6	30

Variants available on request:

- Single-acting rotary actuator with spring return for 90°
- Non-standard turning angle
- Other surface treatments

Transforms the rectilinear motion of two single acting opposite cylinders into rotary motion via a rack and pinion drive contained within the cylinder body.



- VRA version (Ø32 to Ø80mm)
- VRA standard version (Ø32 to Ø125mm) for corrosive environments
- Rotation angles of 96°, 186° or 366°
- Optional magnetic version
- Several options are available; rotative angle adjustable stop, male shaft or female shaft (through)

Operating information

Working pressure: Max, 10 bar
Standard working temperature: -10°C to +60°C

Prelubricated, further lubrication is not normally necessary. If additional lubrication is introduced it has to be continued.

VRA - Magnetic, Female shaft, No end adjustment

Bore	Rotation Angle (°)	Order code	Bore	Rotation Angle (°)	Order code	Bore	Rotation Angle (°)	Order code
32	96	VRAM032-96FNN	50	96	VRAM050-96FNN	80	96	VRAM080-96FNN
32	186	VRAM032-186FNN	50	186	VRAM050-186FNN	80	186	VRAM080-186FNN
32	366	VRAM032-366FNN	50	366	VRAM050-366FNN	80	366	VRAM080-366FNN
Bore	Rotation Angle (°)	Order code	Bore	Rotation Angle (°)	Order code			
40	96	VRAM040-96FNN	63	96	VRAM063-96FNN			
40	186	VRAM040-186FNN	63	186	VRAM063-186FNN			
40	366	VRAM040-366FNN	63	366	VRAM063-366FNN			

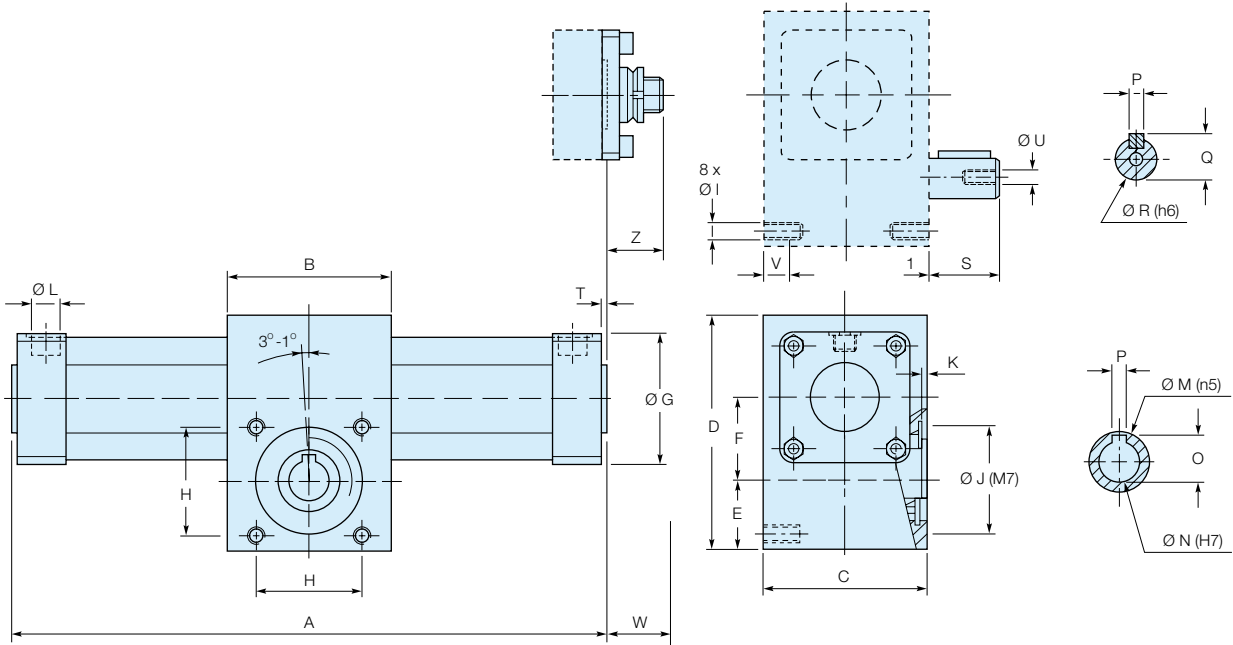
VRS - Magnetic, Female shaft, No end adjustment

Bore	Rotation Angle (°)	Order code	Bore	Rotation Angle (°)	Order code	Bore	Rotation Angle (°)	Order code
32	96	VRSM032-96FNN	63	96	VRSM063-96FNN	125	96	VRSM125-96FNN
32	186	VRSM032-186FNN	63	186	VRSM063-186FNN	125	186	VRSM125-186FNN
32	366	VRSM032-366FNN	63	366	VRSM063-366FNN	125	366	VRSM125-366FNN
Bore	Rotation Angle (°)	Order code	Bore	Rotation Angle (°)	Order code			
40	96	VRSM040-96FNN	80	96	VRSM080-96FNN			
40	186	VRSM040-186FNN	80	186	VRSM080-186FNN			
40	366	VRSM040-366FNN	80	366	VRSM080-366FNN			
Bore	Rotation Angle (°)	Order code	Bore	Rotation Angle (°)	Order code			
50	96	VRSM050-96FNN	100	96	VRSM100-96FNN			
50	186	VRSM050-186FNN	100	186	VRSM100-186FNN			
50	366	VRSM050-366FNN	100	366	VRSM100-366FNN			

For more options consult technical catalogue

Dimensions (mm)

Cylinder bores Ø 32 to 80mm



The location of the shaft key is indicated when the pistons are on the left.
First rotation as indicated (clockwise).

Ω : Rotative angle 96°, 186° or 360°

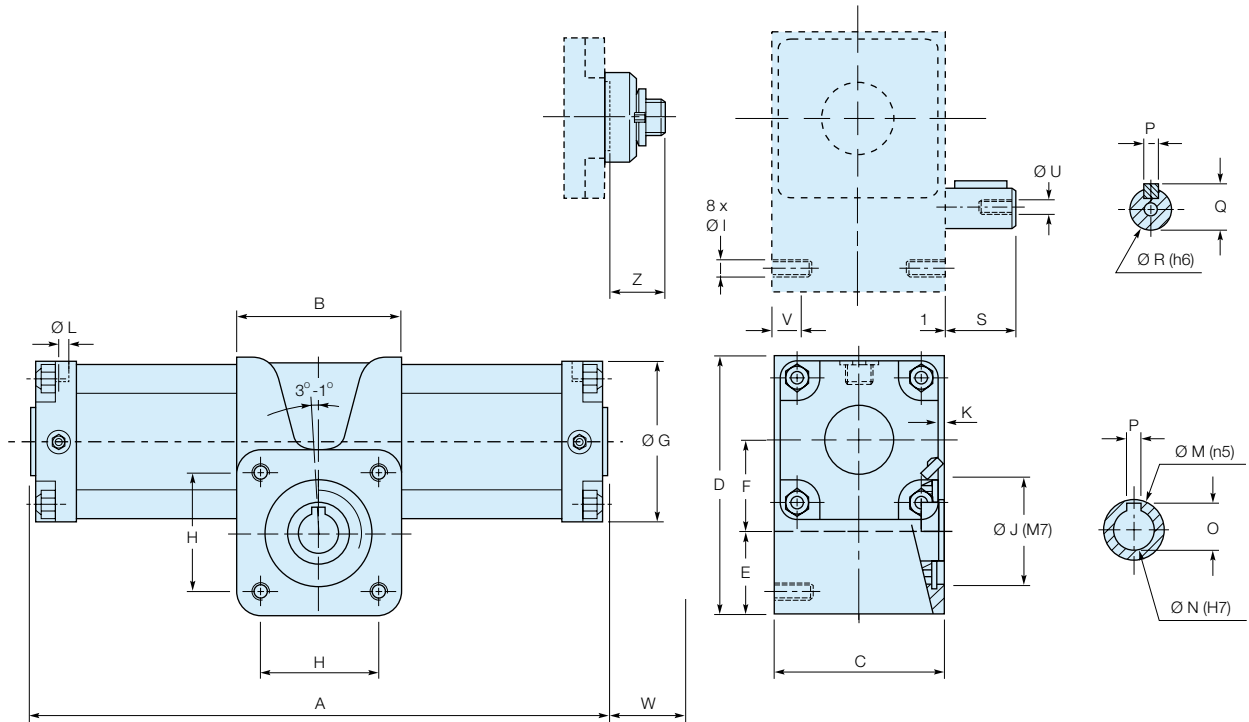
Ø	A*	B	C	D	E	F	G	H	I	J	K	L
32	128 + 0.523 Ω	50	50	72	25.0	24.0	45	35	M6	35	2.0	G1/8"
40	163 + 0.6981 Ω	65	65	95	32.5	29.5	52	47	M8	47	3.0	G1/4"
50	163 + 0.6981 Ω	65	65	95	32.5	29.5	65	47	M8	47	3.0	G1/4"
63	209 + 0.9424 Ω	95	95	126	40.0	38.0	75	62	M10	62	3.5	G3/8"
80	209 + 0.9424 Ω	95	95	126	40.0	38.0	95	62	M10	62	3.5	G3/8"

Ø	M	N	O	P	Q	R	S	T	U	V	W*	Z
32	17	10	11.7	4	13.5	12	20	2	M4 x 10	10	22	31
40	25	15	17.2	5	18.0	16	30	3	M5 x 15	12	24	35
50	25	15	17.2	5	18.0	16	30	3	M5 x 15	12	29	35
63	35	24	27.2	8	27.0	24	40	3	M8 x 20	15	32	32
80	35	24	27.2	8	27.0	24	40	3	M8 x 20	15	32	32

* Add W to A for the magnetic version (magnet on right hand side as standard).

Dimensions (mm)

Cylinder bores Ø 100 to 125mm



The location of the shaft key is indicated when the pistons are on the left. First rotation as indicated (clockwise).

Ω : Rotative angle 96°, 186° or 360°

Ø	A*	B	C	D	E	F	G	H	I	J	K	L
100	304 + 1309 Ω	130	142	188	64.0	53.5	115	90	M14	90	4.5	G1/2"
125	304 + 1309 Ω	130	142	188	64.0	53.5	140	90	M14	90	4.5	G1/2"
Ø	M	N	O	P	Q	R	S	U	V	W*	Z	
100	55	35	38.7	10	38.5	35	50	M12 x 20	24	4	38	
125	55	35	38.7	10	38.5	35	50	M12 x 20	24	4	38	

* Add W to A for the magnetic version (magnet on right hand side as standard).

Material specification

	VRS	VRA
Rack	XC40 steel	XC40 steel
Floating piston	Aluminium	Aluminium
Magnet (**M version)	Magnetic elastomer	Magnetic elastomer
Piston seals	Polyurethane	Polyurethane
Rack and pinion gear seals		Silicone
Body	Anodised aluminium	Anodised aluminium
Integrated tie rods, nuts, circlips, screws	Zinc plated steel	303 stainless steel
Body	Hard anodised aluminium extrusion	Hard anodised aluminium extrusion
End caps	Anodised aluminium	Anodised aluminium
Male or female transmission shaft	XC40 steel	304 stainless steel (female)
Cushion sleeve	Brass	Brass
Clearance adjusting block (Ø 32 to 80mm)	Acetal	Acetal
Adjusting screw blanking plate		Aluminium + silicone seal

Condition of use

	Ø 32 to 80mm	Ø 100 and 125mm
Temperature range	-10°C to +60°C (14°F to 140°F)	
Pressure range (bar)	0.5 to 10 7 to 145 psi)	0.3 to 10 (4 to 145 psi)
Air condition	Filtered air 40µ, lubricated or non lubricated, dry or non dry	

Theoretical torque

Ø Bore 10 bar	Pinion mm	Module	ØPm	Torque (N.m)			
				2 bar	4 bar	6 bar	8 bar
32	1.5	20	2.4	4.8	7.2	9.6	12
40	2	40	5.0	10.0	15.0	20.0	25
50	2	40	8.0	16.0	24.0	32.0	40
63	3	54	17.0	34.0	51.0	68.0	85
80	3	54	27.0	54.0	81.0	108.0	135
100	5	75	58.0	116.0	174.0	232.0	290
125	5	75	92.0	184.0	276.0	368.0	460

The table above shows the theoretical torque at different pressures. A maximum efficiency of 80% should be assured due to functional losses.

Technical data

Bore (mm)		32	40	50	63	80	100	125
Maximum load (N)	Axial	110	350	350	1050	1050	2500	2500
	Radial	35	220	220	900	900	2000	2000
Cushion angle (°)		50	45	45	32	32	30	30
Nominal moment of inertia (kg.m ²)		0.003	0.01	0.02	0.1	0.2	0.3	0.4
Rotative angle (-1°)		96°, 186°, 366°						
Angular tolerance		0°10'	0°10'	0°10'	0°10'	0°10'	1°	1°



Specialist Actuators

Pneumatic Stop Cylinders

Pneumatic stop cylinders with hydraulic industrial shock absorbers for soft, rebound-free stopping of a conveyed load.

Pneumatic Stop Cylinders

- Soft, rebound-free stopping of a conveyed load.
- Flexible: for vertical or horizontal installation
- Types with shock absorber/roller lever combination, lone roller or roller with a piston rod that ensures direct stoppage
- Shock absorbers are easy to replace, even when fitted
- Rotating stop head for adjustment in line with the direction of travel of the conveyed load
- Rocker can be deactivated for alternate travel function
- Single and double acting cylinder variants
- Operating pressure up to 10 bar
- Different shock absorbers for conveyed load weights of up to 1700 kg and speeds of up to 45 m/min
- Optional: position switch for piston rod and proximity switch for rocker

Rocker locking

After the conveyed load is stopped, the rocker is lowered and unlocked by applying compressed air. After the conveyed load has been moved, the return spring brings the rocker into its upper end position so that it is back in its start position for the next stopping procedure.

Integrated shock absorbers

The shock absorbers, aligned to the weight and speed of the load, ensure gentle and precise stopping of the conveyed load

Guide rod

Thanks to the easy-to-replace guide rod, the rocker can be quickly rotated so that the conveyor can move in a different direction.

Diecast Aluminum

The design of the robust, lightweight diecast aluminum and its compact size enables it to be installed in many different conveyor systems.



Unrestricted conveyor movement

The rocker is held in the OFF position (deactivated) by simply clipping a spring steel sheet onto it. The conveyed load can pass through the stop cylinder unobstructed while the rocker is in this position.



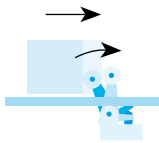
Stop Cylinder – Vertical Version

STVSR series



Integrated shock absorber for heavy conveyed loads

The built-in shock absorber stops the conveyed load in a gentle and precise manner without disturbing the load. Various shock absorbers are available depending on the weight of the conveyed load and the desired transport speed.

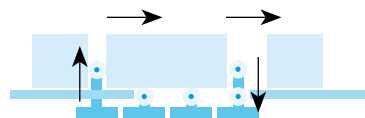


STVDR series



Roller for lower conveyed load weights

The piston rod with upward facing roller is lowered by applying compressed air once the conveyed load is on the ground. Afterwards, it is brought back into the upper end position by a return spring.

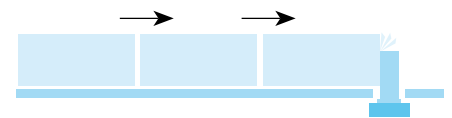


STVD series



Direct stopping piston rod for heavy conveyed loads

Reliably stops heavy conveyed loads at low transport speeds. Can also be used as a locking cylinder due to its solid piston rod.

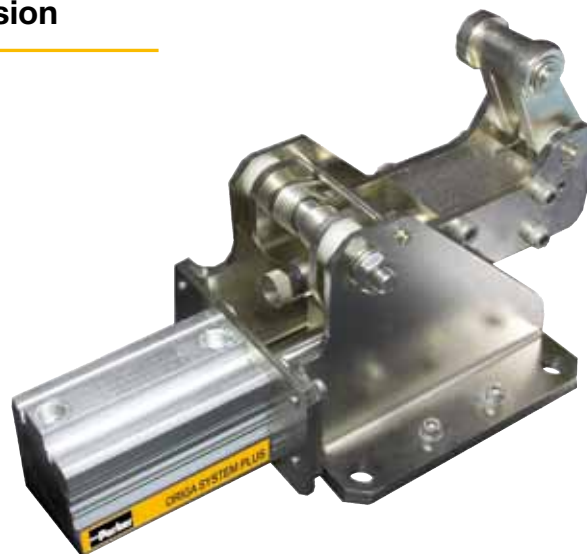


Stop Cylinder – Horizontal Version

STHSR series

Horizontal stop cylinder with shock absorber

Reliably stops heavy conveyed loads at high transport speeds. Well-suited for buffer areas.



Pneumatic Stop Cylinders

Ø 50-80 mm

Available with hydraulic Industrial shock absorbers

Vertical Version:

- STVSR series
- STVDR series
- STVD series

Horizontal Version:

- STHSR series



Vertical versions

Vertical stop cylinder with shock absorber and roller lever



Cylinder Ø mm	Stroke (mm)	Order code
50	30	STVSR-50-30-.-...
80	40	STVSR-80-40-.-...

Vertical stop cylinder with roller



Cylinder Ø mm	Stroke (mm)	Order code
50	30	STVDR-50-30-.-...

Vertical stop cylinder with direct stopping piston rod



Cylinder Ø mm	Stroke (mm)	Order code
50	30	STVD-50-30-.-...

Horizontal versions

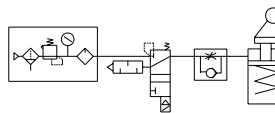
Horizontal stop cylinder with shock absorber and roller lever



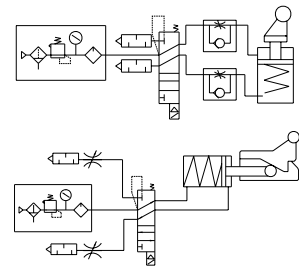
Cylinder Ø mm	Stroke (mm)	Order code
50	50	STHSR-50-50-.-...

Pneumatic Circuit Diagrams

Single acting



Double acting



Specifications

Specifications	Description
Medium	Filtered, unlubricated compressed air (if oil is used then it must be continued)
Operating pressure range	2 to 10 bar
Test pressure	15 bar
Ambient temperature range	0 °C to +65 °C (If intended for use below 0 °C consult Technical Sales)
Lubrication	Unlubricated
Cushioning	Cushioning mat made from oil-resistant rubber

Weight

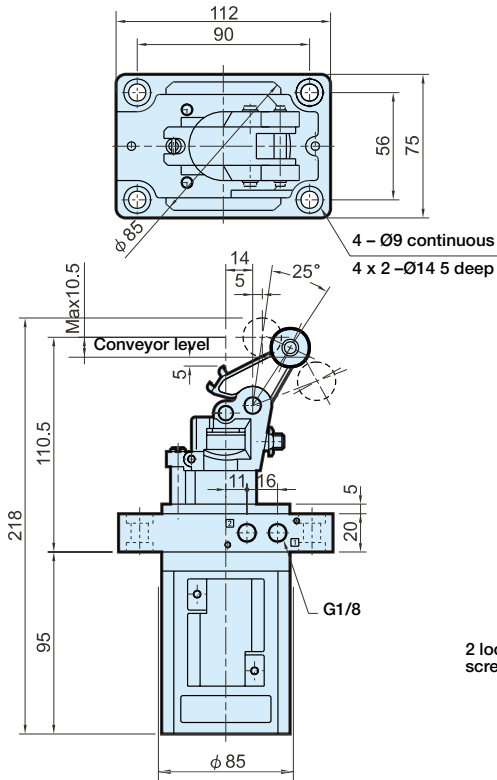
Type STVSR-50-30	1.800 kg
Type STVSR-80-40	6.820 kg
Type STVDR-50-30	1.800 kg
Type STVD-50-30	1.800 kg
Type STHSR-50-50	8.750 kg

STVSR Series - Stop cylinder Ø 50mm - Vertical version

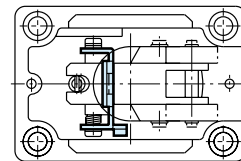
Order Key

STVSR	-	50	-	30	-	L	-	STD
-------	---	----	---	----	---	---	---	-----

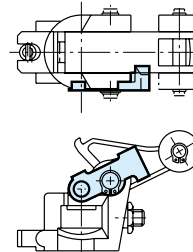
Shock absorber strength	Connecting thread
L Light 50 - 150 kg	STD Standard G1/8
H High 150 - 300 kg	NPT National Pipe Thread 1/8"



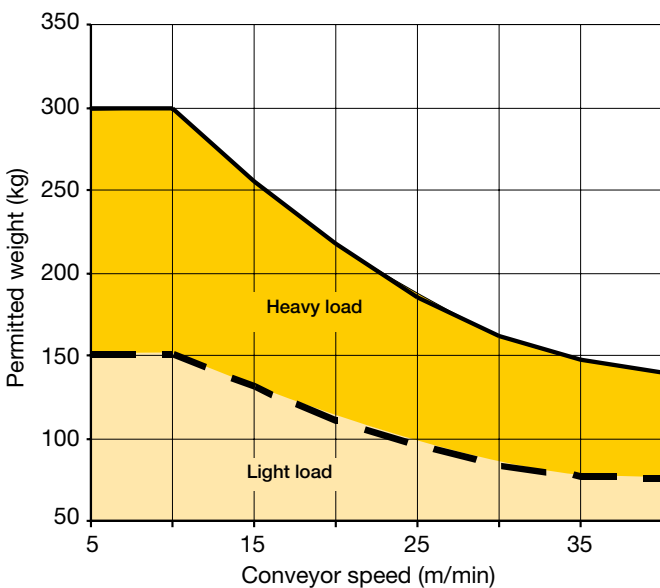
Option - Rocker locking



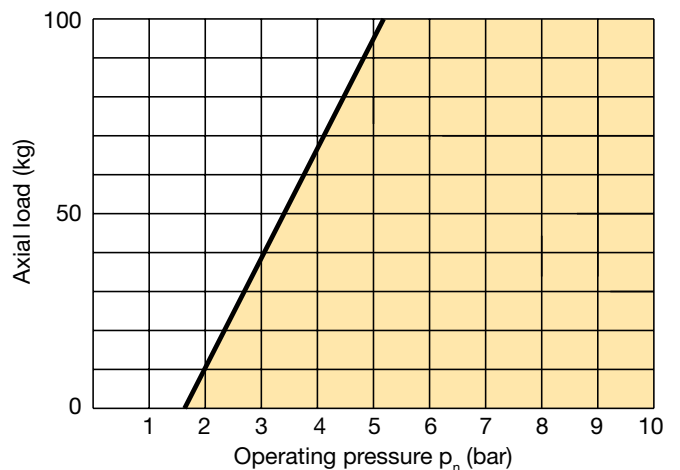
- Free travel of conveyed load



Loads - Moving mass subject to speed – Type STVSR-50-30



Axial load subject to operating pressure – Type STVSR-50-30



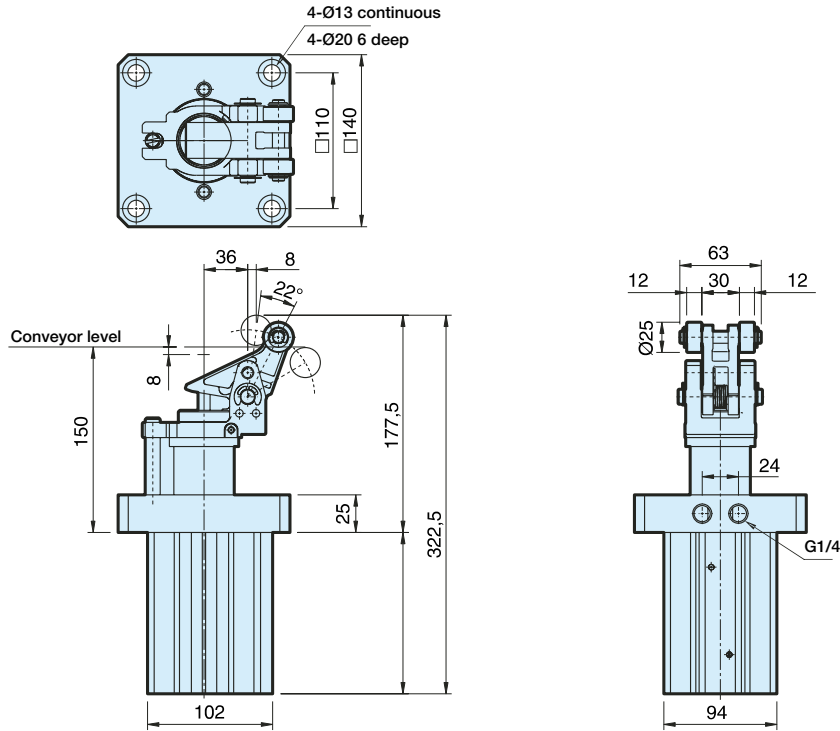
STVSR Series - Stop cylinder Ø 80mm - Vertical version

Order Key

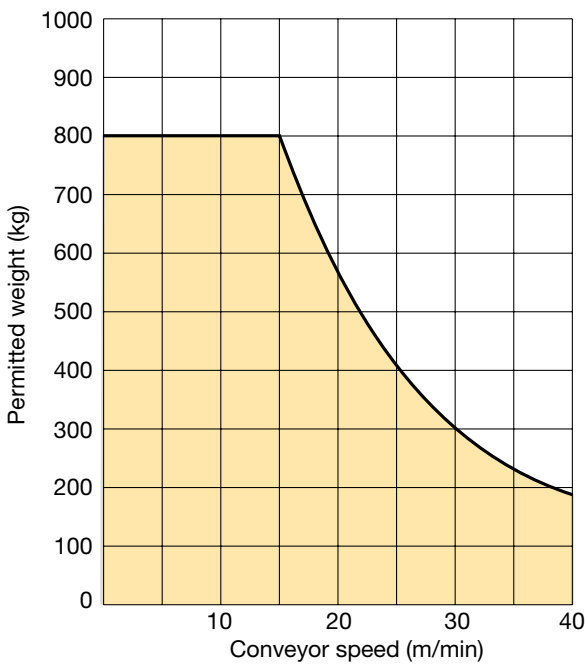
STVSR - 80 - 40 - STD

Note: Shock absorbers can set at 50 - 800kg

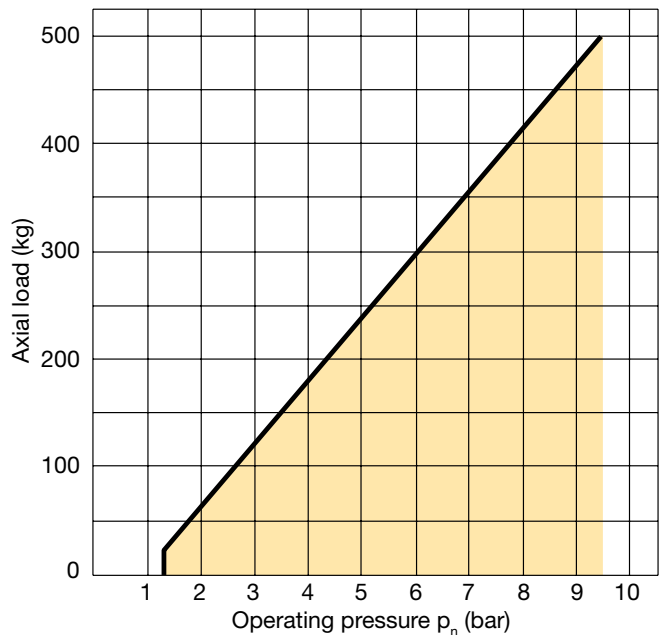
Connecting thread	
STD	Standard G1/4
NPT	National Pipe Thread 1/4"



Loads - Moving mass subject to speed – Type STVSR-80-40



Axial load subject to operating pressure – Type STVSR-80-40

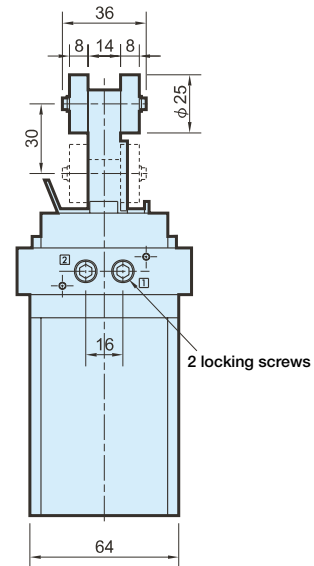
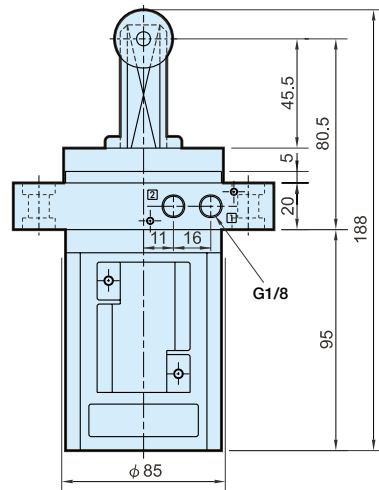
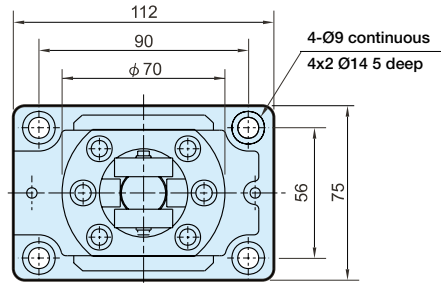


STVDR Series - Stop cylinder Ø 50mm - Vertical version

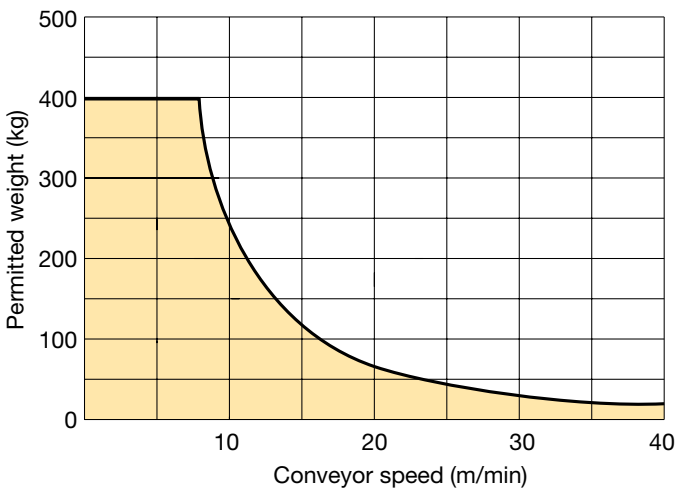
Order Key

STVDR	-	50	-	30	-	STD
-------	---	----	---	----	---	-----

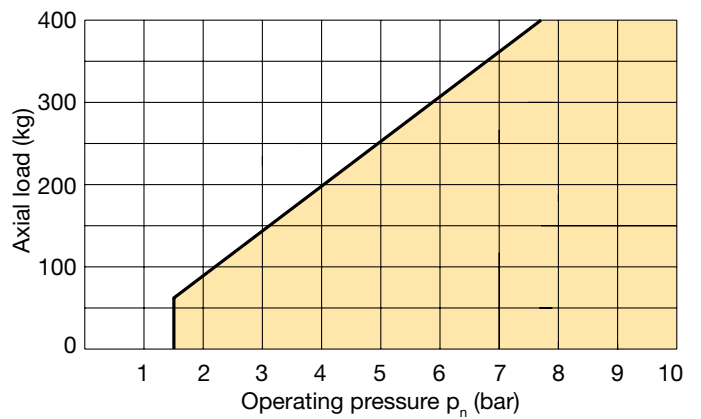
	Connecting thread
STD	Standard G1/8
NPT	National Pipe Thread 1/8"



Loads - Moving mass subject to speed – Type STVDR-50-30



Axial load subject to operating pressure – Type STVDR-50-30

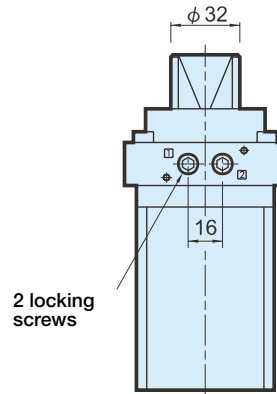
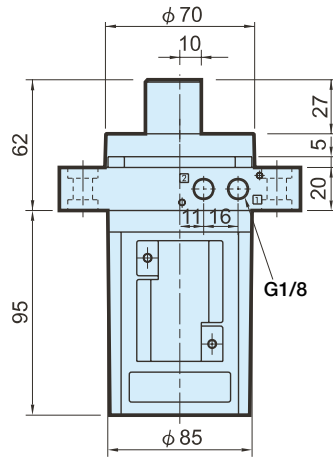
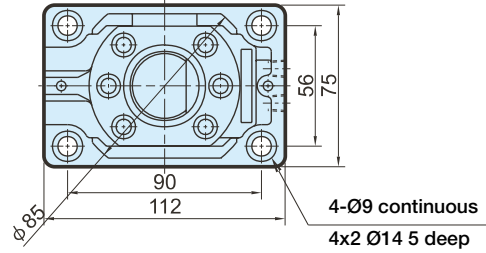


STVSR Series - Stop cylinder Ø 80mm - Vertical version

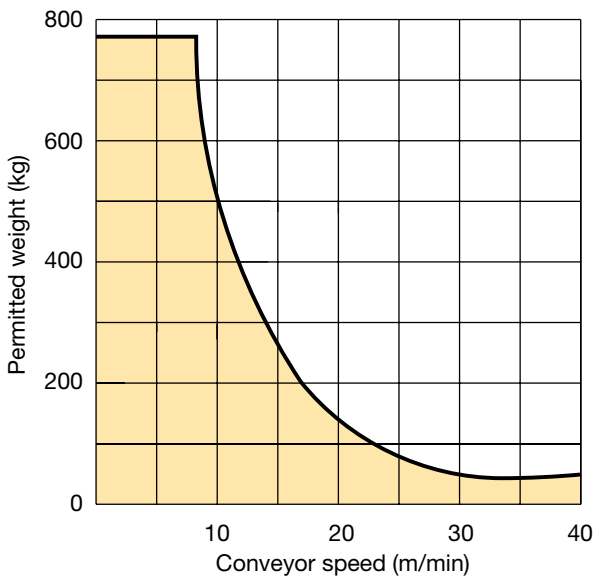
Order Key

STVD - 50 - 30 - STD

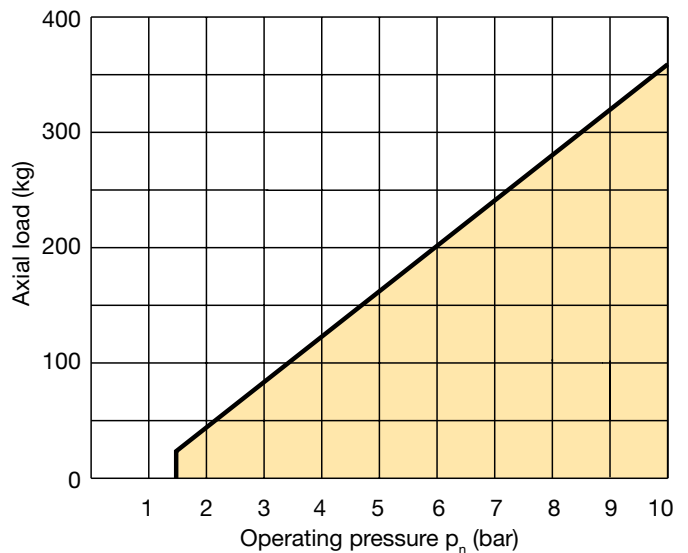
Connecting thread	
STD	Standard G1/8
NPT	National Pipe Thread 1/8"



Loads - Moving mass subject to speed – Type STVD-50-30



Axial load subject to operating pressure – Type STVD-50-30

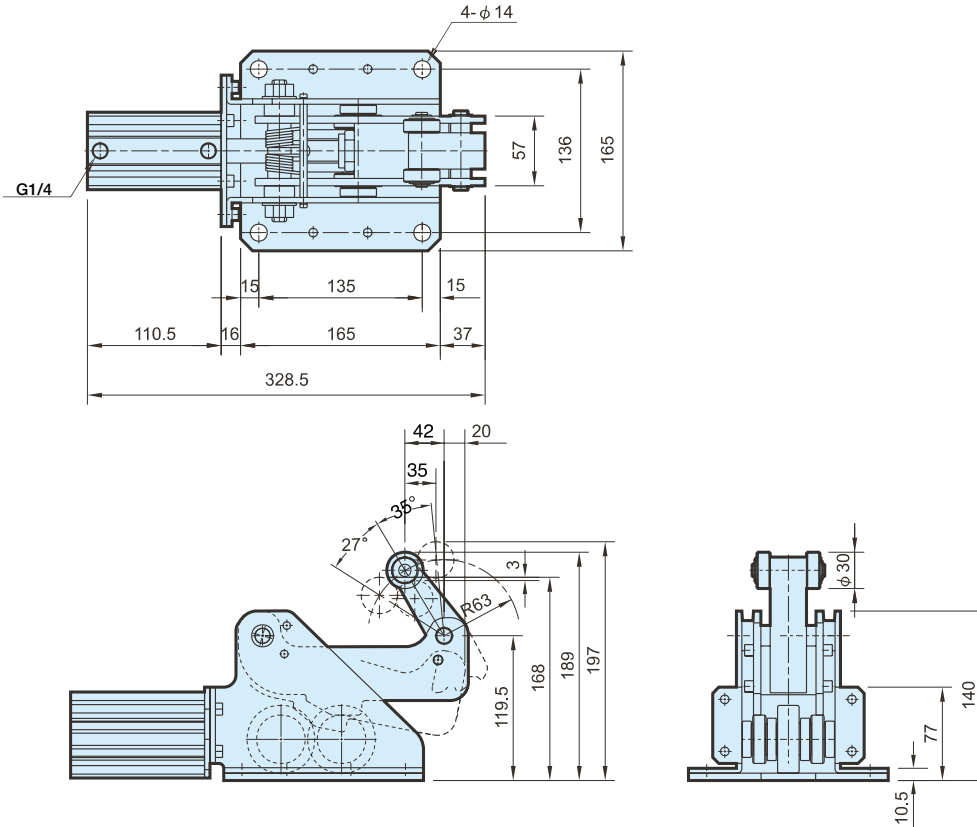


STHSR Series - Stop cylinder Ø 50mm - Horizontal version

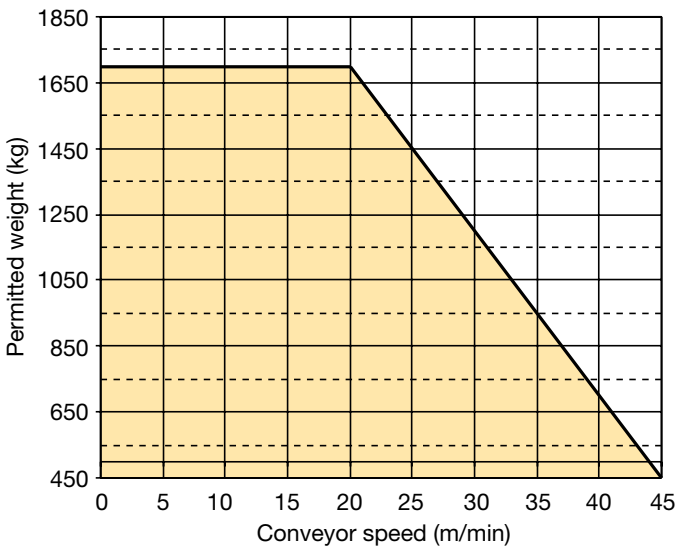
Order Key

STHSR - 50 - 50 - STD

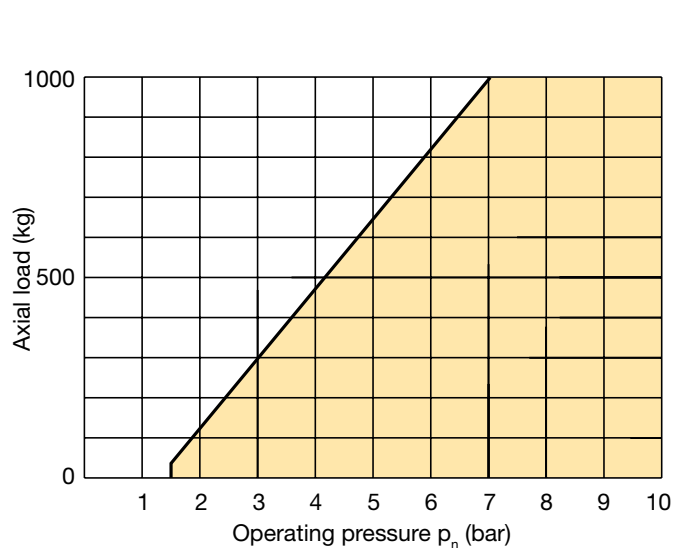
Connecting thread	
STD	Standard G1/4
NPT	National Pipe Thread 1/4"



Loads - Moving mass subject to speed – Type STHSR-50-50



Axial load subject to operating pressure – Type STHSR-50-50



The thrust cylinders are linear actuators, designed for a high force to size ratio. This makes the cylinder ideal to use for clamping, riveting, punching and similar applications where a high force is required.

- Thrust cylinders provide large forces
- Compact dimensions
- C0D, diaphragm type
- C0P, piston type
- Available in single and double acting versions



Operating information

Working pressure: Max 8 bar
Working temperature: -20°C to +70°C

Stainless steel piston rod
Piston rod according to ISO 4395



Compressed air cylinders, types C0D and C0P should not be used in vertical applications without external stop.

For more information see www.parker.com/euro_pneumatic

C0D - Double acting

Force at 6 bar, N	Port size	Stroke mm	Order code
3000	G1/4	40	C0D300-40
6000	G1/4	50	C0D600-50
12000	G1/2	50	C0D1200-50
25000	G1/2	60	C0P2500-60
25000	G1/2	80	C0P2500-80

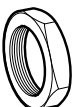
C0P - Single acting

Force at 6 bar, N	Spring N force		Port size	Stroke mm	Order code
	Max N	Min N			
1600	314	128	G1/4	50	C0P160-50S
1600	314	128	G1/4	80	C0P160-80S
3000	314	128	G1/4	50	C0P300-50S
3000	314	128	G1/4	80	C0P300-80S
3000	294	98	G1/4	40	C0D300-40S
6000	638	98	G1/4	50	C0D600-50S
12000	981	235	G1/2	50	C0D1200-50S
25000	2700	883	G1/2	60	C0P2500-60S
25000	2700	883	G1/2	100	C0P2500-100S


The spring forces in single acting cylinders are sufficient to return the piston rod without load

Accessories

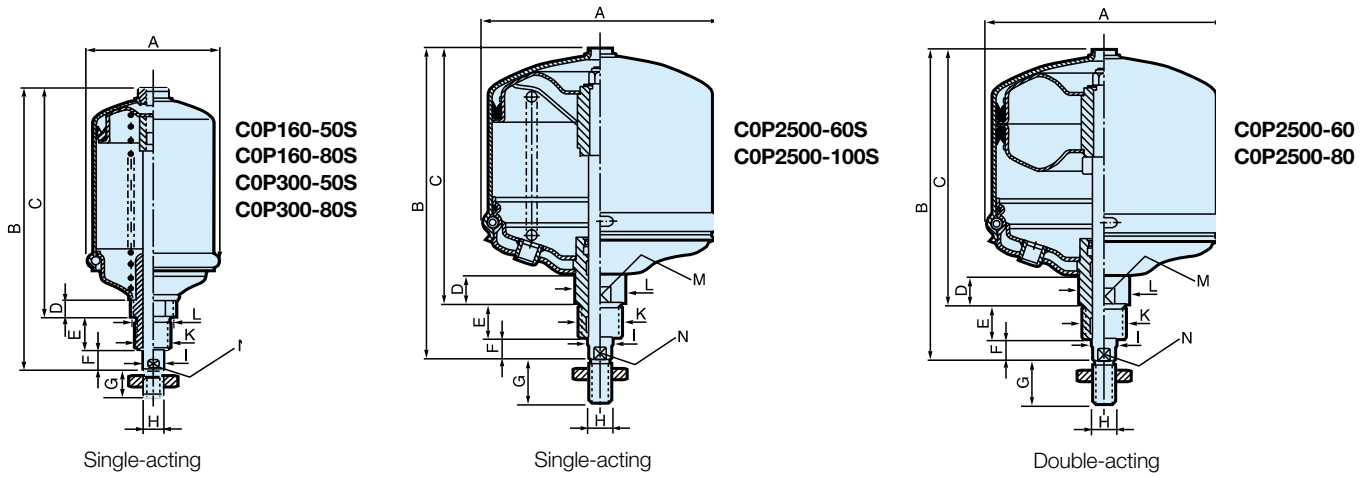
Neck mounting nut

Lock nut thread	For cylinder	Order code
 M24x2	C0D300	9141100000
M36x3	C0D600/1200	9141100100
M48x3	C0P2500	9141100200
M24x3	C0P160/300	9141100300

Piston rod nut (one nut is included)

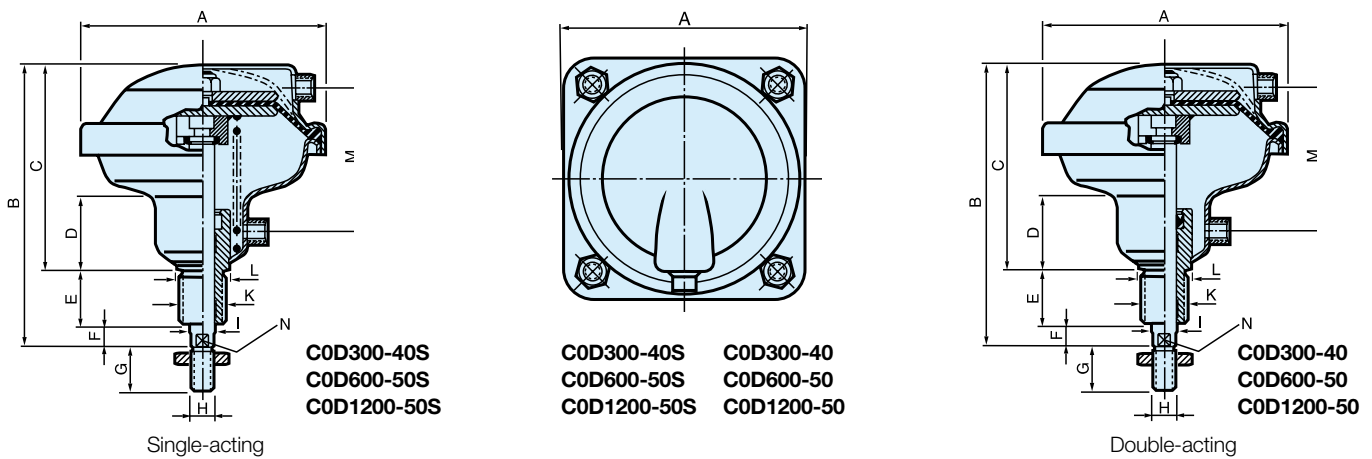
Piston rod nut thread	For cylinder	Order code
 M12	C0P160/300 and C0D300	0266211200
M16	C0D600	0266211400
M20	C0D1200	0266211600
M24	C0P2500	0266211800

Dimensions (mm), piston type



Type	Connection thread	A	B	C	D	E	F	G	H	I Ø	K	L Ø	M	N
C0P160-50S	G1/4	66	192	151	18	30	11	24	M12x1,75	14	M24x3	30	30	12
C0P160-80S	G1/4	66	222	181	18	30	11	24	M12x1,75	14	M24x3	30	30	12
C0P300-50S	G1/4	93	192	151	18	30	11	24	M12x1,75	14	M24x3	30	30	12
C0P300-80S	G1/4	93	222	181	18	30	11	24	M12x1,75	14	M24x3	30	30	12
C0P2500-60S	G1/2	268	345	285	33	40	20	48	M24x3	28	M48x3	56	50	25
C0P2500-100S	G1/2	268	385	325	33	40	20	48	M24x3	28	M48x3	56	50	25
C0P2500-60	G1/2	268	345	285	33	40	20	48	M24x3	28	M48x3	56	50	25
C0P2500-80	G1/2	268	385	325	33	40	20	48	M24x3	28	M48x3	56	50	25

Dimensions (mm), diaphragm type



Type	Connection thread	A	B	C	D	E	F	G	H	I Ø	K	L Ø	M	N
C0D300-40S	G1/4	150	183	131	48	38	14	24	M12x1,75	16	M24x2	30	90	13
C0D300-40	G1/4	150	183	131	48	38	14	24	M12x1,75	16	M24x2	30	90	13
C0D600-50S	G1/4	195	212	154	55	38	20	32	M16x2	20	M36x3	43	107	17
C0D600-50	G1/4	195	212	154	55	38	20	32	M16x2	20	M36x3	43	107	17
C0D1200-50S	G1/2	261	243	178	58	45	20	40	M20x2,5	25	M36x3	43	117	22
C0D1200-50	G1/2	261	243	178	58	45	20	40	M20x2,5	25	M36x3	43	117	22

Press stand for thrust cylinders

A simple press for efficient mounting and pressing can easily be built by screwing the thrust cylinders into the threaded holes in the very stable and strong steel press stand. The stand is available in two versions with different fastening threads for the cylinders.

The top plate has two different threads, and can be rotated through 180 degrees to present the correct thread for nose fitting of the cylinders.

The sub-base is fitted with a T-track for easy mounting of accessories. It also has two through holes for simple and secure fitting to a work bench.

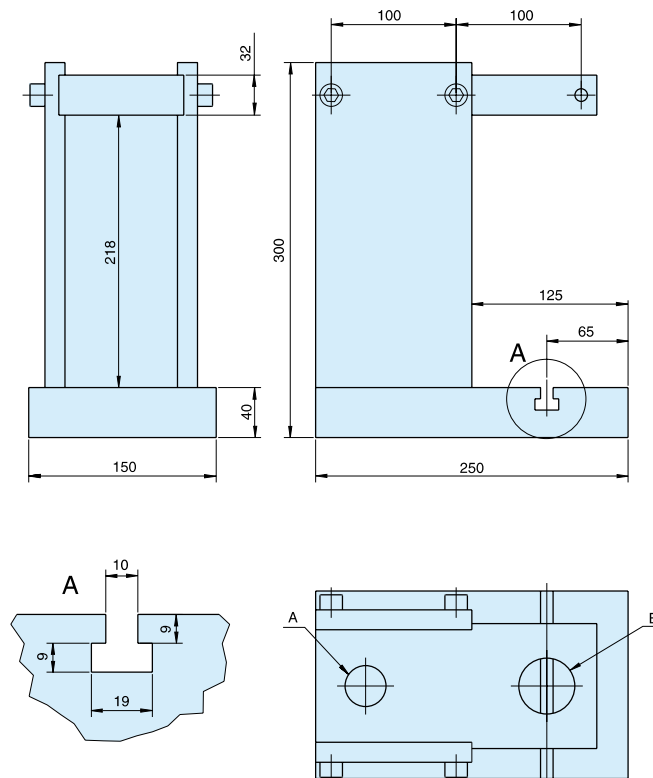


NOTE! Remember that an approved two-handed press control must be used with the cylinders and the press stand to prevent crush injuries. We recommend the use of our type PXP two-handed press control. It is available in a number of versions, and is simple, ergonomic and safe to incorporate in the press stand. It meets the requirements of safety standards EN574 and EN954-1.

For more information, see our website:
www.parker.com/euro_pneumatic

Description	Threads A/B	Weight kg	Order No.
Press stand for C0P160 / C0P300 / C0D300	M24x2/M24x3	24	C0P-C0D-P01
Press stand for C0D600 / C0D1200 / C0P2500	M36x3/M48x3	24	C0P-C0D-P02

Dimensions



Clamp cylinders are single acting pneumatic cylinders with built-in oleo-pneumatic intensifiers. They can be used to solve most clamping, tightening etc problems.

- Single acting cylinders with built-in hydro-pneumatic intensifier
- Compact size with large clamping forces up to 2700 daN (depending on air pressure)
- Operated using a compressed air supply, no special installation required
- Easy adjustment through a fully threaded body
- Simple and rapid installation



Operating information

Working pressure:	Max 9bar
except VBH603 and VBH606 :	Max 7bar
Permissible fluid:	Filtered (40µ) with or without lubrication
Standard working temperature:	+5°C to +50°C

Hydraulic clamps

Order code	Max.stroke (mm)	Ø external (mm)	Force at 6bar (daN)
VB363C	3	36	240
VB366C	6	36	240
VB369C	9	36	240
VB483C	3	48	530
VB486C	6	48	530
VB489C	9	48	530
VB4812C	12	48	530
VBH483C	3	48	1060
VB606C	6	60	1140
VB609C	9	60	1140
VB6012C	12	60	1140
VBH603C	3	60	1800
VBH606C	6	60	1800

Maintenance

Seal kit for	VB Ø36	VB Ø48	VBH Ø48	VB Ø60	VBH Ø60
Order code	JJVB36	JJVB48	JJVBH48	JJVB60	JJVBH60

Oil container for all types of hydraulic clamp cylinders (250ml capacity) : Order code BH680VB

Hydraulic clamp mountings

Mounting for VB	Mounting block	Rounded end	V groove end
Ø36	FVA36-1	BVA36-16	BVA36-17
Ø48	FVA48-1	BVA48-16	BVA48-17
Ø60	FVA60-1	BVA60-16	BVA60-17



Mounting block

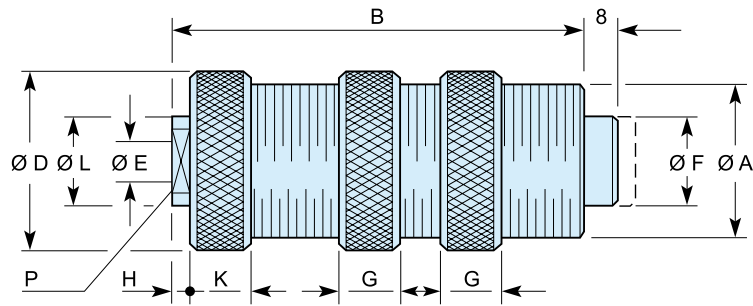


Rounded clamp piston end



V groove clamp piston end

Dimensions (mm)



Model No	ØA	B	ØD	ØE	ØF	G	H	K	ØL	P
VB363C	M36 x 1,5	98,0	42	G1/8	22	12	4	13	22	17
VB366C	M36 x 1,5	127,5	42	G1/8	22	12	4	13	22	17
VB369C	M36 x 1,5	185,0	42	G1/8	22	12	4	13	22	17
VB483C	M48 x 1,5	111,0	56	G1/8	32	12	4	13	22	17
VBH483C	M48 x 1,5	148,0	56	G1/8	32	12	4	13	22	17
VB486C	M48 x 1,5	148,0	56	G1/8	32	12	4	13	22	17
VB489C	M48 x 1,5	188,0	56	G1/8	32	12	4	13	22	17
VB4812C	M48 x 1,5	234,0	56	G1/8	32	12	4	13	22	17
VBH603C	M60 x 2	175,0	70	G1/4	40	14	5	17	25	22
VB606C	M60 x 2	175,0	70	G1/4	40	14	5	17	25	22
VBH606C	M60 x 2	290,0	70	G1/4	40	14	5	17	25	22
VB609C	M60 x 2	249,0	70	G1/4	40	14	5	17	25	22
VB6012C	M60 x 2	314,0	70	G1/4	40	14	5	17	25	22



Hydrochecks

Self contained hydraulic checking units



Hydrochecks are precision built self contained hydraulic control units designed to smooth out pneumatic cylinder movements over any distance within their own stroke length, up to 450 mm.

Basic single acting models provide adjustable speed control over the full outward or inward stroke and fast return, with the facility for rapid approach to the controlled stroke by adjustment of the piston rod engaging nut.

By the incorporation of 'skip' or 'stop' valves virtually any combination of fast - slow, start - stop motions can be obtained. Similar functions can also be provided on the inward and outward strokes of double acting models.

- Range of imperial sizes
- Gives smooth control feeds
- Strokes up to 450 mm.



Air bellows are the ideal choice for applications requiring short stroke, high thrust single acting actuators.

Manufactured from fabric reinforced synthetic rubber in one, two or three convolutions according to stroke and model. They incorporate no reciprocating metal parts and so provide virtually frictionless thrust compared with conventional pneumatic cylinders.



- 10 sizes, diameters 70-660 mm
- Strokes from 45 to 375 mm
- Single, double or triple convolutions
- High thrust and frictionless movement
- Maintenance free

Operating information

Working pressure:	Max 8 bar
Working temperature:	-30°C to +70°C
High temperature version	
Working temperature:	-30°C to +115°C
Operation:	Dry air



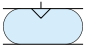
It is recommended that external mechanical stops are used to limit the stroke. The units should not achieve maximum stroke or be allowed to 'bottom out'.

Air Bellows may not be stacked, use singly only.

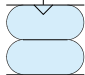
Air bellows are suitable for vibration applications i.e. device feeders at high frequency.

For more information see www.parker.com/euro_pneumatic

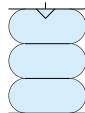
Single convolution

Symbol	Ø mm (inches)	Port size	Max force (N) at 1 bar (0 stroke)	Max stroke mm	Order code
	110 (4½ x 1)	G3/8	1150	45	9109400
	150 (6 x 1)	G1/2	1900	55	9109004A
	200 (8 x 1)	G1/2	3200	75	9109014
	250 (10 x 1)	G1/2	5000	100	9109024
	300 (12 x 1)	G1/2	6500	100	9109044
	370 (14½ x 1)	G1/2	9600	115	9109064

Double convolution

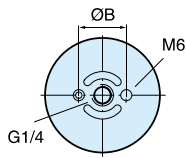
Symbol	Ø mm (inches)	Port size	Max force (N) at 1 bar (0 stroke)	Max stroke mm	Order code
	70 (2¾ x 2)	G1/4	400	50	9109009
	110 (4½ x 2)	G3/8	900	80	9109401
	150 (6 x 2)	G1/2	1800	112	9109001A
	200 (8 x 2)	G1/2	3000	180	9109011
	250 (10 x 2)	G1/2	4800	200	9109021
	300 (12 x 2)	G1/2	6800	195	9109041
	370 (14½ x 2)	G1/2	10000	225	9109061
	410 (16 x 2)	G1/2	11400	250	9109171
	550 (21½ x 2)	G3/4	24000	300	9109150
	660 (26 x 2)	G3/4	30800	310	9109156

Triple convolution

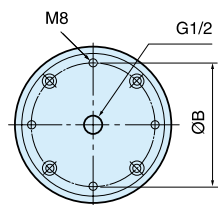
Symbol	Ø mm (inches)	Port size	Max force (N) at 1 bar (0 stroke)	Max stroke mm	Order code
	70 (2¾ x 3)	G1/4	370	65	9109010
	110 (4½ x 3)	G3/8	900	100	9109402
	150 (6 x 3)	G1/2	1800	173	9109007A
	200 (8 x 3)	G1/2	3000	225	9109017
	250 (10 x 3)	G1/2	4800	300	9109031
	300 (12 x 3)	G1/2	6800	330	9109051
	370 (14½ x 3)	G1/2	10200	350	9109069
	410 (16 x 3)	G1/2	10500	375	9109177

Dimensions (mm)

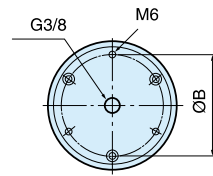
Ø70 mm (2¾")
 Aluminium end plate version



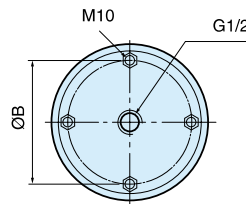
Ø150 mm (6")
 Aluminium end plate version



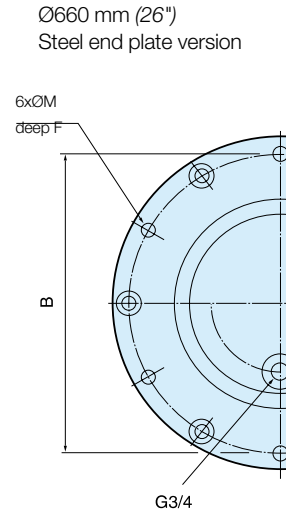
Ø110 mm (4½")
 Aluminium end plate version



Ø200-410 mm (8-16")
 Aluminium end plate version



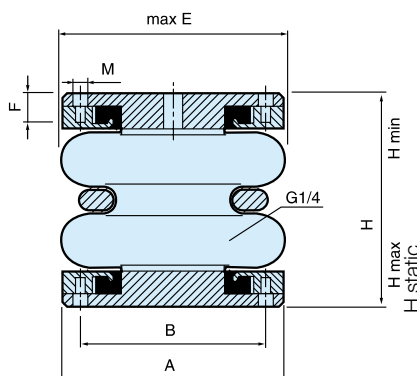
Ø550 mm (21½")
 Steel end plate version



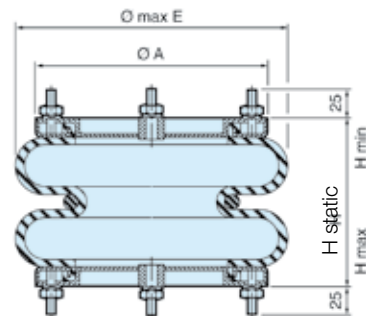
Ø660 mm (26")
 Steel end plate version

Ø	Number of convolutions	H min	H static	H max	Stroke max	ØE max	ØA	ØB	ØM	F
70	2	65	90	115	50	80	78	36	M6	9
70	3	80	110	145	65	80	78	36	M6	9
110	1	45	65	90	45	125	110	93	M6	13
110	2	65	100	145	80	125	110	93	M6	13
110	3	100	145	200	100	125	110	93	M6	13
150	1	50	80	105	55	175	155	127	M8	16
150	2	78	130	190	172	175	155	127	M8	16
150	3	102	190	275	173	175	155	127	M8	16
200	1	50	90	125	75	230	184	155,5	M10	
200	2	70	160	250	180	230	184	155,5	M10	
200	3	100	205	325	225	230	184	155,5	M10	
250	1	50	100	150	100	280	210	181	M10	
250	2	70	170	270	250	280	210	181	M10	
250	3	100	250	400	300	280	210	181	M10	
300	1	50	100	150	100	330	260	232	M10	
300	2	75	170	270	195	330	260	232	M10	
300	3	100	250	430	330	330	260	232	M10	
370	1	50	110	165	115	395	310	282,5	M10	
370	2	70	180	295	225	395	310	282,5	M10	
370	3	100	280	450	350	395	310	282,5	M10	
410	2	75	200	325	250	440	310	282,5	M10	
410	3	125	300	500	375	440	310	282,5	M10	
550	2	90	200	390	300	580	498,5	470	M10	19
660	2	90	200	400	310	700	498,5	470	M10	19

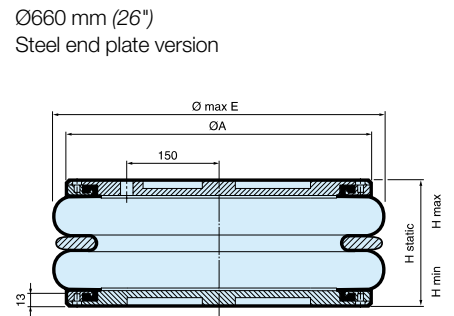
Ø70-150 mm (2¾-6")



Ø200-410 mm (8-16")
 Steel end plate version



Ø550 mm (21½")
 Aluminium end plate version



Ø660 mm (26")
 Steel end plate version

Air bellows are the ideal choice for applications requiring short stroke, high thrust single acting actuators.

Manufactured from fabric reinforced synthetic rubber in one or two convolutions according to stroke and model. They incorporate no reciprocating metal parts and so provide virtually frictionless thrust compared with conventional pneumatic cylinders.



- 13 variants, diameters 150 to 420 mm
- Strokes from 45 to 170 mm
- Single or double convolutions
- High thrust and frictionless movement
- Maintenance free

Operating information

Working pressure:	Max 8 bar
Working temperature:	-40°C to +70°C
Operation:	Dry air



It is recommended that external mechanical stops are used to limit the stroke. The units should not achieve maximum stroke or be allowed to 'bottom out'. Air Bellows may not be stacked, use singly only.

Air bellows are suitable for vibration applications i.e. device feeders at high frequency.

For more information see www.parker.com/euro_pneumatic

Single convolution

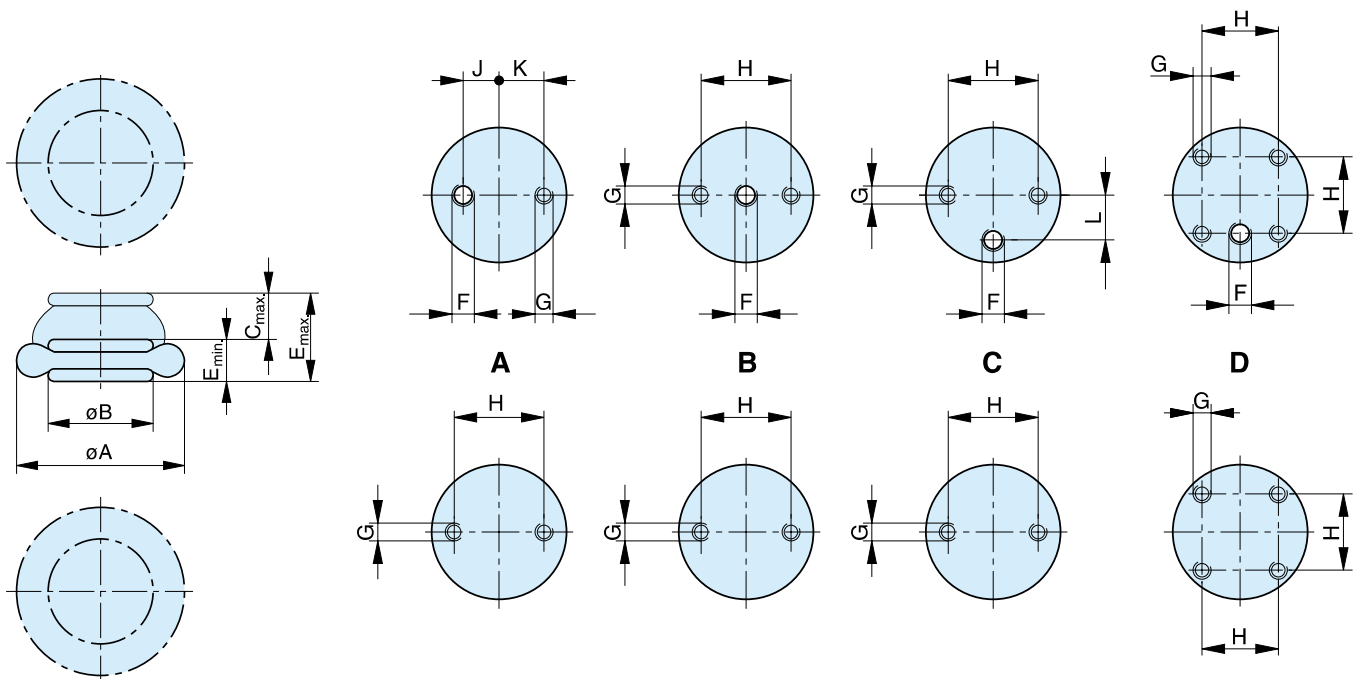
Symbol	Ø mm (inches)	Port size	Max force (N) at 1 bar (0 stroke)	Max stroke mm	Type	Order code
	150	G1/4	1250	55	SP-1B04	KY9500
	165	G1/4	1350	45	SP-1B05	KY8401
	205	G1/4	1550	90	SP-1B07	KY9501
	250	G3/4	2800	100	SP-1B12	KY9502
	350	G3/4	5050	110	SP-1B22	KY9590
	420	G3/4	7600	110	SP-1B34	KY8010

Double convolution

Symbol	Ø mm (inches)	Port size	Max force (N) at 1 bar (0 stroke)	Max stroke mm	Type	Order code
	165	G1/4	1250	110	SP-2B04	KY9612
	165	G1/4	1350	80	SP-2B05	KY8011
	170	G1/4	1750	105	SP-2B05A	KY8012
	215	G1/4	2200	125	SP-2B07	KY9589
	250	G3/4	3700	150	SP-2B12	KY9611
	320	G3/4	5000	170	SP-2B22	KY9591
	390	G3/4	8000	170	SP-2B34	KY8007

**Dimensions
 Series SP-1B..**

Dimensions of Mounting Plates – Series SP-1B..



Dimension Table (mm) and Order Instructions

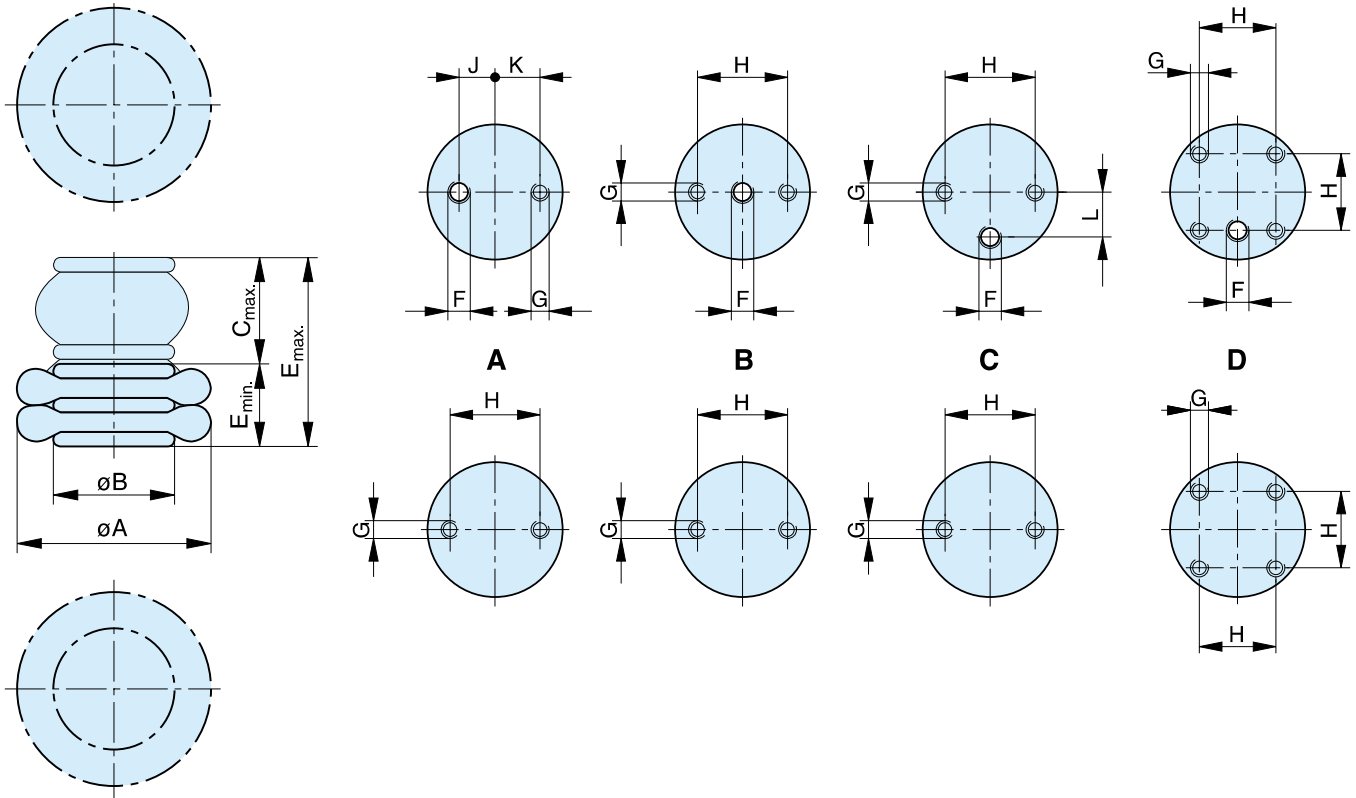
Type	Order-No.	Mounting plate	ØA at 8 bar	ØB	C _{max} **	E _{max} **	E _{min}	F	G*	H	J	K	L
SP-1B04	KY 9500	A	150	88	55	105	50	G1/4	M8	22	9	11	-
SP-1B05	KY 8401	B	165	110	45	95	50	G1/4	M8	44.5	-	-	-
SP-1B07	KY 9501	C	205	135	80	130	50	G1/4	M8	54	-	-	27
SP-1B12	KY 9502	C	250	160	100	150	50	G3/4	M8	89	-	-	38
SP-1B22	KY 9590	C	350	229	110	170	60	G3/4	M12	157.5	-	-	73
SP-1B34	KY 8010	D	420	288	110	170	60	G3/4	M8	158.8	-	-	-

*15 deep

**These dimensions depend on the operating pressure: see force diagrams

**Dimensions
 Series SP-2B..**

Dimensions of Mounting Plates – Series SP-2B..



Dimension Table (mm) and Order Instructions

Type	Order-No.	Mounting	$\varnothing A$ at 8 bar	$\varnothing B$	C_{max}^{**}	E_{max}^{**}	E_{min}	F	G*	H	J	K	L
SP-2B04	KY 9612	A	165	82	110	190	80	G1/4	M8	22	9	11	-
SP-2B05	KY 8011	B	165	110	80	160	80	G1/4	M8	44.5	-	-	-
SP-2B05A	KY 8012	B	170	110	105	185	80	G1/4	M8	44.5	-	-	-
SP-2B07	KY 9589	C	215	135	125	220	95	G1/4	M8	54	-	-	27
SP-2B12	KY 9611	C	250	160	150	240	90	G3/4	M8	89	-	-	38
SP-2B22	KY 9591	C	320	229	170	260	90	G3/4	M12	157.5	-	-	73
SP-2B34	KY 8007	D	390	288	170	260	90	G3/4	M8	158.8	-	-	-

*15 deep

**These dimensions depend on the operating pressure: see force diagrams



ORIGA SYSTEM PLUS OSPE ...

Electric Linear Actuators



The latest generation of **high capacity** actuators

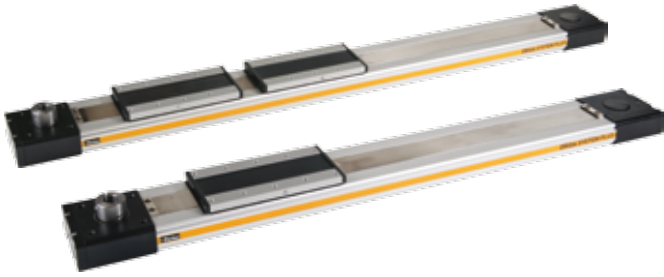
The OSP-E series combines robustness, precision and high performance. The aesthetic design is easily integrated into any machine constructions by virtue of extremely adaptable mountings.

- For particularly high requirements regarding loads and forces
- For high-speed applications and highly dynamic motion profiles
- BHD with toothed belt and integrated heavy duty guide: roller guide or re-circulating ball bearing guide



One complete system - Seven actuator options For all possible applications

Series OSP-E..BHD
Belt Actuator with integrated Guide
- Ball Bearing Guide
- Roller Guide



Series OSP-E..BV
Vertical Belt Actuator with integrated Ball
Bearing Guide



Series OSP-E..B
Belt Actuator with Internal
Guide



Series OSP-E..SB
Ball Screw Actuator with internal
Plain Bearing Guide



Series OSP-E..ST
Trapezoidal Screw Actuator with
Internal Plain Bearing Guide



Series OSP-E..SBR
Ball Screw Actuator with internal Plain
Bearing Guide and Piston Rod



Series OSP-E..STR
Trapezoidal Screw Actuator with Internal
Plain Bearing Guide and Piston
Rod

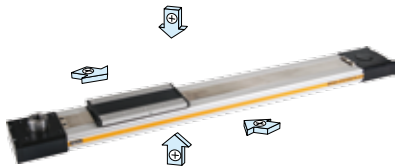


Options and Accessories

OSP-E..BHD Belt actuator with integrated guide

STANDARD VERSIONS OSP-E..BHD

Standard carrier with integrated guide and magnets for contactless position sensing. Dovetail profile for mounting of accessories and the actuator itself.



DRIVE SHAFT WITH CLAMP SHAFT

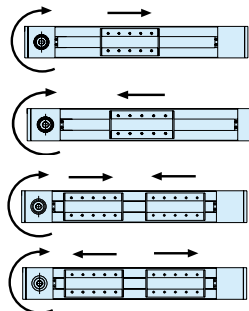


DRIVE SHAFT WITH PLAIN SHAFT



ACTUATING DIRECTION

Important in parallel operations, e.g. with intermediate drive shaft



Standard

Standard -
 Bi-Parting
 Version

OPTIONS

TANDEM
 For higher moment support.



BI-PARTING VERSION
 For perfectly synchronised bi-parting movements.



DRIVE SHAFT WITH CLAMP SHAFT AND PLAIN SHAFT
 For connections with intermediate drive shaft



HOLLOW SHAFT WITH KEYWAY
 For close coupling of motors and external gears.



INTEGRATED PLANETARY GEARBOX
 For compact installation and very low backlash.

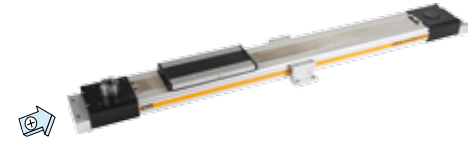


ACCESSORIES

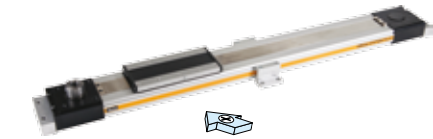
MOTOR MOUNTINGS



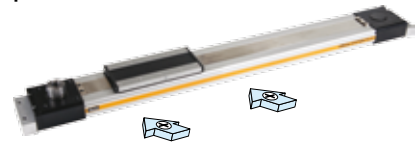
END CAP MOUNTING
 For mounting the actuators on the end cap.



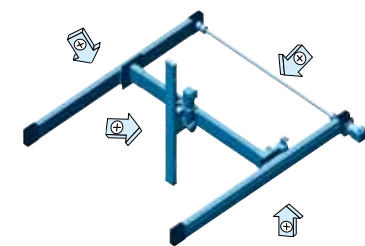
PROFILE MOUNTING
 For supporting long actuators or mounting the actuators on dovetail grooves.



**MAGNETIC SWITCHES
 TYPE RS AND ES**
 For contactless position sensing of end stop and intermediate carrier positions.



MULTI-AXIS SYSTEMS
 For modular assembly of actuators up to multi-axis systems.



Belt actuator with integrated guide for heavy duty applications

The latest generation of high capacity actuators, the OSP-E..BHD series combines robustness, precision and high performance. The aesthetic design is easily integrated into any machine constructions by virtue of extremely adaptable mountings.

Belt Actuator with Integrated Guide - selective with Ball Bearing Guide or Roller Guide

Advantages:

- Accurate path and position control
- High force output
- High speed operation
- High load capacity
- Easy installation
- Low maintenance
- Ideal for multi-axis applications

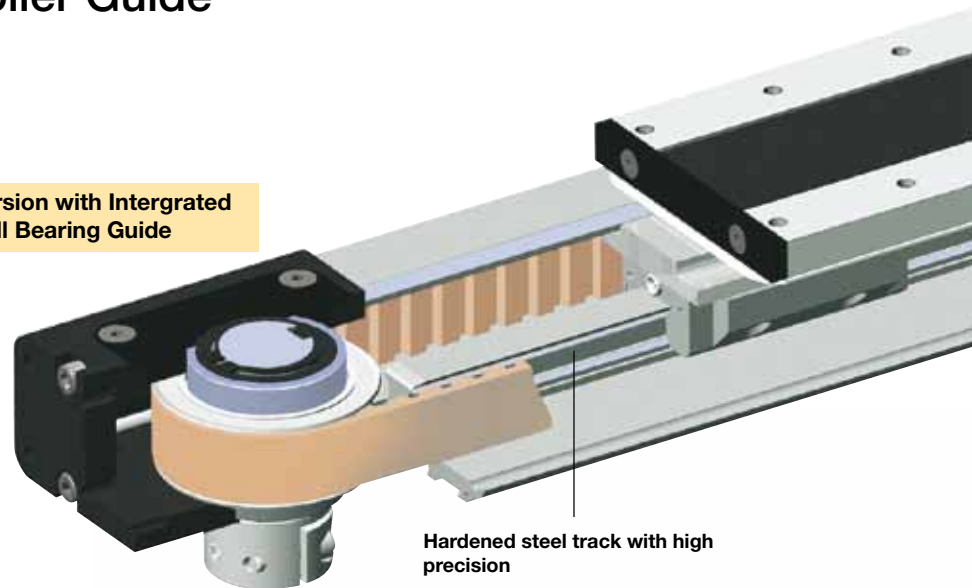
Features:

- Integrated ball bearing guide or integrated roller guide
- Diverse range of multi-axis connection elements
- Diverse range of accessories and mountings
- Complete motor and control packages
- Optional integrated planetary gearbox
- Special options on request

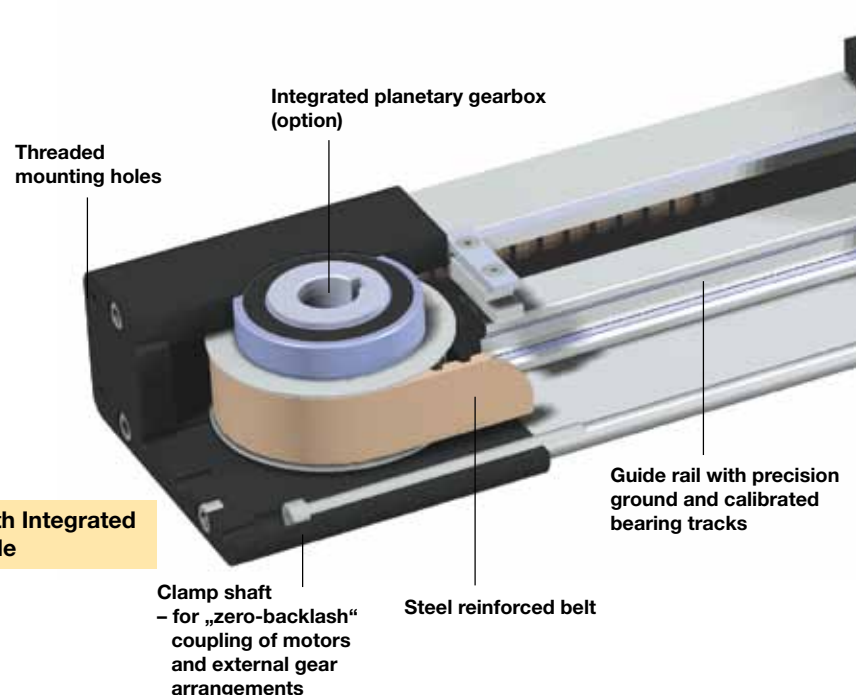
Take the easy route and load all the dimensions into your system. The file is suitable for all current CAD systems – available on CD-Rom or at www.parker-origa.com



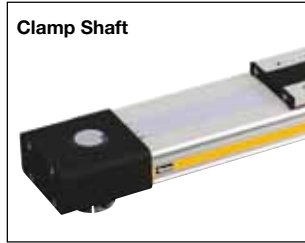
Version with Intergrated Ball Bearing Guide



Version with Integrated Roller Guide



Drive Shaft Versions



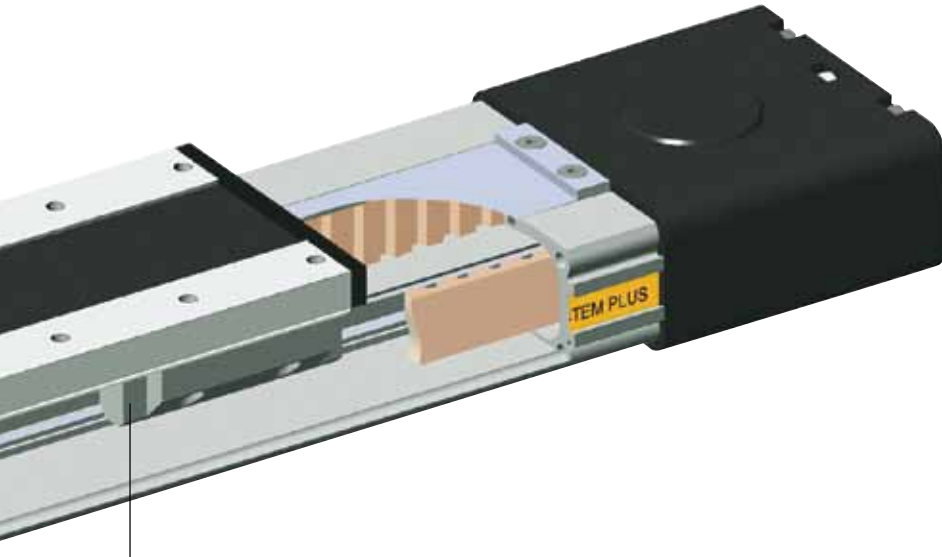
Drive Shaft OPTIONS



OPTION
 Integrated planetary gearbox



- Highly compact and rigid solution fully integrated in the drive cap housing
- Purpose designed for the BHD series
- Available with three standard ratios (3, 5 and 10)
- Very low backlash
- A wide range of available motor flanges



Steel runner block with integrated scraper system and grease nipples

Corrosion resistant steel sealing band

Threaded mounting holes compatible with Proline series

Carriage

Slotted profile with dovetail grooves

Permanent magnet for contactless position sensing

Rollers on needle bearings for smooth operation up to 10 m/s.

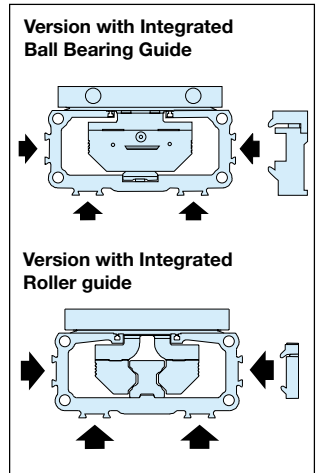
BI-PARTING Version for perfectly synchronised bi-parting movements.



MULTI-AXIS SYSTEMS
 A wide range of adapter plates and intermediate drive shafts simplify engineering and installation



The dovetailed mounting rails of the new linear actuator expand its function into that of a universal system carrier. Modular system components are simply clamped on



Belt Actuator with Integrated Ball Bearing Guide

Size 20 to 50

Type: OSP-E..BHD



Standard Versions:

- Belt Actuator with integrated Ball Bearing Guide
- Drive shaft with clamp shaft or plain shaft
- Choice of motor mounting side
- Dovetail profile for mounting of accessories and the actuator itself

Options:

- Tandem version for higher moments
- Bi-parting version for synchronised movements
- Integrated planetary gearbox
- Drive shaft with
 - clamp shaft and plain shaft
 - hollow shaft with keyway
- Special drive shaft versions on request

Installation Instructions

Use the threaded holes in the end cap for mounting the actuator.

Check if profile mountings are needed using the maximum allowable unsupported length graph.

At least one end cap must be secured to prevent axial sliding when profile mountings are used.

Characteristics	Description
Series	OSP-E..BHD
Mounting	See drawings
Ambient temperature range	-30 °C to +80 °C
Installation	In any position
Encapsulation class	IP 54
Material	
Slotted profile	Extruded anodized aluminium
Belt	Steel-corded polyurethane
Pulley	Aluminium
Guide	Ball bearing guide
Guide rail	Hardened steel rail with high precision, accuracy class N
Guide carrier preloaded 0.02 x C, accuracy class H	Steel carrier with integrated wiper system, grease nipples,
Steel band	Hardened, corrosion resistant steel
Screws, nuts	Zinc plated steel
Mountings	Zinc plated steel and aluminium

Weight (mass) and Inertia

Series	Weight (mass)[kg]			Inertia [x 10 ⁻⁶ kgm ²]		
	At stroke 0 m	Add per metre stroke	Moving mass	At stroke 0 m	Add per metre stroke	per kg mass
OSP-E20BHD	2.8	4	0.8	280	41	413
OSP-E25BHD	4.3	4.5	1.5	1229	227	821
OSP-E32BHD	8.8	7.8	2.6	3945	496	1459
OSP-E50BHD	26	17	7.8	25678	1738	3103
OSP-E20BHD*	4.3	4	1.5	540	41	413
OSP-E25BHD*	6.7	4.5	2.8	2353	227	821
OSP-E32BHD*	13.5	7.8	5.2	7733	496	1459
OSP-E50BHD*	40	17	15	49180	1738	3103

* Version: Tandem and Bi-parting (Option)

Maintenance

Depending on operating conditions, inspection of the actuator is recommended after 12 months or 3000 km operation.

Please refer to the operating instructions supplied with the actuator.

First service start-up

The maximum values specified in the technical data sheet for the different products must not be exceeded. Before taking the actuator as a machine into service, the user must ensure the adherence to the EC Machine Directive 2006/42/EG.

Sizing Performance Overview

Maximum Loadings

Sizing of Actuator

The following steps are recommended for selection :

1. Determination of the lever arm length l_x , l_y and l_z from m_e to the centre axis of the actuator.

2. Calculation of the load F_x or F_y to the carrier caused by m_e
 $F = m_e \cdot g$

3. Calculation of the static and dynamic force F_A which must be transmitted by the belt.

$$F_{A(horizontal)} = F_a + F_0 = m_g \cdot a + M_0 \cdot 2\pi / U_{ZR}$$

$$F_{A(vertical)} = F_g + F_a + F_0 = m_g \cdot g + m_g \cdot a + M_0 \cdot 2\pi / U_{ZR}$$

4. Calculation of all static and dynamic bending moments M_x , M_y and M_z which occur in the application
 $M = F \cdot l$

5. Selection of maximum permissible loads via Table T3.

6. Calculation and checking of the combined load, which must not be higher than 1.

7. Checking of the maximum torque that occurs at the drive shaft in Table T2.

8. Checking of the required action force F_A with the permissible load value from Table T1.

For motor sizing, the effective torque must be determined, taking into account the cycle time.

Legend

l = distance of a mass in the x-, y- and z-direction from the guide [m]

m_e = external moved mass [kg]

m_{LA} = moved mass of actuator [kg]

m_g = total moved mass ($m_e + m_{LA}$) [kg]

$F_{x/y}$ = load exerted on the carrier in dependence of the installation position [N]

F_A = action force [N]

M_0 = no-load torque [Nm]

U_{ZR} = circumference of the pulley (linear movement per revolution) [m]

g = gravity [m/s²]

a_{max} = maximum acceleration [m/s²]

Performance Overview

T1

Characteristics	Unit	Description				
Series		OSP-E20BHD	OSP-E25BHD	OSP-E32BHD	OSP-E50BHD	
Max. speed	[m/s]	3 ¹⁾	5 ¹⁾	5 ¹⁾	5 ¹⁾	
Linear motion per revolution of drive shaft	[mm]	125	180	240	350	
Max. rpm on drive shaft	[min ⁻¹]	2000	1700	1250	860	
Max. effective Action force F_A at speed	< 1 m/s:	[N]	550	1070	1870	3120
	1-3 m/s:	[N]	450	890	1560	2660
	> 3 m/s:	[N]	-	550	1030	1940
No-load torque	[Nm]	0.6	1.2	2.2	3.2	
Max. acceleration/deceleration	[m/s ²]	50	50	50	50	
Repeatability	[mm/m]	±0.05	±0.05	±0.05	±0.05	
Max. standard stroke length	[mm]	5760 ²⁾	5700 ²⁾	5600 ²⁾	5500 ²⁾	

¹⁾ up to 10 m/s on request

²⁾ longer strokes on request

Maximum Permissible Torque on Drive Shaft Speed / Stroke

T2

OSP-E20BHD				OSP-E25BHD				OSP-E32BHD				OSP-E50BHD			
Speed [m/s]	Torque [Nm]	Stroke [m]	Torque [Nm]	Speed [m/s]	Torque [Nm]	Stroke [m]	Torque [Nm]	Speed [m/s]	Torque [Nm]	Stroke [m]	Torque [Nm]	Speed [m/s]	Torque [Nm]	Stroke [m]	Torque [Nm]
1	11	1	11	1	31	1	31	1	71	1	71	1	174	1	174
2	10	2	11	2	28	2	31	2	65	2	71	2	159	2	174
3	9	3	8	3	25	3	31	3	59	3	60	3	153	3	138
4		4	7	4	23	4	25	4	56	4	47	4	143	4	108
5		5	5	5	22	5	21	5	52	5	38	5	135	5	89

Important:

The maximum permissible torque on the drive shaft is the lowest value of the speed or stroke-dependent torque value.

Example above:

OSP-E25BHD, stroke 5 m, required speed 3 m/s from table T2

speed 3 m/s gives 25 Nm and stroke 5 m gives 21 Nm. Max. torque for this application is 21 Nm.

Maximum Permissible Loads

T3

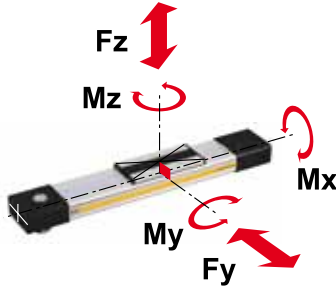
Series	Max. applied load		Max. moments [Nm]		
	Fy[N]	Fz[N]	Mx	My	Mz
OSP-E20BHD	1600	1600	21	150	150
OSP-E25BHD	2000	3000	50	500	500
OSP-E32BHD	5000	10000	120	1000	1400
OSP-E50BHD	12000	15000	180	1800	2500

Loads, Forces and Moments

Combined loads

If the actuator is subjected to several forces, loads and moments at the same time, the maximum load is calculated with the equation shown here.

The maximum permissible loads must not be exceeded.



Equation of Combined Loads

$$\frac{F_y}{F_y(\max)} + \frac{F_z}{F_z(\max)} + \frac{M_x}{M_x(\max)} + \frac{M_y}{M_y(\max)} + \frac{M_z}{M_z(\max)} \leq 1$$

The total of the loads must not exceed >1 under any circumstances.

$$M = F \cdot l \text{ [Nm]}$$

$$M_x = M_{x \text{ static}} + M_{x \text{ dynamic}}$$

$$M_y = M_{y \text{ static}} + M_{y \text{ dynamic}}$$

$$M_z = M_{z \text{ static}} + M_{z \text{ dynamic}}$$

The distance (l_x, l_y, l_z) for calculation of moments relates to the centre axis of the actuator. Bending moments are calculated from the centre of the actuator and F indicates actual force.

Maximum Permissible Unsupported Length

Stroke length

The stroke lengths of the actuators are available in multiples of 1 mm up to 5700 mm.

Other stroke lengths are available on request.

The end of stroke must not be used as a mechanical stop.

Allow an additional safety clearance at both ends equivalent to the linear movement of one revolution of the drive shaft, but at least 100 mm.

The use of an AC motor with frequency converter normally requires a larger clearance than that required for servo systems.

For advice, please contact your local Parker Origa technical support department.

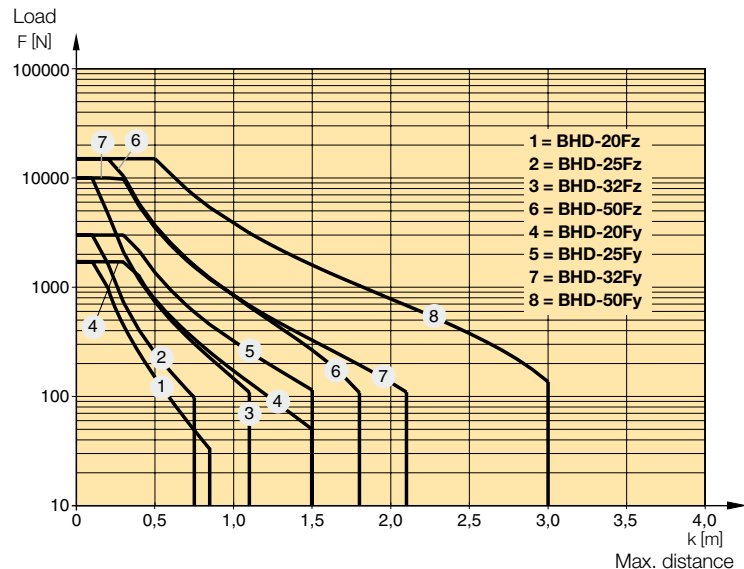
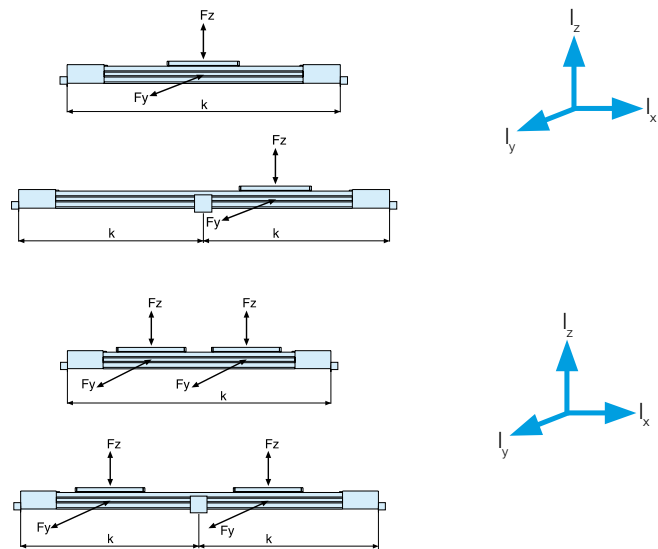
* For Bi-parting version the max. load (F) is the total load of both carriers

$$F = F_{\text{carrier 1}} + F_{\text{carrier 2}}$$

k = Max. permissible distance between mountings/Profile Mounting for a given load F.

When loadings are below or up to the curve in the graph below the deflection will be max. 0.01 % of distance k.

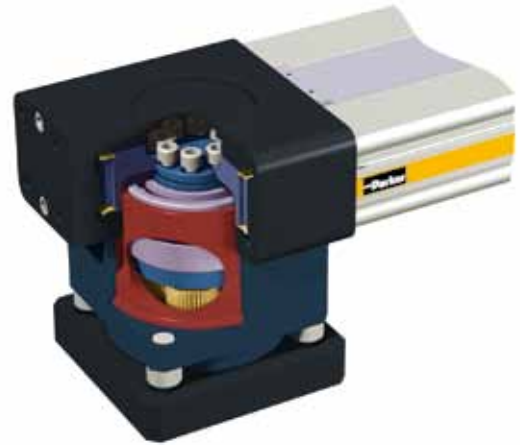
Maximum Permissible Unsupported Length – Placing of Profile Mounting



Integrated Planetary Gearbox
Series OSP-E..BHD -
 with Integrated Planetary Gearbox (Option)

Features:

- Highly compact and rigid solution fully integrated in the drive cap housing
- Purpose designed for the BHD series.
- Available with three standard ratios (3, 5 and 10)
- Very low backlash
- A wide range of available motor flanges



Please contact your local Parker Origa technical support for available motor flanges.

Standard Version:

- Gearbox on opposite side to carrier.

Note:

When ordering, specify model/type of motor and manufacturer for correct motor flange.

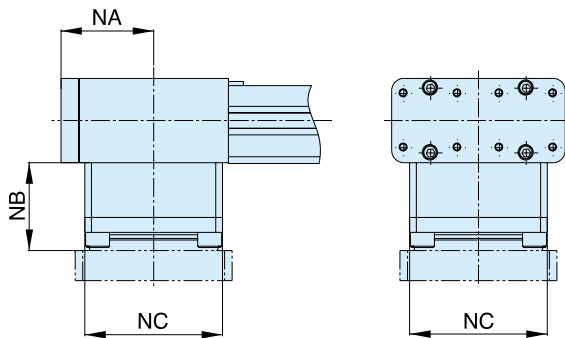
Material:

Aluminium (AL-H) / Steel (St-H)

Performance Overview

Characteristics	Unit	Description		
Series		OSP-E25BHD	OSP-E32BHD	OSP-E50BHD
Ratio (1-stage)	i	3/5/10		
Max. axial load	F_{amax} [N]	1550	1900	4000
Torsional rigidity (i=5)	$C_{t,21}$ [Nm/arcmin]	3.3	9.5	25.0
Torsional rigidity (i=3/10)	$C_{t,21}$ [Nm/arcmin]	2.8	7.5	222.0
Torsional backlash	J_t [arcmin]	<12		
Linear motion per revolution of drive shaft	[mm]	220	280	360
Nominal input speed	n_{nom} [min ⁻¹]	3700	3400	2600
Max. input speed	n_{1max} [min ⁻¹]	6000		
No-load torque at Nominal input speed	T_{012} [Nm]	<0.14	<0.51	<1.50
Lifetime	[h]	20 000		
Efficiency	η [%]	>97		
Noise level ($n_1=3000 \text{ min}^{-1}$)	L_{PA} [db]	<70	<72	<74

Dimensions



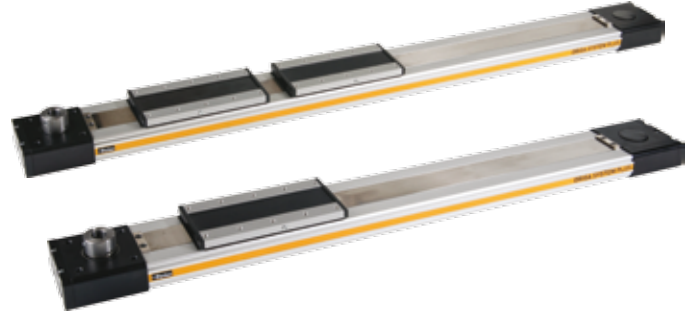
Dimension table (mm) and additional weight

Series	NA	NB	NC	Weight (Mass) [kg]
OSP-E25BHD	49	43	76	2.6
OSP-E32BHD	62	47	92	4.9
OSP-E50BHD	80	50	121	9.6

Belt Actuator with Integrated Roller Guide

Size 25, 32, 50

Type: OSP-E..BHD



Standard Versions:

- Belt Actuator with integrated Roller Guide
- Drive shaft with clamp shaft or plain shaft
- Choice of motor mounting side
- Dovetail profile for mounting of accessories and the actuator itself

Options:

- Tandem version for higher moments
- Bi-parting version for synchronised movements
- Integrated planetary gearbox
- Drive shaft with
 - clamp shaft and plain shaft
 - hollow shaft with keyway
- Special drive shaft versions on request

Installation Instructions

Use the threaded holes in the end cap for mounting the actuator.

Check if profile mountings are needed using the maximum allowable unsupported length graph.

At least one end cap must be secured to prevent axial sliding when profile mountings are used.

Characteristics	Description
Series	OSP-E..BHD
Mounting	See drawings
Ambient temperature range	-30 °C to +80 °C
Installation	In any position
Encapsulation class	IP 54
Material	
Slotted profile	Extruded anodized aluminium
Belt	Steel-corded polyurethane
Pulley	Aluminium
Guide	Roller guide
Guide rail	Aluminium
Track	High alloyed steel
Roller cartridge	Steel rollers in aluminium housing
Steel band	Hardened, corrosion resistant steel
Screws, nuts	Zinc plated steel
Mountings	Zinc plated steel and aluminium

Weight (mass) and Inertia

Series	Weight (mass)[kg]			Inertia [$\times 10^{-6}$ kgm ²]		
	At stroke 0 m	Add per metre stroke	Moving mass	At stroke 0 m	Add per metre stroke	per kg mass
OSP-E25BHD	3.8	4.3	1.0	984	197	821
OSP-E32BHD	7.7	6.7	1.9	3498	438	1459
OSP-E50BHD	22.6	15.2	4.7	19690	1489	3103
OSP-E25BHD*	5.7	4.3	2.0	1805	197	821
OSP-E32BHD*	11.3	6.7	3.8	6358	438	1459
OSP-E50BHD*	31.7	15.2	9.4	34274	1489	3103

* Version: Tandem and Bi-parting (Option)

Maintenance

Depending on operating conditions, inspection of the actuator is recommended after 12 months or 3000 km operation. Please refer to the operating instructions supplied with the actuator.

First service start-up

The maximum values specified in the technical data sheet for the different products must not be exceeded. Before taking the actuator as a machine into service, the user must ensure the adherence to the EC Machine Directive 2006/42/EG.

Sizing Performance Overview

Maximum Loadings

Sizing of Actuator

The following steps are recommended for selection :

1. Determination of the lever arm length l_x , l_y and l_z from m_e to the centre axis of the actuator.

2. Calculation of the load F_x or F_y to the carrier caused by m_e
 $F = m_e \cdot g$

3. Calculation of the static and dynamic force F_A which must be transmitted by the belt.

$$F_{A(horizontal)} = F_a + F_0 = m_g \cdot a + M_0 \cdot 2\pi / U_{ZR}$$

$$F_{A(vertical)} = F_g + F_a + F_0 = m_g \cdot g + m_g \cdot a + M_0 \cdot 2\pi / U_{ZR}$$

4. Calculation of all static and dynamic bending moments M_x , M_y and M_z which occur in the application
 $M = F \cdot l$

5. Selection of maximum permissible loads via Table T3.

6. Calculation and checking of the combined load, which must not be higher than 1.

7. Checking of the maximum torque that occurs at the drive shaft in Table T2.

8. Checking of the required action force F_A with the permissible load value from Table T1.

For motor sizing, the effective torque must be determined, taking into account the cycle time.

Legend

l = distance of a mass in the x-, y- and z-direction from the guide [m]

m_e = external moved mass [kg]

m_{LA} = moved mass of actuator [kg]

m_g = total moved mass ($m_e + m_{LA}$) [kg]

$F_{x/y}$ = load exerted on the carrier in dependence of the installation position [N]

F_A = action force [N]

M_0 = no-load torque [Nm]

U_{ZR} = circumference of the pulley (linear movement per revolution) [m]

g = gravity [m/s²]

a_{max} = maximum acceleration [m/s²]

Performance Overview

T1

Characteristics	Unit	Description			
Series		OSP-E25BHD	OSP-E32BHD	OSP-E50BHD	
Max. speed	[m/s]	10	10	10	
Linear motion per revolution drive shaft	[mm]	180	240	350	
Max. rpm. drive shaft	[min ⁻¹]	3000	2500	1700	
Max. effective action force F_A at speed	< 1 m/s:	[N]	1070	1870	3120
	1-3 m/s:	[N]	890	1560	2660
	> 3-10 m/s:	[N]	550	1030	1940
No-load torque	[Nm]	1.2	2.2	3.2	
Max. acceleration/deceleration	[m/s ²]	40	40	40	
Repeatability	[mm/m]	±0.05	±0.05	±0.05	
Max. standard stroke length	[mm]	7000	7000	7000	

Maximum Permissible Torque on Drive Shaft Speed / Stroke

T2

OSP-E25BHD				OSP-E32BHD				OSP-E50BHD			
Speed [m/s]	Torque [Nm]	Stroke [m]	Torque [Nm]	Speed [m/s]	Torque [Nm]	Stroke [m]	Torque [Nm]	Speed [m/s]	Torque [Nm]	Stroke [m]	Torque [Nm]
1	31	1	31	1	71	1	71	1	174	1	174
2	28	2	31	2	65	2	71	2	159	2	174
3	25	3	31	3	59	3	60	3	153	3	138
4	23	4	25	4	56	4	47	4	143	4	108
5	22	5	21	5	52	5	38	5	135	5	89
6	21	6	17	6	50	6	32	6	132	6	76
7	19	7	15	7	47	7	28	7	126	7	66
8	18			8	46			8	120		
9	17			9	44			9	116		
10	16			10	39			10	108		

Important:

The maximum permissible torque on the drive shaft is the lowest value of the speed or stroke-dependent torque value.

Example above:

OSP-E25BHD, stroke 5 m, required speed 3 m/s from table T2
 speed 3 m/s gives 25 Nm and stroke 5 m gives 21 Nm. Max. torque for this application is 21 Nm.

Maximum Permissible Loads

T3

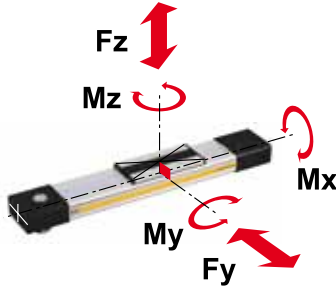
Series	Max. applied load F_y, F_z [N]	Max. moments [Nm]		
		M_x	M_y	M_z
OSP-E25BHD	986	11	64	64
OSP-E32BHD	1348	19	115	115
OSP-E50BHD	3704	87	365	365

Loads, Forces and Moments

Combined loads

If the actuator is subjected to several forces, loads and moments at the same time, the maximum load is calculated with the equation shown here.

The maximum permissible loads must not be exceeded.



Equation of Combined Loads

$$\frac{F_y}{F_y(\max)} + \frac{F_z}{F_z(\max)} + \frac{M_x}{M_x(\max)} + \frac{M_y}{M_y(\max)} + \frac{M_z}{M_z(\max)} \leq 1$$

The total of the loads must not exceed >1 under any circumstances.

$$M = F \cdot l \text{ [Nm]}$$

$$M_x = M_{x \text{ static}} + M_{x \text{ dynamic}}$$

$$M_y = M_{y \text{ static}} + M_{y \text{ dynamic}}$$

$$M_z = M_{z \text{ static}} + M_{z \text{ dynamic}}$$

The distance (l_x, l_y, l_z) for calculation of moments relates to the centre axis of the actuator. Bending moments are calculated from the centre of the actuator and F indicates actual force.

Maximum Permissible Unsupported Length

Stroke length

The stroke lengths of the actuators are available in multiples of 1 mm up to 5700 mm.

Other stroke lengths are available on request.

The end of stroke must not be used as a mechanical stop.

Allow an additional safety clearance at both ends equivalent to the linear movement of one revolution of the drive shaft, but at least 100 mm.

The use of an AC motor with frequency converter normally requires a larger clearance than that required for servo systems.

For advice, please contact your local Parker Origa technical support department.

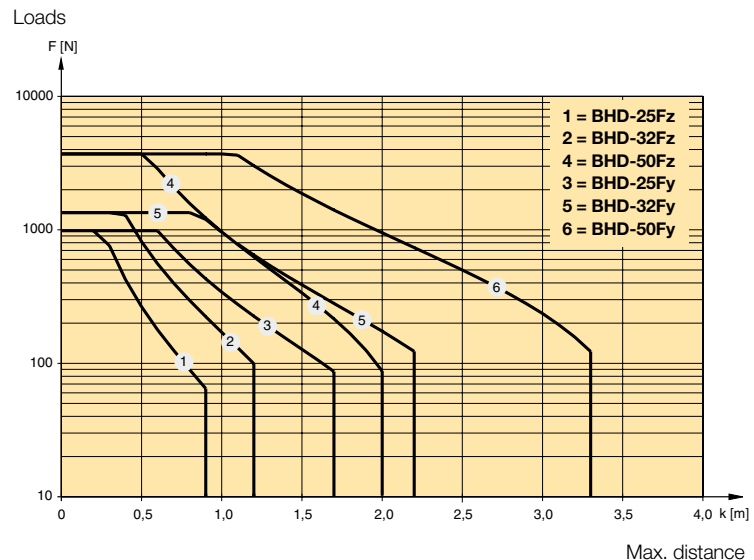
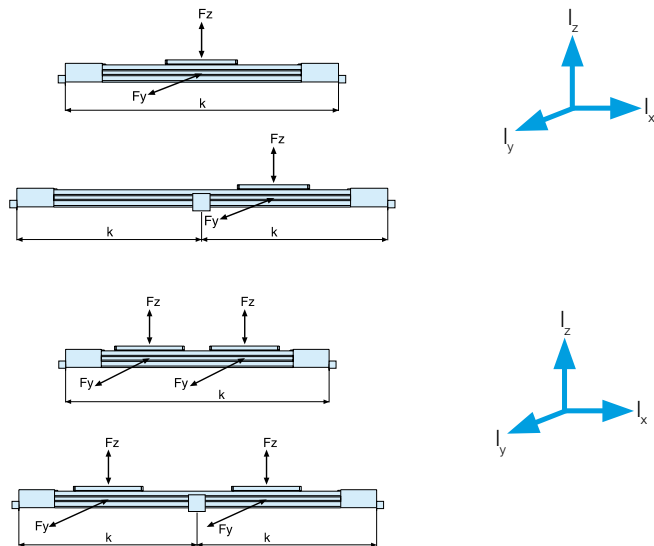
* For the bi-parting version the maximum load (F) complies with the total of the load at both carriers.

$$F = F_{\text{carriage 1}} + F_{\text{carriage 2}}$$

k = Maximum permissible distance between mountings/mid-section support for a given load F.

If the loads are below or up to the curve in the graph the deflection will be max. 0.01 % of distance k.

Maximum Permissible Unsupported Length – Placing of Profile Mounting



Options and Accessories

OSP-E..BV, Vertical belt actuator with integrated ball bearing guide

STANDARD VERSION OSP-E..BV

Standard actuator head with clamp shaft or plain shaft and integrated ball bearing guide with two carriers.
 Choice of side on which gearbox or motor is to be mounted.

DRIVE SHAFT
 "CLAMP SHAFT AND PLAIN SHAFT" OR "DOUBLE PLAIN SHAFT"
 e.g. for parallel operation of two Z-axes with an intermediate drive shaft.

ACCESSORIES

MOTOR MOUNTINGS
 For connection of gearbox or motor direct to drive shaft with clamp shaft, or with a motor coupling to drive shaft with plain shaft.

Drive Shaft with Clamp Shaft

Drive Shaft with Plain Shaft

Drive Shaft with Clamp Shaft and Plain Shaft

Drive Shaft with Double Plain Shaft

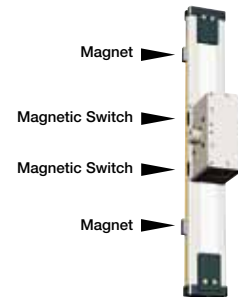


MAGNETIC SWITCHES SET
 Magnetic switches with connector, mounting rail and magnets for contactless sensing of the end positions. Cable (suitable for cable chain) can be ordered separately in 5 m, 10 m or 15 m length.

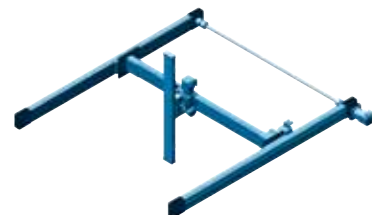
OPTIONS

TANDEM
 Additional actuator head and two additional carriers for higher bending moments.

HOLLOW SHAFT WITH KEYWAY
 For direct connection of gearbox or motor with keyway.



MULTI-AXIS SYSTEMS
 For modular assembly of actuators up to multi-axis systems.



Vertical belt actuator with integrated ball bearing guide in multi-axis systems

The OSP-E..BV vertical belt actuator with integrated ball bearing guide has been specially developed for lifting movements in the Z-axis.

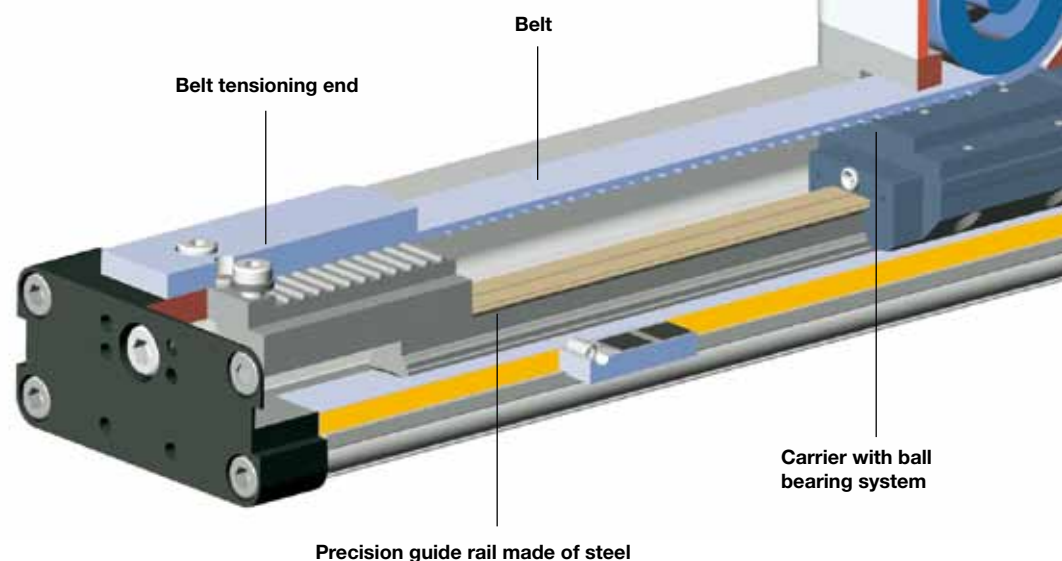
The especially low vibration OSP-E..BV vertical actuator in combination with the heavy duty series OSP-E..BHD meets the highest demands in portal and handling applications.

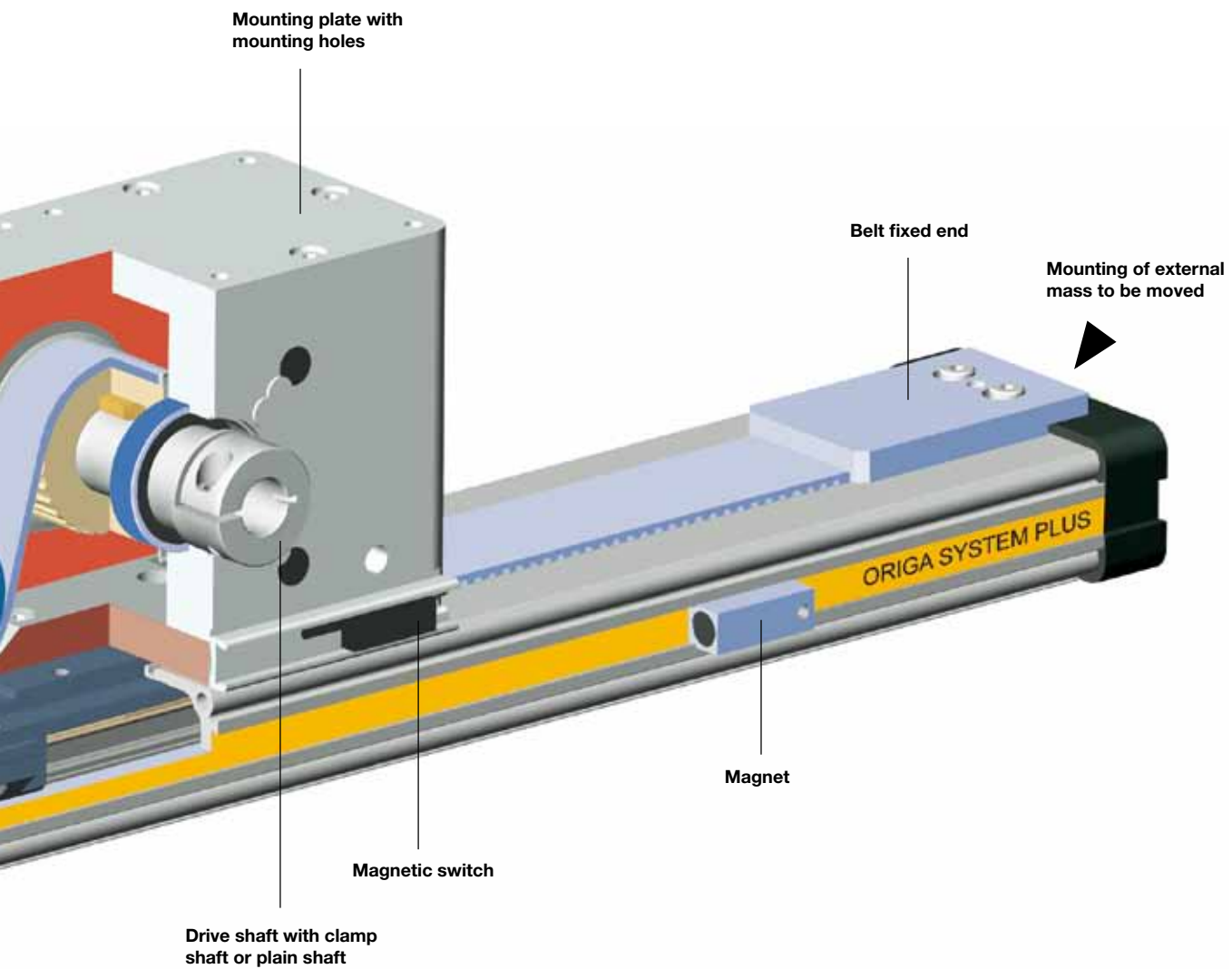
Advantages

- Fixed actuator head for low moving mass
- Integrated ball bearing guide for high bending moments
- Magnetic switch set for contactless position sensing
- Easy to install
- Low maintenance

Features

- High acceleration and speed
- Drive Shaft versions with clamp shaft or plain shaft
- Power transmission by belt
- Moving axis profile
- Complete motor and control packages





Take the easy route and load all the dimensions into your system. The file is suitable for all current CAD systems – available on CD-Rom or at www.parker-origa.com



Vertical Belt Actuator with Integrated Ball Bearing Guide
Size 20, 25
 Type: OSP-E..BV



Standard Versions:

- Vertical belt actuator with integrated ball bearing guide
- Drive shaft with clamp shaft or plain shaft
- Choice of motor mounting side

Options:

- Tandem version for higher moments
- Drive shaft with
 - clamp shaft and plain shaft or double plain shaft
 - hollow shaft with keyway
- Special drive shaft versions on request

Installation Instructions

Make sure that the OSP-E..BV is always operated by motor with holding brake on the actuator side. For the mounting of the external mass to be moved there are threaded holes in the end caps. Before mounting, check the correct centre of gravity distance from the table. Mount the external mass on the belt fixed end, so that the belt tension can be checked and adjusted at the belt tensioning end without dismantling.

Characteristics	Description
Series	OSP-E..BV
Mounting	See drawings
Ambient temperature range	-30 °C to +80 °C
Installation	Vertical
Encapsulation class	IP 20
Material	
Profile	Extruded anodized aluminium
Belt	Steel-corded polyurethane
Pulley	Aluminium
Guide	Ball bearing guide
Guide rail	Hardened steel rail with high precision, accuracy class N
Guide carrier preloaded 0.08 x C, accuracy class N	Steel carrier with integrated wiper system, grease nipples,
Screws, nuts	Zinc plated steel

Weight (mass) and Inertia

Series	Total weight (Mass) [kg]		Moving mass [kg]		Inertia [x 10 ⁻⁶ kgm ²]		
	At stroke 0 m	Actuator head	At stroke 0 m	Add per metre stroke	At Stroke 0 m	Add per metre stroke	Add per kg mass
OSP-E20BV	3.4	1.9	1.6	4.0	486	1144	289
OSP-E25BV	7.7	5.3	2.4	4.4	1695	2668	617
OSP-E20BV*	5.3	2 x 1.9	1.6	4.0	533	1144	289
OSP-E25BV*	13	2 x 5.3	2.4	4.4	1915	2668	617

* Version: Tandem (Option)

Maintenance

Depending on operating conditions, inspection of the actuator is recommended after 12 months or 3000 km operation. Please refer to the operating instructions supplied with the actuator.

First service start-up

The maximum values specified in the technical data sheet for the different products must not be exceeded. Before taking the actuator as a machine into service, the user must ensure the adherence to the EC Machine Directive 2006/42/EG.

Sizing Performance Overview

Maximum Loadings

Sizing of Actuator

The following steps are recommended for selection :

1. Determination of the lever arm length l_x, l_y and l_z from m_e to the centre axis of the actuator.
2. Calculation of the static and dynamic force F_A which must be transmitted by the belt.

$$F_A = F_g + F_a + F_0$$

$$= m_g \cdot g + m_g \cdot a + M_0 \cdot 2\pi / U_{ZR}$$
3. Calculation of all static and dynamic moments M_x, M_y and M_z which occur in the application.

$$M = F \cdot l$$
4. Selection of maximum permissible loads via Table T3.
5. Calculation and checking of the combined load, which must not be higher than 1.
6. Checking of the maximum moment that occurs at the drive shaft in Table T2.
7. Checking of the required action force F_A with the permissible load value from Table T1.

For motor sizing, the effective torque must be determined, taking into account the cycle time.

Legend

- l = distance of a mass in the x-, y- and z-direction from the guide [m]
- m_e = external moved mass [kg]
- m_{LA} = moved mass of actuator [kg]
- m_g = total moved mass ($m_e + m_{LA}$) [kg]
- F_A = action force [N]
- M_0 = no-load torque [Nm]
- U_{ZR} = circumference of the pulley (linear movement per revolution) [m]
- g = gravity [m/s²]
- a_{max} = maximum acceleration [m/s²]

Performance Overview

T1

Characteristics	Unit	Description		
Series		OSP-E20BV	OSP-E25BV	
Max. Speed	[m/s]	3.0	5.0	
Linear motion per revolution of drive shaft	[mm/U]	108	160	
Max. rpm. drive shaft	[min ⁻¹]	1700	1875	
Max. effective action force F_A at speed	1m/s	[N]	650	1430
	1 - 2 m/s	[N]	450	1200
	> 3 - 5 m/s	[N]	–	1050
No-load torque ²⁾	[Nm]	0.6	1.2	
Max. acceleration/deceleration	[m/s ²]	20	20	
Repeatability	+/- [mm/m]	0.05	0.05	
Max. standard stroke length ¹⁾	[mm]	1000	1500	
Max. recommended permissible mass ³⁾	[kg]	10	20	

¹⁾ Longer strokes on request

²⁾ As a result of static friction force

³⁾ vertical

Maximum Permissible Torque on Drive Shaft Speed / Stroke

T2

OSP-E-20BV				OSP-E-25BV			
Speed [m/s]	Torque [Nm]	Stroke [m]	Torque [Nm]	Speed [m/s]	Torque [Nm]	Stroke [m]	Torque [Nm]
1	19	1	17	1	36	1	36
2	17	2	11	2	30	2	36
3	16			3	30		
				4	28		
				5	27		

Important:

The maximum permissible torque on the drive shaft is the lowest value of the speed or stroke-dependent torque value.

Example above:

OSP-E25BV required speed $v = 3$ m/s and stroke = 1 m.

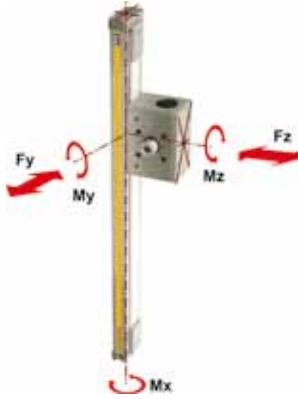
Accordingly Table T2 shows permissible moments of 30 Nm for the speed and 36 Nm for the stroke. Therefore the maximum moment at the drive shaft is determined by the speed and must not exceed 30 Nm.

Loads, Forces and Moments

Combined loads

If the actuator is subjected to several forces, loads and moments at the same time, the maximum load is calculated with the equation shown here.

The maximum permissible loads must not be exceeded.



$$M = F \cdot l \text{ [Nm]}$$

$$M_x = M_{x \text{ static}} + M_{x \text{ dynamic}}$$

$$M_y = M_{y \text{ static}} + M_{y \text{ dynamic}}$$

$$M_z = M_{z \text{ static}} + M_{z \text{ dynamic}}$$

The distance l (lx, ly, lz) for calculation of the bending moments relates to the centre axis of the actuator.

Maximum Permissible Loads

T3

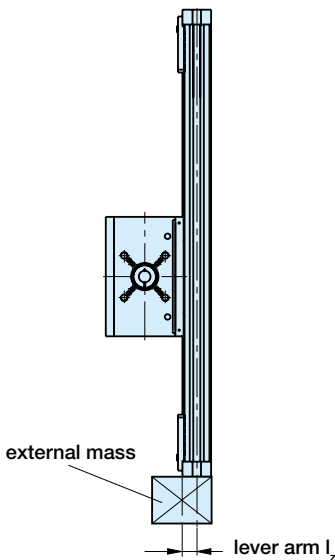
Size	Max. applied load [N]		Max. moments [Nm]		
	Fy [N]	Fz [N]	Mx	My	Mz
OSP-E20BV	1600	1600	20	100	100
OSP-E25BV	2000	3000	50	200	200

Equation of Combined Loads

$$\frac{F_z}{F_z \text{ (max)}} + \frac{M_x}{M_x \text{ (max)}} + \frac{M_y}{M_y \text{ (max)}} + \frac{M_z}{M_z \text{ (max)}} \leq 1$$

The total of the loads must not exceed >1 under any circumstances.

Distance of Centre of Gravity of External Mass from Mid-Point of Actuator



Mass [kg]	OSP-E20BV		OSP-E25BV	
	Lever arm lz [mm]	Max. permissible acceleration/ deceleration [m/s ²]	Lever arm lz [mm]	Max. permissible acceleration/ deceleration [m/s ²]
> 3 to 5	0	20	50	20
> 5 to 10	0	20	40	20
> 10 to 15	-	-	35	20
> 15 to 20	-	-	30	15

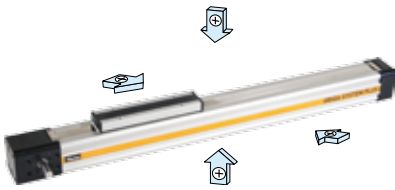
Options and Accessories

OSP-E..B

Belt actuator with internal plain bearing guide

STANDARD VERSIONS OSP-E..B

Carrier with internal guidance and magnet packet for contactless position sensing. Dovetail profile for mounting of accessories and the actuator itself.



DRIVE SHAFT VERSIONS

- Plain shaft or
- double plain shaft (Option)
e.g. to drive two actuators in parallel.



OPTIONS

TANDEM

For higher moment support.



BI-PARTING

For perfectly synchronised bi-parting movements.



ACCESSORIES

MOTOR MOUNTING



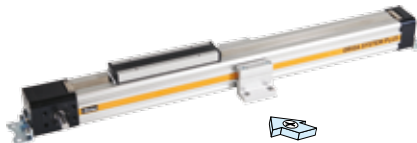
END CAP MOUNTING

For end-mounting of the actuator.



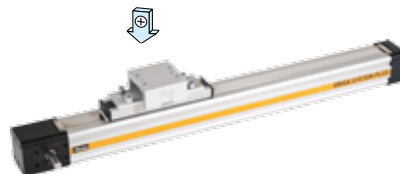
PROFILE MOUNTING

For supporting long actuators or mounting the actuator on the dovetail grooves.



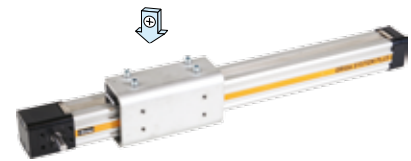
CLEVIS MOUNTING

Carrier with tolerance and parallelism compensation to drive external linear guides.



INVERSION MOUNTING

The inversion mounting, mounted on the carrier, transfers the driving force to the opposite side, e.g. for dirty environments.



MAGNETIC SWITCHES SERIES RST AND EST

For contactless position sensing of end stop and intermediate carrier positions.



Belt actuator with internal plain bearing guide for point-to-point applications

A completely new generation of actuators which can be integrated into any machine layout neatly and simply.

Advantages

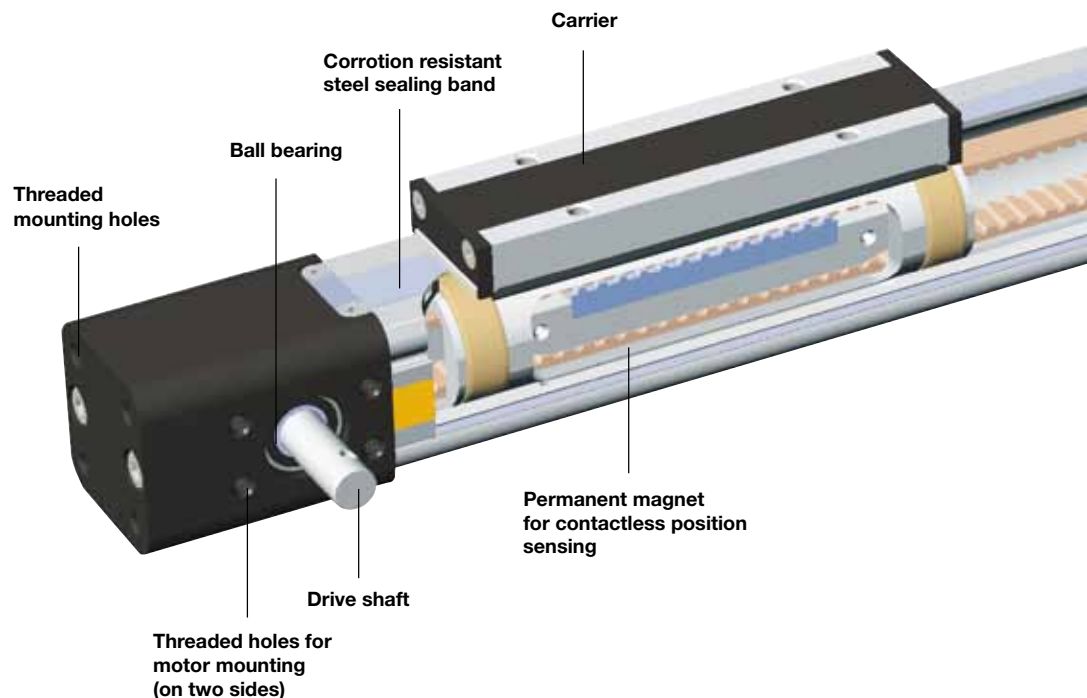
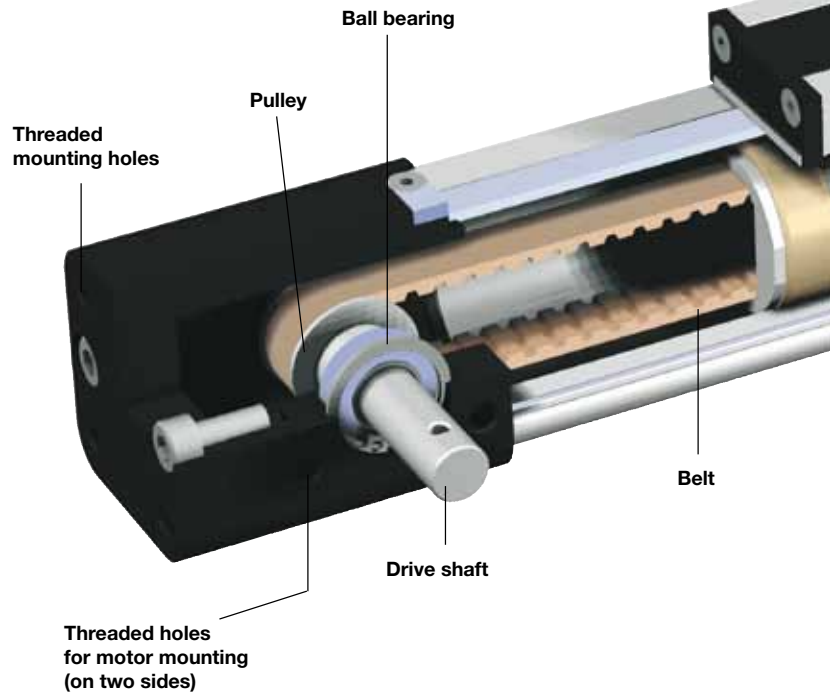
- Precise path and position control
- High speed operation
- Easy installation
- Low maintenance
- Ideal for precise point-to-point applications

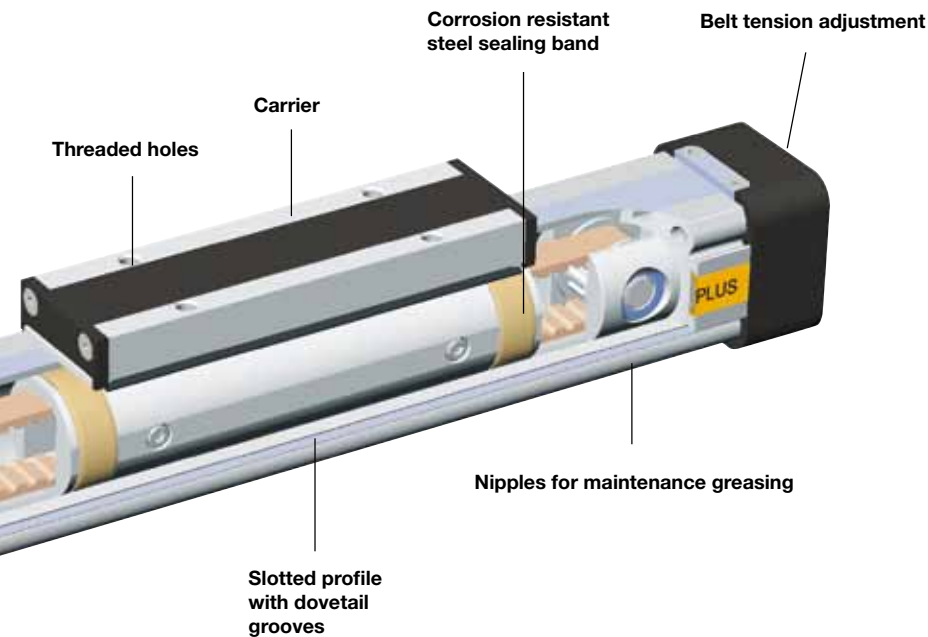
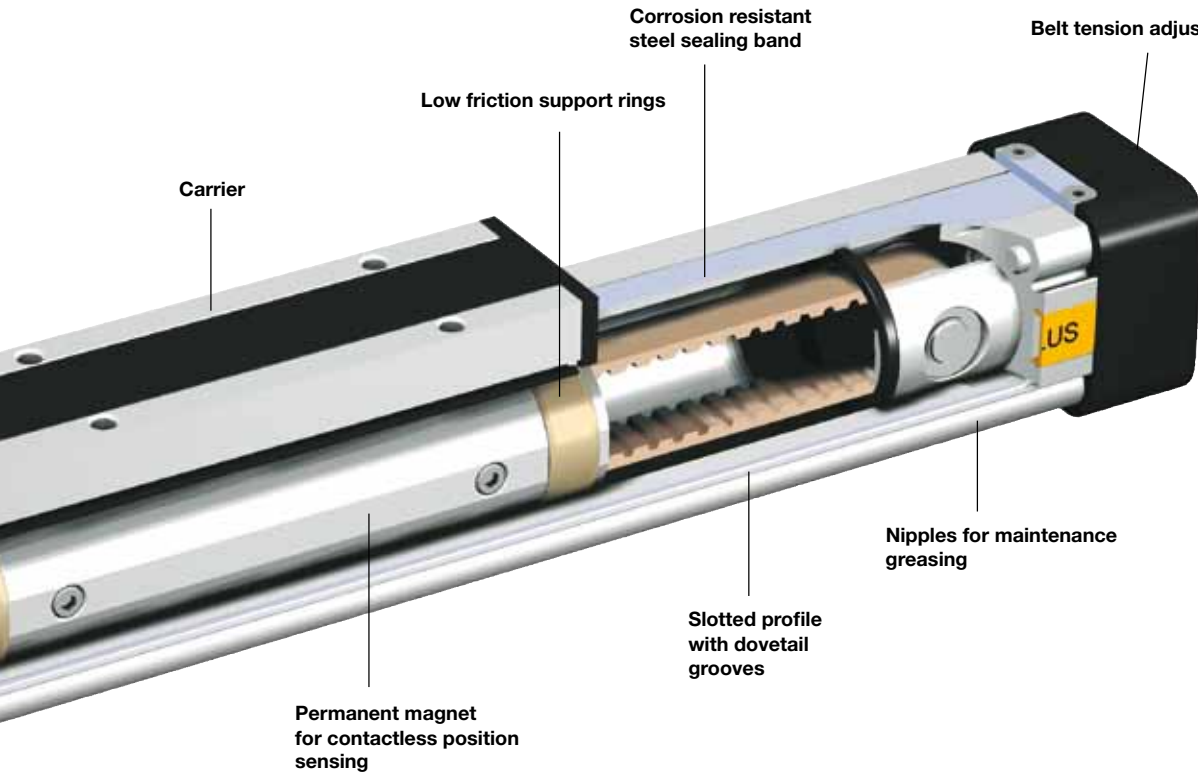
Features

- Integrated drive and guidance system
- Tandem configuration with increased carrier distance for higher moment supports
- Long available strokes
- Complete motor and control packages
- Diverse range of accessories and mountings
- Bi-parting and special options available



Take the easy route and load all the dimensions into your system. The file is suitable for all current CAD systems – available on CD-Rom or at www.parker-origa.com





POWERSLIDE
 Roller bearing precision guidance for smooth travel and high dynamic or static loads.



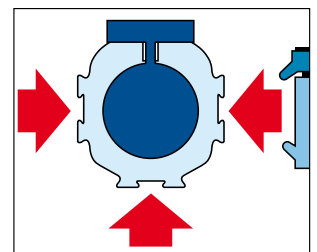
PROLINE
 The compact aluminium roller guide for high loads and velocities.



Tandem configuration with increased carrier distance for higher moment supports.
 Bi-parting version for precise synchronized movements



The dovetailed mounting rails of the new actuator expand its function into that of a universal system carrier. Modular system components are simply clamped on.



Belt Actuator with Internal Plain Bearing Guide

Size 22, 32, 50

Type: OSP-E..B

OSP
ORIGA
SYSTEM
PLUS



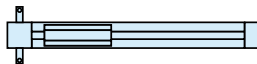
Standard Versions:

- Standard carrier with internal plain bearing guide
- Dovetail profile for mounting of accessories and the actuator itself
- Position of drive shafts



Options:

- Tandem version
- Bi-parting version for synchronized movements
- Drive shaft with double plain shaft



Installation Instructions

Use the threaded holes in the end cap for mounting the actuator. See if Profile Mountings are needed using the maximum allowable unsupported length graph.

At least one end cap must be secured to prevent axial sliding when profile mounting is used.

When the actuator is moving an externally guided load, the compensation must be used.

The actuators can be fitted with the standard carrier mounting facing in any direction.

To prevent contamination such as fluid ingress, the actuator should be fitted with its sealing band facing downwards.

The inversion mounting can be fitted to transfer the driving force to the opposite side.

Characteristics	Description
Series	OSP-E..B
Mounting	See drawings
Ambient temperature range	-30 °C to +80 °C
Installation	See table
Encapsulation class	IP 54
Material	
Slotted Profile	Extruded anodized aluminium
Belt	Steel-corded polyurethane
Pulley	Aluminium
Guide bearings	Low friction plastic
Sealing band	Hardened corrosion resistant steel
Screws, nuts	Zinc plated steel
Mountings	Zinc plated steel and aluminium

Weight (mass) and Inertia

Series	at stroke 0 m	Weight (mass) [kg]		Inertia [$\times 10^{-6}$ kgm ²]	
		ad per meter stroke	moving mass	at stroke 0 m	ad per meter stroke
OSP-E25B	0.9	1.6	0.2	25	6.6
OSP-E32B	1.9	3.2	0.4	43	10
OSP-E50B	5.2	6.2	1.0	312	45
OSP-E25B*	1.2	1.6	0.5	48	6.6
OSP-E32B*	2.3	3.2	0.8	83	10
OSP-E50B*	6.3	6.2	2.1	585	45

* Version: Tandem and Bi-parting (Option)

Maintenance

All moving parts are long-term lubricated for a normal operational environment. Parker Origa recommends a check and lubrication of the actuator, and if necessary a change of the belt and wear parts, after an operation time of 12 months of operation or 3 000 km travel of distance.

Additional greasing is easily done by using nipples in the slotted profile. Please refer to the operating instructions supplied with the actuator.

First service start-up

The maximum values specified in the technical data sheet for the different products must not be exceeded. Before taking the actuator as a machine into service, the user must ensure the adherence to the EC Machine Directive 2006/42/EG.

Sizing Performance Overview

Maximum Loadings

Sizing of Actuator

The following steps are recommended for selection :

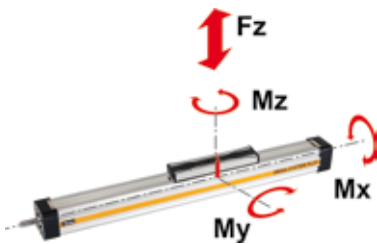
1. Required acceleration,
2. Required torque is shown on page 332
3. Check that maximum values in the table 3 are not exceeded
4. Drive shaft by using table T2. (Pay attention to note under table) If value is lower than required, overview the moving profile or select if possible a bigger unit.
5. Before sizing and specifying the motor, the average torque must be calculated using the cycle time of the application.
6. Check that the maximum allowable unsupported length is not exceeded.

Loads, Forces and Moments

Combined loads

If the actuator is subjected to several forces, loads and moments at the same time, the maximum load is calculated with the equation shown here.

The maximum permissible loads must not be exceeded.



$$M = F \cdot l \text{ [Nm]}$$

$$M_x = M_{x \text{ static}} + M_{x \text{ dynamic}}$$

$$M_y = M_{y \text{ static}} + M_{y \text{ dynamic}}$$

$$M_z = M_{z \text{ static}} + M_{z \text{ dynamic}}$$

The distance l (lx, ly, lz) for calculation of the bending moments relates to the centre axis of the actuator.

Performance Overview

Characteristics	Unit	Description		
Size		OSP-E25B	OSP-E32B	OSP-E50B
Max. speed	[m/s]	2	3	5
Linear motion per revolution, drive shaft	[mm]	60	60	100
Max. rpm drive shaft	[min ⁻¹]	2 000	3 000	3 000
Max. effective action force F_A at speed	< 1 m/s:	[N] 50	150	425
	1- 2 m/s:	[N] 50	120	375
	> 2 m/s:	[N] -	100	300
No-load torque	[Nm]	0.4	0.5	0.6
Max. acceleration/deceleration	[m/s ²]	10	10	10
Repeatability	[mm/m]	±0.05	±0.05	±0.05
Max. stroke length OSP-E..B	[mm]	3000	5000	5000
Max. stroke length OSP-E..B*	[mm]	2 x 1500	2 x 2500	2 x 2500

* Bi-parting version

Maximum Permissible Torque on Drive Shaft Speed / Stroke T2

OSP-E25B				OSP-E32B				OSP-E50B			
Speed [m/s]	Torque [Nm]	Stroke [m]	Torque [Nm]	Speed. [m/s]	Torque [Nm]	Stroke [m]	Torque [Nm]	Speed. [m/s]	Torque [Nm]	Stroke [m]	Torque [Nm]
1	0.9	1	0.9	1	2.3	1	2.3	1	10.0	1	10.0
2	0.9	2	0.9	2	2.0	2	2.3	2	9.5	2	10.0
		3	0.9			3	1.8			3	9.0
						4	2.3			4	7.0
						5	1.8			5	6.0

Important:

The maximum permissible torque on the drive shaft is the lowest value of the speed or stroke-dependent torque value.

Example above:

OSP-E32B stroke 2 m, required speed 3 m/s;

From table T2: speed 3 m/s gives 1.8 Nm and stroke 2 m gives 2.3 Nm.

Max. torque for this application is 1.8 Nm.

Maximum Permissible Loads T3

Size	Max. applied load [N] F_z	Max. moments [Nm]		
		M_x	M_y	M_z
OSP-E25B	500	2	12	8
OSP-E32B	1200	8	25	16
OSP-E50B	3000	16	80	32
OSP-E..B Bi-partional	The maximum load F must be equally distributed among the two carriers			

Equation of Combined Loads

$$\frac{F_z}{F_z \text{ (max)}} + \frac{M_x}{M_x \text{ (max)}} + \frac{M_y}{M_y \text{ (max)}} + \frac{M_z}{M_z \text{ (max)}} \leq 1$$

The total of the loads must not exceed >1 under any circumstances.

Maximum Permissible Unsupported Length

Stroke length

The stroke lengths of the actuators are available in multiples of 1 mm up to max.

OSP-E25B: 3 m / 2 x 1.5 m *

OSP-E32B: 5 m / 2 x 2.5 m *

OSP-E50B: 5 m / 2 x 2.5 m *

* Version: Bi-partional

Other stroke lengths are available on request.

The end of stroke must not be used as a mechanical stop.

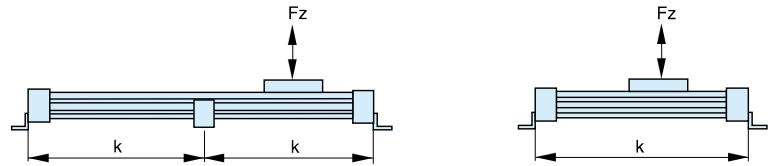
Allow an additional safety clearance at both ends equivalent to the linear movement of one revolution of the drive shaft.

The use of an AC motor with frequency converter normally requires a larger safety clearance than that required for servo systems.

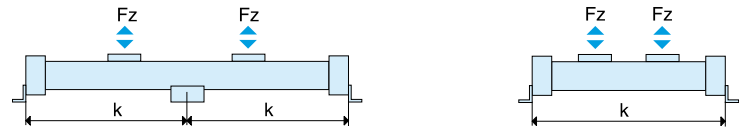
For advise, please contact your local Parker Origa technical support department.

Maximum Permissible Unsupported Length – Placing of Profile Mounting

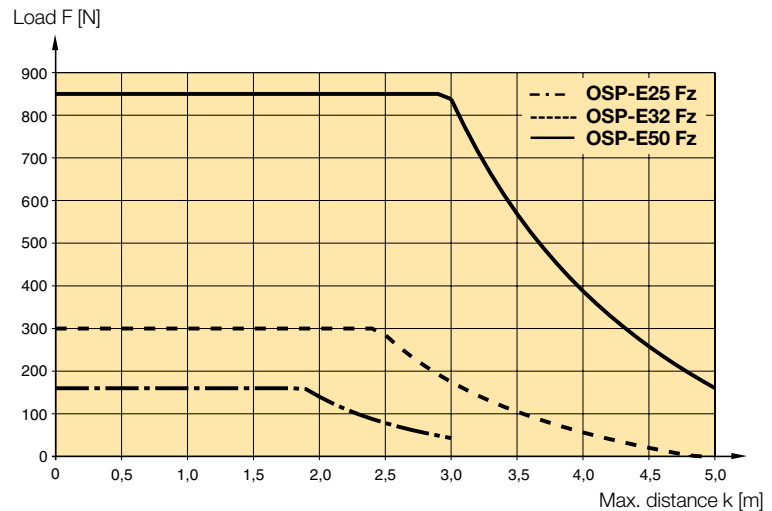
Series OSP-E..B



Series OSP-E..B Bi-parting version



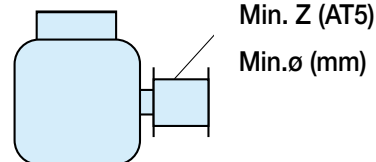
k = Maximum permissible distance between mountings/mid-section support for a given load F.



(Up to the curve in the above graph the deflection will be max. 0.2 % of distance k.)

Mounting on the Drive Shaft

Do not expose the drive shaft to uncontrolled axial or radial forces when mounting coupling or pulley, a steadying block should be used.



Pulleys

Minimum allowable number of teeth Z (AT5) at maximum applied torque.

Size	Min. Z	Min. ø
OSP-E25B	24	38
OSP-E32B	24	38
OSP-E50B	36	57

Required Acceleration

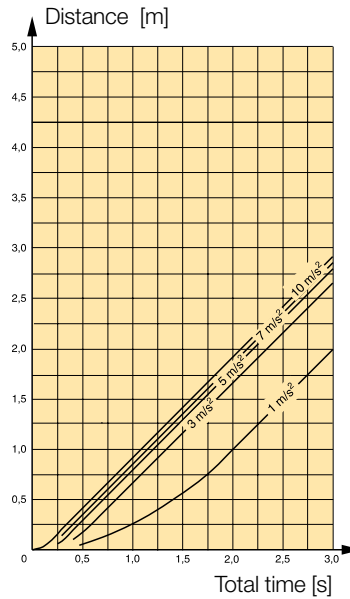
Distance / Time Graph

Using the required travel distance and total time, the adjacent graphs show the required acceleration based on maximum speed.

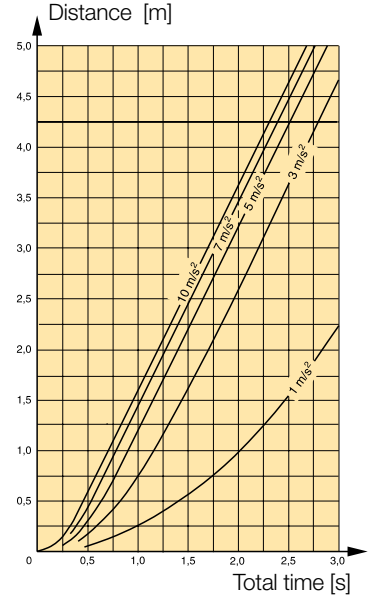
The graphs assume that acceleration and deceleration are equal.

Please note that specifying non-essential high acceleration or short cycle time will result in an oversized motor.

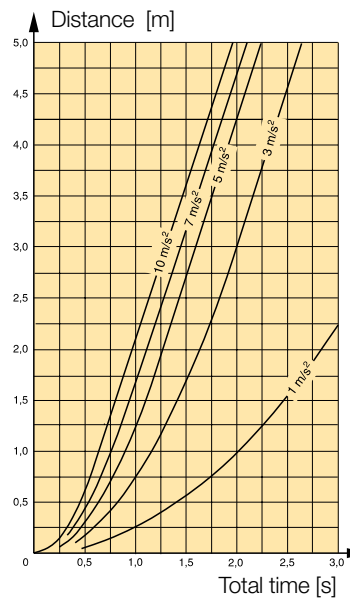
Max speed 1 m/s



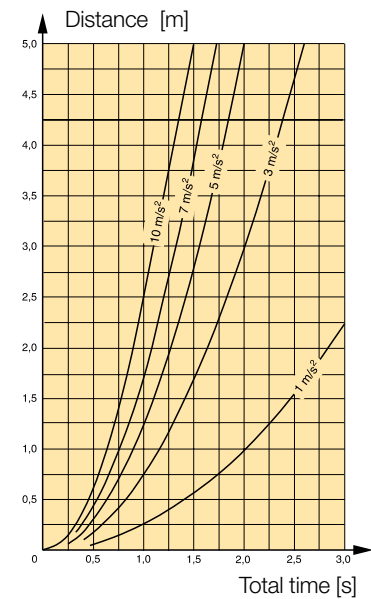
Max speed 2 m/s



Max speed 3 m/s



Max speed 5 m/s



Required Torque / Mass

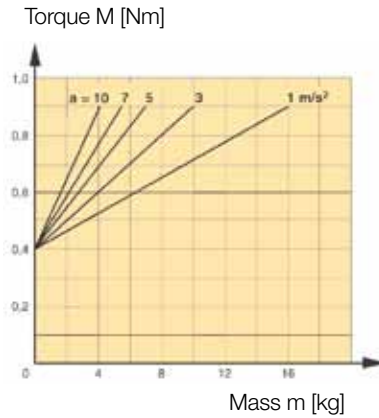
Using the known mass, the direction of the application and the required acceleration from the distance-time graphs, the actuator can be sized and the required torque is shown in the adjacent graphs.

Mass in graphs = Load + moving mass of the actuator.

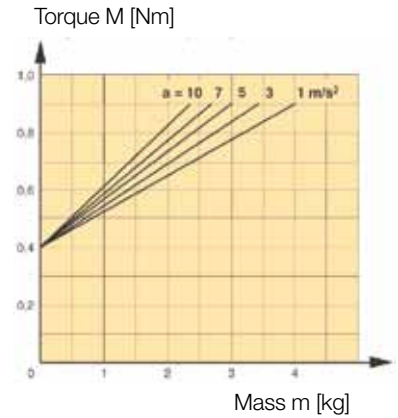
Please note:

When using an additional guide, please add the mass of the carriage to the total moving mass.

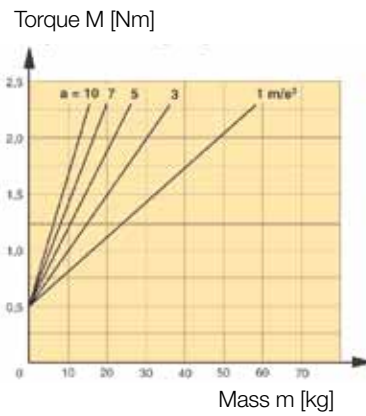
**Size OSP-E25B,
Horizontal Application**



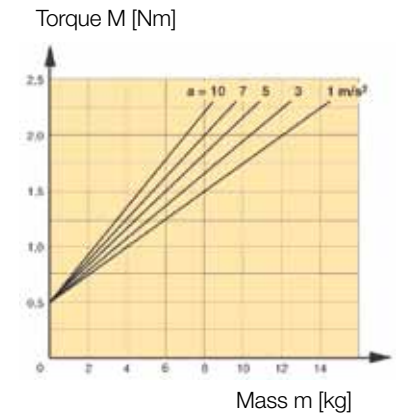
**Size OSP-E25B,
Vertical Application**



**Size OSP-E32B,
Horizontal Application**

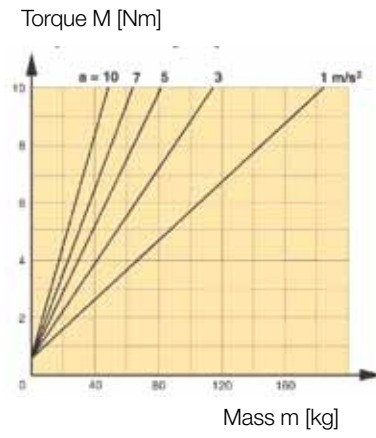


**Size OSP-E32B,
Vertical Application**

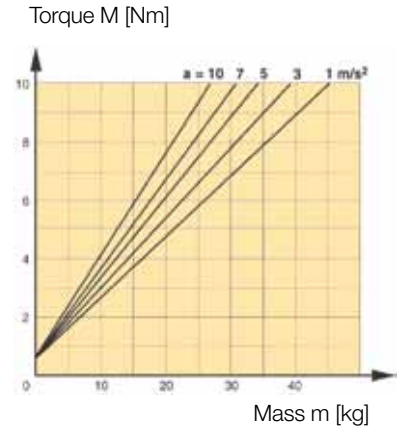


Required Torque / Mass

**Size OSP-E50B,
 Horizontal Application**



**Size OSP-E50B,
 Vertical Application**



Ball screw actuator with internal plain bearing guide for high accuracy applications

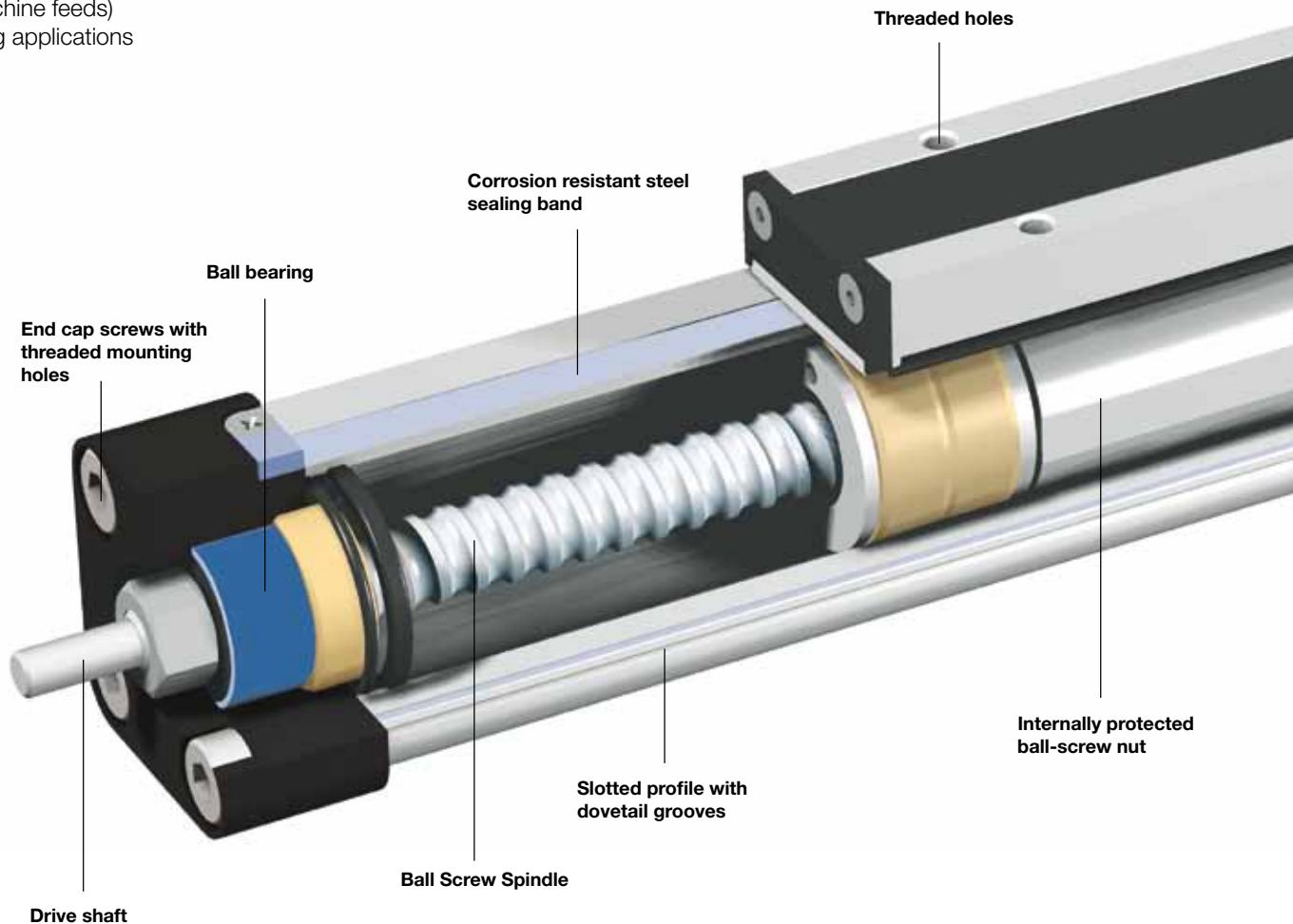
A completely new generation of actuators which can be integrated into any machine layout neatly and simply.

Advantages

- Accurate path and position control
- High force output
- Easy installation
- Excellent slow speed characteristics
- Ideal for precise traverse operations (e.g. machine feeds) and lifting applications

Features

- Integrated drive and guidance system
- Complete motor and control packages
- Diverse range of accessories and mountings
- Optimal screw pitches (5, 10, 25 mm)



Clean Room-Version
 certified to DIN EN ISO 14644-1



SLIDELINE
 Combination with linear guides provides for heavier loads.



POWERSLIDE
 Roller bearing precision guidance for smooth travel and high dynamic or static loads.



PROLINE
 The compact aluminium roller guide for high loads and velocities.



Heavy Duty guide HD
 linear guides for heavy duty applications

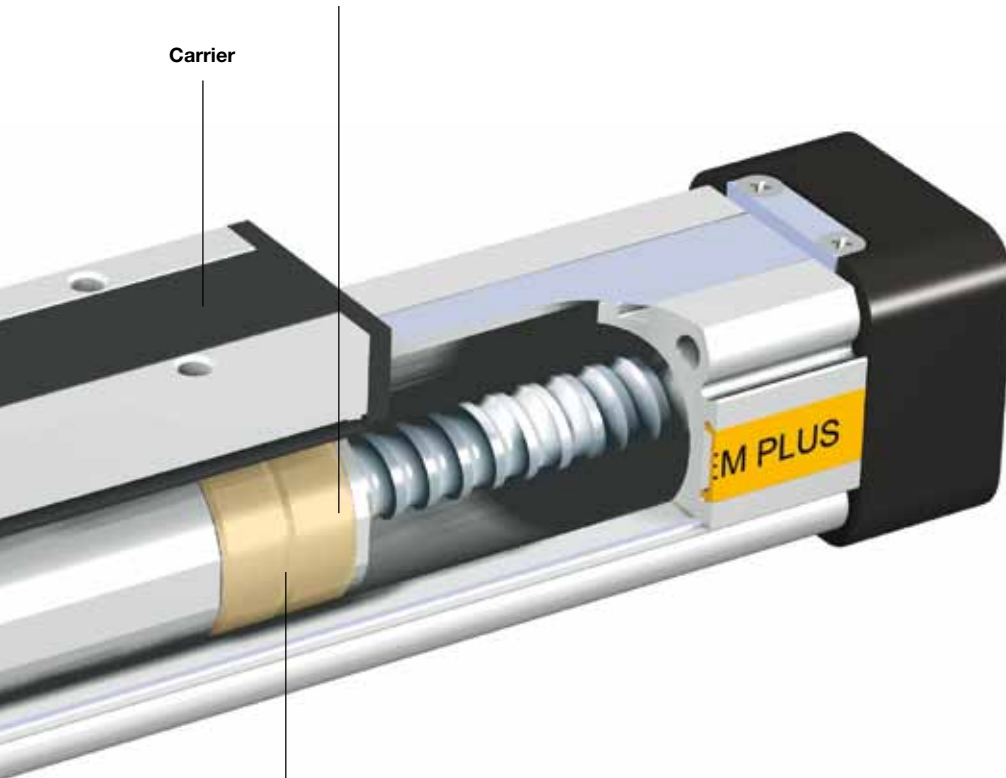


SFI-plus
 displacement measuring system



Low friction support rings

Carrier

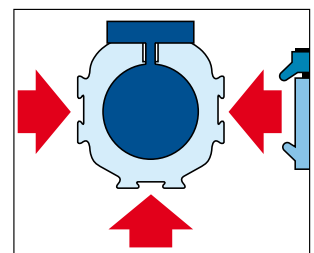


Permanent magnet for contactless sensing



Take the easy route and load all the dimensions into your system. The file is suitable for all current CAD systems – available on CD-Rom or at www.parker-origa.com

The dovetailed mounting rails of the new actuator expand its function into that of a universal system carrier. Modular system components are simply clamped on.



Ball Screw Actuator with Internal Plain Bearing Guide
Size 22, 32, 50
 Type: OSP-E..SB



Standard Versions:

- Standard carrier with internal plain bearing guide
- Dovetail profile for mounting of accessories and the actuator itself
- Pitches of Ball Screw Spindle
 Type OSP-E25 : 5 mm
 Type OSP-E32: 5, 10 mm
 Type OSP-E50: 5, 10, 25 mm

Options:

- Tandem version
- Clean room-version, according to DIN EN ISO 14644-1
- Displacement Measuring System SFI-plus

Installation Instructions

Use the threaded holes in the end cap for mounting the actuator. See if Profile Mountings are needed using the maximum allowable unsupported length graph. At least one end cap must be secured to prevent axial sliding when profile mounting is used.

When the actuator is moving an externally guided load, the compensation must be used.

The actuators can be fitted with the standard carrier mounting facing in any direction.

To prevent contamination such as fluid ingress, the actuator should be fitted with its sealing band facing downwards. The inversion mounting can be fitted to transfer the driving force to the opposite side.

Characteristics	Description
Series	OSP-E..SB
Ambient temperature range	-20 °C to +80 °C
Installation	In any position
Mounting	See drawing
Encapsulation class	IP 54
Material	
Slotted Profile	Extruded anodized aluminium
Ball screw	Hardened steel
Ball screw nut	Hardened steel
Guide bearings	Low friction plastic
Sealing band	Hardened corrosion resistant steel
Screws, nuts	Zinc plated steel
Mountings	Zinc plated steel and aluminium

Weight (mass) and Inertia

Series	at stroke 0 m	Weight (mass) [kg]		Inertia [$\times 10^{-6}$ kgm ²]	
		ad per meter stroke	moving mass	at stroke 0 m	ad per meter stroke
OSP-E25SB	0.8	2.3	0.2	2.2	11
OSP-E32SB	2.0	4.4	0.4	8.4	32
OSP-E50SB	5.2	9.4	1.2	84.0	225

Maintenance

All moving parts are long-term lubricated for a normal operational environment. Parker Origa recommends a check and lubrication of the actuator, and if necessary a change of the belt and wear parts, after an operation time of 12 months of operation or 3 000 km travel of distance. Please refer to the operating instructions supplied with the actuator.

First service start-up

The maximum values specified in the technical data sheet for the different products must not be exceeded. Before taking the actuator as a machine into service, the user must ensure the adherence to the EC Machine Directive 2006/42/EG.

Sizing Performance Overview

Maximum Loadings

Sizing of Actuator

The following steps are recommended for selection :

1. Recommended maximum acceleration is shown in graphs
2. Required torque is shown in graphs
3. Check that maximum values in the adjacent charts are not exceeded.
4. When sizing and specifying the motor, the RMS-average torque must be calculated using the cycle time of the application.
5. Check that the maximum allowable unsupported length is not exceeded.

Performance Overview

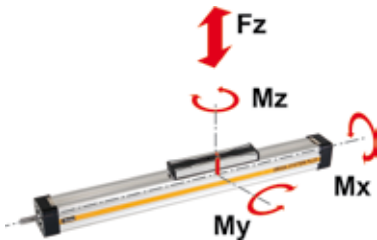
Characteristics	Unit	Description					
Series		OSP-E25SB		OSP-E32SB		OSP-E50SB	
Pitch	[mm]	5	5	10	5	10	25
Max. speed	[m/s]	0.25	0.25	0.5	0.25	0.5	1.25
Linear motion per revolution drive shaft	[mm]	5	5	10	5	10	25
Max. rpm, drive shaft	[min ⁻¹]	3 000		3 000		3 000	
Max. effective action force F _A	[N]	250		600		1 500	
Corresponding torque on drive shaft	[Nm]	0.35		0.75 1.3		1.7 3.1 7.3	
No-load torque	[Nm]	0.2		0.3		0.3 0.4 0.5	
Max. allowable torque on drive shaft	[Nm]	0.6		1.5		2.8 4.2 7.5 20	
Repeatability	[mm/m]	±0.05		±0.05		±0.05	
Max. Standard stroke length	[mm]	1100		2000		3200	

Loads, Forces and Moments

Combined loads

If the actuator is subjected to several forces, loads and moments at the same time, the maximum load is calculated with the equation shown here.

The maximum permissible loads must not be exceeded.



$$M = F \cdot l \text{ [Nm]}$$

$$M_x = M_{x \text{ static}} + M_{x \text{ dynamic}}$$

$$M_y = M_{y \text{ static}} + M_{y \text{ dynamic}}$$

$$M_z = M_{z \text{ static}} + M_{z \text{ dynamic}}$$

The distance l (lx, ly, lz) for calculation of the bending moments relates to the centre axis of the actuator.

Maximum Permissible Loads

Size	Max. applied load [N] Fz	Max. moments [Nm]		Mz
		Mx	My	
OSP-E25SB	500	2	12	8
OSP-E32SB	1200	8	25	16
OSP-E50SB	3000	16	80	32

Equation of Combined Loads

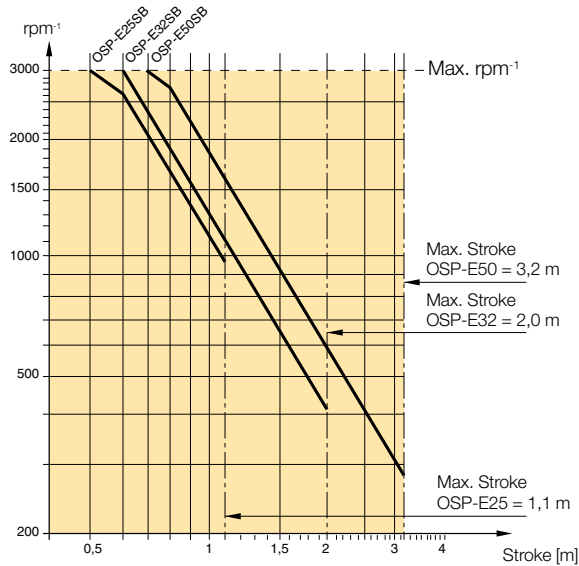
$$\frac{F_z}{F_z \text{ (max)}} + \frac{M_x}{M_x \text{ (max)}} + \frac{M_y}{M_y \text{ (max)}} + \frac{M_z}{M_z \text{ (max)}} \leq 1$$

The total of the loads must not exceed >1 under any circumstances.

Maximum rpm / Stroke

At longer strokes the speed has to be reduced according to the adjacent graphs.

Maximum rpm / Stroke



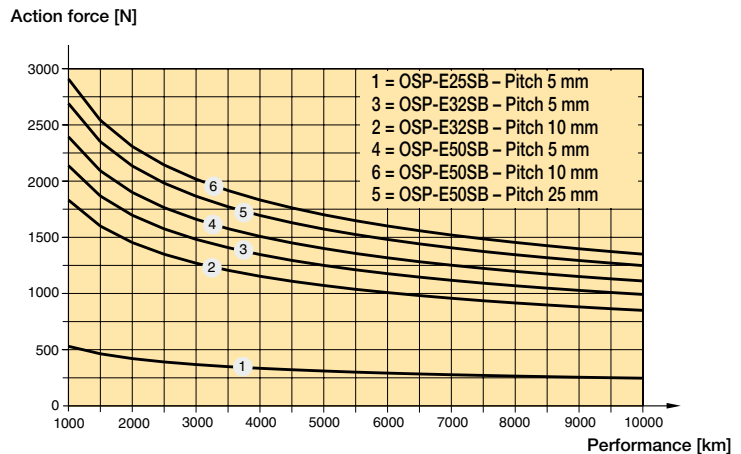
The maximum rpm shown in the graph, is 80% of the critical rpm.

Performance / Action Force

The performance to be expected depends on the maximum required actions force of the application.

An increase of the action force will lead to a reduced performance.

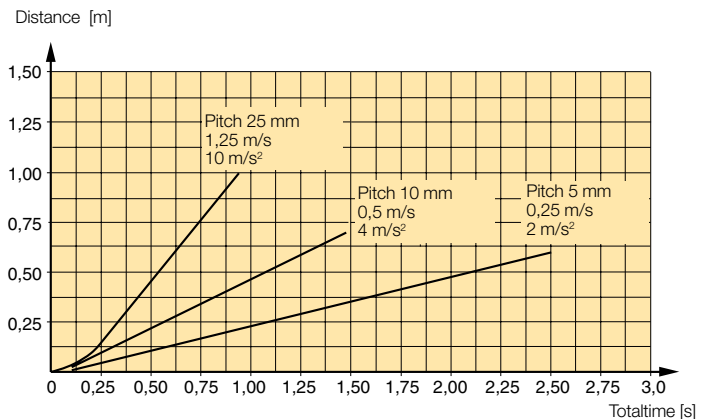
Performance as a function of the action force



Distance / Time Graph

The adjacent graphs show travel distance and total time at maximum speed and recommended maximum acceleration. The graph assumes that acceleration and deceleration are equal.

Distance / Time Graph



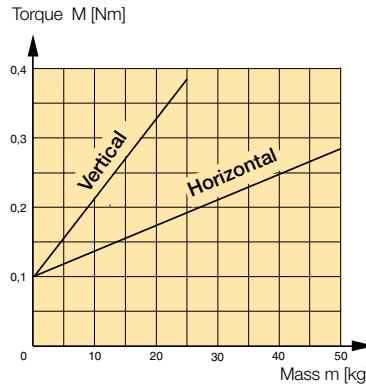
Required Torque / Mass

Using the known mass, the direction of the application and the recommended acceleration, the actuator can be sized and the required torque is shown in the adjacent graphs.
 Mass in graphs = Load + moving mass of the actuator according to the weight chart.

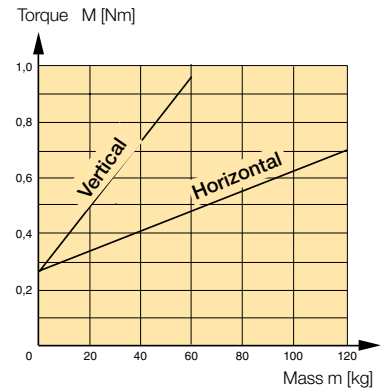
Please mind:

If an additional guide is used, mind the weight of the guide carriage.

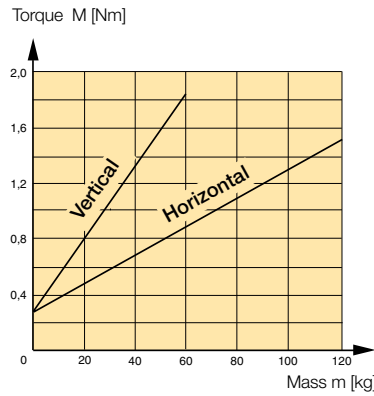
**Size OSP-E25SB, Pitch 5mm
 Acceleration 2 m/s²**



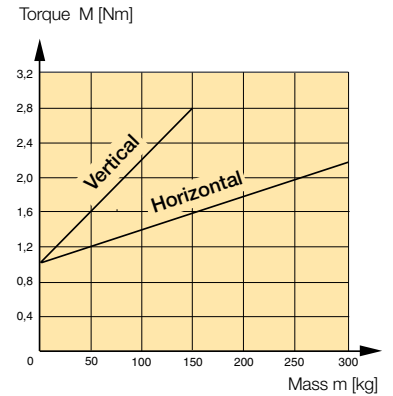
**Size OSP-E32SB, Pitch 5mm
 Acceleration 2 m/s²**



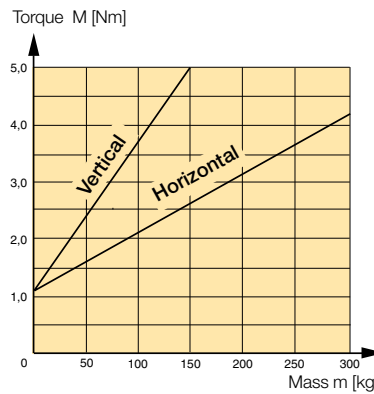
**Size OSP-E32SB, Pitch 10mm
 Acceleration 4 m/s²**



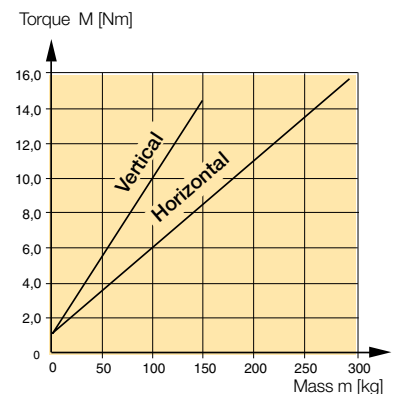
**Size OSP-E50SB, Pitch 5mm
 Acceleration 2 m/s²**



**Size OSP-E50SB, Pitch 10mm
 Acceleration 4 m/s²**



**Size OSP-E50SB, Pitch 25mm
 Acceleration 10 m/s²**



Trapezoidal screw actuator with internal plain bearing guide for intermittent applications

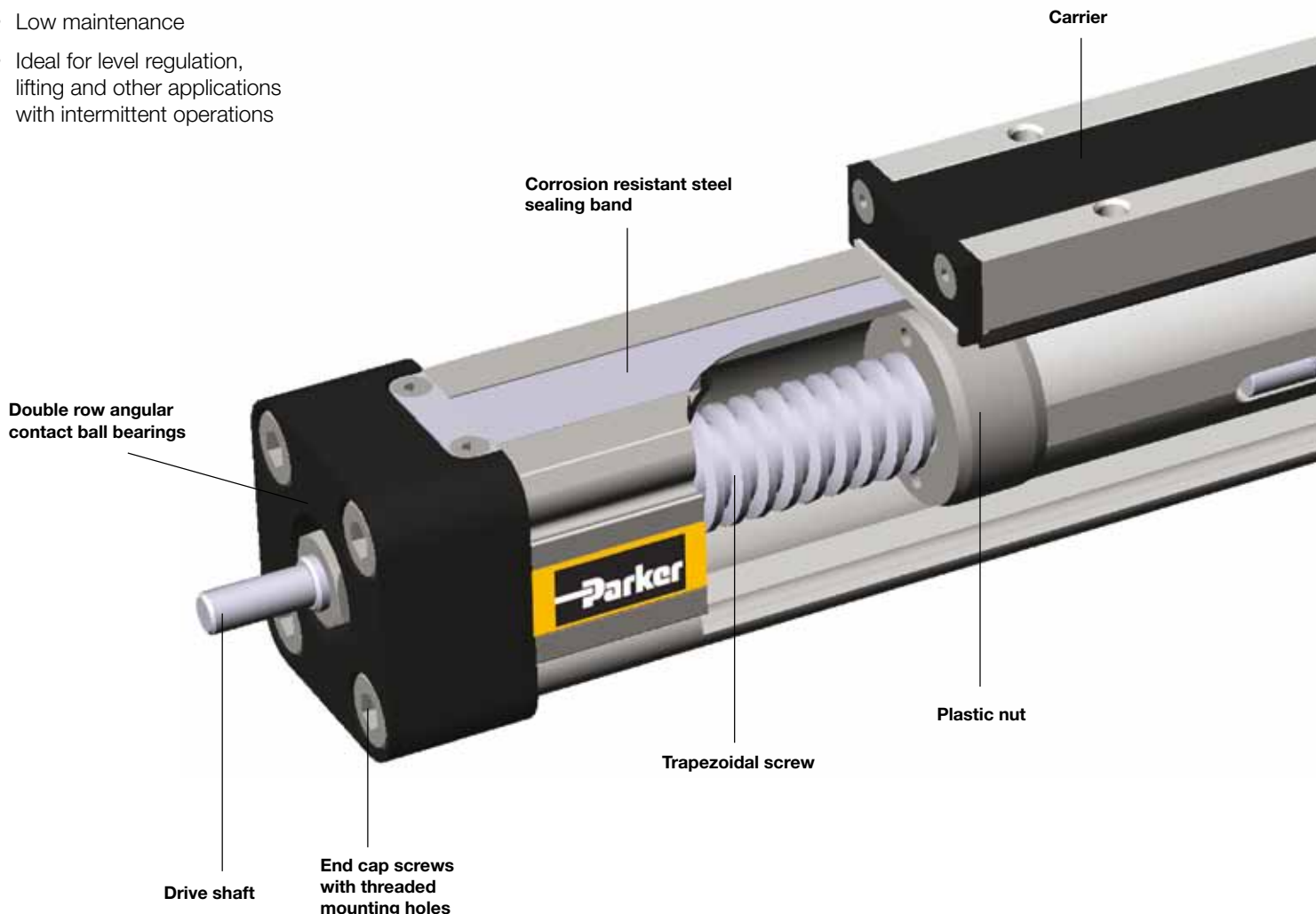
A completely new generation of actuators which can be integrated into any machine layout neatly and simply.

Advantages

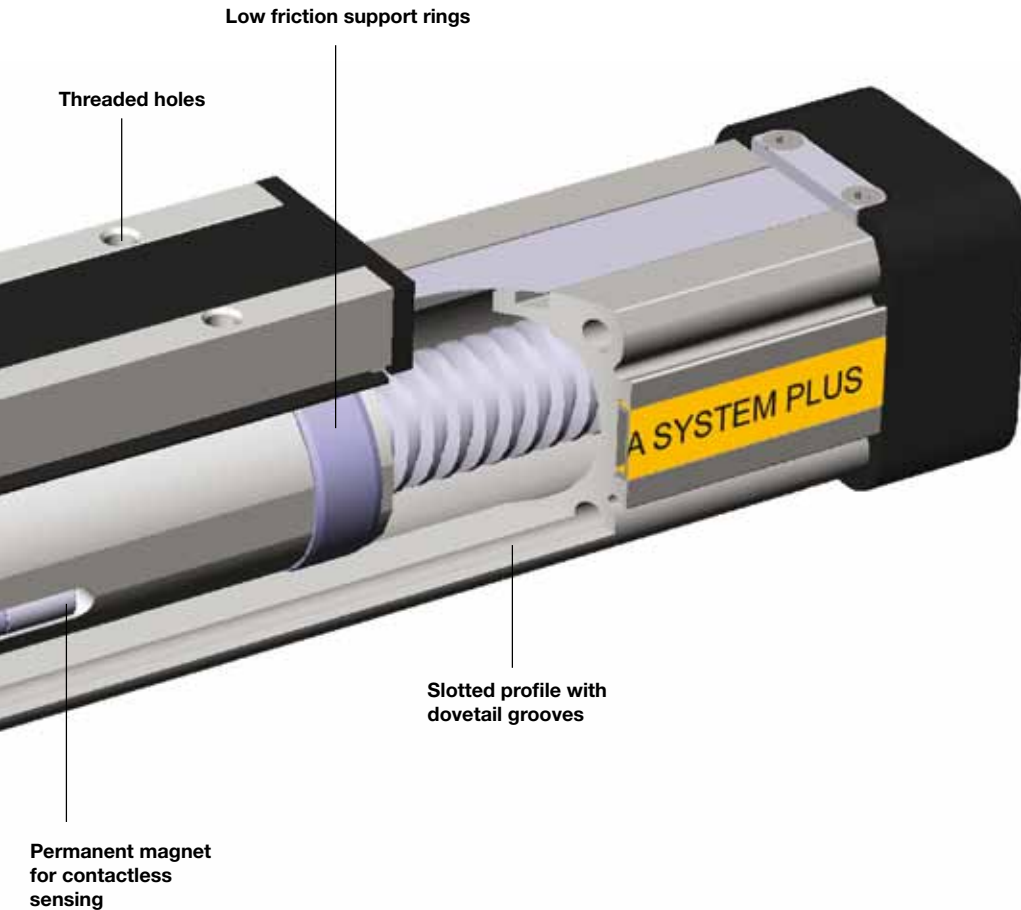
- Accurate path and position control
- High force output
- Self-locking
- Excellent slow speed characteristics
- Easy installation
- Low maintenance
- Ideal for level regulation, lifting and other applications with intermittent operations

Features

- Integrated drive and guidance system
- Complete motor and control packages
- Diverse range of accessories and mountings
- Special options available



Take the easy route and load all the dimensions into your system. The file is suitable for all current CAD systems – available on CD-Rom or at www.parker-origa.com



SLIDELINE
 Combination with sliding guide for heavy-duty operation



POWERSLIDE
 Roller bearing precision guidance for smooth travel and high dynamic or static loads.



PROLINE
 The compact aluminium roller guide for high loads and velocities.



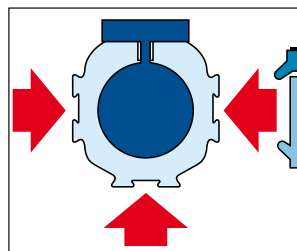
Heavy Duty guide
 HD linear guides for heavy duty applications



SFI-plus
 displacement measuring system



The dovetailed mounting rails of the new actuator expand its function into that of a universal system carrier. Modular system components are simply clamped on.



Trapezoidal Screw Actuator with Internal Plain Bearing Guide

Size 22, 32, 50

Type: OSP-E..ST

OSP
— ORIGA
— SYSTEM
— PLUS



Standard Versions:

- Standard carrier with internal plain bearing guide
- Dovetail profile for mounting of accessories and the actuator itself
- Pitch of Trapezoidal Spindle:
Type OSP-E25ST: 4 mm
Type OSP-E32ST: 4 mm
Type OSP-E50ST: 6 mm

Options:

- Displacement Measuring System SFI-plus
- Keyway

Installation Instructions

Use the threaded holes in the free end cap and a profile mounting close to the motor end for mounting the actuator. See if profile mountings are needed using the maximum permissible unsupported length graph.

At least one end cap must be secured to prevent axial sliding when Profile Mounting is used.

When the actuator is moving an externally guided load, the compensation must be used.

The actuators can be fitted with the standard carrier mounting facing in any direction.

To prevent contamination such as fluid ingress, the drive should be fitted with its sealing band facing downwards.

The inversion mounting can be fitted to transfer the driving force to the opposite side.

Characteristics	Description
Series	OSP-E..ST
Mounting	See drawings
Ambient temperature range	-20 °C to +70 °C
Installation	In any position
Material	
Slotted Profile	Extruded anodized aluminium
Trapezoidal screw	Cold rolled steel
Drive nut	Thermoplastic polyester
Guide bearings	Low friction plastic
Sealing band	Hardened corrosion resistant steel
Screws, nuts	Zinc plated steel
Mountings	Zinc plated steel and aluminium

Weight (mass) and Inertia

Series	at stroke 0 m	Weight (mass) [kg]		Inertia [$\times 10^{-6}$ kgm ²]	
		ad per meter stroke	moving mass	at stroke 0 m	ad per meter stroke
OSP-E25ST	0.9	2.8	0.2	6	30
OSP-E32ST	2.1	5.0	0.5	21.7	81
OSP-E50ST	5.1	10.6	1.3	152	400

Maintenance

All moving parts are long-term lubricated for a normal operational environment. Parker Origa recommends a check and lubrication of the actuator, and if necessary a change of the belt and wear parts, after an operation time of 12 months of operation or 3000 km travel of distance.

Please refer to the operating instructions supplied with the drive

First service start-up

The maximum values specified in the technical data sheet for the different products must not be exceeded. Before taking the actuator as a machine into service, the user must ensure the adherence to the EC Machine Directive 2006/42/EG.

Sizing Performance Overview

Maximum Loadings

Sizing of Actuator

The following steps are recommended for selection :

1. Check that maximum values in the table T3 are not exceeded.
2. Check the maximum values in graph are not exceeded.
3. When sizing and specifying the motor, the RMS-average torque must be calculated using the cycle time of the application.
4. Check that the maximum allowable unsupported length is not exceeded

Performance Overview

Characteristics	Unit	Description		
		OSP-E25ST	OSP-E32ST	OSP-E50ST
Size				
Pitch	[mm]	4	4	6
Max. speed	[m/s]	0.1	0.1	0.15
Linear motion per revolution drive shaft	[mm]	4	4	6
Max. rpm, drive shaft	[min-1]	1500	1500	1500
Max. effective action force FA	[N]	600	1300	2 500
Corresponding torque on drive shaft	[Nm]	1.35	3.2	8.8
No-load torque	[Nm]	0.3	0.4	0.5
Max. allowable torque on drive shaft	[Nm]	1.55	4.0	9.4
Self-locking force FL1)	[N]	600	1300	2500
Repeatability	[mm/m]	±0.5	±0.5	±0.5
Max. Standard stroke length	[mm]	1100	2000	2500*

¹⁾ Related to screw types Tr 16x4, Tr 20x4, TR 30x6

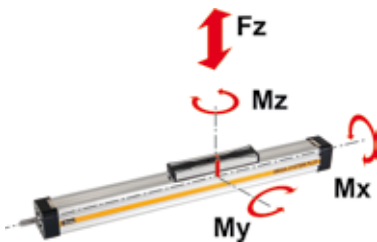
* For strokes longer than 2000 mm in horizontal applications, please contact our customer support.

Loads, Forces and Moments

Combined loads

If the actuator is subjected to several forces, loads and moments at the same time, the maximum load is calculated with the equation shown here.

The maximum permissible loads must not be exceeded.



$$M = F \cdot l \text{ [Nm]}$$

$$M_x = M_{x \text{ static}} + M_{x \text{ dynamic}}$$

$$M_y = M_{y \text{ static}} + M_{y \text{ dynamic}}$$

$$M_z = M_{z \text{ static}} + M_{z \text{ dynamic}}$$

The distance l (lx, ly, lz) for calculation of the bending moments relates to the centre axis of the actuator.

Maximum Permissible Loads

T3

Size	Max. applied load [N] Fz	Max. moments [Nm]		Mz
		Mx	My	
OSP-E25ST	500	2	24	7
OSP-E32ST	1000	6	65	12
OSP-E50ST	1500	13	155	26

Equation of Combined Loads

$$\frac{F_z}{F_z \text{ (max)}} + \frac{M_x}{M_x \text{ (max)}} + \frac{M_y}{M_y \text{ (max)}} + \frac{M_z}{M_z \text{ (max)}} \leq 1$$

The total of the loads must not exceed >1 under any circumstances.

Maximum Permissible Unsupported Length

Stroke length

The stroke lengths of the actuators are available in multiples of 1 mm up to the following maximum stroke lengths.

OSP-E25ST: max. 1100 mm

OSP-E32ST: max. 2000 mm

OSP-E50ST: max. 2500 mm *

Other stroke lengths are available on request.

* For strokes longer than 2000 mm in horizontal applications, please contact our customer support

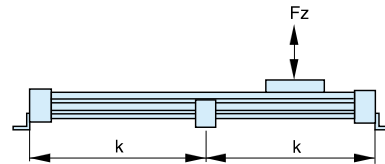
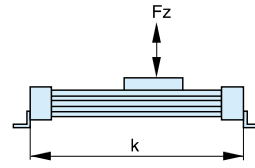
The end of stroke must not be used as a mechanical stop.

Allow an additional safety clearance of minimum 25 mm at both ends.

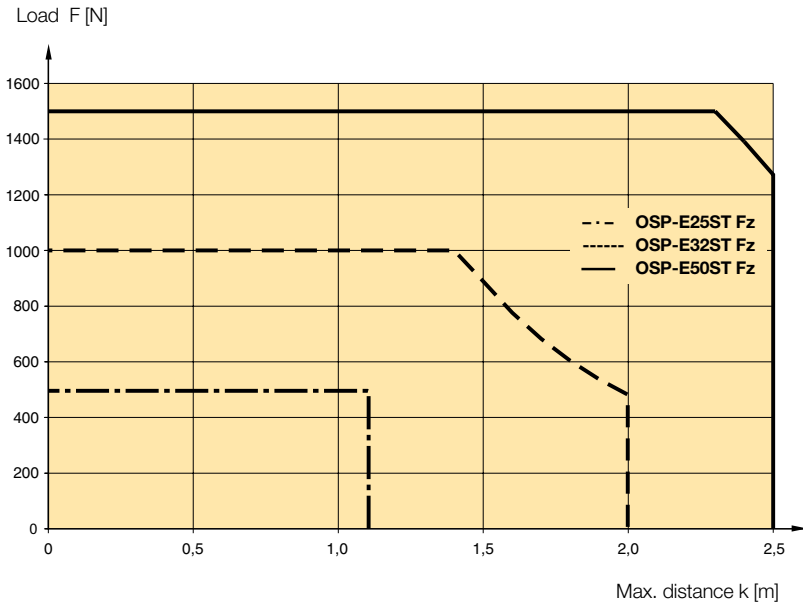
The use of an AC motor with frequency converter normally requires a larger safety clearance than that required for servo systems.

For advise, please contact your local Parker Origa technical support department.

Maximum Permissible Unsupported Length – Placing of Profile Mounting



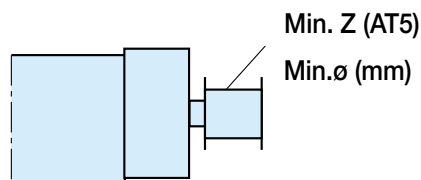
k = Maximum permissible distance between mountings/mid-section support for a given load F.



(Up to the curve in the above graph the deflection will be max. 0.2 % of distance k.)

Mounting on the Drive Shaft

Do not expose the drive shaft to uncontrolled axial or radial forces when mounting coupling or pulley, a steadying block should be used.



Pulleys

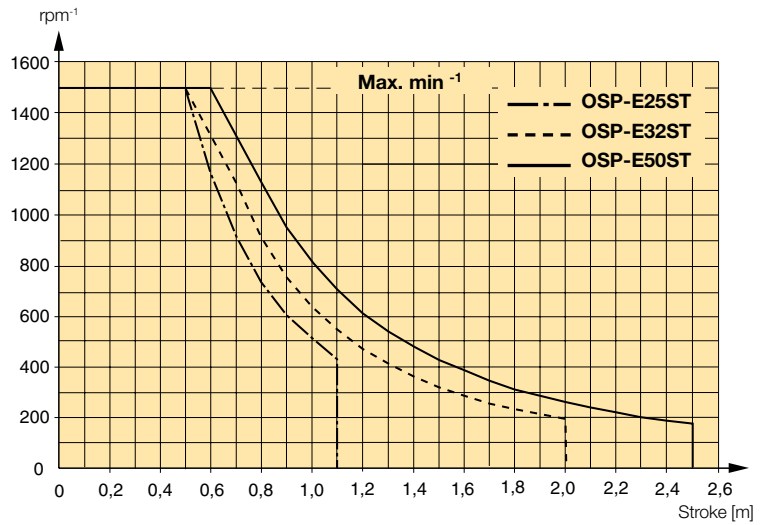
Minimum allowable number of teeth (AT5) and diameter of pulley at maximum applied torque.

Size	Min. Z	Min. ø
OSP-E25ST	24	38
OSP-E32ST	24	38
OSP-E50ST	36	57

Maximum rpm / Stroke

At longer strokes the speed has to be reduced according to the adjacent graphs.

Maximum rpm / Stroke



The maximum rpm shown in the graph, is 80% of the critical rpm.

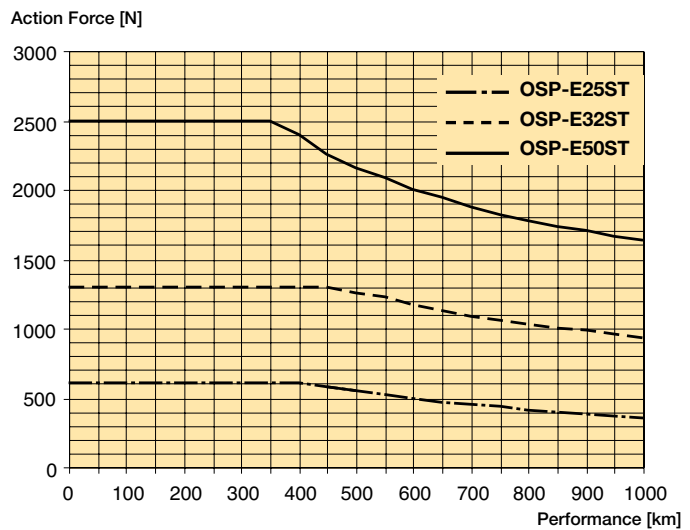
Performance / Action Force

The actuators are designed for a 10% intermittent usage.

The performance to be expected depends on the maximum required actions force of the application.

An increase of the action force will lead to a reduced performance.

Performance as a function of the action force



Note: Graph above is based upon 10% intermittent usage

Ball screw actuator with internal plain bearing guide and piston rod for accurate piston rod applications

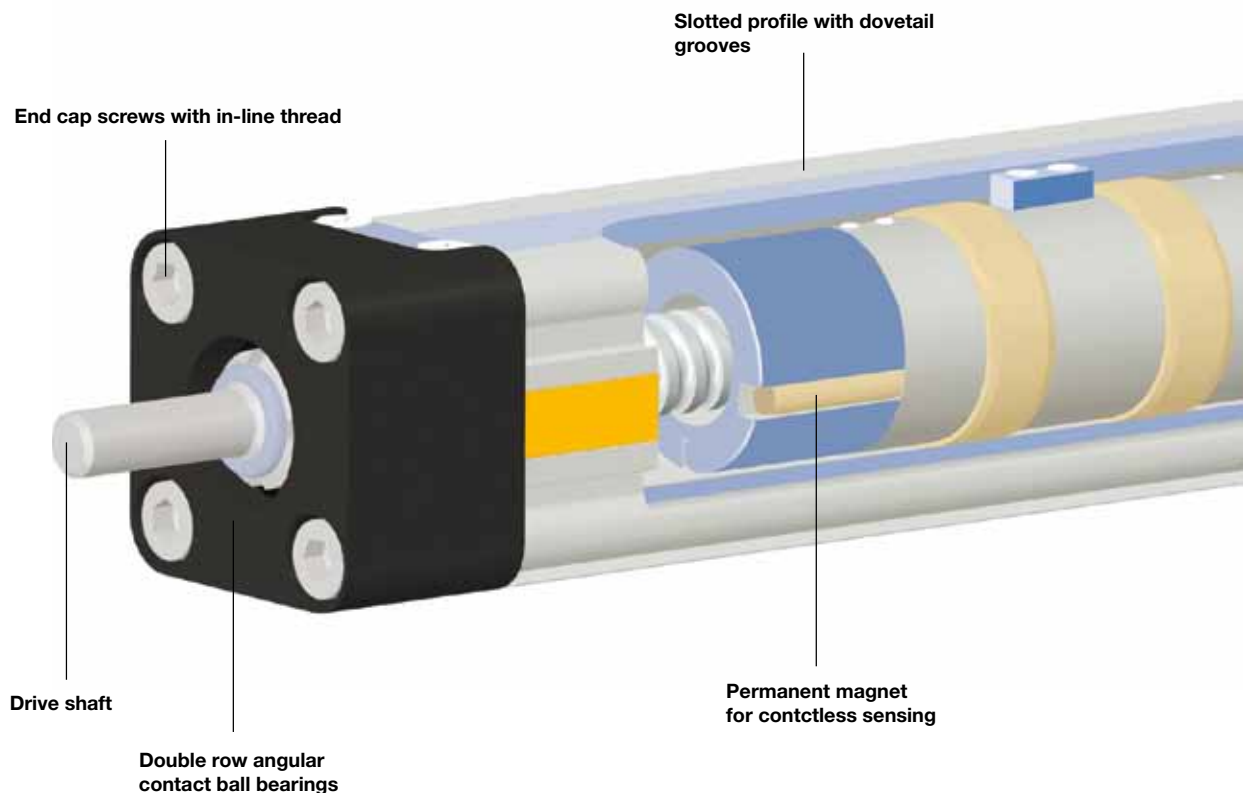
A completely new generation of actuators which can be integrated into any machine layout neatly and simply.

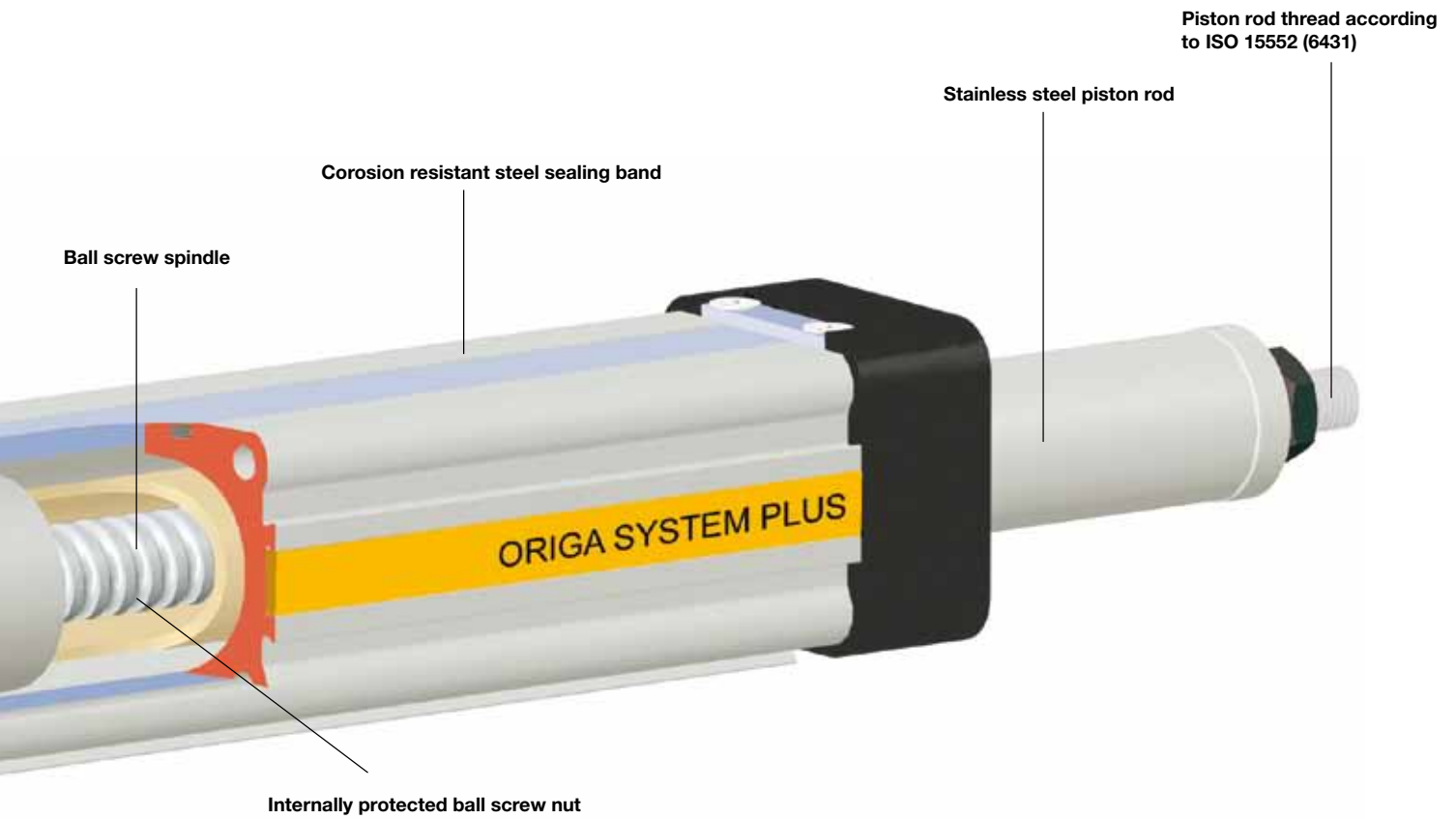
Advantages

- High output force
- Excellent running characteristics
- Accurate path and position control
- High levels of repeatability

Features

- Extending drive rod
- Ball screw spindle
- Non-rotating drive rod
- Continuous duty operation
- Large range of accessories





Take the easy route and load all the dimensions into your system. The file is suitable for all current CAD systems – available on CD-Rom or at www.parker-origa.com



Options and Accessories

OSP-E..SBR

Ball screw actuator with internal plain bearing guide and piston rod

STANDARD VERSIONS OSP-E..SBR

Standard piston rod with internal guidance and integrated magnet set for contactless position sensing. Dovetail profile for mounting of accessories and the actuator itself.



END CAP MOUNTING
For end-mounting the actuator on the extending rod side.



COMPENSATION
Piston Rod eye



Piston rod Clevis



BALL SCREW PITCH

The ball screws spindles are available in various pitches:
OSP-E25SBR: 5 mm
OSP-E32SBR: 5, 10 mm
OSP-E50SBR: 5, 10, 25 mm

Flange Mounting C
For end-mounting the actuator on the extending rod side.



Piston Rod compensating coupling
For compensating of radial and angular misalignments



ACCESSORIES

MOTOR MOUNTINGS



PROFILE MOUNTING
For mounting the actuator on the dovetail grooves and on the motor end.



MAGNETIC SWITCHES
SERIES RST AND EST
For contactless position sensing of end stop and intermediate carrier positions.



Trunning mounting EN in combination with pivot mounting EL.
– steplessly adjustable in axial direction.



Ball Screw Actuator with Internal Plain Bearing Guide and Piston Rod
Size 22, 32, 50
 Type: OSP-E..SBR



Standard Versions:

- Standard piston rod with internal plain bearing guide
- Pitches of Ball Screw Spindle:
 Type OSP-E25SBR: 5 mm
 Type OSP-E32SBR: 5, 10 mm
 Type OSP-E50SBR: 5, 10, 25 mm

Options:

- Keyway version

Installation Instructions

Use the threaded holes in the free end cap and a profile mounting close to the motor end for mounting the actuator.

The piston rod is locked against rotations, but must not be used for radial loads M_x , that need to be guided externally. A compensation part e. g. piston rod eye is recommended.

Characteristics	Description
Series	OSP-E..SBR
Mounting	See drawings
Ambient temperature range	-20 °C to +80 °C
Installation	In any position
Encapsulation class	IP 54
Material	
Slotted Profile	Extruded anodized aluminium
Ball screw	Steel
Ball nut	Steel
Piston rod	Stainless steel
Guide bearings	Low friction plastic
Sealing band	Hardened corrosion resistant steel
Screws, nuts	Zinc plated steel
Mountings	Zinc plated steel and aluminium

Weight (mass) and Inertia

Series	Total weight (Mass) [kg]		Moving mass [kg]		Inertia [$\times 10^{-6}$ kgm ²]	
	At stroke 0 m	Actuator head	At stroke 0 m	Add per metre stroke	At Stroke 0 m	Add per metre stroke
OSP-E25SBR	0.7	3.0	0.2	0.9	1.2	11.3
OSP-E32SBR	1.7	5.6	0.6	1.8	5.9	32.0
OSP-E50SBR	4.5	10.8	1.1	2.6	50.0	225.0

Maintenance

All moving parts are long-term lubricated for a normal operational environment. Parker Origa recommends a check and lubrication of the actuator, and if necessary a change of wear parts, after an operation time of 12 months or 3000 km travel of distance. Please refer to the operating instructions supplied with the actuator.

First service start-up

The maximum values specified in the technical data sheet for the different products must not be exceeded. Before taking the actuator as a machine into service, the user must ensure the adherence to the EC Machine Directive 2006/42/EG.

Sizing Performance Overview

Maximum Loadings

Sizing of Actuator

The following steps are recommended for selection :

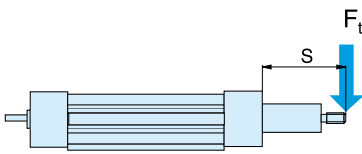
1. Check that the maximum values in the adjacent chart and transverse force/ stroke graph below are not exceeded.
2. Check the lifetime/travel distance in graph below.
3. When sizing and specifying the motor, the RMS-average torque must be calculated using the cycle time in application

Performance Overview

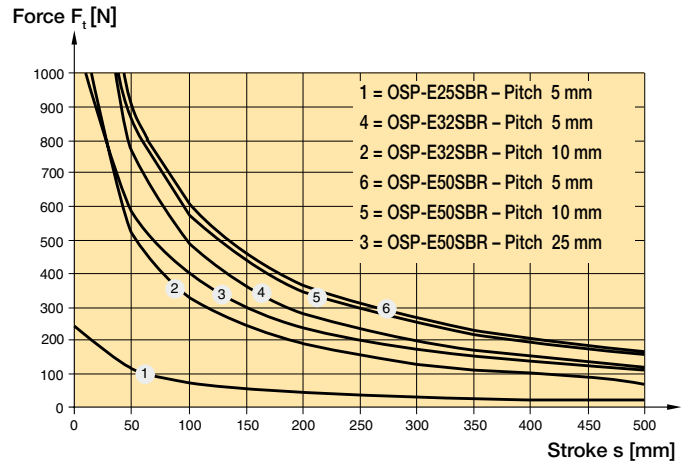
Characteristics	Unit	Description					
Series		OSP-E25SBR		OSP-E32SBR		OSP-E50SBR	
Pitch	[mm]	5	5	10	5	10	25
Max. speed	[m/s]	0.25	0.25	0.5	0.25	0.5	1.25
Linear motion per revolution drive shaft	[mm]	5	5	10	5	10	25
Max. rpm drive shaft	[min ⁻¹]		3000	3000	3000		
Max. effective action force F_A	[N]	260	900		1200		
Corresponding torque drive shaft	[Nm]	0.45	1.1	1.8	1.3	2.8	6.0
No-load torque	[Nm]	0.2	0.2	0.3	0.3	0.4	0.5
Max. allowable torque on drive shaft	[Nm]	0.6	1.5	2.8	4.2	7.5	20
Max. allowable acceleration	[m/s ²]	5	5		5		
Typical repeatability	[mm/m]	±0.05		±0.05		±0.05	
Max. Standard stroke length	[mm]	500	500	500			

Transverse Force / Stroke

The permissible transverse force is reduced with increasing stroke length, according to the adjacent graphs.



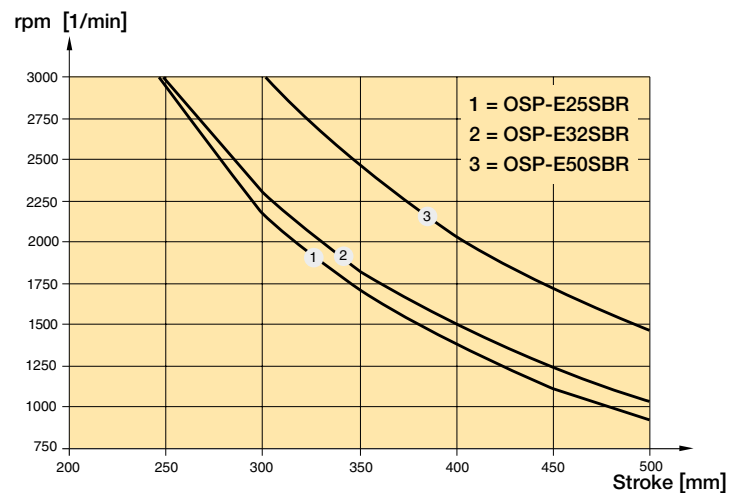
Transverse Force / Stroke



Maximum rpm / Stroke

At longer strokes the speed has to be reduced according to the adjacent graphs.

Maximum rpm / Stroke

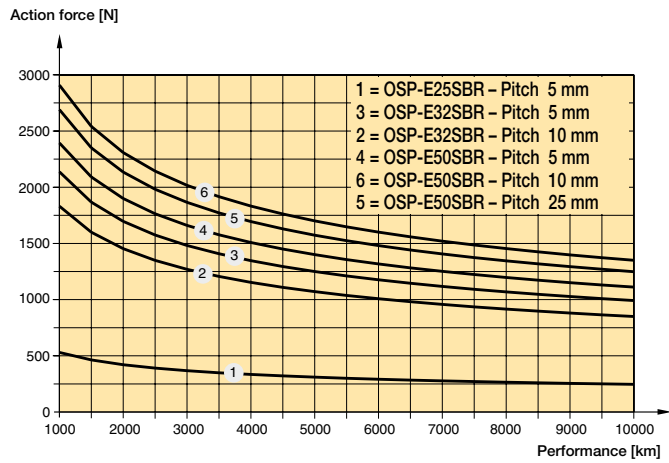


Performance / Action Force

The performance to be expected depends on the maximum required actions force of the application.

An increase of the action force will lead to a reduced performance.

Performance as a function of the action force



Trapezoidal screw actuator with internal plain bearing guide and piston rod for intermittent applications

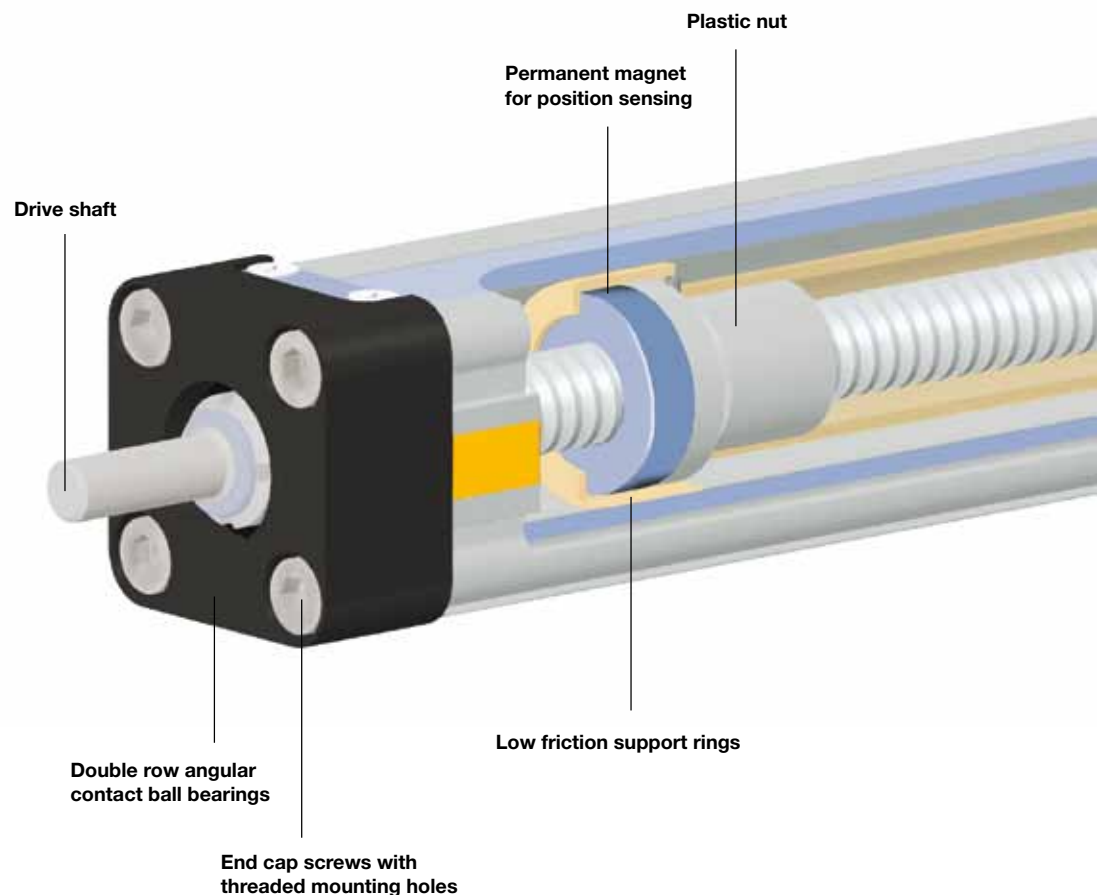
A completely new generation of actuators which can be integrated into any machine layout neatly and simply.

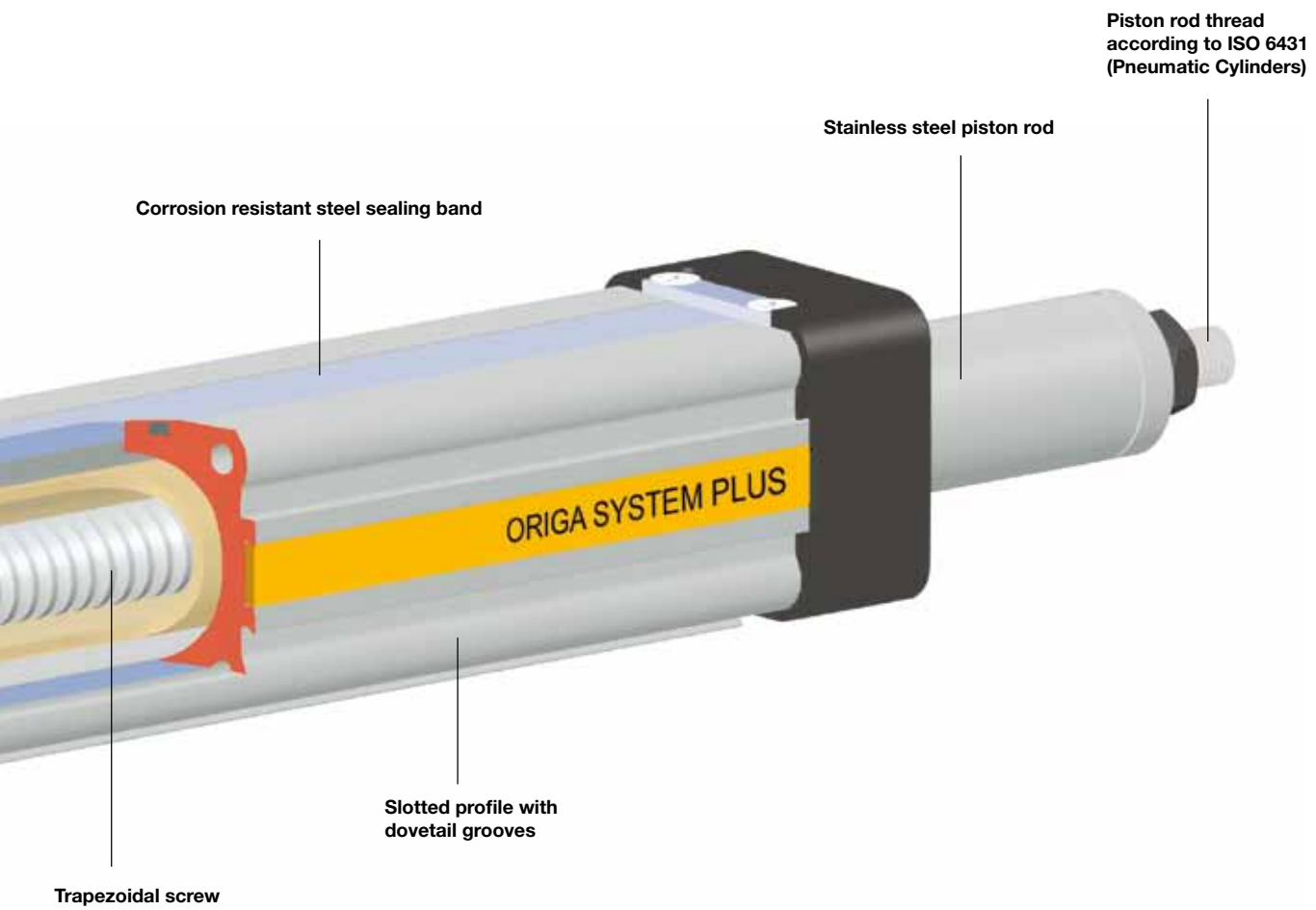
Advantages

- Accurate path and position control
- High force output
- Self-locking
- Excellent slow speed characteristics
- Easy installation
- Low maintenance
- Ideal for level regulation, lifting and other applications with intermittent operations

Features

- Piston rod-end dimensions conforming to ISO pneumatic standards
- Complete motor and control packages
- Diverse range of accessories and mountings
- Special options available





Take the easy route and load all the dimensions into your system. The file is suitable for all current CAD systems – available on CD-Rom or at www.parker-origa.com



Options and Accessories

OSP-E..STR

Trapezoidal screw actuator with internal plain bearing guide and piston rod

STANDARD VERSIONS OSP-E..STR

Standard piston rod with internal guidance and integrated magnet set for contactless position sensing. Dovetail profile for mounting of accessories and the actuator itself.



ACCESSORIES

MOTOR MOUNTINGS



END CAP MOUNTING
For end-mounting the actuator on the extending rod side.



FLANGE MOUNTING C
For end-mounting the actuator on the extending rod side.



PROFILE MOUNTING
For mounting the actuator on the dovetail grooves and on the motor end.



TRUNNING MOUNTING EN in combination with pivot mounting **EL**.
– steplessly adjustable in axial direction.

COMPENSATION PISTON ROD EYE



PISTON ROD CLEVIS



PISTON ROD COMPENSATING COUPLING
For compensating of radial and angular misalignments



MAGNETIC SWITCHES SERIES RST AND EST
For contactless position sensing of end stop and intermediate carrier positions.



Trapezoidal Screw Actuator with Internal Plain Bearing Guide and Piston rod

Size 25, 32, 50

Type: OSP-E..STR



Standard Versions:

- Dovetail profile for mounting of accessories and the actuator itself
- Pitch of Trapezoidal Spindle:
Type OSP-E25STR: 3 mm
Type OSP-E32STR: 4 mm
Type OSP-E50STR: 5 mm

Contactless position sensing

Please use the magnetic switch mentioned below:

- KL3096** (Type RS-K, normally closed, Reed-contact, with cable)
- KL3098** (Type ES-S, Magnetic electronic, PNP-switch with DIN-plug)

Installation Instructions

Use the threaded holes in the free end cap and a profile mounting close to the motor end for mounting the actuator.

The piston rod is not locked against rotation and needs to be guided externally. A compensation part e. g. piston rod eye is recommended.

Characteristics	Description
Series	OSP-E..STR
Mounting	See drawings
Ambient temperature range	-20 °C to +70 °C
Installation	In any position
Encapsulation class	IP 54
Material	
Slotted Profile	Extruded anodized aluminium
Trapezoidal screw	Cold rolled steel
Drive nut	Thermoplastic polyester
Piston rod	Stainless steel
Guide bearings	Low friction plastic
Sealing band	Hardened corrosion resistant steel
Screws, nuts	Zinc plated steel
Mountings	Zinc plated steel and aluminium

Weight (mass) and Inertia

Series	Total weight (Mass) [kg]		Moving mass [kg]		Inertia [$\times 10^{-6}$ kgm ²]	
	At stroke 0 m	Actuator head	At stroke 0 m	Add per metre stroke	At Stroke 0 m	Add per metre stroke
OSP-E25STR	0.4	2.9	0.1	0.7	1.1	10.3
OSP-E32STR	0.9	5.4	0.2	1.2	3.9	29.6
OSP-E50STR	2.4	10.6	0.8	1.6	24.6	150

Maintenance

All moving parts are long-term lubricated for a normal operational environment. Parker Origa recommends a check and lubrication of the actuator, and if necessary a change of wear parts, after an operation time of 12 months or 3000 km travel of distance. Please refer to the operating instructions supplied with the actuator.

First service start-up

The maximum values specified in the technical data sheet for the different products must not be exceeded. Before taking the actuator as a machine into service, the user must ensure the adherence to the EC Machine Directive 2006/42/EG.

Sizing Performance Overview

Maximum Loadings

Sizing of Actuator

The following steps are recommended for selection :

1. Check that the maximum values in the adjacent chart and transverse force/ stroke graph below are not exceeded.
2. Check the lifetime/travel distance in graph below.
3. When sizing and specifying the motor, the RMS-average torque must be calculated using the cycle time in application

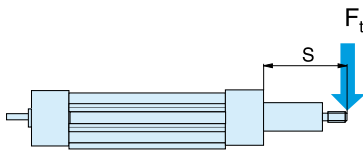
Performance Overview

Characteristics	Unit	Description		
Size		OSP-E25STR	OSP-E32STR	OSP-E50STR
Pitch	[mm]	3	4	5
Max. speed	[m/s]	0.075	0.1	0.125
Linear motion per revolution, drive shaft	[mm]	3	4	5
Max. rpm, drive shaft	[min ⁻¹]	1500 ²⁾	1500	1500
Max. effective action force F_A	[N]	800	1600	3300
Corresponding torque on drive shaft	[Nm]	1.35	3.4	9.25
No-load torque	[Nm]	0.3	0.4	0.5
Max. allowable torque on drive shaft	[Nm]	1.7	4.4	12
Self-locking force F_L ¹⁾	[N]	800	1600	3300
Typical repeatability	[mm/m]	±0,5	±0,5	±0,5
Max. Standard stroke length	[mm]	500	500	500

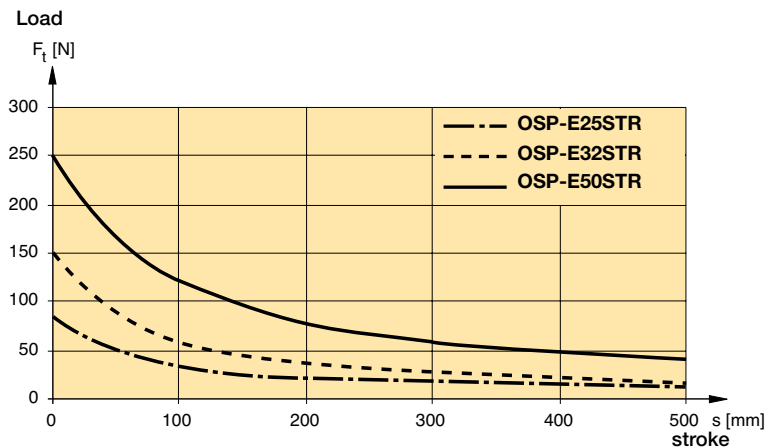
¹⁾ Related to screw types Tr 12x3, Tr 16x4, Tr 24x5

²⁾ from 0,4 m stroke max. 1200 min⁻¹ permissible

Transverse Force / Stroke



Transverse Force / Stroke



The graph is based upon 10% intermittent usage

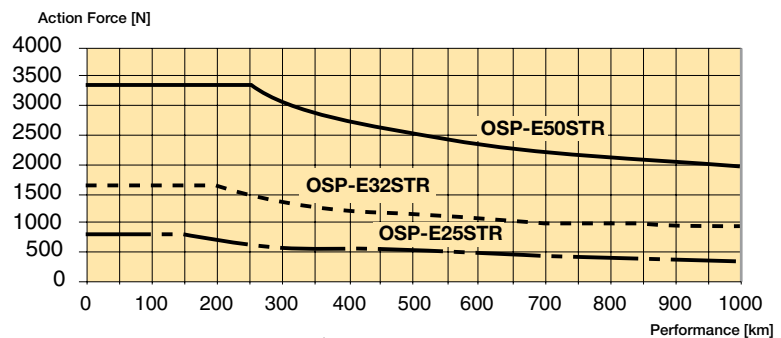
Performance / Action Force

The Actuators are designed for a 10% intermittent usage.

The performance to be expected depends on the maximum required actions force of the application.

An increase of the action force will lead to a reduced performance.

Performance as a function of the action force



The graph is based upon 10% intermittent usage



ORIGA HMR

High Moment Rodless Electric Linear Actuator - Three Drive Technologies: Screw, Toothed Belt, Linear Motor



Linear Drive

Driving the future

The HMR linear drive system can be equipped with a “basic” or “reinforced” profile as standard. The “basic” profile is suitable for fitting directly to a machine base that has a corresponding support surface. The “reinforced” profile, on the other hand, is the preferred choice for self-supporting systems or for use in conjunction with a base surface offering limited support.

- Three alternative drive technologies in one profile
- Unique flexibility and reliability
- High speed and precision
- Two profile versions, four profile sizes
- Optional IP54 snap-in covers



ORIGA HMR Electromechanical Linear Actuators



Profile designs

- Basic profile for assembling directly to the machine base
- Reinforced profile for self-supporting assembly



Mounting systems

- Integrated T-slots for attaching from below and from the side



Protection classes

- Without cover: IP20
- With cover: IP54



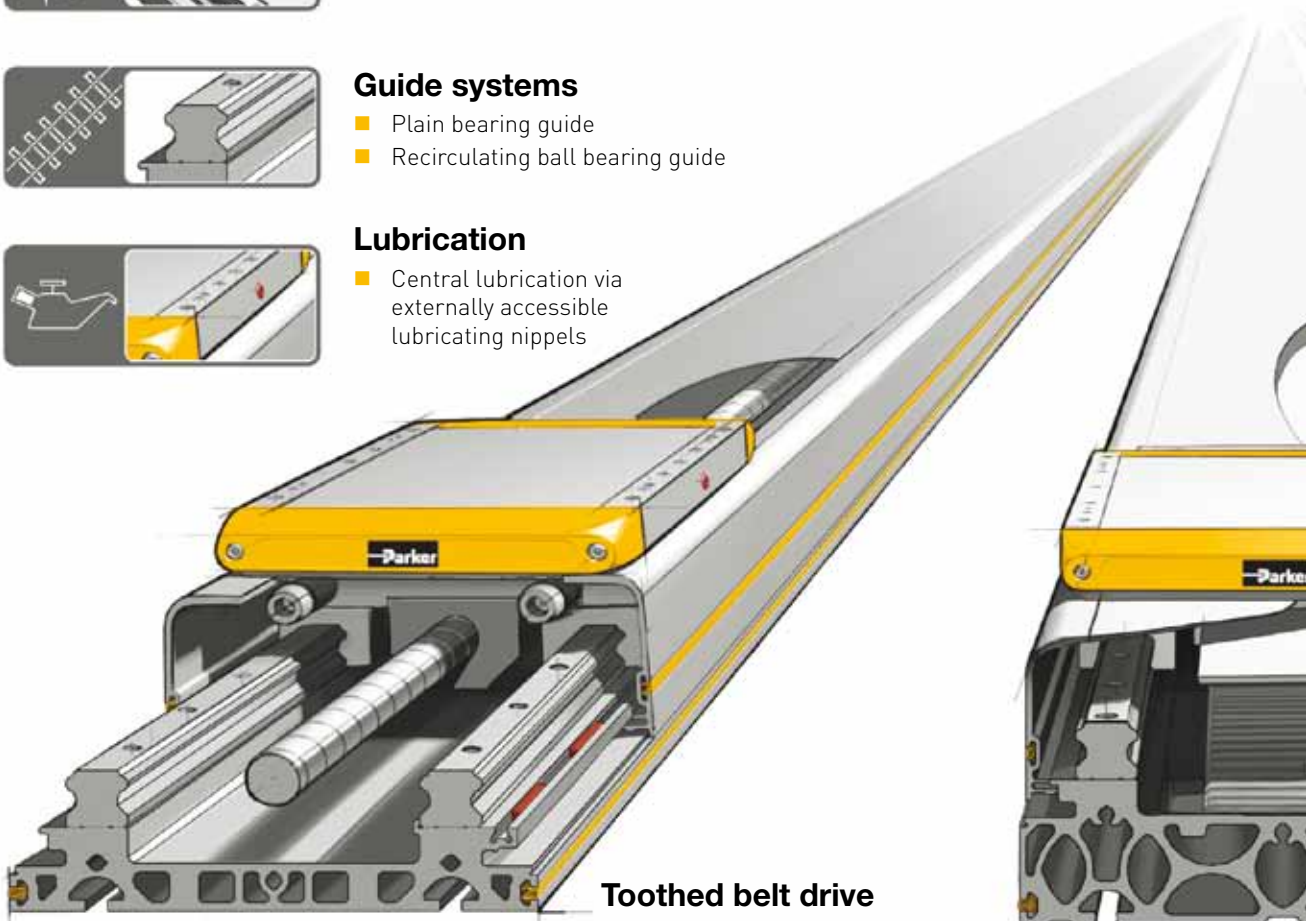
Guide systems

- Plain bearing guide
- Recirculating ball bearing guide



Lubrication

- Central lubrication via externally accessible lubricating nipples



Toothed belt drive

The solution for fast path and position control for medium loads



Screw drive

The solution for precise path and position control for heavy loads



We drive the future - with screw, toothed belt or linear motor.

Position sensing

- Integrated, adjustable position switch for end positions and homing



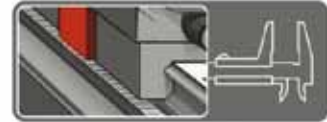
Impact protection

- Integrated shock absorbers for both end positions



Distance measurement

- Contact-free, incremental displacement measuring system



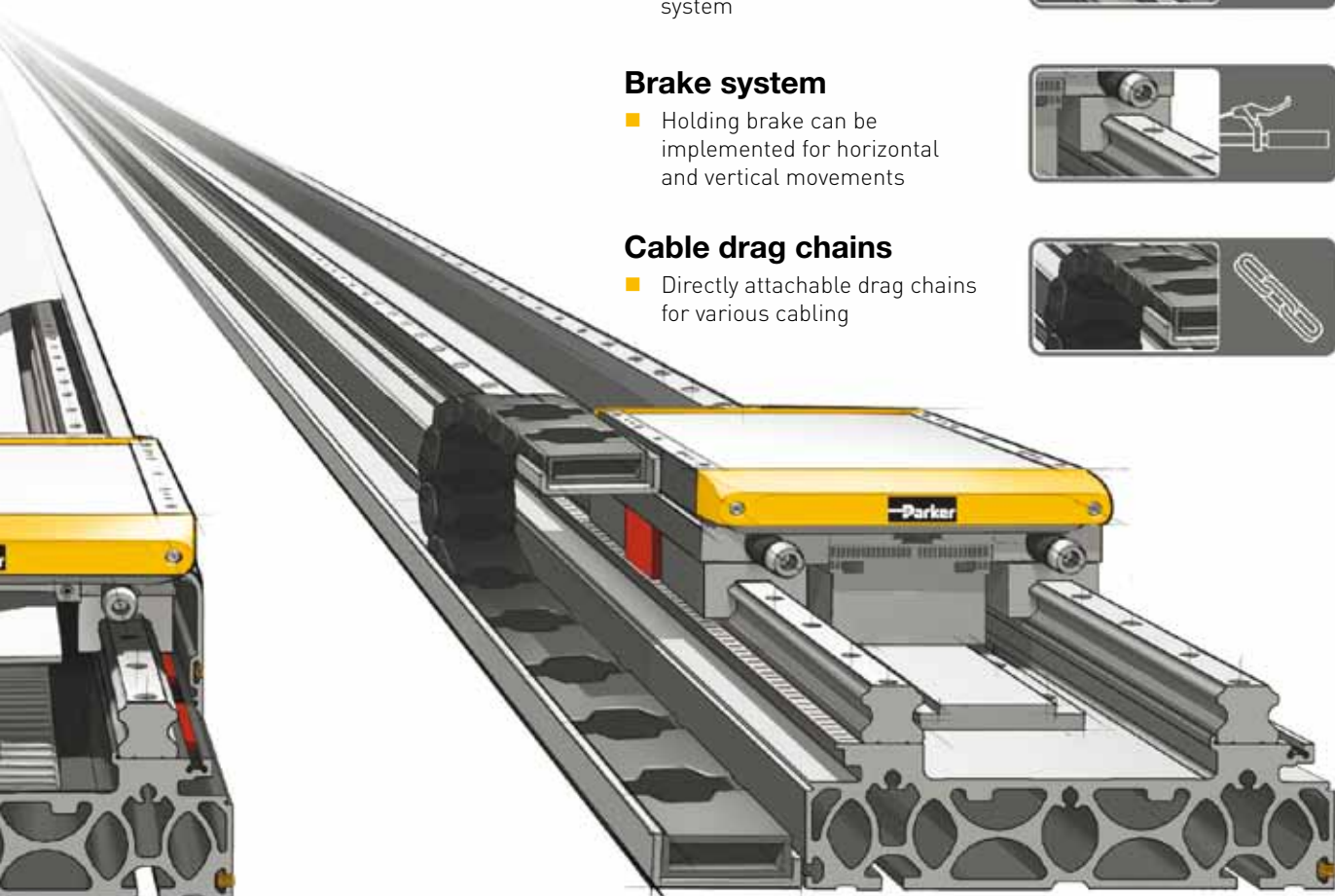
Brake system

- Holding brake can be implemented for horizontal and vertical movements



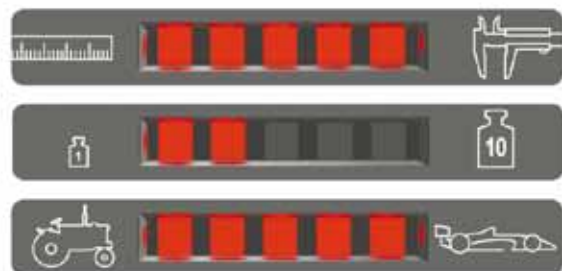
Cable drag chains

- Directly attachable drag chains for various cabling



Linear drive

The solution for fast travel with the greatest possible dynamics and precision



Origa Linear Drives

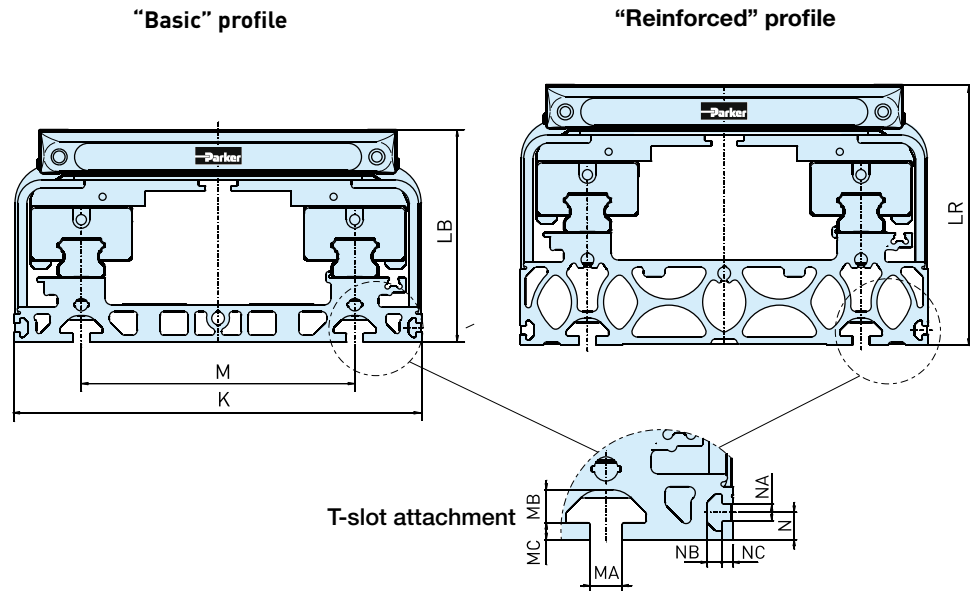
Size 150, 180, 240 mm

HMR Series

Profile versions

Designs:

- Basic
- Reinforced



The HMR linear drive system can be equipped with a "basic" or "reinforced" profile as standard.

The "basic" profile is suitable for fitting directly to a machine base that has a corresponding support surface.

The "reinforced" profile, on the other hand, is the preferred choice for self-supporting systems or for use in conjunction with a base surface offering limited support.

Dimension table - Profile versions

Size	K	LB	LR	M	MA	MB	MC	N	NA	NB	NC
HMRx150	150.0	90.0	114.0	96.0	6.2	6.8	3.0	6.5	5.2	4.6	3.5
HMRx180	180.0	111.5	134.5	116.0	8.0	7.8	4.5	8.5	5.2	4.5	3.5
HMRx240	240.0	125.0	153.0	161.0	10.0	10.2	5.3	8.5	5.2	4.5	3.5

Dimensions in mm

Origa Linear Drives

Size 150, 180, 240 mm

HMR Series

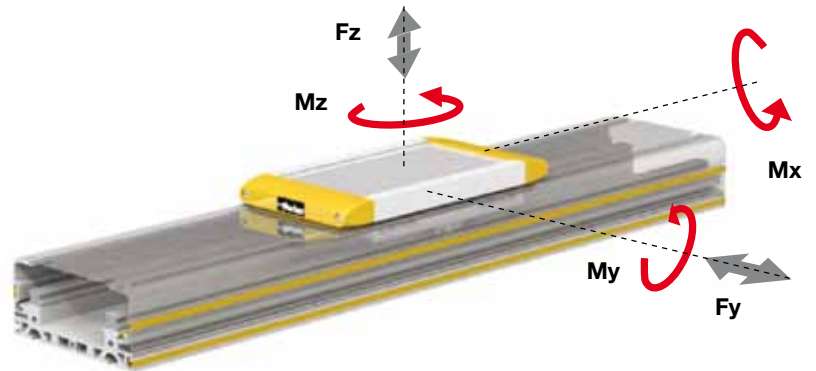
Ball Bearing Guide

Load requirements for guides and installation size.

The occurring loads, forces and bending moments depend on the application. The mass of the construction attached to the carriage has a center of gravity. This mass creates static forces ($F = m \cdot g$) and bending moments ($M = m \cdot g \cdot l$).

Additional dynamic moments ($M = m \cdot a \cdot l$) arise in dependence of the acceleration during travel. Care should be taken when selecting suitable guides that the permissible sum of loads does not exceed 1.

Loads, Forces and Moments



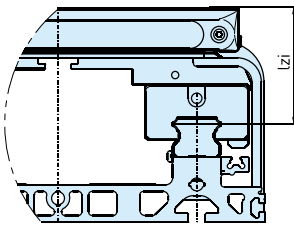
Combined loads

The maximum permissible load for linear drives subject to simultaneous multiple loads, forces and bending moments are calculated using the formula below. Maximum permissible loads must not be exceeded.

$$L = \frac{F_y}{F_{y(max)}} + \frac{F_z}{F_{z(max)}} + \frac{M_x}{M_{x(max)}} + \frac{M_y}{M_{y(max)}} + \frac{M_z}{M_{z(max)}} \leq 1$$

The sum of all loads must under no circumstance be > 1.

Internal lever arm l_{zi}



Dimension table - l_{zi}

Product size	l_{zi}
HMR-150	[mm] 50.0
HMR-180	[mm] 57.5
HMR-240	[mm] 68.0

Maximum permissible load based on a service life of 8000 km

Product size	HMRx15	HMRx18	HMRx24	HMRx15	HMRx18	HMRx24	
Carriage	Standard			Tandem			
Max. permissible force							
F_{Z8000}	[N]	6,000	11,000	18,200	9,000	16,500	27,300
F_{Y8000}	[N]	6,000	11,000	18,200	9,000	16,500	27,300
Max. bending moment							
M_{X8000}	[Nm]	290	640	1,460	435	960	2,190
M_{Y8000}	[Nm]	380	840	1,660	570	1,260	2,490
M_{Z8000}	[Nm]	380	840	1,660	570	1,260	2,490

Maximum permissible load based on a service life of 2540 km

Product size	HMRx15	HMRx18	HMRx24	HMRx15	HMRx18	HMRx24	
Carriage	Standard			Tandem			
Max. permissible force							
F_{Z2540}	[N]	8,800	16,200	26,600	13,200	24,300	39,900
F_{Y2540}	[N]	8,800	16,200	26,600	13,200	24,300	39,900
Max. bending moment							
M_{X2540}	[Nm]	430	940	2,150	645	1,410	3,225
M_{Y2540}	[Nm]	560	1,230	2,430	840	1,845	3,645
M_{Z2540}	[Nm]	560	1,230	2,430	840	1,845	3,645

Ball Screw

Size 150, 180, 240 mm

HMRS Series



Technical Data HMRS

Product size				HMRS15		HMRS18		HMRS24	
Type of screw				20x5	20x20	25x10	25x25	32x10	32x32
Pitch	p	[mm]		5	20	10	25	10	32
Max. speed	v_{max}	[m/s]		0.25	1.00	0.50	1.25	0.50	1.60
Max. acceleration	a_{max}	[m/s ²]		10		10		10	
Max. order stroke		[mm]		2500		3400		4000	

Thrust force and torque

Max. thrust force	$F_{a_{max}}$	[N]	2600	2600	4800	4800	5500	5500
	F_{A2540}	[N]	1800	2160	3300	3960	3500	4880
Max. torque at drive shaft	M_{amax}	[Nm]	2.2	9.0	8.3	20.8	9.5	30.4
	M_{A2540}	[Nm]	1.6	7.5	5.7	17.1	6.1	27.0
No load torque	M_0	[Nm]	0.7	0.9	0.9	1.0	1.0	1.1

Stroke dependent speed

Max. permissible speed at order stroke	200mm	250	1000	500	1250	500	1600
	400mm	250	1000	500	1250	500	1600
	600mm	250	1000	500	1250	500	1600
	800mm	169	678	382	956	423	1354
	1000mm	122	486	277	694	312	997
	1200mm	91	366	211	526	239	765
	1400mm	71	285	165	413	189	605
	1600mm	57	228	133	333	153	491
	1800mm	47	187	109	274	127	406
	2000mm	39	156	92	229	107	342
	2200mm	33	132	78	195	91	291
	2400mm	28	113	67	167	79	251
	2600mm	-	-	58	145	68	219
	2800mm	-	-	51	128	60	193
	3000mm	-	-	45	113	53	171
	3200mm	-	-	40	100	48	152
	3400mm	-	-	-	-	43	137
	3600mm	-	-	-	-	39	123
	3800mm	-	-	-	-	35	112
4000mm	-	-	-	-	32	102	

Ball Screw

Size 150, 180, 240 mm

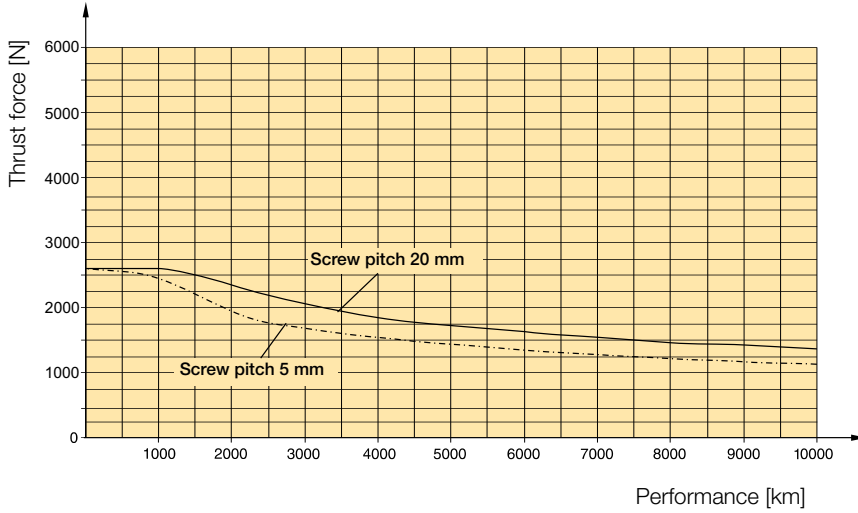
HMRS Series

Performance expectancy depends on the application's required force.

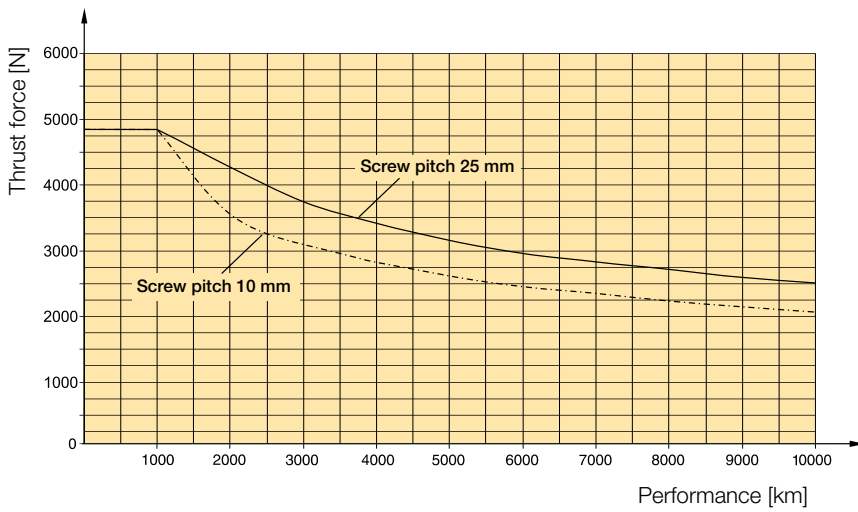
An increase in force will reduce performance

Performance / thrust force

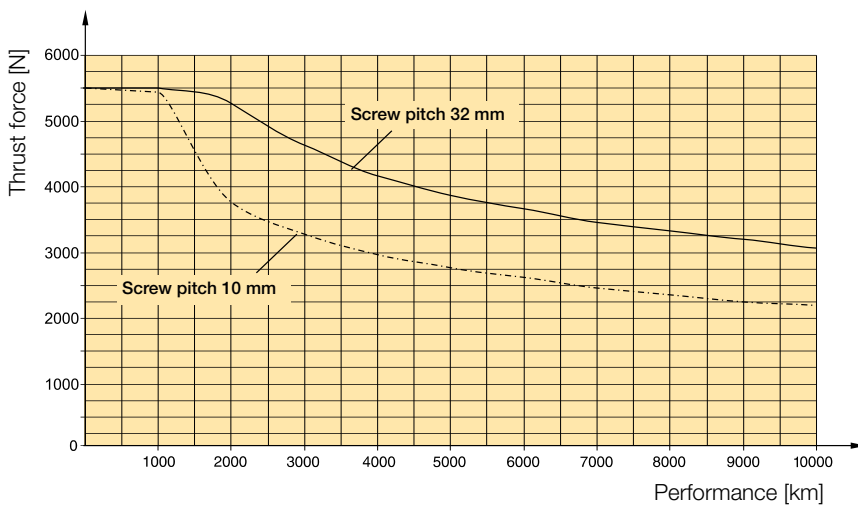
HMR-150 Performance / thrust force



HMR-180 Performance / thrust force



HMR-240 Performance / thrust force

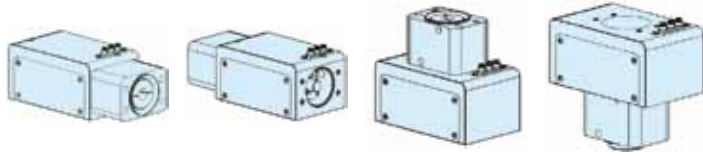


Belt Drive

Size 150, 180, 240 mm

HMRB Series

Description Motor mounting position



horizontal	upright
090° / 270°	000° / 180°
BD, DD	AP, CP, AD, CD

Type and orientation of the belt is given by the motor mounting position.

Technical Data HMRB

Production size

HMRB15

Motor mounting position			090°/270°	000°/180°
Lead constant	$s_{lin.}$	[mm]	100	125
Max. speed	$v_{max.}$	[m/s]	5	
Max. acceleration	$a_{max.}$	[m/s ²]	50	
Repeatability		[μm]	±50	
Max. order stroke		[mm]	6000	

Thrust force and torque

Max. thrust force	$F_{Amax.}$	[N]	1050	630
Max. torque on drive shaft	$M_{Amax.}$	[Nm]	17	13
No load torque	M_0	[Nm]	1.2	1.2

Production size

HMRB18

Motor mounting position			090°/270°	000°/180°
Lead constant	$s_{lin.}$	[mm]	130	150
Max. speed	$v_{max.}$	[m/s]	5	
Max. acceleration	$a_{max.}$	[m/s ²]	50	
Repeatability		[μm]	±50	
Max. order stroke		[mm]	6000	

Thrust force and torque

Max. thrust force	$F_{Amax.}$	[N]	1300	1000
Max. torque on drive shaft	$M_{Amax.}$	[Nm]	27	24
No load torque	M_0	[Nm]	2.0	2.0

Production size

HMRB24

Motor mounting position			090°/270°	000°/180°
Lead constant	$s_{lin.}$	[mm]	160	224
Max. speed	$v_{max.}$	[m/s]	5	
Max. acceleration	$a_{max.}$	[m/s ²]	50	
Repeatability		[μm]	±50	
Max. order stroke		[mm]	6000	

Thrust force and torque

Max. thrust force	$F_{Amax.}$	[N]	4000	3750
Max. torque on drive shaft	$M_{Amax.}$	[Nm]	101	134
No load torque	M_0	[Nm]	4.0	4.0

Belt Drive

Size 150, 180, 240 mm

HMRB Series

The permissible thrust force from the table is depending on speed level and order stroke length.

The minimum thrust force value must not be exceeded in the application.

Information:

Limiting the torque from the motor may avoid exceeding permitted thrust force.

Valid Action Forces HMRB

Version motor mounting position				
Product size		HMRB15		
Motor mounting position			090°/270°	000°/180°
Thrust force F_A corresponding to speed v	$F_{v<1}$	[N]	1050	630
	$F_{v<2}$	[N]	990	630
	$F_{v<3}$	[N]	930	630
	$F_{v<4}$	[N]	890	630
	$F_{v<5}$	[N]	840	630
Thrust force F_A corresponding to order stroke length OS	$F_{A(OS<1000)}$	[N]	1050	630
	$F_{A(OS<2000)}$	[N]	820	490
	$F_{A(OS<3000)}$	[N]	570	340
	$F_{A(OS<4000)}$	[N]	445	265
	$F_{A(OS<5000)}$	[N]	365	215
$F_{A(OS<6000)}$	[N]	305	185	
Product size		HMRB18		
Motor mounting position			090°/270°	000°/180°
Thrust force F_A corresponding to speed v	$F_{v<1}$	[N]	1300	1000
	$F_{v<2}$	[N]	1300	1000
	$F_{v<3}$	[N]	1300	1000
	$F_{v<4}$	[N]	1300	1000
	$F_{v<5}$	[N]	1300	1000
Thrust force F_A corresponding to order stroke length OS	$F_{A(OS<1000)}$	[N]	1300	1000
	$F_{A(OS<2000)}$	[N]	1000	775
	$F_{A(OS<3000)}$	[N]	710	550
	$F_{A(OS<4000)}$	[N]	550	430
	$F_{A(OS<5000)}$	[N]	450	350
$F_{A(OS<6000)}$	[N]	380	295	
Product size		HMRB24		
Motor mounting position			090°/270°	000°/180°
Thrust force F_A corresponding to speed v	$F_{v<1}$	[N]	4000	3750
	$F_{v<2}$	[N]	4000	3380
	$F_{v<3}$	[N]	3650	3140
	$F_{v<4}$	[N]	3370	2950
	$F_{v<5}$	[N]	3200	2800
Thrust force F_A corresponding to order stroke length OS	$F_{A(OS<1000)}$	[N]	4000	3750
	$F_{A(OS<2000)}$	[N]	4000	3360
	$F_{A(OS<3000)}$	[N]	3370	2440
	$F_{A(OS<4000)}$	[N]	2860	1880
	$F_{A(OS<5000)}$	[N]	2350	1540
$F_{A(OS<6000)}$	[N]	2000	1300	

Example:

HMRB18 with motor mounting position 1 (090° front), speed $v = 2$ m/s ($F = 710$ N) and order stroke length OS ($F = 1.088$ N). The maximum permissible thrust force $F = 710$ N must not be exceeded.

Protection Class

HMR Series

Versions:

IP20 - without cover

IP54 - with cover

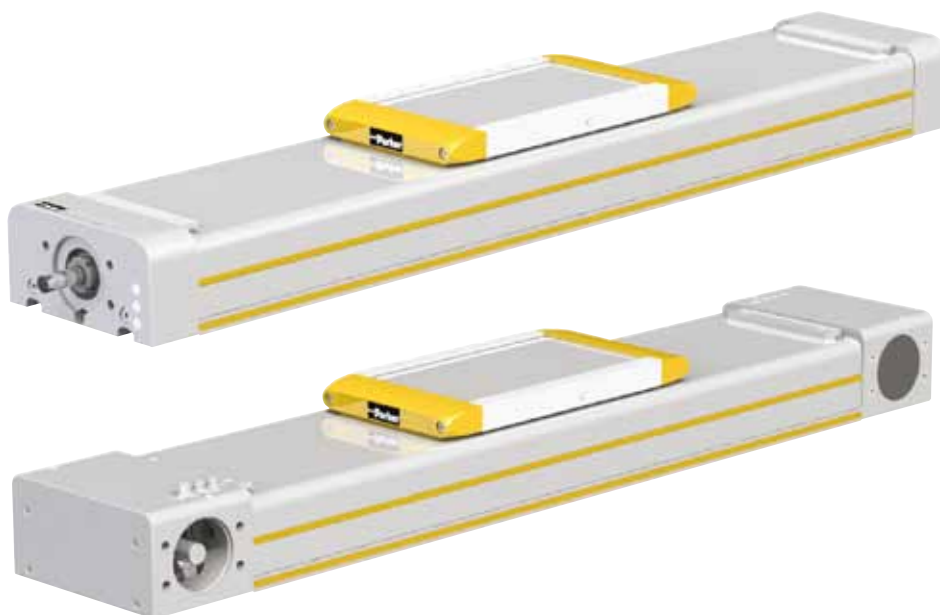
HMR got developed for various environment conditions. The basic design has an IP20 protection class.

HMR can be equipped with a cover to correspond to an IP54 protection class if a higher rating is required.

Version - Protected Class IP20



Version - Protected Class IP54



Impact Protection

HMR Series

HMR can be equipped with impact protection. The mounted structure shock absorbers can compensate the energy released by unintentional impact and afford protection against mechanical damage.

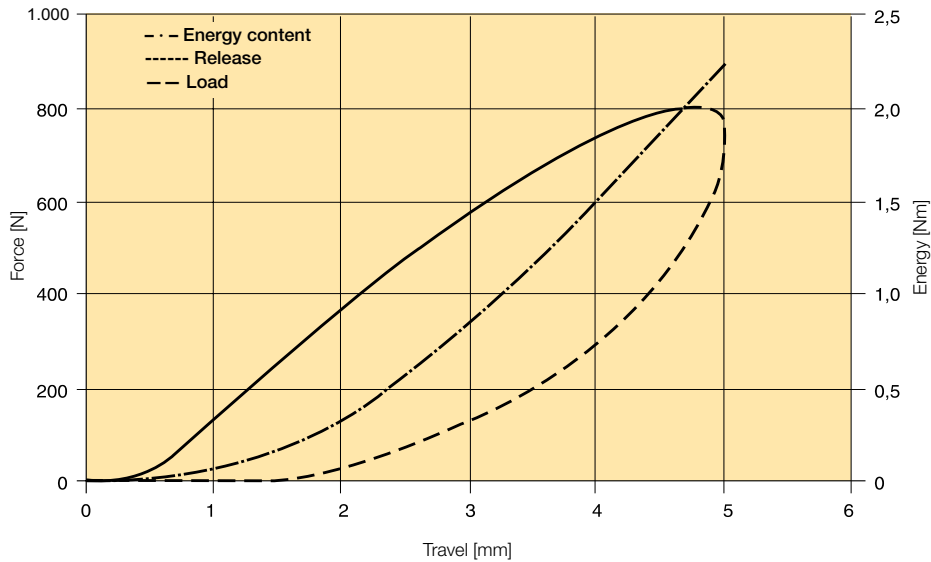
Two structure shock absorbers are fitted to each side of the carriage prior to delivery.



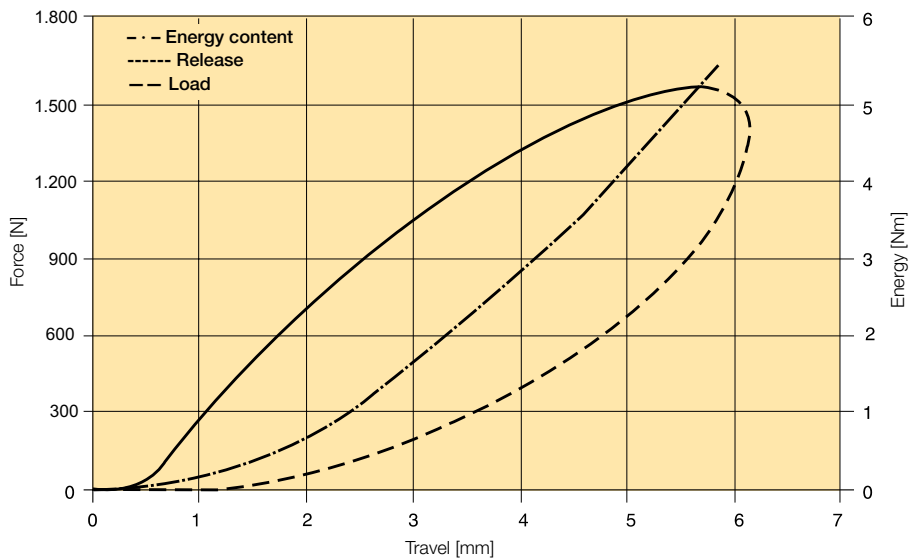
Shock absorbers for impact protection

Product size	HMRx15	HMRx18	HMRx24
Shock absorber	TA12-5	TA17-7	TA17-7
Energy absorption	3.0 Nm	8.5 Nm	8.5 Nm
Maximum stroke	5.0 mm	7.0 mm	7.0 mm

Distance-force and energy-distance characteristic curve (dynamic) – production size HMR-145



Distance-force and energy-distance characteristic curve (dynamic) – production size HMR-175, HMR-225



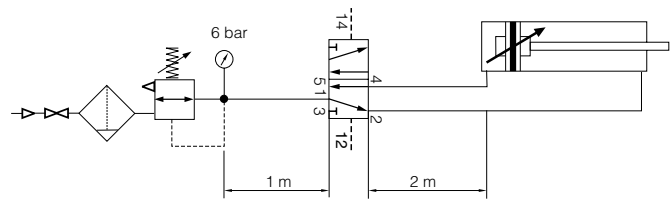


Valves

Choice of components for air supply to cylinders

In the chart below can you find the suitable valves, tubes etc. for each cylinder size. If you have a tube length over 2 m, choose one tube size larger than in the chart. The table is based on a maximum cylinder speed of 0,5m/s.

Following data is valid:
 Supply pressure: min 7,0 bar
 Regulator pressure setting: 6,0 bar
 Pipe length between air treatment unit and valve: max 1 m
 Pipe length between valve and cylinder : max 2 m
 The table is made for a cylinder speed max 0,5 m/s



Cylinder														
Cylinder diameter mm	Ø10	Ø12	Ø16	Ø20	Ø25	Ø32	Ø40	Ø50	Ø63	Ø80	Ø100	Ø125	Ø160	Ø200
Cylinder ISO connection	M5	M5	M5	G1/8	G1/8	G1/8	G1/4	G1/4	G3/8	G3/8	G1/2	G1/2	G3/4	G3/4
Tube														
Tube diameter mm Ext / Int	4 / 2.7	4 / 2.7	4 / 2.7	6 / 4	6 / 4	6 / 4	8 / 6	8 / 6 10 / 8	10 / 8	12 / 9 14 / 11	12 / 9	16 / 13	18 / 15	22 / 16
FRL units														
Global P31														
Global P32														
Global P33														
Valves														
4mm inst. fitting valve														
M5 valve														
6mm inst. fitting valve														
1/8 valve														
1/4 valve														
3/8 valve														
1/2 valve														

Possible
 Recommended
 Cylinder speed < 0,5 m/s
 Not recommended

Viking Lite

*rust and corrosion resistant,
high reliability with flexible installation*



Rust and corrosion resistant designs.

Viking Lite valves are made of anodized aluminium, for good corrosion resistance. The smooth design, with no dirt-collecting pockets, makes the valve suitable for most environments.

High reliability

Viking Lite valves easily comply with the requirements for the component reliability in accordance with EU Machinery Directive standards EN292-2 and EN983. The valves are designed for use with or without supplementary lubrication.

Compact installation dimensions - flexible installation

Compact dimensions direct body porting and integral mounting holes are all features of the Viking Lite range. In addition to single valve installation, the Viking Lite valves may be installed on manifolds so that the valves have a common supply and manifolded exhausts.

The Viking Lite valve range is robust, versatile and combines high performance with compact installation dimensions. Large flow capacity, short change-over times and low change-over pressure are important characteristics of this valve range.

Designed to operate with pressures up to 10 bar in temperatures -10°C to + 50°C.



- 3 sizes: G1/8, G1/4 and G3/8.
- Large flow capacity with short change-over times.
- Low change over pressure.
- Dynamic bi-directional spool seals.
- Do not require lubrication in operation but can also be installed in systems that are lubricated.

Operating information

	P2L-AZ	P2L-BZ	P2L-CZ
Port size:	G1/8	G1/4	G3/8
Working pressure:	10 bar	10 bar	10 bar
Working temperature	-10 °C to +50 °C		
Flow (Qmax);	15,6 l/s	37,8 l/s	68,3 l/s

For more information see www.parker.com/euro_pneumatic

Solenoid operated directional control valves

Internal supply to solenoid valve(s) via port 1.

3/2 valves, internal air, standard temperature

Symbol	Size	Actuation	Return	Min Operating Pressure (bar)	Changeover time (ms) at 6 bar @20°C actua./return	Weight Kg	Order code Without coil	Order code With 24V DC (22mm coil)
	G1/8	Electric signal	Electric signal	1,5	10/10	0,18	P2LAZ311EENDCN	P2LAZ311EENDCB49
	G1/4			1,5	12/12	0,18	P2LBZ312EENDCN	P2LBZ312EENDCB49
	G3/8			1,5	17/17	0,36	P2LCZ313EENDCN	P2LCZ313EENDCB49
	G1/8	Electric signal	Spring	3,0	15/35	0,16	P2LAZ311ESNDCN	P2LAZ311ESNDCB49
	G1/4			3,0	18/45	0,16	P2LBZ312ESNDCN	P2LBZ312ESNDCB49
	G3/8			3,0	27/75	0,35	P2LCZ313ESNDCN	P2LCZ313ESNDCB49

5/2 valves, internal air, standard temperature

Symbol	Size	Actuation	Return	Min Operating Pressure (bar)	Changeover time (ms) at 6 bar @20°C actua./return	Weight Kg	Order code Without coil	Order code With 24V DC (22mm coil)
	G1/8	Electric signal	Electric signal	1,5	10/10	0,19	P2LAZ511EENDCN	P2LAZ511EENDCB49
	G1/4			1,5	12/12	0,21	P2LBZ512EENDCN	P2LBZ512EENDCB49
	G3/8			1,5	17/17	0,44	P2LCZ513EENDCN	P2LCZ513EENDCB49
	G1/8	Electric signal	Spring	3,0	15/35	0,17	P2LAZ511ESNDCN	P2LAZ511ESNDCB49
	G1/4			3,0	18/45	0,20	P2LBZ512ESNDCN	P2LBZ512ESNDCB49
	G3/8			3,0	27/75	0,43	P2LCZ513ESNDCN	P2LCZ513ESNDCB49

5/3 valves, internal air, standard temperature

Symbol	Size	Actuation	Min Operating Pressure (bar)	Changeover time (ms) at 6 bar @20°C actua./return	Weight Kg	Order code Without coil	Order code With 24V DC (22mm coil)
	G1/8	Self centring	3,0	18/40	0,26	P2LAZ611EENDCN	P2LAZ611EENDCB49
	G1/4	Electric/Electric Closed	3,0	22/55	0,28	P2LBZ612EENDCN	P2LBZ612EENDCB49
	G3/8	Centre	3,0	30/90	0,60	P2LCZ613EENDCN	P2LCZ613EENDCB49
	G1/8	Self centring	3,0	18/40	0,26	P2LAZ711EENDCN	P2LAZ711EENDCB49
	G1/4	Electric/Electric Presurised	3,0	22/45	0,28	P2LBZ712EENDCN	P2LBZ712EENDCB49
	G3/8	Centre	3,0	30/90	0,60	P2LCZ713EENDCN	P2LCZ713EENDCB49
	G1/8	Self centring	3,0	18/40	0,26	P2LAZ811EENDCN	P2LAZ811EENDCB49
	G1/4	Electric/Electric Vented	3,0	22/45	0,28	P2LBZ812EENDCN	P2LBZ812EENDCB49
	G3/8	Centre	3,0	30/90	0,60	P2LCZ813EENDCN	P2LCZ813EENDCB49

Note: All valves may be ordered with non locking manual override, replacing

...**CN** with ...**BN**

...**CB49** with ...**BB49**

Viking Lite

Available in boxed quantities of 25



The Viking Lite valve is available in boxed quantities of 25 combines high performance with compact installation dimensions. Large flow capacity, short change-over times and low change-over pressure are important characteristics of this valve range.

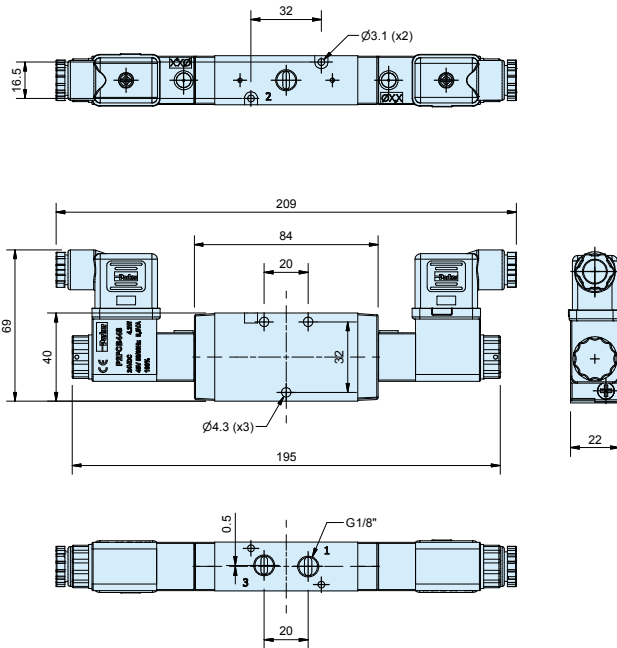
5/2 valves, internal air, standard temperature

Size	Actuation	Return	Order code Without solenoid	Order code With 24V DC (22mm coil)
G1/8	Electric	Electric	P2LAZ511EENDCNQ25	P2LAZ511EENDCB49Q25
G1/4	signal	signal	P2LBZ512EENDCNQ25	P2LBZ512EENDCB49Q25
G1/8	Electric	Spring	P2LAZ511ESNDCNQ25	P2LAZ511ESNDCB49Q25
G1/4	signal		P2LBZ512ESNDCNQ25	P2LBZ512ESNDCB49Q25

Dimensions

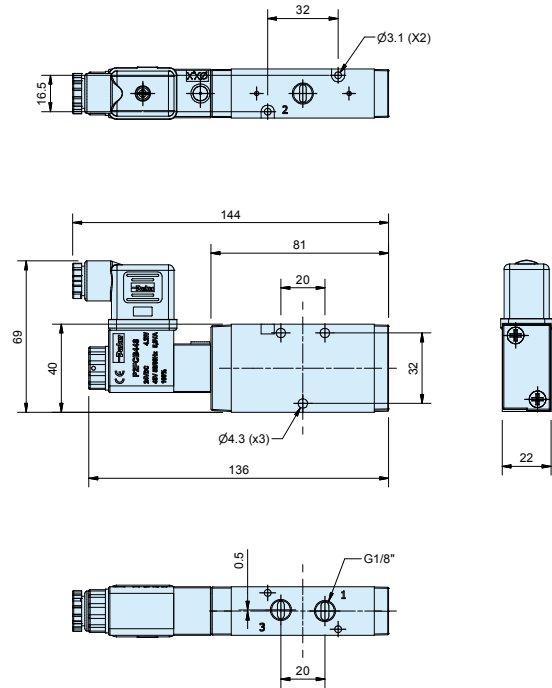
P2LAZ 3/2

Solenoid / Solenoid



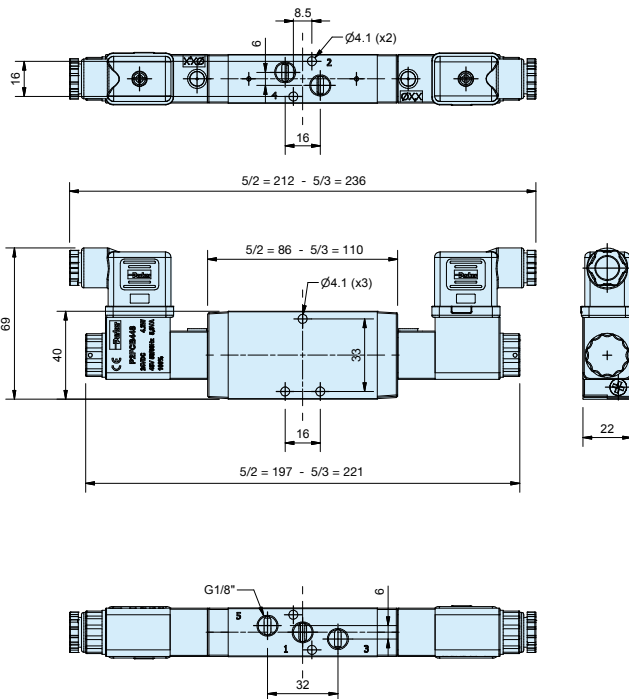
P2LAZ 3/2

Solenoid / Spring



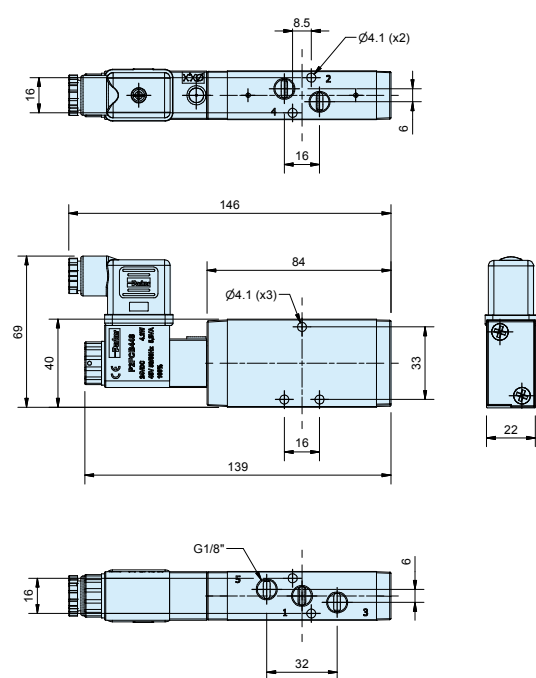
P2LAZ 5/2 and 5/3

Solenoid / Solenoid



P2LAZ 5/2

Solenoid / Spring

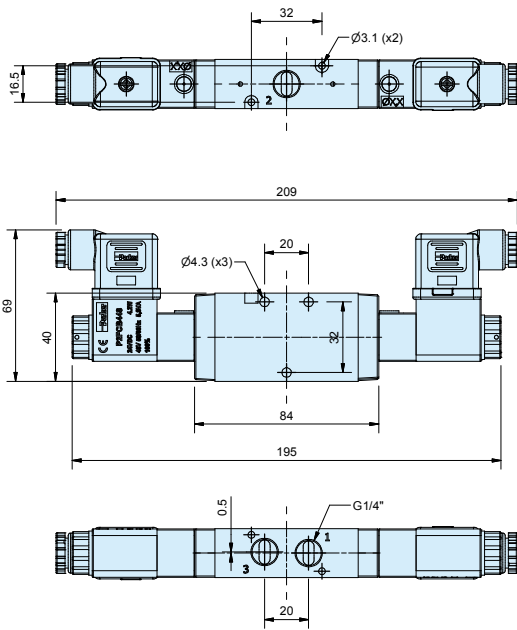


Solenoid valves

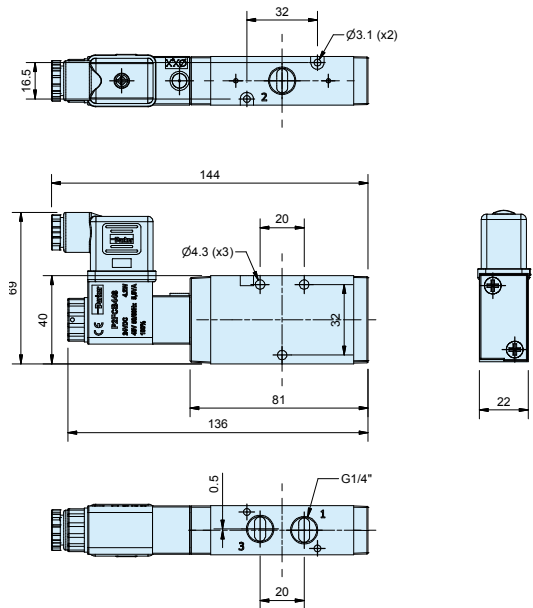
Solenoid valves and cable plugs must be ordered separately. One pilot valve is required for each E (NDCN only) in the valve order code.

Dimensions

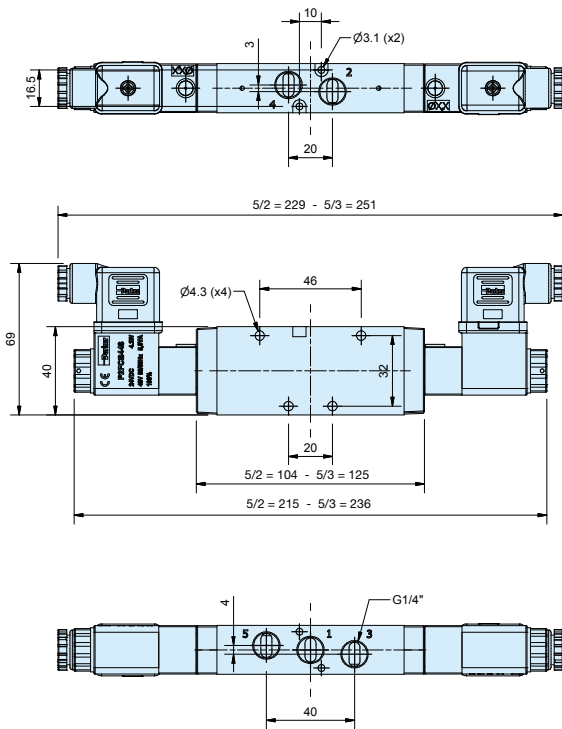
P2LBZ 3/2
 Solenoid / Solenoid



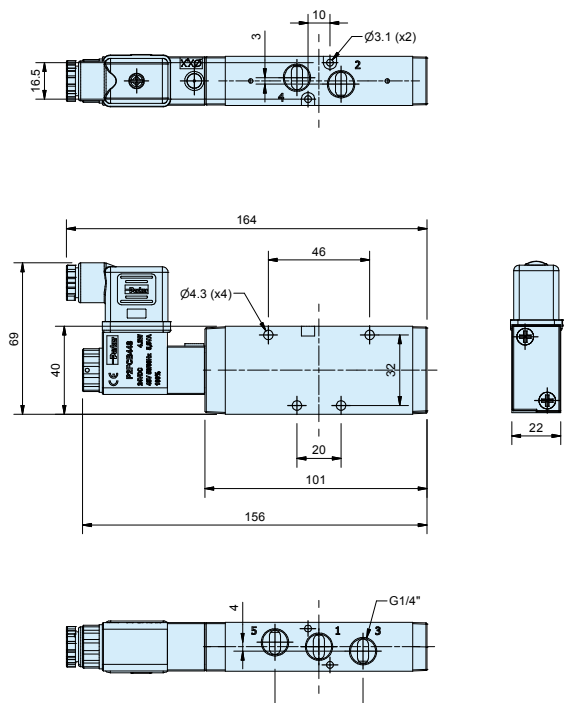
P2LBZ 3/2
 Solenoid / Spring



P2LBZ 5/2 and 5/3
 Solenoid / Solenoid



P2LBZ 5/2
 Solenoid / Spring

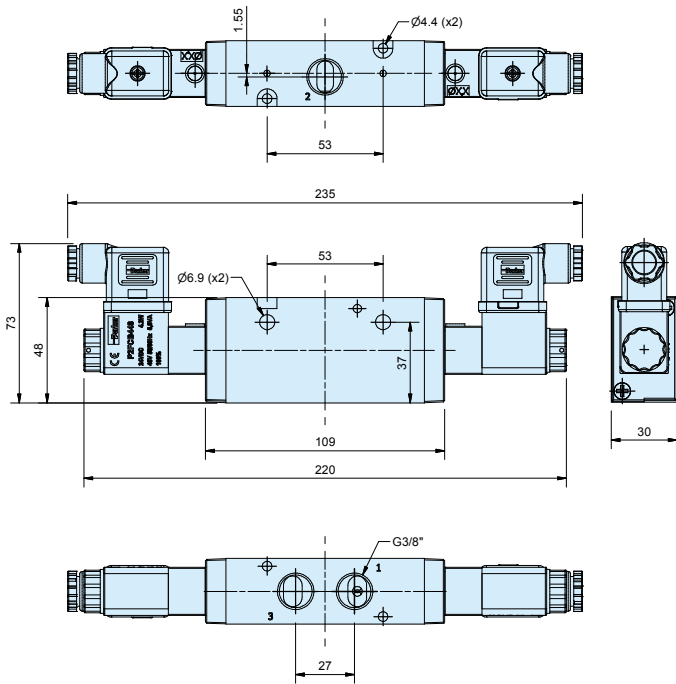


Solenoid valves

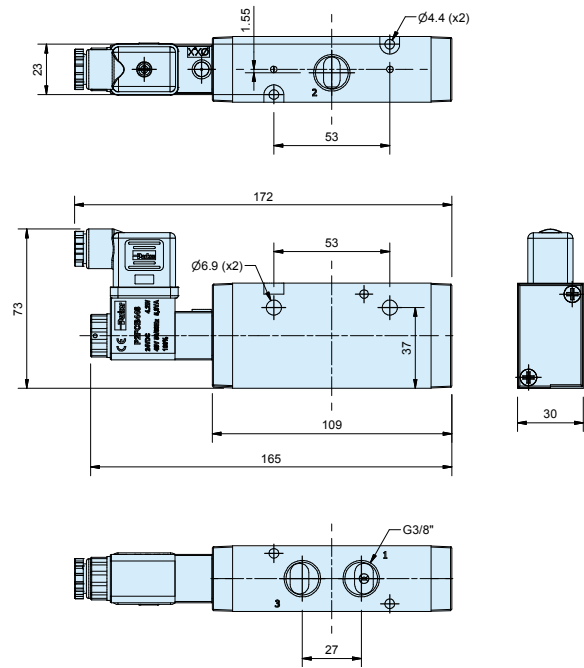
Solenoid valves and cable plugs must be ordered separately. One pilot valve is required for each E (NDCN only) in the valve order code.

Dimensions

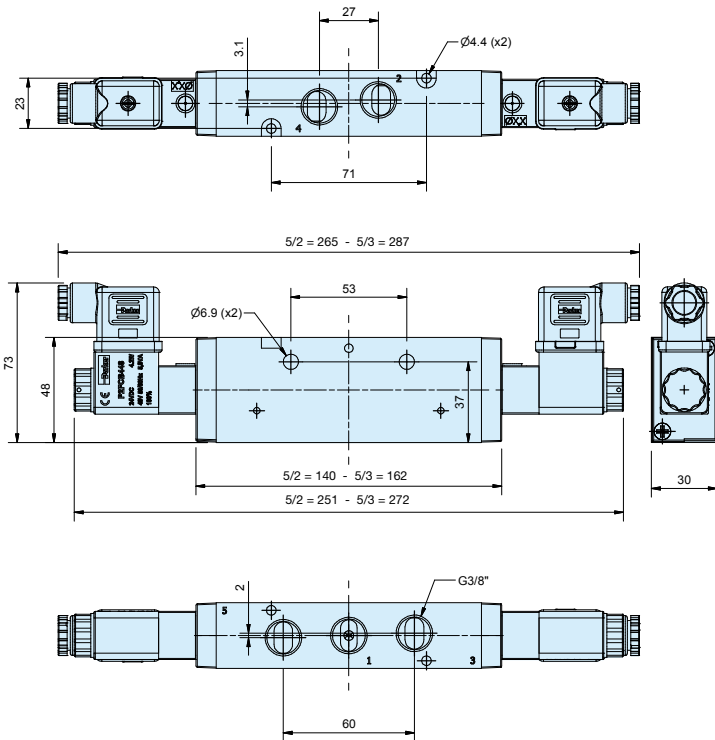
P2LCZ 3/2
 Solenoid / Solenoid



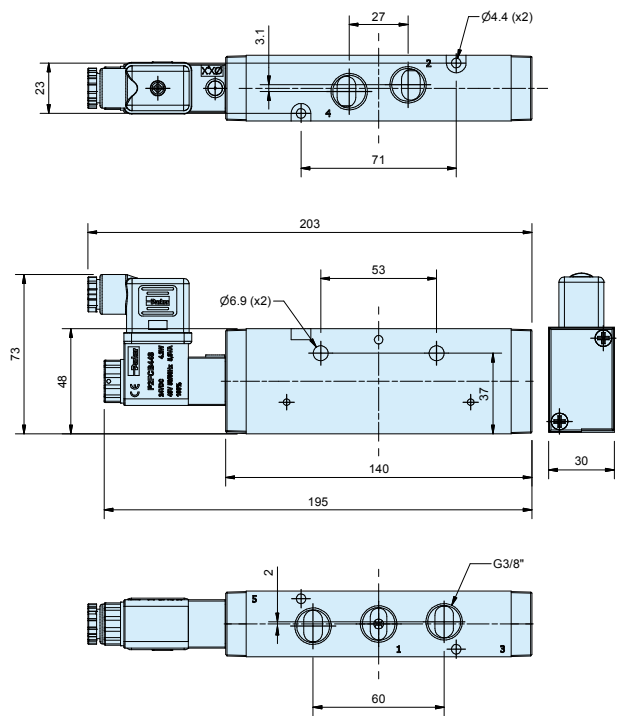
P2LCZ 3/2
 Solenoid / Spring





P2LCZ 5/2 and 5/3
 Solenoid / Solenoid



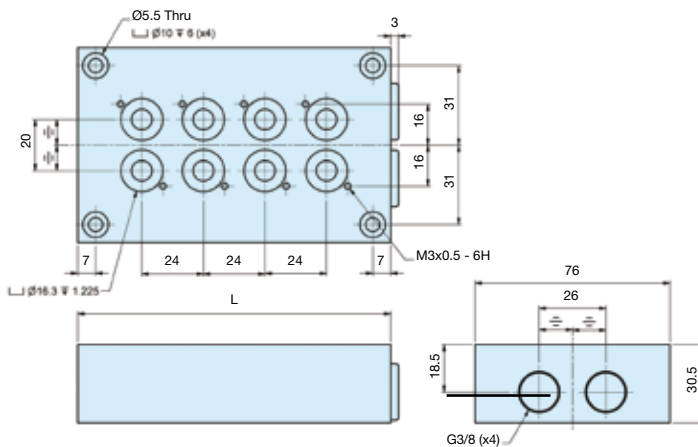
P2LCZ 5/2
 Solenoid / Spring



Accessories	Type P2LA / P2LB 3/2 valves	Weight kg	Order code
	Manifold bar, P2LB incl. fasteners and O-ring. G3/8 For 2 valves For 4 valves For 6 valves For 8 valves For 10 valves	0,38 0,64 0,89 1,15 1,40	91213202SXZ 91213204SXZ 91213206SXZ 91213208SXZ 91213210SXZ
		0,10	912132BPSXZ

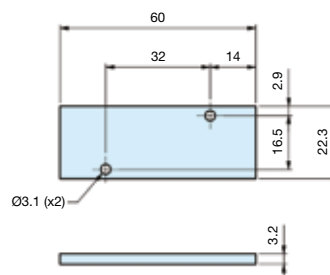
Dimensions








Manifold bar



No. of valves	L mm
2	74
4	122
6	170
8	218
10	266

Blanking plate for manifold bar, P2LB

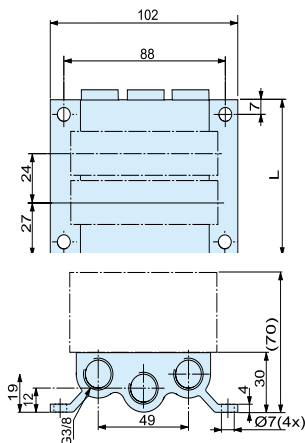


Accessories	Type P2LA 5/2 valves	Weight kg	Order code
	Manifold bar, P2LA including seals, mounting screws. G3/8 For 4 valves For 6 valves For 8 valves For 10 valves For 12 valves For 14 valves	0,48 0,63 0,80 0,98 1,10 1,23	9121658075 9121658076 9121658077 9121658078 9121658079 9121658099
	Blanking plate, P2LA for Manifold bar	0,05	9121658063
	Pressure bar, P2LA for common air supply incl. O-rings and mounting screws. G1/4 For 2 valves For 4 valves For 6 valves For 8 valves	0,13 0,20 0,26 0,33	9121658070 9121658071 9121658072 9121658073
	Blanking plate, P2LA for Pressure bar	0,05	9121658074
	Assembly screws, P2LA in stainless steel for valve	0,02	9121658043
	Assembly screws, P2LA in stainless steel for blanking plate	0,01	9121658044
	O-ring kit, P2LA O-rings between valve and manifold bar/Pressure bar	0,01	9121658046

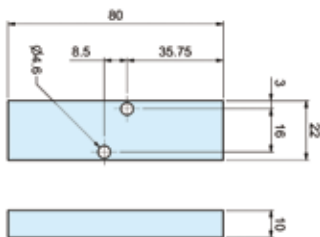
Dimensions

Manifold bar, P2LA

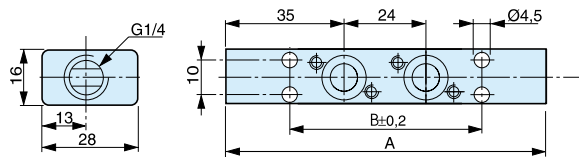
No. of valves	L mm
4	126
6	174
8	222
10	270
12	318
14	366



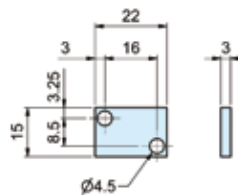
Blanking plate for manifold bar, P2LA







Pressure bar, P2LA



Blanking plate for pressure bar, P2LA

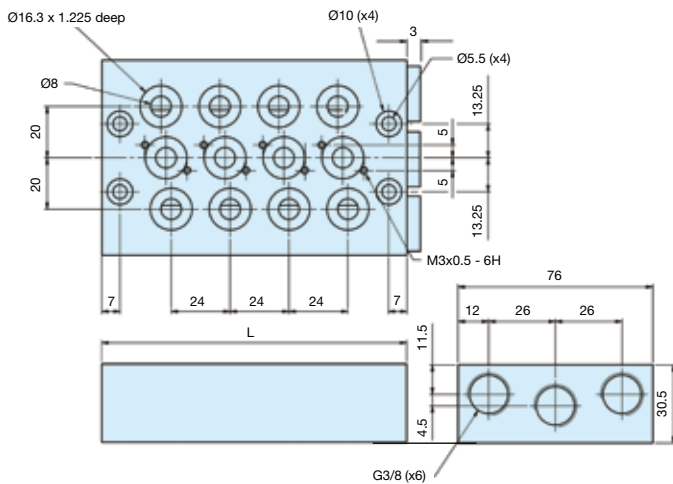


No. of valves	A mm	B mm
2	94	56
4	142	104
6	190	152
8	238	200

Accessories	Type P2LB 5/2 valves	Weight kg	Order code		
	Manifold bar, P2LB incl. fasteners and O-ring. G3/8 For 2 valves For 4 valves For 6 valves For 8 valves For 10 valves	0,69 1,13 1,56 2,00 2,45	9121594805X 9121594806X 9121594807X 9121594808X 9121594812X		
		Blanking plate, P2LB for Manifold bar	0,10	9121594809X	
		Pressure bar, P2LB for common air supply incl. O-rings and mounting screws. G3/8 For 2 valves For 4 valves For 6 valves For 8 valves For 10 valves	0,38 0,53 0,68 0,83 0,99	9127113301X 9127113302X 9127113303X 9127113304X 9127113305X	
			Blanking plate P2LB for Pressure bar. G1/4	0,02	9127113306X

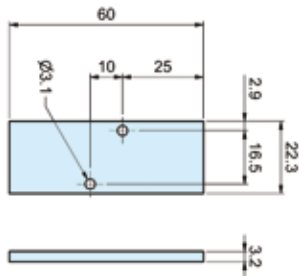
Dimensions

Manifold bar, P2LB

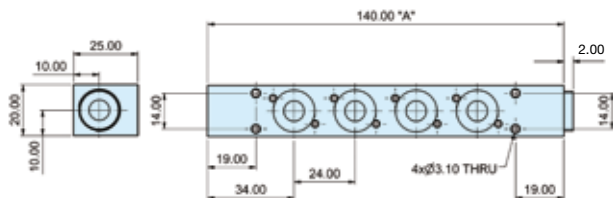


No. of valves	L mm
2	74
4	122
6	170
8	218
10	266

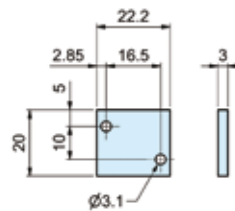
Blanking plate for manifold bar, P2LB



Pressure bar, P2LB



Blanking plate for pressure bar, P2LB



No. of valves	A mm
2	92
4	140
6	188
8	236
10	284

22mm solenoid operator part numbers and spares

Solenoid coils for 22mm solenoid operators

Voltage	Weight (Kg)	Order code Form B
12V 60Hz	0.093	P2FCB340
24V 50/60Hz	0.093	P2FCB342
12V DC	0.093	P2FCB345
24V DC	0.093	P2FCB349
48V DC	0.093	P2FCB351
110V/50Hz, 120V/60Hz	0.093	P2FCB353
230V/50Hz, 230V/60Hz	0.093	P2FCB357

Spare Solenoid Nuts


Valves requiring captured exhaust should be fitted with plastic knurled nut

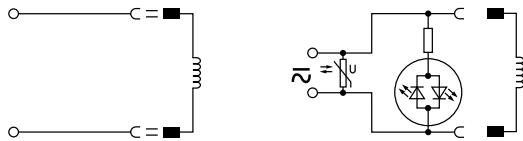
Order code
P2FNP

Valves with vented exhaust are fitted with diffuser plastic nut

Order Code
P2FND

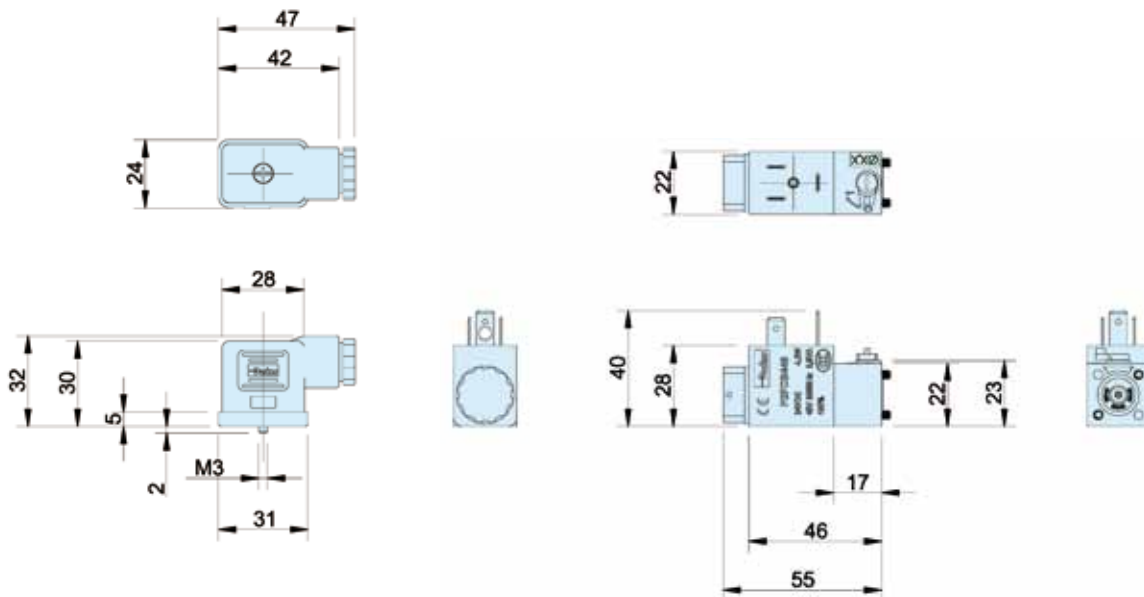
Solenoid Connectors / Cable Plugs EN175301-803

	Description	Order code 22mm Industrial Form B
With standard screw	Standard IP65 without flying lead	3EV10V10
	With LED and protection 24V AC/DC	3EV10V20-24
	With LED and protection 110V AC	3EV10V20-110
	With LED and protection 230V AC	3EV10V20-230
With cable	24V AC/DC, 5m cable LED and protection IP65	3EV10V20-24L5
	110V AC/DC, 5m cable LED and protection IP65	3EV10V20-110L5
	230V AC, 5m cable LED and protection IP65	3EV10V20-230L5



3EV10V10	3EV10V20-24	3EV10V20-24L5
	3EV10V20-110	3EV10V20-110L5
	3EV10V20-230	3EV10V20-230L5

Cable Plug Dimensions (mm)





Viking Xtreme

High performance directional control valves
G1/8 - G1/2 body ported



Extreme Environments

*Demand The **Viking Xtreme***

The Viking Xtreme valve range is robust, versatile and combines high performance with compact installation dimensions. Large flow capacity, short change-over times and low change-over pressure are important characteristics of this valve range.

The 1/8 & 1/4 sizes are designed to operate with pressures up to 16 bar and the 3/8 & 1/2 sizes up to 12 bar, in ambient temperatures -40°C to + 60°C when fitted with suitable solenoid operators.

The Viking Xtreme valve range is robust, versatile and combines high performance with compact installation dimensions. Large flow capacity, short change-over times and low change-over pressure are important characteristics of this valve range.

- 4 sizes: G1/8, G1/4, G3/8 and G1/2.
- Wide operating temperature range
- Compact design with good corrosion resistance.
- Wide range of 5/2 and 5/3 versions.
- High and low temperature versions available for transport applications.
- Lever operated version.
- Twist operated version.



Operating information

	P2L-AX	P2L-BX	P2L-CX	P2L-DX
Working pressure:	16 bar	16 bar	12 bar	12 bar
Working temperature, standard				
Air pilot solenoid	-40 °C to +60 °C			
Standard and food version	-10 °C to +50 °C			
Mobile & Lever operated version	-40 °C to +60 °C			
Flow (Qmax);	P2L-AX	P2L-BX	P2L-CX	P2L-DX
	19,0 l/s	38,0 l/s	72,0 l/s	78,0 l/s

For more information see www.parker.com/euro_pneumatic



For ATEX specific products contact Sales Office

Pneumatically actuated 3/2, 5/2 and 5/3 valves

Symbol	Size	Actuator	Return	Order code
3/2 valves, temperature -40°C to +60°C				
	G1/8	Air pilot	Air pilot	P2LAX311PP
	G1/4			P2LBX312PP
	G3/8			P2LCX313PP
	G1/2			P2LDX314PP
	G1/8	Air pilot	Spring	P2LAX311PS
	G1/4			P2LBX312PS
	G3/8			P2LCX313PS
	G1/2			P2LDX314PS
5/2 valves, temperature -40°C to +60°C				
	G1/8	Air pilot	Air pilot	P2LAX511PP
	G1/4			P2LBX512PP
	G3/8			P2LCX513PP
	G1/2			P2LDX514PP
	G1/8	Air pilot	Spring	P2LAX511PS
	G1/4			P2LBX512PS
	G3/8			P2LCX513PS
	G1/2			P2LDX514PS

Symbol	Size	Actuator	Return	Order code
5/3 valves, temperature -40°C to +60°C				
	G1/8	Air pilot	Air pilot	P2LAX611PP
	G1/4	Closed	Self	P2LBX612PP
	G3/8	centre	centring	P2LCX613PP
	G1/2			P2LDX614PP
	G1/8	Air pilot	Air pilot	P2LAX811PP
	G1/4	Vented	Self	P2LBX812PP
	G3/8	centre	centring	P2LCX813PP
	G1/2			P2LDX814PP
	G1/8	Air pilot	Air pilot	P2LAX711PP
	G1/4	Pressure	Self	P2LBX712PP
	G3/8	centre	centring	P2LCX713PP
	G1/2			P2LDX714PP

Electrically actuated 3/2, 5/2 and 5/3 valves - 15mm solenoid

Symbol	Size	Actuator	Return	Order code 15mm solenoid with 24 VDC sol	Order code without 15mm solenoid
3/2 valves, internal air, standard temperature					
	G1/8	Solenoid	Solenoid	P2LAX311EENXB549	P2LAX311EENXXX
	G1/4			P2LBX312EENXB549	P2LBX312EENXXX
	G3/8			P2LCX313EENXB549	P2LCX313EENXXX
	G1/2			P2LDX314EENXB549	P2LDX314EENXXX
	G1/8	Solenoid	Spring	P2LAX311ESNXB549	P2LAX311ESNXXX
	G1/4			P2LBX312ESNXB549	P2LBX312ESNXXX
	G3/8			P2LCX313ESNXB549	P2LCX313ESNXXX
	G1/2			P2LDX314ESNXB549	P2LDX314ESNXXX
5/2 valves, internal air, standard temperature					
	G1/8	Solenoid	Solenoid	P2LAX511EENXB549	P2LAX511EENXXX
	G1/4			P2LBX512EENXB549	P2LBX512EENXXX
	G3/8			P2LCX513EENXB549	P2LCX513EENXXX
	G1/2			P2LDX514EENXB549	P2LDX514EENXXX
	G1/8	Solenoid	Spring	P2LAX511ESNXB549	P2LAX511ESNXXX
	G1/4			P2LBX512ESNXB549	P2LBX512ESNXXX
	G3/8			P2LCX513ESNXB549	P2LCX513ESNXXX
	G1/2			P2LDX514ESNXB549	P2LDX514ESNXXX
5/3 valves, internal air, standard temperature					
	G1/8	Solenoid	Solenoid	P2LAX611EENXB549	P2LAX611EENXXX
	G1/4	Closed	Self	P2LBX612EENXB549	P2LBX612EENXXX
	G3/8	centre	centring	P2LCX613EENXB549	P2LCX613EENXXX
	G1/2			P2LDX614EENXB549	P2LDX614EENXXX
	G1/8	Solenoid	Solenoid	P2LAX811EENXB549	P2LAX811EENXXX
	G1/4	Vented	Self	P2LBX812EENXB549	P2LBX812EENXXX
	G3/8	centre	centring	P2LCX813EENXB549	P2LCX813EENXXX
	G1/2			P2LDX814EENXB549	P2LDX814EENXXX
	G1/8	Solenoid	Solenoid	P2LAX711EENXB549	P2LAX711EENXXX
	G1/4	Pressure	Self	P2LBX712EENXB549	P2LBX712EENXXX
	G3/8	centre	centring	P2LCX713EENXB549	P2LCX713EENXXX
	G1/2			P2LDX714EENXB549	P2LDX714EENXXX

Electrically actuated 3/2, 5/2 and 5/3 valves - 22mm solenoid

Symbol	Size	Actuator	Return	Order code 22mm solenoid 24 VDC	Order code Without solenoid coil
3/2 valves, internal air, standard temperature					
	G1/8	Solenoid	Solenoid	P2LAX311EENDDB49	P2LAX311EENDDN
	G1/4			P2LBX312EENDDB49	P2LBX312EENDDN
	G3/8			P2LCX313EENDDB49	P2LCX313EENDDN
	G1/2			P2LDX314EENDDB49	P2LDX314EENDDN
	G1/8	Solenoid	Spring	P2LAX311ESNDDDB49	P2LAX311ESNDDDN
	G1/4			P2LBX312ESNDDDB49	P2LBX312ESNDDDN
	G3/8			P2LCX313ESNDDDB49	P2LCX313ESNDDDN
	G1/2			P2LDX314ESNDDDB49	P2LDX314ESNDDDN
5/2 valves, internal air, standard temperature					
	G1/8	Solenoid	Solenoid	P2LAX511EENDDB49	P2LAX511EENDDN
	G1/4			P2LBX512EENDDB49	P2LBX512EENDDN
	G3/8			P2LCX513EENDDB49	P2LCX513EENDDN
	G1/2			P2LDX514EENDDB49	P2LDX514EENDDN
	G1/8	Solenoid	Spring	P2LAX511ESNDDDB49	P2LAX511ESNDDDN
	G1/4			P2LBX512ESNDDDB49	P2LBX512ESNDDDN
	G3/8			P2LCX513ESNDDDB49	P2LCX513ESNDDDN
	G1/2			P2LDX514ESNDDDB49	P2LDX514ESNDDDN
5/3 valves, internal air, standard temperature					
	G1/8	Solenoid	Solenoid	P2LAX611EENDDB49	P2LAX611EENDDN
	G1/4	Closed	Self	P2LBX612EENDDB49	P2LBX612EENDDN
	G3/8	centre	centring	P2LCX613EENDDB49	P2LCX613EENDDN
	G1/2			P2LDX614EENDDB49	P2LDX614EENDDN
	G1/8	Solenoid	Solenoid	P2LAX811EENDDB49	P2LAX811EENDDN
	G1/4	Vented	Self	P2LBX812EENDDB49	P2LBX812EENDDN
	G3/8	centre	centring	P2LCX813EENDDB49	P2LCX813EENDDN
	G1/2			P2LDX814EENDDB49	P2LDX814EENDDN
	G1/8	Solenoid	Solenoid	P2LAX711EENDDB49	P2LAX711EENDDN
	G1/4	Pressure	Self	P2LBX712EENDDB49	P2LBX712EENDDN
	G3/8	centre	centring	P2LCX713EENDDB49	P2LCX713EENDDN
	G1/2			P2LDX714EENDDB49	P2LDX714EENDDN

Electrically actuated 3/2, 5/2 and 5/3 - Xtreme duty 16 bar - 40°C to +60°C.

P2LAX/P2LBX 16 bar and P2LCX/P2LDX 12 bar

Symbol	Size	Actuator	Return	Order code 22mm solenoid 24 VDC	Order code Without solenoid coil
3/2 valves, internal air, low temperature					
	G1/8	Solenoid	Solenoid	P2LAX311EEHDDDB49	P2LAX311EEHDDN
	G1/4		Low temp.	P2LBX312EEHDDDB49	P2LBX312EEHDDN
	G3/8			P2LCX313EEHDDDB49	P2LCX313EEHDDN
	G1/2			P2LDX314EEHDDDB49	P2LDX314EEHDDN
	G1/8	Solenoid	Spring	P2LAX311ESHDDDB49	P2LAX311ESHDDN
	G1/4		Low temp.	P2LBX312ESHDDDB49	P2LBX312ESHDDN
	G3/8			P2LCX313ESHDDDB49	P2LCX313ESHDDN
	G1/2			P2LDX314ESHDDDB49	P2LDX314ESHDDN
5/2 valves, internal air, low temperature					
	G1/8	Solenoid	Solenoid	P2LAX511EEHDDDB49	P2LAX511EEHDDN
	G1/4		Low temp.	P2LBX512EEHDDDB49	P2LBX512EEHDDN
	G3/8			P2LCX513EEHDDDB49	P2LCX513EEHDDN
	G1/2			P2LDX514EEHDDDB49	P2LDX514EEHDDN
	G1/8	Solenoid	Spring	P2LAX511ESHDDDB49	P2LAX511ESHDDN
	G1/4		Low temp.	P2LBX512ESHDDDB49	P2LBX512ESHDDN
	G3/8			P2LCX513ESHDDDB49	P2LCX513ESHDDN
	G1/2			P2LDX514ESHDDDB49	P2LDX514ESHDDN
5/3 valves, internal air, low temperature					
	G1/8	Solenoid	Solenoid	P2LAX611EEHDDDB49	P2LAX611EEHDDN
	G1/4	Closed	Self	P2LBX612EEHDDDB49	P2LBX612EEHDDN
	G3/8	centre	centring	P2LCX613EEHDDDB49	P2LCX613EEHDDN
	G1/2			P2LDX614EEHDDDB49	P2LDX614EEHDDN
	G1/8	Solenoid	Solenoid	P2LAX811EEHDDDB49	P2LAX811EEHDDN
	G1/4	Vented	Self	P2LBX812EEHDDDB49	P2LBX812EEHDDN
	G3/8	centre	centring	P2LCX813EEHDDDB49	P2LCX813EEHDDN
	G1/2			P2LDX814EEHDDDB49	P2LDX814EEHDDN
	G1/8	Solenoid	Solenoid	P2LAX711EEHDDDB49	P2LAX711EEHDDN
	G1/4	Pressure	Self	P2LBX712EEHDDDB49	P2LBX712EEHDDN
	G3/8	centre	centring	P2LCX713EEHDDDB49	P2LCX713EEHDDN
	G1/2			P2LDX714EEHDDDB49	P2LDX714EEHDDN

Pneumatic twist operated valves - Xtreme operating pressure / temperature


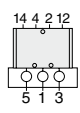

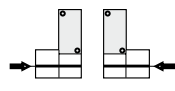

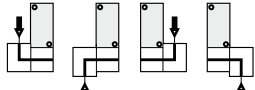

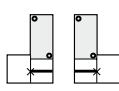

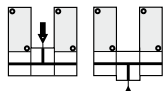

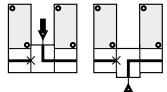

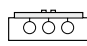
Max operating pressure 16 bar (A & B) 12 bar (C & D). temp range -40°C to +60°C

Symbol	Size	Actuation	Return	Changeover Angle	Order code
3/2 valves, temperature -40°C to +60°C					
	G1/4	Twist	Twist	45	P2LBX312JJ
5/2 valves, temperature -40°C to +60°C					
	G1/4	Twist	Twist	45	P2LBX512JJ
5/3 valves, temperature -40°C to +60°C					
	G1/4	Twist	Twist	54	P2LBX71277
	G1/4	Twist	Twist	54	P2LBX61277
	G1/4	Twist	Twist	54	P2LBX81277

Lever operated directional control valves

Max operating pressure 16 bar (A & B) 12 bar (C & D). temp range -40°C to +60°C





Symbol	Size	Actuation	Return	Changeover angle	Changeover Force	Type	Weight Kg	Order code
3/2 valves, standard temperature / Low temperature, lever 90° to ports								
	G1/8	Lever	Lever	20°	9 N	Std.	0,33	P2LAX311VV
	G1/4	Lever	Lever	20°	9 N	Std.	0,33	P2LBX312VV
	G3/8	Lever	Lever	32°	25 N	Std.	0,40	P2LCX313VV
	G1/2	Lever	Lever	32°	25 N	Std.	0,60	P2LDX314VV
	G1/8	Lever	Spring	20°	10N	Std.	0,33	P2LAX311VS
	G1/4	Lever	Spring	20°	10N	Std.	0,33	P2LBX312VS
	G3/8	Lever	Spring	32°	15 N	Std.	0,40	P2LCX313VS
	G1/2	Lever	Spring	32°	15 N	Std.	0,60	P2LDX314VS
5/2 valves, standard temperature / Low temperature, lever 90° to ports								
	G1/8	Lever	Lever	28°	9 N	Std.	0,18	P2LAX511VV
	G1/4	Lever	Lever	20°	9 N	Std.	0,33	P2LBX512VV
	G3/8	Lever	Lever	32°	25 N	Std.	0,40	P2LCX513VV
	G1/2	Lever	Lever	32°	25 N	Std.	0,60	P2LDX514VV
	G1/8	Lever	Spring	28°	10N	Std.	0,18	P2LAX511VS
	G1/4	Lever	Spring	20°	10N	Std.	0,33	P2LBX512VS
	G3/8	Lever	Spring	32°	15 N	Std.	0,40	P2LCX513VS
	G1/2	Lever	Spring	32°	15 N	Std.	0,60	P2LDX514VS
5/3 valves, low temperature, lever 90° to ports								
	G1/8	Lever	Lever	±14°	15 N	Std.	0,18	P2LAX61122
	G1/4	Closed centre position held in three positions		±12°	15 N	Std.	0,33	P2LBX61222
	G3/8		±16°	17 N	Std.	0,71	P2LCX61322	
	G1/2		±16°	17 N	Std.	0,73	P2LDX61422	
	G1/8	Lever	Lever	±14°	15 N	Std.	0,18	P2LAX81122
	G1/4	Exhausted centre position held in three positions		±12°	15 N	Std.	0,33	P2LBX81222
	G3/8		±16°	17 N	Std.	0,71	P2LCX81322	
	G1/2		±16°	17 N	Std.	0,73	P2LDX81422	
	G1/8	Lever	Lever	±14°	15 N	Std.	0,18	P2LAX71122
	G1/4	Pressure applied centre position held in three positions		±12°	15 N	Std.	0,33	P2LBX71222
	G3/8		±16°	17 N	Std.	0,71	P2LCX71322	
	G1/2		±16°	17 N	Std.	0,73	P2LDX71422	
	G1/8	Lever	Lever	±14°	16 N	Std.	0,18	P2LAX61111
	G1/4	Closed centre position Self centring		±12°	16 N	Std.	0,33	P2LBX61211
	G3/8		±16°	30 N	Std.	0,71	P2LCX61311	
	G1/2		±16°	30 N	Std.	0,73	P2LDX61411	
	G1/8	Lever	Lever	±14°	16 N	Std.	0,18	P2LAX81111
	G1/4	Exhausted centre position Self centring		±12°	16 N	Std.	0,33	P2LBX81211
	G3/8		±16°	30 N	Std.	0,71	P2LCX81311	
	G1/2		±16°	30 N	Std.	0,73	P2LDX81411	
	G1/8	Lever	Lever	±14°	16 N	Std.	0,18	P2LAX71111
	G1/4	Pressure applied centre position Self centring		±12°	16 N	Std.	0,33	P2LBX71211
	G3/8		±16°	30 N	Std.	0,71	P2LCX71311	
	G1/2		±16°	30 N	Std.	0,73	P2LDX71411	

Accessories P2LAX	Connection alternatives	Type	Weight kg	Order code
		Multiple manifold including seals, mounting screws, and guiding pins.	0,11	9121658060
		Connection block S including seals, mounting screws, and guiding pins. G1/4	0,15	9121658064
		Connection block L including seals, mounting screws, and guiding pins. G1/4	0,15	9121658061
		End cover including seals, mounting screws, and guiding pins.	0,16	9121658066
		Intermediate block T including seals, mounting screws, and guiding pins. G1/4	0,17	9121658062
		Intermediate block L including seals, mounting screws, and guiding pins. G1/4	0,17	9121658065
		Blanking plate including seals, mounting screws.	0,05	9121658063

Accessories P2LAX

Type	Weight kg	Order code
 Manifold bar, P2LA including seals, mounting screws. G3/8 For 4 valves 0,48 9121658075 For 6 valves 0,63 9121658076 For 8 valves 0,80 9121658077 For 10 valves 0,98 9121658078 For 12 valves 1,10 9121658079 For 14 valves 1,23 9121658099		
 Blanking plate, P2LA for Manifold bar 0,05 9121658063		
 Pressure bar, P2LA for common air supply incl. O-rings and mounting screws. G1/4 For 2 valves 0,13 9121658070 For 4 valves 0,20 9121658071 For 6 valves 0,26 9121658072 For 8 valves 0,33 9121658073		
 Blanking plate, P2LA for Pressure bar 0,05 9121658074		
 Assembly screws, P2LA in stainless steel for valve 0,02 9121658043		
 Assembly screws, P2LA in stainless steel for blanking plate 0,01 9121658044		
 O-ring kit, P2LA O-rings between valve and manifold bar/ Pressure bar 0,01 9121658046		

Accessories P2LBX

Type	Weight kg	Order code
 Manifold bar, P2LB, (not for P2LB with external air supply to solenoid valves) incl. fasteners and O-ring. G3/8 For 2 valves 0,69 9121594805X For 4 valves 1,13 9121594806X For 6 valves 1,56 9121594807X For 8 valves 2,00 9121594808X For 10 valves 2,45 9121594812X		
 Blanking plate, P2LB for Manifold bar 0,10 9121594809X		
 Pressure bar, P2LB for common air supply incl. O-rings and banjo-bolts. G3/8 For 2 valves 0,38 9127113301X For 4 valves 0,53 9127113302X For 6 valves 0,68 9127113303X For 8 valves 0,83 9127113304X For 10 valves 0,99 9127113305X		
 Blanking plug, P2LB for Pressure bar. G1/4 0,02 9127113306X		

22mm solenoid operator part numbers and spares

Solenoid coils for 22mm solenoid operators

Voltage	Order code Form A	Weight (Kg)	Order code Form B	Weight (Kg)
12V 60Hz			P2FCB440	0.093
24V 50/60Hz			P2FCB442	0.093
12V DC			P2FCB445	0.093
12V DC Mobile	P2FCA447	0.17	P2FCB447	0.093
24v DC Mobile	P2FCA448	0.17	P2FCB448	0.093
24V DC			P2FCB449	0.093
24V DC Low power			P2FCB249	0.093
48V DC			P2FCB451	0.093
110V/50Hz, 120V/60Hz			P2FCB453	0.093
230V/50Hz, 230V/60Hz			P2FCB457	0.093

Note: Mobile solenoids are only suitable for Viking Xtreme valves with 'H' specification having 0,8/1,0 operator type P2FP13H4D

Spare Solenoid Nuts

Valves requiring captured exhaust should be fitted with plastic knurled nut

Order code
P2FNP

Valves with vented exhaust are fitted with diffuser plastic nut

Order Code
P2FND

Spare Solenoid Operators

Solenoid pilot operator 22mm NC, Normal duty
(Max Operating pressure 10bar, Temp -10°C to +50°C)

Order code (with locking bi-stable m/o)	Weight Kg	Order code (with Non-locking monostable m/o)	Weight Kg
P2FP13N4C	0.05kg	P2FP13N4D	0.05kg

Low power pilot operator NC, Normal duty
(Max Operating pressure 10bar, Temp -10°C to +50°C)

Order code (with locking bi-stable m/o)	Weight Kg	Order code (with Non-locking monostable m/o)	Weight Kg
P2FP13N2C	0.05kg	P2FP13N2D	0.05kg

Solenoid pilot operator 22mm NC, Xtreme duty
(Max Operating pressure 16bar, Temp -40°C to +60°C)

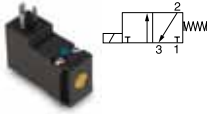
Order code (with Non-locking (monostable m/o)	Weight Kg
P2FP13H4D	0.05kg

Note.

Solenoid pilot operators are fitted to the Viking valve range. Order the above part numbers for spares. The operators are supplied with mounting screws and interface 'O' rings.

Coils and connectors must be ordered separately.

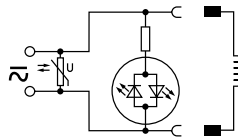
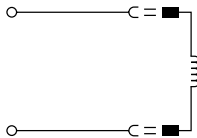
Solenoid Operators - Electrical connection EN175301-803 C/ISO15217 (Ex DIN 43650C)**Solenoids 15 mm NC, standard**

	Voltage	Weight Kg	Order code Without manual override		Weight Kg	Order code Override, blue, non locking flush		Weight Kg	Order code Override, yellow, locking flush
	12 VDC	0,038	P2E-KV32B0	Ⓛ	0,038	P2E-KV32B1	Ⓛ	0,038	P2E-KV32B2
	24 VDC	0,038	P2E-KV32C0	Ⓛ	0,038	P2E-KV32C1	Ⓛ	0,038	P2E-KV32C2
	48 VDC	0,038	P2E-KV32D0	Ⓛ	0,038	P2E-KV32D1	Ⓛ	0,038	P2E-KV32D2
	24 VAC 50Hz	0,038	P2E-KV31C0	Ⓛ	0,038	P2E-KV31C1	Ⓛ	0,038	P2E-KV31C2
	48 VAC 50/60Hz	0,038	P2E-KV34D0	Ⓛ	0,038	P2E-KV34D1	Ⓛ	0,038	P2E-KV34D2
	115 VAC 50Hz/ 120 VAC 60Hz	0,038	P2E-KV31F0	Ⓛ	0,038	P2E-KV31F1	Ⓛ	0,038	P2E-KV31F2
	230 VAC 50Hz/ 240 VAC 60Hz	0,038	P2E-KV31J0	Ⓛ	0,038	P2E-KV31J1	Ⓛ	0,038	P2E-KV31J2

In accordance with the EU Machine Directive, EN 983, solenoid valves with manual override should have spring-return operating arms for safety.

Solenoid Connectors / Cable Plugs EN175301-803

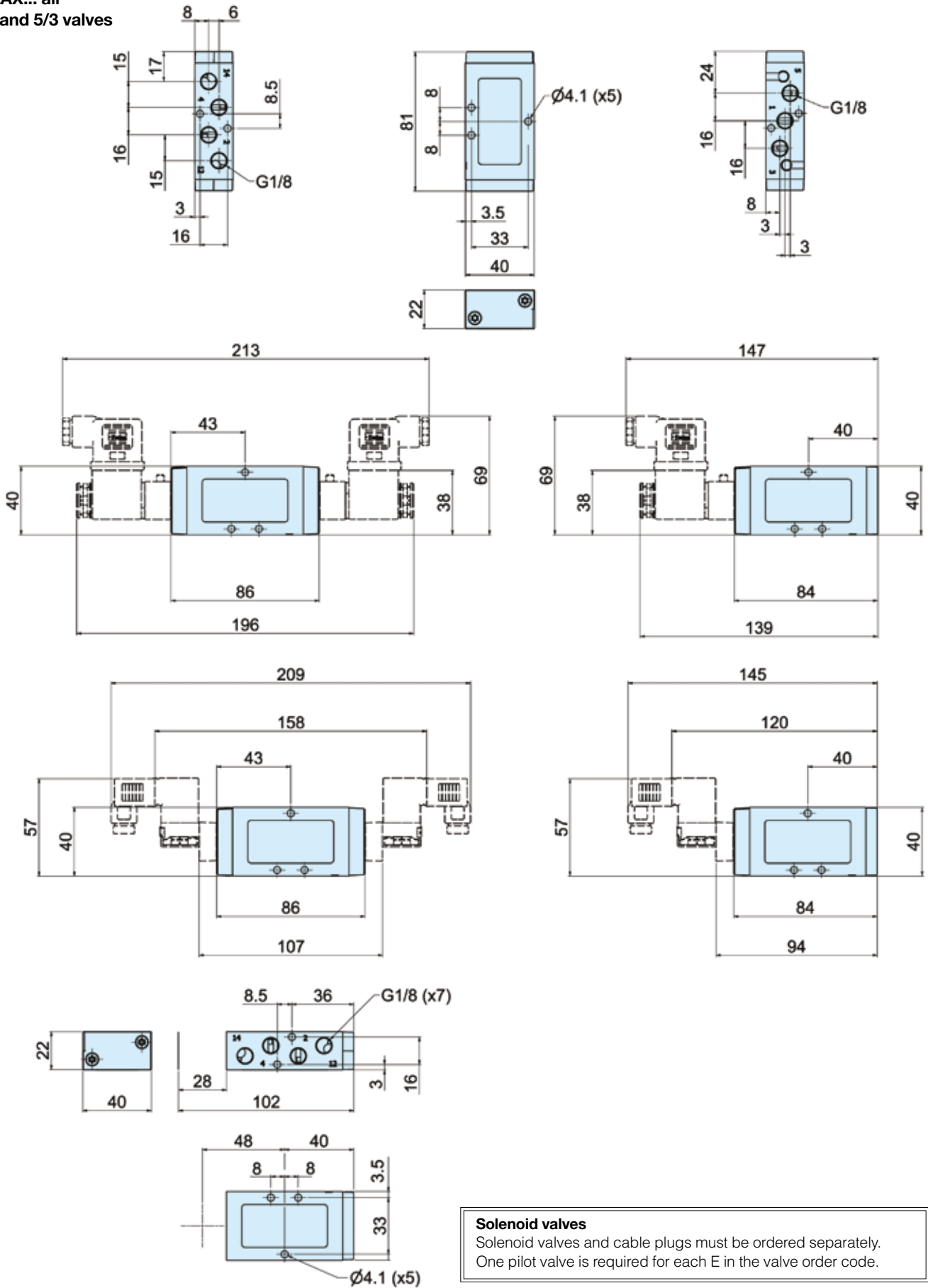
	Description	Order code 15mm Form C/ISO15217	Order code 22mm Industrial Form B
With large headed screw suitable for mounting in inaccessible or recess position 	Standard IP65	P8C-C	
	24V DC LED and protection IP65	P8C-C26C	
	110V AC LED and protection IP65	P8C-C21E	
With standard screw 	Standard IP65 without flying lead	P8C-D	3EV10V10
	With LED and protection 24V AC/DC	P8C-D26C	3EV10V20-24
	With LED and protection 110V AC	P8C-D21E	3EV10V20-110
	With LED and protection 230V AC		3EV10V20-230
With cable 	Standard with 2m cable IP65	P8L-C2	
	Standard with 5m cable IP65	P8L-C5	
	24V AC/DC, 2m cable LED and protection IP65	P8L-C226C	
	24V AC/DC, 5m cable LED and protection IP65	P8L-C526C	3EV10V20-24L5
	24V AC/DC, 10m cable LED and protection IP65	P8L-CA26C	
	110V AC/DC, 2m cable LED and protection IP65	P8L-C221E	
	110V AC/DC, 5m cable LED and protection IP65	P8L-C521E	3EV10V20-110L5
	230V AC, 5m cable LED and protection IP65		3EV10V20-230L5



P8C-C	P8C-D26C	P8L-C226C
P8C-D	P8C-D21E	P8L-C526C
P8L-C2	P8C-C26C	P8L-CA26C
P8L-C5	P8C-C21E	P8L-C221E
3EV10V10		P8L-C521E
3EV290V10	3EV10V20-24	3EV10V20-24L5
	3EV10V20-110	3EV10V20-110L5
	3EV10V20-230	3EV10V20-230L5

Dimensions

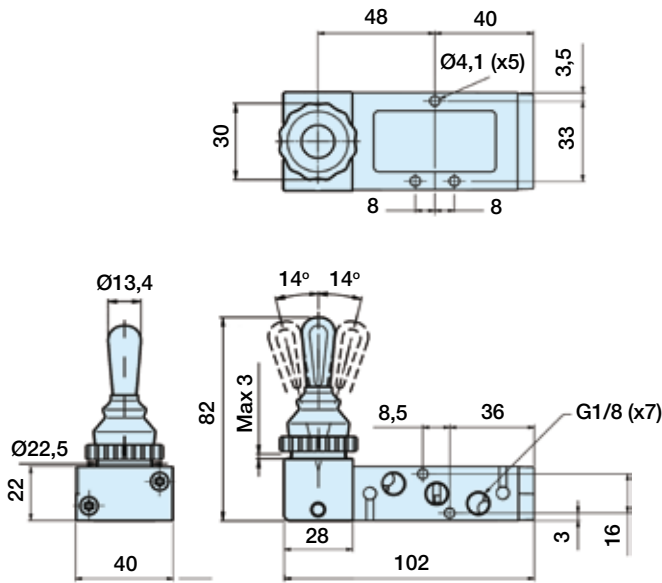
P2LAX... all
5/2 and 5/3 valves



Solenoid valves
Solenoid valves and cable plugs must be ordered separately.
One pilot valve is required for each E in the valve order code.

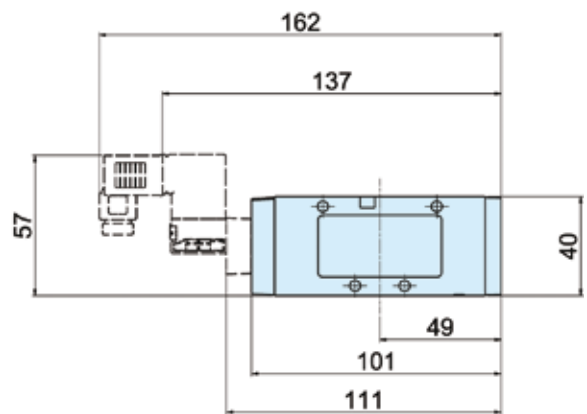
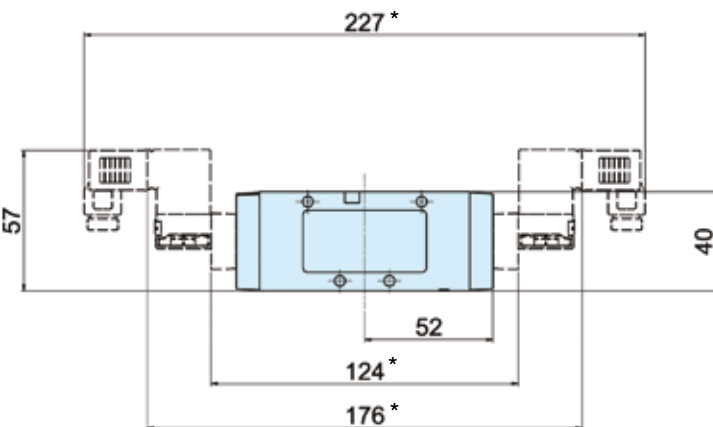
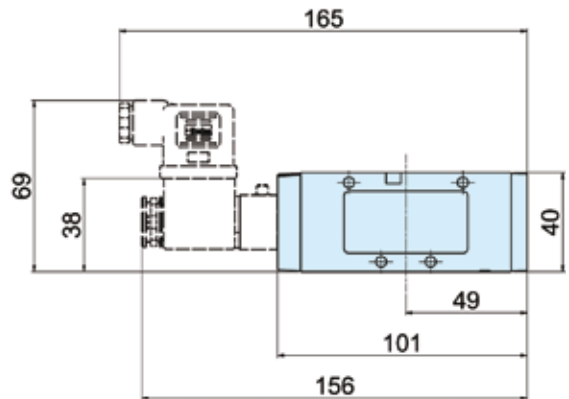
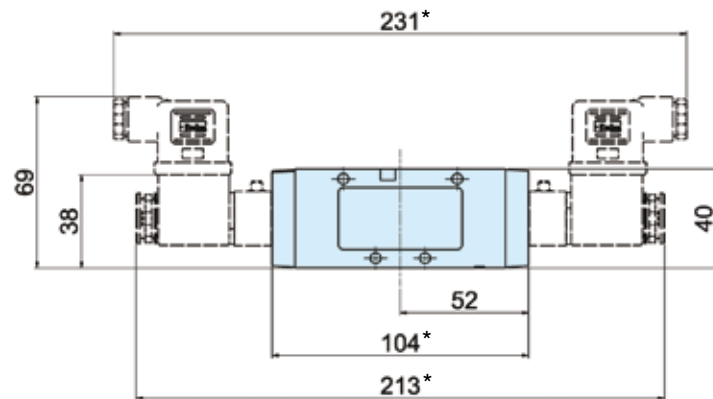
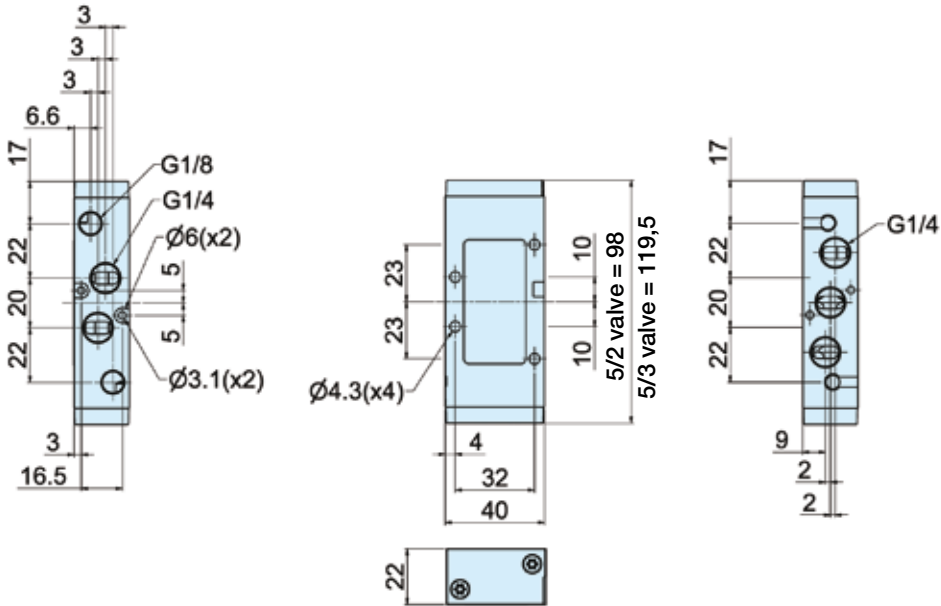
Dimensions

P2LAX - Lever operated directional control valves



Dimensions

P2LBX... all
5/2 and 5/3 valves



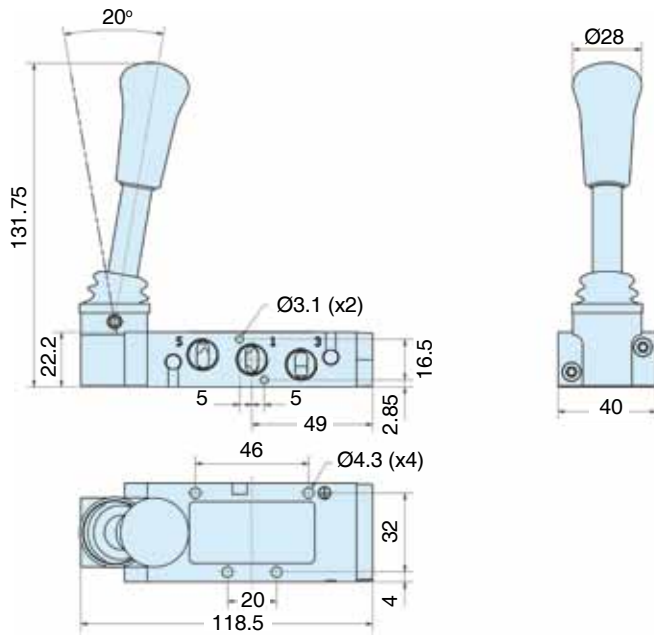
* Note: 5/3 valves - add 21.5mm

Solenoid valves

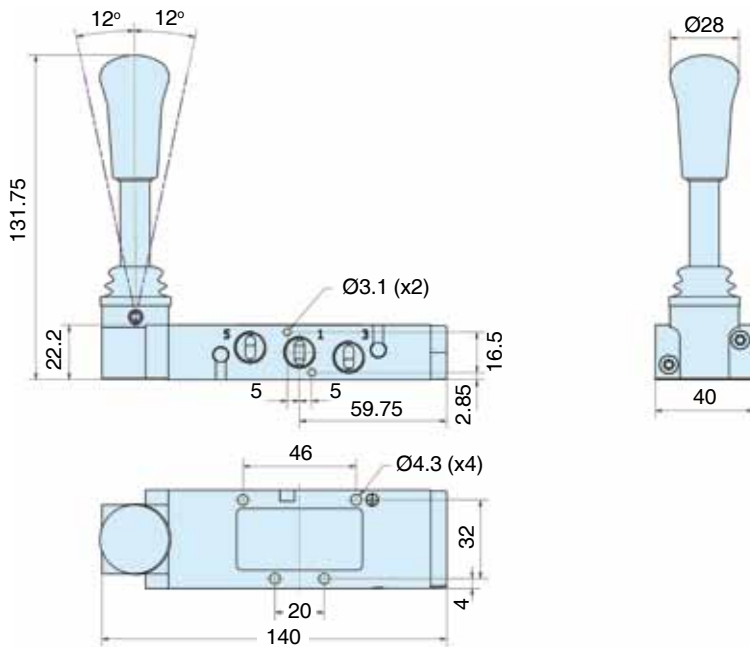
Solenoid valves and cable plugs must be ordered separately.
One pilot valve is required for each E in the valve order code.

Dimensions

P2LBX - 5/2 Lever operated directional control valves

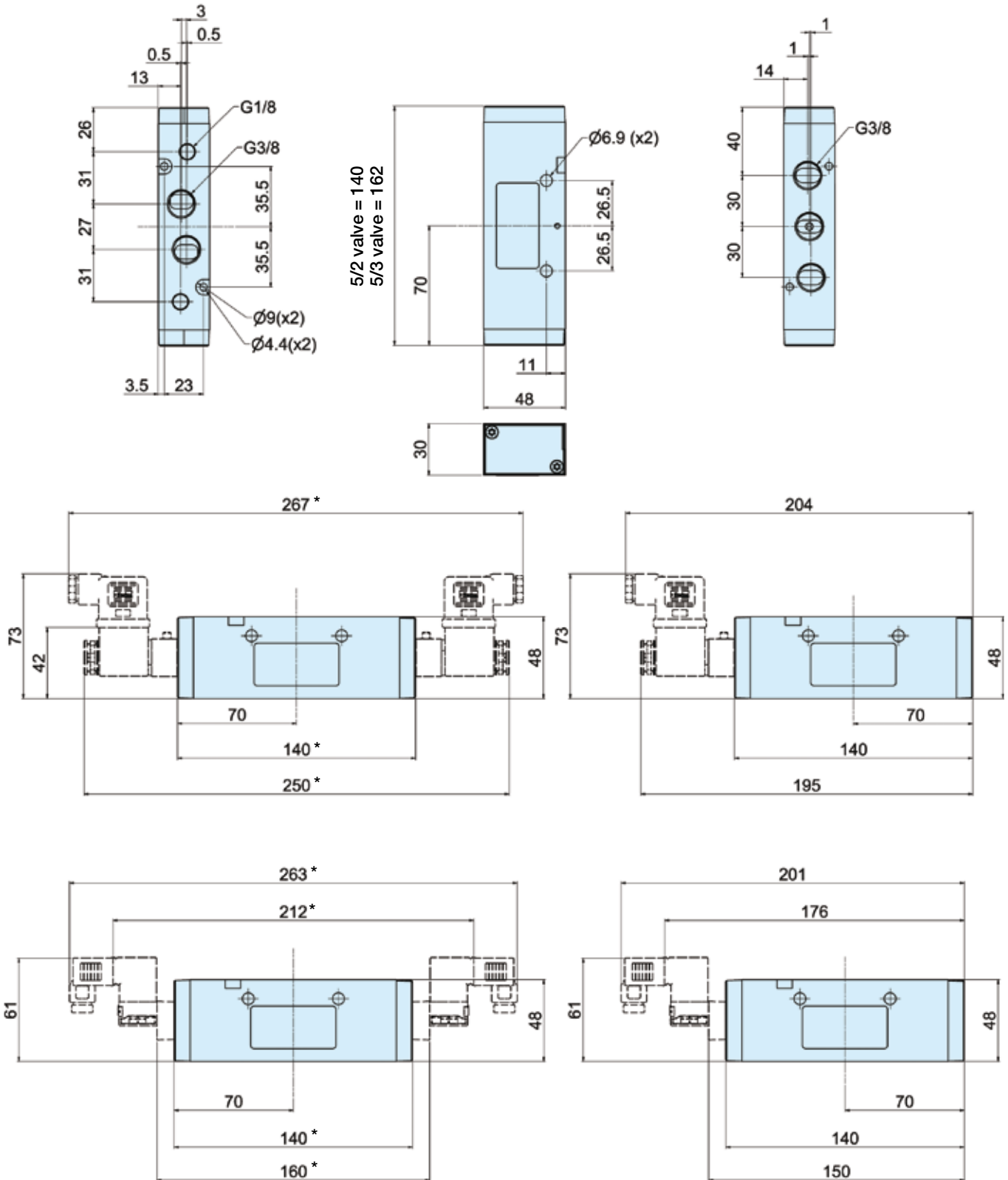


P2LBX - 5/3 Lever operated directional control valves



Dimensions

P2LCX... all
5/2 and 5/3 valves

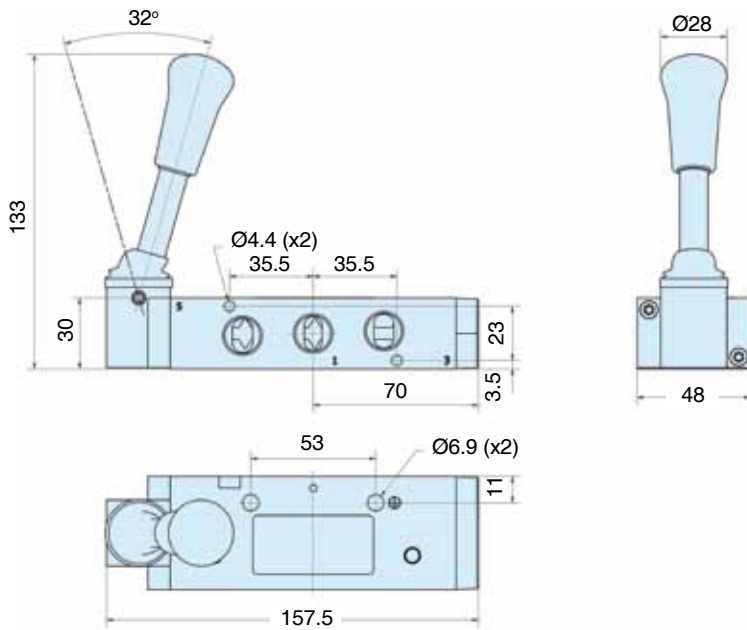


* Note: 5/3 valves - add 22.0mm

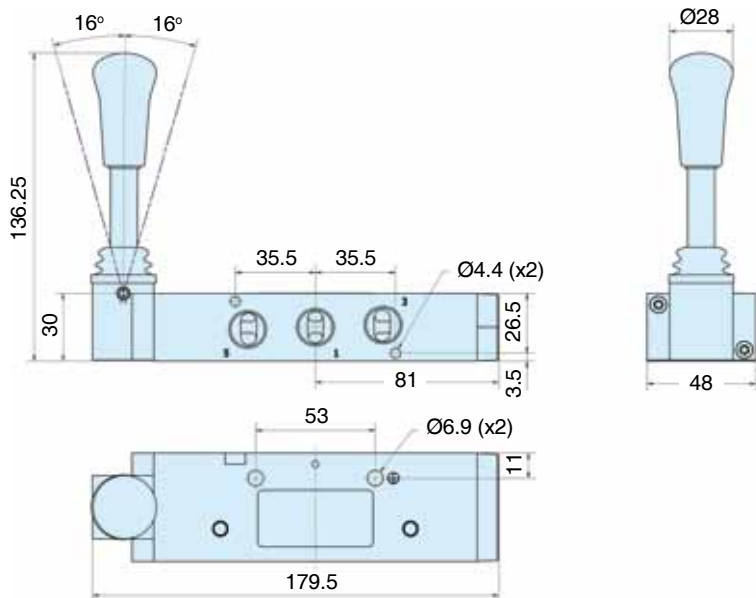
Solenoid valves
Solenoid valves and cable plugs must be ordered separately.
One pilot valve is required for each E in the valve order code.

Dimensions

P2LCX - 5/2 Lever operated directional control valves

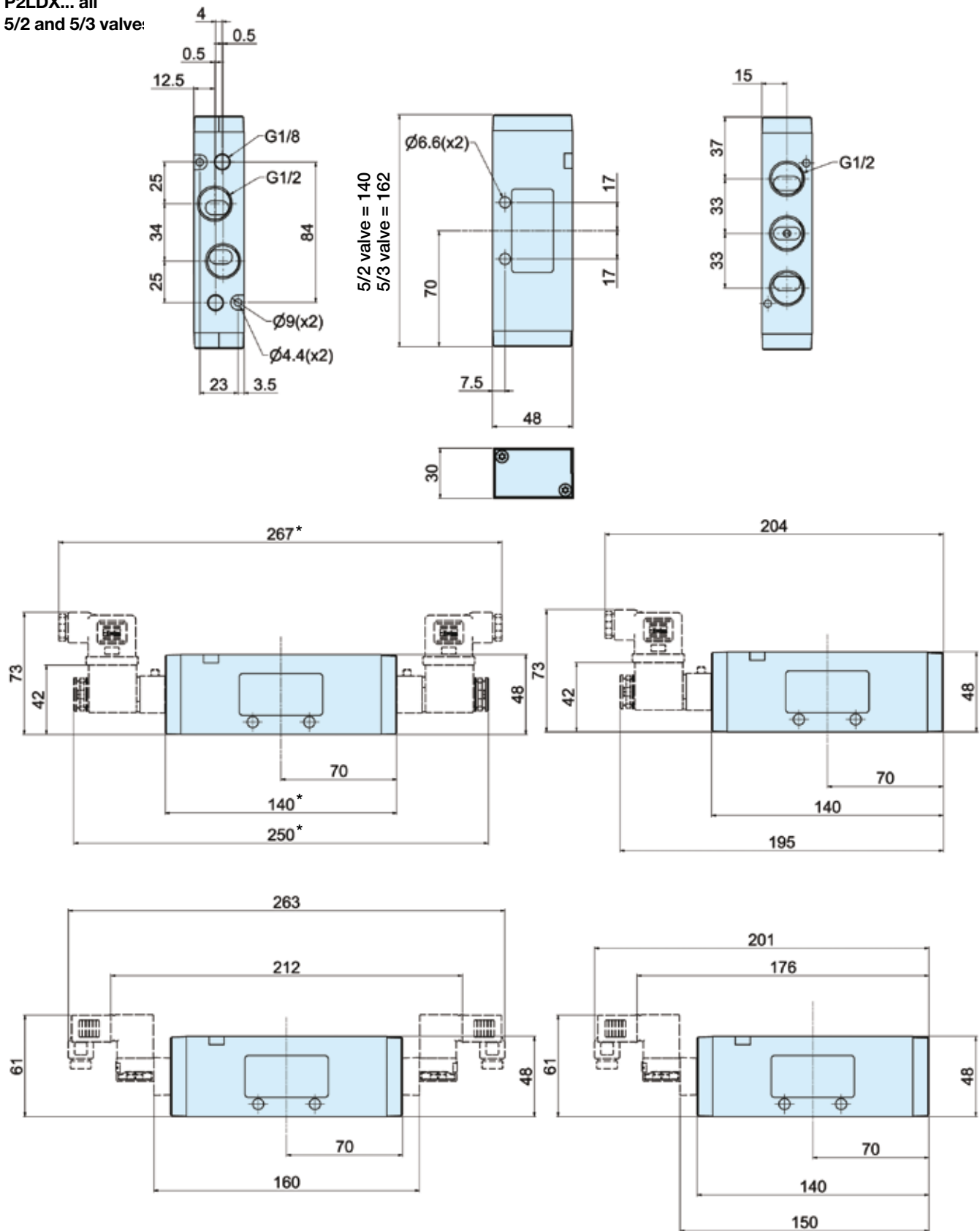


P2LCX - 5/3 Lever operated directional control valves



Dimensions

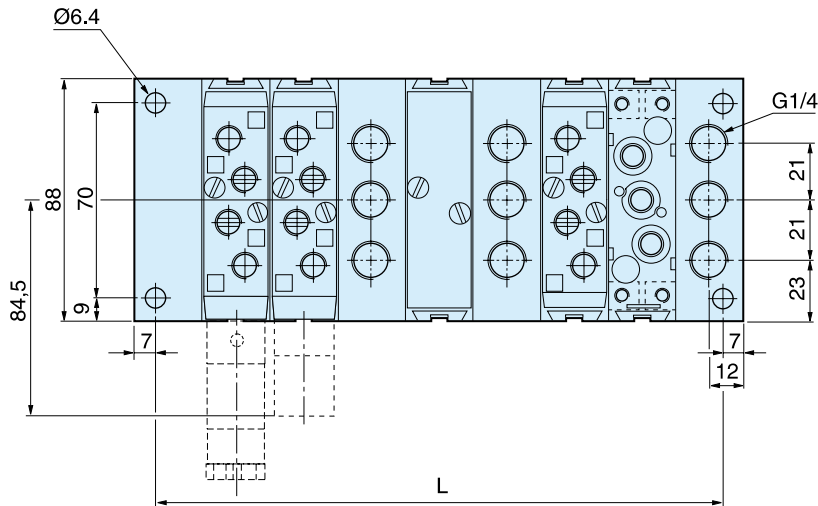
P2LDX... all
5/2 and 5/3 valve:



* Note: 5/3 valves - add 22.0mm

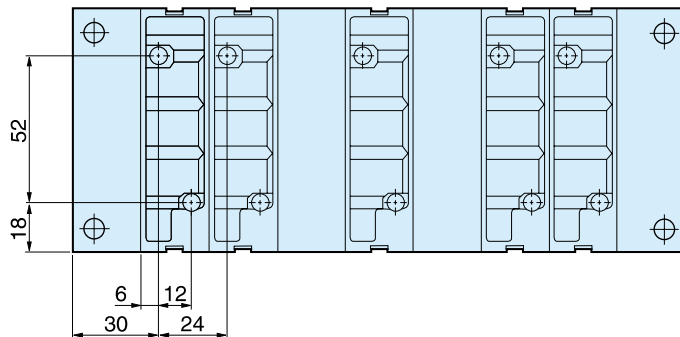
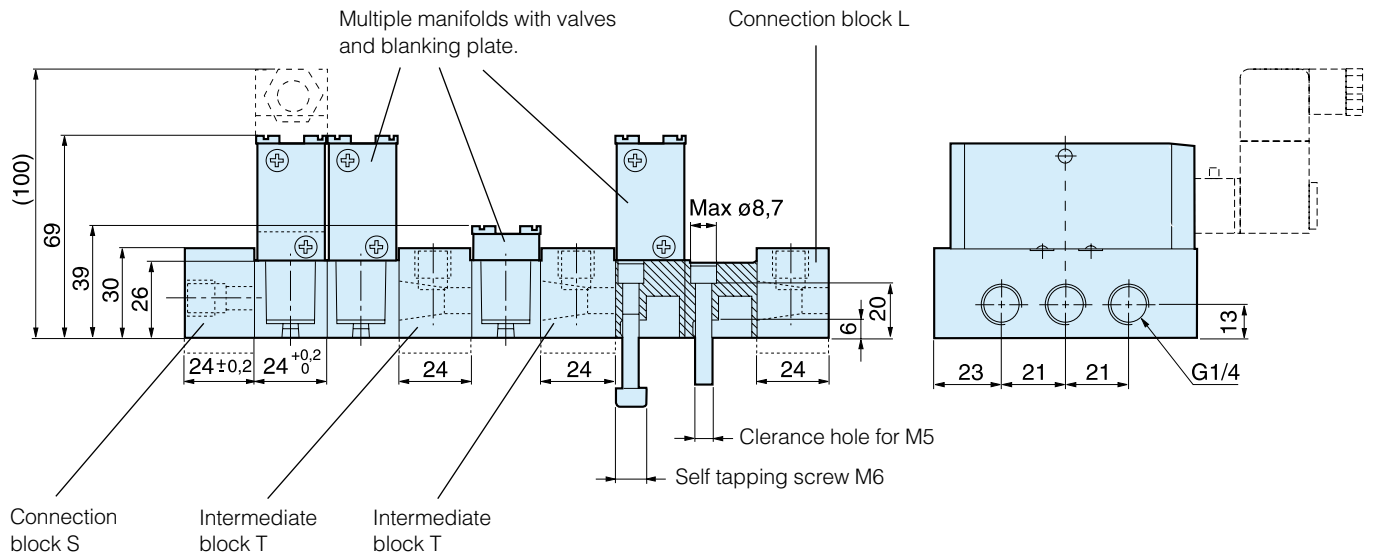
Solenoid valves
Solenoid valves and cable plugs must be ordered separately.
One pilot valve is required for each E in the valve order code.

Dimensions



$L = 34 + (\text{Number of manifolds and Intermediate blocks} \times 24)$

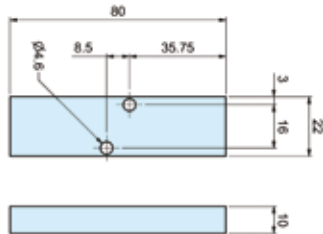
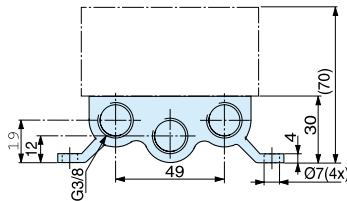
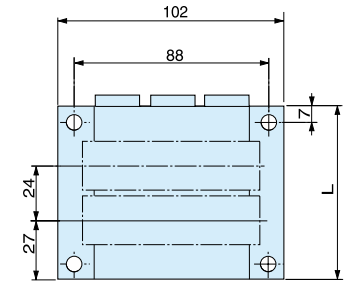
Connection block L and intermediate blocks L and T can be turned so that connection can be made from above or below. Multiple manifolds must be fitted with the top indication line (a 10 mm long line) facing the same side on all manifolds.



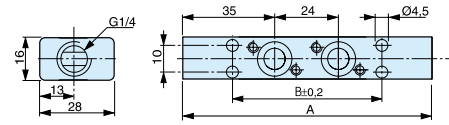
Dimensions

Manifold bar, P2LA

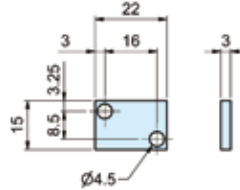
No. of valves	L mm
4	126
6	174
8	222
10	270
12	318
14	366



Pressure bar, P2LA

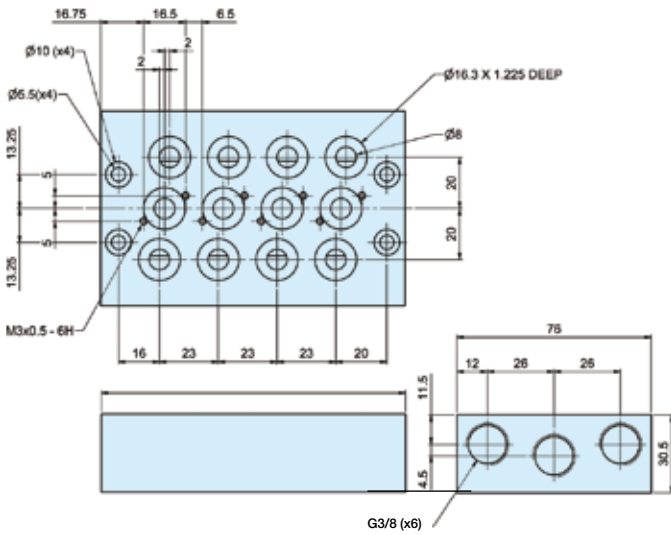


Pressure bar, P2LA

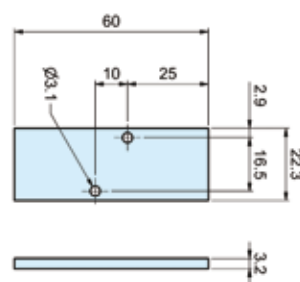


No. of valves	A mm	B mm
2	94	56
4	142	104
6	190	152
8	238	200

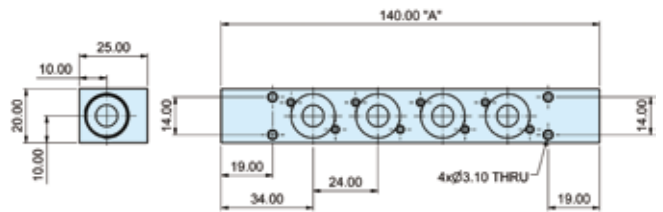
Manifold bar, P2LB



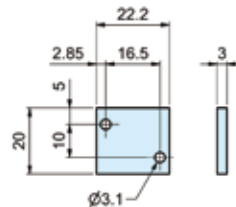
No. of valves	L mm
2	74
4	122
6	170
8	218
10	266



Pressure bar, P2LB



Blanking plug, P2LB



No. of valves	A mm
2	92
4	140
6	188
8	236
10	284

Miniature low voltage solenoid valves, ideal for powering small cylinders in the packaging and process industries. Metal bodies with stand alone or manifold mounted versions.



- 2 sizes: M5 and 1/8"
- Compact body with large flow
- Quick response time, faster than 10ms
- Expected life time more than 50,000,000 cycles
- Low power consumption only 0.6W
- Optional multipin connector manifold
- Manual override

Operating information	
Working pressure	: 1.5 to 7 bar
Working temperature	: -5°C to +50°C
Flow (Qmax)	A05 : 260 l/min A12 : 850 l/min
Flow Qn	A05 : 160 l/min A12 : 510 L/min
For more information see www.parker.com/euro_pneumatic	

Directional control valves A05R and A12R series, inline / IEM manifold

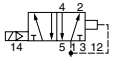
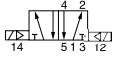
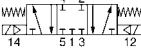
Symbol	Description (Electrically Actuated)	Voltage	Order code A05R - M5 ports	Order code A12R - G1/8 ports
	5/2 single solenoid	24V DC	A05RS251PM5MF	A12RS251PG1MF
	5/2 double solenoid	24V DC	A05RD251PM5MF	A12RD251PG1MF
	5/3 closed centre	24V DC	A05RD351PM5MF	A12RD351PG1MF

A05R/A12R Series Manifolds

Manifold for individual wiring threaded type


	No. of stations	Port size		Size	Order Code Manifold
		M5	G1/8		
	4	M5	A05	A05	MMFU4A05G
		G1/8	A12		MMFU4A12G
	6	M5	A05	A05	MMFU6A05G
		G1/8	A12		MMFU6A12G
	8	M5	A05	A05	MMFU8A05G
		G1/8	A12		MMFU8A12G

Directional control valves A05P/A12P series, sub-base version



Symbol	Description	Voltage	Order code A05P	Order code A12P
	Electrically actuated 5/2 single solenoid	24V DC	A05PS251P	A12PS251P
	Electrically actuated 5/2 double solenoid	24V DC	A05PD251P	A12PD251P
	Electrically actuated 5/3 closed centre	24V DC	A05PD351P	A12PD351P

A05P/A12P Series manifold sub-bases

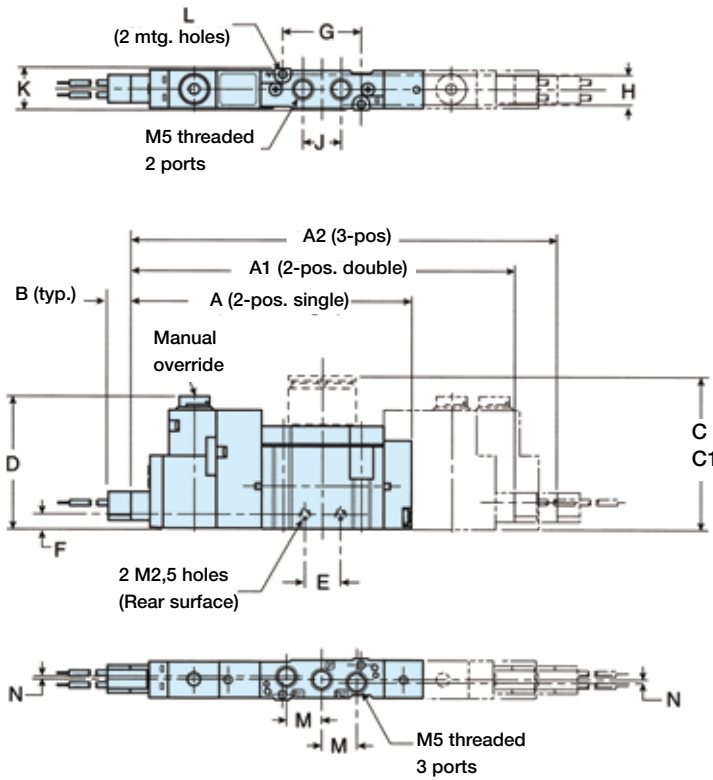
Manifolds individual wiring threaded type

	No. of stations	Port size	Size	Order Code Manifold
	4	M5	A05	MMFS4A05GM5
		G ¹ / ₈	A12	MMFS4A12GG1
	6	M5	A05	MMFS6A05GM5
		G ¹ / ₈	A12	MMFS6A12GG1
	8	M5	A05	MMFS8A05GM5
		G ¹ / ₈	A12	MMFS8A12GG1

Mounting and Wiring Accessories

	Description	Order code
	Connector with lead wire black (-) red (+) 500mm	A05PDCCL5
	IEM blank plate kit (pack of 5)	A05RGBP A12RGBP
	Subbase blank plate kit (pack of 5)	A05PGBP A12PGBP

A05R - Single and double operators - Body ported

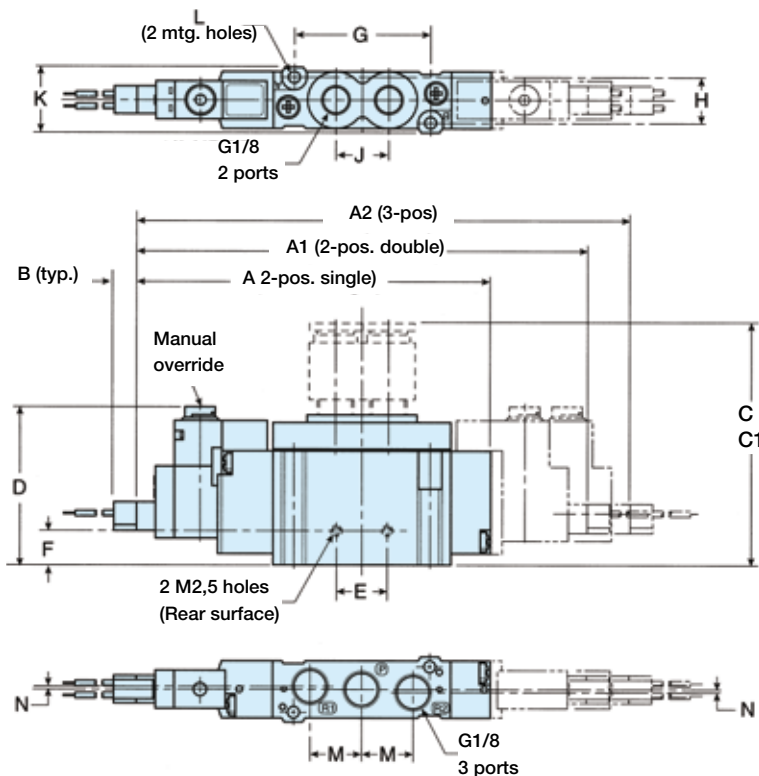


A05R - Body ported

A	A1	A2	B	C
74	100	108	6	-
C1	D	E	F	G
-	34,6	9,6	4	21
H	J	K	L	M
8,5	10,2	11,4	Ø2,1	9,5
N	1			

Dimensions in mm

A12R - Single and double operators - Body ported

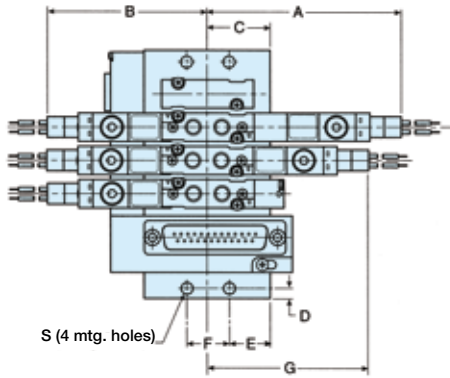


A12R - Body ported

A	A1	A2	B	C
93,5	119	130	6	-
C1	D	E	F	G
-	41,6	13,4	9	36
H	J	K	L	M
12	14	17,2	Ø3,1	13,6
N	0,8			

Dimensions in mm

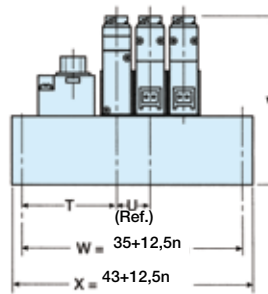
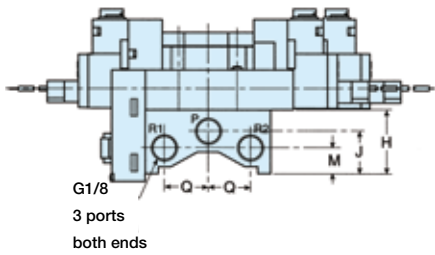
A05R - Manifold - Valve body ports



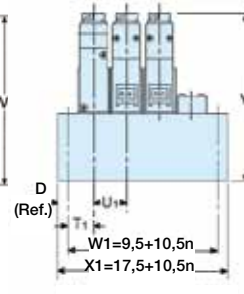
A05R - Manifold - valve body port

A	B	C	D	E
64	56	23,5	4	15,5
F	G	H	J	M
16	56	24	15,5	9,5
Q	S	T	T1	U
16	Ø4,5	34	10	12,5
U1	V			
10,5	63			

Dimensions in mm



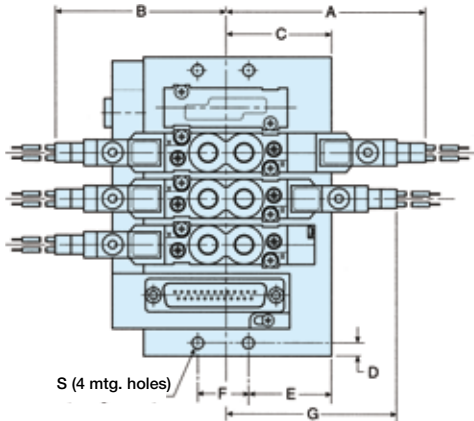
MMCU...



MMFU...

n = number of stations

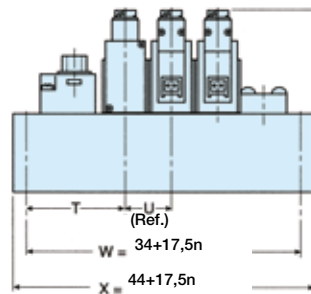
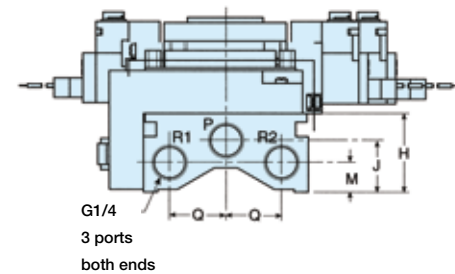
A12R - Manifold - Valve body ports



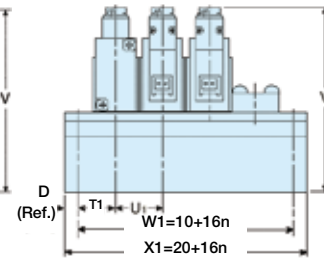
A12R - Manifold - valve body port

A	B	C	D	E
77	66	29	5	19,2
F	G	H	J	M
19,6	66	27,5	18	10,5
Q	S	T	T1	U
19,5	Ø4,5	37,5	12,2	17,5
U1	V			
16	70			

Dimensions in mm



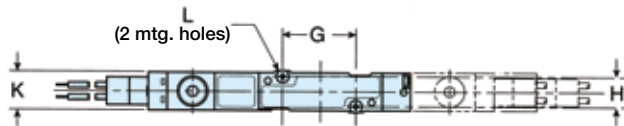
MMCU...



MMFU...

n = number of stations

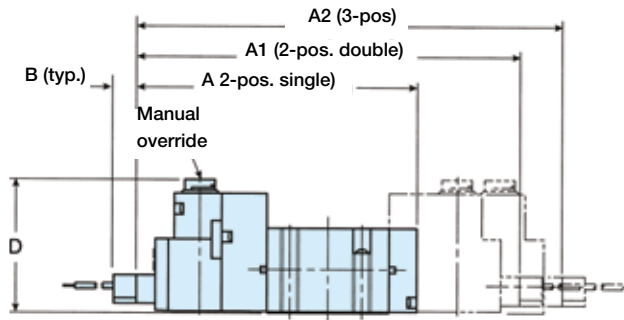
A05P - Single and double operators - Subbase



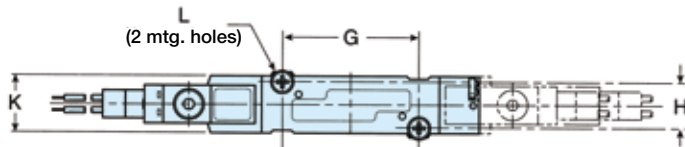
A05P - Subbase

A	A1	A2	B	D
74	100	108	6	35,1
G	H	K	L	
19	8,5	10	Ø2,1	

Dimensions in mm



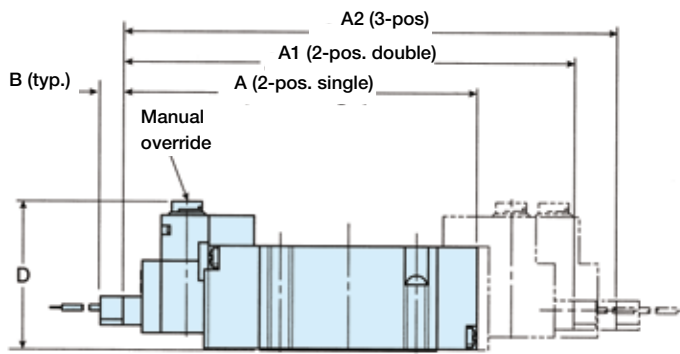
A12P - Single and double operators - Subbase



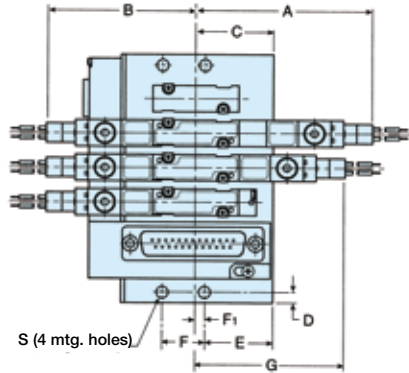
A12P - Subbase

A	A1	A2	B	D
93,5	119	130	6	39,1
G	H	K	L	
34	12	15	Ø3,1	

Dimensions in mm



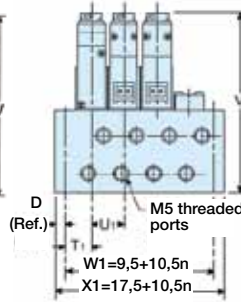
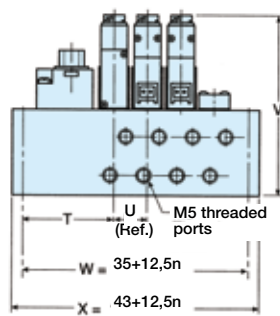
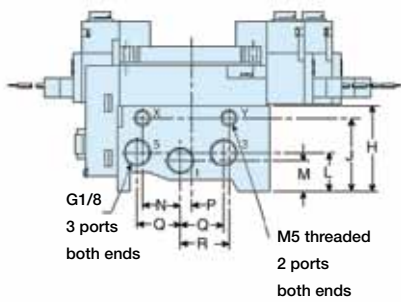
A05P - Manifold - Side ports



A05P - Manifold - Side ports

A	B	C	D	E
64	56	30,2	4	25,5
F	F1	G	H	J
16	4,7	56	32	28
L	M	N	P	Q
14,5	11,5	14	3	16
R	S	T	T1	U
18	Ø4,5	33,8	10	12,5
U1	V			
10,5	67			

Dimensions in mm

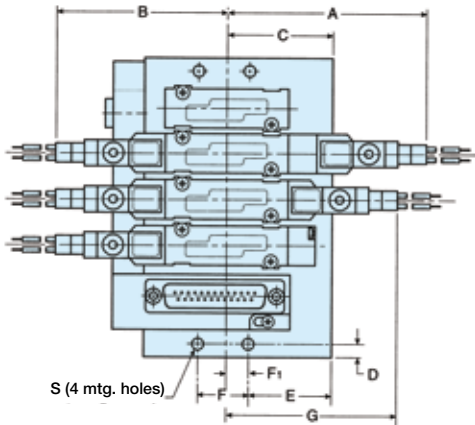


n = number of stations

MMCS...

MMFS...

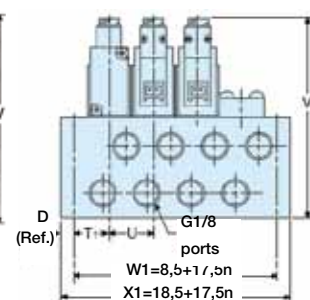
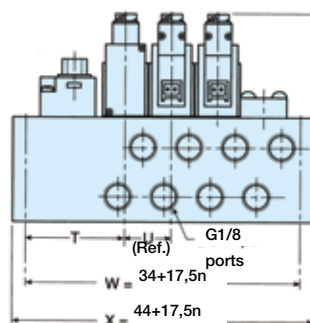
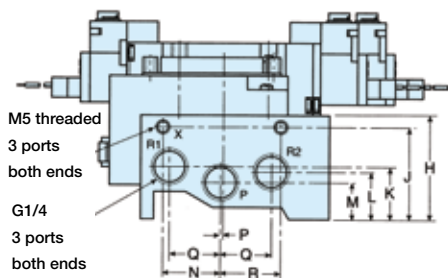
A12P - Manifolds - Side ports



A12P - Manifold - Side ports

A	B	C	D	E
77	66	40,4	5	31,7
F	F1	G	H	J
19,6	11	66	39,5	35
K	L	M	N	P
20,5	18	14	22	1
Q	R	S	T	T1
19,5	23	Ø4,5	37,2	12,7
U	V			
17,5	79			

Dimensions in mm



n = number of stations

MMCS...

MMFS...

The compact design of these valves make them a popular choice for manual or mechanical operation and their modular construction permit different operators to be fitted to the actuator and return assemblies.

The Midget and Intermediate valves are designed to have balanced forces across the spool so that 3/2 valves can be piped normally open or normally closed by changing the inlet supply from port 1 to port 3.



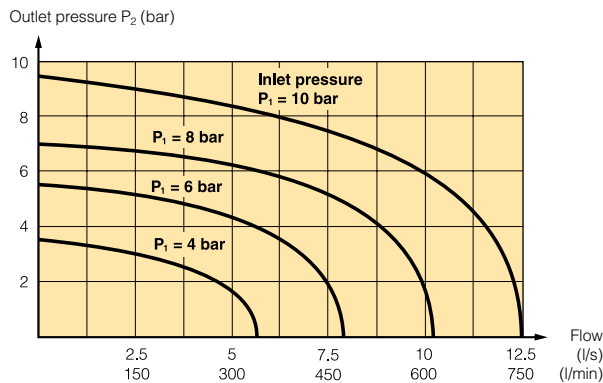
- B 43 - 1/8" ported, B53 - 1/4 ported
- Manual and mechanical operation
- Stainless steel spools
- Viton seals
- 3/2, 5/2, 3/3 and 5/3 versions.
- Integral mounting holes

Operating information		Material specification	
Type	Spool valves	Valve body	Aluminium
Style	Body ported	Spool	Stainless steel
Port size	G1/8 & G1/4	Seal spacers	Zinc die cast
Mounting	Any plane	Seals	Viton
Pressure range	Vacuum to 10 bar	Spring housing	Nylon
Temperature range	-10°C to +80°C	Spring	Zinc plated
Flow acc. (to ISO 6358)		End covers	Zinc die cast
	Midget B43 series	Actuators	Zinc die cast
	Intermediate B53 series	End cover screws	Zinc plated
	c = 1.13 NI/s x bar		
	c = 3.69 NI/s x bar		
	b = 0.36		
	b = 0.33		
	Qn = 5.5 l/s		
	Qn = 17.5 l/s		
	Qmax = 9.0 l/s		
	Qmax = 29 l/s		
	Cv = 0.24		
	Cv = 1.02		
		Working medium, air quality	
		Working medium:	Dry, filtered compressed air to ISO 8573-1 class 3.4.3.

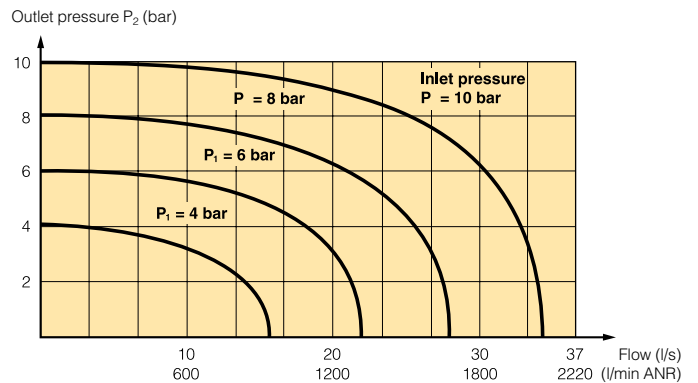
Flow characteristics

Flow capacities in accordance with ISO 6358
The flow curves shown below are typical.

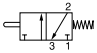
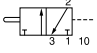
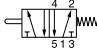
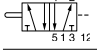
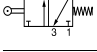
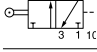
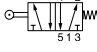
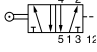
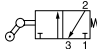
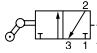
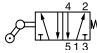
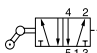
Midget B43 series valves



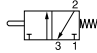
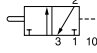
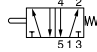
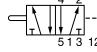

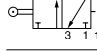
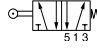
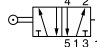
Intermediate B53 series valves



**Midget mechanically operated valves,
B43 series - G1/8**

Symbol	Type	Actuator Button	Return	Operating force at 6 bar, N	Order code
	3/2	Plunger	Spring	36	B43003CS
	3/2	Plunger	Air	14	B43003CP
	5/2	Plunger	Spring	36	B43004CS
	5/2	Plunger	Air	14	B43004CP
	3/2	Roller	Spring Lever	20	B43003RS
	3/2	Roller Lever	Air	7	B43003RP
	5/2	Roller Lever	Spring	20	B43004RS
	5/2	Roller Lever	Air	7	B43004RP
	3/2	One way lever	Spring	20	B43003RTS
	3/2	One way roller lever	Air	7	B43003RTP
	5/2	One way roller lever	Spring	20	B43004RTS
	5/2	One way roller lever	Air	7	B43004RTP

**Intermediate mechanically operated valves,
B53 series - G1/4**

Symbol	Type	Actuator Button	Return	Operating force at 6 bar, N	Order code
	3/2	Plunger	Spring	53	B53003CS
	3/2	Plunger	Air	27	B53003CP
	5/2	Plunger	Spring	53	B53004CS
	5/2	Plunger	Air	27	B53004CP
	3/2	Roller	Spring	53	B53003RS
	3/2	Roller	Air	27	B53003RP
	5/2	Roller	Spring	53	B53004RS
	5/2	Roller	Air	27	B53004RP

**Midget manually operated valves,
B43 series - G1/8**

Symbol	Type	Actuator Button	Return	Operating force at 6 bar, N	Order code
	3/2	Black	Spring	36	B43003BXS
	3/2	Black	Button	13	B43003HXS
	5/2	Black	Spring	36	B43004BXS
	5/2	Black	Button	13	B43004HXS
	3/2	Black	Air	13	B43003BXP
	3/2	Black	Air or Button	13	B43003HXP
	5/2	Black	Air	13	B43004BXP
	5/2	Black	Air or Button	13	B43004XHP
	3/2	Lock down lever	Spring	9	B43003LS
	3/2	Lock down lever	Spring	9	B43004LS
	3/2	Lock down lever	Air	3	B43003LP
	3/2	Lock down lever	Air	3	B43004LP

**Intermediate manually operated valves,
B53 series - G1/4**

Symbol	Type	Actuator Button	Return	Operating force at 6 bar, N	Order code
	3/2	Black	Spring	53	B53003HXS
	3/2	Black	Button	27	B53003HX
	3/2	Black	Air	27	B53003HXP
	5/2	Black	Spring	53	B53004HXS
	5/2	Black	Button	27	B53004HX
	5/2	Black	Air	27	B53004HXP
	5/3	Button closed centre position	Button self centring	13	B53005HXX
	5/3	Button vented centre position	Air self centring	13	B53004HXY
	5/3	Button pressurised centre position	Air self centring	13	B53004HXZ

Intermediate lever operated valve, B53 series - G1/4

Symbol	Type	Actuator Button	Return	Operating force at 6 bar, N	Order code
	3/2	Lever	Spring	14	B53003LS
	3/2	Lever	Air	9	B53003LP
	3/2	Lever	Lever	9	B53003LT
	3/3	Lever closed centre position	Lever	9	B53003L
	3/3	Lever closed centre position	Lever self centring	14	B53003LX
	5/2	Lever	Spring	14	B53004LS
	5/2	Lever	Air	14	B53004LP
	5/2	Lever	Lever	14	B53004LT
	5/3	Lever closed centre position	Lever held in three positions	9	B53004L
	5/3	Lever vented centre position	Lever held in three positions	9	B53004LW
	5/3	Lever pressurised centre position	Lever held in three positions	9	B53004LN
	5/3	Lever closed centre position	Lever self centring	14	B53004LX
	5/3	Lever vented centre position	Lever self centring	14	B53004LY
	5/3	Lever pressurised centre position	Lever self centring	14	B53004LZ

Mounting kit



Panel mounting kit **M53004L-10A**
 Kit includes panel plate and M5 counter sunk head screws

Midget foot operated valves, B43 series - G1/8

Symbol	Type	Actuator Button	Return	Operating force at 6 bar, N	Order code
	3/2	Foot pedal	Spring	16	B43003FS
	5/2	Foot pedal	Spring	16	B43004FS

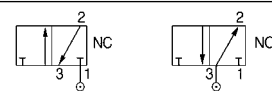
Intermediate foot operated valves, B53 series - G1/4

Symbol	Type	Actuator Button	Return	Operating force at 6 bar, N	Order code
Single pedal operated					
	3/2	Foot pedal	Spring	95	B53003FS
	5/2	Foot pedal	Spring	95	B53004FS
Rocker pedal operated					
	3/2	Foot pedal	Foot pedal	18	B53003G
	5/2	Foot pedal	Foot pedal	18	B53004G
	5/3	Foot pedal closed centre position	Foot pedal self centring	18	B53004GX
	5/3	Foot pedal vented centre position	Foot pedal self centring	18	B53004GY
	5/3	Foot pedal pressurised centre position	Foot pedal self centring	18	B53004GZ

Accessories



Foot guard kit **3117**



All 3/2 type B43 & B5/3 valves can be connected either as normally closed 3/2 valve (NC) or normally open 3/2 valve (NO) as required, by connecting the primary air supply to port 1 or port 3

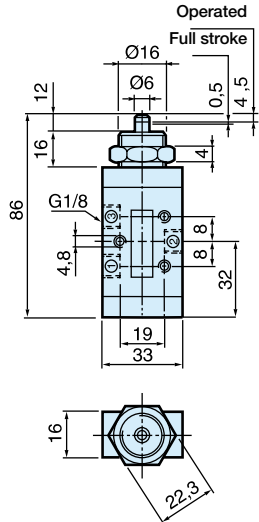
Dimensions, G1/8 ported spool valves

All dimensions in mm unless otherwise stated

Mechanically operated valves

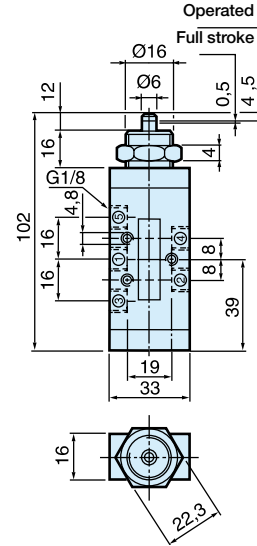
3/2 valves

Plunger operated spring return



5/2 valves

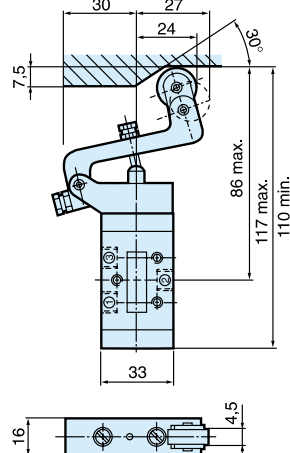
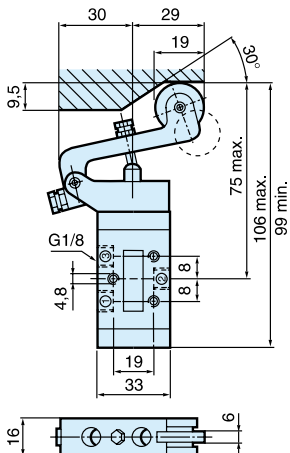
Plunger operated spring return



3/2 valves

Roller operated spring return

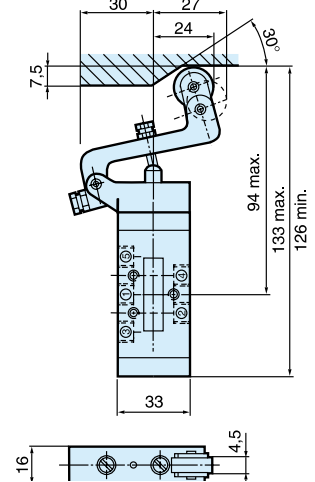
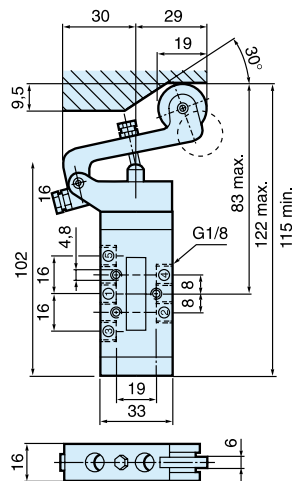
One way roller trip operate spring return



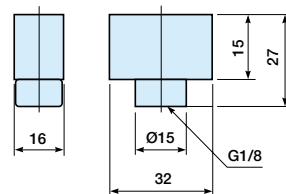
5/2 valves

Roller operated spring return

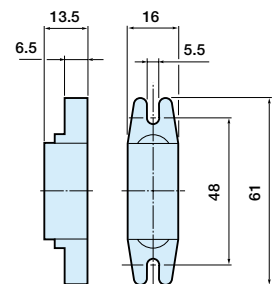
One way roller trip operate spring return



Air Pilot Return



Optional foot mounted - Spring return housing



Dimensions, G1/8 ported spool valves

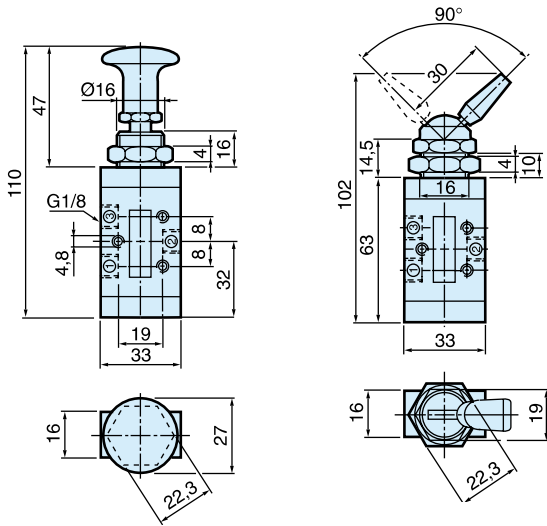
All dimensions in mm unless otherwise stated

Manually operated valves

3/2 valves

Button operated spring return or button returned

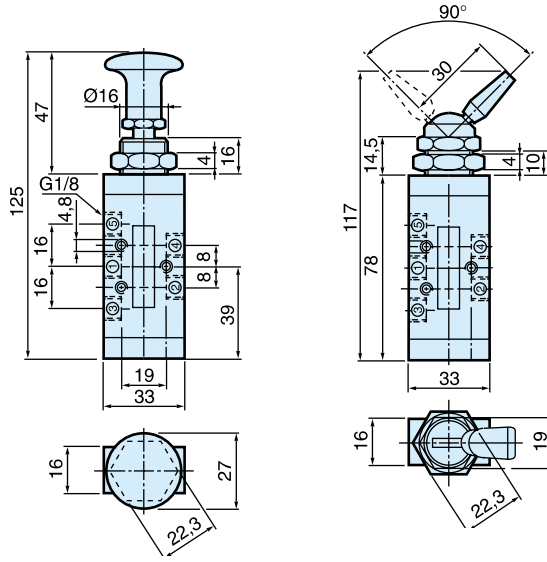
Lock down lever operated spring return



5/2 valves

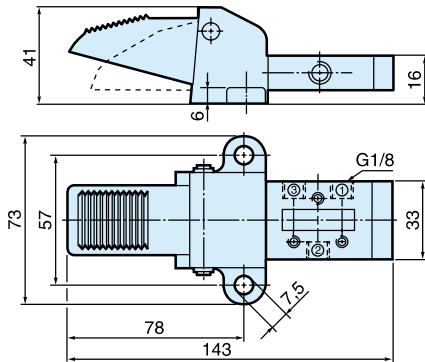
Button operated spring return or button returned

Lock down lever operated spring return



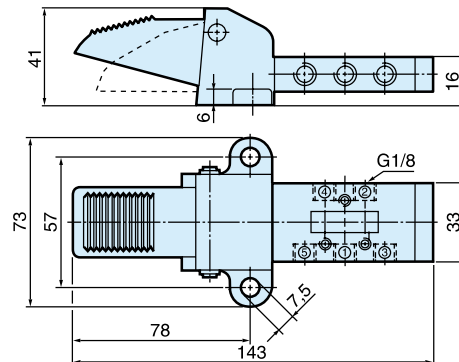
3/2 valves

Foot pedal operated spring return

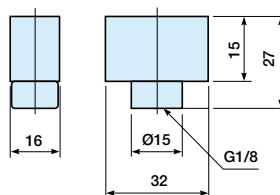


5/2 valves

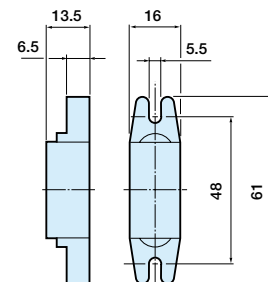
Foot pedal operated spring return



Air Pilot Return



Optional foot mounted - Spring return housing



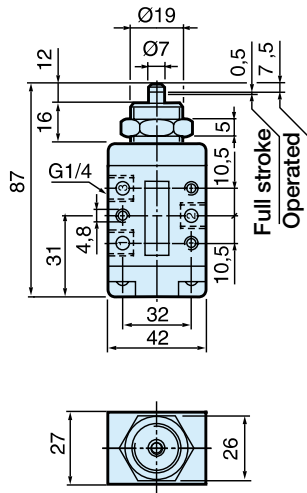
Dimensions, G1/4 ported spool valves

All dimensions in mm unless otherwise stated

Mechanically operated valves

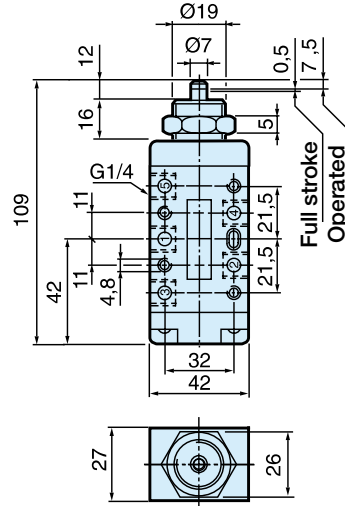
3/2 valves

Plunger operated spring return



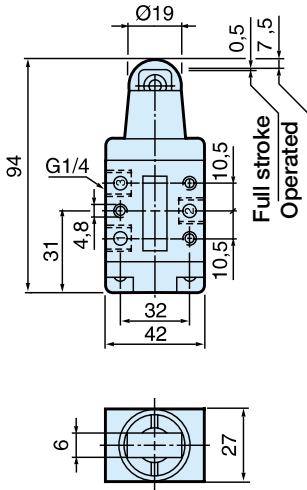
5/2 valves

Plunger operated spring return



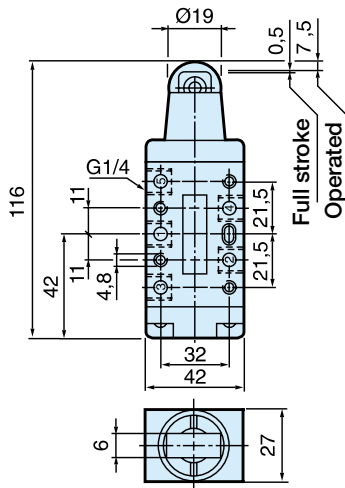
3/2 valves

Roller operated spring return

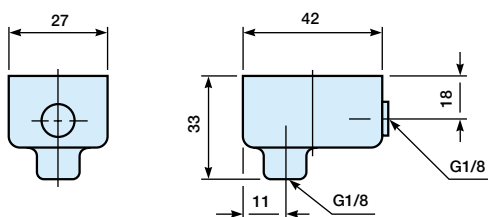


5/2 valves

Roller operated spring return



Air Pilot Return



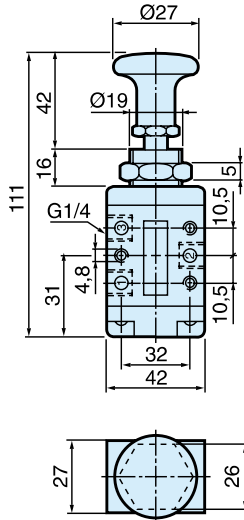
Dimensions, G1/4 ported spool valves

All dimensions in mm unless otherwise stated

Manually operated valves

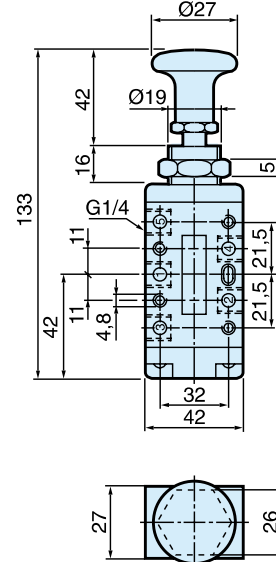
3/2 valves

Button operated spring return or button returned



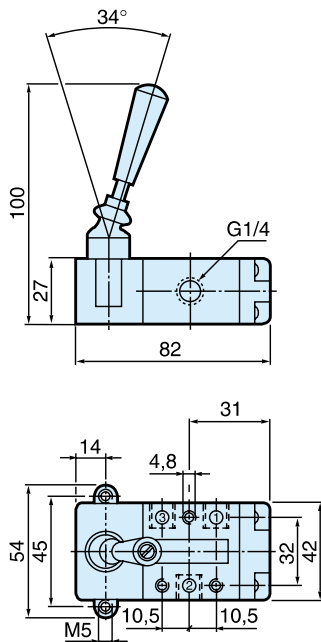
5/2 valves

Button operated spring return or button returned



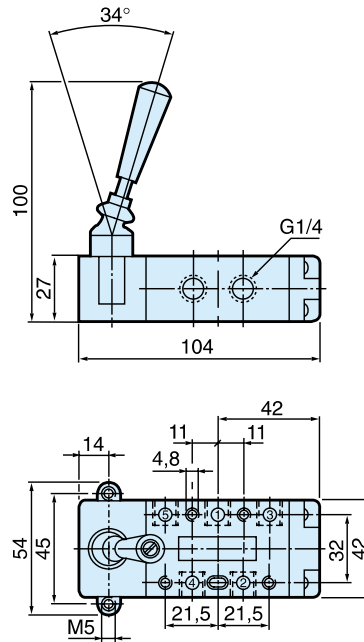
3/2 valves

Lever operated

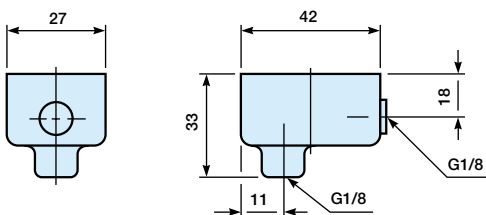


5/2 valves

Lever operated



Air Pilot Return



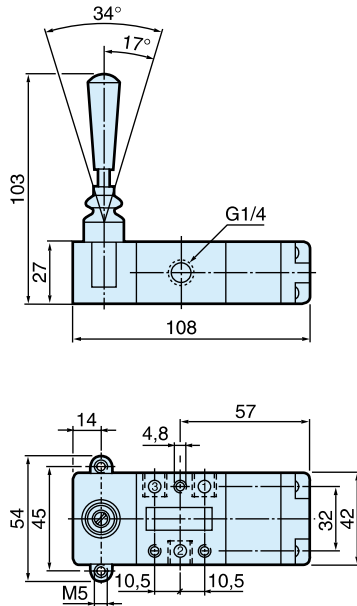
Dimensions, G1/4 ported spool valves

All dimensions in mm unless otherwise stated

Manually operated valves

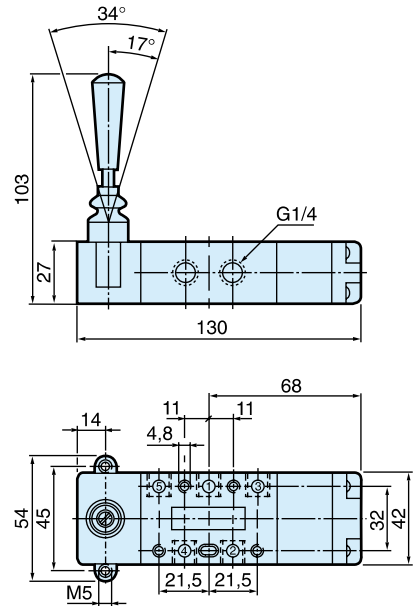
3/3 valves (Self centring)

Lever operated



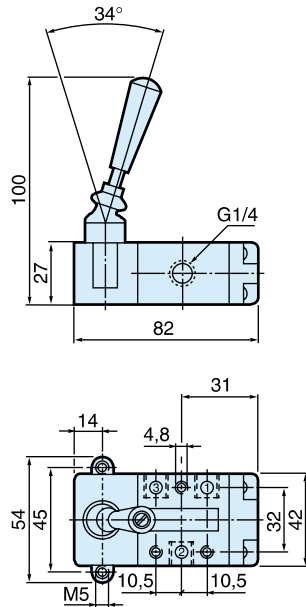
5/3 valves (Self centring)

Lever operated



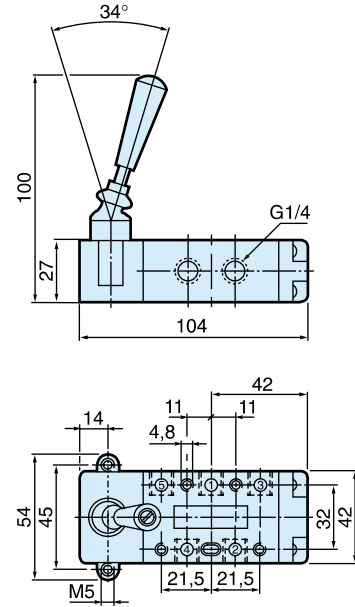
3/3 valves (3 positions)

Lever operated

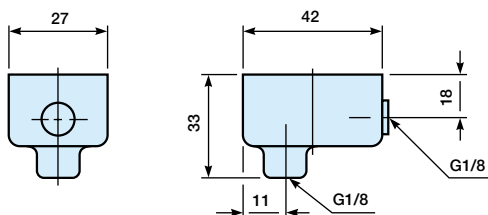


5/3 valves (3 positions)

Lever operated



Air Pilot Return



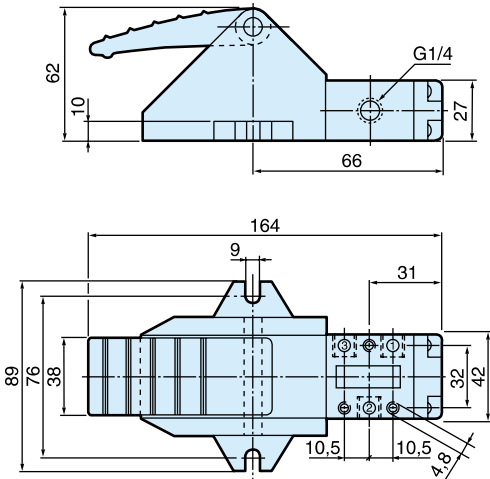
Dimensions, G1/4 ported spool valves

All dimensions in mm unless otherwise stated

Manually operated valves

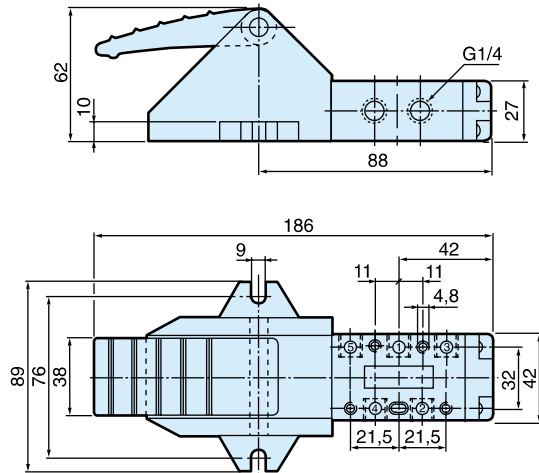
3/2 valves

Foot pedal operated spring return



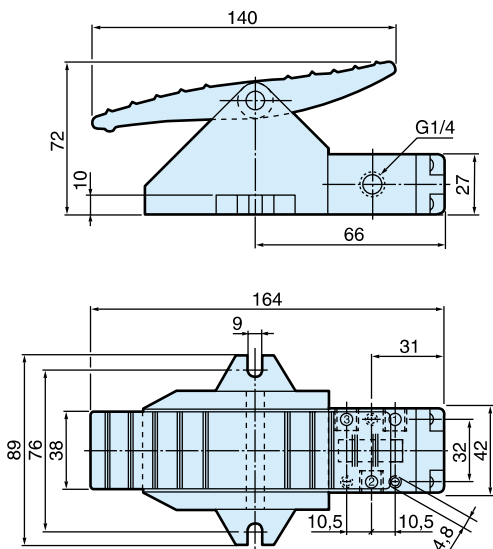
5/2 valves

Foot pedal operated spring return



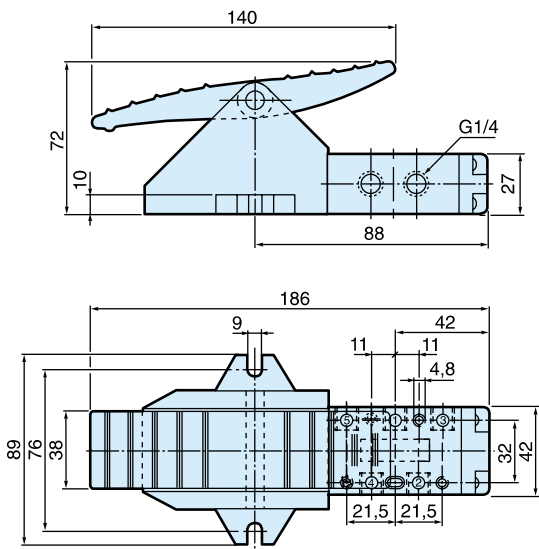
3/2 valves

Foot pedal operated



5/2 valves

Foot pedal operated



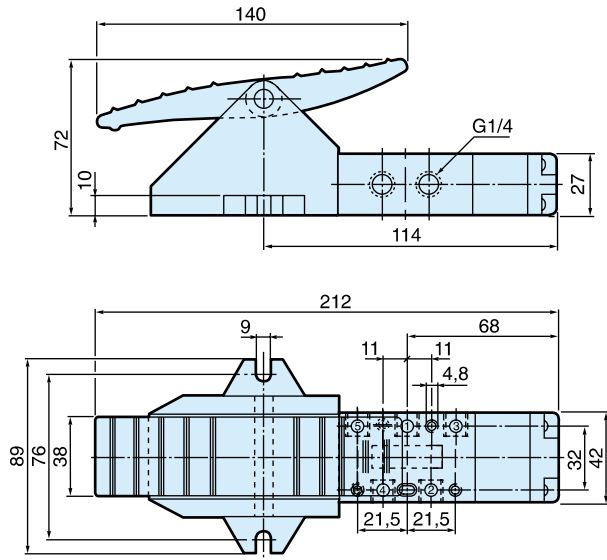
Dimensions, G1/4 ported spool valves

All dimensions in mm unless otherwise stated

Manually operated valves

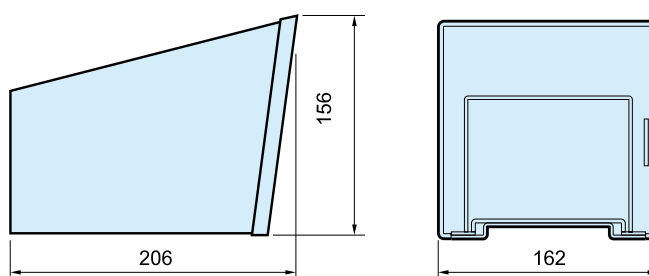
5/3 valves

Foot pedal operated



Foot guard kit

3117



Service and Replacement Parts

B43 Series Manually Operated Valves

Order code	Actuator	Replacement actuator	Repair kit
B43003BXS	Button	43004BX-100	
B43004BXS	Button		
B43004HXS	Button, Push/Pull	43004H-100	Body seal 43007A
B43003LS	Lockdown lever	43004L-200	
B43004LS	Lockdown lever		



B53 Series Manually Operated Valves

Order code	Actuator	Replacement actuator	Repair kit
B53003HXS	Button		
B53004HXS	Button		
B53003HX	Button, Push/Pull		
B53004HX	Button, Push/Pull	53004HX-100	Body seal 53007
B53004HXX	Button, Self centring		
B53004HXY	Button, Self centring		
B53004HXZ	Button, Self centring		
B53003FS	Foot	53004F-100	
B53004FS	Foot		
B53003LS	Lever	53004L-198	
B53004LS	Lever		
B53003LT	Lever, 2 positions	53004L-196	Body seal 53007
B53004LT	Lever, 2 positions		
B53004L	Lever, 3 positions	53004L-100	Lever kit 53004L-300R
B53004LW	Lever, 3 positions		
B53004LX	Lever, Self centring	53004L-198	
B53004LY	Lever, Self centring		



B43 Series Mechanically Operated Valves

Order code	Actuator	Replacement actuator	Repair kit
B43003CS	Plunger	43004C-100	
B43004CS	Plunger		Body seal 43007A
B43003RS	Roller Lever	43004R-200	
B43004RS	Roller Lever		



B53 Series Mechanically Operated Valves

Order code	Actuator	Replacement actuator	Repair kit
B53003CS	Plunger	53004C-100	
B53004CS	Plunger		Body seal 53007
B53003RS	Roller	53004R-100	
B53004RS	Roller		



Rugged brass bodies with excellent corrosion resistance make these valves the ideal choice for arduous applications. Large and robust manual actuators are available together with air pilot actuators.



- Rugged valves for heavy duty applications
- Large and robust actuators for easy operation
- Excellent corrosion resistance
- Integral mounting holes
- Panel mounting versions

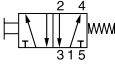
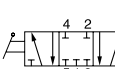
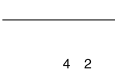
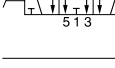
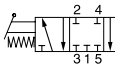
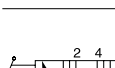

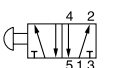
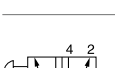
Operating information	
Working temperature	-40 °C to +70 °C
Working pressure	Max 10 bar
Flow (Qmax):	380 l/min
For more information see www.parker.com/euro_pneumatic	

Push button valves, VA13 Series - G¹/₈

Symbol	Actuator	Return	Operating force at 6 bar, N	Mounting	Order code
Hand actuated					
	Flush-Push button, red	Spring	32,5	Panel	VA13-HIS4
	Flush-Push button, black	Spring	32,5	Panel	VA13-HIS4A06
	Hand lever Held in two positions	Hand lever	8	Panel	VA13-HB24
	Hand lever Held in two positions	Hand lever	8	Side	VA13-HB2
	Button, red Two positions	Button	3	Panel	VA13-KL24
	Button, red	Spring	31,5	Panel	VA13-KS4
	Button, red Two positions	Button	3	Side	VA13-KL2
	Button, red	Spring	31,5	Side	VA13-KS
	Button, red Two positions	Knob/ Air signal	6	Side	VA13-KL2A

		All 3/2 type VA13 valves can be connected either as normally closed 3/2 valve (NC) or normally open 3/2 valve (NO) as required, by connecting the primary air supply to port 1 or port 3
--	--	--

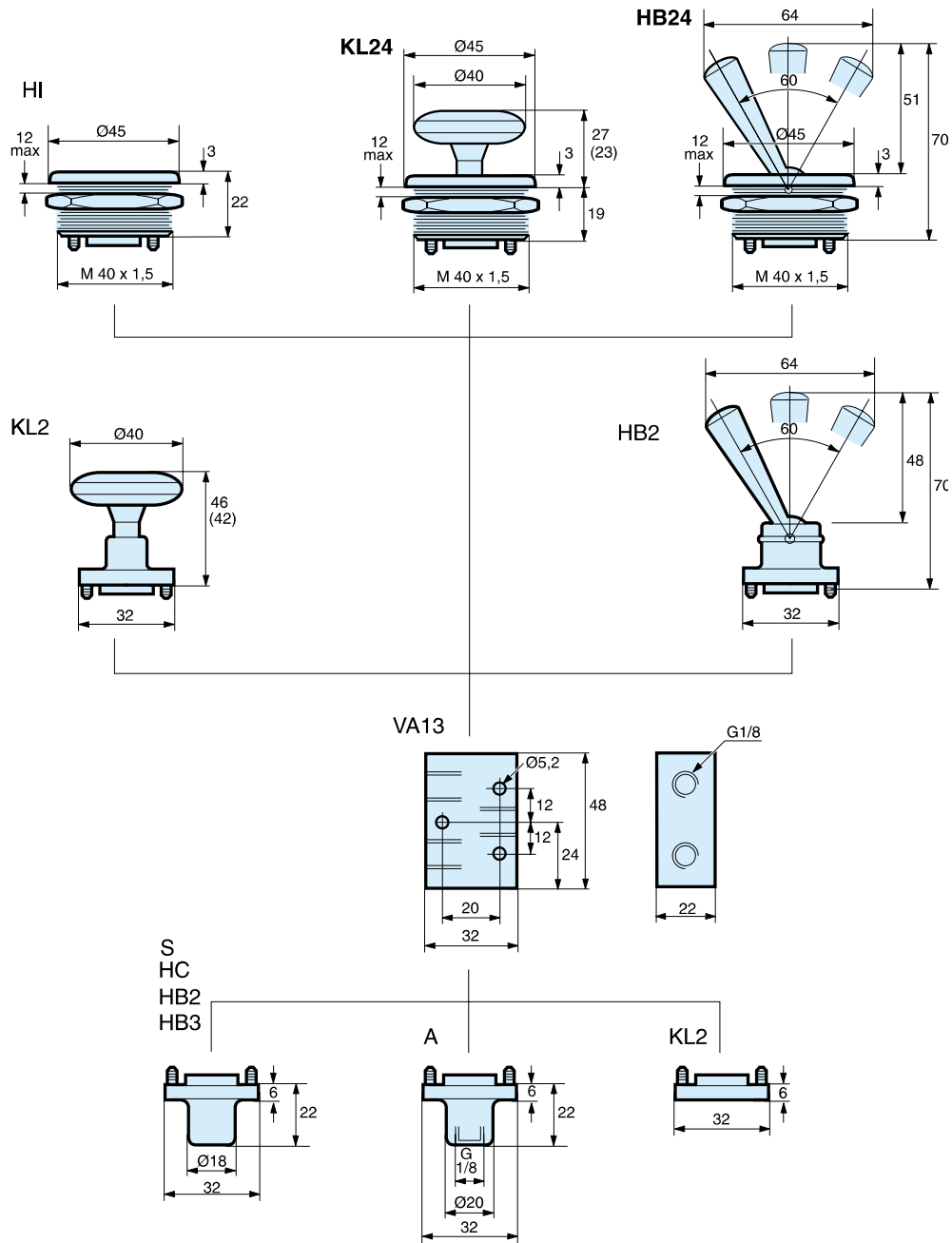
Push button valves, VA15 Series - G¹/₈ connection

Symbol	Actuator	Return	Operating force at 6 bar, N	Mounting	Order code
Hand actuated					
	Flush-Push button, red	Spring	34,5	Panel	VA15-HIS4
	Hand lever Held in two positions	Hand lever	9	Panel	VA15-HB24
	Hand lever Held in three positions Closed centre position	Hand lever	9	Panel	VA15-HB34
	Hand lever Held in three positions Vented centre position	Hand lever	9	Panel	VA15-XHB34
	Hand lever Three positions Closed centre position	Hand lever	9	Panel	VA15-HC4
	Hand lever Three positions Vented centre position	Hand lever Self centring	9	Panel	VA15-XHC4
	Hand lever Held in two positions	Hand lever	9	Side	VA15-HB2
	Button, red Two positions	Button	5	Panel	VA15-KL24
	Button, red Two positions	Button	5	Side	VA15-KL2
	Air signal	Air signal	3/3	Side	VA15-AA
	Air signal	Spring	4/-	Side	VA15-AS

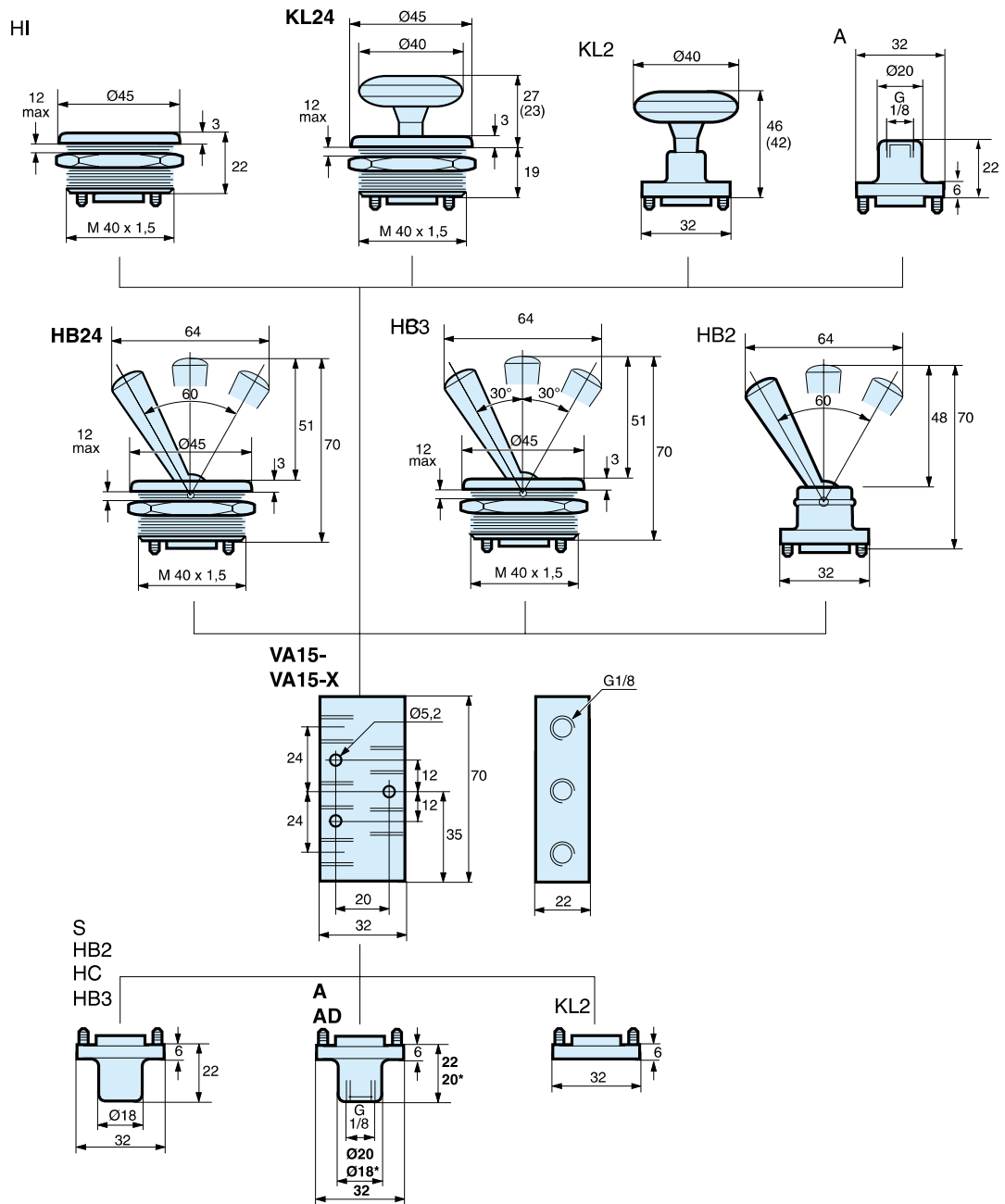
Accessories for VA13/15HI... Series valves

	Description	Order code
 <p>Diaphragm</p> <p>Mounting ring</p>	Diaphragm, black	9127359331
	Diaphragm, yellow	9127359332
	Mounting ring	9127359334

Dimensions



Dimensions



**Heavy duty poppet valves
2/2 & 3/2 - G^{3/8}" & G^{1/2}"**

These valves use the well proven poppet principle to give high flow rates with short valve travel, both the 2/2 and 3/2 valves in the range are available in G3/8" and G1/2" port sizes. This means that each actuator is available in four configurations i.e. 3/8" ports 2/2 or 3/2 and G1/2" ports 2/2 or 3/2. All valves are normally closed.

The bodies are of block form construction for ease of mounting. Springs are stainless steel; internal seals being of nitrile rubber.

The 2/2 body allows air in one direction only, 3/2 versions having the facility of exhausting air through the actuator unit. This exhaust vent is unthreaded on all valves except the pilot and solenoid types which allows the piping away of exhaust air.

All mechanisms are spring returned.



Operating information		Material specification													
Working pressure	0 - 10 bar	Body	Zinc die cast												
Working temperature	-10°C to +80°C	Roller	Zinc plated steel												
Solenoid version	-10°C to +50°C	Mechanical arm	Zinc plated steel												
Minimum pilot pressure	1.9 bar @ 6 bar supply	Poppet	Stainless steel												
Response time (solenoid energised)	14 msecs	Seals	Nitrile												
Response time (solenoid de-energised)	75 msecs	Spring	Stainless steel												
Flow capacities in accordance with ISO6358		Bush	Aluminium												
		Piston	Aluminium												
Flow;	<table border="0"> <tr> <td>B102-B103</td> <td>B202-B203</td> </tr> <tr> <td>C = 7,54</td> <td>C = 10,75 NI/s x bar</td> </tr> <tr> <td>b = 0,29</td> <td>b = 0,24</td> </tr> <tr> <td>Qn = 33 l/s</td> <td>Qn = 43 l/s</td> </tr> <tr> <td>Qmax = 54 l/s</td> <td>Qmax = 75 l/s</td> </tr> <tr> <td>Cv = 2,65</td> <td>Cv = 3,20</td> </tr> </table>	B102-B103	B202-B203	C = 7,54	C = 10,75 NI/s x bar	b = 0,29	b = 0,24	Qn = 33 l/s	Qn = 43 l/s	Qmax = 54 l/s	Qmax = 75 l/s	Cv = 2,65	Cv = 3,20		
B102-B103	B202-B203														
C = 7,54	C = 10,75 NI/s x bar														
b = 0,29	b = 0,24														
Qn = 33 l/s	Qn = 43 l/s														
Qmax = 54 l/s	Qmax = 75 l/s														
Cv = 2,65	Cv = 3,20														

Working medium, air quality

Working medium: Dry, filtered compressed air to ISO 8573-1 class 3.4.3.

Recommended air quality for valves

For best possible service life and trouble free operation, ISO 8573-1 quality class 3.4.3 should be used. This means 5µm filter (standard filter) dew point +3°C for indoor operation (a lower dew point should be selected for outdoor operation) and oil concentration 1.0 mg oil/m³, which is what a standard compressor with a standard filter gives.

ISO 8573-1 quality classes

Quality class	Pollution		Water max. press. dew point (°C)	Oil max. concentration (mg/m ³)
	particle size (µm)	max. concentration (mg/m ³)		
1	0,1	0,1	-70	0,01
2	1	1	-40	0,1
3	5	5	-20	1,0
4	15	8	+3	5,0
5	40	10	+7	25
6	-	-	+10	-

Part number configurator for solenoid valves

DB Valve family
DB HD poppet solenoid operated

1 Thread port
1 3/8 BSP
2 1/2 BSP

2 Air supply to solenoid
2 Internal

2 Function
2 2/2 NC
3 3/2 NC

A Overrides
A None
C Flush - Locking
D Extended - non locking

4 Voltage ¹

	AC		DC
	60Hz	50Hz	
40	12		
42	24	22	
45			12
49			24
53	120	110	
57	240	230	
XX	valve less solenoid/coil		

¹ Shaded part numbers are standard
Unshaded part numbers are available on request but will be subject to minimum order quantities
Otherwise order XX version and order coil separately.

Part number configurator for manual & mechanical operated poppet valves

B Valve family
B HD poppet manual & mechanical

1 Thread port
1 3/8 BSP
2 1/2 BSP

0 Thread port
1 3/8 BSP
2 1/2 BSP

2 Function
2 2/2 NC
3 3/2 NC

P Operator
C Ball
L Lever
P Pilot pressure
R Roller lever

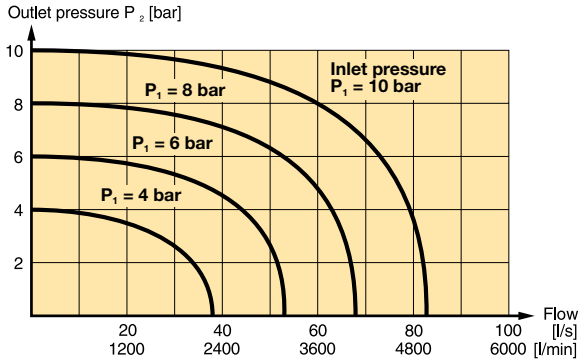
Flow characteristics

Flow capacities in accordance with ISO6358

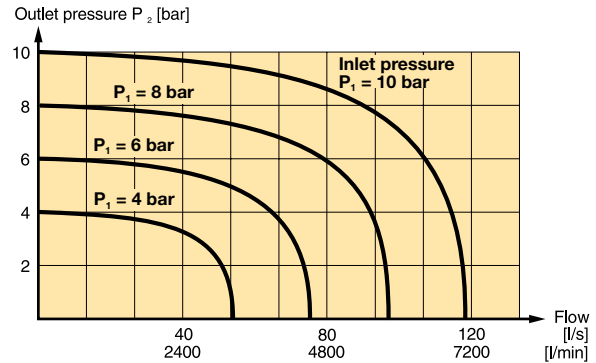
Flow measured with valve on manifold

All pressures = effective pressure

B102



B202



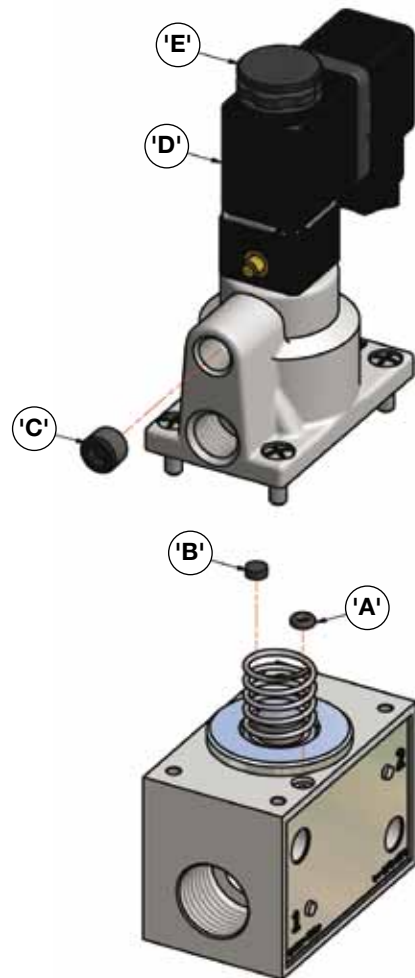
Electrical Information

Power consumption	Inrush	Hold
	AC VA	8.5VA
	DC 4.8 Watt	
Rating	100% continuous	
Isolation class	F	
Protection class	IP 65 (P 54) DIN 40 050	
Connection	DIN 43 650 Form B	
Solenoid response	milliseconds at 7 bar	

External pilot supply option

Solenoid pilot operated valves have an internal pilot air supply, but provisions for external pilot supply is provided. To use with external supply interchange 'O'-ring (Item 'A') and Plug (Item 'B') to block off the internal pilot supply. Remove hexagon socket plug (Item 'C') from the external pilot supply port, connecting an air supply as desired.

Orientation of the solenoid coil (Item 'D') can be altered through 90° increments by loosening the diffuser nut (Item 'E').



Main data for mechanically operated valves, Heavy duty poppet series (NC only)

Symbol	Type	Connection	Actuator	Return	Operating force at 6 bar, N	Weight Kg	Order code
	2/2	G3/8	Solenoid pilot	Spring	24VDC Less solenoid	0.70 0.65	DB122A49 DB122AXX
	3/2	G3/8	Solenoid pilot	Spring	24VDC Less solenoid	0.70 0.65	DB123A49 DB123AXX
	2/2	G1/2	Solenoid pilot	Spring	24VDC Less solenoid	0.70 0.65	DB222A49 DB222AXX
	3/2	G1/2	Solenoid pilot	Spring	24VDC Less solenoid	0.70 0.65	DB223A49 DB223AXX
	2/2	G3/8	Air pilot	Spring		0.61	B102P
	3/2	G3/8	Air pilot	Spring		0.61	B103P
	2/2	G1/2	Air pilot	Spring		0.61	B202P
	3/2	G1/2	Air pilot	Spring		0.61	B203P

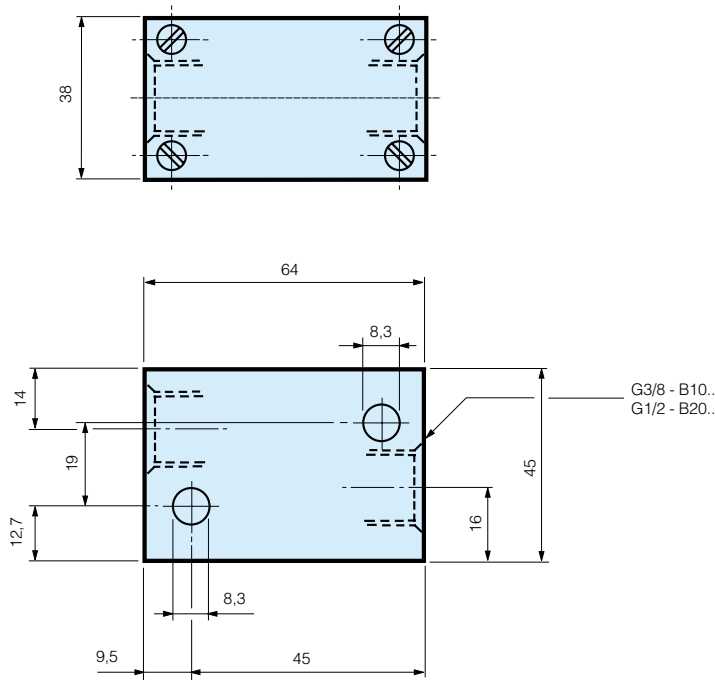
Order electrical connectors for solenoids separately.

Main data for mechanically operated valves, Heavy duty poppet series (NC only)

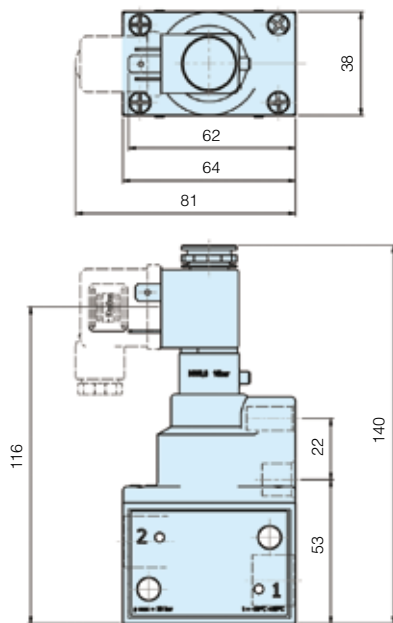
Symbol	Type	Connection	Actuator	Return	Operating force at 6 bar, N	Weight Kg	Order code
	2/2	G3/8	Lever	Lever	22	0.65	B102L
	3/2	G3/8	Lock down	Lever lever	22	0.65	B103L
	2/2	G1/2	Lock down	Lever lever	22	0.65	B202L
	3/2	G1/2	Lock down	Lever lever	22	0.65	B203L
	2/2	G3/8	Roller lever	Spring	36	0.642	B102R
	3/2	G3/8	Roller lever	Spring	36	0.630	B103R
	2/2	G1/2	Roller lever	Spring	36	0.614	B202R
	3/2	G1/2	Roller lever	Spring	36	0.604	B203R
	2/2	G3/8	Ball	Spring	220	0.542	B102C
	3/2	G3/8	Ball	Spring	220	0.532	B103C
	2/2	G1/2	Ball	Spring	220	0.530	B202C
	3/2	G1/2	Ball	Spring	220	0.520	B203C

Mechanically operated valves - 2/2, 3/2 valves

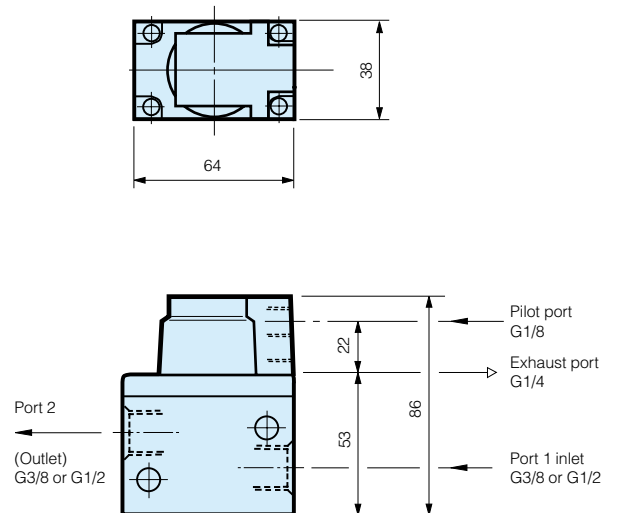
Basic body dimensions



Solenoid pilot operated spring return
 DB122, DB123, DB222, DB223



Air pilot operated spring return
 B102P, B103P, B202P, B203P

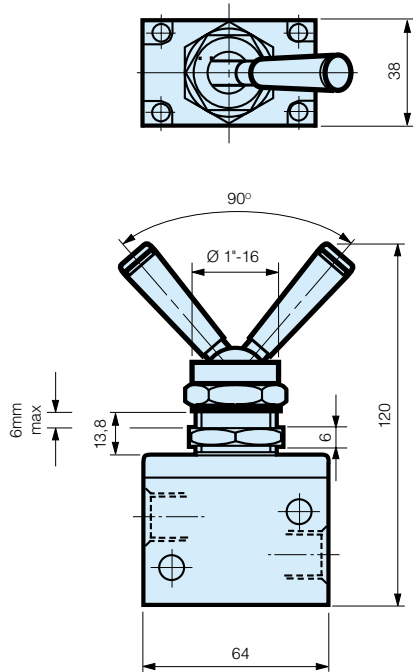


All dimensions in mm unless otherwise stated

Mechanically operated valves - 2/2, 3/2 valves

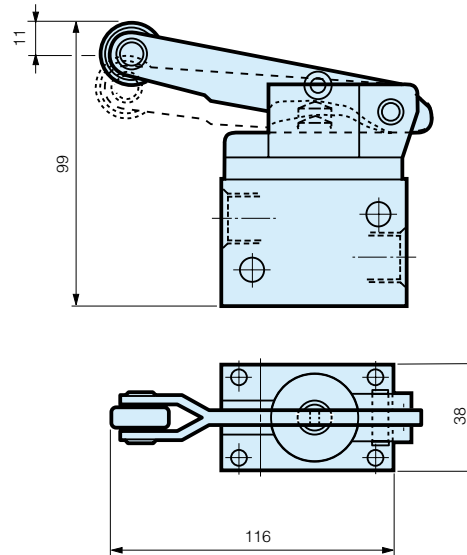
Lock down lever

B102L, B103L, B202L, B203L



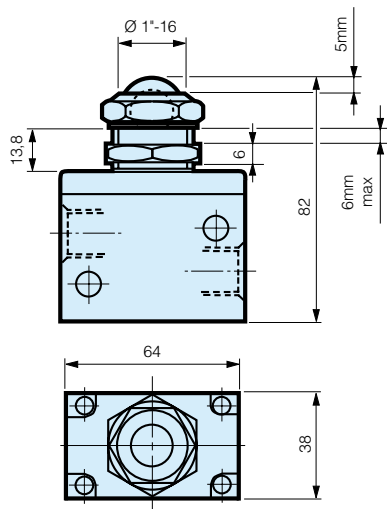
Roller lever operated spring return

B102R, B103R, B202R, B203R



Ball operated spring return

B102C, B103C, B202C, B203C



All dimensions in mm unless otherwise stated

22mm solenoid operator part numbers and spares

Solenoid coils for 22mm solenoid operators

Voltage	Order code Form B	Weight (Kg)
12V 60Hz	P2FCB440	0.093
24V 50/60Hz	P2FCB442	0.093
12V DC	P2FCB445	0.093
12V DC Mobile	P2FCB447	0.093
24v DC Mobile	P2FCB448	0.093
24V DC	P2FCB449	0.093
48V DC	P2FCB451	0.093
110V/50Hz, 120V/60Hz	P2FCB453	0.093
230V/50Hz, 230V/60Hz	P2FCB457	0.093

Spare Solenoid Nuts

Valves with vented exhaust are fitted with diffuser plastic nut

Order Code

P2FND

Spare Solenoid Operators

Solenoid pilot operator 22mm NC, Normal duty (Max Operating pressure 10bar, Temp -10°C to +50°C)



Order code (with locking bi-stable m/o)	Weight Kg
P2FP13N4C	0.05
Order code (with Non-locking monostable m/o)	Weight Kg
P2FP13N4D	0.05
Order code (with no m/o)	Weight Kg
P2FP13N4A	0.05

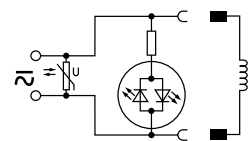
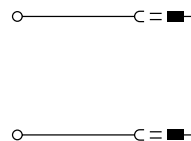
Note.

The operators are supplied with mounting screws and interface 'O' rings.

Coils and connectors must be ordered separately.

Solenoid Connectors / Cable Plugs EN175301-803

	Description	Order code 22mm Industrial Form B
With standard screw	Standard IP65 without flying lead	3EV10V10
	With LED and protection 24V AC/DC	3EV10V20-24
	With LED and protection 110V AC	3EV10V20-110
	With LED and protection 230V AC	3EV10V20-230
With cable	24V AC/DC, 5m cable LED and protection IP65	3EV10V20-24L5
	110V AC/DC, 5m cable LED and protection IP65	3EV10V20-110L5
	230V AC, 5m cable LED and protection IP65	3EV10V20-230L5

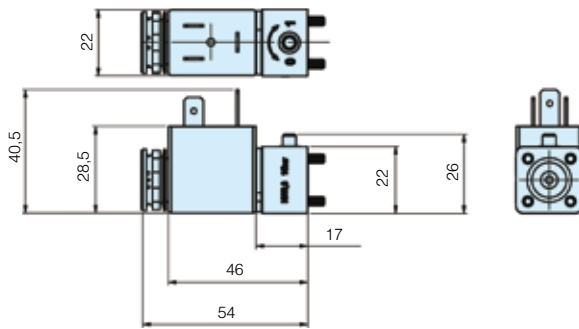


3EV10V10

3EV10V20-24	3EV10V20-24L5
3EV10V20-110	3EV10V20-110L5
3EV10V20-230	3EV10V20-230L5

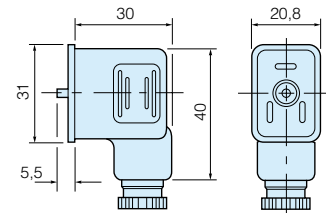
Cable Plug Dimensions (mm)

Solenoid operators P2E-•V...



Cable plugs Form B

3EV10V10



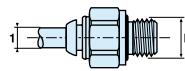
Accessories

Sintered bronze series silencers



Port	Order code	Pack Qty
G1/4	P6M-BAA2	1

Male straight connectors - Parallel thread

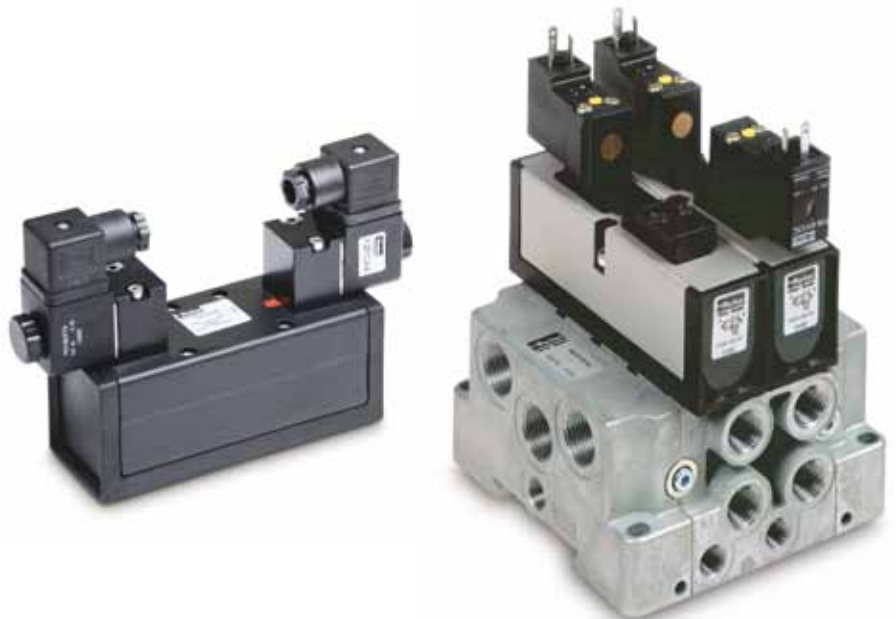


Tube Ø1	Thread B	Order code	Box Qty
4	1/8	F4PMB4-1/8	20
6	1/8	F4PMB6-1/8	30
6	1/4	F4PMB6-1/4	30
8	1/8	F4PB8-1/8	40
8	1/4	F4PB8-1/4	30
8	3/8	F4PB8-3/8	20
10	1/4	F4PB10-1/4	20
10	3/8	F4PB10-3/8	20
10	1/2	F4PB10-1/2	10
12	1/4	F4PB12-1/4	10
12	3/8	F4PB12-3/8	10
12	1/2	F4PB12-1/2	10
14	3/8	F4PB14-3/8	10
14	1/2	F4PB14-1/2	10



DX Global ISO Valves

A complete range of pneumatic
ISO valves



Rust and corrosion resistant body

With the valve body in polyamide reinforced fiberglass and the casting in anodised aluminium, the Isomax range presents a comprehensive modern design to suit most industrial environments.

- **ISO 15407-1 Sizes 02 & 01 and ISO 5599-1 Sizes 1, 2 & 3**
- **Ceramic technology for long life operation**
- **From vacuum up to 12 bar applications**
- **Internal or external pilot supply with same valves**
- **M12 on each coil**
- **Common M12**



Ceramic slide valves for maximum operational life. Solenoid or air pilot actuation. Vacuum to 10 bar general applications.

- Size 01 and 02 (26 and 18 mm)
- Ceramic technology for long life operation
- From vacuum up to 10 bar applications
- Internal or external pilot supply with same valves
- Capture solenoid exhaust



Operation information

Working pressure :	-0,9 to 10 bar	
Working temperature :	-10 to +60°C	
	DX02	DX01
Flow (Qmax.) :	630 l/min	1000 l/min
Flow (Qn) :	385 l/min	585 l/min

Isomax - ISO 15407-1 - Sizes 02 & 01
15 mm DIN C / 24 Vdc / 1,2 W solenoid valve operator

	Symbol	Description	Size	Weight (g)	Order code
		5/2 Single solenoid - Spring return	02 - 18 mm	130	DX02-621-951M
			01 - 26mm	170	DX01-621-951M
		5/2 Single solenoid - Differential	02 - 18 mm	130	DX02-651-951M
			01 - 26mm	170	DX01-651-951M
		5/2 Double solenoid	02 - 18 mm	130	DX02-606-951M
			01 - 26mm	170	DX01-606-951M
		5/3 Closed Centre (APB)	02 - 18 mm	130	DX02-616-951M
			01 - 26mm	170	DX01-616-951M
		5/3 Vented Center	02 - 18 mm	160	DX02-611-951M
			01 - 26mm	170	DX01-611-951M


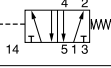
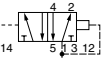
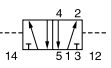
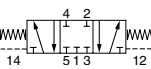
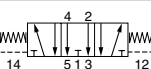
Solenoid connectors & cable plugs to be ordered separately. See solenoid section

Isomax - ISO 15407-1 - Sizes 02 & 01
Without 15 mm DIN C solenoid valve operator

	Symbol	Description	Size	Weight (g)	Order code
		5/2 Single solenoid - Spring return	02 - 18 mm	130	DX02-621-60
			01 - 26mm	170	DX01-621-60
		5/2 Single solenoid - Differential	02 - 18 mm	130	DX02-651-60
			01 - 26mm	170	DX01-651-60
		5/2 Double solenoid	02 - 18 mm	130	DX02-606-60
			01 - 26mm	170	DX01-606-60
		5/3 Closed Centre (APB)	02 - 18 mm	130	DX02-616-60
			01 - 26mm	170	DX01-616-60
		5/3 Vented Center	02 - 18 mm	160	DX02-611-60
			01 - 26mm	170	DX01-611-60

15mm solenoid valve operator, solenoid connectors & cable plug to be ordered separately. See solenoid section

Isomax - ISO 15407-1 - Sizes 02 & 01
Pneumatic remote pilot operated
Without valve spool manual override

	Symbol	Description	Size	Weight (g)	Order code
		5/2 Air pilot - Spring return	02 - 18 mm	90	DX02-421-60
			01 - 26mm	130	DX01-421-60
		5/2 Air pilot - Differential	02 - 18 mm	90	DX02-451-60
			01 - 26mm	130	DX01-451-60
		5/2 Double air pilot	02 - 18 mm	90	DX02-406-60
			01 - 26mm	130	DX01-406-60
		5/3 Closed Centre (APB)	02 - 18 mm	90	DX02-416-60
			01 - 26mm	130	DX01-416-60
		5/3 Vented Center	02 - 18 mm	90	DX02-411-60
			01 - 26mm	130	DX01-411-60

Ceramic technology

All ISOMAX products use high-tech ceramic switching technology :

• **Excellent reliability :**

- Long life in excess of 100 million operations*.
- Operates with lubricated or non lubricated air.
- Low sensitivity to air quality changes switching without seal.
- Stiction free.

• **High performances :**

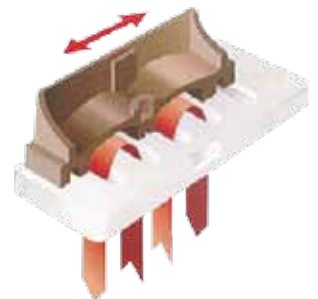
Slide valve concept allows high flow / size ratio and short response time due to short slide stroke and low friction.

• **Switchable selector**

Valves fitted with switchable selector to give internal or external pilot supply



Ceramic plate



• **Size 02 & Size 01**

Solenoid exhaust pilot

• **Stable long lasting performances**

Low friction switching : minimum wear of the valve member/seal assembly.

Ceramic slide valves for maximum operational life. Solenoid or air pilot operated with a wide choice of bases and manifolds. Vacuum to 12 bar general applications.

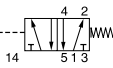
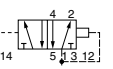
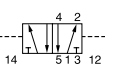
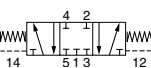
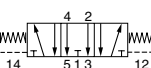
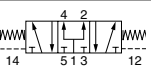
- Size 1, 2 and 3
- Ceramic technology for long life operation
- From vacuum up to 12 bar applications
- Internal or external pilot supply with same valves
- M12 on each coil
- Common M12



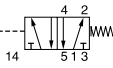
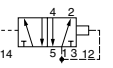
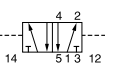
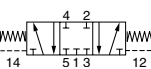
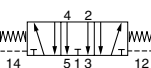
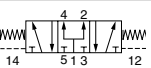
 **For ATEX specific products contact Sales Office**

**Isomax - ISO 5599-1 - Sizes 1, 2 & 3
Pneumatic remote pilot operated
With direct valve spool manual override**

Operation information			
Working pressure :	-0,9 to 12 bar		
Working temperature :	-10 to +60°C		
	DX1	DX2	DX3
Flow (Qmax.) :	1680 l/min	3640 l/min	6420 l/min
Flow (Qn.) :	1150 l/min	2330 l/min	4050 l/min
ATEX approval:	CE Ex II 2 GD c 85°C		

Symbol	Description	Size	Weight (g)	Order code
	5/2 Air pilot - Spring return	1 - 43 mm	350	DX1-421-70
		2 - 56 mm	600	DX2-421-70
		3 - 71 mm	1100	DX3-421-70
	5/2 Air pilot - Differential	1 - 43 mm	350	DX1-451-70
		2 - 56 mm	600	DX2-451-70
		3 - 71 mm	1100	DX3-451-70
	5/2 Double air pilot	1 - 43 mm	350	DX1-406-70
		2 - 56 mm	600	DX2-406-70
		3 - 71 mm	1100	DX3-406-70
	5/3 Closed Center (APB)	1 - 43 mm	350	DX1-416-70
		2 - 56 mm	600	DX2-416-70
		3 - 71 mm	1100	DX3-416-70
	5/3 Vented Center	1 - 43 mm	350	DX1-411-70
		2 - 56 mm	600	DX2-411-70
		3 - 71 mm	1100	DX3-411-70
	5/3 Pressurised Center	1 - 43 mm	350	DX1-413-70
		2 - 56 mm	600	DX2-413-70


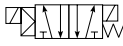
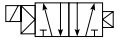

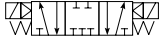
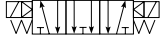
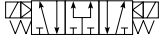
**Isomax - ISO 5599-1 - Sizes 1, 2 & 3
Pneumatic remote pilot operated
Without direct valve spool manual override**

Symbol	Description	Size	Weight (g)	Order code
	5/2 Air pilot - Spring return	1 - 43 mm	350	DX1-421-60
		2 - 56 mm	600	DX2-421-60
		3 - 71 mm	1100	DX3-421-60
	5/2 Air pilot - Differential	1 - 43 mm	350	DX1-451-60
		2 - 56 mm	600	DX2-451-60
		3 - 71 mm	1100	DX3-451-60
	5/2 Double air pilot	1 - 43 mm	350	DX1-406-60
		2 - 56 mm	600	DX2-406-60
		3 - 71 mm	1100	DX3-406-60
	5/3 Closed Center (APB)	1 - 43 mm	350	DX1-416-60
		2 - 56 mm	600	DX2-416-60
		3 - 71 mm	1100	DX3-416-60
	5/3 Vented Center	1 - 43 mm	350	DX1-411-60
		2 - 56 mm	600	DX2-411-60
		3 - 71 mm	1100	DX3-411-60
	5/3 Pressurised Center	1 - 43 mm	350	DX1-413-60
		2 - 56 mm	600	DX2-413-60

Isomax - ISO 5599-1 - Sizes 1, 2 & 3

CNOMO operator with 30 x 30 DIN Form A / 24 Vdc / 2,7 W solenoid

With non locking manual override on solenoid valve operator - Without direct valve spool manual override



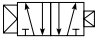

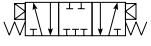
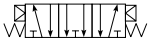
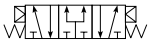
Symbol	Description	Size	Weight (g)	Order code
		1 - 43 mm	500	DX1-621-BL49
		2 - 56 mm	750	DX2-621-BL49
		3 - 71 mm	1250	DX3-621-BL49
		1 - 43 mm	500	DX1-651-BL49
		2 - 56 mm	750	DX2-651-BL49
		3 - 71 mm	1250	DX3-651-BL49
		1 - 43 mm	650	DX1-606-BL49
		2 - 56 mm	900	DX2-606-BL49
		3 - 71 mm	1400	DX3-606-BL49
	1 - 43 mm	560	DX1-616-BL49	
	2 - 56 mm	900	DX2-616-BL49	
	3 - 71 mm	1400	DX3-616-BL49	
	1 - 43 mm	650	DX1-611-BL49	
	2 - 56 mm	900	DX2-611-BL49	
	3 - 71 mm	1400	DX3-611-BL49	
	1 - 43 mm	650	DX1-613-BL49	
	2 - 56 mm	900	DX2-613-BL49	

Solenoid connectors & cable plug to be ordered separately. See solenoid section

Isomax - ISO 5599-1 - Sizes 1, 2 & 3

CNOMO operator without coil

With non locking manual override on solenoid valve operator - Without direct valve spool manual override





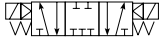
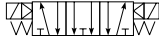
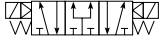
Symbol	Description	Size	Weight (g)	Order code
		1 - 43 mm	400	DX1-621-BN
		2 - 56 mm	650	DX2-621-BN
		3 - 71 mm	1150	DX3-621-BN
		1 - 43 mm	400	DX1-651-BN
		2 - 56 mm	650	DX2-651-BN
		3 - 71 mm	1150	DX3-651-BN
		1 - 43 mm	550	DX1-606-BN
		2 - 56 mm	800	DX2-606-BN
		3 - 71 mm	1300	DX3-606-BN
	1 - 43 mm	550	DX1-616-BN	
	2 - 56 mm	800	DX2-616-BN	
	3 - 71 mm	1300	DX3-616-BN	
	1 - 43 mm	550	DX1-611-BN	
	2 - 56 mm	800	DX2-611-BN	
	3 - 71 mm	1300	DX3-611-BN	
	1 - 43 mm	550	DX1-613-BN	
	2 - 56 mm	800	DX2-613-BN	

30 x 30 DIN Form A or 22 x 30 DIN Form B coil & coil connectors to be ordered separately. See solenoid section

Isomax - ISO 5599-1 - Sizes 1, 2 & 3

Valve alone without operator





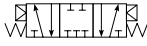

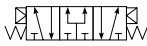
With direct valve spool manual override

Symbol	Description	Size	Weight (g)	Order code	
		5/2 Air pilot - Spring return	1 - 43 mm	350	DX1-621-70
		2 - 56 mm	600	DX2-621-70	
		3 - 71 mm	1100	DX3-621-70	
		5/2 Air pilot - Differential	1 - 43 mm	350	DX1-651-70
		2 - 56 mm	600	DX2-651-70	
		3 - 71 mm	1100	DX3-651-70	
		5/2 Double air pilot	1 - 43 mm	350	DX1-606-70
		2 - 56 mm	600	DX2-606-70	
		3 - 71 mm	1100	DX3-606-70	
	5/3 Closed Center (APB)	1 - 43 mm	350	DX1-616-70	
	2 - 56 mm	600	DX2-616-70		
	3 - 71 mm	1100	DX3-616-70		
	5/3 Vented Center	1 - 43 mm	350	DX1-611-70	
	2 - 56 mm	600	DX2-611-70		
	3 - 71 mm	1100	DX3-611-70		
	5/3 Pressurised Center	1 - 43 mm	350	DX1-613-70	
		2 - 56 mm	600	DX2-613-70	



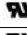

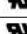
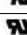

Isomax - ISO 5599-1 - Sizes 1, 2 & 3

Valve alone without operator

Without direct valve spool manual override


Symbol	Description	Size	Weight (g)	Order code	
		5/2 Air pilot - Spring return	1 - 43 mm	350	DX1-621-60
		2 - 56 mm	600	DX2-621-60	
		3 - 71 mm	1100	DX3-621-60	
		5/2 Air pilot - Differential	1 - 43 mm	350	DX1-621-60
		2 - 56 mm	600	DX2-621-60	
		3 - 71 mm	1100	DX3-621-60	
		5/2 Double air pilot	1 - 43 mm	350	DX1-606-60
		2 - 56 mm	600	DX2-606-60	
		3 - 71 mm	1100	DX3-606-60	
	5/3 Closed Center (APB)	1 - 43 mm	350	DX1-616-60	
	2 - 56 mm	600	DX2-616-60		
	3 - 71 mm	1100	DX3-616-60		
	5/3 Vented Center	1 - 43 mm	350	DX1-611-60	
	2 - 56 mm	600	DX2-611-60		
	3 - 71 mm	1100	DX3-611-60		
	5/3 Pressurised Center	1 - 43 mm	350	DX1-613-60	
		2 - 56 mm	600	DX2-613-60	

15 mm N.C. Solenoid Operator - Standard version

Voltage	W (g)	Without Manual Override Order code	Not Extended			Extended	
			Blue Override non locking flush Order code	Yellow Override Locking flush Order code	Blue Override non locking flush Order code	Yellow Override Locking flush Order code	
	12 Vdc	 P2E-KV32B0	P2E-KV32B1	P2E-KV32B2			
	24 Vdc	 P2E-KV32C0	P2E-KV32C1	P2E-KV32C2	P2E-KV32C3	P2E-KV32C4	
	48 Vdc	 P2E-KV32D0	P2E-KV32D1	P2E-KV32D2			
	24 Vac 50 Hz	 P2E-KV31C0	P2E-KV31C1	P2E-KV31C2	P2E-KV31C3	P2E-KV31C4	
	48 Vac 50/60Hz	 P2E-KV34D0	P2E-KV34D1	P2E-KV34D2			
	115 Vac 50Hz/ 120 Vac 60Hz	 P2E-KV31F0	P2E-KV31F1	P2E-KV31F2			
	230 Vac 50Hz		P2E-KV31J0	P2E-KV31J1	P2E-KV31J2		
	240 Vac 60Hz/						



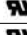
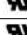


Mounting screws included with the solenoid valve operator

15 mm N.C. Solenoid Operator - Mobile version

Voltage	W (g)	Without Manual Override Order code	Not Extended	
			Blue Override non locking flush Order code	Yellow Override Locking flush Order code
	12 Vdc	P2E-MV35B0	P2E-MV35B1	
	24 Vdc	P2E-MV35C0	P2E-MV35C1	
	37,5 Vdc	P2E-MV35W0	P2E-MV35W1	
	48 Vdc	P2E-MV35D0	P2E-MV35D1	
	72 Vdc	P2E-MV35T0	P2E-MV35T1	
	78 Vdc	P2E-MV35Y0	P2E-MV35Y1	
	96 Vdc	P2E-MV35V0	P2E-MV35V1	
	110 Vdc	P2E-MV35E0	P2E-MV35E1	



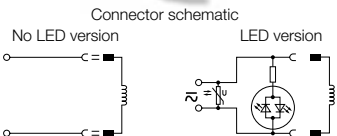
Mounting screws included with the solenoid valve operator

15 mm N.C. Solenoid Operator - Food Industry version

Voltage	W (g)	Without Manual Override Order code	Not Extended			Extended	
			Blue Override non locking flush Order code	Yellow Override Locking flush Order code	Blue Override non locking flush Order code	Yellow Override Locking flush Order code	
	24 Vdc	 P2E-QV32C0	P2E-QV32C1	P2E-QV32C2	P2E-QV32C3	P2E-QV32C4	
	48 Vdc	 P2E-QV32D0	P2E-QV32D1	P2E-QV32D2			
	24 Vac 50 Hz	 P2E-QV31C0	P2E-QV31C1	P2E-QV31C2	P2E-QV31C3	P2E-QV31C4	
	48 Vac 50/60Hz	 P2E-QV34D0	P2E-QV34D1	P2E-QV34D2			
	115 Vac 50Hz/ 120 Vac 60Hz	 P2E-QV31F0	P2E-QV31F1	P2E-QV31F2	P2E-QV31F3	P2E-QV31F4	
	230 Vac 50Hz		P2E-QV31J0	P2E-QV31J1	P2E-QV31J2	P2E-QV31J3	
	240 Vac 60Hz/					P2E-QV31J4	




Mounting screws included with the solenoid valve operator

Solenoid Connectors 15 mm DIN Form C / ISO15217

Description	Characteristic	Visualisation	Cable length	W (g)	Order code			
	Standard IP65	No LED	No cable	20	P8C-C			
		24 Vdc LED	No cable	20	P8C-C26C			
		110 Vac LED	No cable	20	P8C-C21E			
	Standard IP65	No LED	No cable	15	P8C-D			
			2 meters	115	P8L-C2			
			5 meters	240	P8L-C5			
			24 Vdc/Vac LED	No cable	15	P8C-D26C		
			2 meters	170	P8L-C226C			
					5 meters	240	P8L-C526C	
					10 meters	440	P8L-CA26C	
					110 Vac LED	No cable	115	P8C-D21E
					2 meters	115	P8L-C221E	
					5 meters	230	P8L-C521E	

In accordance with the EU Machine Directive, EN 983, solenoid valves with manual override should have spring-return operating arms for safety.

3/2 N.C. CNOMO Operator - Without Coil

Description	Manual override	W (g)	Order code
 Solenoid operator for 30 x 30 DIN Form A Coil Dedicated to Low Power 2,5W / 3VA Coil	No manual override	65	P2FP23N4A
	Pulse non locking	65	P2FP23N4B
	Locking	65	P2FP23N4C
 Solenoid operator for 30 x 30 DIN Form A Coil Dedicated to High Power 4,5W / 5VA Coil	No manual override	65	EV3000100
	Pulse non locking	65	EV3001100
	Locking	65	EV3003100
 Solenoid operator for 22 x 30 DIN Form B Coil Dedicated to Low Power 2,5W / 4,5VA Coil	No manual override	65	1EV0*310
	Pulse non locking	65	1EV1*310
	Locking	65	1EV3*310



30 x 30 DIN Form A and 22 x 30 DIN Form B Coils for CNOMO Operator

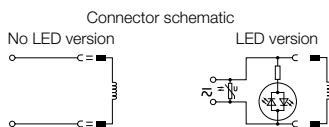
Voltage	30 x 30 DIN Form A		22 x 30 DIN Form B		
	W (g)	Order code	Order code	W (g)	Order code
12 Vdc	105	P2FCA445	P2FCA545	93	P2FCB345
24 Vdc	105	P2FCA449	P2FCA549	93	P2FCB349
48 Vdc	105	P2FCA451	P2FCA351	93	P2FCB351
12 Vac 50/60 Hz	105	P2FCA440	P2FCA540	93	P2FCB340
24 Vac 50/60 Hz	105	P2FCA445	P2FCA545	93	P2FCB345
48 Vac 50/60 Hz	105	P2FCA449	P2FCA549	93	P2FCB349
110 Vac 50 Hz / 120 Vac 60 Hz	105	P2FCA453	P2FCA553	93	P2FCB353
230 Vac 50 Hz / 240 Vac 60 Hz	105	P2FCA457	P2FCA557	93	P2FCB357

Spare Solenoid Nuts


Description	Usage	W (g)	Order code
 Plastic knurled nut Diffuser plastic nut	For valve requiring Captured exhaust	5	P2FNP
	For valve requiring Vented exhaust	5	P2FND

30 x 30 DIN Form A or 22 x 30 DIN Form B Solenoid Connectors

Description	Characteristic	Visualisation	Cable length	W (g)	Order code
 30 x 30 DIN Form A connector With standard screw	Standard IP65	No LED	No cable	15	3EV290V10
		24 Vdc/Vac LED	No cable	30	3EV290V20-24
			5 meters	355	3EV290V20-24L5
		110 Vac LED	No cable	30	3EV290V20-110
			5 meters	470	3EV290V20-110L5
		230 Vac LED	No cable	30	3EV290V20-230
5 meters	350		3EV290V20-230L5		
 22 x 30 DIN Form B connector With standard screw	Standard IP65	No LED	No cable	15	3EV290V10
		24 Vdc/Vac LED	No cable	20	3EV10V20-24
			5 meters	350	3EV10V20-24L5
		110 Vac LED	No cable	25	3EV10V20-110
			5 meters	355	3EV10V20-110L5
		230 Vac LED	No cable	25	3EV10V20-230
5 meters	360		3EV10V20-230L5		



Spare Solenoid Nuts

Description	Characteristics	Visualisation	Cable	W (g)	Order code
 M12 Connector for one coil M12 Connector for two coils	24 V AC/DC - 4A	LED	No cable	30	P8C-A626C
	24 V AC/DC - 4A	LED	No cable	70	P8C-AM26C

Note: Solenoid pilot operators are fitted to the Viking valve range. Order the above part numbers for spares. The operators are supplied with mounting screws and interface 'O' rings. **Coils and connectors must be ordered separately.**


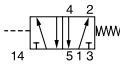
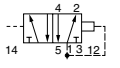
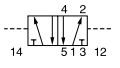

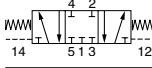

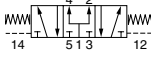
Solenoid or air pilot actuation. Vacuum to 10 bar heavy duty applications.




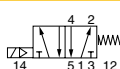
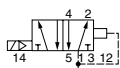
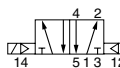


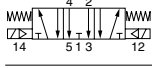
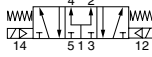
- Size HA and HB (26mm and 18mm)
- Heavy duty and corrosion resistant body
- Internal led & rectifier
- Internal or external pilot supply with same valve
- M12 common wiring

Operation information		
Working pressure :	2,0 to 10 bar	
Working temperature :	-15 to +50°C	
	Size 02	Size 01
Flow (Qmax.) :	10,8 l/s	25,3 l/s
Flow (Qn) :	6,5 l/s	15,3 l/s

Isys ISO 15407-1 - Sizes 02 & 01
Pneumatic remote pilot operated
Oriented side 14, LED & Surge suppressor

	Symbol	Description	Size	Weight (g)	Order code	
		5/2 Air pilot - Spring return	02 - 18 mm	150	HBFWX000XXA	
			01 - 26 mm	250	HAFWX000XXA	
		5/2 Air pilot - Differential	02 - 18 mm	150	HB3WX000XXA	
			01 - 26 mm	250	HA3WX000XXA	
HB 18 mm		5/2 Double air pilot	02 - 18 mm	165	HB4WX000XXA	
			01 - 26 mm	265	HA4WX000XXA	
		5/3 Closed Center (APB)	02 - 18 mm	165	HB8WX000XXA	
			01 - 26 mm	265	HA8WX000XXA	
	HA 26 mm		5/3 Vented Center	02 - 18 mm	165	HB9WX000XXA
				01 - 26 mm	265	HA9WX000XXA
HA 26 mm		5/3 Pressurised Center	02 - 18 mm	165	HB0WX000XXA	
			01 - 26 mm	265	HA0WX000XXA	

Isys ISO 15407-1 - Sizes 02 & 01
With 24 Vdc / 1 W built-in coil - Integrated M12 connector
Oriented side 14, LED & Surge suppressor

	Symbol	Description	Size	Weight (g)	Order code	
		5/2 Air pilot - Spring return	02 - 18 mm	150	HBEWXBG2G9000FA	
			01 - 26 mm	250	HAEWXBG2G9000FA	
	HB 18 mm		5/2 Air pilot - Differential	02 - 18 mm	150	HB1WXBG2G9000FA
				01 - 26 mm	250	HA1WXBG2G9000FA
HB 18 mm		5/2 Double air pilot	02 - 18 mm	165	HB2WXBG2G9000FA	
			01 - 26 mm	265	HA2WXBG2G9000FA	
		5/3 Closed Center (APB)	02 - 18 mm	165	HB5WXBG2G9000FA	
			01 - 26 mm	265	HA5WXBG2G9000FA	
	HA 26 mm		5/3 Vented Center	02 - 18 mm	165	HB6WXBG2G9000FA
				01 - 26 mm	265	HA6WXBG2G9000FA
HA 26 mm		5/3 Pressurised Center	02 - 18 mm	165	HB7WXBG2G9000FA	
			01 - 26 mm	265	HA7WXBG2G9000FA	

Heavy duty valve. Solenoid or air pilot. Vacuum to 10 bar. Wide choice of electrical connections.

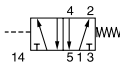
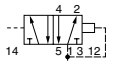
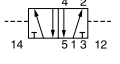
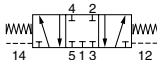

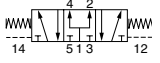
- Size 1, 2, 3
- Heavy duty and corrosion resistant body
- Vacuum to 10 bar
- Internal or external pilot supply with same valve
- Din A, M12, M23 connections



Operation information

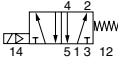
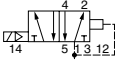
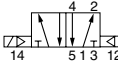
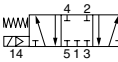
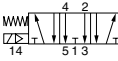
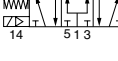
Working pressure :	2,0 to 10 bar		
Working temperature :	-15 to +50°C		
	Size 1	Size 2	Size 3
Flow (Qmax.) :	34,5 l/s	69,0 l/s	130,8 l/s
Flow (Qn) :	20,8 l/s	42,0 l/s	83,7 l/s

Isys ISO 5599-1 - Sizes 1, 2 & 3 Pneumatic Remote Pilot operated valve

Symbol	Description	Size	Weight (g)	Order code
	5/2 Single solenoid - Spring return	1 - 43 mm	600	H1FWX000XXD
		2 - 56 mm	1020	H2FWX000XXD
		3 - 71 mm	1300	H3FWX000XXD
	5/2 Single solenoid - Differential	1 - 43 mm	600	H13WX000XXD
		2 - 56 mm	1020	H23WX000XXD
		3 - 71 mm	1300	H33WX000XXD
	5/2 Double solenoid	1 - 43 mm	600	H14WX000XXD
		2 - 56 mm	1020	H24WX000XXD
		3 - 71 mm	1300	H34WX000XXD
	5/3 Closed Center (APB)	1 - 43 mm	600	H18WX000XXD
		2 - 56 mm	1020	H28WX000XXD
		3 - 71 mm	1300	H38WX000XXD
	5/3 Vented Center	1 - 43 mm	600	H19WX000XXD
		2 - 56 mm	1020	H29WX000XXD
		3 - 71 mm	1300	H39WX000XXD
	5/3 Pressurised Center	1 - 43 mm	600	H10WX000XXD
		2 - 56 mm	1020	H20WX000XXD
		3 - 71 mm	1300	H30WX000XXD

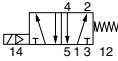
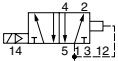
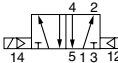
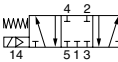
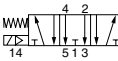

30 x 30 DIN Form A or 22 x 30 DIN Form B solenoid & solenoid connectors to be ordered separately. See solenoid section

**Isys ISO 5599-1 - Sizes 1, 2 & 3
CNOMO operator with 30 x 30 DIN Form A / 24 Vdc / 2,7 W solenoid**

Symbol	Description	Size	Weight (g)	Order code
	5/2 Single solenoid - Spring return	1 - 43 mm	770	H1EWXBBL49D
		2 - 56 mm	1190	H2EWXBBL49D
		3 - 71 mm	1470	H3EWXBBL49D
	5/2 Single solenoid - Differential	1 - 43 mm	770	H11WXBBL49D
		2 - 56 mm	1190	H21WXBBL49D
		3 - 71 mm	1470	H31WXBBL49D
	5/2 Double solenoid	1 - 43 mm	940	H12WXBBL49D
		2 - 56 mm	1360	H22WXBBL49D
		3 - 71 mm	1640	H32WXBBL49D
	5/3 Closed Center (APB)	1 - 43 mm	940	H15WXBBL49D
		2 - 56 mm	1360	H25WXBBL49D
		3 - 71 mm	1640	H35WXBBL49D
	5/3 Vented Center	1 - 43 mm	940	H16WXBBL49D
		2 - 56 mm	1360	H26WXBBL49D
		3 - 71 mm	1640	H36WXBBL49D
	5/3 Pressurised Center	1 - 43 mm	940	H17WXBBL49D
		2 - 56 mm	1360	H27WXBBL49D
		3 - 71 mm	1640	H37WXBBL49D

Solenoid connectors & cable plug to be ordered separately. See solenoid section


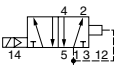
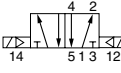
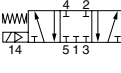
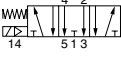
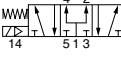
**Isys ISO 5599-1 - Sizes 1, 2 & 3
CNOMO operator without coil**

Symbol	Description	Size	Weight (g)	Order code
	5/2 Single solenoid - Spring return	1 - 43 mm	650	H1EWXBBNXXD
		2 - 56 mm	1070	H2EWXBBNXXD
		3 - 71 mm	1350	H3EWXBBNXXD
	5/2 Single solenoid - Differential	1 - 43 mm	650	H11WXBBNXXD
		2 - 56 mm	1070	H21WXBBNXXD
		3 - 71 mm	1350	H31WXBBNXXD
	5/2 Double solenoid	1 - 43 mm	700	H12WXBBNXXD
		2 - 56 mm	1120	H22WXBBNXXD
		3 - 71 mm	1400	H32WXBBNXXD
	5/3 Closed Center (APB)	1 - 43 mm	700	H15WXBBNXXD
		2 - 56 mm	1120	H25WXBBNXXD
		3 - 71 mm	1400	H35WXBBNXXD
	5/3 Vented Center	1 - 43 mm	700	H16WXBBNXXD
		2 - 56 mm	1120	H26WXBBNXXD
		3 - 71 mm	1400	H36WXBBNXXD
	5/3 Pressurised Center	1 - 43 mm	700	H17WXBBNXXD
		2 - 56 mm	1120	H27WXBBNXXD
		3 - 71 mm	1400	H37WXBBNXXD


30 x 30 DIN Form A or 22 x 30 DIN Form B solenoid & solenoid connectors to be ordered separately. See solenoid section

Isys ISO 5599-1 - Sizes 1, 2 & 3




CNOMO operator with Central M12 connector / 24 Vdc / 2,7 W solenoid

Symbol	Description	Size	Weight (g)	Order code
	5/2 Single solenoid - Spring return	1 - 43 mm	770	H1EWXBG2B9000FD
		2 - 56 mm	1290	H2EWXBG2B9000FD
		3 - 71 mm	1570	H3EWXBG2B9000FD
	5/2 Single solenoid - Differential	1 - 43 mm	770	H11WXBG2B9000FD
		2 - 56 mm	1290	H21WXBG2B9000FD
		3 - 71 mm	1570	H31WXBG2B9000FD
	5/2 Double solenoid	1 - 43 mm	1040	H12WXBG2B9000FD
		2 - 56 mm	1460	H22WXBG2B9000FD
		3 - 71 mm	1740	H32WXBG2B9000FD
	5/3 Closed Center (APB)	1 - 43 mm	1040	H15WXBG2B9000FD
		2 - 56 mm	1460	H25WXBG2B9000FD
		3 - 71 mm	1740	H35WXBG2B9000FD
	5/3 Vented Center	1 - 43 mm	1040	H16WXBG2B9000FD
		2 - 56 mm	1460	H26WXBG2B9000FD
		3 - 71 mm	1740	H36WXBG2B9000FD
	5/3 Pressurised Center	1 - 43 mm	1040	H17WXBG2B9000FD
		2 - 56 mm	1460	H27WXBG2B9000FD
		3 - 71 mm	1740	H37WXBG2B9000FD


Side ported individual subbase - ISO 15407-1 - Sizes 02 & 01

Description	Size	Port Size	Weight (g)	Order code
 <p>Individual Subbase Can be used for External pilot supply or Single or Double pneumatic remote pilot</p>	02 - 18 mm	1/8 BSPP	70	PL02-01-70
		1/8 NPT	70	PL02-01-70
	01 - 26 mm	1/4 BSPP	120	PL02-01-70
		1/4 NPT	120	PL02-01-70

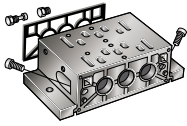
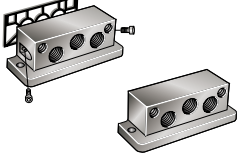
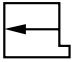
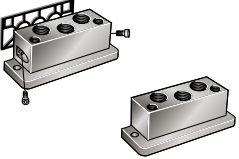
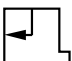
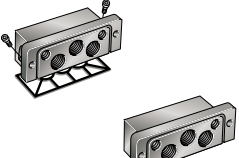
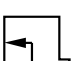
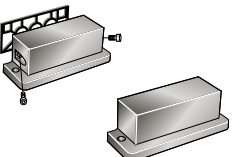
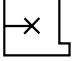
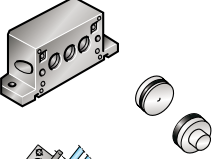
Front ported manifold & End plate - ISO 15407-1 - Sizes 02 & 01

Description	Size	Port Size	Weight (g)	Order code
 <p>Two position manifold base Can be used for External pilot supply Cannot be used for remote pilot</p>	02 - 18 mm	1/8 BSPP	140	PJLP02-201-70
		1/8 NPT	140	PJLP02-201-80
	01 - 26 mm	1/4 BSPP	700	PJLP01-202-70
		1/4 NPT	700	PJLP01-202-80
 <p>Two position manifold base Can be used for External pilot supply using #14 or Single or Double pneumatic remote pilot</p>	01 - 26 mm	1/4 BSPP	730	PJL01-202-70
		1/4 NPT	730	PJL01-202-80
 <p>End plate kit</p>	02 - 18 mm	1/4 BSPP	150	PEJ02-02-70
		1/4 NPT	150	PEJ02-02-80
	01 - 26 mm	3/8 BSPP	520	PEJ01-03-70
		3/8 NPT	520	PEJ01-03-80

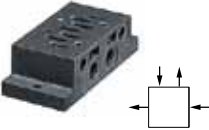
Accessories

Description	Size	Weight (g)	Order code
 <p>Blanking plate</p>	02 - 18 mm	40	DX02BLK
	01 - 26 mm	50	DX01BLK
<p>Blanking plug</p>	02 - 18 mm	10	DX02BD0
	01 - 26 mm	20	DX01BD0
<p>Bolt, Washer and Nut</p>	02 - 18 mm	120	DX02M2MB
	01 - 26 mm	120	DX01M2MB

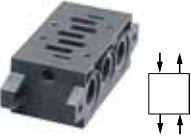


Bottom ported manifold & End plate - ISO 15407-1 - Sizes 02 & 01

Description		Size	Port Size	Weight (g)	Order code	
	Two valve position manifold	Int. pilot supply	02 - 18 mm	1/8 BSPP	200	P2V-AM511PB
			01 - 26 mm	1/4 BSPP	400	P2V-BM512PB
	Including seal, fitting screws and plugs.	Ext. pilot supply	02 - 18 mm	1/8 BSPP	200	P2V-AM511NB
			01 - 26 mm	1/4 BSPP	400	P2V-BM512NB
	Side ported	Left end plate	02 - 18 mm	1/4 BSPP	180	P2V-AM512GS
		Including seal and fitting screws	01 - 26 mm	3/8 BSPP	210	P2V-BM513GS
		Right end plate	02 - 18 mm	1/4 BSPP	180	P2V-AM512HS
			01 - 26 mm	3/8 BSPP	210	P2V-BM513HS
	Top ported	Left end plate	02 - 18 mm	1/4 BSPP	180	P2V-AM512GT
		Including seal and fitting screws	01 - 26 mm	3/8 BSPP	210	P2V-BM513GT
		Right end plate	02 - 18 mm	1/4 BSPP	180	P2V-AM512HT
			01 - 26 mm	3/8 BSPP	210	P2V-BM513HT
	Bottom ported	Left end plate	02 - 18 mm	1/4 BSPP	180	P2V-AM512GB
		Including seal and fitting screws	01 - 26 mm	3/8 BSPP	220	P2V-BM513GB
		Right end plate	02 - 18 mm	1/4 BSPP	180	P2V-AM512HB
			01 - 26 mm	3/8 BSPP	220	P2V-BM513HB
	End cover	Left end plate	02 - 18 mm		190	P2V-AM500G0
		Including seal and fitting screws	01 - 26 mm		240	P2V-BM500G0
		Right end plate	02 - 18 mm		190	P2V-AM500H0
			01 - 26 mm		240	P2V-BM500H0
Size manifolds adaptor plate		02 to 01		330	P2V-AM500BE	
	Plug	Left end plate	02 - 18 mm		4	P2V-AK0P
			01 - 26 mm		10	P2V-BK0P
Angle mounting set			01 & 02		140	P2V-AK0M
O-ring stip seal			01 & 02		70	9304331543


VDMA Side Ported Subbases

Description	Size	Port size	Weight (g)	Order code
 <p>Subbases VDMA Side port according to VDMA</p>	1 - 43mm	G1/4	160	P2N-VS512SD
	2 - 56mm	G3/8	280	P2N-WS513SD
	3 - 71mm	G1/2	350	P2N-YS514SD


VDMA Bottom Ported Manifold

Description	Size	Port size	Weight (g)	Order code
 <p>VDMA Form C Bottom port according to VDMA</p>	1 - 43mm	G1/4	240	P2N-VM512MB
	2 - 56mm	G3/8	360	P2N-WM513MB
	3 - 71mm	G1/2	700	P2N-YM514MB
 <p>VDMA Transition plate Size 1 to Size 3 Kit includes: Transition plate only</p>	1 to 3	G1/4		P2N-VM500AK
 <p>VDMA Form D - End plate According to VDMA</p>	1 - 43mm	G3/8	210	P2N-VM513ES
	2 - 56mm	G1/2	360	P2N-WM514ES
	3 - 71mm	G1	680	P2N-YM518ES
<p>VDMA Isolation - Main galley According to VDMA</p> <p>Kit includes: (1) Isolator plug.</p>	1 - 43mm			P2N-VK0P
	2 - 56mm			P2N-WK0P
	3 - 71mm			P2N-YK0P


Accessories

Description	Size	Port size	Weight (g)	Order code
 <p>Blanking plate Kit includes: (1) Blanking plate, (1) Gasket and (4) Mounting bolts</p>	1 - 43mm	G1/4	100	P2N-AA5B
	2 - 56mm	G3/8	150	P2N-BA5B
	3 - 71mm	G1/2	200	P2N-CA5B


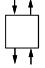

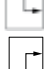



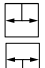

Side ported subbases

Description	Size	Port size	Weight	Order code BSP	Order code NPT
 Single subbase with side ports 1 3 5 2 4 ports & 12 14	1 - 43mm	G1/4	0.16	PL1-1/4-70	PL1-1/4-80
	1 - 43mm	G3/8	0.16	PL1-3/8-70	
	2 - 56mm	G3/8	0.28	PL2-3/8-70	PL2-3/8-80
	2 - 56mm	G1/2		P2N-HS514SS	
	3 - 71mm	G1/2		PL3-1/2-70	PL3-1/2-80
	3 - 71mm	G3/4		P2N-JS516SD	


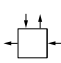

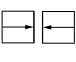
Bottom ported subbases

Description	Size	Port size	Weight	Order code BSP	Order code NPT
 Single subbase with bottom ports 1 3 5 2 4 ports & 12 14	1 - 43mm	G1/4	0.37	PD1-1/4-70	PD1-1/4-80
	2 - 56mm	G3/8	0.59	PD2-3/8-70	PD2-3/8-80
	3 - 71mm	G1/2	0.59	PD3-1/2-70	

Size 1 bottom ported manifold

Description	Size	Port size	Weight	Order code
  Manifold with bottom ports low profile	1 - 43mm	G1/4	0.2	P2N-AM512MB
  Connecting block Top or bottom ported connecting block for above manifold "low profile"	1 - 43mm	G3/8	0.15	P2N-AM513GT
  End End piece for above manifold "low profile"	1 - 43mm	no	0.06	P2N-AM500J
  Intermediate supply Top or bottom ported intermediate supply for above manifold "low profile"	1 - 43mm	G3/8	0.14	P2N-AM513BT
 Isolation plugs isolating seal for above manifold "low profile"	1 - 43mm		0.07	P2N-AK0P


Sizes 1 & 2 side ported manifold

Description	Size	Port size	Weight	Order code
  Manifold Manifold with side port	1 - 43mm	G1/4	0.24	P2N-EM512MD
	2 - 56mm	G3/8	0.21	P2N-FM513MD
  End Side ported connecting kit for above manifold with side ports	1 - 43mm	G3/8	0.36	P2N-EM513ES
	2 - 56mm	G1/2	0.29	P2N-FM514ES






Plug-in 15407-2, Size 02 (18mm - HB) & 01 (26mm - HA) End Plate Kits

Left and Right end plates, with pressure exhaust and auxilliary ports


Individual connection

	Description	ISO Size	Port size	Weight (g)	Order code
	No connector To be used with individually wired base	02 & 01	G3/8"	-	PS5631011P





Multiwiring connection

	Description	ISO Size	Port size	Weight (g)	Order code
	16-Points Terminal Strip	02 & 01	G3/8"	-	PS5620L51P
	25-Pin, D-Sub	02 & 01	G3/8"	-	PS5620L21P
	19-Pin, Round, Brad Harrison	02 & 01	G3/8"	-	PS5620L31P
	M23, 12-Pin	02 & 01	G3/8"	-	PS5620L41P
	M23, 19-Pin	02 & 01	G3/8"	-	PS5620M21P

Accessories

	Description	Protection	Length	Weight (g)	Order code
	25-Pin - D-Sub cable	IP40	3 meters	380	P8LMH25M3A
			9 meters	780	P8LMH25M9A
		IP65	9 meters	790	P8LMH25B9A


Adaptors for Industrial Communication

	Description	ISO Size	Port size	Weight (g)	Order code	
	Turck BL76 Valve Driver Module Without 16 DO module	02 & 01	G3/8"	-	PS5620T01P	
	16 outputs and blank module to be ordered seaparely (See Turck BL67 section)					
	Turck BL76 Valve Driver Module For configuration up to 16 solenoids Including 1 x 16 DO & 1 blank module	02 & 01	G3/8"	-	PS5620T11P	
	Turck BL76 Valve Driver Module For configuration up to 32 solenoids Including 2 x 16 DO modules	02 & 01	G3/8"	-	PS5620T21P	
		Isysnet Valve Driver Module For configuration up to 32 solenoids	02 & 01	G3/8"	-	PS5620L61P
			Moduflex Fieldbus module adaptor	02 & 01	G3/8"	-


For Turck BL67, Isysnet, Moduflex communication gateways and I/O modules, refer to respective sections in following pages.

Plug-in 15407-2, Size 02 (18mm - HB) & 01 (26mm - HA) Manifold Kits


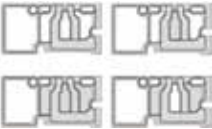
2 Position Front Ported Manifold

Description		ISO Size	Port size	Weight (g)	Order code	
	Non collective wiring	Terminal strip For single or double solenoid valves	01	G1/4"	520	PS551154CP
	Collective wiring	Single address board For single solenoid valves	02	G1/8"	450	PS561152JP
			01	G1/4"	520	PS551154JP
		Double address board For double solenoid valves	02	G1/8"	450	PS561152MP
			01	G1/4"	520	PS551154MP
	Extension Manifold Including ribbon cable	Single address board For single solenoid valves	02	G1/8"	450	PS561152NP
			01	G1/4"	520	PS551154NP
		Double address board For double solenoid valves	02	G1/8"	450	PS561152PP
			01	G1/4"	520	PS551154PP

2 Position Front and Bottom Ported Manifold

Description		ISO Size	Port size	Weight (g)	Order code	
	Non collective wiring	Terminal strip For single or double solenoid valves	01	G1/4"	520	PS551164CP
	Collective wiring	Single address board For single solenoid valves	02	G1/8"	450	PS561162JP
			01	G1/4"	520	PS551164JP
		Double address board For double solenoid valves	02	G1/8"	450	PS561162MP
			01	G1/4"	520	PS551164MP
	Extension Manifold Including ribbon cable	Single address board For single solenoid valves	02	G1/8"	450	PS561162NP
			01	G1/4"	520	PS551164NP
		Double address board For double solenoid valves	02	G1/8"	450	PS561162PP
			01	G1/4"	520	PS551164PP

Accessories

Description	Blocked ports	ISO Size	Port size	Weight (g)	Order code
		02	G1/8"	-	PS5634P
		01	G1/4"	-	PS5534P
	Manifold to Manifold	No port plugged	02 & 01	-	PS561AP
	gasket kit	#1	02 & 01	-	PS561BP
		#1, 3 & 5	02 & 01	-	PS561CP
		#3 & 5	02 & 01	-	PS561DP


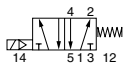

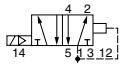

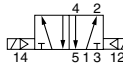

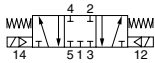

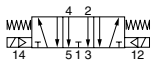

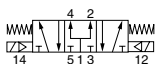
Solenoid actuated Iso valve for multiple and centralised field bus (Plug-in)



- Size HA and HB (26mm and 18mm)
- Heavy duty and corrosion resistant body
- Internal led & rectifier
- Internal or external pilot supply with same valve
- Multiple connection, Sub D25, M23, Terminal block
- Communication with Turck BL67 Remote I/O System, Isysnet System or Moduflex Bus

Operation information		
Working pressure :	2,0 to 10 bar	
Working temperature :	-15 to +50°C	
	Size 02	Size 01
Flow (Qmax.) :	10,8 l/s	25,3 l/s
Flow (Qn) :	6,5 l/s	15,3 l/s


Isys ISO Plug-in 15407-2 - Sizes 02 & 01
With 24 Vdc / 1 W built-in coil
Manual override non locking, LED & surge suppressor

	Symbol	Description	Size	Weight (g)	Order code
		5/2 single solenoid - Spring return	02 - 18mm	130	HBEVXBG0G9A
			01 - 26mm	230	HAEVXBG0G9A
		5/2 single solenoid - Differential	02 - 18mm	130	HB1VXBG0G9A
			01 - 26mm	230	HA1VXBG0G9A
		5/2 double solenoid	02 - 18mm	145	HB2VXBG0G9A
			01 - 26mm	245	HA2VXBG0G9A
		5/3 Closed center (APB)	02 - 18mm	145	HB5VXBG0G9A
			01 - 26mm	245	HA5VXBG0G9A
		5/3 Vented center	02 - 18mm	145	HB6VXBG0G9A
			01 - 26mm	245	HA6VXBG0G9A
		5/3 Pressurised center	02 - 18mm	145	HB7VXBG0G9A
			01 - 26mm	245	HA7VXBG0G9A





Plug-in 5599-2, Sizes 1, 2 & 3 End Plate Kits

Left and Right end plates, with pressure exhaust and auxilliary ports


Individual connection

	Description	ISO Size	Port size	Weight (g)	Order code
	No connector To be used with individually wired base	Size 1	G1/2"	1360	PS4031011CP
		Size 2	G3/4"	1600	PS4131011CP
		Size 3	G3/4"	2800	PS4231011CP






Multiwiring connection

	Description	ISO Size	Port size	Weight (g)	Order code
	25-Pin, D-Sub	Size 1	G1/2"	1360	PS4020L21CP
		Size 2	G3/4"	1600	PS4120L21CP
		Size 3	G3/4"	2800	PS4220L21CP
	19-Pin, Round, Brad Harrison	Size 1	G1/2"	1360	PS4020L31CP
		Size 2	G3/4"	1600	PS4120L31CP
		Size 3	G3/4"	2800	PS4220L31CP
	19-Pin, M23	Size 1	G1/2"	1360	PS4020M21CP
		Size 2	G3/4"	1600	PS4120M21CP
		Size 3	G3/4"	2800	PS4220M21CP
	12-Pin, M23	Size 1	G1/2"	1360	PS4020L41CP
		Size 2	G3/4"	1600	PS4120L41CP
		Size 3	G3/4"	2800	PS4220L41CP

Accessories

	Description	Protection	Length	Weight (g)	Order code
	25-Pin - D-Sub cable	IP40	3 meters	380	P8LMH25M3A
			9 meters	780	P8LMH25M9A
		IP65	9 meters	790	P8LMH25B9A


Adaptors for Industrial Communication

	Description	ISO Size	Port size	Weight (g)	Order code
	Turck BL76 Valve Driver Module Without 16 DO module 16 outputs and blank module to be ordered seaparely (See Turck BL67 section)	Size 1	G1/2"	1400	PS4020T01CP
		Size 2	G3/4"	1600	PS4120T01CP
		Size 3	G3/4"	2800	PS4220T01CP
	Turck BL76 Valve Driver Module For configuration up to 16 solenoids Including 1 x 16 DO & 1 blank module	Size 1	G1/2"	1520	PS4020T11CP
		Size 2	G3/4"	1720	PS4120T11CP
		Size 3	G3/4"	2920	PS4220T11CP
	Turck BL76 Valve Driver Module For configuration up to 32 solenoids Including 2 x 16 DO modules	Size 1	G1/2"	1520	PS4020T21CP
		Size 2	G3/4"	1720	PS4120T21CP
		Size 3	G3/4"	2920	PS4220T21CP
	Isysnet Valve Driver Module For configuration up to 32 solenoids	Size 1	G1/2"	1580	PS4020L61CP
		Size 2	G3/4"	1800	PS4120L61CP
		Size 3	G3/4"	3000	PS4220L61CP
	Moduflex Fieldbus module adaptor	Size 1	G1/2"	1300	PS4020M41CP
		Size 2	G3/4"	1500	PS4120M41CP
		Size 3	G3/4"	2700	PS4220M41CP


For Turck BL67, Isysnet, Moduflex communication gateways and I/O modules, refer to respective sections in following pages.

Plug-in 5599-2, Sizes 1, 2 & 3 Manifold Kits




Single Position Front Ported Manifold

Description		ISO Size	Port size	Weight (g)	Order code	
	Non collective wiring Terminal strip For single or double solenoid valves	2 - 56 mm	G1/2"	-	PS411158CCP	
		3 - 71 mm	G3/4"	-	PS421150CCP	
	Collective wiring Single address board For single solenoid valves	2 - 56 mm	G1/2"	-	PS411158JCP	
		3 - 71 mm	G3/4"	-	PS421150JCP	
		Double address board For double solenoid valves	2 - 56 mm	G1/2"	-	PS411158MCP
			3 - 71 mm	G3/4"	-	PS421150MCP

Single Position Front & Bottom Ported Manifold

Description		ISO Size	Port size	Weight (g)	Order code	
	Non collective wiring Terminal strip For single or double solenoid valves	1 - 43 mm	G3/8"	-	PS401166CCP	
		2 - 56 mm	G1/2"	-	PS411168CCP	
		3 - 71 mm	G3/4"	-	PS421160CCP	
	Collective wiring Single address board For single solenoid valves	1 - 43 mm	G3/8"	-	PS401166JCP	
		2 - 56 mm	G1/2"	-	PS411168JCP	
		3 - 71 mm	G3/4"	-	PS421160JCP	
		Double address board For double solenoid valves	1 - 43 mm	G3/8"	-	PS401166MCP
			2 - 56 mm	G1/2"	-	PS411168MCP
			3 - 71 mm	G3/4"	-	PS421160MCP

Accessories

Description		ISO Size	Port size	Weight (g)	Order code
	Blanking Plate	1 - 43 mm	G3/8"	-	PS4034CP
		2 - 56 mm	G1/2"	-	PS4134CP
		3 - 71 mm	G3/4"	-	PS4234CP
	Insulating Plugs	1 - 43 mm	G3/8"	-	PS4032CP
		2 - 56 mm	G1/2"	-	PS4132CP
		3 - 71 mm	G3/4"	-	PS4232CP
	Manifold to Manifold Gasket Kit	1 - 43 mm	G3/8"	-	PS4013P
		2 - 56 mm	G1/2"	-	PS4113P
		3 - 71 mm	G3/4"	-	PS4213P

Solenoid actuator Iso valve for multiple and centralised field bus

- Size 1, 2, 3
- Heavy duty and corrosion resistant body
- Internal led rectifier
- Internal or external pilot supply with same valve
- Multiple connection, SubD25, M23, Terminal block
- Communication with Turck BL67 Remote I/O System, Isysnet System or Moduflex Bus

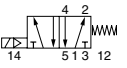
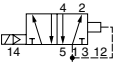
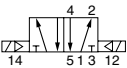
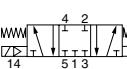

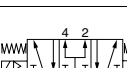


Operation information


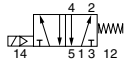
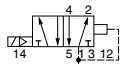
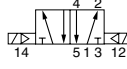
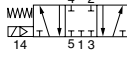


Working pressure :	2,0 to 10 bar		
Working temperature :	-15 to +50°C		
	Size 1	Size 2	Size 3
Flow (Qmax.) :	34,5 l/s	69,0 l/s	130,8 l/s
Flow (Qn) :	20,8 l/s	42,0 l/s	83,7 l/s

Isys ISO 5599-2 - Sizes 1, 2 & 3


Solenoid operated ISO valve with operator and 24 Vdc / 2,7 W Plug-in coil

Symbol	Description	Size	Weight (g)	Order code
	5/2 single solenoid - Spring return	1 - 43 mmmm	770	H1EVXBG0B9D
		2 - 56 mm	1190	H2EVXBG0B9D
		3 - 71 mm	1470	H3EVXBG0B9D
	5/2 single solenoid - Differential	1 - 43 mmmm	770	H11VXBG0B9D
		2 - 56 mm	1190	H21VXBG0B9D
		3 - 71 mm	1470	H31VXBG0B9D
	5/2 double solenoid	1 - 43 mmmm	940	H12VXBG0B9D
		2 - 56 mm	1360	H22VXBG0B9D
		3 - 71 mm	1640	H32VXBG0B9D
	5/3 Closed center (APB)	1 - 43 mmmm	940	H15VXBG0B9D
		2 - 56 mm	1360	H25VXBG0B9D
		3 - 71 mm	1640	H35VXBG0B9D
	5/3 Vented center	1 - 43 mmmm	940	H16VXBG0B9D
		2 - 56 mm	1360	H26VXBG0B9D
		3 - 71 mm	1640	H36VXBG0B9D
	5/3 Pressurised center	1 - 43 mmmm	940	H17VXBG0B9D
		2 - 56 mm	1360	H27VXBG0B9D
		3 - 71 mm	1640	H37VXBG0B9D

Isys ISO 5599-2 - Sizes 1, 2 & 3
Solenoid operated ISO valve with operator without Plug-in coil

Symbol	Description	Size	Weight (g)	Order code	
		5/2 single solenoid - Spring return	1 - 43 mmmm 2 - 56 mm 3 - 71 mm	650 1070 1350	H1EVXBGXDXD H2EVXBGXDXD H3EVXBGXDXD
		5/2 single solenoid - Differential	1 - 43 mmmm 2 - 56 mm 3 - 71 mm	650 1070 1350	H11VXBGXDXD H21VXBGXDXD H31VXBGXDXD
		5/2 double solenoid	1 - 43 mmmm 2 - 56 mm 3 - 71 mm	700 1120 1400	H12VXBGXDXD H22VXBGXDXD H32VXBGXDXD
		5/3 Closed center (APB)	1 - 43 mmmm 2 - 56 mm 3 - 71 mm	700 1120 1400	H15VXBGXDXD H25VXBGXDXD H35VXBGXDXD
		5/3 Vented center	1 - 43 mmmm 2 - 56 mm 3 - 71 mm	700 1120 1400	H16VXBGXDXD H26VXBGXDXD H36VXBGXDXD
		5/3 Pressurised center	1 - 43 mmmm 2 - 56 mm 3 - 71 mm	700 1120 1400	H17VXBGXDXD H27VXBGXDXD H37VXBGXDXD

Plug-in Coil for 5599-2 ISO Valve - Sizes 1, 2 & 3

Description	Voltage	Weight (g)	Order code
	12 Vdc	-	PS404145P
	24 Vdc	-	PS4041B9P
	24 Vac	-	PS404142P
	120 Vac	-	PS404123P
	240 Vac	-	PS404157P

Sandwich regulator for Plug-in or not Plug-in ISO 15407 (Sizes 02 & 01) and 5599 (Sizes 1, 2 & 3)

Order chart

Function Description see below

PS40 **37** **1** **6** **6** **CP**

ISO Size	
ISO 15407	
PS56	Size 02 (HB - 18 mm)
PS55	Size 01 (HA - 26 mm)
ISO 5599	
PS40	Size 1 (H1 - 43 mm)
PS41	Size 2 (H2 - 56 mm)
PS42	Size 3 (H3 - 71 mm)

ISO Version	
P	For ISO 15407
CP	For ISO 5599

Connecting version	
37	ISO-1 : For Non Plug-in Valve
38	ISO-2 : For Plug-in Valve

Regulator function	
1	Common Pressure Regulator
2	Independent Pressure Regulator

Port 4	Port 2
Port Regulator / Gauge*	
0	Line By-Pass Plate**
1	0-2 Bar - without gauge
2	0-4 Bar - without gauge
3	0-8 Bar - without gauge
4	0-2 Bar - with gauge
5	0-4 Bar - with gauge
6	0-8 Bar - with gauge

* For Common Pressure Regulator Option, Regulator Gauge callout must be the same number for both port #4 and Port #2 (Example: 166)

** For H1, H2 & H3 only. Pressure Line By-Pass Option can only be used with Independent Pressure Regulators

Pressure Regulators functions

Common port regulation

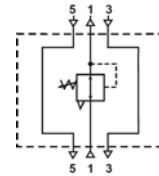
Provides adjustable regulated air pressure to the valves #1 port which gives the same regulated pressure to both the #2 and #4 port of the manifold or subbase. The regulator is always on the 14 end of the valve.



For HB & HA



For H1, H2 & H3



Part number code 1 X X

Independent port regulation

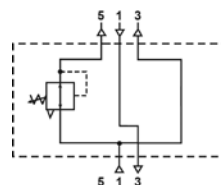
Single Port Regulator

Provides regulated pressure to both ports. Pressure regulation can occur out of the #2 or #4 port of the valve. Full line pressure would be provided with a pass plate.



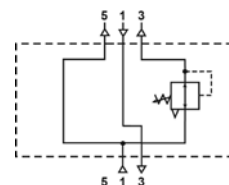
For H1, H2 & H3

Regulation on port #4



Part number code 2 X 0

Regulation on port #2



Part number code 2 0 Y

Dual Port Regulator

When using an independent Pressure Sandwich Regulator, the cylinder outlet ports are reversed. The 12 end energizes the #2 port. The 3-position CE and PC functions are also reversed.

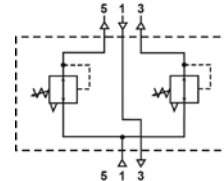


For HB & HA








For H1, H2 & H3

Regulation on both ports #4 & #2



Part number code 2 X Y

Sandwich regulator with Gauge

	ISO Size	Regulator function	Pressure On port 4 and / or port 2	Order code	
				ISO-1 Non Plug-in	ISO-2 Plug-in
	02 - 18 mm	Common	0 to 4 bar	PS5637155P	PS5638155P
			0 to 8 bar	PS5637166P	PS5638166P
	Independent		0 to 4 bar	PS5637255P	PS5638255P
			0 to 8 bar	PS5637266P	PS5638266P
	01 - 26 mm	Common	0 to 4 bar	PS5537155P	PS5538155P
			0 to 8 bar	PS5537166P	PS5538166P
	Independent		0 to 4 bar	PS5537255P	PS5538255P
			0 to 8 bar	PS5537266P	PS5538266P
	1 - 43 mm	Common	0 to 4 bar	PS4037155CP	PS4038155CP
			0 to 8 bar	PS4037166CP	PS4038166CP
	Independent		0 to 4 bar	PS4037255CP	PS4038255CP
			0 to 8 bar	PS4037266CP	PS4038266CP
	2 - 56 mm	Common	0 to 4 bar	PS4137155CP	PS4138155CP
			0 to 8 bar	PS4137166CP	PS4138166CP
	Independent		0 to 4 bar	PS4137255CP	PS4138255CP
			0 to 8 bar	PS4137266CP	PS4138266CP
	3 - 71 mm	Common	0 to 4 bar	PS4237155CP	PS4238155CP
			0 to 8 bar	PS4237166CP	PS4238166CP
	Independent		0 to 4 bar	PS4237255CP	PS4238255CP
			0 to 8 bar	PS4237266CP	PS4238266CP

How to Configure Sandwich Regulator / Valve Combinations

Ordering Components

- Manifold or Subbase Kit required.
- Sandwich Regulator Kit configured for Internal Pilot as standard.
- Order valve as External Pilot.


Internal Pilot Configuration

Pressure in Base Port 1 feeds regulator configured for Internal Pilot which feeds valve configured for External Pilot.


External Pilot Configuration - H1, H2, H3

An External Pilot pressure in port 12 or 14 of the base feeds through the Sandwich Regulator 12 or 14 galley directly to the 12/14 pilot of the valve. This configuration takes an External Pilot from the 12 port of the base and passes it through the regulator to feed the 12 galley of the valve.

Sandwich Regulator Accessories

	Description	Pressure range	w (g)	Order code
	Gauge kit Including: Gauge 1/8" female to 1/8" female coupling 1/8" male to 1/8" male long nipple	0 to 8 bar	80	PS5651160P

Sandwich Flow Control

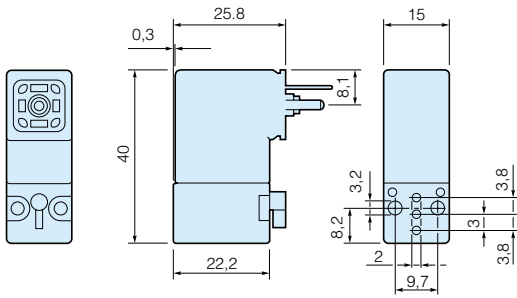
	ISO Size	w (g)	Order code	
			ISO-1 Non Plug-in	ISO-2 Plug-in
	02 - 18 mm	180	PS5635P	PS5642P
	01 - 26 mm	240	PS5535P	PS5542P
	1 - 43 mm	340	PS4035CP	PS4042CP
	2 - 56 mm	520	PS4135CP	PS4142CP
	3 - 71 mm	1180	PS4235CP	PS4242CP

Note:

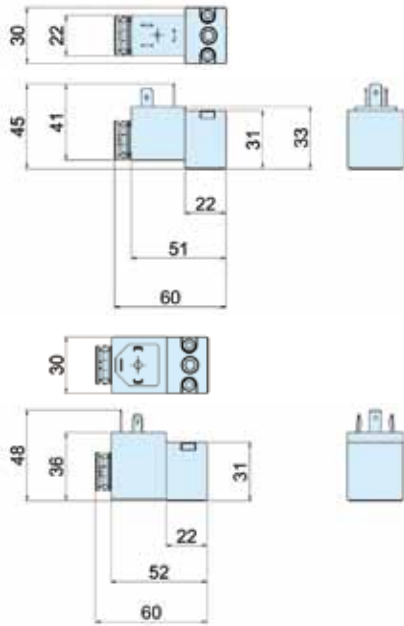
- Both adjustment screws are located on the same 12 end of the unit
- Sandwich Flow Control mounts with its own studs, which means the valve uses standard bolts for mounting
- Sandwich Flow Control is not to be used as a shut off device and is not bubble tight when needles are fully turned down

Cable Plug Dimensions (mm)

Solenoid operators P2E - 15mm

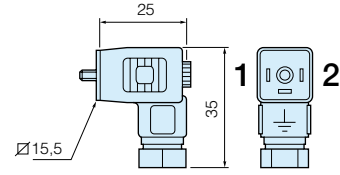


Solenoid operators P2F - CNOMO - 22 x 30mm



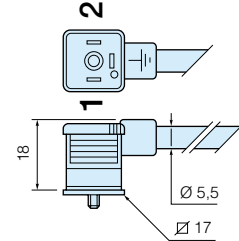
Cable plugs

- P8L-C2
- P8LC5
- P8L-C226C
- P8L-C526C
- P8L-CA26C
- P8L-C221E
- P8L-C521E



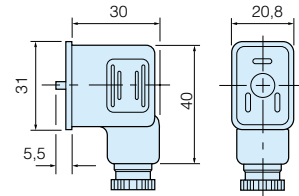
Cable plugs

- P8C-C
- P8C-C26C
- P8C-C21E
- P8C-D
- P8C-D26C
- P8C-D21E



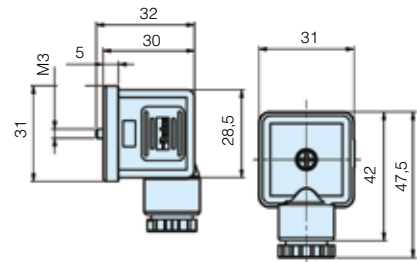
Cable plugs

- 3EV10V10



Cable plugs

- 3EV290V10



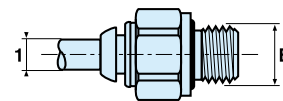
Accessories

Silencers



Port	Ordercode	Pack Qty
G1/8	P6M-PAB1	10
G1/4	P6M-PAB2	10
G3/8	P6M-PAB3	10
G1/2	P6M-PAB4	10

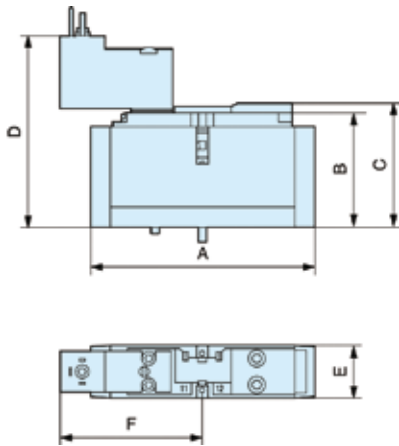
Fittings



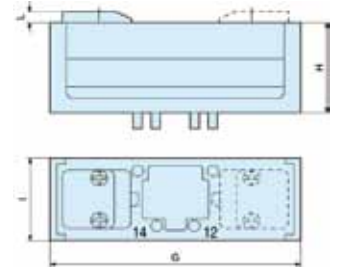
Male connector - BSPP

Tube dia 1	Thread B	Ordercode	Box Qty
4	1/8	F4PMB4-1/8	20
4	1/8	F4PMB4-1/8	20
6	1/8	F4PMB6-1/8	30
8	1/8	F4PB8-1/8	40
6	1/4	F4PMB6-1/4	30
8	1/4	F4PB8-1/4	30
10	1/4	F4PB10-1/4	20
12	1/4	F4PB12-1/4	10
8	3/8	F4PB8-3/8	20
10	3/8	F4PB10-3/8	20
12	3/8	F4PB12-3/8	10
14	3/8	F4PB14-3/8	10
10	1/2	F4PB10-1/2	10
12	1/2	F4PB12-1/2	10
14	1/2	F4PB14-1/2	10

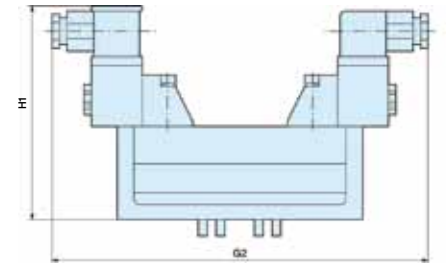
Isomax - Dimensions (mm)



Pneumatically actuated



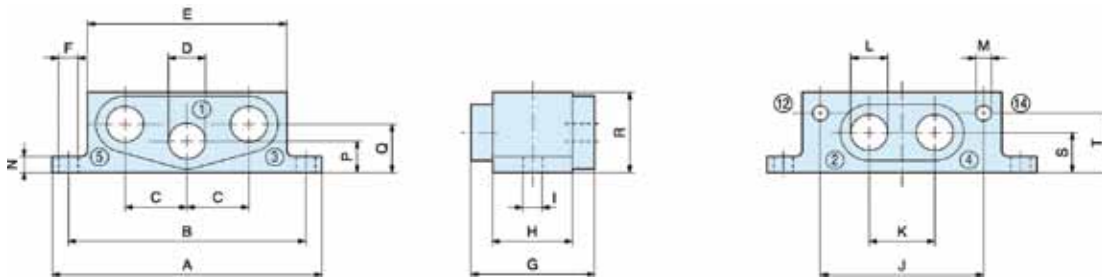
With P2F solenoids



	A	B	C	D	E	F
Isomax 02	80	41	44,5	67,8	18	51,2
Isomax 01	100	42	45,5	68,8	26	51,2

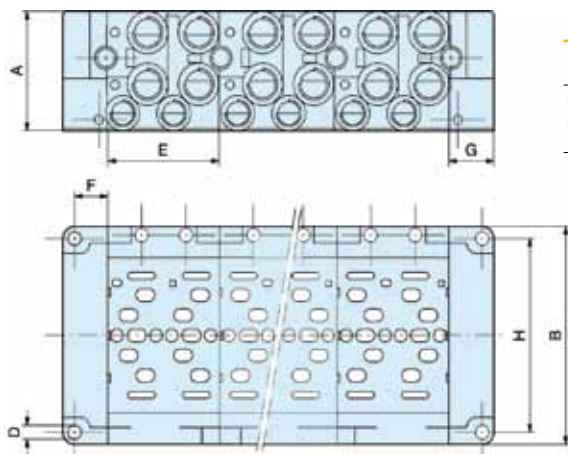
	G	G1	G2	G3	H	H1	I	L
Size 1	120	164	202,5	160	47	119	42	5
Size 2	140	179,5	218	175,5	58,5	130	54	5
Size 3	170	198	235,5	194	71	142,5	68	5

Single subbases side ported



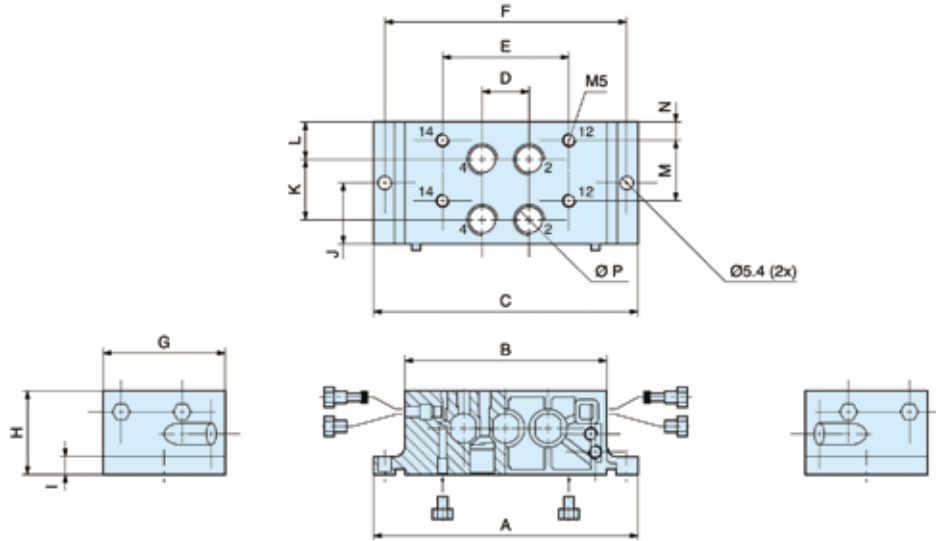
	Size	A	B	C	D	E	F	G	H	I	J	K	L	M	N	P	Q	R	S	T
PL02-01-70	02	80	70	16	G1/8	52	8	27	19	5,5	40	17	G1/8	M5	8	8	8	22	13	6
P2V-BS512SS	01	92	80	21,2	G1/8	68	6,5	42	27	5,5	55	22	G1/8	M5	6	11	17	28	14	21

Side ported manifolds for 2 valve positions



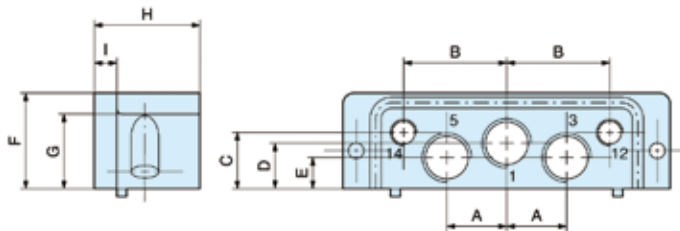
	Size	A	B	C	D	E	F	G	H
PJLP02-201-70	02	38,5	80	12	Ø 4,2	38	14	18	72
PJLP01-201-70 PJLP01-202-70	01	55	100	24	Ø 5,5	54	17	22	90

Bottom ported manifolds for 2 valve positions



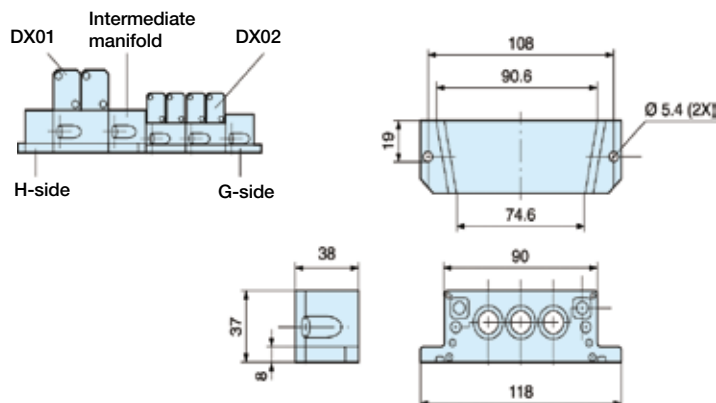
	Size	A	B	C	D	E	F	G	H	I	J	K	L	M	N	P
P2V-AM511PB	02	102	74	74,6	16	43	92	38	26	7	19	19	11	19	5	G1/8
P2V-BM512PB	01	118	90	90,6	21	56,5	108	54	37	8	27	27	16,5	27	8	G1/4

G and H side end plate bottom ported for above bottom ported manifold

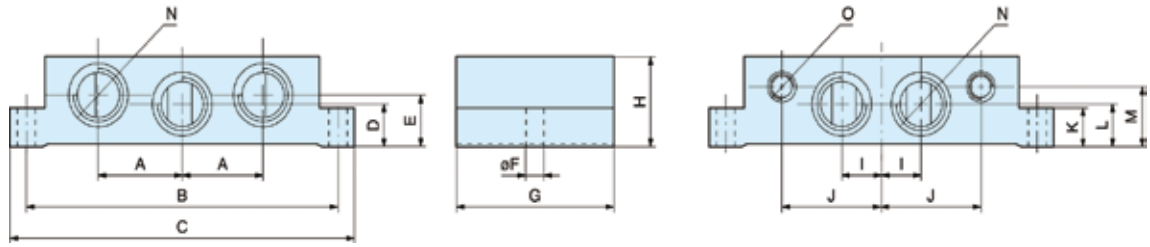


	Size	Port size 1,2,3	Port size 12, 14	A	B	C	D	E	F	G	H	I
P2V-AM512GB and P2V-AM512HB	02	G1/4	G1/8	17	29	21	18,5	9,5	35,5	28	33	7
P2V-BM513GB and P2V-BM513HB	01	G3/8	G1/8	21,5	37	20	16	11	34,5	28	38	8

Transfer plate size 01 to size 02 for above bottom ported manifold

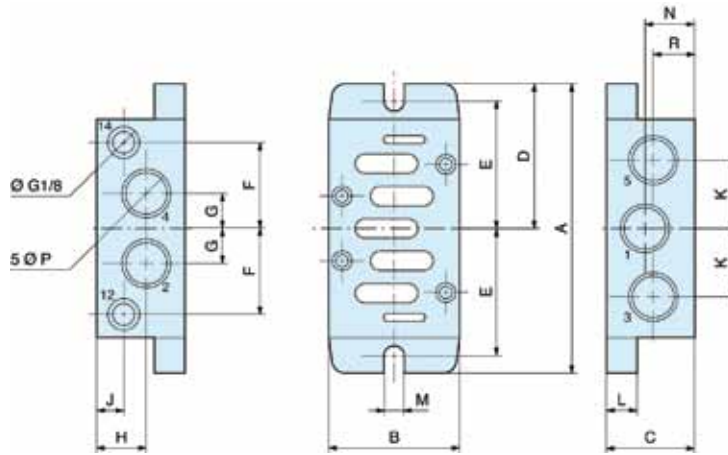


Single subbase with side ports according to VDMA



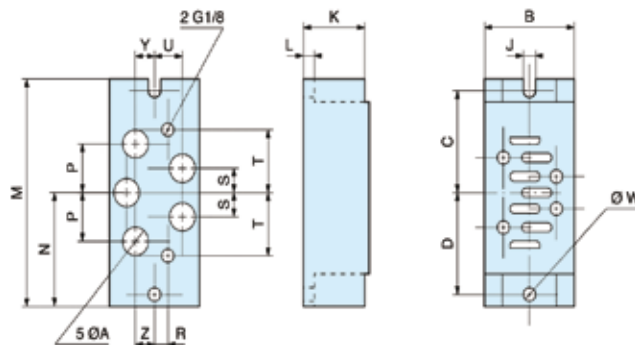
Order code	ISO Size	Port Size	A	B	C	D	E	F	G	H	I	J	K	L	M	N	O
P2N-VS512SD	1	G1/4	21,5	98	110	11	20	5,5	48	32	12	29	10	11	23	G1/4	G1/8
P2N-WS513S	2	G3/8	28	112	124	14	26	6,6	56	40	15	37	13	14	30	G3/8	G1/8
P2N-YS514SD	3	G1/2	34	136	149	17	17	6,6	71	32	16	45	18	17	22	G1/2	G1/8

Single subbase with side ports



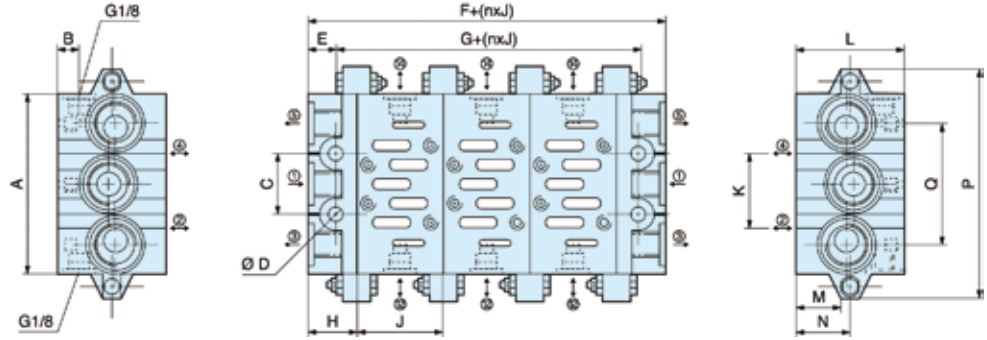
Order code	ISO Size	ØP	A	B	C	D	E	F	G	H	J	K	L	M	N	R
PL1-1/4-70	1	G1/4	110	46	29	55	49	30	11	17,75	17,75	22	6	5,5	17,75	17,75
PL2-3/8-70	2	G3/8	124	56	37	62	55	37	14,5	22,5	14	28	6	5,5	22,5	14,5
P2N-JS516SD	3	G3/4	149	71	60	74,5	68	45	21	33	10	40	18	6,6	37,5	22,5

Single subbase with bottom ports



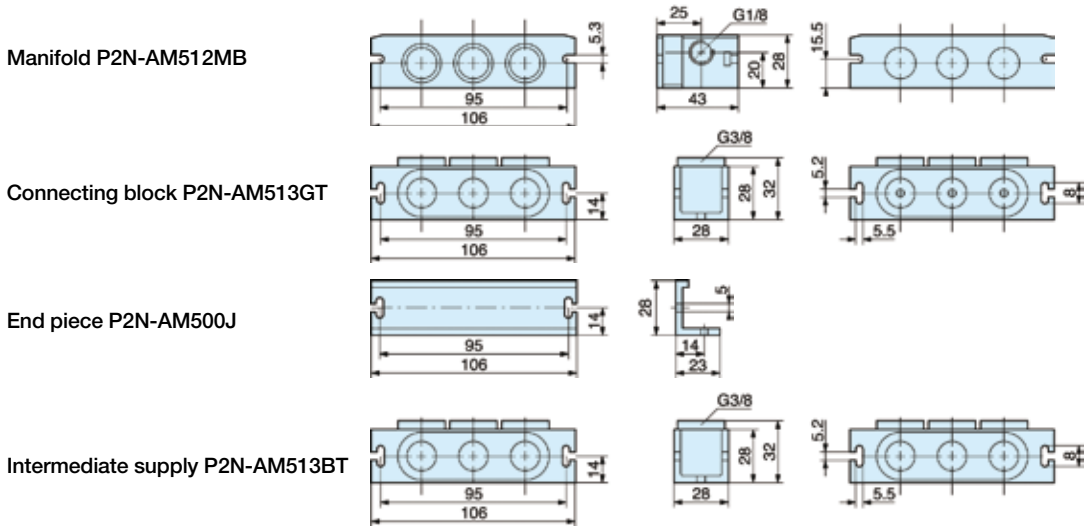
Order code	A	B	C	D	J	K	L	M	N	P	R	S	T	U	W	Y	Z
PD1-1/4-70	G1/4	46	49	49	5,5	29	6	110	55	22	10	11	30	10	5,5	10	10
PD2-3/8-70	G3/8	56	55	55	5,5	37	6	124	62	29	10	14,5	37	12,5	5,5	12,5	12,5
PD3-1/2-70	G1/2	77	68	68	6,6	32	18	149	74,5	34	10	17	45	17	6,5	17	17

Manifold and end plates according to VDMA (P2N-VM / WM / YM)

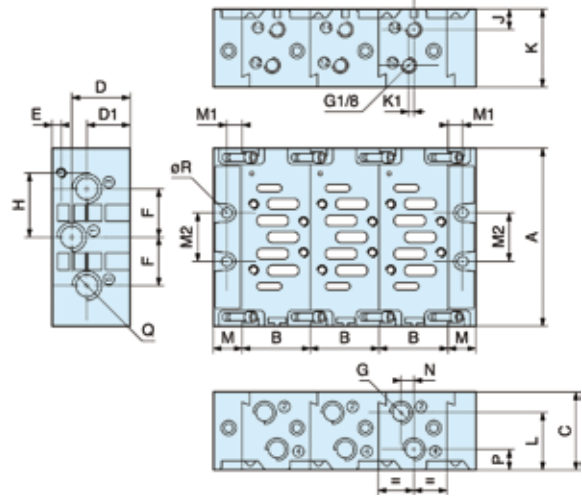


ISO Size	Port 1, 3, 5	Port 2, 4	A	B	C	D	E	F	G	H	J	K	L	M	N	O	P
1	G3/8	G1/4	85	8,5	28	7	11	44	22	22	43	26	46	21	24	56	110
2	G1/2	G3/8	100	9	35	9	13	52	26	26	56	30	47	22	24	68	135
3	G1	G1/2	140	10	52	12	15	60	30	30	71	38	56	31	34	104	190

Manifold and end plates with bottom ports "low profile" (P2N-AM..)



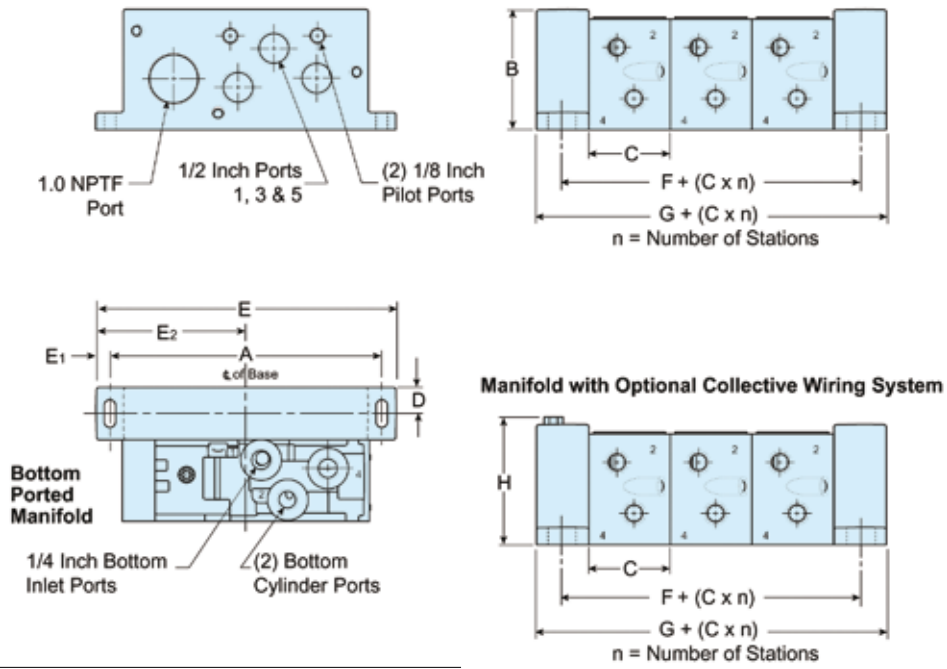
Manifold and end plates with side ports (P2N-EM / FM..)



Order code	A	B	C	D	D1	E	F	G	H	J	K	K1	L	M	M1	M2	N	P	Q	R
P2N-EM ...	110	43	48	35,5	26,5	5,5	28	G1/4	36	15,5	35	3	32	20	11	28	12	12,5	G3/8	6
P2N-FM ...	129	56	60	44,5	35,5	6	34,5	G3/8	45	16	41,5	3	41	24	13	35	12,5	16	G1/2	8

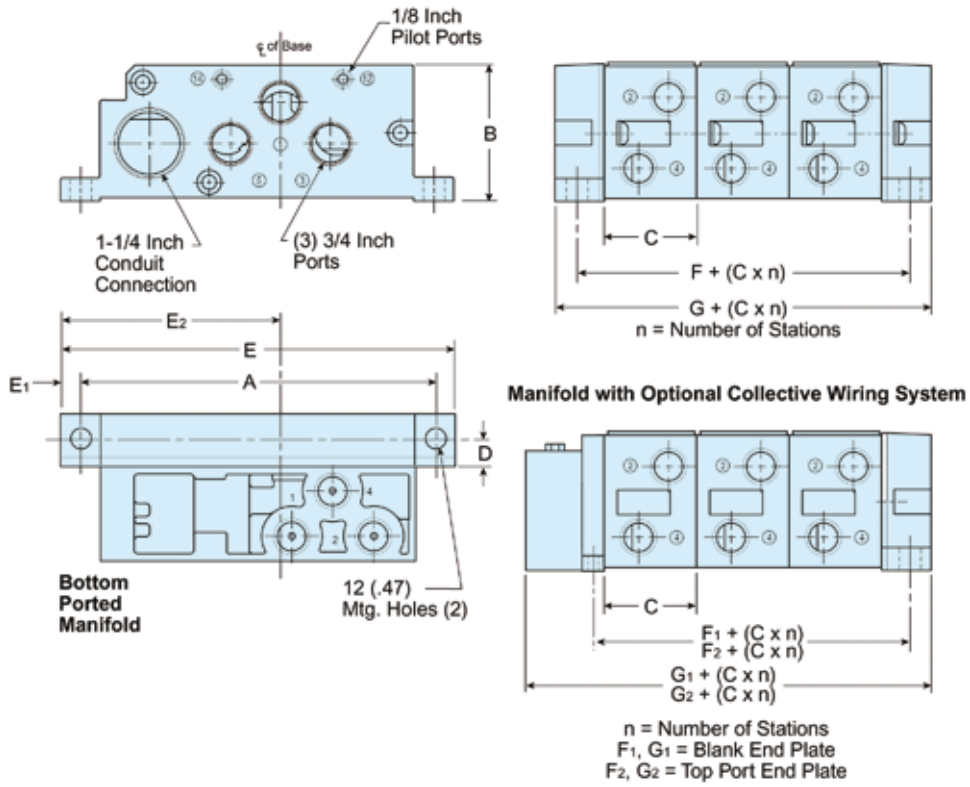


H1 5599-2 / 5599-1 Manifold



	A	B	C	D	E	E ₁	E ₂	F	G	H
H1	165	73	49	15.9	182	.84	91	31.8	63.5	76

H2 / H3 5599-2 / 5599-1 Manifold



	A	B	C	D	E	E ₁	E ₂	F	F ₁	F ₂	G	G ₁ *	G ₂ *
H2	215	85	56	15	239	12	134	30	27	33	60	87	99

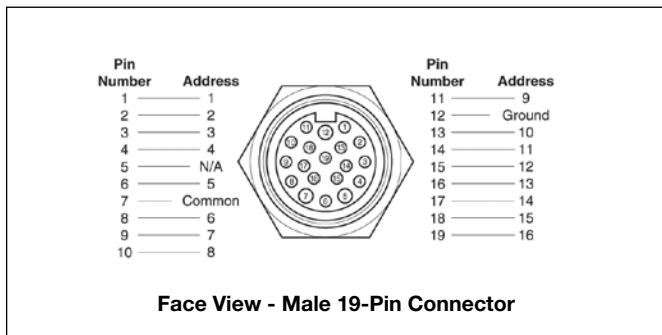
	A	B	C	D	E	E ₁	E ₂	F	F ₁	F ₂	G	G ₁ *	G ₂ *
H3	265	105	71	17	295	15	159	33	29	41	63	90	114

Maximum Solenoids Energized Simultaneously

HA HB code	Voltage D-Sub	25-pin round	19-pin M23	Single 12-pin Isysnet		
24 V DC	B9 / G9	24	16	8	32	
120 V AC*	23	24	16	8	32	
H1 H2 H3	Voltage code	25-pin D-Sub	19-pin round	Single 12-pin M23	Isysnet	SAM 3.0
12 V DC	45	13	13	8	N/A	N/A
24 V AC*	42	24	16	8	N/A	N/A
24 V DC	B9	20	16	8	21	4
120 V AC*	23	24	16	8	N/A	N/A

* Not CSA certified for 25-pin, D-Sub option.

19-Pin Round Brad Harrison



19-Pin Round Cable Specifications

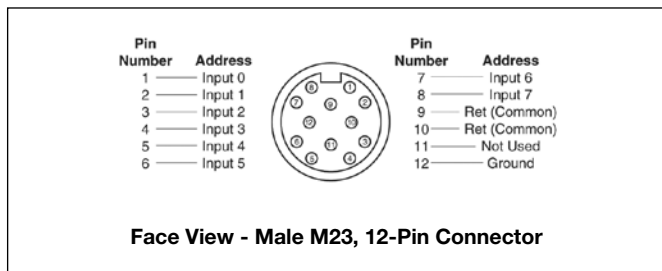
Common Pin "7" is rated for 8 amps. Cable common wire must be greater than total amperage of solenoids on Add-A-Fold assembly.

Example:- 8 station manifold, 16 solenoids,
120VAC - 16 x .039 amps = .63 total amp rating.
NEMA 4 rated with properly assembled NEMA 4 rated cable.

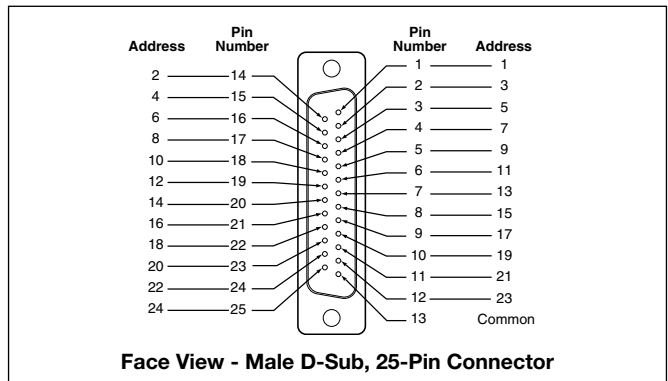
Brad Harrison #333030P80M050 16.40 ft. (Female to Male Cable)

Brad Harrison #333030P80M0100 32.80 ft. (Female to Male Cable)

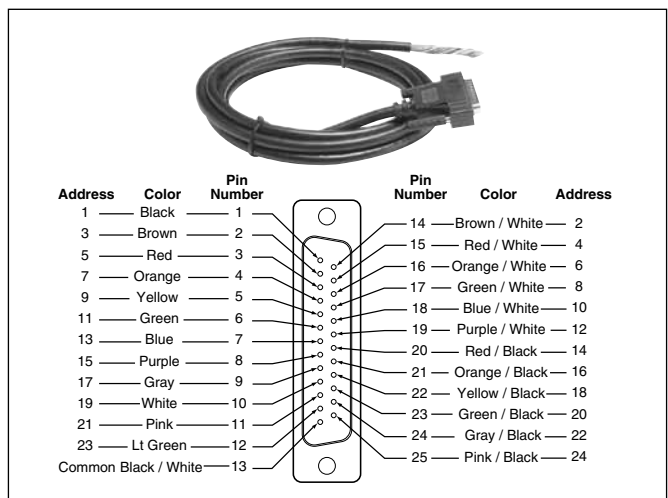
M23, 12-Pin Round Connector (Male)



25-Pin, D-Sub Connector (Male)



25-Pin, D-Sub Cable (Female)

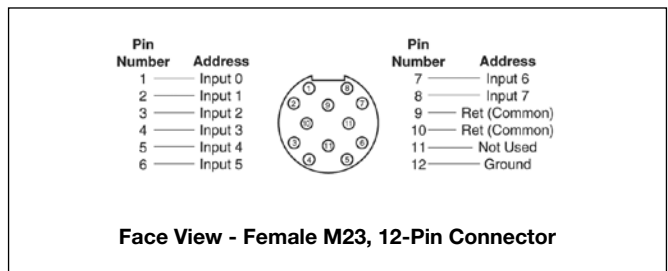


25-Pin, D-Sub Cable Specifications

Common Pin "13" is rated for 3 amps. Common wire rating must be greater than total amperage of all solenoids on a Add-A-Fold assembly.

IP65 rated with properly assembled IP65 rated cable.

M23, 12-Pin Round Connector (Female)

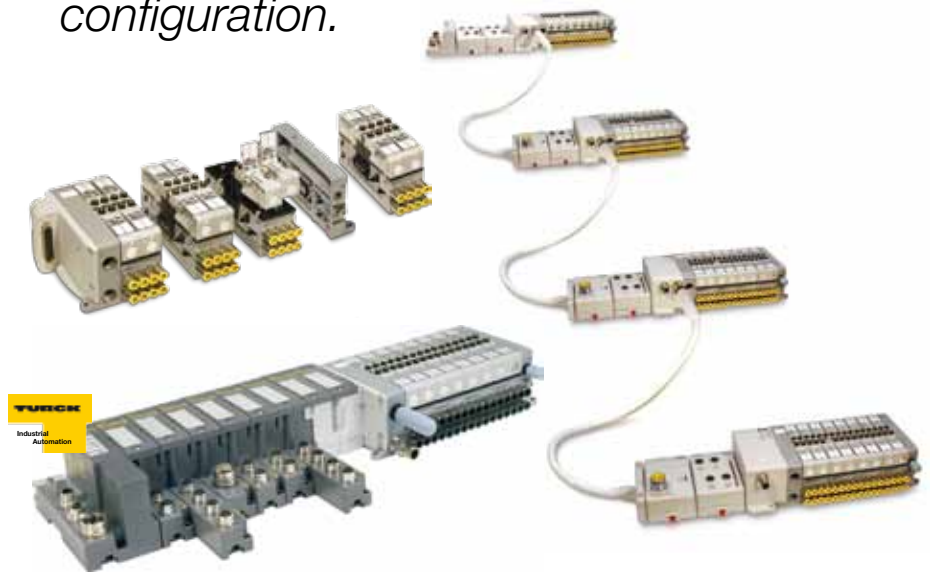




Isys Micro

Plug-in valve island

*Parker's newest and most innovative valve design offers functionality for **every** machine configuration.*



The Isys Micro valve redefines flexibility for pneumatic users. When either configured from basic components or ordered as pre-assembled and tested valve islands, Isys Micro valves are the answer to all your needs.

Flexible in use

The Isys Micro range is fully dedicated to centralized applications where a high quantity of valves have to be concentrated in a single location.

Solenoid valve island can also be implemented with digital or analogical electrical I/O.

From a centralized application high complexity level to a basic configuration, with industrial communication or traditional multi-connection, an Isys Micro valve island can be designed.

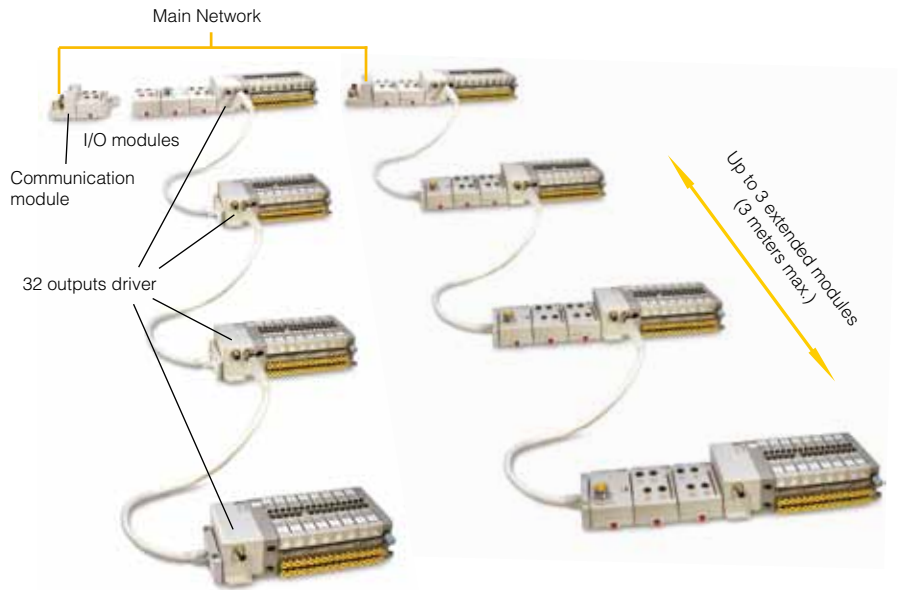


One communication module for 256 Inputs and 256 Outputs

The combination of 32 output drivers and electrical I/O modules linked to the main communication module allows Isys Micro valve islands to drive up to 512 I/O, including up to 128 solenoids split between 4 interconnected devices.

Both electrical inputs and outputs modules can also be assembled either on the main or extended islands.

Expansion power supply may be used to provide additional Pointbus backplane current.



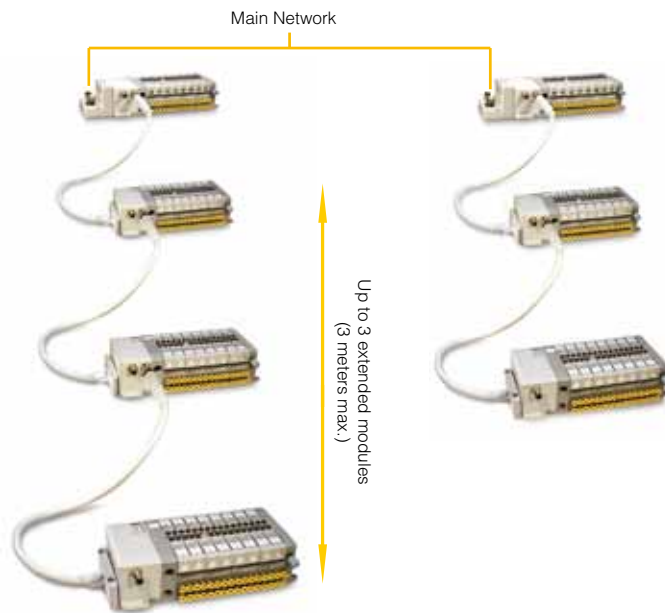
Up to 128 solenoid valves configuration

If a high quantity of valves is required in a centralized application, up to 3 extended islands can be connected to the main device communication module.

All extended islands are connected through a bus extension cable PSSVEXT1 (including 1 m cable and head plate).

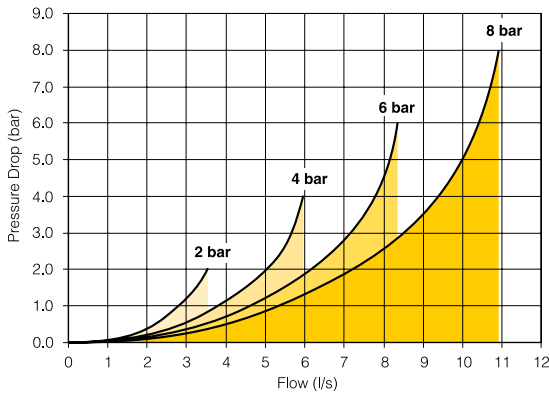
In this configuration, the 32 outputs driver module, on the main island and the extended island, have to be equipped with a "bus extension" M12 connector, excepted for the last extended island.

All 32 outputs driver modules need to be equipped with a M12 solenoids power supply connector.



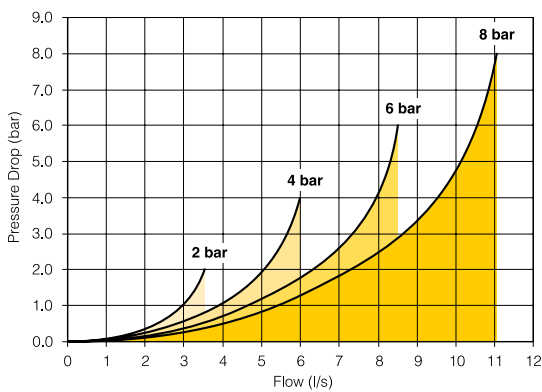
Flow Characteristics

Dual 3/2



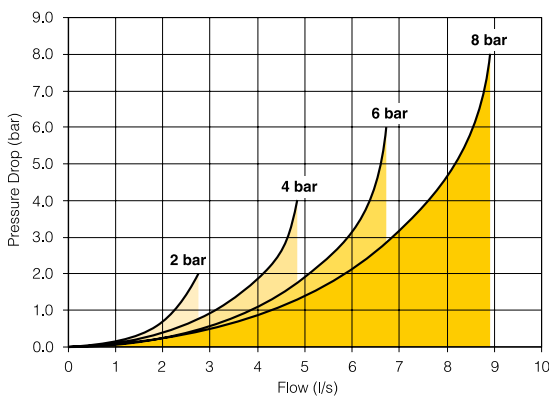
Operating pressure :	2,7 to 8,3 bar
Change-over time (side 14)	Actua. 15 ms Return 20 ms P = 6b
Change-over time (side 12)	15 ms / 25 ms P = 6b
Flow (acc. to ISO 6358) :	c = 1,2 NI/s x bar b = 0,13 Qn = 4,6 NI/s Qmax = 8,4 NI/s

5/2 single and double solenoid



Operating pressure single solenoid:	2,7 to 8,3 bar
Operating pressure double solenoid:	1,7 to 8,3 bar
Change-over time single solenoid:	Actua. 15 ms Return 25 ms P = 6b
Change-over time double solenoid:	13 ms / 13 ms P = 6b
Flow (acc. to ISO 6358) :	c = 1,2 NI/s x bar b = 0,13 Qn = 4,7 NI/s Qmax = 8,5 NI/s

5/3 all ports blocked

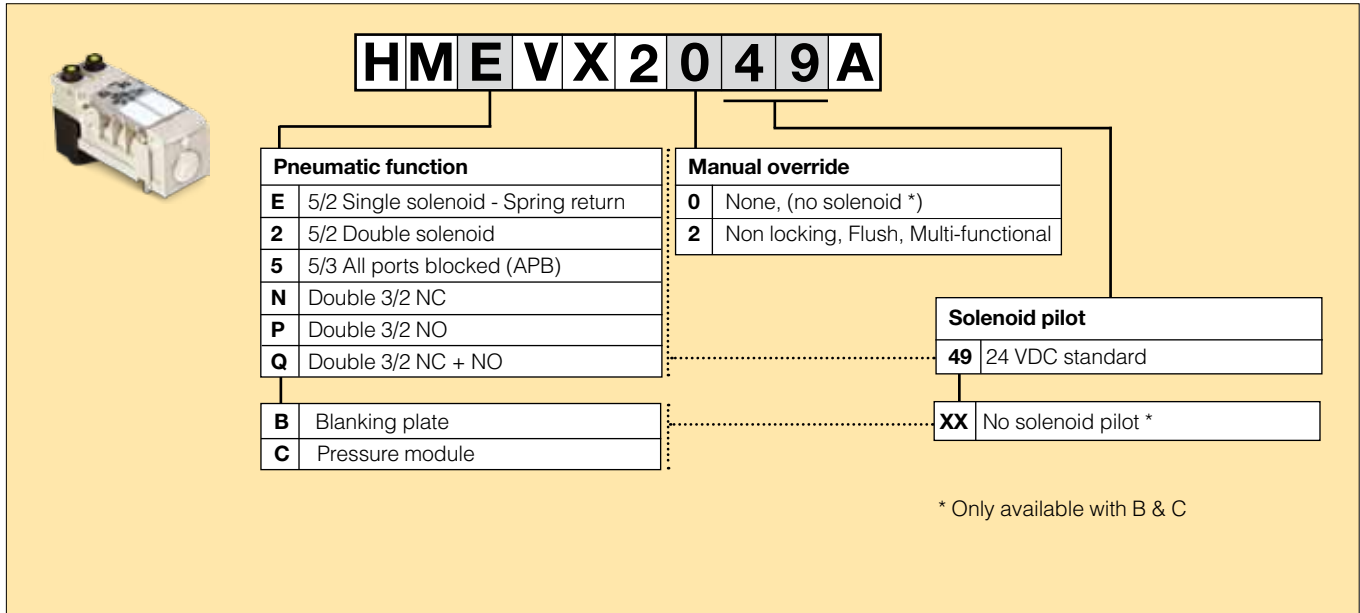


Operating pressure :	2,7 to 8,3 bar
Change-over time	Actua. 20 ms Return 20 ms P = 6b
Flow (acc. to ISO 6358) :	c = 1 NI/s x bar b = 0,14 Qn = 3,8 NI/s Qmax = 6,7 NI/s

Characteristics

Fluid :	Air or inert gas Filtered 40 µ Class 5 (according to ISO 8573-1) Dry class 4 (according to ISO 8573-1) Non-lubricated or lubricated	Operating pressure :	-0.9 to 8,3 bar with external pressure 6 bar
Storage temperature :	-40 °C to + 70 °C	Piloting pressure :	2.7 to 8.3 bar
Working temperature	-15 °C to + 50°C	Exhaust collection :	Independant exhaust collection
Vibration :	according to IEC 68-2-6 2G to 150 Hz	Rated coil voltage :	24 VDC -15 % / +10 %
Shock :	according to IEC 68-2-27 15G 11 ms	Electrical connection:	Not polarised
		Coil insulation :	Class B
		Power consumption :	1 W (42 mA) with LED
		Duty factor :	100 % at 20°C

Valve ordering chart



HMEVX2049A

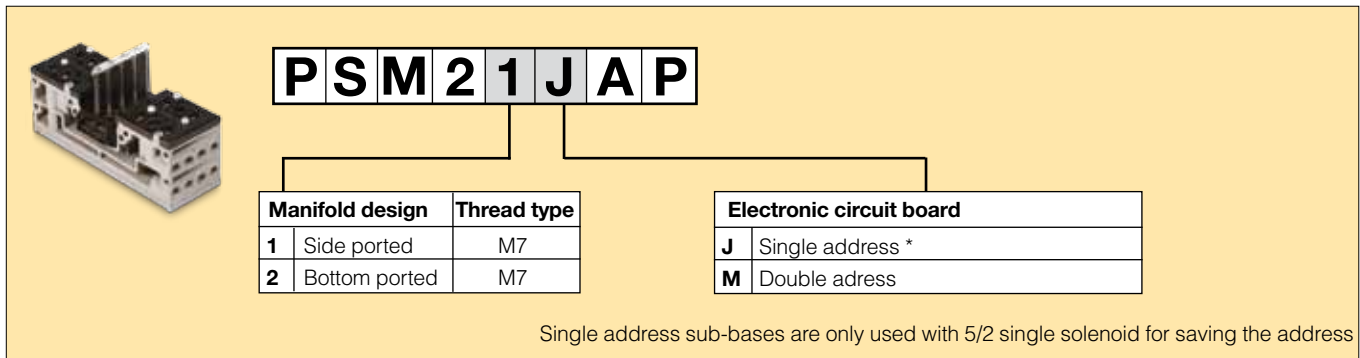
Pneumatic function		Manual override	
E	5/2 Single solenoid - Spring return	0	None, (no solenoid *)
2	5/2 Double solenoid	2	Non locking, Flush, Multi-functional
5	5/3 All ports blocked (APB)		
N	Double 3/2 NC		
P	Double 3/2 NO		
Q	Double 3/2 NC + NO		

Solenoid pilot	
49	24 VDC standard
XX	No solenoid pilot *

B	Blanking plate
C	Pressure module

* Only available with B & C

Manifold ordering chart (without valve module and fitting)



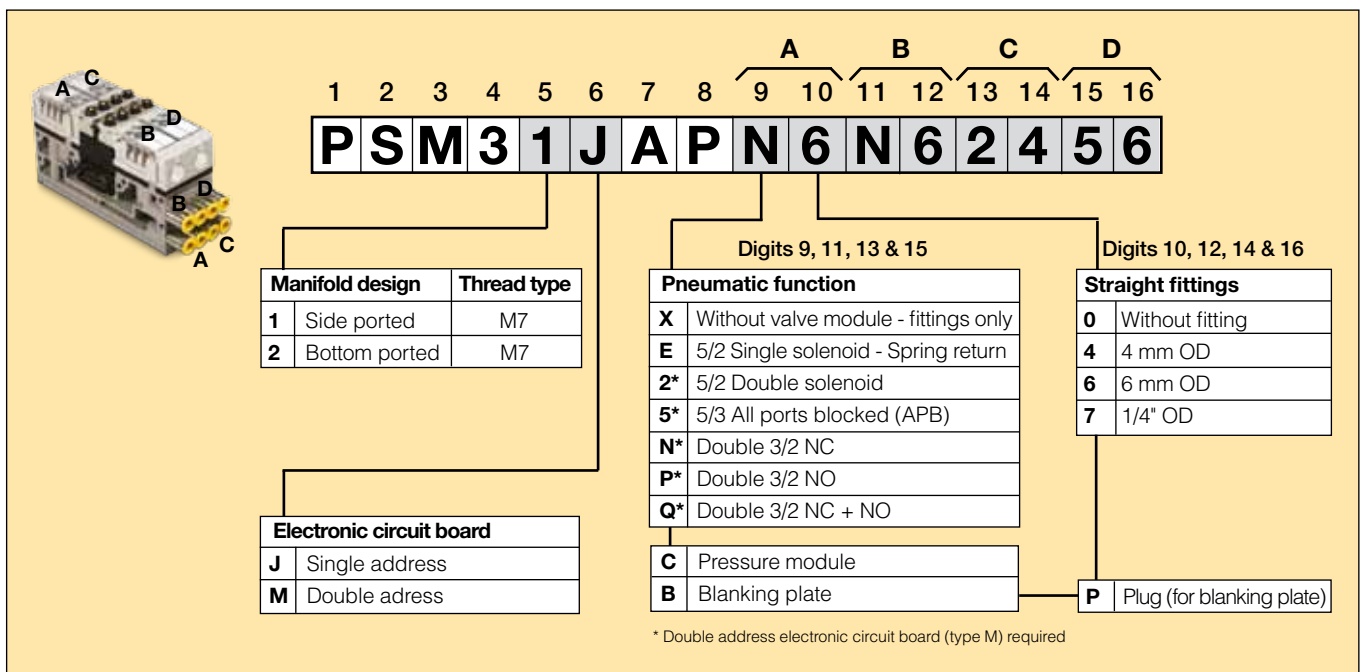
PSM21JAP

Manifold design	Thread type
1	Side ported M7
2	Bottom ported M7

Electronic circuit board	
J	Single address *
M	Double address

Single address sub-bases are only used with 5/2 single solenoid for saving the address

Manifold ordering chart (complete with valve modules and/or fittings)



PSM31JAPN6N62456

Manifold design	Thread type
1	Side ported M7
2	Bottom ported M7

Electronic circuit board	
J	Single address
M	Double address


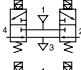
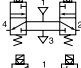
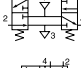
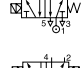
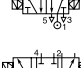
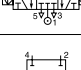

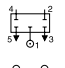
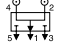
Pneumatic function	
X	Without valve module - fittings only
E	5/2 Single solenoid - Spring return
2*	5/2 Double solenoid
5*	5/3 All ports blocked (APB)
N*	Double 3/2 NC
P*	Double 3/2 NO
Q*	Double 3/2 NC + NO

Straight fittings	
0	Without fitting
4	4 mm OD
6	6 mm OD
7	1/4" OD



C	Pressure module
B	Blanking plate
P	Plug (for blanking plate)

* Double address electronic circuit board (type M) required


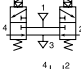
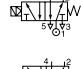

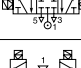

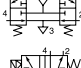
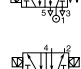
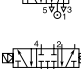

Solenoid operated valve fitted with 24 VDC solenoid

	Symbol	Description	Weight (g)	Order code
 <p>Including multi-function manual override cap</p>		Double 3/2 NC + NC	60	HMNVX2049A
		Double 3/2 NO + NO	60	HMPVX2049A
		Double 3/2 NC + NO	60	HMQVX2049A
		5/2 single solenoid - Spring return	49	HMEVX2049A
		5/2 double solenoid	60	HM2VX2049A
		5/3 all ports blocked (APB)	65	HM5VX2049A
		Blanking module kit (including two M7 plugs for manifold)	30	HMBVX00XXA
		Additional pressure module	30	HMCVX00XXA



Metal manifold for 4 valves (M7 threaded)

	Description	Weight (g)	Order code
 <p>Side ported</p>	4 position manifold single electrical address	332	PSM21JAP
	4 position manifold double electrical address	332	PSM21MAP
 <p>Bottom ported</p>	4 position manifold single electrical address	310	PSM22JAP
	4 position manifold double electrical address	310	PSM22MAP


Complete manifold without fitting (M7 threaded)

	Symbol	Description	Weight (g)	Order code
 <p>Side ported</p>		4 x Double 3/2 NC + NC	572	PSM31MAPN0N0N0N0
		4 x 5/2 single solenoid - Spring return	528	PSM31JAPE0E0E0E0
		4 x 5/2 double solenoid	572	PSM31MAP20202020
		4 x 5/3 all ports blocked (APB)	592	PSM31MAP50505050
 <p>Bottom ported</p>		4 x Double 3/2 NC + NC	550	PSM32MAPN0N0N0N0
		4 x 5/2 single solenoid - Spring return	506	PSM32JAPE0E0E0E0
		4 x 5/2 double solenoid	550	PSM32MAP20202020
		4 x 5/3 all ports blocked (APB)	570	PSM32MAP50505050


Pneumatic accessories

	Description	Size	Tube OD	Material	Order code
	Straight pneumatic connector for sub-base and Px	M7	4 mm	Metal	F28PMB4M7MD
		M7	6 mm	Metal	F28PMB6M7MD
	Straight pneumatic connector for Ex	1/8"	6 mm	Metal	F4PMB6-1/8
		3/8"	8 mm	Metal	F4PB8-3/8
		3/8"	10 mm	Metal	F4PB10-3/8
	Muffler for Ex	1/8"		Metal	ESB12MC
		1/8"		Plastic	P6M-PAB1
	Muffler for exhaust port	3/8"		Metal	ESB37MC

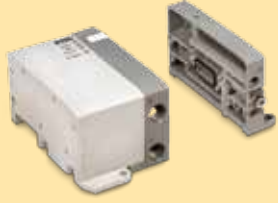
Multi-pressure inter-manifold seal plate

	Description	Pressure port	Exhaust port	Weight (g)	Order code
	Inter-manifold seal plate	Passing / Passing	Passing	16	PSM0001
		Passing / Block	Passing	20	PSM0002
		Passing / Block	Block	30	PSM0003
		Block / Block	Block	40	PSM0004

Spare parts

	Description	Weight (g)	Order code
	24 VDC Pilot solenoid with screws	11	PSM0010
	Set of 10 multifunction manual override caps	15	PSM0011
	Set of 5 valve manifold gaskets and 10 screws	25	PSM0012
	Set of 10 M7 plugs for auxiliary pressure selection	30	PSM0013
	Set of 10 labels (in the P/N, x has to be replaced with the valve function letter)	5	PSM002x
	Set of 10 manifold to manifold M3 screws	20	PSM0014

Isysnet 32 output driver end modules ordering chart



P S M L 6 1 A P

ISYSNET 32 Output driver end modules

	24 VDC power supply connector	Extender bus connector
L6	NO	NO
M5	NO	YES
M6	YES	NO
M7	YES	YES

	Ported design	Thread type
1	Side ported	3/8" BSPP
2	Bottom ported	3/8" BSPP
5	Side ported	3/8" NPT
6	Bottom ported	3/8" NPT

32 outputs driver selection guide :

L6 type

- Isysnet 32 outputs driver with internal solenoids power supply from the communication head module
- Extended valve island not possible



Up to 32 solenoid valves per island

M6 type

- Isysnet 32 outputs driver with external solenoids power supply by M12 male connector
- Extended valve island not possible



Up to 32 solenoid valves per island

M7 type

- Isysnet 32 outputs driver with external solenoids power supply by separated M12 male connector
- Extended Bus link connection for additional valve islands by separate M12 female connector



Up to 32 solenoid valves per island

M5 type

- Isysnet 32 outputs driver with internal solenoids power supply from the communication head module
- Extended Bus link connection for additional valve islands by separate M12 female connector

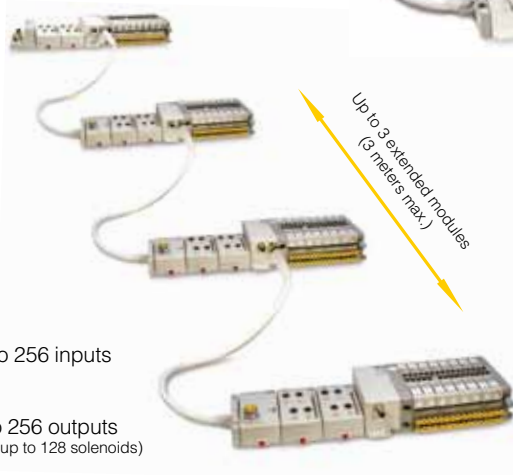


Up to 32 solenoid valves per island

Isysnet bus extender

Isysnet bus extender communication 1 meter cable for instant valve island plug-in by M12 male connector and direct head connection plate on Isysnet device

Every extended island has to be separately power supplied



Up to 3 extended modules (3 meters max.)

Up to 256 inputs





Up to 256 outputs (including up to 128 solenoids)

Technical data


Isysnet 32 Outputs driver modules

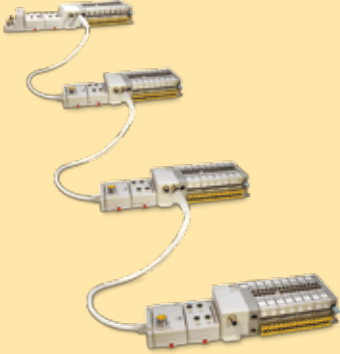
- Number of Outputs : 32
- Operating Voltage Range : 20,4 to 26.4 VDC
- Output current rating Nom. : 50 mA per channel (100 mA Max)
3.2A per module
- Pointbus current : 200 mA
- Working temperature : -15°C to 50°C
- Dust and water protection : IP65

Isysnet 32 outputs driver modules

	Sub-base design	Thread type	24 VDC power supply	Extender bus	Weight (g)	Order code
	Side ported	3/8" BSPP	NO	NO	400	PSML61AP
	Bottom ported	3/8" BSPP	NO	NO	400	PSML62AP
	Side ported	3/8" BSPP	YES	NO	400	PSMM61AP
	Bottom ported	3/8" BSPP	YES	NO	400	PSMM62AP
	Side ported	3/8" BSPP	NO	YES	400	PSMM51AP
	Bottom ported	3/8" BSPP	NO	YES	400	PSMM52AP
	Side ported	3/8" BSPP	YES	YES	400	PSMM71AP
	Bottom ported	3/8" BSPP	YES	YES	400	PSMM72AP

Isysnet bus extender

	Description	Weight (g)	Order code
	Head plate 1 meter cable / M12 male connector for extended island inter-connection	380	PSSVEXT1



Communication modules :

- Fieldbus
- Industrial Ethernet

Digital and Analogical I/O modules
 Extended power supply module
 IP67 modules

Isysnet Communication and I/O modules

Isysnet Communication modules

Isysnet communication modules are available in :

- DeviceNet
- Profibus DP
- Ethernet I/P
- ControlNet



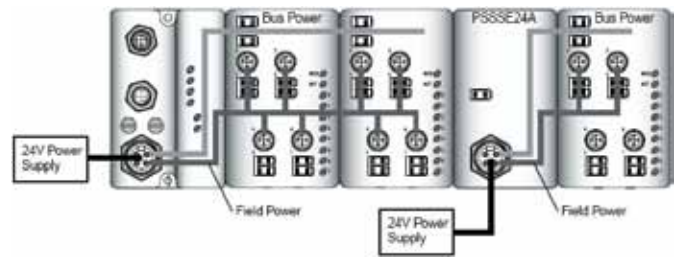
Digital or Analogical electrical I/O modules

Some modules have diagnostic features, electronic fusing, or individually isolated inputs/ outputs. The Isysnet family provides a wide range of input and output modules to span many applications, from highspeed discrete to process control. Isysnet supports producer/consumer technology, which allows input information and output status to be shared among multiple Logix controllers.



Isysnet Extension Power Unit

The auxiliary power supports up to 10 I/O modules and 32 output driver with a maximum of 10 A field power. The 24 VDC extension power unit (PSSSE24A) extends the backplane bus power to support up to 10 more I/O modules. Connect additional extension power units to expand the I/O assembly up to 63 I/O modules



Technical data

Isysnet Communication modules & Extension power unit

Bus power supply : 24 VDC at 400 mA
 Power supply input voltage : 24 VDC
 Operative voltage range : 10 to 28.8 VDC
 Input overvoltage protection : Reverse polarity protected

Isysnet Analogue Input modules

Number of Outputs : 2
 Input signal Range : 4 to 20 mA / 0 to 10 VDC
 Pointbus current : 75 mA

Isysnet Analogue Output modules

Number of Outputs : 2
 Input signal Range : 4 to 20 mA / 0 to 10 VDC
 Pointbus current : 75 mA

Isysnet Digital Input modules

Number of Outputs : 8 – PNP or NPN
 Operating Voltage Range : 10 to 28.8 VDC
 Input current on-state : 2 to 5 mA
 Input current off-state : 1,5 mA
 Pointbus current : 75 mA


Isysnet Digital Output modules

Number of Outputs : 8
 Operating Voltage Range : 10 to 28.8 VDC
 Output current rating Max. : 1 A per channel
 3 A per module
 Pointbus current : 75 mA







Isysnet Relay Output modules

Number of Outputs : 4 – NO contacts
 Operating Voltage Range : 5 to 28.8 VDC
 Output current rating Max. : 2 A per channel
 8 A per module
 Pointbus current : 90 mA


Isysnet communication modules

	Description	Fieldbus connection	Power supply connector	Weight (g)	Order code
	DeviceNet	M18	7/8" - 4 pins	400	PSSCDM18PA
		M12 - A coding	7/8" - 4 pins	400	PSSCDM12A
	Profibus DP	M12 - B coding	7/8" - 5 pins	380	PSSCPBA
	Ethernet I/P	M12 - D coding	7/8" - 4 pins	380	PSSCENA
	ControlNet	M12 - D coding	7/8" - 4 pins	380	PSSCCNA



Isysnet electrical I/O modules

	Description	Polarity	Connector type	Weight (g)	Order code
	8 Digital Inputs	PNP	8 x M8	400	PSSN8M8A
			4 x M12	380	PSSN8M12A
	8 Digital Outputs	NPN	8 x M8	400	PSST8M8A
			4 x M12	380	PSST8M12A
	8 Digital Outputs	PNP	8 x M8	400	PSST8M8A
			4 x M12	380	PSST8M12A
	4 Digital Outputs	Relay	4 x M12	410	PSSTR4M12A
	2 Analogue Inputs	0 - 10 V	2 x M12	400	PSSNAVM12A
	2 Analogue Inputs	4 - 20 mA	2 x M12	400	PSSNACM12A
		2 Analogue Outputs	0 - 10 V	2 x M12	400
	2 Analogue Outputs	4 - 20 mA	2 x M12	400	PSSTACM12A







Isysnet auxiliary electrical modules

	Description	Connector type	Weight (g)	Order code
	24 VDC expansion power unit	7/8" - 4 pins	420	PSSSE24A

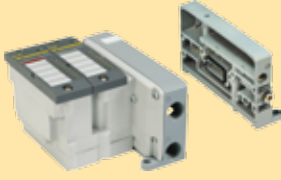
Isysnet bus extender

	Description	Length	Weight (g)	Order code
	Bus extender cable for Isysnet module interconnection	1 meter	380	PSSVEXT1
		3 meters	760	PSSVEXT3
	Isysnet termination module		200	PSSTERM

Isysnet accessories

	Description	Bus protocol	Connector type	Weight (g)	Order code
	Power supply connector	DeviceNet, ControlNet & Ethernet	7/8" - 4 pins	40	P8CS7804AA
		Profibus DP	7/8" - 5 pins	40	P8CS7805AA
	Line termination	DeviceNet	M12 - A coding	25	P8BPA00MA
		Profibus DP	M12 - B coding	25	P8BPA00MB
	Bus IN female connector	DeviceNet	M12 - A coding	25	P8CS1205AA
		Profibus DP	M12 - B coding	25	P8CS1205AB
	Bus OUT male connector	DeviceNet	M12 - A coding	25	P8CS1205BA
		Profibus DP	M12 - B coding	25	P8CS1205BB
	Cable quick connect connector		M8	25	P8CS0803J
				M12 - A coding	25
	"Y" shape, thread to thread		M12 - 2 x M12	25	P8CSY1212A

16 Outputs Moduflex Bus ends module adaptor



TURCK
Industrial Automation

PSMT21AP

TURCK BL67 Series adaptor		Ported design		Thread type	
T0	Valve Driver Module without output module	1	Side ported	3/8" BSPP	
T1	Valve Driver Module for 16 Outputs	2	Bottom ported	3/8" BSPP	
T2	Valve Driver Module for 32 Outputs	5	Side ported	3/8" NPT	
		6	Bottom ported	3/8" NPT	

For T0 version, 16 output module and blank module can be ordered separately from the next page or directly from TURCK under the same part number.

Valve driver Module for 16 or 32 Outputs

Modularity up to 16 or 32 Outputs :

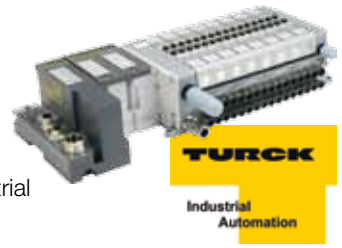
- Populated with 1 or 2 standard TURCK 16 Output modules BL67-16DO-0. 1A-P, the Valve Driver Module can handle up to 16 or 32 solenoid valves.
- For a 16 Outputs configuration, the second slot has to be populated with 1 standard TURCK blank module BL67-E.



TURCK BL67 communication gateway

Industrial Communication :

- Linked to a TURCK BL67 communication module (programmable or not programmable), the device can be connected to a wide choice of Field Bus or Industrial Ethernet protocols.

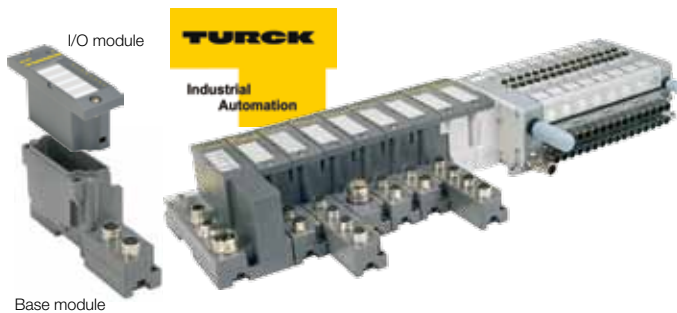


TURCK BL67 I/O and Base modules

The 2 piece design allows to complete the device with a choice through a full digital or analogue **I/O modules** range populating the **base module** existing with a multiple choice of electrical connection (M8, M12, M23, 7/8")

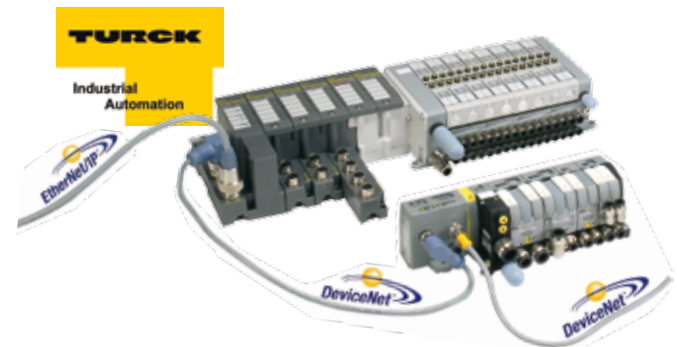
The complete resulting configuration can handle :

- Up to 32 electrical modules (up to 2 in the Valve Driver Module)
- Up to 256 digital I/O (up to 32 outputs in the Valve Driver Module)
- Up to 64 analog I/O




BL67 Ethernet IP gateway to DeviceNet

Using the TURCK BL67 Ethernet/IP gateway with DeviceNet master BL67-GW-EN-IP-DN, you can easily connect and configure a DeviceNet subnetwork thanks to the "Magic Black Button".




Full description of TURCK BL67 Series on <http://www.turck.com>

Valve Driver Module - TURCK BL67 adaptor

Description	Solenoid Valves	Sub-base design	Thread type	Weight (g)	Order code
 Valve Driver Module	0	Side ported	3/8" BSPP	200	PSMT01AP
	Without 16 O module	Bottom ported	3/8" BSPP	200	PSMT02AP
	16 Outputs or blank module to be ordered separately (see below)				
	16	Side ported	3/8" BSPP	270	PSMT11AP
	Including : - 1 x 16 O module - 1 blank module	Bottom ported	3/8" BSPP	270	PSMT12AP
	32	Side ported	3/8" BSPP	310	PSMT21AP
Including : - 2 x 16 O modules	Bottom ported	3/8" BSPP	310	PSMT22AP	

Standard TURCK BL67 module

Description	Weight (g)	Order code
 16 Outputs module for 16 or 32 solenoid valves configuration	55	BL67-16DO-0.1A-P
Blank module for 16 solenoid valves configuration	15	BL67-E

Both standard TURCK BL67 Outputs module and Blank module can be ordered directly from TURCK under the same part number.

16 Outputs module BL67-16DO-0.1A-P technical specifications

Number of channels	16	Dimensions (W x L x H)	32 x 91 x 59 mm
Nominal voltage V_0	24 VDC	Approvals	CE, cULus
Rated current from field supply	≤ 100 mA	Operating temperature	Refer to solenoid valve
Rated current from module bus	≤ 30 mA	Storage temperature	-40°C to $+70^{\circ}\text{C}$
Power loss, typical	≤ 1.5 W	Vibration	According to IEC68-2-6 : 2g to 150 Hz
		Shock test	According to IEC68-2-27 : 15g to 11 ms
Output type	PNP	Electro-magnetic compatibility	acc. to EN61131-2
Output voltage	24 VDC	Protection class	IP 65
Output current per channel	140 mA rated current (with VN 01-05 or higher)	Tightening torque fixing screws	0.9 ... 1.2 Nm
Output delay	3 ms		
Load type	resistive, inductive		
Short-circuit protection	yes		
Simultaneity factor	1		
Electrical isolation	electronics for the field level		

16 Outputs Moduflex Bus ends module adaptor

Moduflex 16 Outputs adaptor		Ported design		Thread type
M4	Adaptor without bus module	1	Side ported	3/8" BSPP
MC	Adaptor with CANopen module	2	Bottom ported	3/8" BSPP
MD	Adaptor with DeviceNet module	5	Side ported	3/8" NPT
MP	Adaptor with Profibus DP module	6	Bottom ported	3/8" NPT

For AS-i communication, use M4 and see Moduflex Valve catalogue for AS-i module part number.

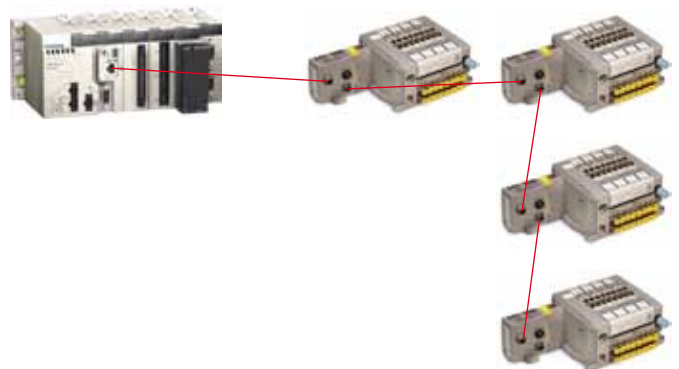
Moduflex Bus 16 Outputs

16 solenoids fieldbus modules available in DeviceNet, CANopen, and Profibus DP protocols.



Closer to the cylinder

Decentralized application when solenoid valves have to be closer to the pneumatic actuators.




Technical data


Moduflex Bus communication modules

- Bus power supply : 20 to 30 VDC
- Power supply output voltage : 24 VDC
- Module consumption :
 - DeviceNet : 1,5 W
 - CANopen : 1,5 W
 - Profibus DP : 1,5 W
- Water and dust Protection : IP65
- Output protection : overload protected

Moduflex Bus modules


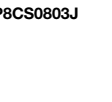



Description	Bus protocol	Sub-base design	Thread type	Weight (g)	Order code
	CANopen	Side ported	3/8" BSPP	250	PSMMC1AP
		Bottom ported	3/8" BSPP	250	PSMMC2AP
	DeviceNet	Side ported	3/8" BSPP	250	PSMMD1AP
		Bottom ported	3/8" BSPP	250	PSMMD2AP
	Profibus DP	Side ported	3/8" BSPP	250	PSMMP1AP
		Bottom ported	3/8" BSPP	250	PSMMP2AP

Also available, AS-i interface protocol, standard version or extended version (A - B coded). See Moduflex Valve catalogue.


	End modules adaptor without Moduflex Bus module	All	Side ported	3/8" BSPP	200	PSMM41AP
			Bottom ported	3/8" BSPP	200	PSMM42AP

For configuration files, go to : <http://www.parker.com/pneu/moduflex>.

Decentralized Device bus accessories

Description	Bus protocol	Connector type	Weight (g)	Order code	
	All	M12 - A coding	25	P8CS1205AA	
		DeviceNet	M12 - A coding	25	P8BPA00MA
		CANopen	M12 - B coding	25	P8BPA00MB
	All	M12 - A coding	25	P8CS1205AA	
		CANopen	M12 - B coding	25	P8CS1205AB
		Profibus DP	M12 - B coding	25	P8CS1205AB
	All	M12 - A coding	25	P8CS1205BA	
		CANopen	M12 - B coding	25	P8CS1205BB
		Profibus DP	M12 - B coding	25	P8CS1205BB
	All	M8	25	P8CS0803J	
		M12 - A coding	25	P8CS1204J	
	All	M12 - 2 x M12 - A coding	25	P8CSY1212A	

Multi-connection head module



P S M L 2 1 A P

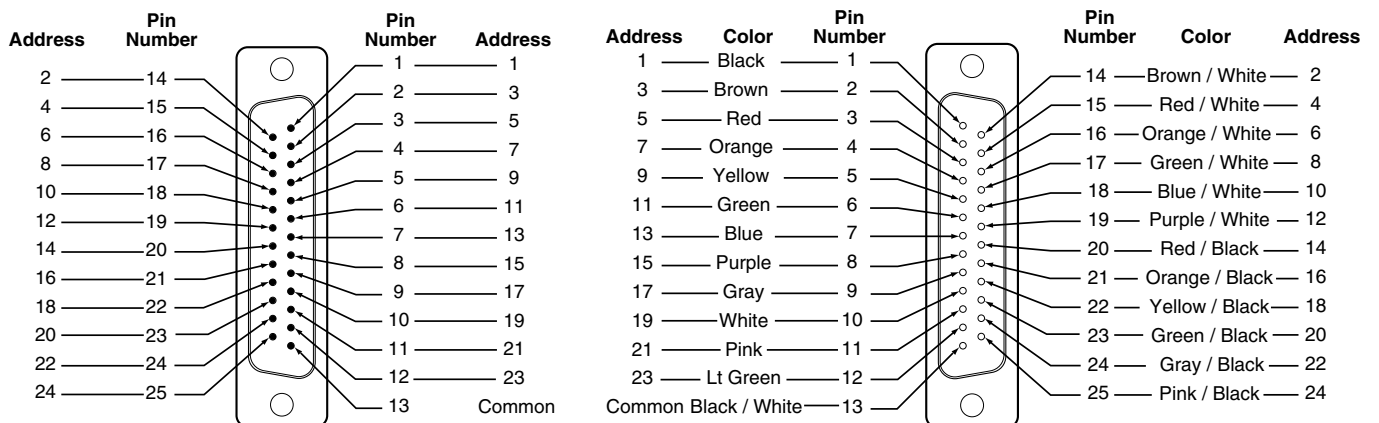
Multi-wire connection		Ported design		Thread type	
L2	Sub-D25 connector	1	Side ported	3/8" BSPP	
		2	Bottom ported	3/8" BSPP	
		5	Side ported	3/8" NPT	
		6	Bottom ported	3/8" NPT	

Sub-D25 connection

Up to 24 solenoids on standard Sub-D25 connector.




Technical data




Rated voltage :	24 VDC
Maximum addresses :	24
Maximum energised simultaneously :	24
Electrical connection :	Sub-D25 pin DIN 41652, MIL-C-24308, NFC93425 type HE5
Polarity :	PNP and NPN compatible (solenoids not polarized)
Dust and water protection :	IP65 rated with properly assembled IP65 rated cable

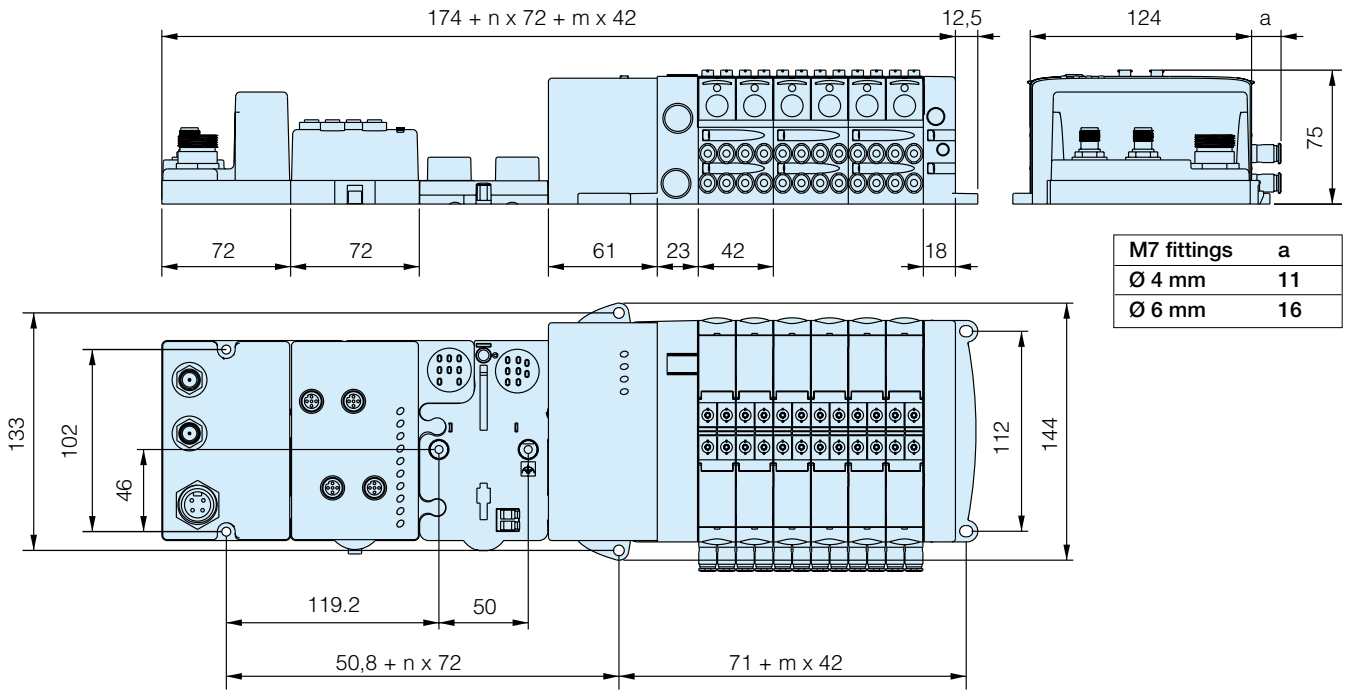
Electrical multi-pole end modules

	Description	Sub-base design	Thread type	Weight (g)	Order code
	Sub-D25 ends module	Side ported	3/8" BSPP	250	PSML21AP
		Bottom ported	3/8" BSPP	250	PSML22AP

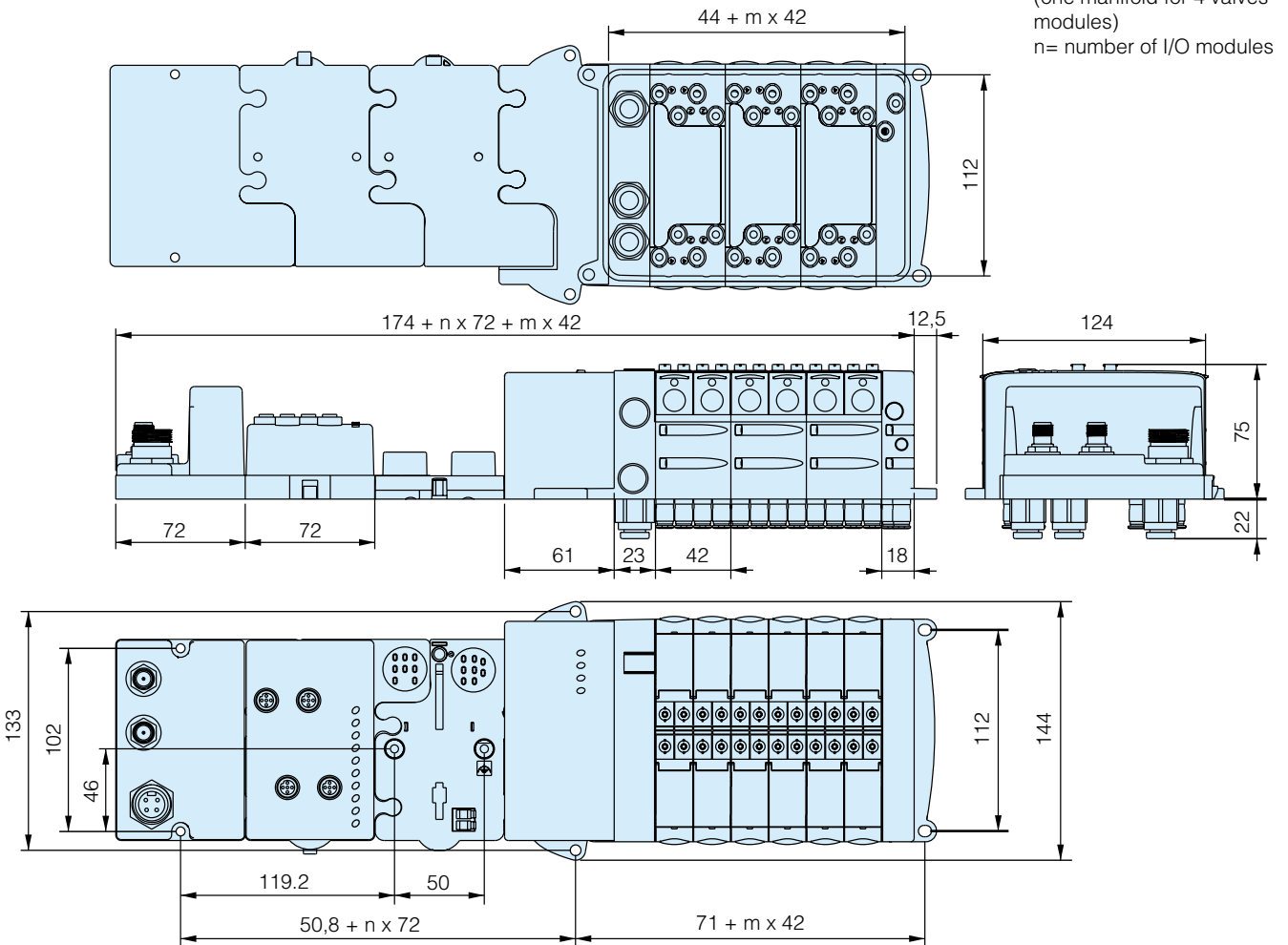
Electrical accessories

	Description	Cable length	Weight (g)	Order code
	Sub-D25 connector IP40 with flying leads multi-cable	3 m	380	P8LMH25M3A
		9 m	780	P8LMH25M9A
	P8LMH25M3A	Sub-D25 connector IP65 with flying leads multi-cable	9 m	790

Centralized bus - Side ported

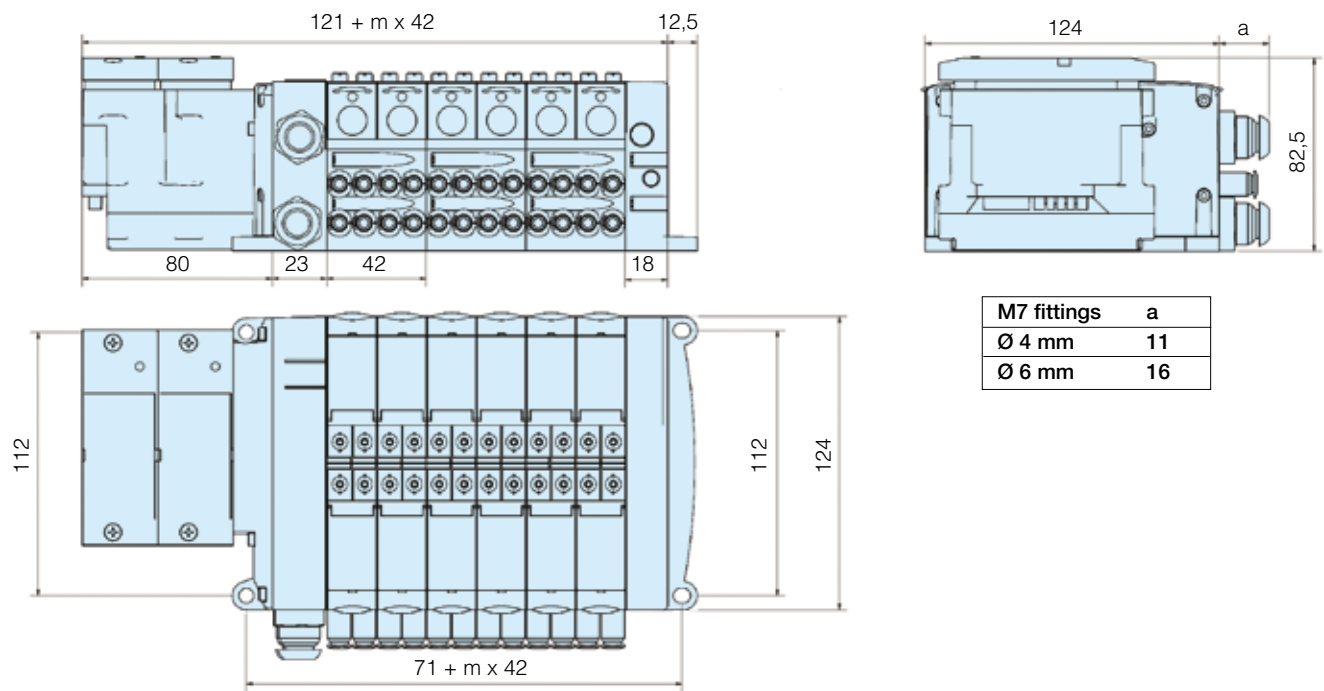


Centralized bus - Bottom ported

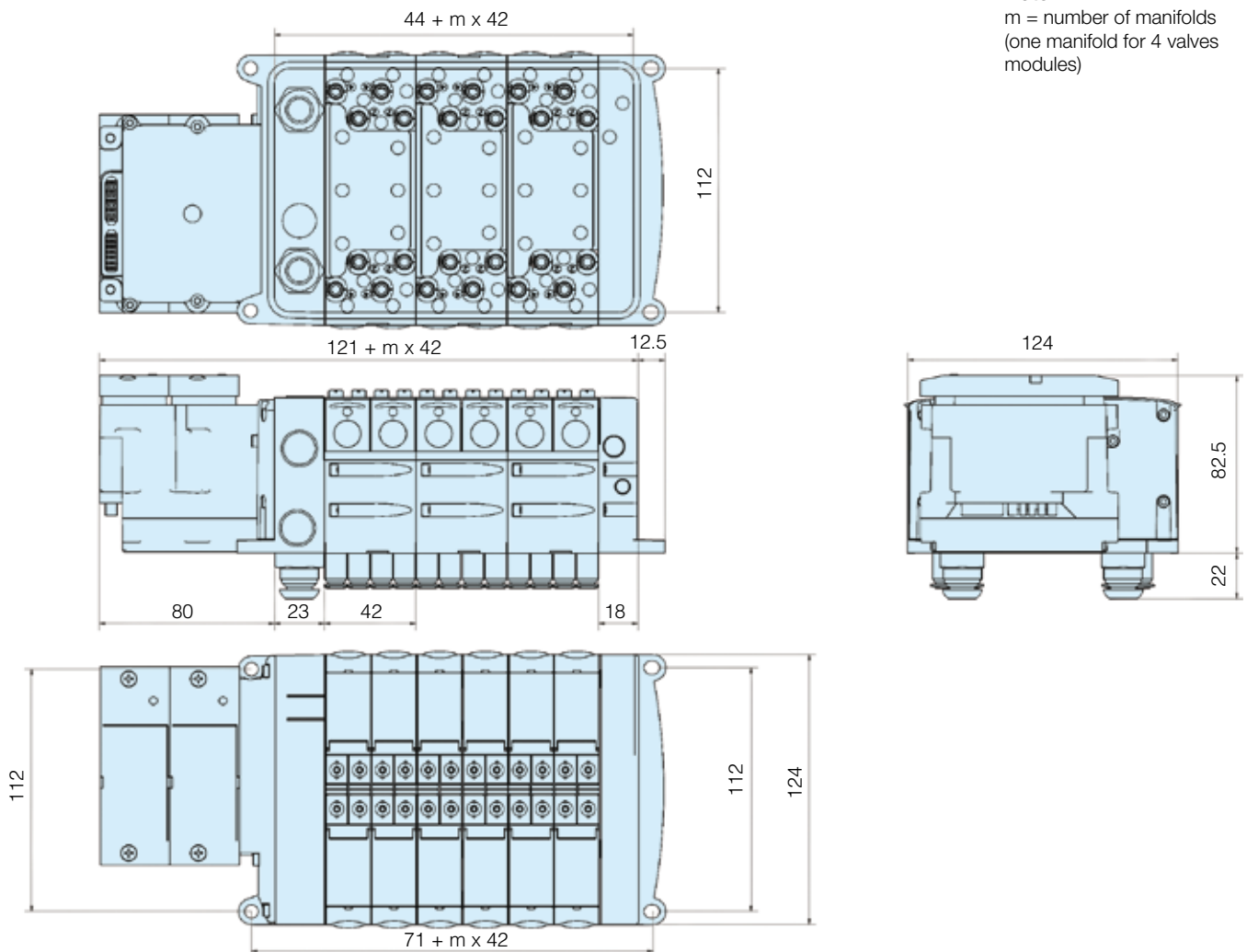


Note:
 m = number of manifolds
 (one manifold for 4 valves
 modules)
 n= number of I/O modules

Isys Micro with TURCK BL67 adaptor - Side ported



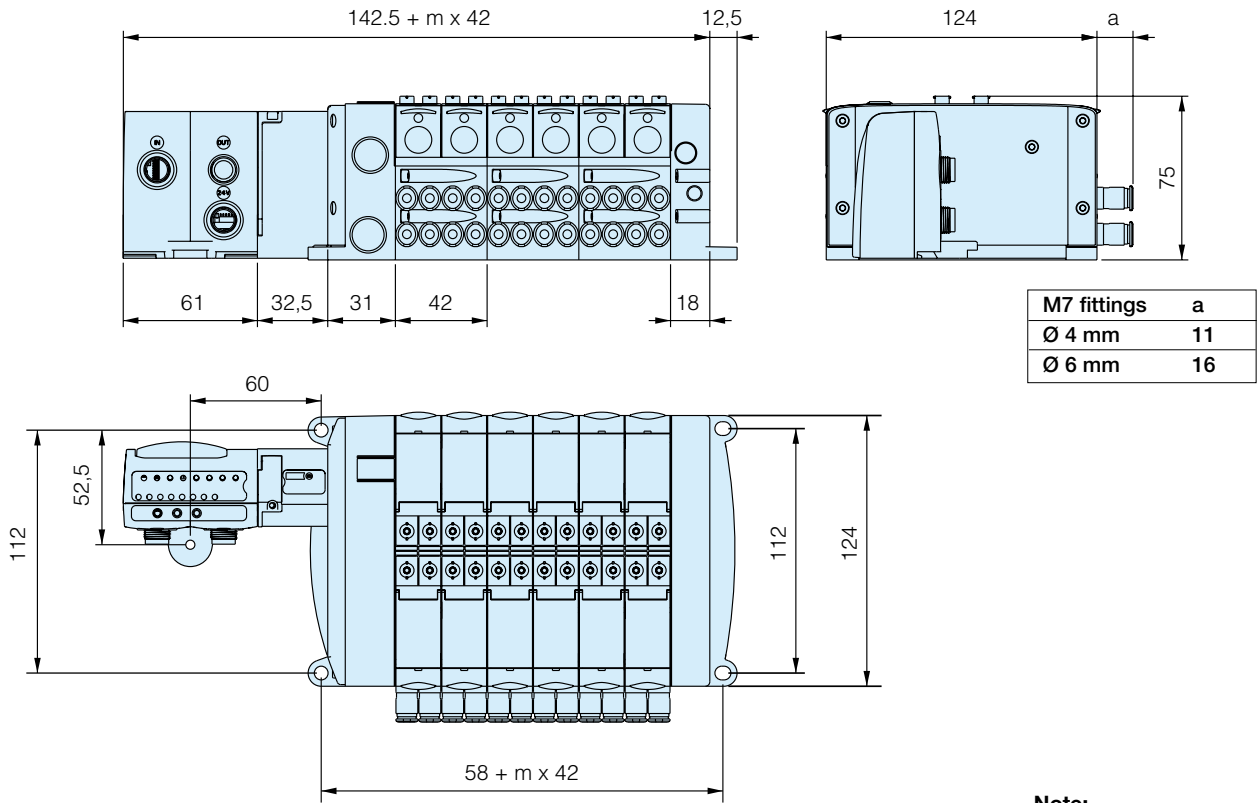
Isys Micro with TURCK BL67 adaptor - Bottom ported



Note:

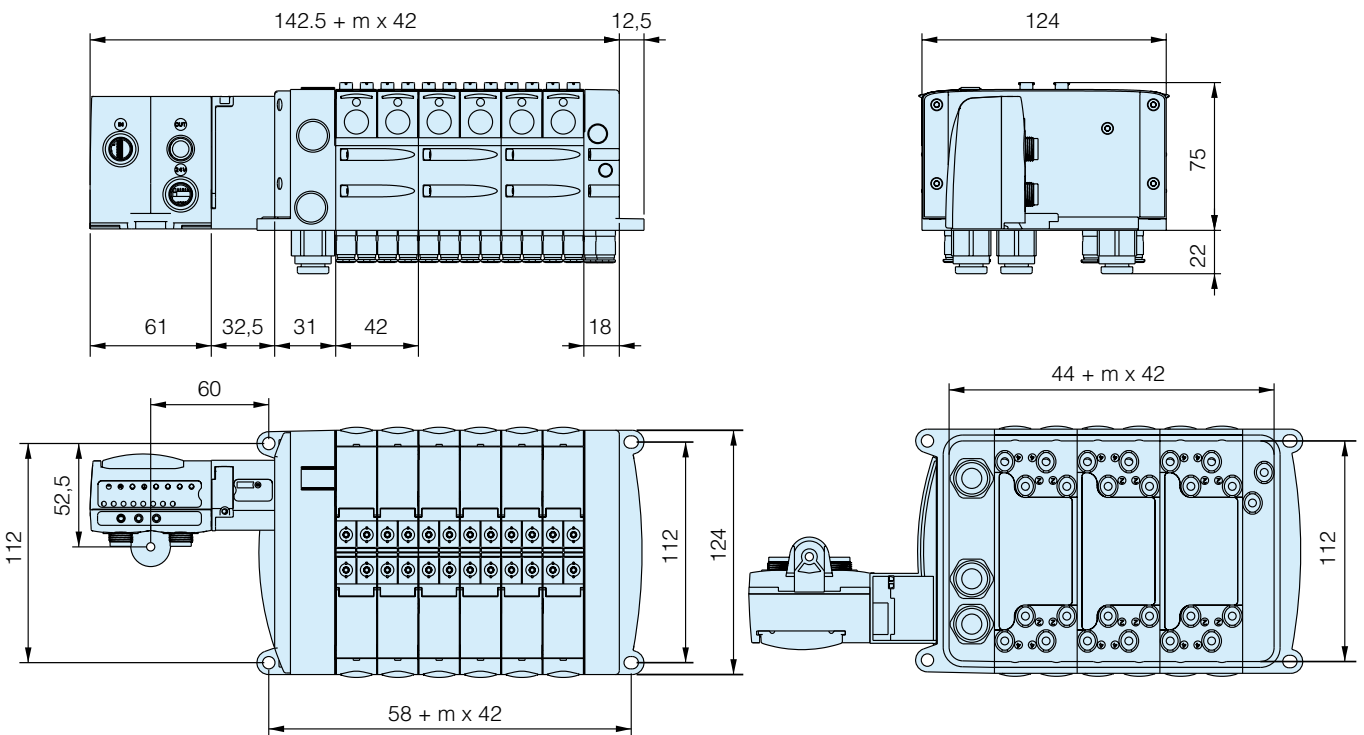
m = number of manifolds
 (one manifold for 4 valves
 modules)

Fieldbus - Side ported

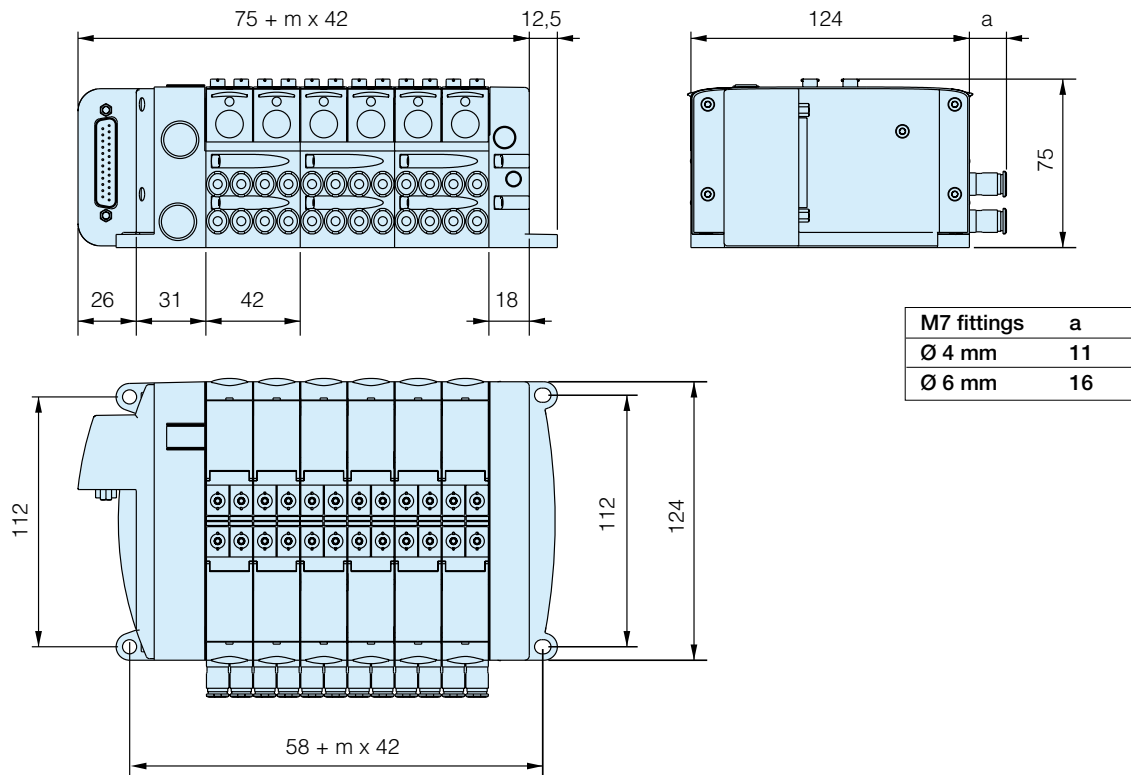


Note:
 m = number of manifolds
 (one manifold for 4 valves
 modules)

Fieldbus - Bottom ported

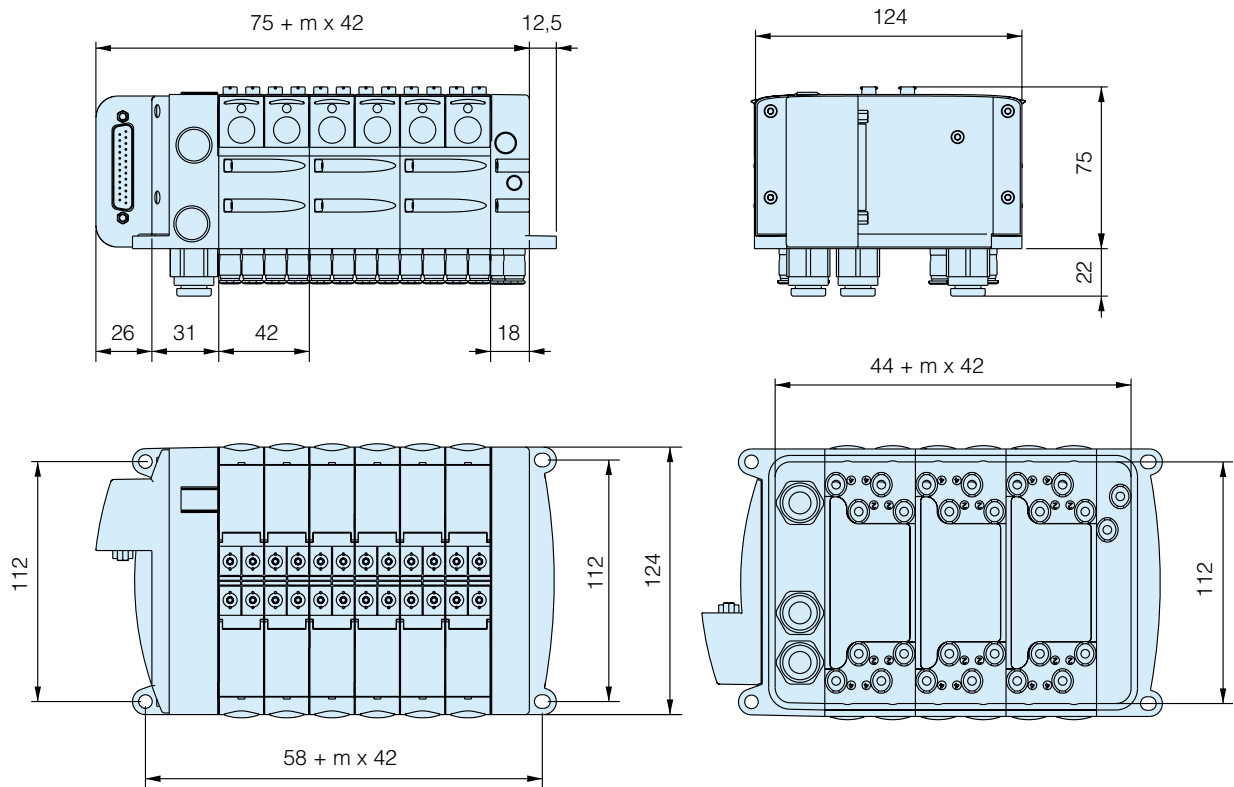


SubD25 - Side ported



Note:
 m = number of manifolds
 (one manifold for 4 valves
 modules)

SubD25 - Bottom ported





Moduflex Valve System®

Flexibility for pneumatic users

Whether configured from basic components or ordered as a pre-assembled and tested valve island, **Moduflex flexibility** is unmatched in the market place.



Innovative

The 6 patents awarded to the Moduflex Valve System reflect that innovation is core to the Parker design process. Maintaining a clear understanding of our customer's expectations has defined the individuality of the Moduflex, and clearly differentiated it as a leading automation solution.

Adaptive

No other system can be adapted so simply once specified. Unique, captive fitting release system, quick release electrical connectors and single mechanical screw connection between manifolds offer the ultimate capability for late system design changes.

Multi-Functional

From stand-alone valves to fieldbus ready valve islands, from cylinder flow controls to vacuum generators with integrated blow-off, the Moduflex Valve System meets the requirements of the whole automation spectrum.



Moduflex Valve technology

Two technology platforms enable the compact design and high performance of the Moduflex Valve System.

The compact dual 4/2 and 3/2 valves utilize well proven Parker seal technology. The standard 4/2 valves adopt the long life super durable ceramic switching technology.

Dual 4/2 valve

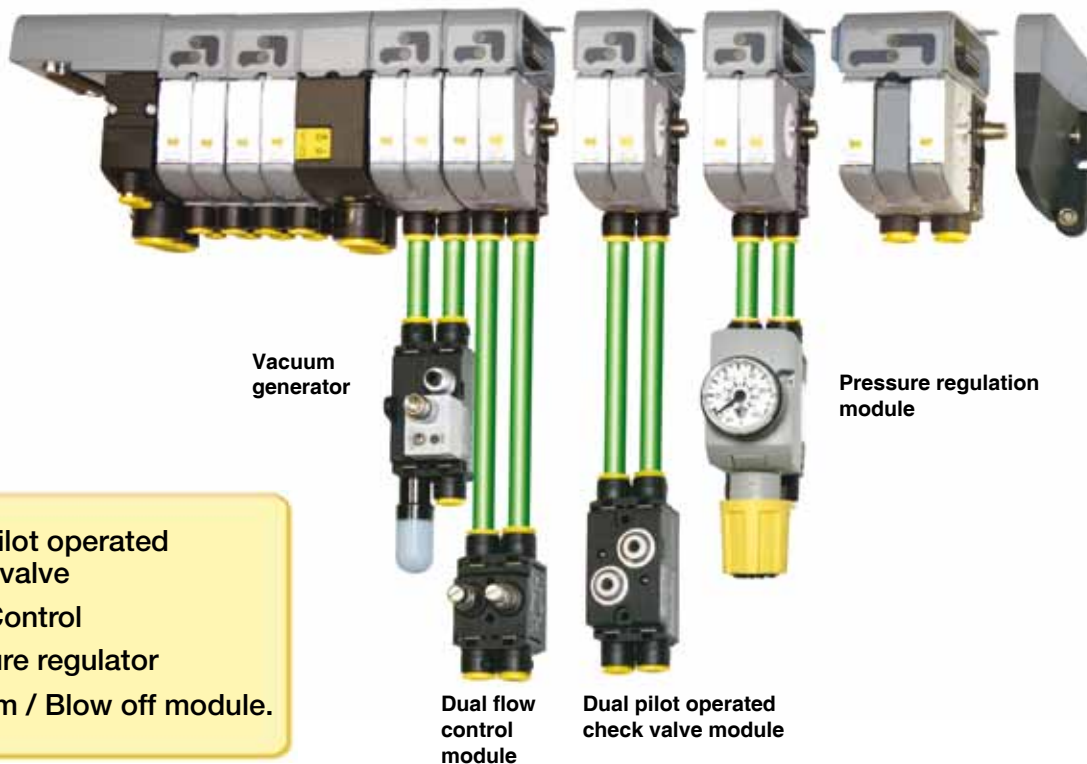


4/2 Valve



Moduflex Complete Control

With the introduction of the dual 4/2 size 1 valves, Moduflex now offers unrivaled ability of matching valves to exact flow requirements, ensuring cost and space are minimized. In addition, Moduflex Valve System offers all the necessary control peripherals to provide a complete automation solution. Moduflex is the complete control package.



- Dual pilot operated check valve
- Flow Control
- Pressure regulator
- Vacuum / Blow off module.

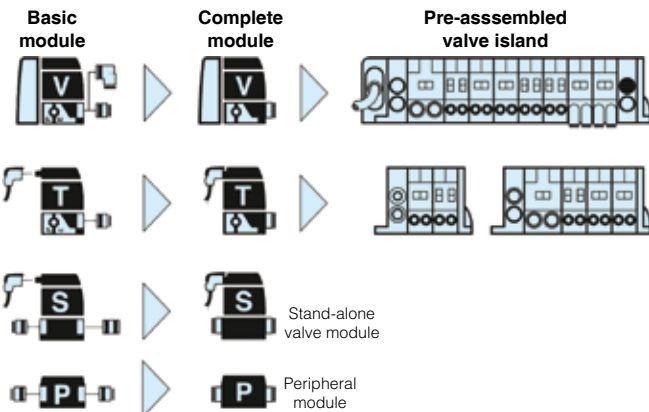
Operating information

Working pressure	-0,9 to 8 bar
Pilot pressure	3 to 8 bar *
Working temperature	-15 °C to 60 °C
Protection individual connectors	IP 67 NEMA4
Protection integrated connectors	IP 65
Voltage	24 V DC
* Single and double 3/2	3,5 to 8 bar

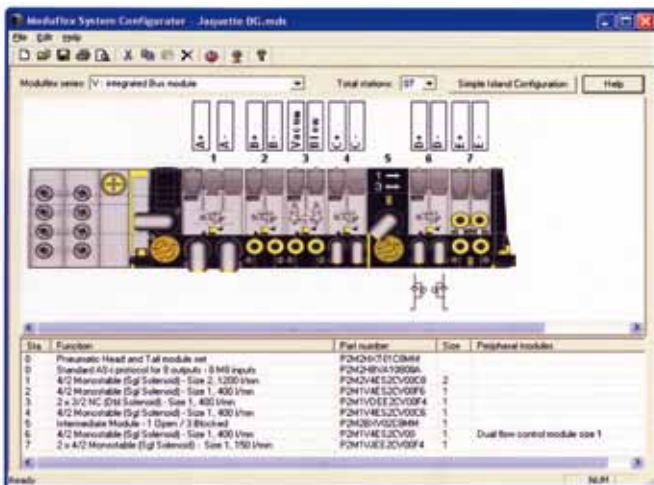
		Dual 4/2	Dual 3/2	3/2	4/2
Size 1	Qmax.	275 l/min	415 l/min	415 l/min	510 l/min
	Qn	165 l/min	235 l/min	235 l/min	310 l/min
Size 2	Qmax.	-	805 l/min	805 l/min	1340 l/min
	Qn	-	450 l/min	440 l/min	800 l/min

Total ordering flexibility

Additionally to the complete product adaptability, the Moduflex Valve range offers for V, T, S and P series an ordering flexibility with 3 different designs; from all components separately ordered (basic module) to pre-assembled and tested valve island.



The Moduflex Valve Island Configurator software is the easy way to, step by step, configure and order the required valve island for the application.



Ordering options

1 - Basic modules ordering

Using this option, all basic components are separately ordered :

- Head and Tail set
- Valve modules
- Intermediate module kit
- Peripheral modules
- Pneumatic connectors, mufflers and plugs
- Electrical connection or fieldbus module

The complete bill of material needed for the valve island assembly can be easily details using page 1 of the Moduflex Valve Configurator software report.

2 - Complete modules ordering

Using this option, modules are defined, ordered and supplied, pneumatic connectors and electrical connection equipped. One part number defines :

- Function module
- Pneumatic connectors, muffler and plugs
- Electrical connection and cable

For an entire valve island configuration, the list of complete modules can be easily details using page 3 of the Moduflex Valve Configurator software report.

3 - Pre-assembled valve islands ordering

Using this option, the complete valves island configuration has to be defined, and may be ordered, delivered fully assembly and tested under one part number.

The Moduflex Valve Configurator software is an easy way for a clear definition of the requested valve island configuration.

V series

Integrated connection field bus or multi-connector valve island



T series

Individual connector valve islands
 Solenoid or air pilot



S series

Stand alone valves
 Solenoid or air pilot



P series

Peripheral modules
 Flow control, check valves, pressure regulator, vacuum



Moduflex Valve Configurator software



T series

V series

For more information see - Parker Pneumatic Catalogue PDE2600PNUK

Integrated connections valve islands : V series

In a V series Moduflex valve island, electrical controls are all received by the head module and transmitted to the concerned valve modules through the modular integrated circuit.

The head module may either be a cable multi-connector or a Fieldbus communication module : the next pages show multi-connector cable and a complete choice of bus protocols.

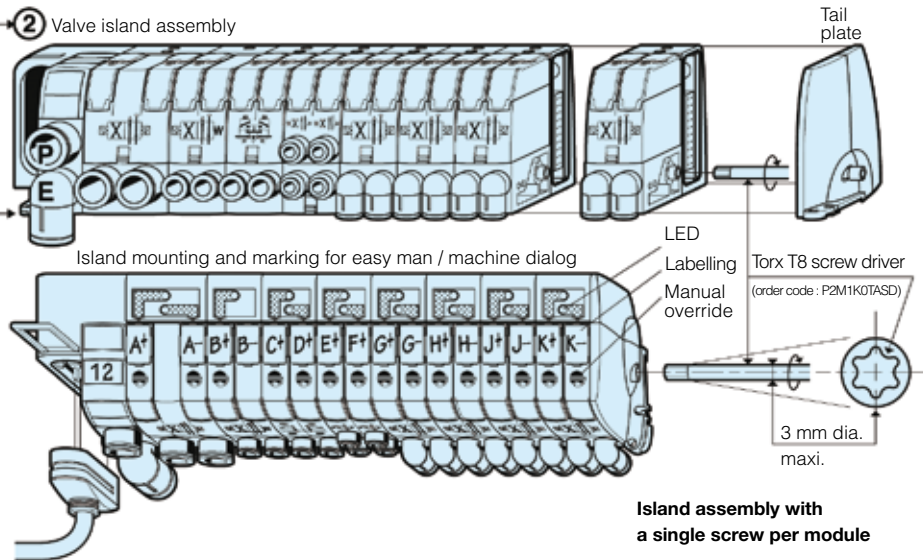
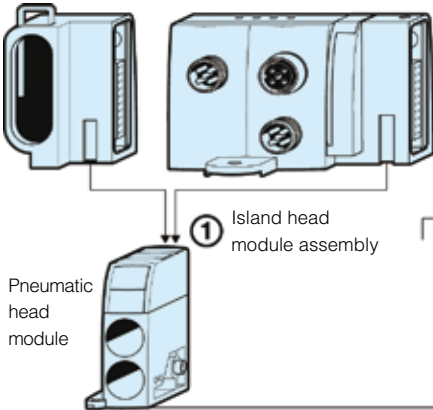


Valve island configuration

The following page shows all valve sizes and functions that may enter into a V series valve island and, for each valve size, a choice of clip-on pneumatic connectors : tubing size, straight, elbow...
 To receive its pressure supply and collect its exhaust, the island also requires a pneumatic

head and tail module set and sometimes an intermediate module set with 4 configuration plates for different functions. To receive its electrical controls, the island is completed by an electrical head module, either a multi-connector or by a bus module to be chosen from the next pages.

Valve island electrical head module :
 multi-connector or field bus connection



Valve island assembly

- The above illustration presents :
- **Step ①** : the electrical head module is engaged into the pneumatic head module ;
 - **Step ②** valve modules are one by one screwed onto each other starting from the head module. For this task, the single integrated screw is tightened with a torx T8 standard screwdriver.

The pneumatic connectors may be clipped or unclipped at any stage.

With a LED, a manual override and a labelling for each valve pilot (see illustration), the island front face eases the "man / machine" dialog.

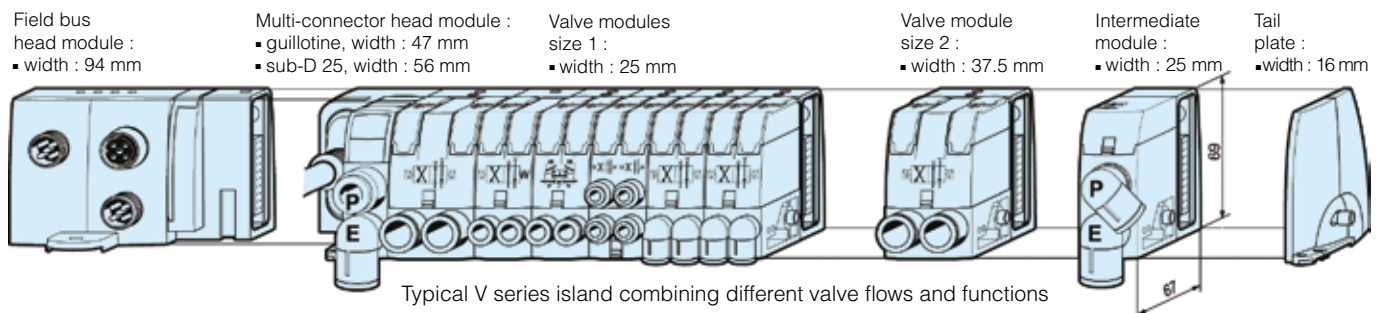
The resulting valve island length is expressed by the drawing below, while further size details and mountings are presented on dimensions pages.

Modules and island ordering


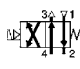
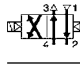
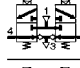


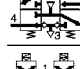
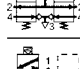
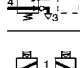
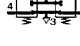
Choice between 3 approaches :

- 1 - Basic modules ordering :**
 The following page shows these modules supplied without connector, together with the choice of clip-on connectors separately supplied (10 units packs). This approach gives the maximum flexibility.


- 2 - Complete modules ordering :**
 Page 265 shows the ordering chart for modules supplied with their connectors.
- 3 - Assembled island ordering :**
 Page 268 shows the valve island configurator CD-Rom to specify a valve island that may be delivered assembled.






Basic modules (without connector)

Valve Modules	Symbol	Description	Size 1		Size 2	
			Weight (g)	Order code	Weight (g)	Order code
 <p>Size 1</p>		4/2 Solenoid spring	94	P2M1V4ES2CV	100	P2M2V4ES2CV
		4/2 Double solenoid	103	P2M1V4EE2CV	110	P2M2V4EE2CV
		2 x 3/2 NC + NC with exhaust check valves	106	P2M1VDEE2CV	115	P2M2VDEE2CV
		2 x 3/2 NO + NO with exhaust check valves	106	P2M1VCEE2CV	115	P2M2VCEE2CV
 <p>Size 2</p>		2 x 3/2 NC + NO with exhaust check valves	106	P2M1VEEE2CV	115	P2M2VEEE2CV
		2 x 4/2 Solenoid spring with exhaust check valves	114	P2M1VJEE2CV		
		3/2 NC with exhaust check valves	102	P2M1V3ES2CV	110	P2M2V3ES2CV
		4/3 Centre exhaust 2 x 3/2 NC + NC without exhaust check valves	106	P2M1VGEE2CV	115	P2M2VGEE2CV

Island head and intermediate module sets

Valve Modules	Description	Size 2	
		Weight (g)	Order code
 <p>P2M2HXT01 P2M2BXV0A</p>	Valve island pneumatic head and tail module set	64	P2M2HXT01
	Valve island intermediate supply module with a set of 4 configuration plates	68	P2M2BXV0A

Clip-On pneumatic connectors *



Valve Modules	Description	Tube OD	Size 1		Size 2	
			Weight (g)	Order code	Weight (g)	Order code
	Straight connector	G1/8"	2	FMDG1-1		
		4 mm	2	FMD04-1		
		6 mm	3	FMD06-1	3	FMD06-2
		8 mm			4	FMD08-2
		10 mm			5	FMD10-2
		12 mm			6	FMD12-2
	Elbow connector	G1/8"	3	CMDG1-1		
		4 mm	3	CMD04-1		
		6 mm	5	CMD06-1	5	CMD06-2
		8 mm			6	CMD08-2
		10 mm			7	CMD10-2
		12 mm			8	CMD12-2
	Silencer				5	MMDVA2
	Plug		3	PMDXX1	5	PMDXX2

* Fittings and plugs pack quantity : 10

Electrical multi-connection and field bus head modules

Multiconnector or field bus head module to be chosen from next pages.


V series valve island : Electrical multi-connector head module


	Description	Protection	Cable length	Weight (g)	Order code
	Guillotine type			38	P2M2HEV0A
	Multi-connection head module				
	Guillotine connector with flying leads	IP65	2 m	335	P8LMH20M2A
	multi-cable		5 m	802	P8LMH20M5A
	Standard Sub-D 25 type			60	P2M2HEV0D
	Multi-connection head module				
	Sub-D 25 connector with flying leads	IP40	3 m	435	P8LMH25M3A
	multi-cable		9 m	1425	P8LMH25M9A
		IP65	9 m	1425	P8LMH25B9A

V series valve island : Electrical field bus head modules for AS-i protocol




Standard AS-i protocol (up to 31 nodes) electrical head modules


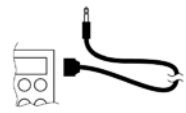
	Electrical module for 8 outputs max.	Input connections		Weight(g)	Order code
		<ul style="list-style-type: none"> V series islands may have up to 8 solenoid pilots 2 nodes per module, 4 I / 4 O per node 	no input	150	P2M2HBVA10800
		8 M8 inputs	200	P2M2HBVA10808A	
		8 inputs on 4 M12	200	P2M2HBVA10808B	

	Electrical module for 4 outputs max.	Input connections		Weight(g)	Order code
		<ul style="list-style-type: none"> V series islands may have up to 4 solenoid pilots 1 node per module, 4 I / 4 O 	No inputs	150	P2M2HBVA10400
		4 inputs on 4 M12	200	P2M2HBVA10404B	

AS-i version 2-1 protocol (up to 62 nodes) electrical head modules

	Electrical module for 6 outputs max.	Input connections		Weight(g)	Order code
		<ul style="list-style-type: none"> V series islands may have up to 6 solenoid pilots 2 nodes per module, 4 I / 3 O per node 	none	150	P2M2HBVA20600
		8 M8 Inputs	200	P2M2HBVA20608A	
		8 inputs on 4 M12	200	P2M2HBVA20608B	


AS-i head module accessories

	Description	Connector type	Weight (g)	Order code
	Cable quick connect connector	M8 Male	25	P8CS0803J
		M12 Male - A coding	25	P8CS1204J
		« Y » shape	25	P8CSY1212A
	Addressing cable 1 meter	M12 Male - Jack	100	P8LS12JACK

V series valve island : Electrical field bus head modules for device bus

Electrical modules for 16 outputs

(The V series modules may have up to 16 solenoid pilot valves)

Description	Bus Protocol	Bus In / Bus Out	Power supply	Weight (g)	Order code
	Profibus DP	M12 - B coding	M12 - A coding	250	P2M2HBVP21600
	For GSD file, go to http://www.parker.com/pneu/moduflex				
	DeviceNet	M12 - A coding	M12 - A coding	250	P2M2HBVD21600
		M12 - B coding		250	P2M2HBVD11600
	For EDS file, go to http://www.parker.com/pneu/moduflex				
	CANopen	M12 - A coding	M12 - A coding	250	P2M2HBVC21600
M12 - B coding			250	P2M2HBVC11600	
For EDS file, go to http://www.parker.com/pneu/moduflex					
InterBus-S	M23 - 9 Pins	M12 - A coding		300	P2M2HBVS11600

Device Bus connection accessories

Description	Bus Protocol	Connector type	Weight (g)	Order code
Power supply female straight connector	All	M12 - A coding	25	P8CS1205AA
	DeviceNet CANopen	M12 - B coding	25	P8CS1205AB
Bus IN female connector	DeviceNet CANopen	M12 - A coding	25	P8CS1205AA
	Profibus DP	M12 - B coding	25	P8CS1205AB
Bus OUT male connector	DeviceNet CANopen	M12 - A coding	25	P8CS1205BA
	Profibus DP	M12 - B coding	25	P8CS1205BB
Line termination	DeviceNet CANopen	M12 - A coding	25	P8BPA00MA
	Profibus DP	M12 - B coding	25	P8BPA00MB

P2M2HBVP21600



P8CS1205AA



M12 - A coding connector



M12 - B coding connector

Individual connection valve islands : T series

In a T series valve island, electrical controls are individually connected to each valve module, onto its solenoid pilot.

As an alternative, air pilot valve modules are also available, to be controlled by individual pneumatic signals.



Valve island assembly

As shown by the above illustration, the valve modules are one by one screwed onto each other, starting from the head module. For this task, the single integrated screw is tightened with a torx T8 standard screwdriver. The pneumatic connectors may be clipped or unclipped at any stage. With a LED, a manual override and a labelling for each valve pilot (see above illustration), the island front face eases the "man / machine" dialog. The resulting valve island length is expressed by the drawing below, while further size details and mountings are presented on dimensions pages.

Valve island configuration

The following page presents all valve sizes and functions that may enter into a T series valve island and, for each valve size, a choice of clip-on pneumatic connectors : tubing size, straight, elbow... To receive its pressure supply and collect its exhaust, the island also requires a

pneumatic head and tail module set and sometimes an intermediate module set including 4 configuration plates for different functions. Valve modules may either be solenoid versions or air pilot versions. Mixing both versions into the same valve island is possible.

Valve pilot connections

1 - Solenoid valve modules

Electrical connectors



Each solenoid shows a M8 connection. Lockable clip-on connectors, IP67 protected, with LED, voltage surge protection and flying lead cable may be ordered for the required length.

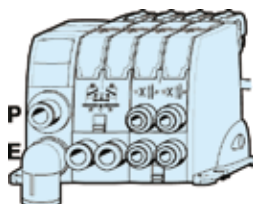
2 - Air pilot valve modules

4 mm OD tube



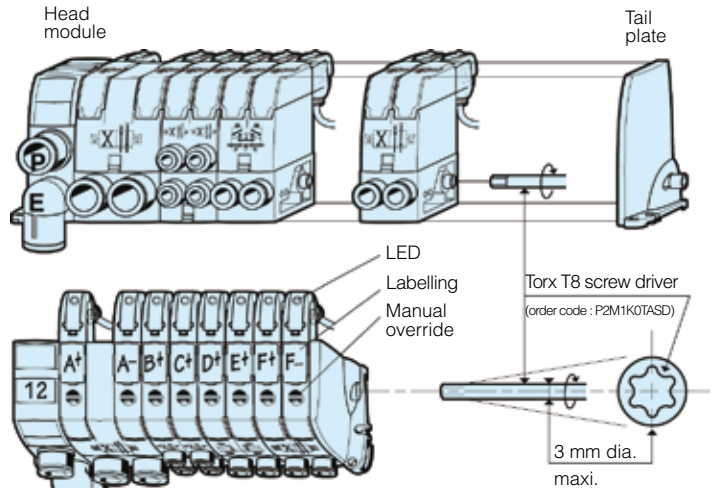
No connector has to be ordered : each pneumatic pilot port includes its integrated swivable elbow 4 mm OD tube push-in connector.

Typical T series short island for single or double acting small cylinders.



Valve island assembly

Island mounting and marking for easy man / machine dialog



Island assembly with a single screw per module

Modules and island ordering

Choice between 3 approaches :

1 - Basic modules ordering :

The following page shows these modules supplied without connector, together with the choice of clip-on connectors separately supplied (10 units packs). This approach gives the maximum flexibility.

2 - Complete modules ordering :

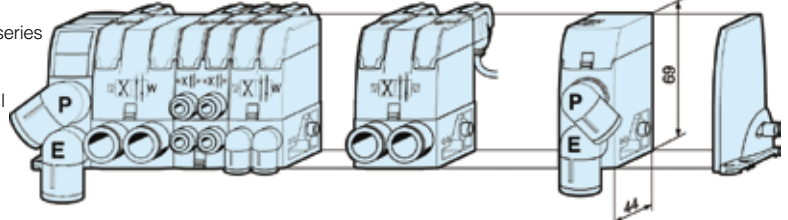
Page 265 shows the ordering chart for modules supplied with their connectors.

3 - Assembled island ordering :

Page 268 shows the valve island configurator CD-Rom to specify a valve island that may be delivered assembled.


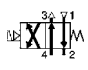
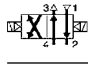

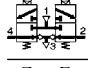
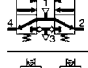
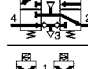

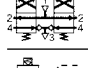


Pneumatic head module :	Valve module size 1 :	Valve module size 2 :	Intermediate module :	Tail plate :
width : 32 mm	width : 25 mm	width : 37.5 mm	width : 25 mm	width : 16 mm

Typical T series high flow island for both small and large cylinders.





Typical T series islands combining different valve flows and functions



Basic modules (without connector)

Valve Modules					Size 1	Size 2	
	Symbol	Description	Actuator	Weight (g)	Order code	Weight (g)	Order code
 <p>Size 1 Dual 4/2</p>		4/2 Spring return	Solenoid Air pilot	68 63	P2M1T4ES2C P2M1T4PS	74 69	P2M2T4ES2C P2M2T4PS
		4/2 Double pilot	Solenoid Air pilot	77 67	P2M1T4EE2C P2M1T4PP	83 73	P2M2T4EE2C P2M2T4PP
 <p>Size 1</p>		2 x 3/2 NC + NC with exhaust check valves	Solenoid Air pilot	80 70	P2M1TDEE2C P2M1TDPP	94 84	P2M2TDEE2C P2M2TDPP
		2 x 3/2 NO + NO with exhaust check valves	Solenoid Air pilot	80 70	P2M1TCEE2C P2M1TCPP	94 84	P2M2TCEE2C P2M2TCPP
		2 x 3/2 NC + NO with exhaust check valves	Solenoid Air pilot	80 70	P2M1TEEE2C P2M1TEPP	94 84	P2M2TEEE2C P2M2TEPP
 <p>Size 2</p>		2 x 4/2 Spring return with exhaust check valves	Solenoid Air pilot	88 78	P2M1TJEE2C P2M1TJPP		
		3/2 NC with exhaust check valves	Solenoid Air pilot	76 71	P2M1T3ES2C P2M1T3PS	90 70	P2M2T3ES2C P2M2T3PS
		4/3 Centre exhaust 2 x 3/2 NC + NC with exhaust check valves	Solenoid Air pilot	80 70	P2M1TGEE2C P2M1TGPP	94 84	P2M2TGEE2C P2M2TGPP

Island head and intermediate module sets



Valve Modules	Description	Weight (g)	Size 2 Order code
 <p>P2M2HXT01</p>	Valve island pneumatic head and tail module set	64	P2M2HXT01
 <p>P2M2BXT0A</p>	Valve island intermediate supply module with a set of 4 configuration plates	64	P2M2BXT0A

Clip-On pneumatic connectors *

Valve Modules	Description	Tube OD	Weight (g)	Size 1 Order code	Weight (g)	Size 2 Order code
	Straight connector	G1/8"	2	FMDG1-1		
		4 mm	2	FMD04-1		
		6 mm	3	FMD06-1	3	FMD06-2
		8 mm			4	FMD08-2
		10 mm			5	FMD10-2
		12 mm			6	FMD12-2
	Elbow connector	G1/8"	3	CMDG1-1		
		4 mm	3	CMD04-1		
		6 mm	5	CMD06-1	5	CMD06-2
		8 mm			6	CMD08-2
		10 mm			7	CMD10-2
		12 mm			8	CMD12-2
	Silencer				5	MMDVA2
	Plug		3	PMDXX1	5	PMDXX2

* Fittings and plugs pack quantity : 10

Electrical connectors

Description	Connector type	Cable length	Weight (g)	Order code
 <p>Clip-on individual electrical connector, for each solenoid pilot IP67 protected, including LED, voltage surge protection and flying lead cable</p>	M8 / 2 x Flying leads	2 meters	62	P8LS08L226C
		5 meters	155	P8LS08L526C
		9 meters	180	P8LS08L926C
 <p>Straight cable quick connect to thread connector, IP67 protected</p>	M8		12	P8CS0803J
	M12		15	P8CS1204J



Stand-Alone Valve Modules : S series

Very useful to control isolated cylinders, these stand-alone valves module are compact and easy to mount on the machines with neat electrical and pneumatic connections.

As an alternative to electrical controls, valves with air pilots are also available, to be controlled by individual pneumatic signals.



Valve functions

The following page shows all valve sizes and functions and, for each valve size, a choice of clip-on pneumatic connectors : tubing size, straight, elbow, ...

Valve main connections

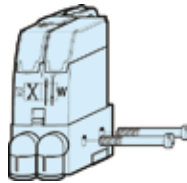
- Outlets to cylinders (ports 2 and 4) on one side.
- Supply P (port 1) and exhaust E (port 3) on the other side. At port 3, exhaust may be collected or receive a clip-on muffler.



Valve mounting

All valves may be mounted either with side screws or with their integrated retractable brackets.

Side screw mounting



The brackets are then retracted.

Optional foot mounting

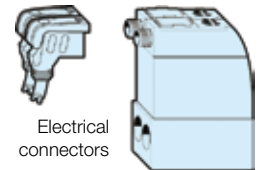


The brackets are then extended.

Valve pilot connections

1- Solenoid valve modules

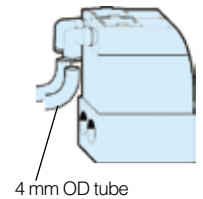
Each solenoid presents an M8 connection. Lockable clip-on connectors, IP 67 protected, with LED, voltage surge protection and flying lead cable may be ordered for the required length.



Electrical connectors

2- Air pilot valve modules

No connector has to be ordered : each pneumatic pilot port includes its integrated swivable elbow 4 mm OD tube push-in connector.



4 mm OD tube

Modules and island ordering

Choice between 2 approaches :

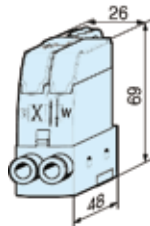
1 - Basic modules ordering :

The following page shows these modules supplied without connector, together with the choice of clip-on connectors separately supplied (10 units packs). This approach gives the maximum flexibility.

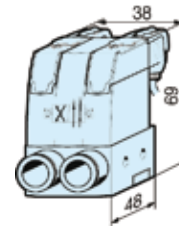
2 - Complete modules ordering :

Ordering chart for modules supplied with their pneumatic and electrical connectors and muffler.


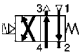

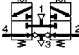



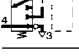
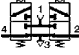
Valve module size 1






Valve module size 2



Basic modules (without connector)



Valve Modules					Size 1	Size 2	
	Symbol	Description	Actuator	Weight (g)	Order code	Weight (g)	Order code
 Size 1		4/2 Spring return	Solenoid Air pilot	72 67	P2M1S4ES2C P2M1S4PS	72 67	P2M2S4ES2C P2M2S4PS
		4/2 Double pilot	Solenoid Air pilot	87 77	P2M1S4EE2C P2M1S4PP	87 77	P2M2S4EE2C P2M2S4PP
		2 x 3/2 NC + NC with exhaust check valves	Solenoid Air pilot	85 75	P2M1SDEE2C P2M1SDPP	85 75	P2M2SDEE2C P2M2SDPP
 Size 2		2 x 3/2 NO + NO with exhaust check valves	Solenoid Air pilot	85 75	P2M1SCEE2C P2M1SCPP	85 75	P2M2SCEE2C P2M2SCPP
		2 x 3/2 NC + NO with exhaust check valves	Solenoid Air pilot	85 75	P2M1SEEE2C P2M1SEPP	85 75	P2M2SEEE2C P2M2SEPP
		3/2 NC with exhaust check valves	Solenoid Air pilot	85 75	P2M1S3ES2C P2M1S3PS	85 75	P2M2S3ES2C P2M2S3PS
		4/3 Centre exhaust 2 x 3/2 NC + NC without exhaust check valves	Solenoid Air pilot	85 75	P2M1SGEE2C P2M1SGPP	85 75	P2M2SGEE2C P2M2SGPP

Clip-On pneumatic connectors *

Valve Modules					Size 1	Size 2	
	Description	Tube OD	Weight (g)	Order code	Weight (g)	Order code	
	Straight connector	G1/8"	2	FMDG1-1			
		4 mm	2	FMD04-1			
		6 mm	3	FMD06-1	3	FMD06-2	
		8 mm			4	FMD08-2	
		10 mm			5	FMD10-2	
		12 mm			6	FMD12-2	
	Elbow connector	G1/8"	3	CMDG1-1			
		4 mm	3	CMD04-1			
		6 mm	5	CMD06-1	5	CMD06-2	
		8 mm			6	CMD08-2	
		10 mm			7	CMD10-2	
		12 mm			8	CMD12-2	
	Silencer		3	MMDVA1	5	MMDVA2	
	Plug		3	PMDXX1	5	PMDXX2	

* Fittings and plugs pack quantity : 10

Electrical connectors

Description	Connector type	Cable length	Weight (g)	Order code
	M8 / 2 x Flying leads	2 meters	62	P8LS08L226C
		5 meters	155	P8LS08L526C
		9 meters	180	P8LS08L926C
	M8		12	P8CS0803J
	M12		15	P8CS1204J

Peripheral Valve Modules : P series

Four additional peripheral modules complete the valve system in order to facilitate the installation of specific cylinder controls :

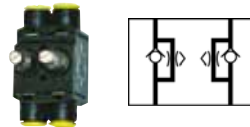
- Dual flow control, for cylinder speed adjusting;
- Dual pilot operated check valve, for cylinder positioning;
- Pressure regulator, for cylinder thrust adjusting;
- Vacuum generator, for vacuum pad controls.



Module function selection

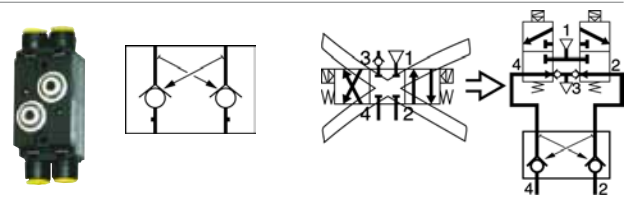
Dual flow control

By controlling the exhaust flows of a double acting cylinder, this module can adjust both speeds : forward and backward.



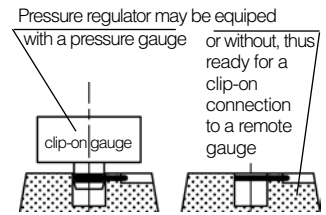
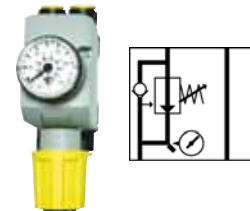
Dual pilot operated check valve

Combined with a double 3/2 NC + NC valve, this module will block flows and stop cylinder movement as soon as the valve outputs are both exhausted. Better than a 3 position closed centre valve, it provides accurate positioning when mounted close to the cylinder.



Pressure regulator

The thrust developed by a cylinder often requires adjustment by controlling the pressure to the front or back of the piston. This pressure regulator module enables manual adjustment of pressure on one side of the piston, with visual indication provided by the pressure gauge.

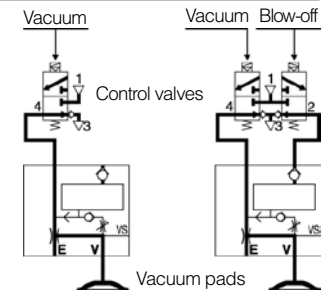
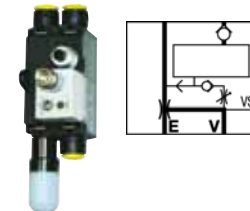


Vacuum generator

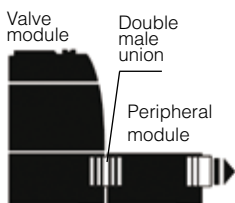
This multi-purpose module controls vacuum pads with a choice between two basics schematics :

- Controlled with only one 3/2 NC valve, the vacuum generator provides vacuum to the pads during valve actuation and then blow-off supplied from an integrated chamber.
- Controlled with a double 3/2 NC + NC, the vacuum generator provides vacuum during the first valve actuation, and then strong blow-off from the second valve.

Integrated blow-off flow controller. Optional plug-in vacuum sensor.



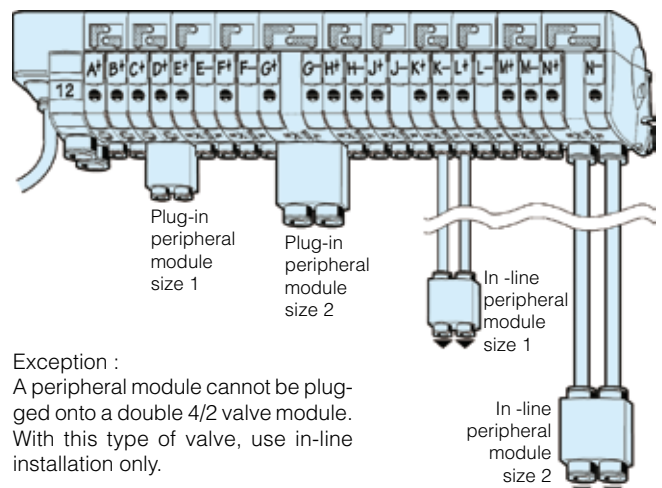
Module installation selection



Stand alone valve complete with a plug-in peripheral module

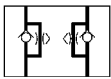
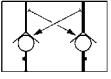
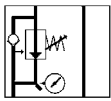
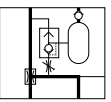


- Peripheral modules may either be mounted :
- Plugged into the valve module through double male unions;
 - Or in line, close to the cylinder to control it better.






Exception : A peripheral module cannot be plugged onto a double 4/2 valve module. With this type of valve, use in-line installation only.

Basic peripheral modules (without connector)



Peripheral Modules				Size 1		Size 2	
Symbol	Description	Weight (g)	Order code	Weight (g)	Order code	Order code	Order code
	Dual flow control	50	P2M1PXFA	50	P2M2PXFA		
	Dual P.O. check valve	50	P2M1PXCA	50	P2M2PXCA		
	Pressure regulator	Pressure range	Gauge				
		0 - 2 bar	0 - 4 bar	135	P2M1PXSR	135	P2M2PXSR
			Without	105	P2M1PXST	165	P2M2PXST
		0 - 4 bar	0 - 7 bar	135	P2M1PXSM	135	P2M2PXSM
			Without	105	P2M1PXSL	165	P2M2PXSL
		0 - 8 bar	0 - 11 bar	135	P2M1PXSG	135	P2M2PXSG
	Without	105	P2M1PXSN	165	P2M2PXSN		
	90% Vacuum generator	30	P2M1PXVA				

Clip-On pneumatic connectors *

Valve Modules				Size 1		Size 2	
Description	Tube OD	Weight (g)	Order code	Weight (g)	Order code	Order code	Order code
	Straight connector	G1/8"	2	FMDG1-1			
		4 mm	2	FMD04-1			
		6 mm	3	FMD06-1	3	FMD06-2	
		8 mm			4	FMD08-2	
		10 mm			5	FMD10-2	
		12 mm			6	FMD12-2	
	Elbow connector	G1/8"	3	CMDG1-1			
		4 mm	3	CMD04-1			
		6 mm	5	CMD06-1	5	CMD06-2	
		8 mm			6	CMD08-2	
		10 mm			7	CMD10-2	
		12 mm			8	CMD12-2	
	Double male union	5	HMDXX1	8	HMDXX2		
	Silencer	3	MMDVA1				
	Plug	3	PMDXX1	5	PMDXX2		

* Fittings and plugs pack quantity : 10

Clip-on accessories

Description	Connection	Pressure range	Weight (g)	Order code
	Clip-on	0 to 4 bar	30	P2M1K0GT
		0 to 7 bar	30	P2M1K0GL
		0 to 11 bar	30	P2M1K0GN
	Diam. 4 mm tube	0 to -1 bar	25	MPS-V8T4-AG
	Diam. 6 mm tube	0 to -1 bar	25	MPS-V8T-AG
Dig. PNP / Ana (4 - 20 mA) Vacuum Sensor 15 cm cable - M8 4 pin's connector	G 1/8" male	0 to -1 bar	45	MPS-V34G-PCI

Complete module ordering, as compared to basic module ordering

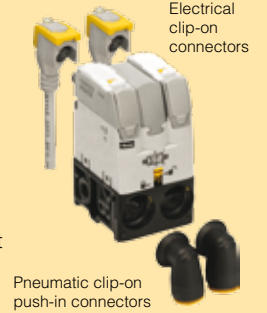
Complete modules

Ordered from the following pages, the complete modules are supplied all equipped with their electrical and pneumatic connectors. Only one order line is necessary, and each module comes complete, with just the necessary chosen connectors.



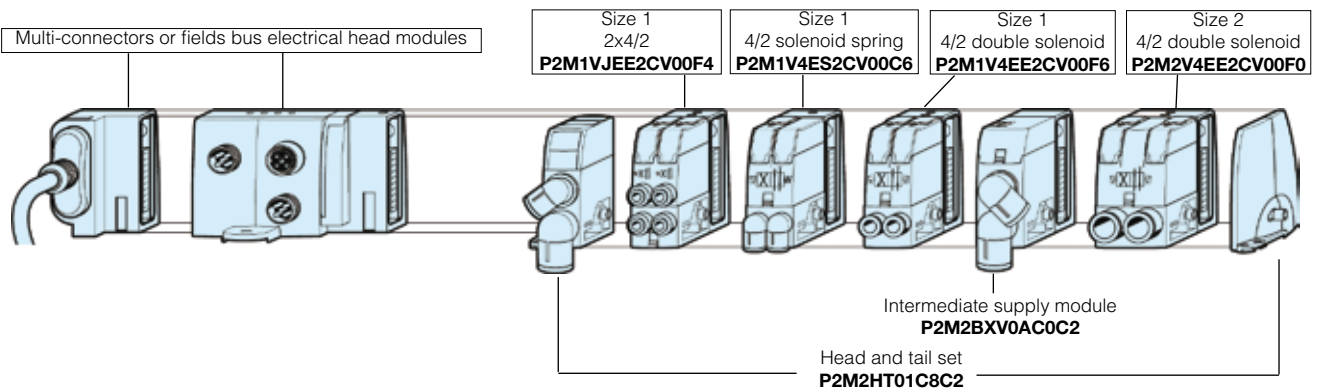
Basic modules

Ordered from the previous pages, the basic modules are to be equipped with their connectors. There clip-on assembly to the module is easy. The main advantage is flexibility : connector type and size may be chosen at the last moment, to fit better the machine needs.



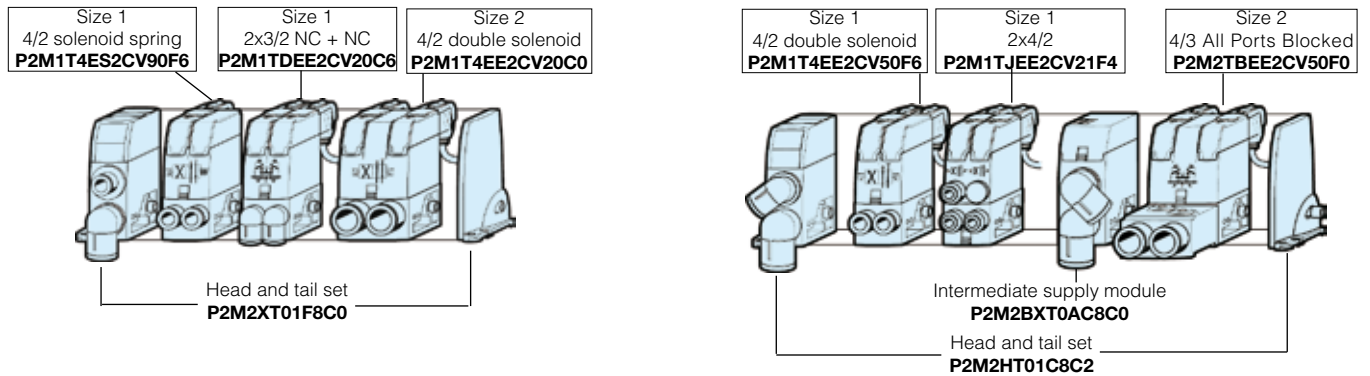
V series

See opposite page for complete module order code chart



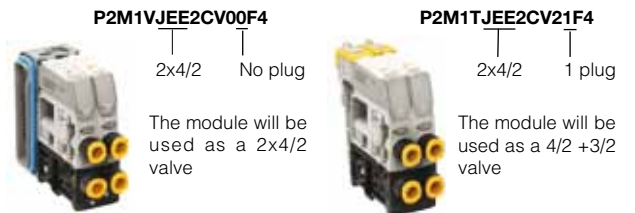
T series

See opposite page for complete module order code chart




Special case : the 2 x 4/2 mini-module plug configuration

For micro-cylinders, this very compact 2 x 4/2 module (order code. JEE) may also be used to obtain 3/2 valves, either Normally Closed or Normally Open. To do so, the complete module may be supplied with plugs that may replace some of the plug-in connectors. To order, use the top chart from opposite page.



Complete Moduflex modules, equipped with their electrical and pneumatic connectors, may be ordered. To do so, use the below chart to define the complete module order codes.

Valve modules



1 2 3 4 5 6 7 8 9 10 11 12 13 14 15

P 2 M 1 V 4 E E 2 C V 0 0 F 6

Minimum ordering quantity : 10 pieces

Size	
1	Size 1
2	Size 2

Series	
V	Integrated connections
T	Individual connectors

Electrical connections	
V Series	
V0	Integrated connection
T Series	
00	No cable
V2	2 m cable
V5	5 m cable
V9	9 m cable

Pneumatic connectors Ports 2 & 4	
Size 1 modules	
F4	Straight 4 mm OD
C4	Elbow 4 mm OD
F6	Straight 6 mm OD
C6	Elbow 6 mm OD
Size 2 modules	
F6	Straight 6 mm OD
C6	Elbow 6 mm OD
F8	Straight 8 mm OD
C8	Elbow 8 mm OD
F0	Straight 10 mm OD
C0	Elbow 10 mm OD

Valve Function - Solenoid Versions *	
4 ES	4/2 Solenoid spring
4 EE	4/2 Double solenoid
D EE	2 x 3/2NC + NC (with exhaust check valve)
C EE	2 x 3/2 NO + NO (with exhaust check valve)
E EE	2 x 3/2 NC + NO (with exhaust check valve)
3 ES	3/2 NC (with exhaust check valve)
G EE	4/3 centre exhaust (= 2x3/2 without exhaust check valve)
B EE	2x3/2 + clipped dual PO check (= 4/3 APB)

Plug configurations	
0	No plug

Only for JEE 2x4/2 modules	
0	0 plug (2x 4/2)
1	1 plug (4/2 + 3/2)
2	2 plugs (2x3/2 or 1x4/2)
3	3 plugs (1x3/2)

Size 1 only	JEE	2x4/2 with exhaust check valve with plug configuration
-------------	-----	--




* For T series only, air pilot versions p21, as basic modules.

Head/Tail & Intermediate Modules

Minimum ordering quantity : 10 pieces

1 2 3 4 5 6 7 8 9 10 11 12 13

P 2 M 2 H X T 0 1 F 0 C 2

Head and intermediate module		
	HXT01	V and T series Pneumatic head and tail set
	BXV0A	V series intermediate supply module with a set of 4 configuration plates
	BXT0A	T series intermediate supply module with a set of 4 configuration plates

Pressure port connector	
F6	Straight 6 mm OD
C6	Elbow 6 mm OD
F8	Straight 8 mm OD
C8	Elbow 8 mm OD
F0	Straight 10 mm OD
C0	Elbow 10 mm OD
F2	Straight 12 mm OD
C2	Elbow 12 mm OD
PP	Plug
MM	Muffler

Exhaust port connector	
F6	Straight 6 mm OD
C6	Elbow 6 mm OD
F8	Straight 8 mm OD
C8	Elbow 8 mm OD
F0	Straight 10 mm OD
C0	Elbow 10 mm OD
F2	Straight 12 mm OD
C2	Elbow 12 mm OD
PP	Plug
MM	Muffler

Complete Moduflex stand alone valves, equipped with their electrical and pneumatic connectors, may be ordered. To do so, use the below chart to define the complete module order codes.

Stand alone valve modules

1 2 3 4 5 6 7 8 9 10 11 12 13 14 15

P2M1S4EE2CV5AF6

Minimum ordering quantity : 10 pieces

Size	
1	Size 1
2	Size 2

Series	
S	Stand alone valve modules

Electrical connector	
00	No cable
V2	2 m cable
V5	5 m cable
V9	9 m cable

Valve Function - Solenoid Versions *	
4ES	4/2 Solenoid spring
4EE	4/2 Double solenoid
DEE	2 x 3/2NC + NC (with exhaust check valve)
CEE	2 x 3/2 NO + NO (with exhaust check valve)
EEE	2 x 3/2 NC + NO (with exhaust check valve)
3ES	3/2 NC (with exhaust check valve)
GEE	4/3 centre exhaust (= 2x3/2 without exhaust check valve)
BEE	2x3/2 + clipped dual PO check (= 4/3 APB)

Pneumatic connectors					
Ports 1 & 3		Outlet ports 2 & 4		Tube OD	
A	Straight & straight	F	Straight & straight	Size 1 modules	
B	Elbow & elbow	C	Elbow & elbow	4	4 mm OD
C	Straight & muffler	0	No connector for plug-in P module	6	6 mm OD
D	Elbow & muffler			Size 2 modules	
				6	6 mm OD
				8	8 mm OD
				0	10 mm OD

Size 1
4/2 solenoid spring
P2M1S4ES2CV5CC6



Size 1
2x3/2 NC + NC
P2M1SDEE2CV2BC6



Size 2
4/2 double solenoid
P2M2S4EE2CV9CC8



Size 2
2x3/2 NC + NC
P2M2SDEE2CV2CC0



Size 2
4/3 All Ports Blocked
P2M2SBEE2CV2AF0

Complete Moduflex peripheral module, equipped with their pneumatic connectors, may be ordered. To do so, use the below chart to define the complete module order codes.

Dual flow control, dual pilot operated check valve, and pressure regulator peripheral modules

Minimum ordering quantity : 10 pieces

1 2 3 4 5 6 7 8 9 10 11 12

P 2 M 1 P X F A J J F 6

Size	
1	Size 1
2	Size 2

Peripheral module function	
F A	Dual flow control
C A	Dual P.O. check valve
Pressure regulators	
S R	0-2 bar, with pressure gauge
S M	0-4 bar, with pressure gauge
S G	0-8 bar, with pressure gauge

Inlet port pneumatic connectors	
Size 1 modules	
F4	Straight 4 mm OD
C4	Elbow 4 mm OD
F6	Straight 6 mm OD
C6	Elbow 6 mm OD
Size 2 modules	
F6	Straight 6 mm OD
C6	Elbow 6 mm OD
F8	Straight 8 mm OD
C8	Elbow 8 mm OD
F0	Straight 10 mm OD
C0	Elbow 10 mm OD

Outlet port pneumatic connectors	
Size 1 modules	
F4	Straight 4 mm OD
C4	Elbow 4 mm OD
F6	Straight 6 mm OD
C6	Elbow 6 mm OD
Size 2 modules	
F6	Straight 6 mm OD
C6	Elbow 6 mm OD
F8	Straight 8 mm OD
C8	Elbow 8 mm OD
F0	Straight 10 mm OD
C0	Elbow 10 mm OD

Vacuum generator peripheral module

Minimum ordering quantity : 10 pieces

1 2 3 4 5 6 7 8 9 10 11 12 13 14 15 16

P 2 M 1 P X V A F 6 A F 6 C M A A

Size	
1	Size 1

Peripheral module function	
V A	Vacuum generator

Exhaust port (3) *	
F4	Straight 4 mm OD
C4	Elbow 4 mm OD
F6	Straight 6 mm OD
C6	Elbow 6 mm OD
MA	Clip-on muffler

Pressure & Blow-off port connectors	
JJ	Clip-on double male union
F4	Straight 4 mm OD
C4	Elbow 4 mm OD
F6	Straight 6 mm OD
C6	Elbow 6 mm OD
F1	Straight threaded 1/8"
C1	Elbow threaded 1/8"

Vacuum and Vacuum Sensor port connectors	
F4	Straight 4 mm OD
C4	Elbow 4 mm OD
F6	Straight 6 mm OD
C6	Elbow 6 mm OD
F1	Straight threaded 1/8"
C1	Elbow threaded 1/8"

A	2 clip-on male union
A	2 push-in connectors
B	1 push-in connector 1 plug on blow-off port
A	2 similar connectors
B	1 connector on vacuum port 1 plug on vacuum sensor port
D	1 Connector on Vacuum Port 1 Dig/Ana Vacuum Sensor MPS-V34G-PCI
E	1 Connector on Vacuum Port 1 Analog Vacuum Sensor MPS-V8T-AG

Moduflex Valve Island Configurator

This software facilitates any valve island configuration and its bill ordering through basic or complete modules.

Pre-assembled valve island ordering

As an option, so defined with the configurator, any Moduflex Valve island may be ordered as pre-assembled.



Island configuration practice

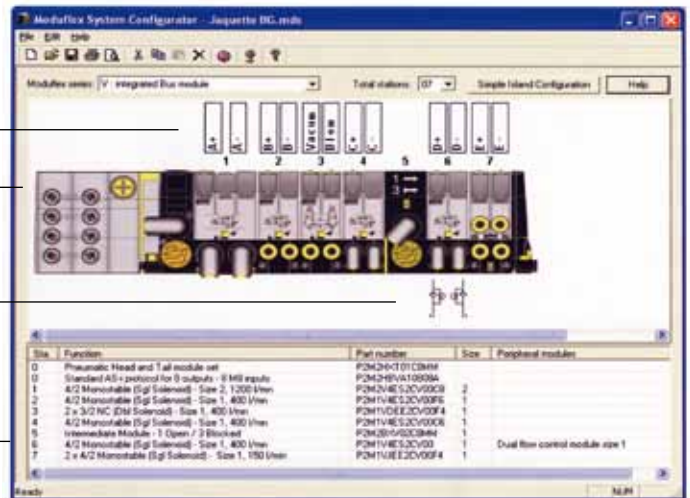
An easy step by step procedure, finalized with the complete valve island print, composition report and 2D drawing.

Valve island modules identification

Valve island graphic description

including pneumatic function module symbol, outlet port connector, pneumatic and electrical head module,...

Additional peripheral modules



Valve island composition

including each module description and order code

An easy to use software for a complete ordering tool

The Moduflex Valve Island Configurator software offers an easy way to, step by step, configure the required valve island for the application.

Valve island print with symbols and markings

Once the valve island configured, picture of the configuration allows a visual control.



4 pages report :

A complete 4 pages report can be edit, giving :

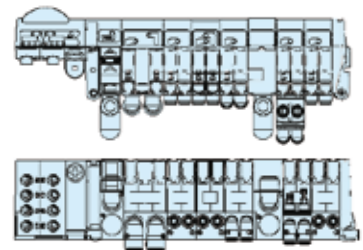
Page 1	Page 2	Page 3	Page 4
Complete list of "basic modules" pneumatic connectors, mufflers and electrical connectors	Complete list of components splitted slice by slice	Detail list of "complete module" with module width and total valve island length	Warnings and advices depending on the configuration

Multi-language CD-Rom order code :

PDE2536CDV3.1-ev

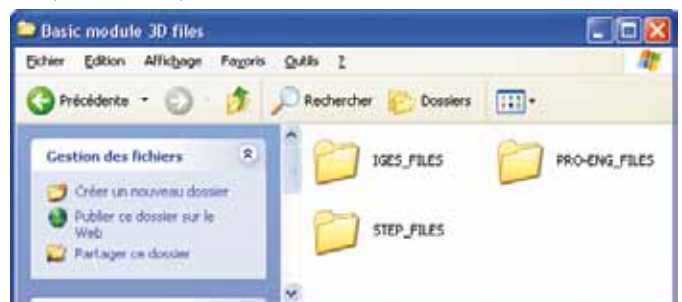
2D drawing :

A direct valve island configuration exportation function to .dxf format included.



3D drawing library :

3 formats are available on the CD for each basic module, electrical components and pneumatic connectors.



3D e-configurator software :

Also available, a 3D e-configurator on : <http://www.parker.com/pneu/moduflex>

1 - Multi-connector or sub-D 25 valve island

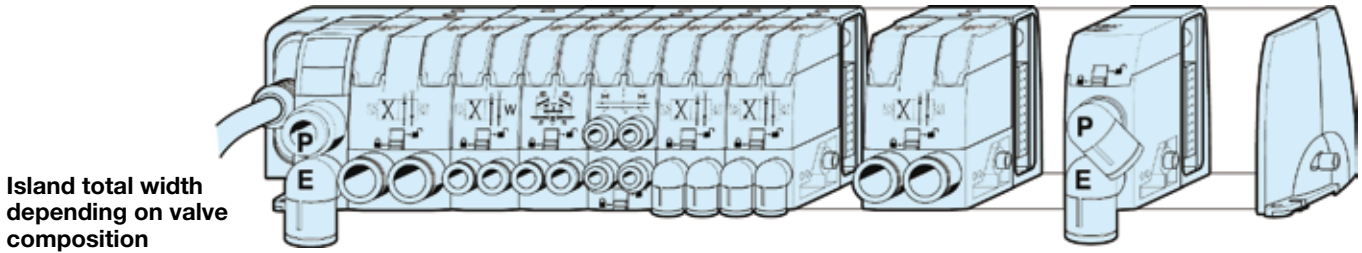
Multi-connector or sub-D 25 electrical head module width : 15 mm

Head and tail pneumatic module set width : 48 mm

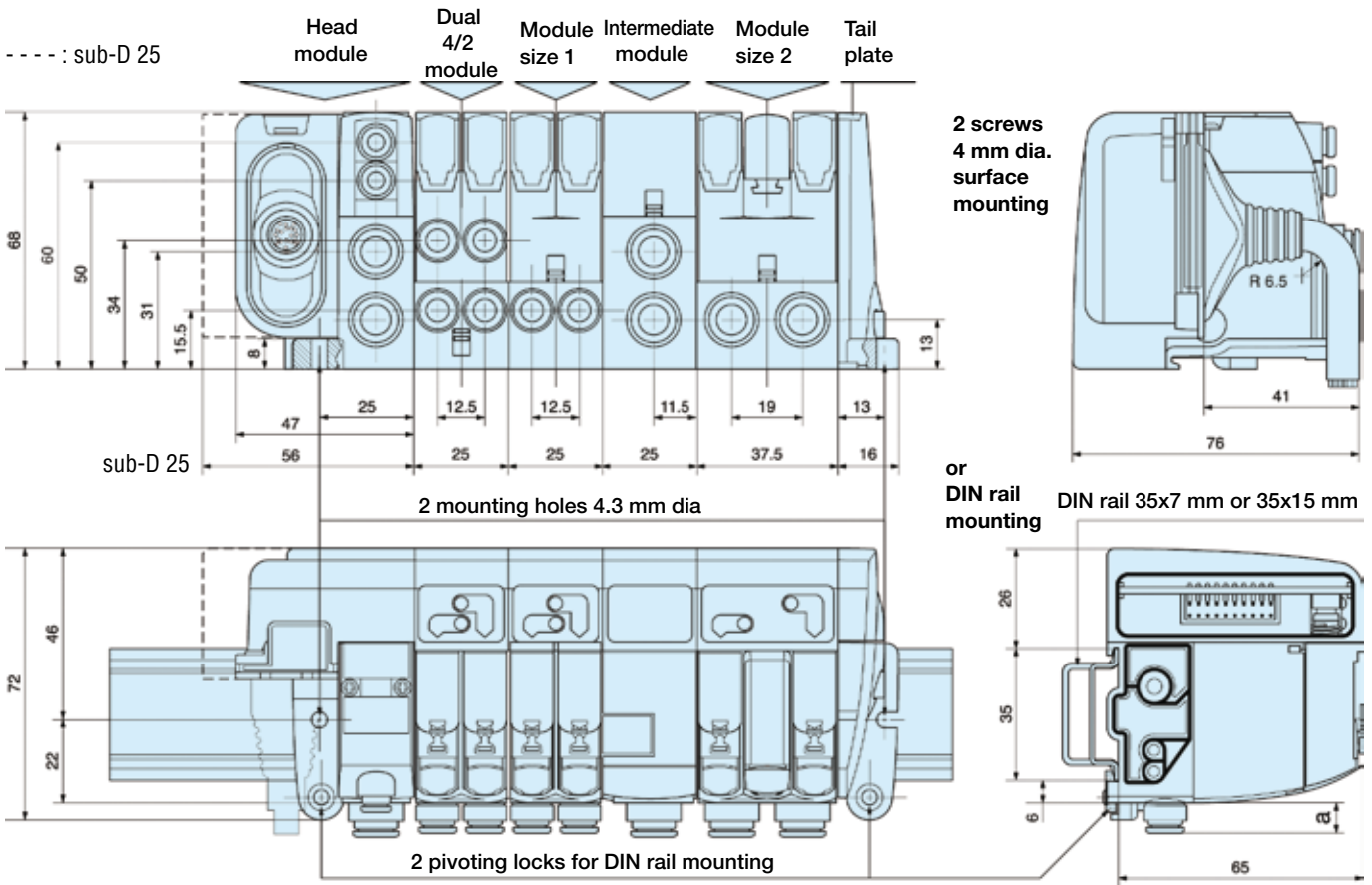
Modules size 1 width : 25 mm

Modules size 2 width : 37.5 mm

Intermediate module width : 25 mm



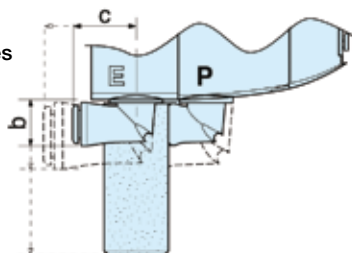
Island total width depending on valve composition



Special case : 4/3 closed centre function within island version : Add the dimensions of the dual P.O. check valve module plugged into the island.

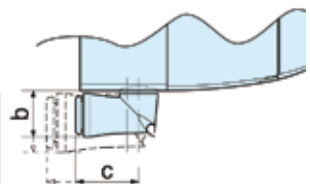
Island head and intermediate modules

	a	b	c
6 mm tube OD	8	13	16
8 mm tube OD	9	16	19
10 mm tube OD	13	18	22
12 mm tube OD	13	19	25
muffler		40	



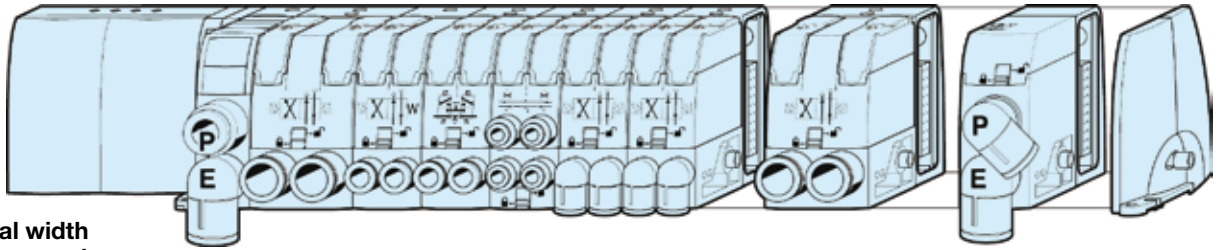
Island valves modules

	OD tube	a	b	c
Size 1 modules	4 mm	8	10	12
	6 mm	8	13	16
Size 2 modules	8 mm	9	16	19
	10 mm	13	18	22

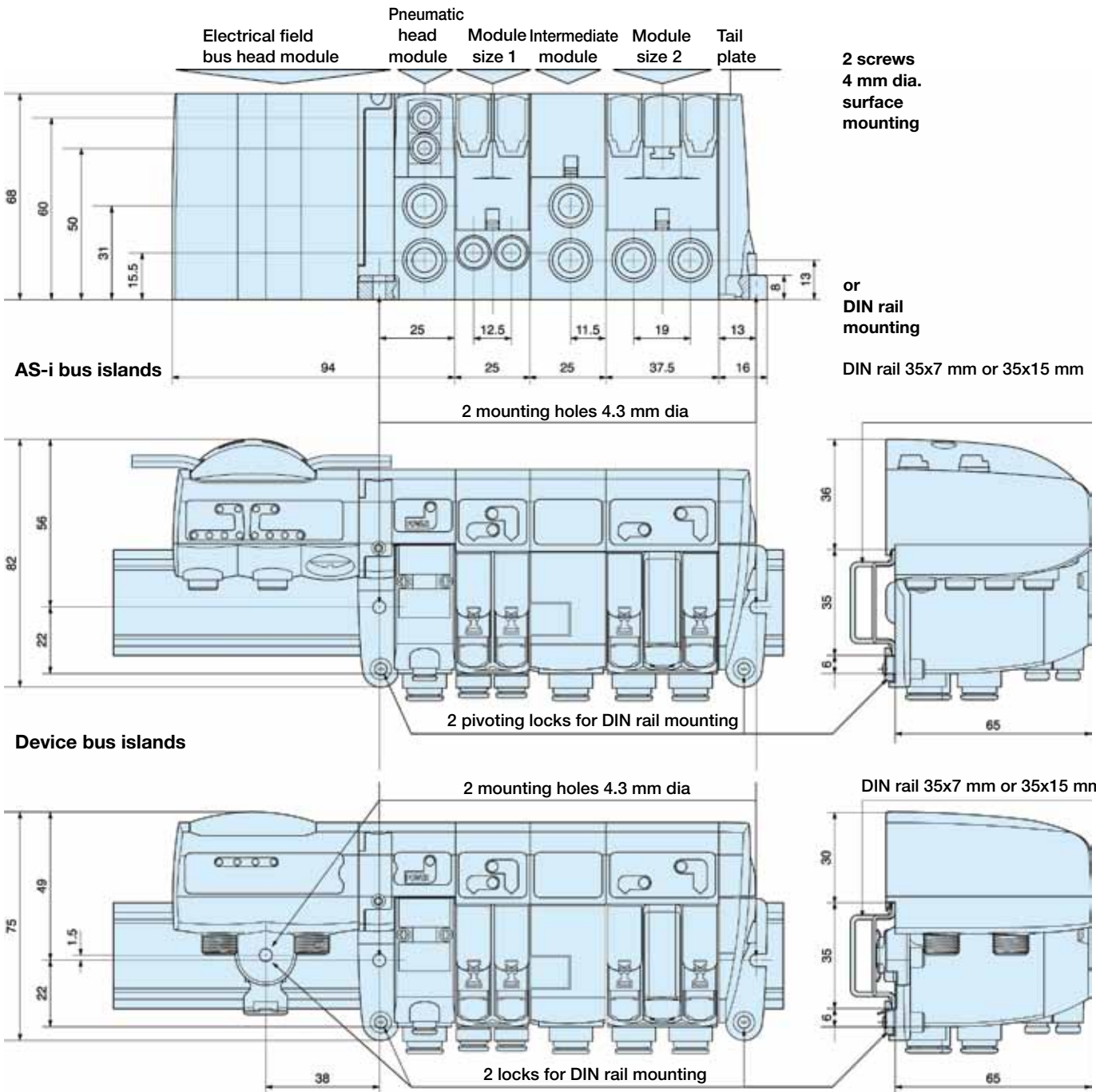


2 - Field bus connected islands

Electrical field bus head module width : 62 mm	Head and tail pneumatic module set width : 48 mm	Modules size 1 width : 25 mm	Modules size 2 width : 37.5 mm	Intermediate module width : 25 mm
---	---	---------------------------------	-----------------------------------	--------------------------------------

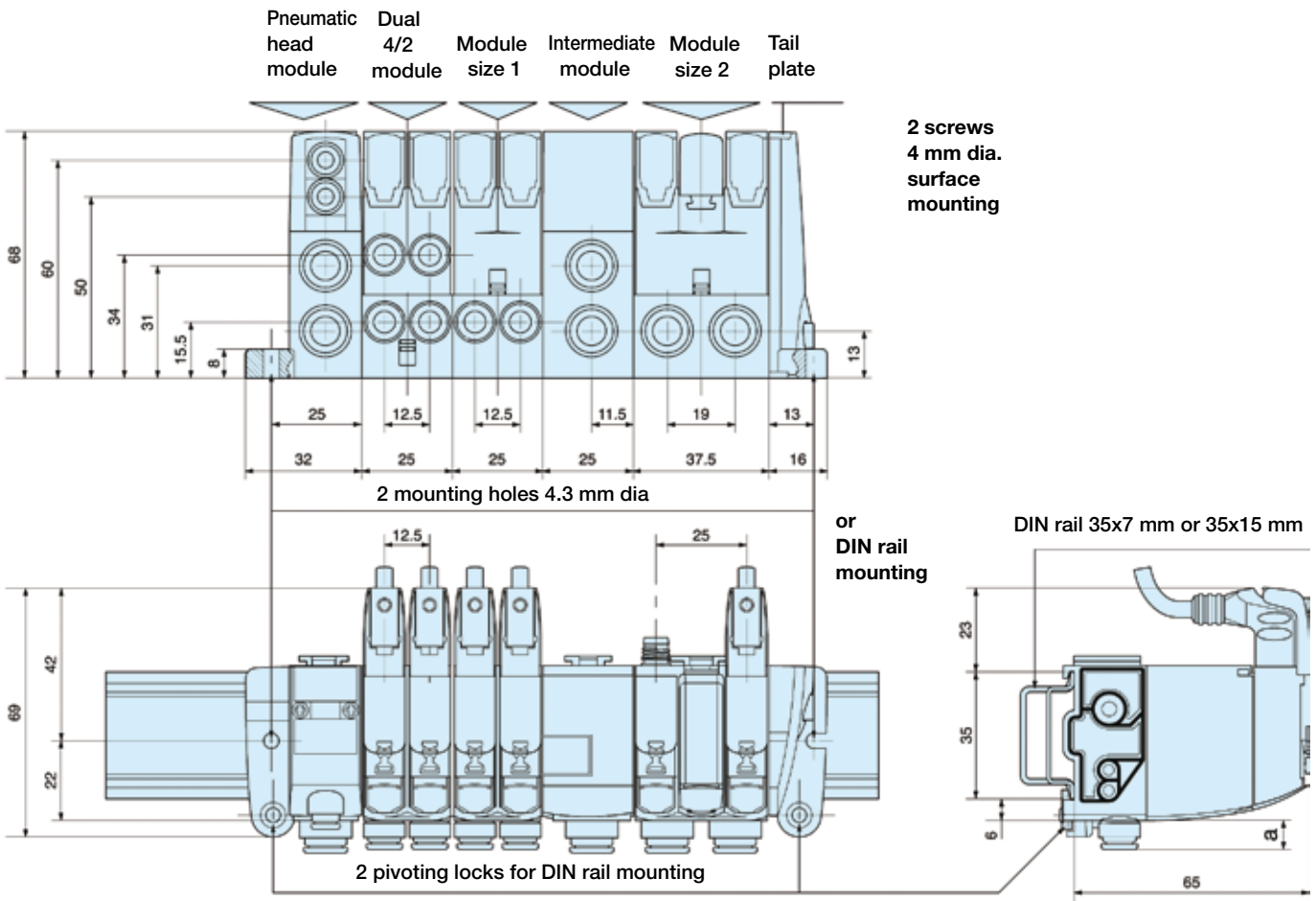
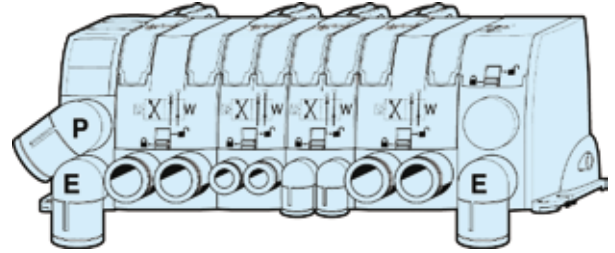
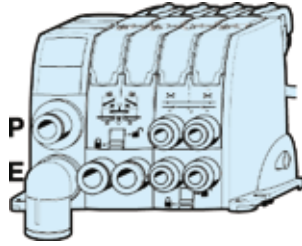


Island total width depending on valve composition



Island total width depending on valve composition

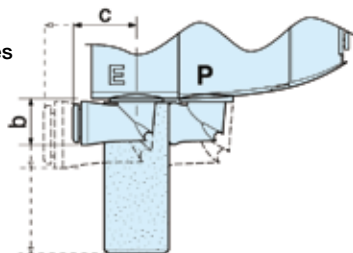
	Pneumatic head and tail module	Modules size 1	Modules size 2	Intermediate module
width ⇒	48 mm	25 mm	37.5 mm	25 mm



Special case : 4/3 closed centre function within island version :
Add the dimensions of the dual P.O. check valve module plugged into the island.

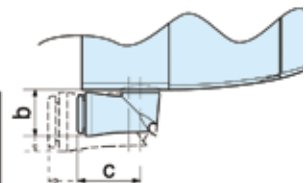
Island head and intermediate modules

	a	b	c
6 mm tube OD	8	13	16
8 mm tube OD	9	16	19
10 mm tube OD	13	18	22
12 mm tube OD	13	19	25
muffler		40	



Island valves modules

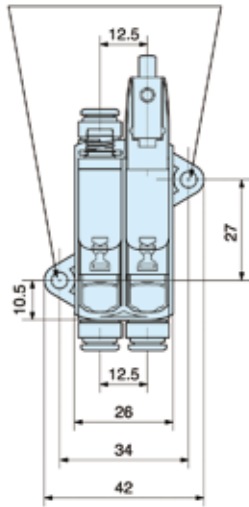
	OD tube	a	b	c
Size 1 modules	4 mm	8	10	12
	6 mm	8	13	16
Size 2 modules	8 mm	9	16	19
	10 mm	13	18	22



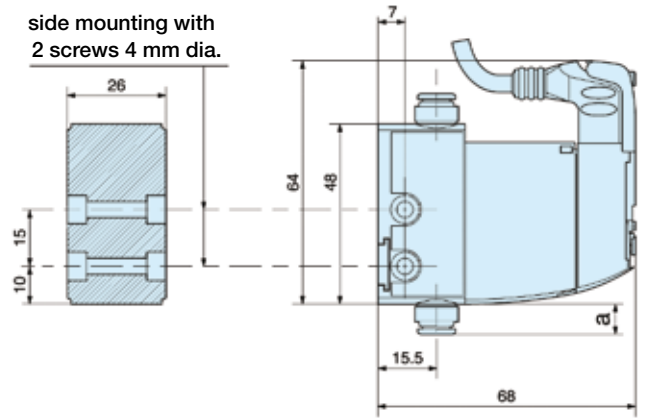
Stand-alone valve size 1



surface mounting with screws
 4 mm dia. into retractable brackets 3 mm thick



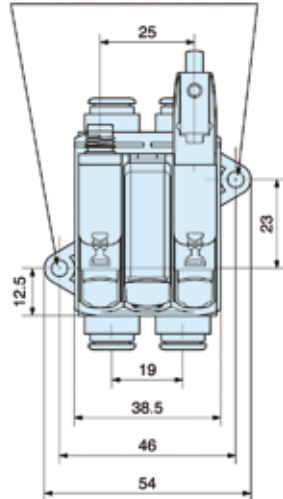
or side mounting with
 2 screws 4 mm dia.



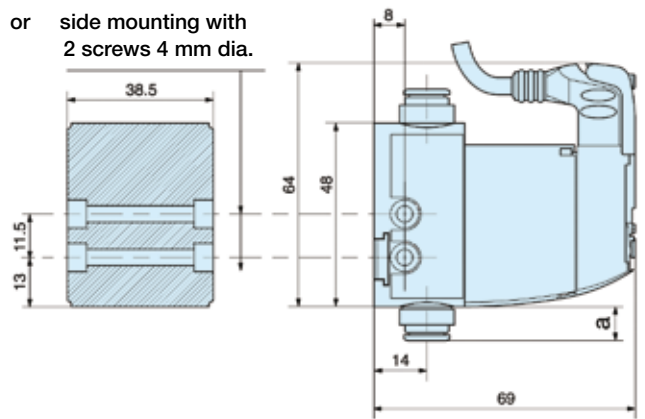
Stand-alone valve size 2



surface mounting with screws
 4 mm dia. into retractable brackets 3 mm thick



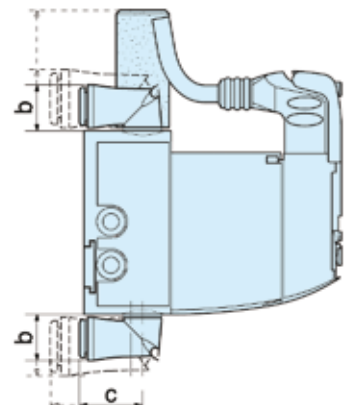
or side mounting with
 2 screws 4 mm dia.



Dimensions and mountings of the stand-alone valves 4/2, double and single 3/2, 4/3 vented centre and 4/3 pressure centre.

Special case : 4/3 closed centre. Add the dual P.O. check valve module that has been plugged in the basic valve.

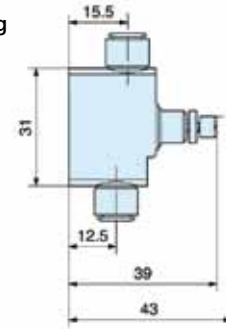
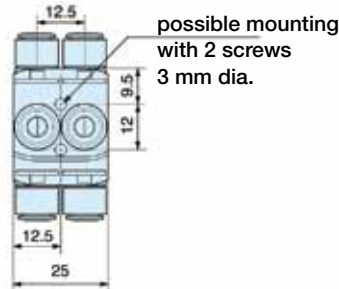
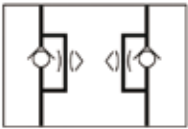
		a	b	c
Size 1 modules	4 mm tube OD	8	10	12
	6 mm tube OD	8	13	16
	muffler		31	
Size 2 modules	8 mm tube OD	9	16	19
	10 mm tube OD	13	18	22
	muffler		40	



Reminder : peripheral modules may either be plugged in a valve or mounted in line separate from the valve

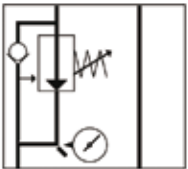


Dual flow control module size 1

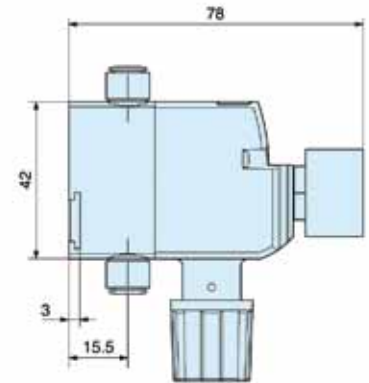
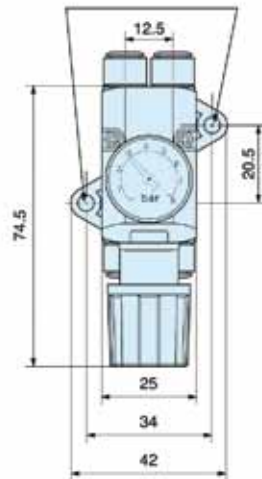


Pressure regulation module size 1

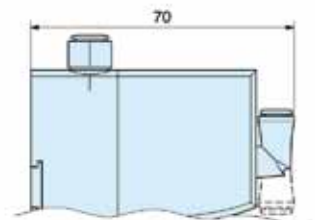
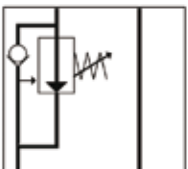
- with gauge



mounting with 2 screws 4 mm dia. on retractable brackets

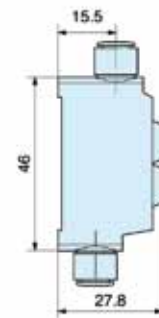
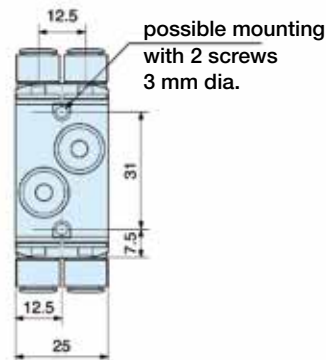
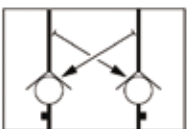


- without gauge

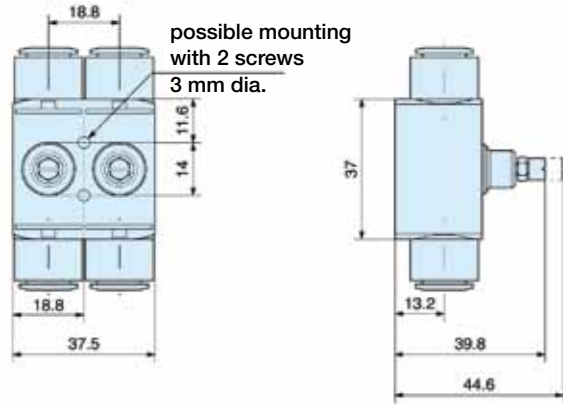
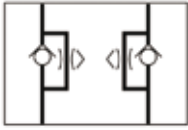


swivel elbow push-in connector 4 mm OD tube

Dual P.O. check valve module size 1

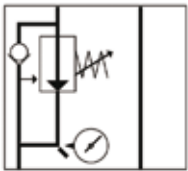


Dual flow control module size 2

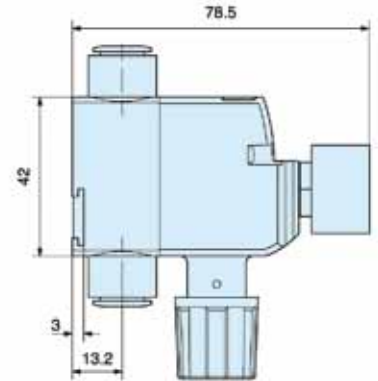
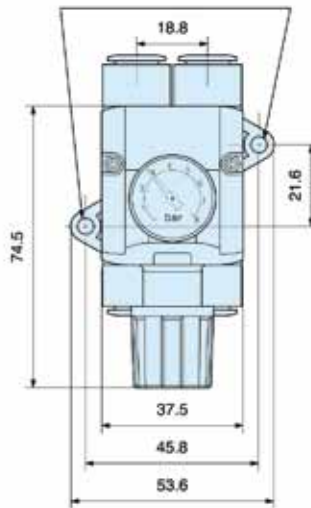


Pressure regulation module size 2

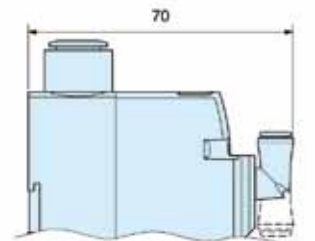
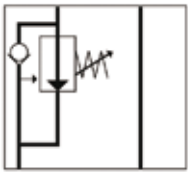
- with gauge



mounting with 2 screws 4 mm dia.
 on retractable brackets

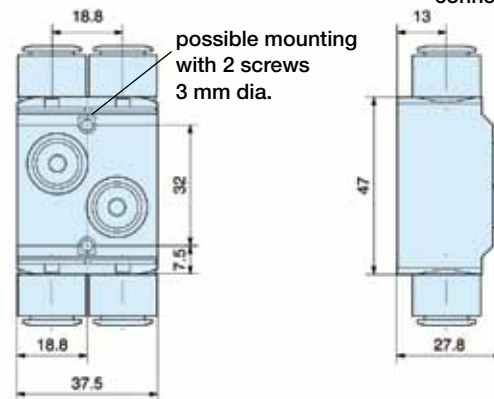
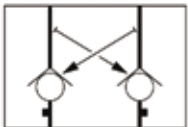


- without gauge



swivel elbow push-in
 connector 4 mm OD tube

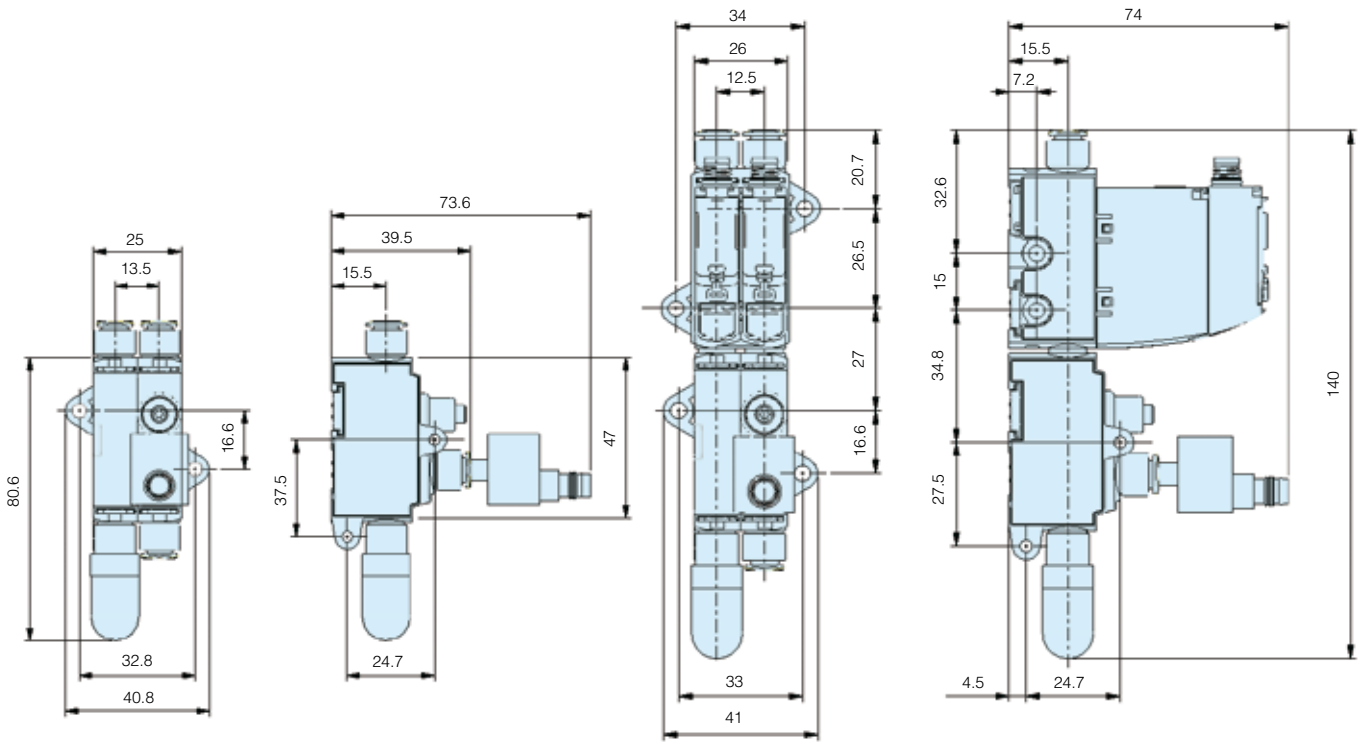
Dual P.O. check valve module size 2



Vacuum generator module

In-line

With Moduflex valve



High speed poppet type solenoid valves with individual electrical connections. Light weight plastic bodies with DIN rail manifold. Ideal for cabinet installations.

- High speed poppet valve
- Push-in connection
- Built-in terminal block
- Pneumatic output indicator
- DIN rail mounting

Poppet valve, not suitable for use with Soft or Slow start Valves. When pressure is applied, the double solenoid interface takes a pre-determined position (non activated). In the absence of electrical signal, output 2 (yellow indicator) is activated, output 4 (red indicator) is non activated. Double solenoid version is delivered as standard with Non locking flush override.

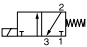
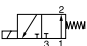


Operating information

Working pressure;	
3/2 and 4/2:	3-8 bar
Low pressure interface 3/2:	1-8 bar
Flow (Qmax):	200 l/min
Working temperature	-15 °C to +60 °C
For more information see www.parker.com/euro_pneumatic	

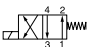
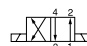
Electro-Pneumatic modules 3/2

With solenoid valve, output with Ø4 mm Push-in connection
 Visual indication of pneumatic output (NC) red : (NO) yellow
 Spring return manual override. 24V DC

Symbol	Order code
	PS1-E21102B
	PS1-E22102B


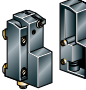

Electro-Pneumatic modules 4/2

With solenoid valve, two outputs with Ø 4 mm Push-in connections
 Visual indication of pneumatic output (NC) red and (NO) yellow
 Spring return manual override. 24V DC

Symbol	Order code
	PS1-E28102B
	PS1-E29102B

Head and tail sets - intermediate supply modules

For 3/2 and 4/2 interface modules

	Description	Pneumatic connection	Characteristics	Order code
	Set for single air supply connection	Push-in Ø 6 mm G1/8	1 electrical common terminal 1 main air supply port 1 exhaust port	PS1-E101 PS1-E1018
	Set for double air supply connection	Push-in Ø 6 mm G1/8	1 electrical common terminal 2 main air supply ports 2 exhaust ports	PS1-E102 PS1-E1028
	Intermediate air supply module	Threaded G1/8 (see description below)*	1 air supply port 1 exhaust port	PS1-E1038

Incorporating an intermediate supply module into a group of electro-pneumatic modules gives the following options:

Air supply connection

- Additional G1/8 port to supplement the air supply to the manifold
- Blank the common air supply, enabling different pressures to be supplied to groups of modules within the manifold


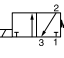
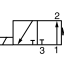

Exhaust connection

- Additional exhaust flow through the G1/8 port
- Blank the common exhaust, enabling separation of exhaust from module groups

* The intermediate supply module is supplied with 4 interchangeable connectors to enable the above supply options to be achieved


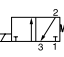
Electro-Pneumatic modules 3/2

Modules without solenoid valve*
3 to 8 bar version

Symbol	Connection	Actuator	Return	Order code
	Push-in Ø4 mm	Solenoid	Spring	PS1-E111
	Visual indication of pneumatic output (NC) red			
	Push-in Ø6 mm	Solenoid	Spring	PS1-E116
	Visual indication of pneumatic output (NC) red			
	Push-in Ø4 mm	Solenoid	Spring	PS1-E121
	Visual indication of pneumatic output (NO) yellow			
	Push-in Ø6 mm	Solenoid	Spring	PS1-E126
	Visual indication of pneumatic output (NO) yellow			

Electro-Pneumatic modules 3/2

Modules without solenoid valve* - 1 to 8 bar version

Symbol	Connection	Actuator	Return	Order code
	Push-in Ø4 mm	Solenoid	Spring	PS1-E311
	Visual indication of pneumatic output (NC) red			
	Push-in Ø6 mm	Solenoid	Spring	PS1-E316
	Visual indication of pneumatic output (NC) red			

* To obtain a complete Electro-Pneumatic interface module, order:
1 module without solenoid valve (e.g.: PS1-E121) + 1 solenoid
valve (e.g.: PS1-E2302B)

**Solenoids 15 mm 1,2 W / 1,6 VA
(8mm pin spacing)**

Spring return manual override


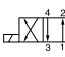
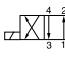

Voltage	Order code
24 VDC	P2E-KS32C1
48 VDC	P2E-KS32D1
24 V 50/60Hz	P2E-KS31C1
48 V 50/60Hz	P2E-KS34D1
115 V 50Hz, 120 V 60Hz	P2E-KS31F1
230 V 50Hz, 240 V 60Hz	P2E-KS31J1

Indexing manual override

Voltage	Order code
24 VDC	P2E-KS32C2
48 VDC	P2E-KS32D2
24 V 50/60Hz	P2E-KS31C2
48 V 50/60Hz	P2E-KS34D2
115 V 50Hz, 120 V 60Hz	P2E-KS31F2
230 V 50Hz, 240 V 60Hz	P2E-KS31J2

Electro-Pneumatic modules 4/2


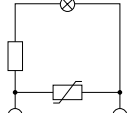
Modules without solenoid valve*
Visual indication of pneumatic output (NC) red and (NO) yellow

Symbol	Connection	Actuator	Return	Order code
	Push-in Ø4 mm	Solenoid	Solenoid	PS1-E191
	Push-in Ø6 mm	Solenoid	Solenoid	PS1-E196
	Push-in Ø4 mm	Solenoid	Spring	PS1-E181
	Push-in Ø6 mm	Solenoid	Spring	PS1-E186

* To obtain a complete Electro-Pneumatic interface module, order:
1 module without solenoid valve (e.g.: **PS1-E191**) + 2 solenoids
valves (e.g.: **PS1-E2302B**)


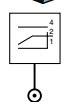
Suppressor and LED indicators

For mounting between the solenoid valve and the cable plug.

Symbol	Description	Voltage	Order code
	LED Indicator	24 V AC/DC	P8V-CR26C
		115 V 50 Hz 120 V 60 Hz	P8V-CR24F
		230 V~50 Hz 240 V~60 Hz	P8V-CR24J

Note: The Interface modules have been re-designed to accept the 9,4mm spacing and the 8mm spacing versions of the suppressor and LED indicators listed above. If you are purchasing a suppressor for maintenance on an Interface module purchased before June 2004, then refer to Interface Technical leaflet supplied with this catalogue.

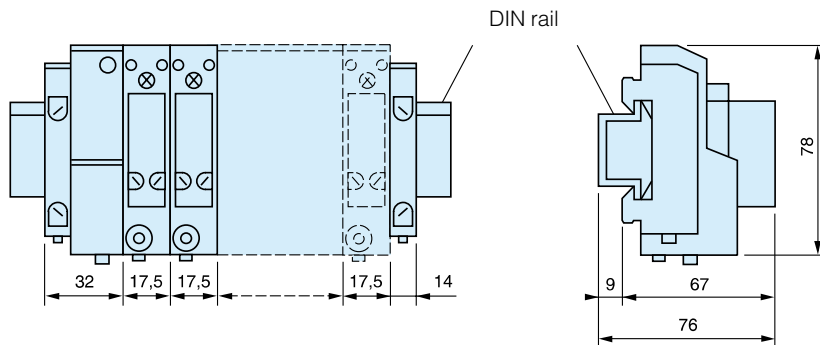
Pressure switches

	Order code
	PS1-P1081
1 changeover contact 5 A/250 V Pneu. Ø 4 mm	Fixed operating threshold < 1,3 bar
	PS1-P1091
1 changeover contact 5 A/250 V Pneu. Ø 4 mm	Adjustable operating threshold 2 to 5 bar

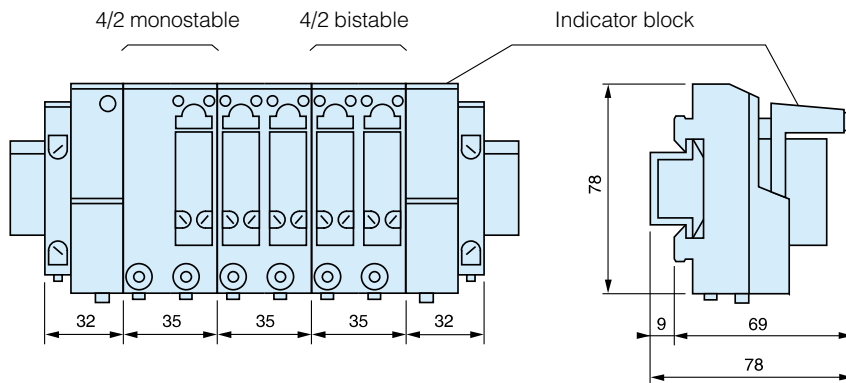
Note: The Interface modules have been re-designed to accept the previous 9,4mm spacing solenoids and the new 8mm spacing solenoids listed above. If you are purchasing a solenoid for maintenance on an Interface module purchased before June 2004, then refer to Interface Technical leaflet supplied with this catalogue.

Dimensions, PS1 valve Series

Electropneumatic interface modules 3/2
 PS1-E21102• with PS1-E101 head and tail units



Electropneumatic interface modules 4/2
 PS1-E28• and PS1-E29 with PS1-E102 head and tail units



Stacking high flow valves with air pilot or solenoid actuation. Lightweight plastic bodies feature push-in or threaded connections. Stacking valves feature modular inlet and exhaust facility.



- High flow, compact size
- Push-in or threaded connection
- DIN rail or block mounting
- Light weight construction

 **For ATEX specific products contact Sales Office**


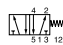
Operating information

Working pressure;
 Pneumatically operated: 2-10 bar
 Electrically operated, bistable: 2-10 bar
 Electrically operated, monostable: 3-10 bar
 Working temperature -15 °C to +60 °C



	PVL-B	PVL-C
Flow (Qmax):	900 l/min	1800 l/min
Flow Qn:	540 l/min	1100 l/min

Flow measured with valve stacked in island.


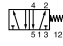
Electrically/Pneumatically actuated 5/2 valves size G1/8*

Symbol	Connect	Order code
	Ø6 mm	PVL-B122606
	G1/8	PVL-B122618
	Ø6 mm	PVL-B121606
	G1/8	PVL-B121618



Electrically/Pneumatically actuated 5/3 valves size G1/8*

Symbol	Connect	Order code
	Ø6 mm	PVL-B127606
	G1/8	PVL-B127618
	Ø6 mm	PVL-B128606
	G1/8	PVL-B128618

Electrically/Pneumatically actuated 5/2 valves size G1/4*

Symbol	Connect	Order code
	Ø8 mm	PVL-C122608
	G1/4	PVL-C122619
	Ø8 mm	PVL-C121608
	G1/4	PVL-C121619


Electrically/Pneumatically actuated 5/3 valves size G1/4*

Symbol	Connect	Order code
	Ø8 mm	PVL-C127608
	G1/4	PVL-C127619
	Ø8 mm	PVL-C128608
	G1/4	PVL-C128619

* For solenoids and pilot connectors, see next page

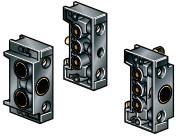

* For solenoids and pilot connectors, see next page

Electrically/Pneumatically actuated 2 x 3/2 valves

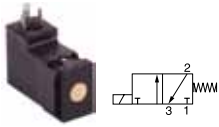
Symbol	Connect	Order code
	Ø6 mm	PVL-B125606

Head and tail sets




For stacking power valves 5/2, sizes M5, G1/8 and G1/4

	Type of mounting	Description	Valve size	Port size	Order code
	DIN rail mounting	Single air supply head and tail set	1/8" 1/4"	G1/4 G3/8	PVL-B1719 PVL-C1713
		Dual air supply head and tail set	1/8" 1/4"	G1/4 G3/8	PVL-B1729 PVL-C1723
	Surface mounting	Single air supply head and tail set	1/8" 1/4"	G1/8 G1/4	PVL-B1818 PVL-C1819
		Double air supply head and tail set	1/8" 1/4"	G1/8 G1/4	PVL-B1828 PVL-C1829

Solenoids 15mm NC Standard flow DIN 1.2W/1.6VA

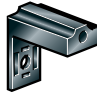
	Voltage	Order code Override flush non locking	Order code Override flush locking
	24 VDC	P2E-KV32C1	P2E-KV32C2
	48 VDC	P2E-KV32D1	
	24 VAC 50Hz	P2E-KV31C1	P2E-KV31C2
	48 VAC 50/60Hz	P2E-KV34D1	P2E-KV34D2
	115 VAC 50Hz/ 120 VAC 60Hz	P2E-KV31F1	P2E-KV31F2
	230 VAC 50Hz/ 240 VAC 60Hz	P2E-KV31J1	P2E-KV31J2

Cable plugs 15 mm (8 mm pin spacing) IP 65

	Description	Order code
	Large headed screw for inaccessible or recess position	
	Standard to be wired universal To be wired LED+protection 24 VDC	P8C-C P8C-C26C
	With standard screw	
	Standard to be wired universal To be wired LED+protection 24 VDC	P8C-D P8C-D26C
	With cable and standard screw	
	Standard with 2 m cable	P8L-C2
	Standard with 5 m cable	P8L-C5
	LED+protection 24 VAC/DC, 2 m	P8L-C226C
LED+protection 24 VAC/DC, 5 m	P8L-C526C	

Suppressor and LED indicators

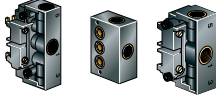

For mounting between the solenoid valve and the cable plug.

Symbol	Description	Voltage	Order code
	LED Indicator	24 V AC/DC	P8V-CR26C
		48 V AC/DC	P8V-CR26D
		115 V 50 Hz 120 V 60 Hz	P8V-CR24F
		230 V~50 Hz 240 V~60 Hz	P8V-CR24J

Air Pilot Connectors for PVL - B and C

Mounting	Type of connection	Order code
Mounts on the same interface as the 1 W / 1,2 VA solenoid actuator	Push-in Ø4 mm Threaded M5	PVA-P111 PVA-P115

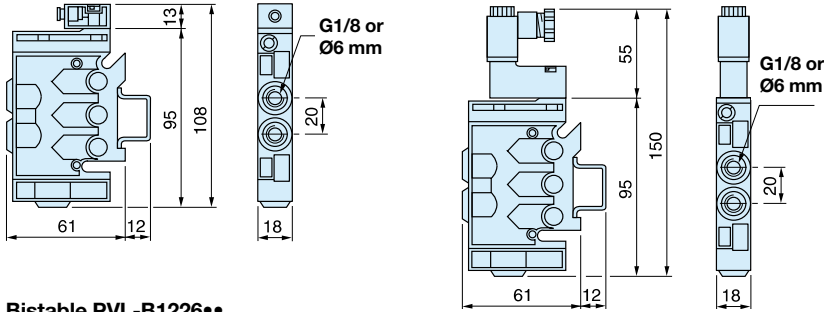
Components for stacking two sizes of valve

	Type of mounting	Description	Valve size	Order code
Components for stacking 2 sizes: "transfer/take-off" module and corresponding head and tail set	DIN rail	Kit for stacking power valves : - one "transfer/take-off" module - Head and tail set with one in each size.	1/8" and 1/4"	PVU-LCB119
		Kit for sealing the commons: - 3 common blanking plugs - 2 drilled and threaded rods - 2 screws for extended tie rods	1/8" 1/4"	PVL-B1901 PVL-C1901
	Components for inlet/exhaust common gallery sealing			
				

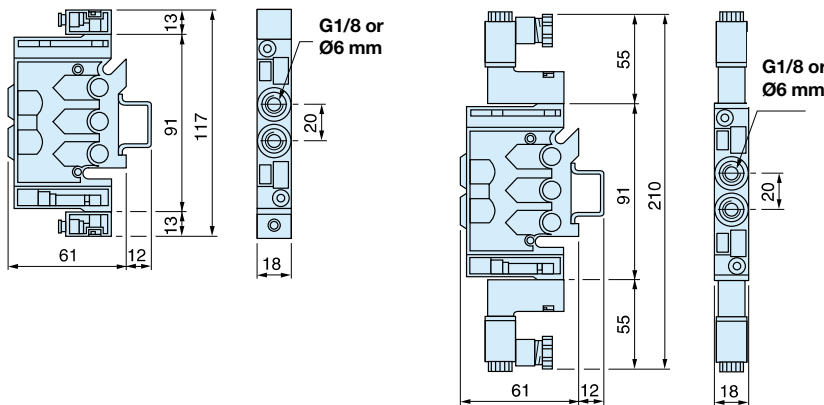
Dimensions, PVL valve Series

All dimensions in mm unless otherwise stated

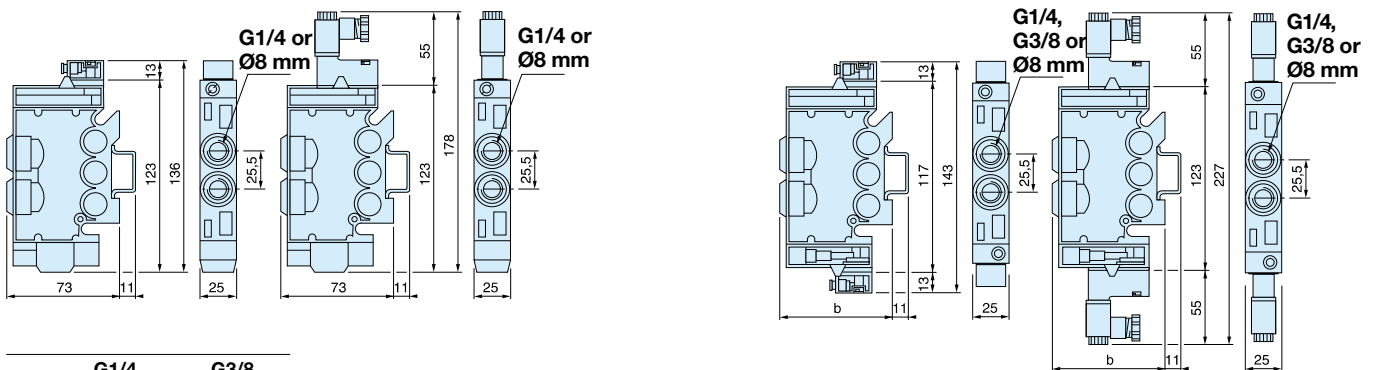
Stacking power valves 1/8" with pneumatic or electrical piloting
Monostable PVL-B1216••, PVL-B1236••



Bistable PVL-B1226••



Stacking power valves 1/4" with pneumatic or electrical control
With 1 W solenoid actuator and suitable pneumatic connector
Monostable PVL-C1216••, PVL-C1236••

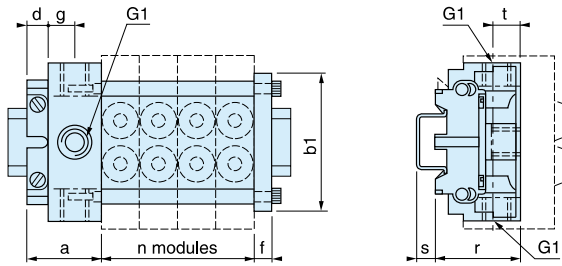


	G1/4	G3/8
b	73	77

Head and tail sets

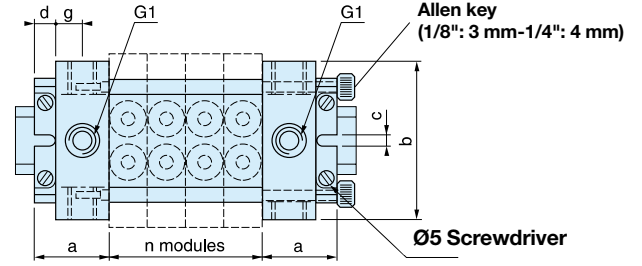
Single air supply

PVL-B1719, PVL-C1713, mounting on DIN rail



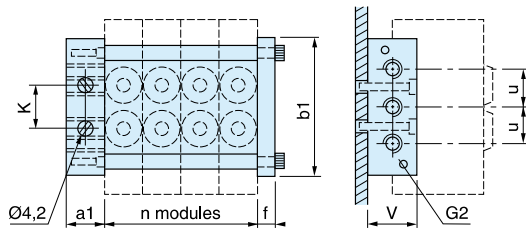
Dual air supply

PVL-B1729, PVL-C1723, mounting on DIN rail



Single air supply

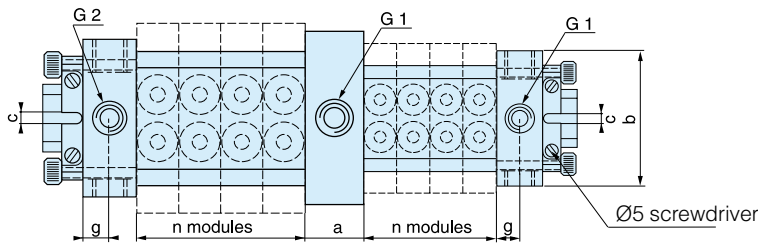
PVL-B1818, PVL-C1819, "stack mounting"



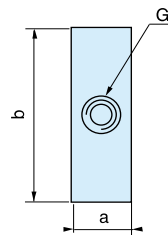
	a	a1	b	b1	c	d	f	g	G1	G2	k	r	s	t	u	v
1/8"	38	16	83	70	4,2	10	8	12	1/4"	1/8"	17,3	44	9	11	16	25
1/4"	38	20	108	100	4,2	10	8	12	3/8"	1/4"	63,5	55	9	13	20	30

"Transfer / take-off" module, intermediate supply module

For combination of sizes 1/4" - 1/8" - PVU-LCB119



PVUL-BB118 - PVU-LCC119



	a	b	G
1/8"	18	75	1/8
1/4"	25	100	1/4

Industrial Communication System

Isysnet / Moduflex

*Isysnet system for **centralised** and **decentralised** applications*



Isysnet System for Centralised applications

Isysnet System has 4 major components :

- **Communication interface modules** provide the network- interface circuitry
- **I/O modules** provide the field interface, system-interface circuitry, and bases for mounting
- **Power distribution module** provide the solution to expandability of the Isysnet system or multiple power supply

Moduflex Bus System for Decentralised applications

The Moduflex communication module is directly attach the either, a Moduflex, Isys Micro or Isys ISO manifold in a compact valve island directly connectable to the industrial network.

Pneumatic variants using Isysnet Industrial communication system for Centralised applications

Isysnet device with electric modules only



Isysnet with Isys Micro extended device



Isysnet with Isys Micro Valves island



Isysnet with Isys ISO valves island

Isys ISO 15407-2 – HA & HB
Isys ISO 5599-2 – H1



Pneumatic variants using Moduflex Fieldbus modules for Decentralised applications

Moduflex Bus with Moduflex Valve System



Moduflex Bus with Isys Micro Valves island



Moduflex Bus With Isys ISO 15407-2 or 5599-2 valves island

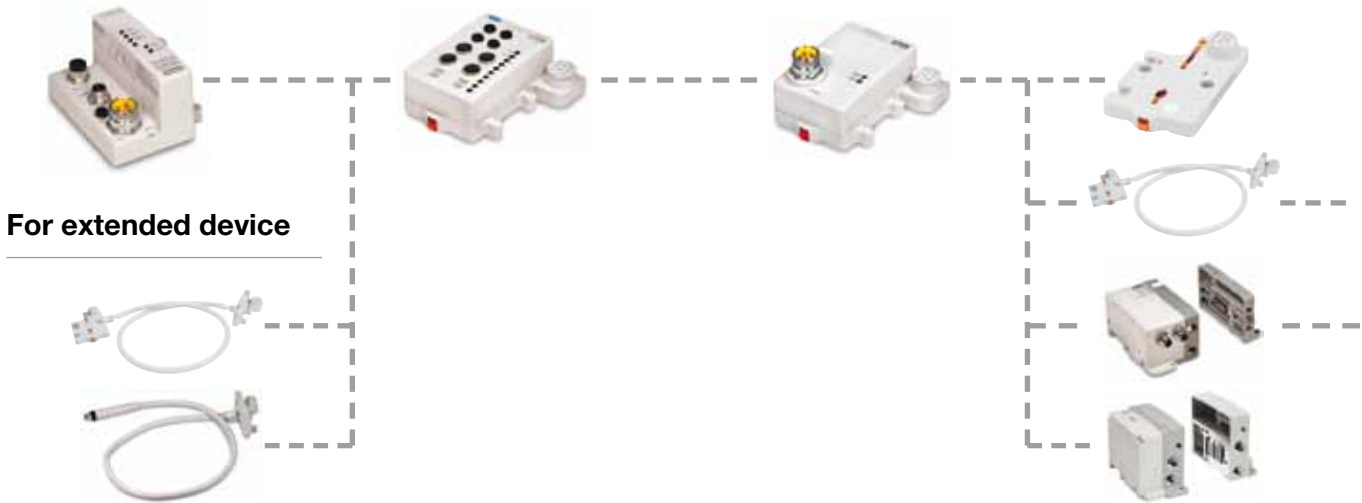
Isys ISO 15407-2 – HA & HB
Isys ISO 5599-2 – H1



Isysnet Device constitution overview for a Centralised application

For main device

For both main and extended devices



For extended device

Communication modules :

- Fieldbus or Industrial Ethernet protocol
- Network connection
- Separated 24VDC for logic and user power supply
- Configuration with coding wells and bus status display by LED

Bus extender cable :

- Cable linking extended device through the Sub-network
- Sub-network connection from Isysnet module or Isys Micro Valve driver
- Transferring both sub-network communication and 5VDC for bus power supply

I/O modules :

- Choice of Digital or Analogic I/O modules offering multiple industrial connection types
- Connection to the Sub-network and the separated 24VDC for both logic and user through the socket
- I/O and sub-network status display by LEDs

Power extender module :

- Additional separated 24VDC power supply for logic and user allowing multiple permanent or safety power supply recommendations
- Both Logic and User electrical power supply display by separated LEDs

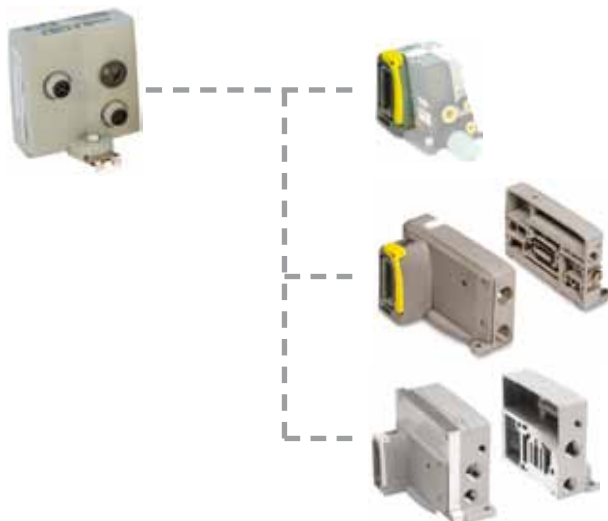
Isysnet end section :

- Specific socket or valve driver without extender bus connector for Isysnet end section

Isysnet prologation section :

- Specific socket with sub-network extender cable and extended device head plate
- Valve driver including extender bus connector for sub-network continuity

Moduflex constitution overview for a Decentralised application



Communication module :

- Fieldbus protocols
- Network connection
- Separated power supply for communication and solenoid valves
- Addressing and speed communication configuration by coding wells
- Bus status display by LED

Bus module adaptor :

Using the appropriate adaptor, the Moduflex Bus module can be assembled to :

- Moduflex Valve System
- Isys Micro
- Isys ISO 15407-2 – HA & HB
- Isys ISO 5599-2 – H1

Isysnet Industrial Communication modules



A choice of different protocols to connect the Isysnet device to the requested industrial network :

- DeviceNet
- Profibus DP
- ControlNet
- Ethernet I/P

Digital and Analogue Isysnet I/O modules :



Application always needs a wide sensor quantity, diversity and additional electric actuators as well, with an appropriate electrical connection.

With a modularity from 2 to 16 channels, the wide Isysnet range of digital or analogue inputs and outputs modules offers a choice of industrial connection :

- M8 -3 PINs
- M12 -5 PINs
- M23 - 12 PINs

Isysnet extension power supply module :



The auxiliary power from the communication module supports up to 10 I/O modules. Also, for application needing a huge I/O modules quantity, this 24VDC extension power module extends the backplane bus power to support up to 10 more I/O modules.

Also, when safety recommendations require multiple permanent and safety power supplies, this 24VDC extension power module avoids to get a separated power supply section in the Isysnet device.

Isysnet and Isys Micro bus extender cable



An Isysnet device can be split into the Isysnet section or, from an Isys Micro valve manifold to an extended Isysnet section. Both cables avoid the backplane Bus power and communication.

The Isysnet device has to be closed with a 32 output driver (internally ending the backplane bus) or using the Isysnet terminating base module

Isysnet 32 Outputs driver for valve islands in centralised applications

Isysnet 32 Outputs driver for Isys Micro Valve Islands



- Isys Micro valve nominal flow up to 280 NI/mn
- 32 outputs per module to handle up to 32 solenoids per valve island
- Up to 4 valve islands linked through the internal sub-network for a total of 128 solenoids per device
- With or without additional user power supply
- With or without bus extender

Isysnet 32 Outputs driver for Isys ISO Valve Islands



ISO 15407-2

ISO 5599-2

- ISO 15407-2 Size 02 (HB) 18 mm 380 NI/mn
- ISO 15407-2 Size 01 (HA) 26 mm 590 NI/mn
- ISO 5599-2 Size 1 (H1) 42 mm 1030 NI/mn
- 32 outputs per module to handle up to 32 solenoids per valve island.

Moduflex fieldbus modules for valve islands in decentralised applications

Moduflex fieldbus adaptor for Isys Micro and Isys ISO valve islands



Moduflex valve system

Isys Micro

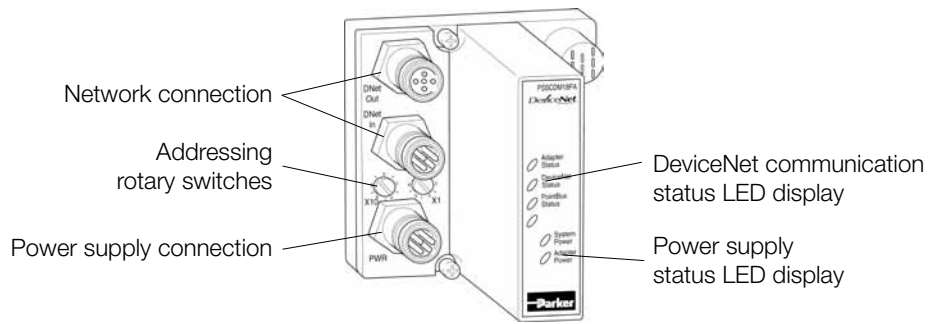
- Compatible with all Moduflex fieldbus protocol modules handling up to 16 solenoids:
 - DeviceNet
 - CANopen
 - Profibus DP
 - InterBus-S
 - AS-i standard and extended a-b coding versions.

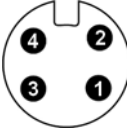

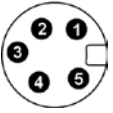
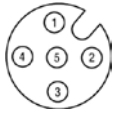
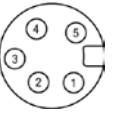


ISO 15407-2
HA - HB


ISO 5599-2
H1

DeviceNet communication module

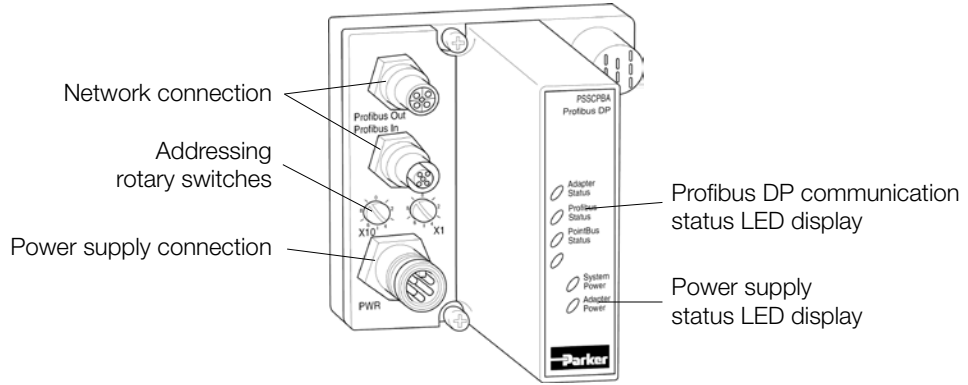


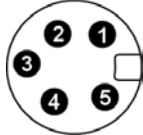
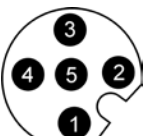
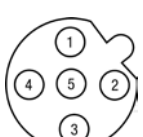
DeviceNet Adapters		
DeviceNet module order code	PSSCDM12A	PSSCDM18PA
Adapters connection		
Power supply connection	7/8" - 4 PINs - Male :  <ul style="list-style-type: none"> - PIN 1 : User power + - PIN 2 : Adapter power + - PIN 3 : Adapter power - - PIN 4 : User power - 	
Bus IN connection	M12 - 5 PINs - Male - A coding	M18 - 5 PINs - Male :
	  <ul style="list-style-type: none"> - PIN 1 : Drain - PIN 2 : DeviceNet V+ - PIN 3 : DeviceNet V- - PIN 4 : CAN High - PIN 5 : CAN Low 	
Bus OUT connection	M12 - 5 PINs - Female - A coding	M18 - 5 PINs - Female :
	  <ul style="list-style-type: none"> - PIN 1 : Drain - PIN 2 : V+ - PIN 3 : V- - PIN 4 : CAN High - PIN 5 : CAN Low 	
LED display	1 - Adapter status : green/red 2 - DeviceNet status : green/red 3 - Status : green/red 4 - System power (5V power) : green 5 - Adapter power (24V from field supply) : green	

DeviceNet communication module connection accessories

 P8CS1205BA	Description	Connector type	W (g)	Order code
	Power supply connector	7/8" - 4 PINs	40	P8CS7804AA
Bus IN connector	M12 female - A coding	25	P8CS1205AA	
Bus OUT connector	M12 male - A coding	25	P8CS1205BA	
Line terminaison	M12 male - A coding	25	P8BPA00MA	

Profibus DP communication module



Profibus DP Adapters	
Profibus DP module order code	PSSCPBA
Profibus DP adapters connection	
Power supply connection	7/8" - 5 PINs - Male :  <ul style="list-style-type: none"> - PIN 1 : User power - - PIN 2 : Adapter power - - PIN 3 : Protective GND - PIN 4 : Adapter power + - PIN 5 : User power +
BUS IN connection	M12 - 5 PINs - Male - B coding  <ul style="list-style-type: none"> - PIN 1 : + 5 VDC Bus - PIN 2 : A - Line - PIN 3 : GND Bus - PIN 4 : B - Line - PIN 5 : Shield
BUS OUT connection	M12 - 5 PINs - Female - B coding  <ul style="list-style-type: none"> - PIN 1 : + 5 VDC Bus - PIN 2 : A - Line - PIN 3 : GND Bus - PIN 4 : B - Line - PIN 5 : Shield
LED display	1 - Adapter status : green/red 2 - Profibus DP status : green/red 3 - Bus status : green/red 4 - System power (5V power) : green 5 - Adapter power (24V from field supply) : green

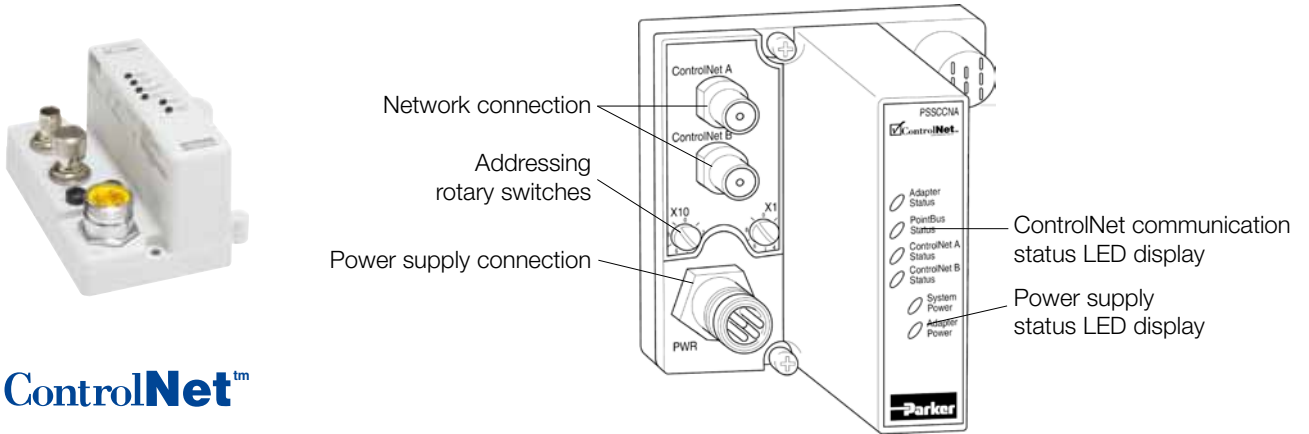
Profibus DP communication module connection accessories




P8CS1205BB

Description	Connector type	W (g)	Order code
Power supply connector	7/8" - 5 PINs	40	P8CS7805AA
Bus IN connector	M12 female - B coding	25	P8CS1205AB
Bus OUT connector	M12 male - B coding	25	P8CS1205BB
Line terminaison	M12 male - B coding	25	P8BPA00MB

ControlNet communication module



ControlNet™

ControlNet Adapters	
ControlNet module order code	PSSCCNA
ControlNet adapters connection	
Power supply connection	7/8" - 4 PINs - Male :  - PIN 1 : User power + - PIN 2 : Adapter power + - PIN 3 : Adapter power - - PIN 4 : User power -
ControlNet IN connection	TNC style connector
ControlNet OUT connection	TNC style connector
LED display	1 - Adapter status : green/red 2 - Bus status : green/red 3 - ControlNet A status : green/red 4 - ControlNet B status : green/red 5 - System power (Bus 5V power) : green 6 - Adapter power (24V from field supply) : green

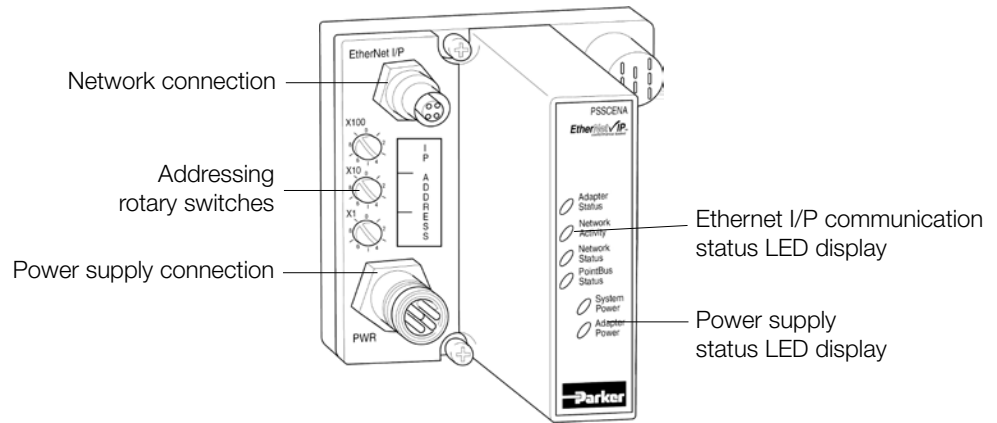
ControlNet communication module connection accessories





P8CS7804AA

Description	Connector type	W (g)	Order code
Power supply connector	7/8" - 4 PINs	40	P8CS7804AA

Ethernet I/P communication module



Ethernet I/P Adapters	
Ethernet I/P module order code	PSSCENA
Ethernet I/P adapters connection	
Power supply connection	7/8" - 4 PINs - Male :  <ul style="list-style-type: none"> - PIN 1 : User power + - PIN 2 : Adapter power + - PIN 3 : Adapter power - - PIN 4 : User power -
Ethernet I/P connection	M12 - 4 PINs - Female - D coding :  <ul style="list-style-type: none"> - PIN 1 : Tx + - PIN 2 : Rx + - PIN 3 : Tx - - PIN 4 : Rx -
LED display	1 - Adapter status : green/red 2 - Network activity : green 3 - Network status : green/red 4 - Bus status : green/red 5 - System power (Bus 5V power) : green 6 - Adapter power (24V from field supply) : green

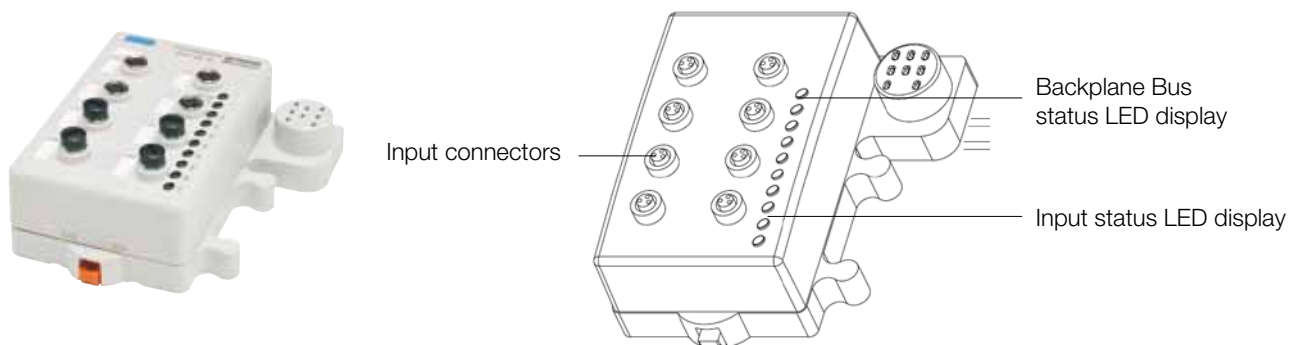
Ethernet I/P communication module connection accessories



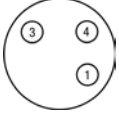
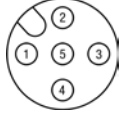


P8CS7804AA



Description	Connector type	W (g)	Order code
Power supply connector	7/8" - 4 PINs	40	P8CS7804AA

Isysnet Digital Input modules





Isysnet Digital DC Input modules				
Input module order code	PSSN8M8A	PSSP8M8A	PSSN8M12A	PSSP8M12A
				
Nb of Inputs	8	8	8	8
Nb of Input connectors	8 x M8	8 x M8	4 x M12	4 x M12
Input density / connector	1	1	2	2
Sensor polarity	PNP	NPN	PNP	NPN
Input module connection				
Input connector	M8 - 3 PINs - Female  - PIN 1 : + 24 VDC - PIN 3 : Common - PIN 4 : Input		M12 - 5 PINs - Female  - PIN 1 : + 24 VDC - PIN 2 : Odd input (1, 3, 5, 7) - PIN 3 : Common - PIN 4 : Even input (0, 2, 4, 6) - PIN 5 : n/a	
Input status LED display (Logic side)	8 x Yellow			
Backplane Bus status LED display (Logic side)	Network status : 1 x green / red Module status : 1 x green / red			

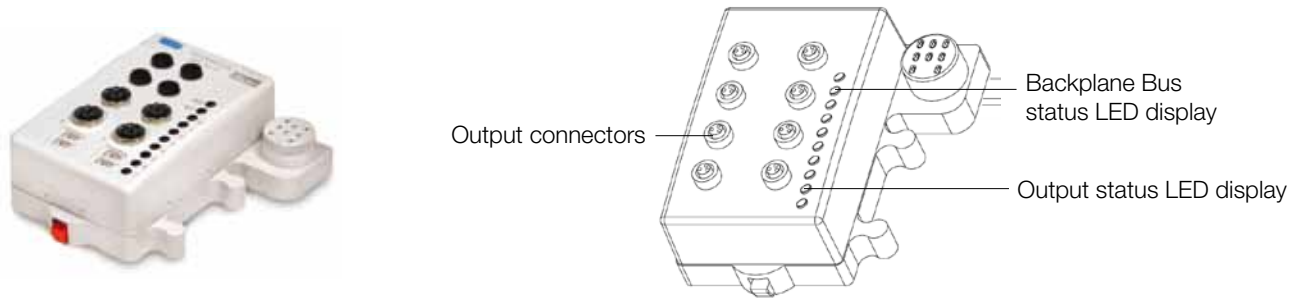
Isysnet Backplane Bus accessories

	Description	Cable length	W (g)	Order code
	Backplane Bus extender	1 meter	380	PSSEXT1
		3 meter	760	PSSEXT3
	Termination module		200	PSSTERM

Connectors for inputs

	Description	Connector type	W (g)	Order code
	Cable quick connect connector	M8 male	25	P8CS0803J
		M12 male - A coding	25	P8CS1204J
	Y shape	M12 male - 2 x M12 female	25	P8CSY1212A

Isysnet Digital Output modules



Isysnet Digital DC Output modules				
Output module order code	PSST8M8A	PSST8M12A	PSST8M23A	PSSTR4M12A
Nb of Outputs	8	8	8	4
Nb of Output connectors	8 x M8	4 x M12	1 x M23	4 x M12
Output density / connector	1	2	8	1
Output module connection				
Output connector	M8 - 3 PINs Female - PIN 1 : +24 VDC - PIN 3 : Common - PIN 4 : Outputs (0 to 7)	M12 - 5 PINs Female - PIN 1 : +24 VDC - PIN 2 : Odd output (1, 3, 5, 7) - PIN 3 : Common - PIN 4 : Even output (0, 2, 4, 6) - PIN 5 : n/a	M23 - 12 PINs Female - PIN 1 : Output 0 - PIN 2 : Output 1 - PIN 3 : Output 2 - PIN 4 : Output 3 - PIN 5 : Output 4 - PIN 6 : Output 5 - PIN 7 : Output 6 - PIN 8 : Output 7 - PIN 9 : Return (common) - PIN 10 : Return (common) - PIN 11 : +24 VDC - PIN 12 : Chassis	M12 - 5 PINs Female - PIN 1 : +24 VDC - PIN 2 : Odd outputs - PIN 3 : Common - PIN 4 : Even outputs - PIN 5 : n/a
Output status LED display (Logic side)	8 x Yellow / Red			4 x Yellow / Red
Backplane Bus status LED display (Logic side)	Network status : 1 x green / red Module status : 1 x green / red			

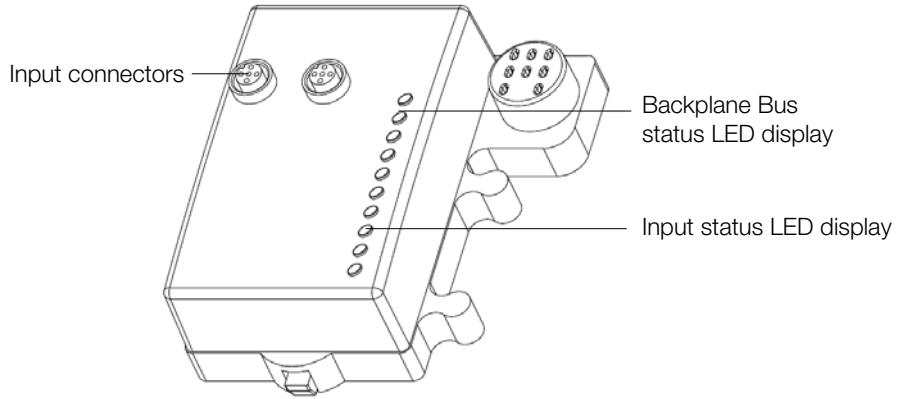
Isysnet Backplane Bus accessories

	Description	Connector type	W (g)	Order code
	Backplane Bus extender	1 meter	380	PSSEXT1
		3 meter	760	PSSEXT3
	Terminaison module		200	PSSTERM

Connectors for Outputs

	Description	Connector type	W (g)	Order code
	Cable quick connect connector	M8 male	25	P8CS0803J
		M12 male - A coding	25	P8CS1204J
	Y shape	M12 male - 2 x M12 female	25	P8CSY1212A

Isysnet Analogue Input modules



Isysnet Analogue Input modules		
Input module order code	PSSNAVM12A	PSSNACM12A
Nb of Inputs	2	2
Nb of Input connectors	2 x M12	2 x M12
Input density / connector	1	1
Input signal	0 - 10 V	4 - 20 mA

Analogue Input module connection	
Input connector	<p>M12 - 5 PINs - Female</p> <ul style="list-style-type: none"> - PIN 1 : +24 VDC - PIN 2 : Inputs - PIN 3 : Common - PIN 4 : Common - PIN 5 : n/a
Input status LED display (Logic side)	2 x green / red
Backplane Bus status LED display (Logic side)	Module status : 1 x green / red Network status : 1 x green / red

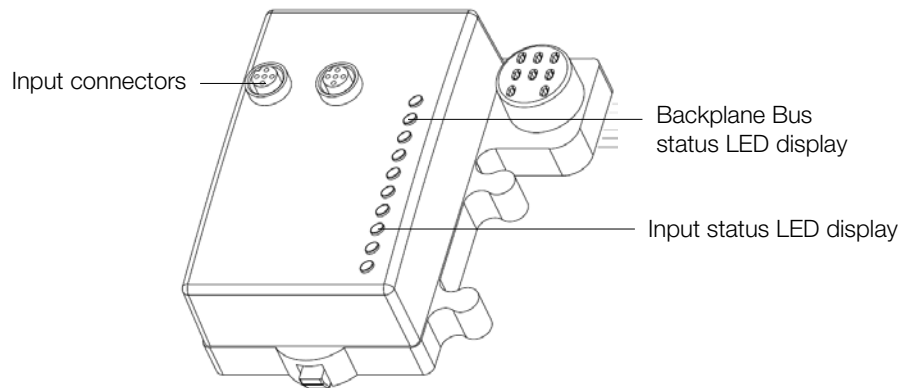
Isysnet Backplane Bus accessories

	Description	Cable length	W (g)	Order code
	Backplane Bus extender	1 meter	380	PSSEXT1
		3 meter	760	PSSEXT3
	Termination module		200	PSSTERM

Connectors for inputs

	Description	Connector type	W (g)	Order code
	Straight connector	M12 male - A coding	25	P8CS1205BA

Isysnet Analogue Output modules



Isysnet Analogue Output modules		
Output module order code	PSSTAVM12A	PSSTACM12A
Nb of Outputs	2	2
Nb of Output connectors	2 x M12	2 x M12
Output density / connector	1	1
Output signal	0 - 10 V	4 - 20 mA
Analogue Output module connection		
Output connector	M12 - 5 PINs - Female - PIN 1 : Outputs - PIN 2 : +24 VDC - PIN 3 : Common - PIN 4 : Common - PIN 5 : n/a	
Output status LED display (Logic side)	2 x green / red	
Backplane Bus status LED display (Logic side)	Module status : 1 x green / red Network status : 1 x green / red	

Isysnet Backplane Bus accessories



Description	Cable length	W (g)	Order code
Backplane Bus extender	1 meter	380	PSSEXT1
	3 meter	760	PSSEXT3



Termination module		200	PSSTERM
--------------------	--	-----	----------------

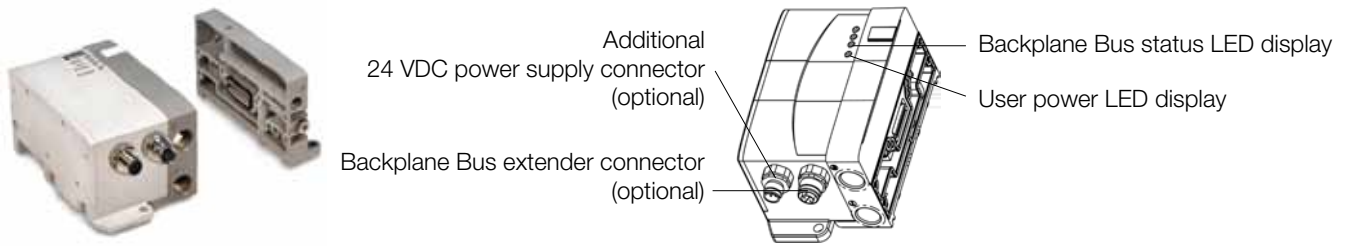
Connectors for Outputs



P8CS1205BA

Description	Connector type	W (g)	Order code
Straight connector	M12 male - A coding	25	P8CS1205BA

Isysnet 32 Output drivers



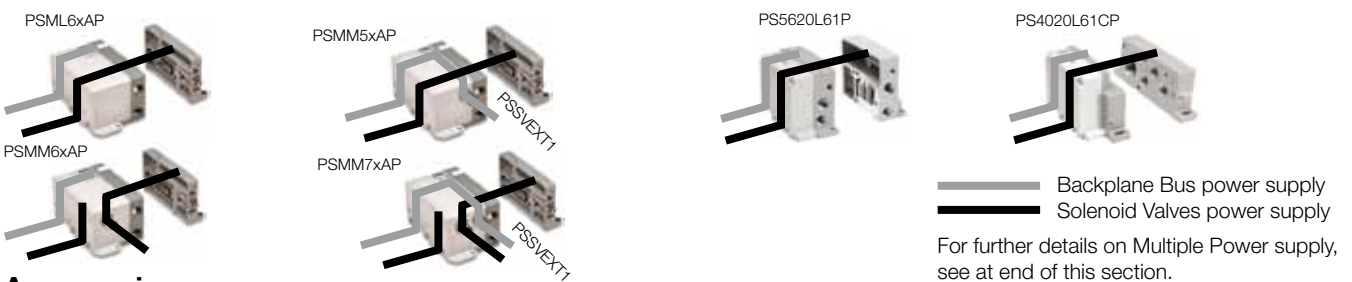
Dedicated valve range		Isys Micro				Isys ISO 15407-2	Isys ISO 5599-2
32 Output driver modules order code	Side ported	PSML61AP	PSMM61AP	PSMM71AP	PSMM51AP	PS5620L61P	PS4020L61CP
	Bottom ported	PSML62AP	PSMM62AP	PSMM72AP	PSMM52AP		
Pneumatic port sizes		Power supply				G3/8"	
		Exhaust				G3/8"	
Pneumatic pilot port sizes		Power supply				Internal	
		Exhaust				Internal	

32 Output driver module connection						
24 VDC power supply connector	NO	YES	YES	NO	NO	NO
	 M12 - 5 PINs - Male - PIN 1 : +24 VDC - PIN 2 : n/a - PIN 3 : Common - PIN 4 : n/a - PIN 5 : Protective Earth					
Backplane Bus Extender connector	NO	NO	YES	YES	NO	NO
	 M12 - 5 PINs - Female To use with PSSVEXT1 - PIN 1 : CAN SHLD - PIN 2 : CAN V+ - PIN 3 : CAN GND - PIN 4 : CAN High - PIN 5 : CAN Low					
Backplane Bus status LED display (Logic side)	Backplane Bus power supply : 1 x green / red Backplane Bus status : 1 x green / red Output fault : 1 x red Valve power supply : 1 x green				Module status : 1 x green / red Backplane Bus status : 1 x green/red Output fault : 1 x yellow / red	

Backplane Bus and Solenoid Valves Power Supply Sourcing :

Isys Micro 32 output driver modules

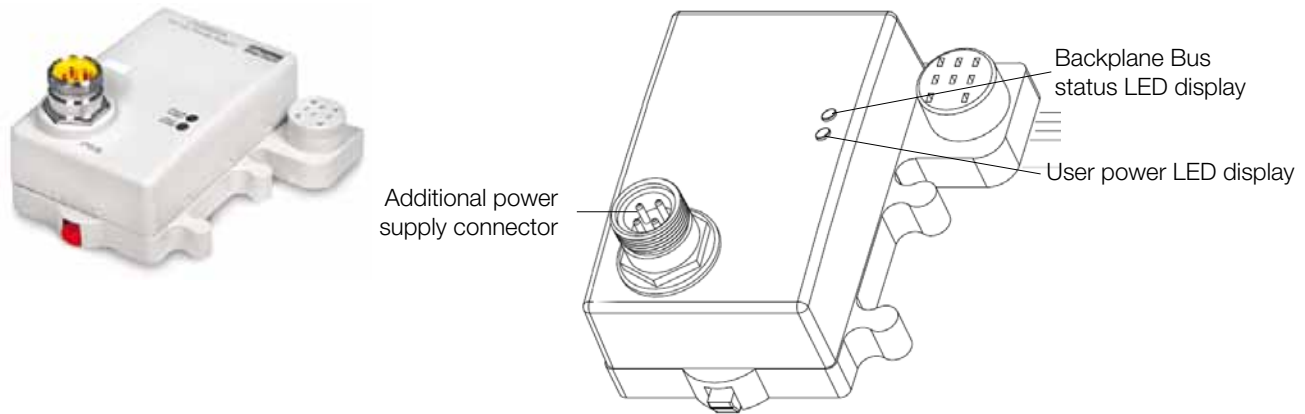
Isys ISO 32 output driver modules



Accessories

	Description	Connector type	W (g)	Order code
	Backplane Bus extension cable with 1 meter cable	M12 male - A coding Head plate	380	PSSVEXT1
	Connector for 24 VDC power supply connector	M12 Female - A coding	25	P8CS1205AA
	Line termination	M12 Male - A coding	25	P8BPA00MA

Isysnet Power Extender module



Backplane Bus Extension Power Supply module	
Power Supply Extender module Order Code	PSSE24A
Extender module connection	
Power supply connection	<p>7/8" - 4 PINs - Male</p> <div style="display: flex; align-items: center;"> <ul style="list-style-type: none"> - PIN 1 : User power + - PIN 2 : Backplane bus power + - PIN 3 : Backplane bus power + - PIN 4 : User power - </div>
Status LED display (Logic side)	<p>Field power status : 1 x green 5 VDC system power status : 1 x green</p>

Isysnet Backplane Bus connector



P8CS7804AA

Description	Connector type	W (g)	Order code
power supply connector	7/8" - 4 PINs	40	P8CS7804AA

Isysnet Backplane Bus accessories

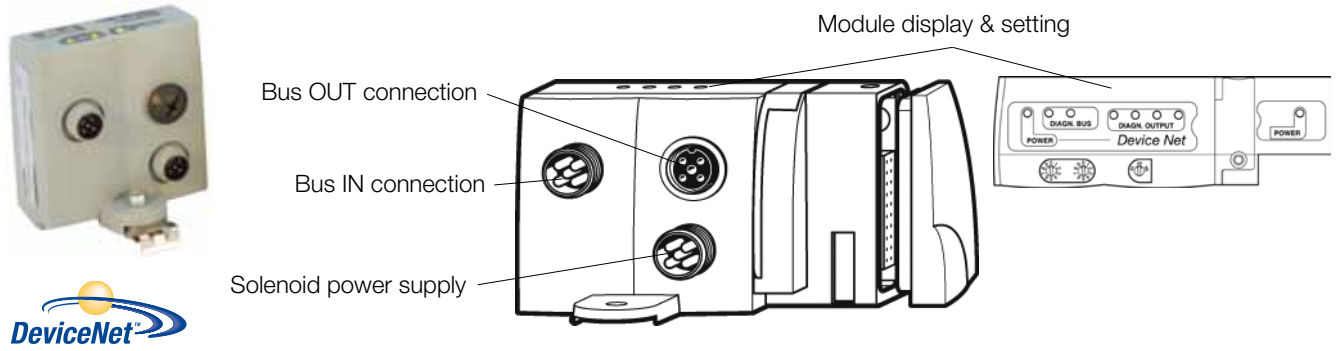


Description	Cable length	W (g)	Order code
Backplane Bus extender from Isysnet module	1 meter	380	PSSEXT1
	3 meter	760	PSSEXT3



Backplane Bus extension cable from 32 outputs driver	1 meter	380	PSSVEXT1
--	---------	-----	-----------------

DeviceNet 16 outputs communication module



DeviceNet Adapters		Moduflex Valve System		Isys Micro
Dedicated valve range				
DeviceNet module Order Code	P2M2HBVD11600	P2M2HBVD21600	Side ported : PSMMD1AP Bottom ported : PSMMD2AP	
Adapter connection				
Power supply connection	<ul style="list-style-type: none"> M12 - 5 PINs - Male - B coding - PIN 1 : n/a - PIN 2 : n/a - PIN 3 : 0 VDC Solenoids - PIN 4 : 24 VDC Solenoids - PIN 5 : Protected earth (PE) 	<ul style="list-style-type: none"> M12 - 5 PINs - Male - A coding - PIN 1 : n/a - PIN 2 : n/a - PIN 3 : 0 VDC Solenoids - PIN 4 : 24 VDC Solenoids - PIN 5 : Protected earth (PE) 		
Bus IN connection	<ul style="list-style-type: none"> M12 - 5 PINs - Male - A coding - PIN 1 : Drain - PIN 2 : CAN V+ - PIN 3 : CAN V- - PIN 4 : CAN High - PIN 5 : CAN Low 			
Bus OUT connection	<ul style="list-style-type: none"> M12 - 5 PINs - Female - A coding - PIN 1 : Drain - PIN 2 : CAN V+ - PIN 3 : CAN V- - PIN 4 : CAN High - PIN 5 : CAN Low 			
LED Display	Adapter power : 1 x green DeviceNet status : 2 x green/red Solenoid pilots power : 1 x green/red Solenoid pilots diagnostic : 4 x red			

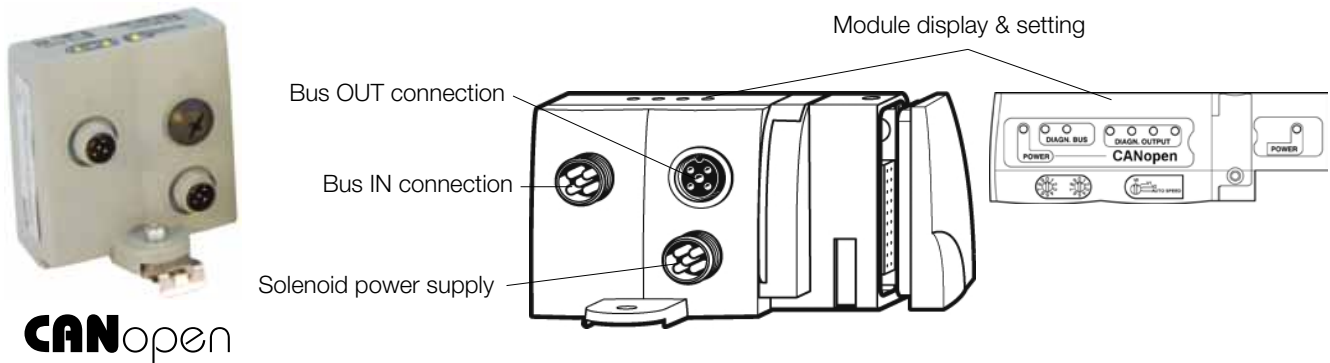
Valve range adapters

Description	Valve range	W (g)	Order code	
 Moduflex Bus adapter without communication module	Moduflex Valve	30	P2M2HEV0B	
	Isys Micro	Side ported	200	PSMM41AP
		Bottom ported	200	PSMM42AP
	Isys ISO 15407-2 - HA - HB	200	PS5620M41P	
	Isys ISO 5599-2 - H1	300	PS4020M41CP	

DeviceNet communication module connection accessories

Description	Connection type	W (g)	Order code
 Power supply connector	M12 Female - A coding	40	P8CS1205AA
	M12 Female - B coding	40	P8CS1205AB
Bus IN connector	M12 Female - A coding	25	P8CS1205AA
Bus OUT connector	M12 Male - A coding	25	P8CS1205BA
Line terminaison	M12 Male - A coding	25	P8BPA00MA

CANopen 16 outputs communication module



CANopen Adapters	Moduflex Valve System		Isys Micro
Dedicated valve range			
CANopen module Order Code	P2M2HBVC11600	P2M2HBVC21600	Side ported : PSMC1AP Bottom ported : PSMC2AP

Adapter connection			
Power supply connection	<p>M12 - 5 PINs - Male - B coding - PIN 1 : n/a - PIN 2 : n/a - PIN 3 : 0 VDC Solenoids - PIN 4 : 24 VDC Solenoids - PIN 5 : Protected earth (PE)</p>	<p>M12 - 5 PINs - Male - A coding - PIN 1 : n/a - PIN 2 : n/a - PIN 3 : 0 VDC Solenoids - PIN 4 : 24 VDC Solenoids - PIN 5 : Protected earth (PE)</p>	
Bus IN connection	<p>M12 - 5 PINs - Male - A coding - PIN 1 : Drain - PIN 2 : CAN V+ - PIN 3 : CAN V- - PIN 4 : CAN High - PIN 5 : CAN Low</p>		
Bus OUT connection	<p>M12 - 5 PINs - Female - A coding - PIN 1 : Drain - PIN 2 : CAN V+ - PIN 3 : CAN V- - PIN 4 : CAN High - PIN 5 : CAN Low</p>		
LED Display	Adapter power : 1 x green CANopen status : 2 x green/red Solenoid pilots power : 1 x green/red Solenoid pilots diagnostic : 4 x red		

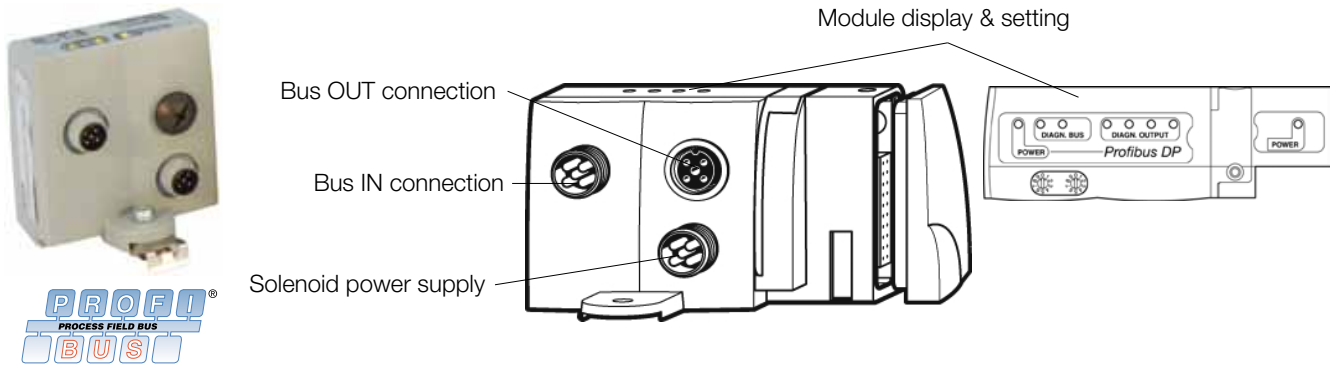
Valve range adapters





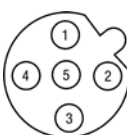
Description	Valve range	W (g)	Order code	
<p>PSMM41AP</p>	Moduflex Valve	30	P2M2HEV0B	
	Isys Micro	Side ported	200	PSMM41AP
		Bottom ported	200	PSMM42AP
	Isys ISO 15407-2 - HA - HB	200	PS5620M41P	
	Isys ISO 5599-2 - H1	300	PS4020M41CP	

CANopen communication module connection accessories


Description	Connection type	W (g)	Order code
<p>P8CS1205BA</p>	M12 Female - A coding	40	P8CS1205AA
	M12 Female - B coding	40	P8CS1205AB
	Bus IN connector	25	P8CS1205AA
	Bus OUT connector	25	P8CS1205BA
	Line terminaison	25	P8BPA00MA

Profibus DP 16 outputs communication module




Profibus DP Adapters		
Dedicated valve range	Moduflex Valve System	Isys Micro
Profibus DP module Order Code	P2M2HBVP21600	Side ported : PSMMP1AP Bottom ported : PSMMP2AP
		
Adapter connection		
Power supply connection		M12 - 5 PINs - Male - A coding - PIN 1 : +24 VDC adapter - PIN 2 : n/a - PIN 3 : 0 VDC Adapter & Solenoids - PIN 4 : 24 VDC Solenoids - PIN 5 : Protected earth (PE)
Bus IN connection		M12 - 5 PINs - Male - B coding - PIN 1 : + 5 VDC Bus - PIN 2 : A - Line - PIN 3 : GND Bus - PIN 4 : B - Line - PIN 5 : Shield
Bus OUT connection		M12 - 5 PINs - Female - B coding - PIN 1 : + 5 VDC Bus - PIN 2 : A - Line - PIN 3 : GND Bus - PIN 4 : B - Line - PIN 5 : Shield
LED Display	Adapter power : 1 x green Profibus DP status : 2 x green/red Solenoid pilots power : 1 x green/red Solenoid pilots diagnostic : 4 x red	

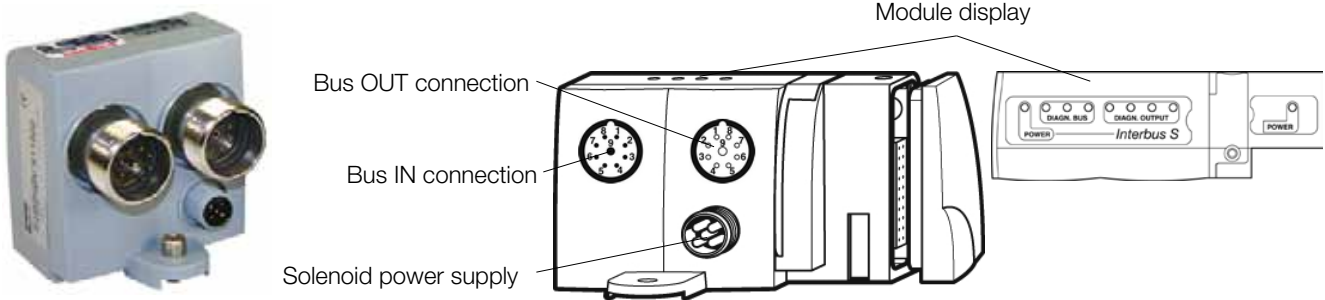
Valve range adapters

Description	Valve range	W (g)	Order code	
 PSMM41AP	Moduflex Valve	30	P2M2HEV0B	
	Isys Micro	Side ported	200	PSMM41AP
		Bottom ported	200	PSMM42AP
	Isys ISO 15407-2 - HA - HB	200	PS5620M41P	
	Isys ISO 5599-2 - H1	300	PS4020M41CP	

Profibus DP communication module connection accessories

Description	Connection type	W (g)	Order code
 P8CS1205BB	M12 Female - A coding	40	P8CS1205AA
	M12 Female - B coding	25	P8CS1205AB
	M12 Male - B coding	25	P8CS1205BB
	M12 Male - B coding	25	P8BPA00MB

InterBus-S 16 outputs communication module



INTERBUS-S

InterBus-S Adapters	
Dedicated valve range	Moduflex Valve System
InterBus-S module Order Code	P2M2HBVS11600
Adapter connection	
Power supply connection	<ul style="list-style-type: none"> M12 - 5 PINs - Male - A coding - PIN 1 : +24 VDC adapter - PIN 2 : n/a - PIN 3 : 0 VDC Adapter & Solenoids - PIN 4 : 24 VDC Solenoids - PIN 5 : Protected earth (PE)
Bus IN connection	<ul style="list-style-type: none"> M23 - 9 PINs - Male: - PIN 1 : <u>DO</u> - PIN 2 : <u>DO</u> - PIN 3 : <u>DI</u> - PIN 4 : <u>DI</u> - PIN 5 : Ground - PIN 6 : n/a - PIN 7 : n/a - PIN 8 : n/a - PIN 9 : n/a
Bus OUT connection	<ul style="list-style-type: none"> M23 - 9 PINs - Female: - PIN 1 : <u>DO</u> - PIN 2 : <u>DO</u> - PIN 3 : <u>DI</u> - PIN 4 : <u>DI</u> - PIN 5 : Ground - PIN 6 : n/a - PIN 7 : n/a - PIN 8 : n/a - PIN 9 : RBST
LED Display	Adapter power : 1 x green InterBus S status : 3 x green/red Solenoid pilots power : 1 x green/red Solenoid pilots diagnostic : 4 x red

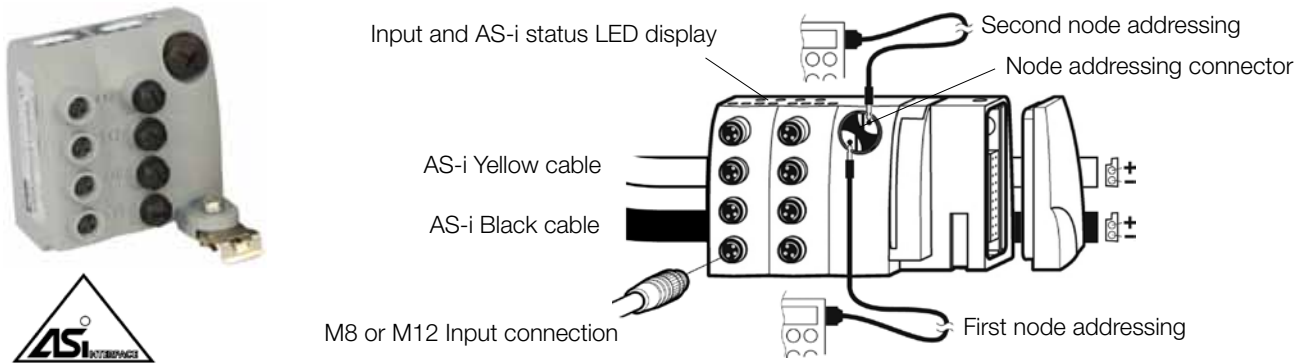
Valve range adapters

	Description	Valve range	W (g)	Order code	
P8MM41AP	Moduflex Bus adapter	Moduflex Valve	30	P2M2HEV0B	
	without communication module	Isys Micro	Side ported	200	PSMM41AP
			Bottom ported	200	PSMM42AP
		Isys ISO 15407-2 - HA - HB	200	PS5620M41P	
	Isys ISO 5599-2 - H1	300	PS4020M41CP		

InterBus-S communication module connection accessories

	Description	Connection type	W (g)	Order code
P8CS1205AA	Power supply connector	M12 Female - A coding	40	P8CS1205AA

AS-interface communication module



AS-i Adapters									
AS-i module Order Code	P2M2HBVA10400	P2M2HBVA10800	P2M2HBVA20600	P2M2HBVA10808A	P2M2HBVA20608A	P2M2HBVA10404B	P2M2HBVA10808B	P2M2HBVA20608B	
AS-i Version	V2.0	V2.0	V2.1	V2.0	V2.1	V2.0	V2.0	V2.1	
Number of addresses	1 / 31	2 / 31	2 / 31a + 31b	2 / 31	2 / 31a + 31b	1 / 31	2 / 31	2 / 31a + 31b	
Nb of outputs for sol. valves	4	8	6	8	6	4	8	6	
Nb of Inputs	-			8	8	4	8	8	
Nb of Input connectors	-			8 x M8	8 x M8	4 x M12	4 x M12	4 x M12	
Input density / connector	-			1	1	1	2	2	
Adapter connection									
Yellow cable	Bus signal Bus module and sensors power supply								
Black cable	24 VDC outputs for solenoid valves								
INPUTS connection				<p>M8 - 3 PINs - Female:</p> <ul style="list-style-type: none"> - PIN 1 : +24 VDC - PIN 3 : Common - PIN 4 : Input 	<p>M12 - 5 PINs - Female:</p> <ul style="list-style-type: none"> - PIN 1 : +24 VDC - PIN 2* : Odd Input - PIN 3 : Common - PIN 4 : Even Input - PIN 5 : n/a <p>*on left connectors only</p>				
LED Display	Node status : 2 x green/red per node Input status : 4 x yellow per node Valve power (24V from field supply) : 1 x green / red								

Valve range adapters

Description	Valve range	W (g)	Order code	
<p>P8MM41AP</p>	Moduflex Valve	30	P2M2HEV0B	
	Isys Micro	Side ported	200	PSMM41AP
		Bottom ported	200	PSMM42AP
	Isys ISO 15407-2 - HA - HB	200	PS5620M41P	
	Isys ISO 5599-2 - H1	300	PS4020M41CP	

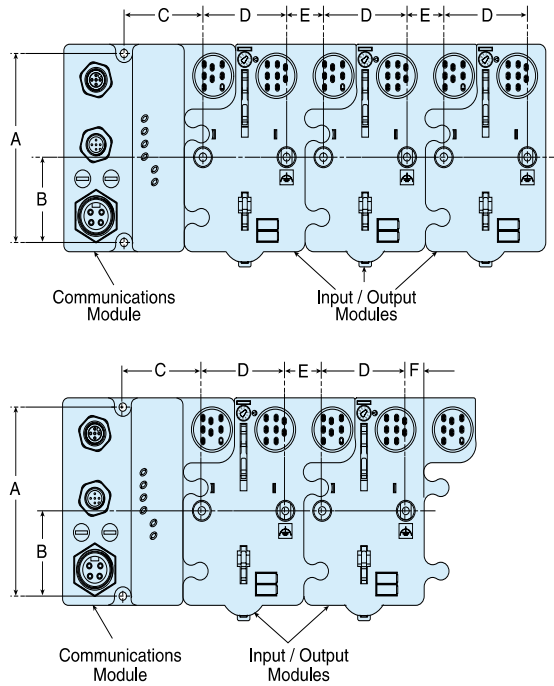
Connectors for Inputs

Description	Connection type	W (g)	Order code
<p>P8CS0803J</p> <p>P8CSY1212A</p>	M8 Male	25	P8CS0803J
	M12 Male - A coding	25	P8CS1204J
"Y" shape	M12 Male - 2 x M12 Female	25	P8CSY1212A
Addressing cable	M12 Male - Jack	100	P8LS12JACK

Isysnet modules

Dimensions

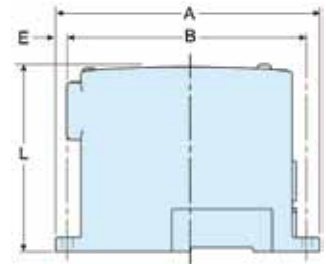
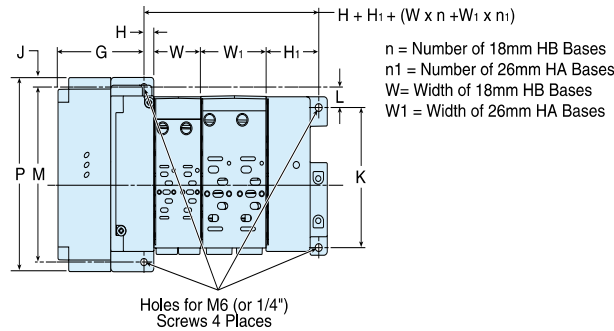
A	B	C
102	46	48
D	E	F
51	22	11



Isysnet with Isys ISO Valves

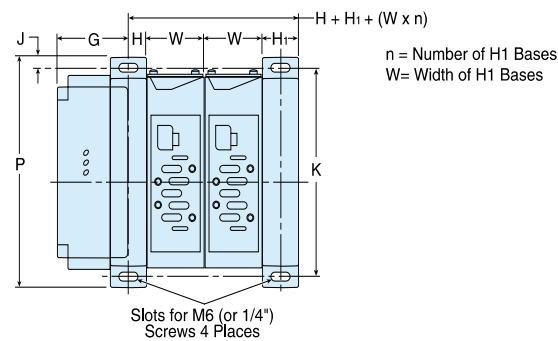
**HB-HA
 Dimensions**

A	B	E	L	G
152	137	7,5	106	68
H	H₁	J	K	L
8,4	45,8	4	110	16
M	P	W	W₁	
137	152	40,8	56,8	



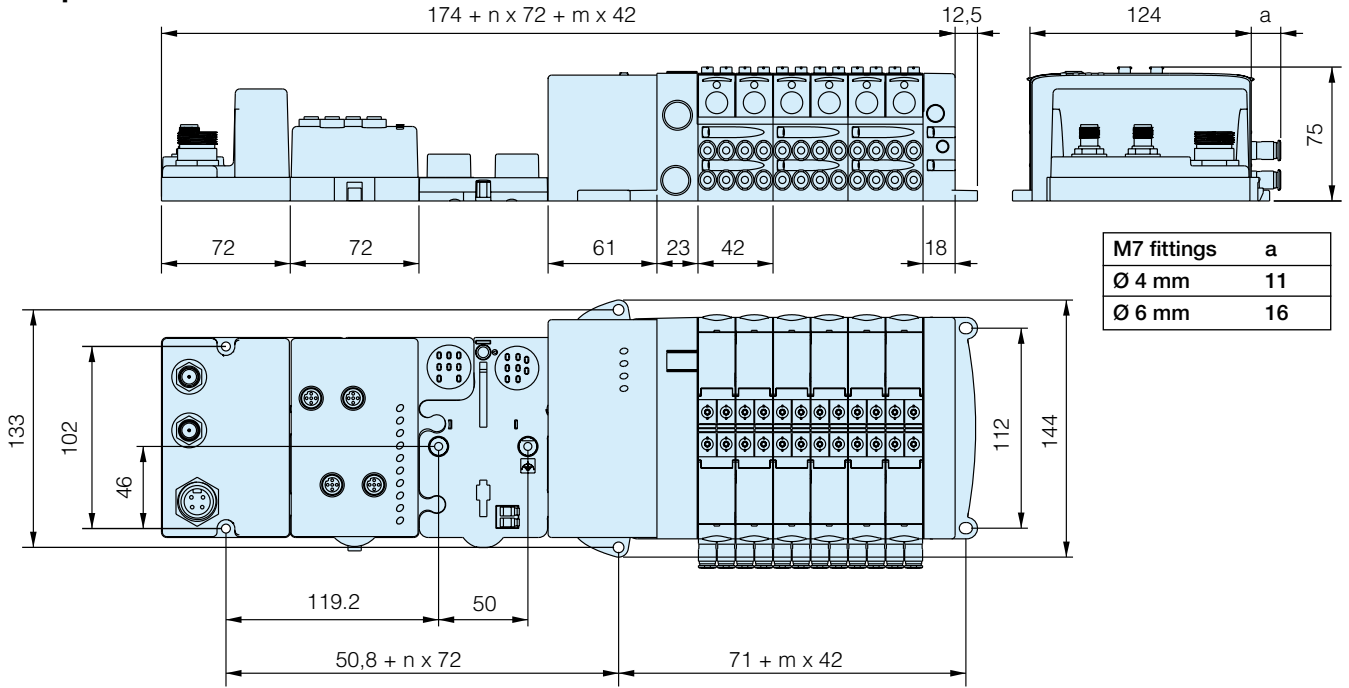
**H1
 Dimensions**

G	H	H₁	J	K
56	15,9	15,9	8,5	165
P	W			
182	49			

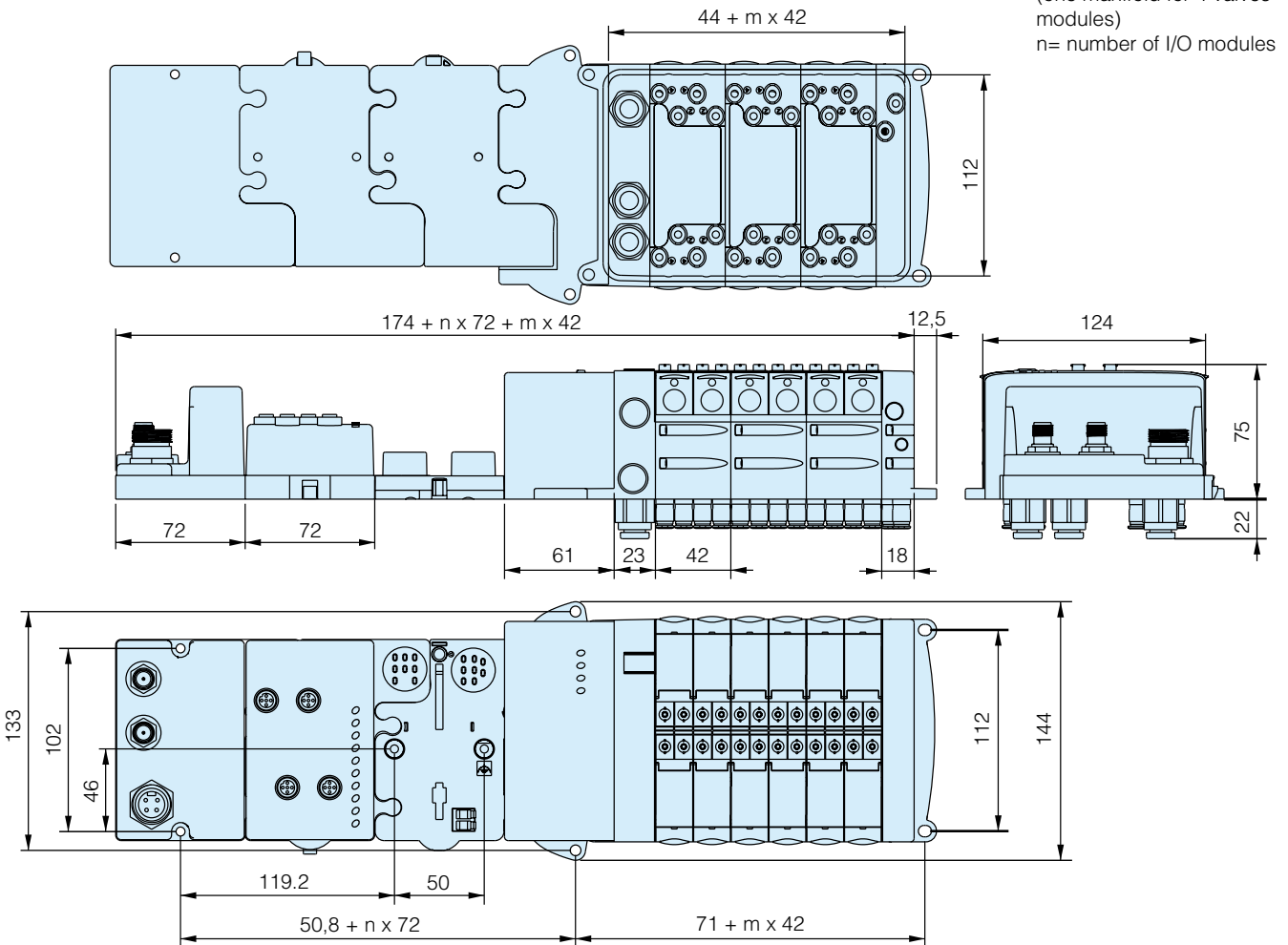


Isysnet with Isys Micro Valves

Side ported

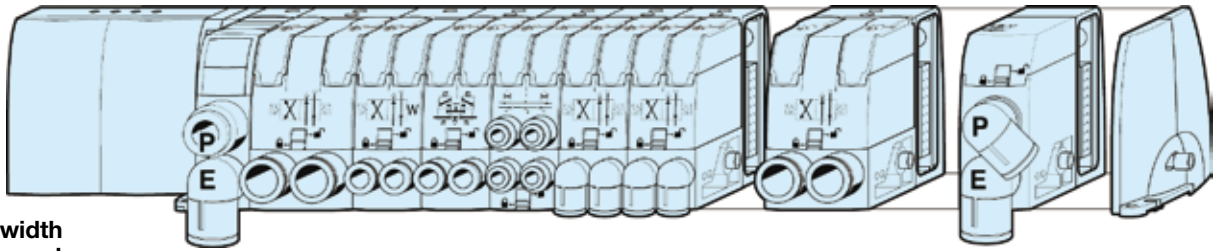


Bottom ported

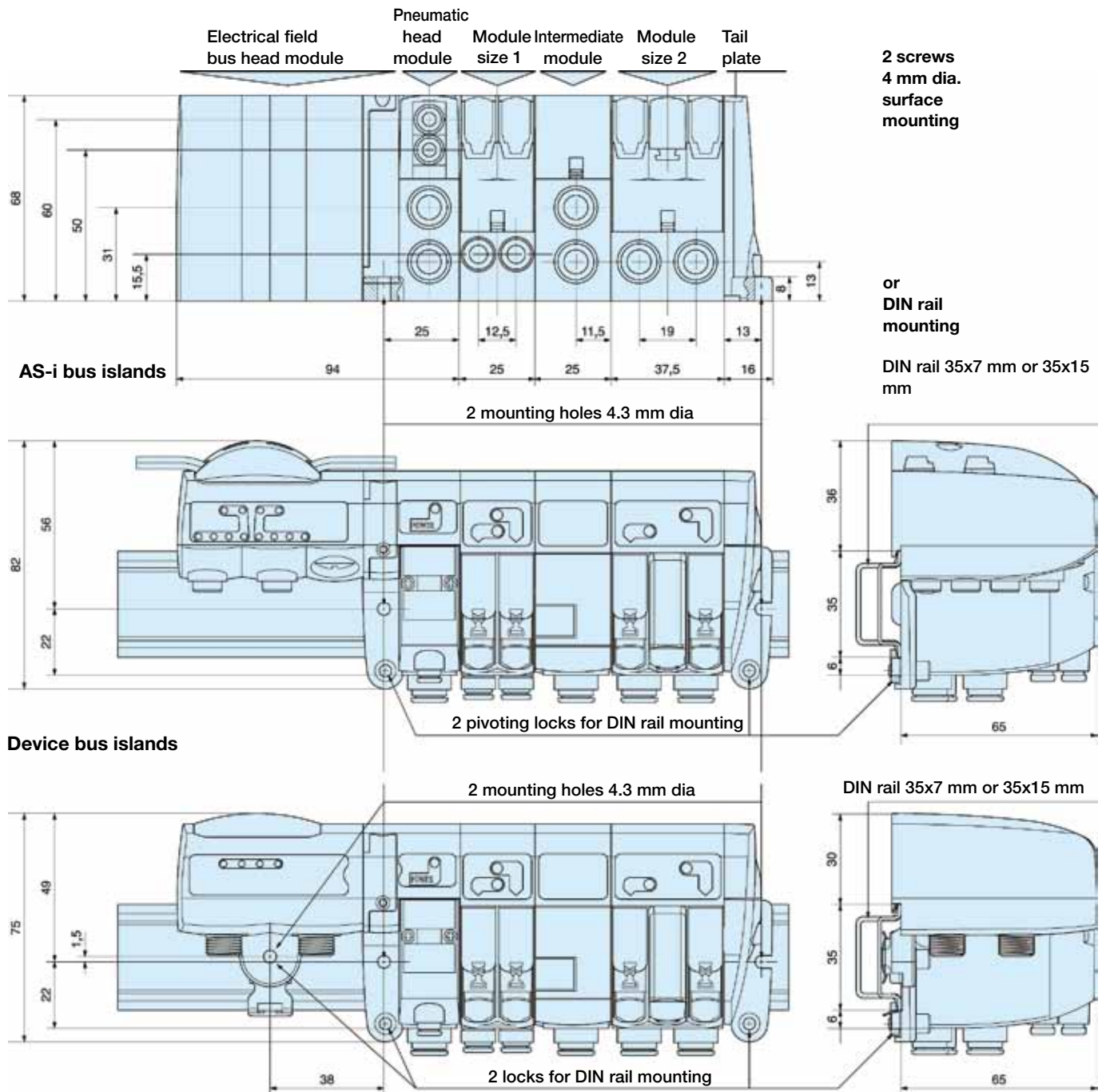


Moduflex Bus with Moduflex Valve

Electrical field bus head module width : 62 mm	Head and tail pneumatic module set width : 48 mm	Modules size 1 width : 25 mm	Modules size 2 width : 37.5 mm	Intermediate module width : 25 mm
---	---	---------------------------------	-----------------------------------	--------------------------------------

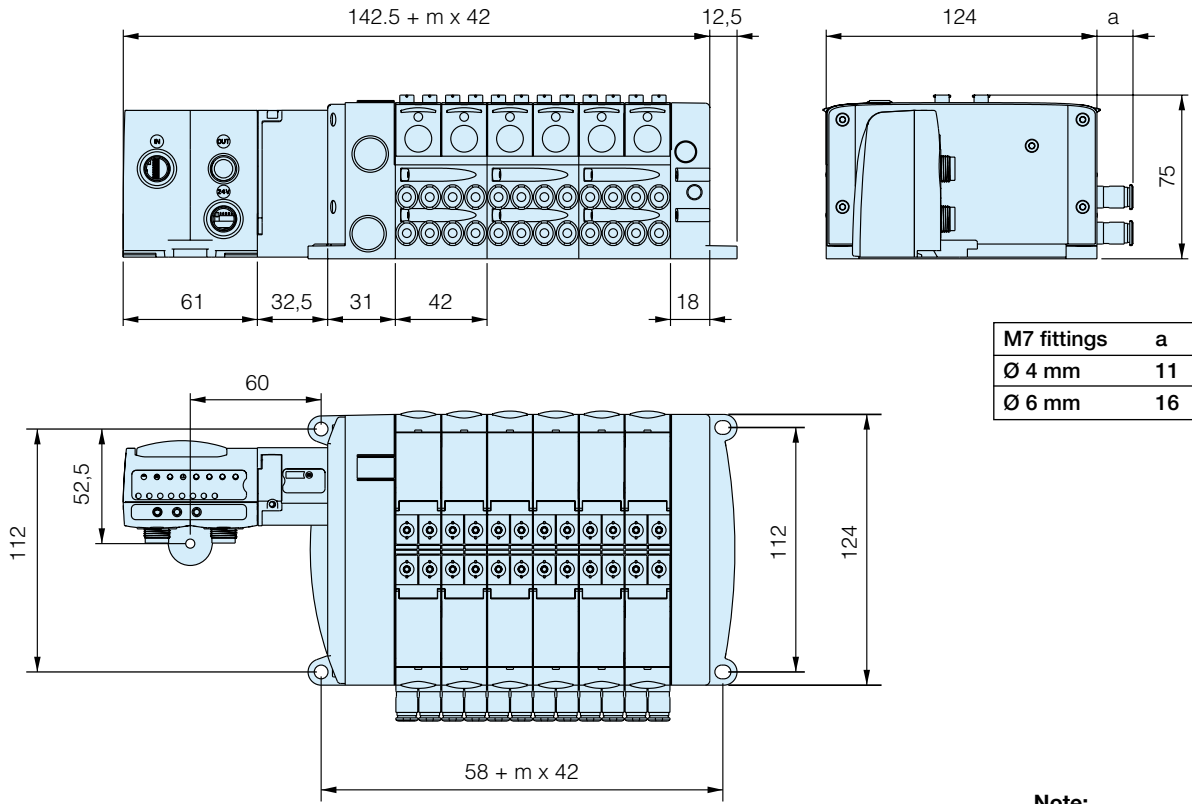


Island total width depending on valve composition



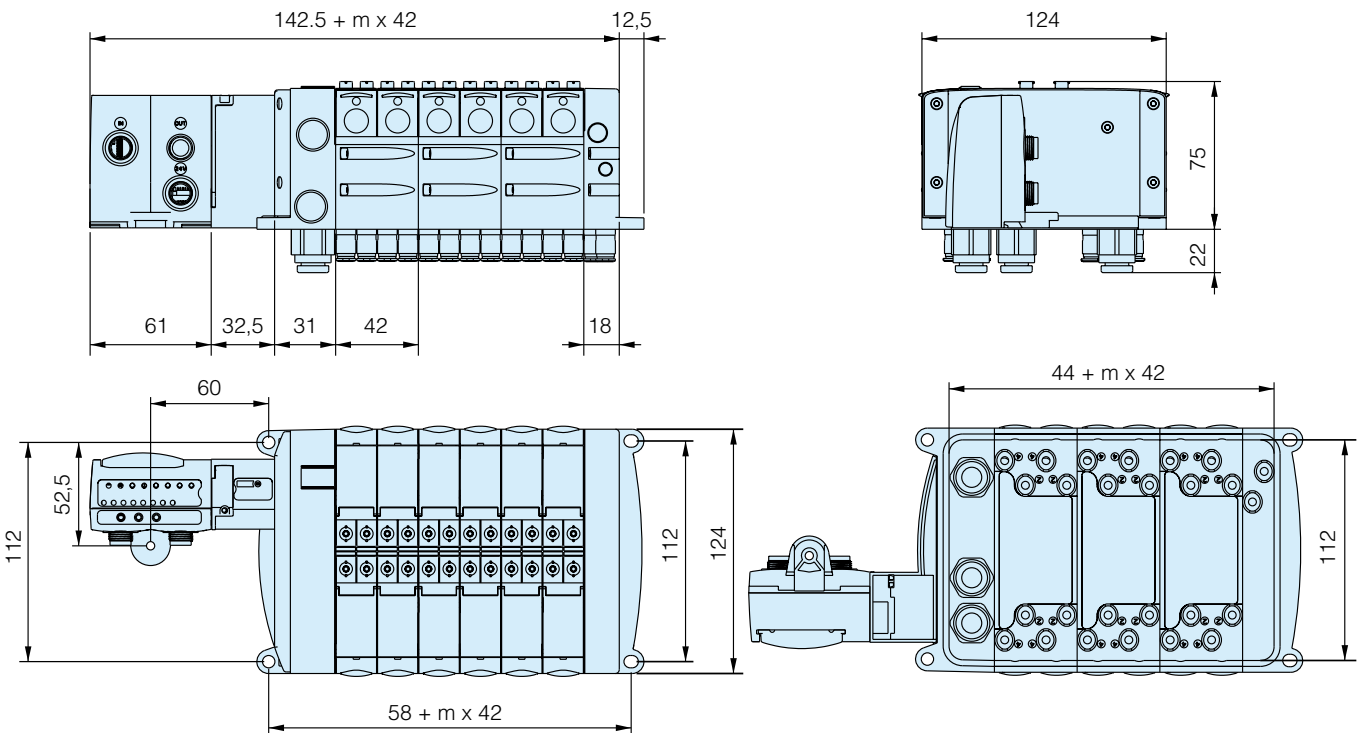
Moduflex Bus with Isys Micro Valves

Side ported



Note:
 m = number of manifolds
 (one manifold for 4 valves
 modules)

Bottom ported



Air Saver Unit ASC/ASV Series

An easy solution to your environmental protection efforts!
The air saving unit contributes to power savings and CO2 reduction.

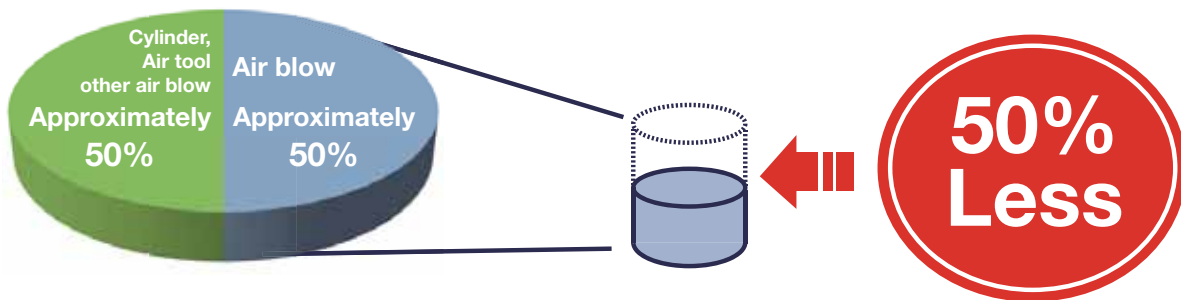


VMS2408



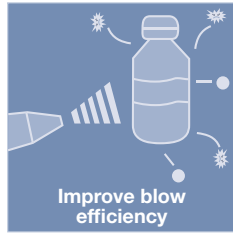
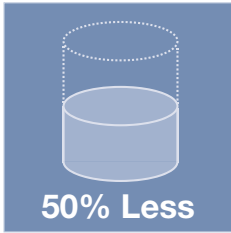
ASV5000

The air Saver Unit can reduce air consumption by up to 50% and improves blow efficiency in air blow applications.



Savings example (Using 100 ASC500, Unit 8 hours/day and 20 days)

Power Consumption	53,600kW / month	➡	26,800kW / month
CO₂ discharge	17 t	➡	8.5 t
Cost	EUR 7,000 / month	➡	EUR 3,500 / month



ASV200

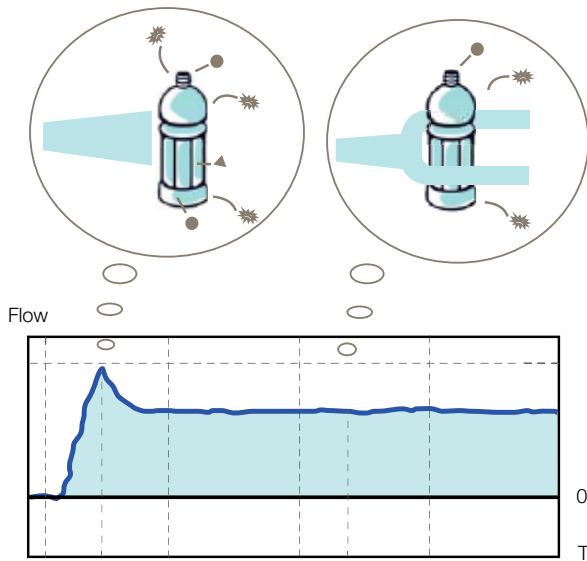


ASC/ASO500

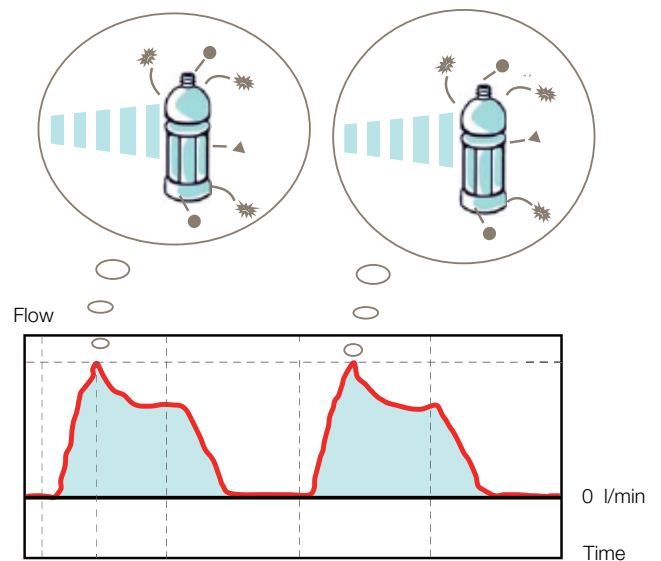
Pulsed air by Air Saver Unit reduces air consumption.

The Air saver unit is a valve that converts a continuous air blow to a pulsed air blow without the need for any other external control. Air is blown with a series of ON and OFF pulses. When the blow is OFF, there is no air consumption. This is how the air saver unit contributes to reduction in air consumption.

Continuous air blow



Pulsed air blow



Compared to continuous air blow, the pulsed air blow hits the work repeatedly, improving the efficiency of the air blow.

When an air saver unit is used, several positive effects can be expected. Air blow accounts for almost 50% of all compressed air used in plants. The air saver unit with a switching valve technology for air blow. Can reduce air consumption by up to 50% !

- Large reductions in plant air consumption.
- Savings in plant compressor power consumption.
- Reduction in plant CO₂ emissions.
- Big contribution to energy-saving activities.



Operating information

	Unit	ASV200	ASC500	ASO500	VMS2408	ASV5000
Function		Normally closed	Normally closed	Normally open	Normally closed	Normally closed
Fluid		Non-lubricated air				
Flow (at 0.5 MPa)	l/min (ANR)	150	450	450	2000	5000
Operating temperature	°C	-5 ~ 50 Note 1)				
Pressure range	MPa	0.3 ~ 0.8	0.2 ~ 0.7 Note 2)	0.2 ~ 0.5 Note 2)	0.3 ~ 0.8	0 ~ 0.8
Pilot supply	MPa	0.3 ~ 0.8	Internal pilot	Internal pilot	0.3 ~ 0.8 Note 3)	0.3 ~ 0.8
Blow		Pulse blow / Continuous blow				
Port size (1,2)		M5	Rc1/8	Rc1/8	Rc3/8	Rc1/2
Rated voltage	V	Power not necessary	DC24V		Power not necessary	
Power consumption	W	-	1.2W		-	
Grade of insulation		-	JIS grade E		-	
Permissible voltage fluctuation	%	-	±10		-	
Wiring		-	e-con standard 4 pole sockets		-	

Note 1) In case of using the Unit under 5°C, complete dry air by air dryer shall be supplied to prevent from freezing.

Note 2) Please note that supply air for port 1 should be more than 0.2MPa.

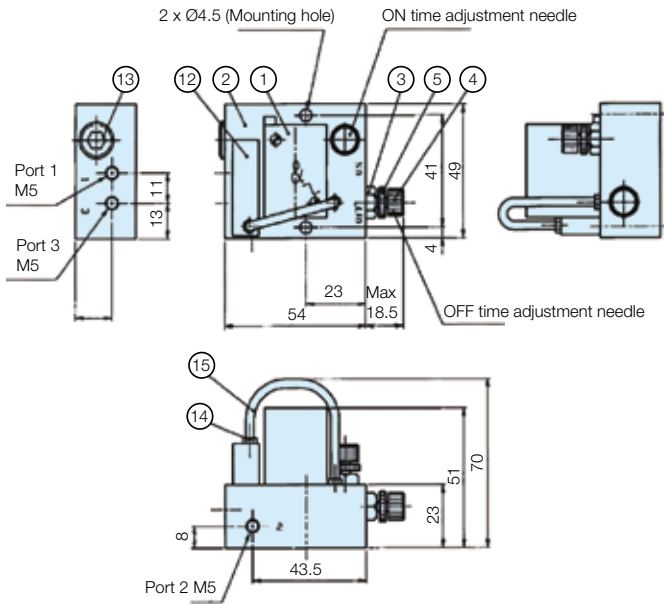
Note 3) Please note that supply air for port 1 should be more than 0.3MPa.

Order key

ASV200 - AA - M5

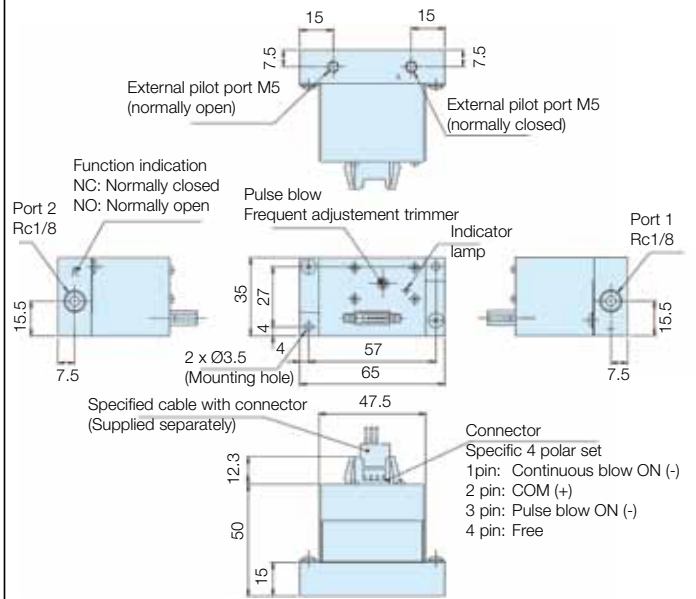
Model No.		Voltage / Wiring		Port size	
ASV200	Air Saver Unit pneumatically operated, Internal pilot port	AA	All air (No electrical wiring)	M5	M5
ASC500	Normally closed (2 position single solenoid)	1W	24VDC, e-CON standard 4 polar socket	01	Rc 1/8
ASO500	Normally open (2 position single solenoid)	Port size / VMS2408 only		04	Rc 1/2
VMS2408	Normally closed (2 position single solenoid)			-	Without sub-base
ASV5000	Normally closed (2 position single solenoid)	03	Rc 3/8		

ASV200-AA-M5



Part name	Qty	Material treatment
1 PLN-D10	1	Assembly
2 Flicker base	1	Aluminium alloy
3 Cover	2	Brass
4 Needle	2	Aluminium alloy
5 Lock nut	2	Aluminium alloy
6 VCC232-NB-Z12-005	1	Assembly
7 Plug R1/4	1	Black oxide finish
8 BC-03-M3	2	Stainless
9 TN-3.2	8cm	Polyamide resin

ASC500-1W-01 / ASO500-1W-01

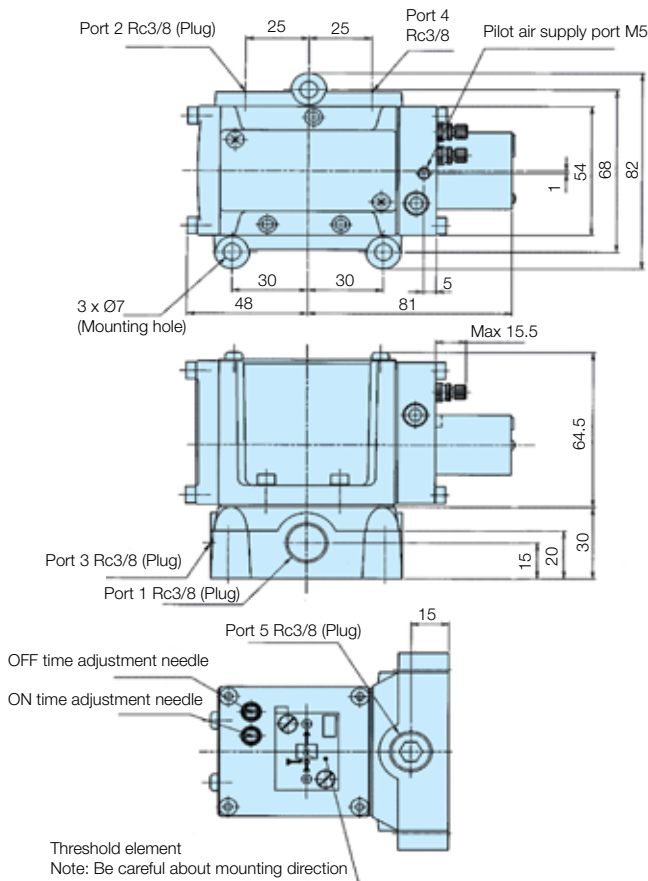


Pin no.	Colour
1	Black
2	Red
3	Yellow
4	(Free)

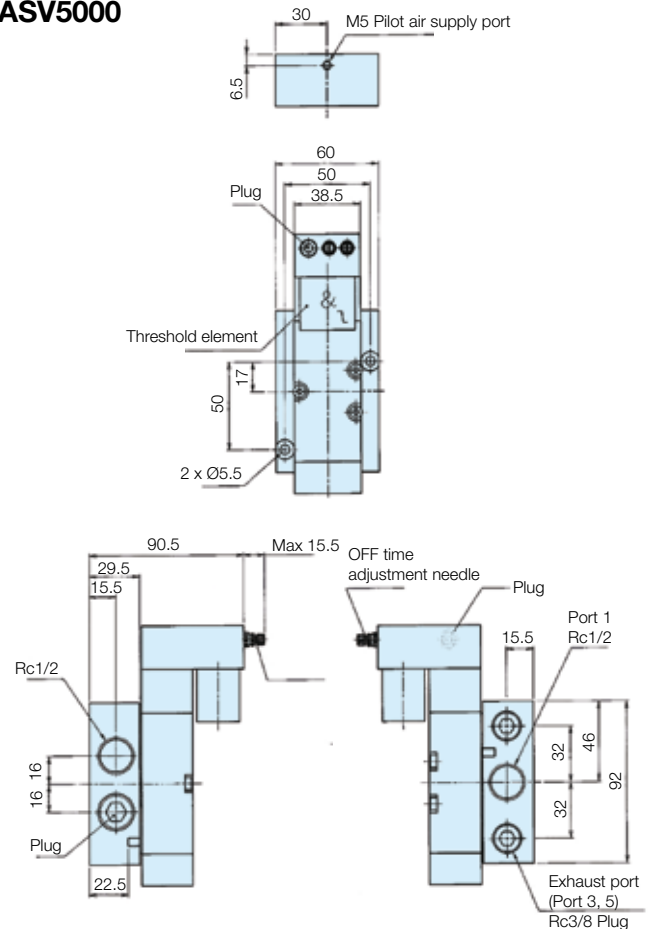


*Cable with specific connector "ASC-D24-CL10" (AWG26 ASC/ASO in common)

VMS2408-03-Z11-031



ASV5000



Miniature high-speed valves in stand alone, stackable or combined modules, incorporating standard logic functions. The range also includes timers and impulse modules.

- Complete range
- Stand alone, stackable or combinable modules
- Very fast response time
- Flexible and highly maintainable system
- DIN rail mounting
- Ø 4mm connection

 **For ATEX specific products contact Sales Office**



Operating information

Working pressure	3 to 8 bar
Working temperature	-15 °C to 60 °C
Flow (Qmax)	180 l/min (PRD = 60 l/min)
ATEX approval:	CE Ex II 2 GD c 85°C

For more information see www.parker.com/euro_pneumatic

Logic sequencer

Step modules



Order code

Without sub base Pneumatic output	PSM-A10
Visual indication of pneumatic output and manual override	PSM-A12
With sub base Without manual override	PSM-B12

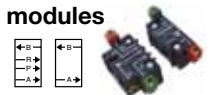
Step module subbase



Order code

Subbase	PSB-A12
Additional interlock	PSV-A12

Set of head and tail modules and deviation modules

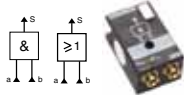


Order code

Head & tail set	PSE-A12
Deviation standard	PSD-A12
Deviation for remote	PSD-B12

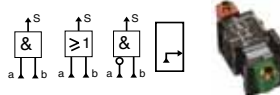
Logic elements

Line mounted elements



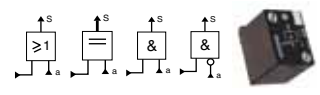
Logic Function	Order code
AND	PLL-A11
OR	PLK-A11
Clip on Din-rail	PZM-L199

Combinable elements



Logic Function	Order code
AND	PLL-B12
OR	PLK-B12
NOT	PLN-B12
INPUT	PLE-B12

Subbase mounted elements



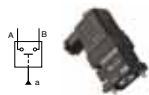
Logic Function	Order code
AND	PLL-C10
NOT inhibit standard	PLN-C10
NOT inhibit threshold	PLN-D10
OR	PLK-C10
YES regenerated	PLJ-C10

3 port subbase to be ordered separately.

Logic relays

Pressure switch

To be used with 3 port subbase

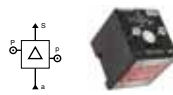


Order code

With subbase	PRE-A12
Without subbase	PRE-A10

Amplifier relays

To be used with 4 port subbase



Order code

With subbase	PRD-A12
Without subbase	PRD-A10

Memory relays

To be used with 4 port subbase



Order code

With subbase	PLM-A12
Without subbase	PLM-A10

Sensor relays



Order code

With subbase	PRF-A12
Without subbase	PRF-A10

Time delay relays

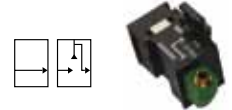
To be mounted on 3 port subbase



Function	Timing	Order code
Output after timed period	0,1 to 3s	PRT-E10
	0,1 to 30s	PRT-A10
	10 to 180s	PRT-B10
With subbase	0,1 to 30s	PRT-A12
Output during timed period	0,1 to 3s	PRT-F10
	0,1 to 30s	PRT-C10
	10 to 180s	PRT-D10

Subbase for logic elements and relays

3 port and 4 port subbases

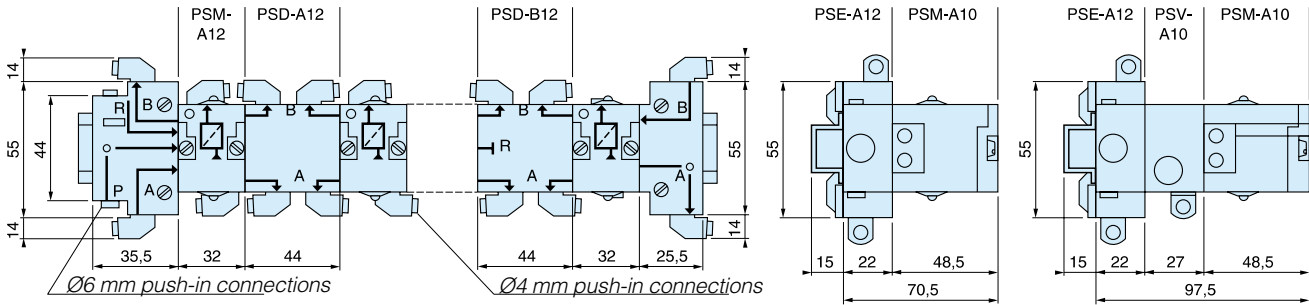


	Order code
Input module	PZU-E12
3 port "common input"	PZU-A12
3 port "cascade"	PZU-C12
4 port subbase*	PZU-B12

* For combination with memory relay and amplified relay.

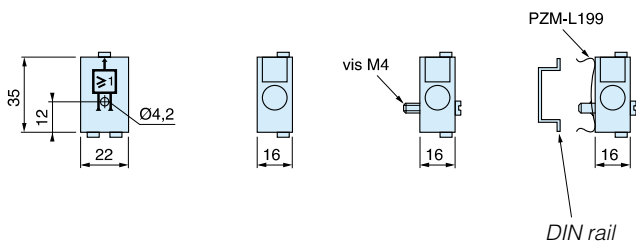
Dimensions, Logic processing

Modular sequencer



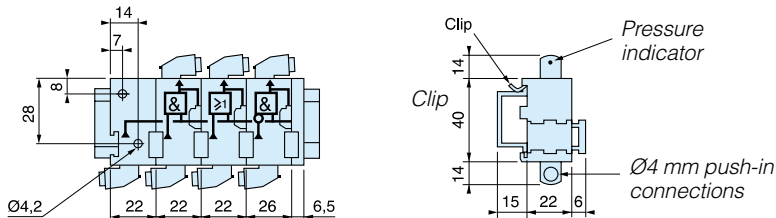
Line mounted logic elements

PLL-A11 and PLK-A11



Combinable logic elements

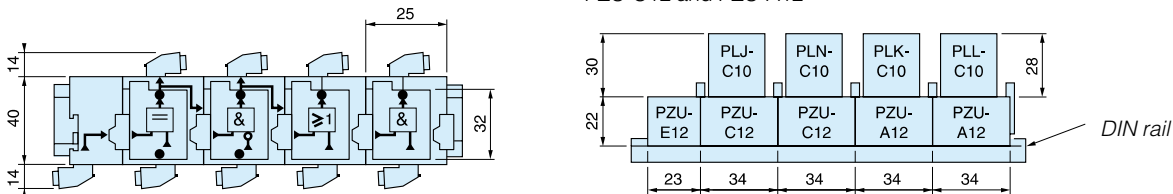
PLE-B12 — PLL-B12 — PLK-B12 and PLN-B12



Logic elements mounted on 3-port modular subbases

PZU-E12

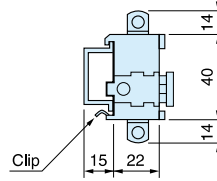
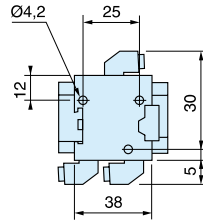
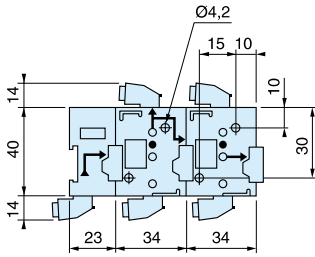
PLJ-C10 — PLN-C10 — PLK-C10 and PLL-C10 mounted on PZU-C12 and PZU-A12



3 and 4-port modular subbases

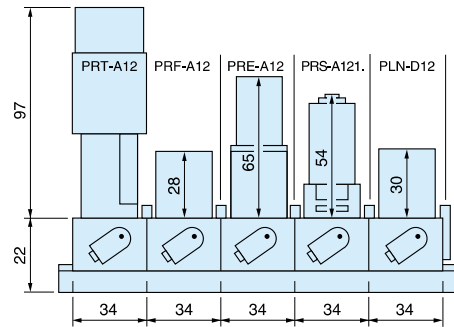
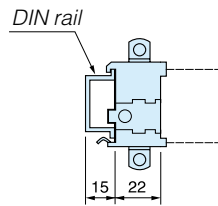
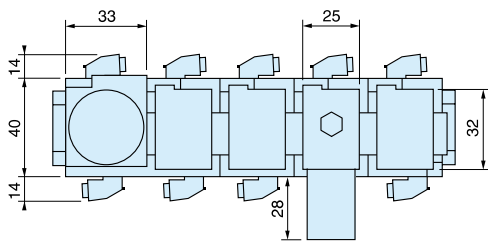
PZU-E12 — PZU-C12 — PZU-A12

PZU-B12



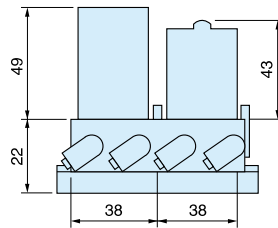
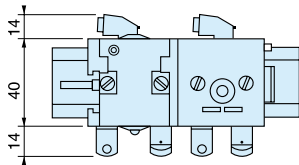
Relays mounted on 3-port modular subbases

PRT-A12 — PRF-A12 — PRE-A12 — PRS-A121 and PLN-D12



Relays mounted on 4-port modular subbases

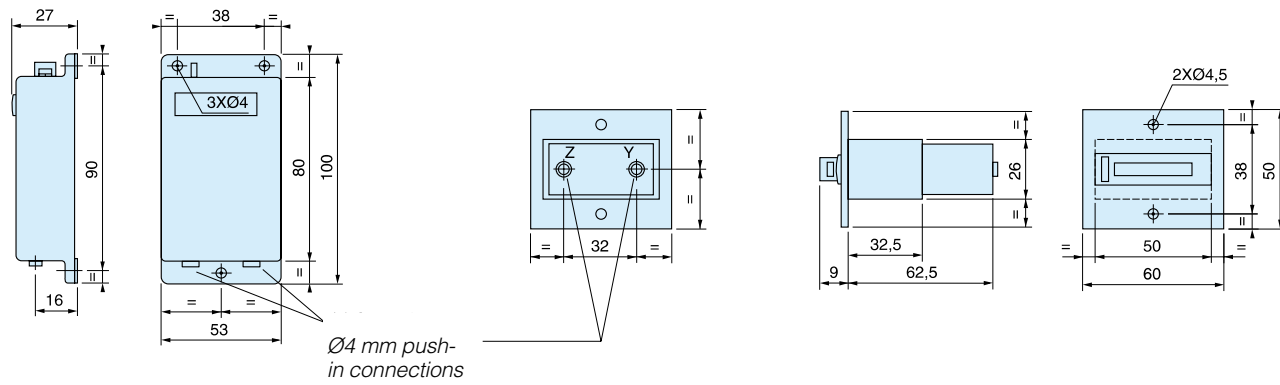
PLM-A12 and PRD-A12



Totalising counters

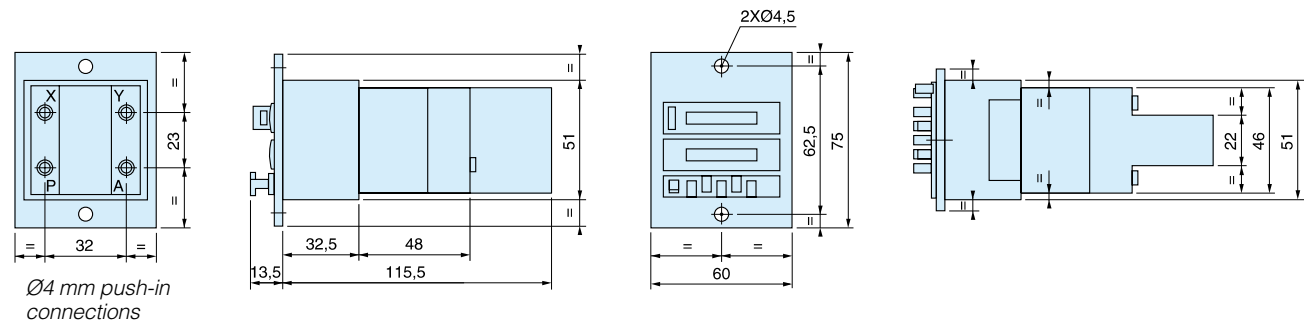
PCT-A11

PCT-B11



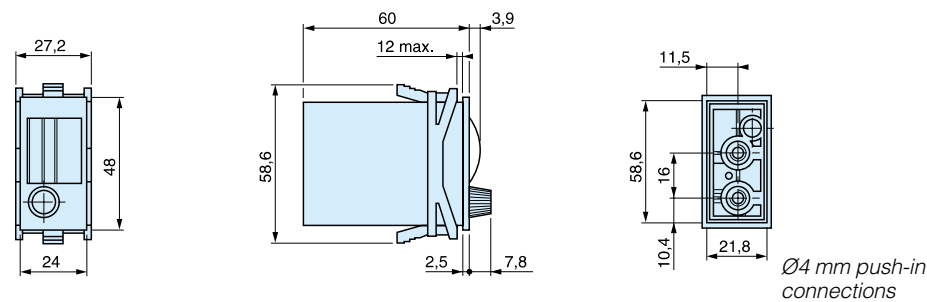
Digital display timers

PCM-A11 to PCM-B11



Timers with calibrated dial

PCM-F11 and PCM-G11



Designed to fit the standard electrical Ø22mm knock out, they can provide dual pneumatic and electrical output signals. A variety of button and switch actuators are available.

- Facia mounted operation
- 3/2 NO or NC
- Modular construction
- Wide range of actuators
- Dual pneumatic and electrical output signal



 **For ATEX specific products contact Sales Office**

Flow characteristics	
PXB-B3••	Q _{max} = 60 l/min Q _n = 30 l/min
PXB-B4••	Q _{max} = 240 l/min Q _n = 120 l/min
Connections	Ø 4 mm push-in

Operating information	
Push button valves - Visual indicators	
Working pressure	
PXB-B3••	1 to 9 bar
PXB-B4••	1 to 10 bar
PXV-••	1 to 8 bar
Working temperature	
-15°C to +60°C	
ATEX approval:	
CE Ex II 3 GD	

Spring return push buttons

Symbol	Flow	Order code
	60 l/min	PXB-B3111BA2
	240 l/min	PXB-B4131BA2
Black - With 1 NC valve		

Symbol	Flow	Order code
	60 l/min	PXB-B3111BA3
	240 l/min	PXB-B4131BA3
Green - With 1 NC valve		

Symbol	Flow	Order code
	60 l/min	PXB-B3111BA4
	240 l/min	PXB-B4131BA4
Red - With 1 NC valve		

Mushroom head push buttons

Symbol	Flow	Order code
	60 l/min	PXB-B3111BC2
	240 l/min	PXB-B4131BC2
Black - Spring return - With 1 NC valve		

Symbol	Flow	Order code
	60 l/min	PXB-B3111BT4
	240 l/min	PXB-B4131BT4
Red - Latching - With 1 NC valve		

Selector switches

Symbol	Flow	Order code
	60 l/min	PXB-B3111BD2
	240 l/min	PXB-B4131BD2
Black - 2 positions - With 1 NC valve		

Additional switch valves, electrical contact block and mounting brackets

Symbol	Flow	Order code	Contact	Order code
	60 l/min NC	PXB-B3911	Normally open NO	ZBE-101
	240 l/min NC	PXB-B4931	Normally closed NC	ZBE-102
	60 l/min NO	PXB-B3921		
	240 l/min NO	PXB-B4931		
	60 l/min NC	PXB-B3912		
	60 l/min NO	PXB-B3922		

All PXB-B4 valves can be connected either as normally closed 3/2 valve (NC) or normally open 3/2 valve (NO) as required, by connecting the primary air supply to port 1 or port 3.

Symbol	Flow	Order code	Description	Order code
	60 l/min NC	PXB-B3111B	 Mounting block	ZB4-BZ009
	60 l/min NO	PXB-B3121B		

Spring return push buttons

Spring return

	Colour	Order code
	Black	ZB4-BA2
	Green	ZB4-BA3
	Red	ZB4-BA4

Flush

Mushroom head

	Colour	Order code
	Black	ZB4-BC2
	Green	ZB4-BC3
	Red	ZB4-BC4

Ø40 mm
spring return

Selector switches

Black handle

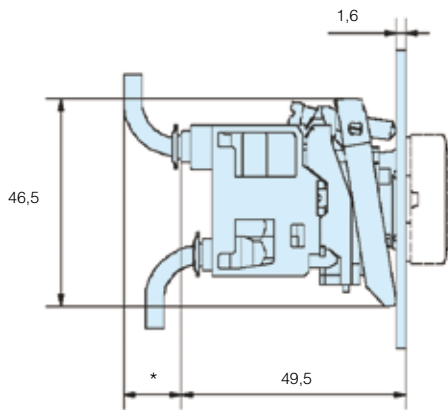
	Function	Order code
	2 positions fixed	ZB4-BD2
	3 positions fixed	ZB4-BD3

Standard

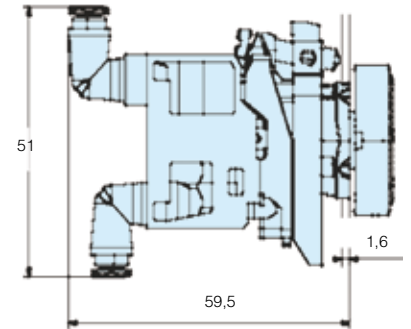
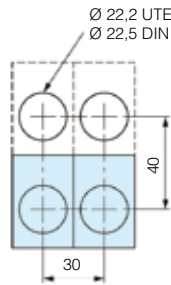
Visual indicators

	Colour actuated	Colour unactuated	Order code
	Green	Black	PXV-F131
	Red	Black	PXV-F141
	Yellow	Black	PXV-F151
	Blue	Black	PXV-F161
	White	Black	PXV-F111
	Green	Red	PXV-F1314

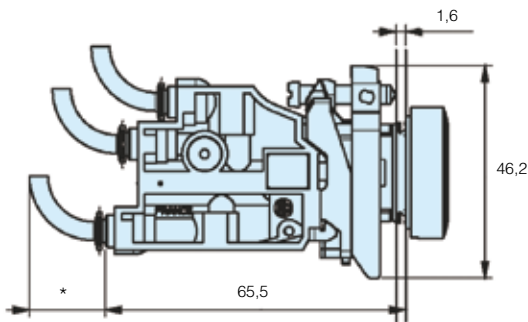
PXB-B3



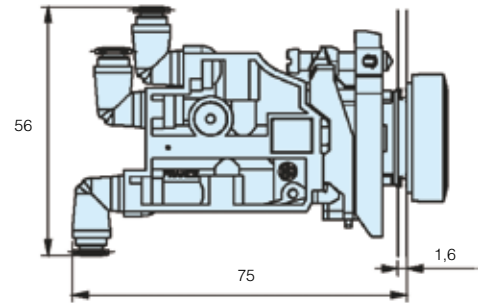
Body width 30mm
 * With 2 x 4mm tube = 10
 With 2,7 x 4mm tube = 15



PXB-B4



Body width 30mm
 * With 2 x 4mm tube = 10
 With 2,7 x 4mm tube = 15



Compact 3/2 normally closed metal bodied valves with push-in air connections. Designed for the process duty cycle with high durability. Ideal for the process or packaging industry.



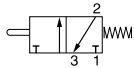
- High durability
- Very good repeat accuracy
- Design for process duty cycle
- Push-in connection
- Versatile and easily maintained
- Miniature size

 **For ATEX specific products contact Sales Office**

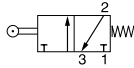
Operating information

Working pressure; PXC-M	3 to 8 bar			
Working temperature	-15 °C to +60 °C			
	PXC-M111	PXC-M121	PXC-M521	PXC-M601
Flow (Qmax):	60 l/min	85 l/min	250 l/min	250 l/min
For more information see www.parker.com/euro_pneumatic				

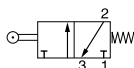
Bore Ø1,5 mm, flow 60 NI/min

Symbol	Actuator	Return	Operating forces at 6 bar, N	Order code
	Steel plunger	Spring	11	PXC-M111

Bore Ø1,5 mm, flow 85 NI/min

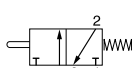
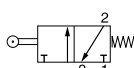
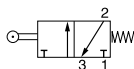
Symbol	Actuator	Return	Operating forces at 6 bar, N	Order code
	Plastic roller	Spring	4,5	PXC-M121
	Steel roller	Spring	4,5	PXC-M131

Bore Ø2,5 mm, flow 250 NI/min

Symbol	Actuator	Return	Operating forces at 6 bar, N	Order code
	Plastic roller	Spring	7	PXC-M521

3/2 compact limit switches - With Ø4mm Push-in connections with pipeable exhaust port

Bore Ø2,5mm, flow 250 NI/min - With plunger head

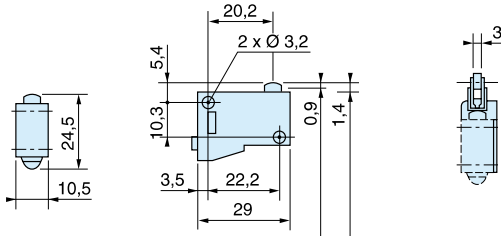
Symbol	Actuator	Return	Operating forces at 6 bar, N	Order code
	Steel plunger	Spring	24	PXC-M601A110
	Steel roller plunger	Spring	24	PXC-M601A102
	90° Steel roller plunger	Spring	24	PXC-M601A103

Dimensions, Limit switches, Series PXC

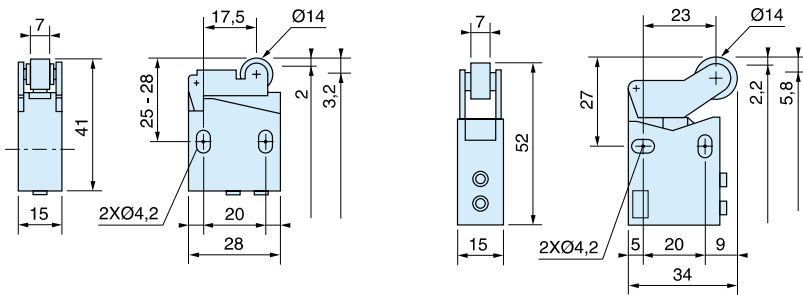
All dimensions in mm unless otherwise stated

3/2 miniature limit switches

PXC-M111 PXC-Z12 PXC-Z11

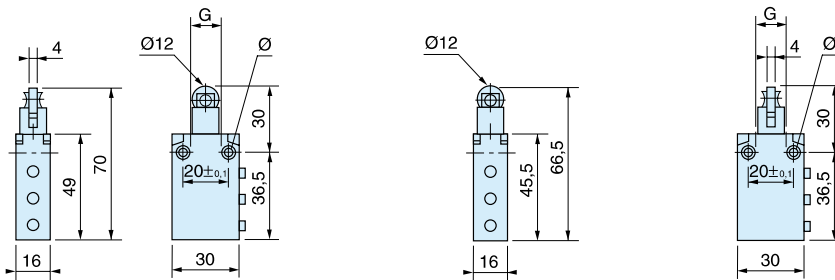


PXC-M121 - PXC-M131 PXC-M521

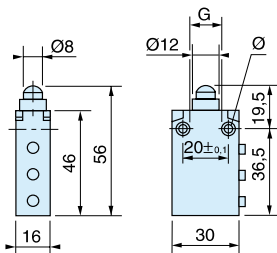


3/2 compact limit switches

PXC-M601A102 PXC-M601A103



PXC-M601A110



Ergonomically designed units to provide protection against accidental operation of machines. Completely sealed units prevent tampering and comply with latest European safety standards.



- Ergonomic design
- Robust polymer or metal enclosure
- Meets requirements for protection against accidental operation and tampering
- Metal enclosure features a wrist-rest bar which helps prevent illness due to repetitive actions
- Conforms to EN574 and EN954-1 requirements

Operating information

Working pressure	3 to 8 bar
Working temperature	-5 °C to +60 °C
For more information see www.parker.com/euro_pneumatic	

Control module only

Symbol	Connections	Order code
	Ø4 mm Push-in	PXP-A11

Complete units

Polymer enclosure, with two Ø40 mm push button with protective guards and control module

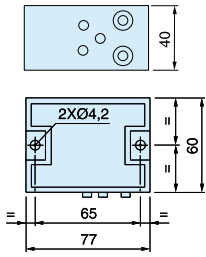
Symbol	Connections	Number of control modules	Order code
	Ø4 mm Push-in	1	PXP-C111
	Ø4 mm Push-in	2	PXP-D121

Metal enclosure, with two Ø60 mm push buttons, wrist restbar, built in protective guard and control module

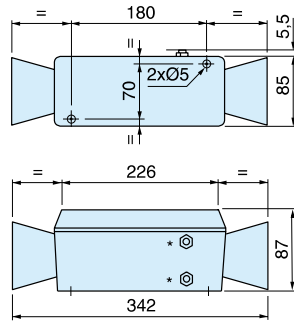
Symbol	Connections	Number of control modules	Order code
	Push-in Ø6 mm for supply Ø4 mm for output	1	PXP-S111
	Push-in Ø6 mm for supply Ø4 mm for output	2	PXP-S121

Dimensions

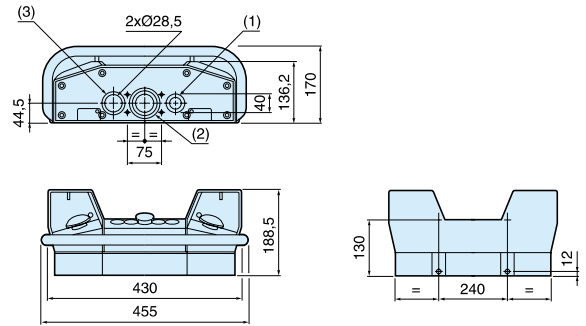
PXP-A11



PXP-C111 and PXP-D121



PXP-S111 and PXP-S121



- * Ø4 mm push-in connections
- ** Ø6 mm push-in connections

- 12 mm solenoids sub-base mounting type
- Instant push-in fittings for inlet (Ø 8 mm) and outlets (Ø 4 mm)
- Brass silencer
- Quick response time
- Multi-functional manual override



Operating Information		Materials	
Working pressure	0,9 to 8 bar	Manifold complete :	Polyamide Aluminium
Power DC	1 W	Armature tube:	Brass Stainless steel
Voltage	24 VDC	Plunger & core:	Corrosion resistant Cr-Ni steel
Voltage tolerance	+/- 10 %	Seals:	FKM (Viton™) Low temp FKM
Electrical connection	M8	Screws:	Zinc plated Stainless steel
Flow rate at 6 bar input, 1 bar pressure drop	15NI/min	Coil	
Valve function	3/2 NC	Encapsulation material:	Thermoplastic as standard
Response time	5 ms		thermoset resin for M12 connection
Frequency	200 cycles/min		

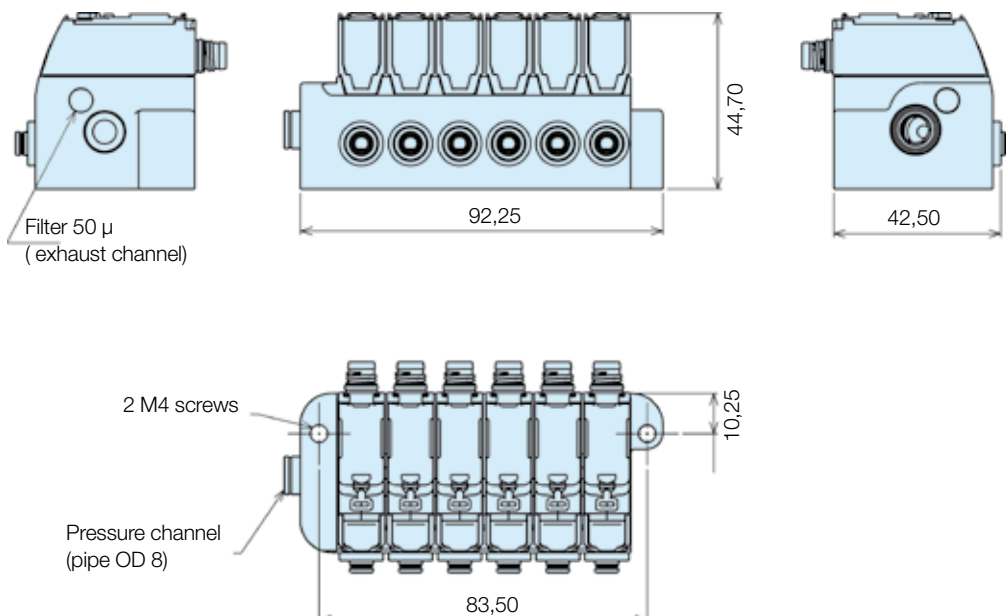
Order codes

Designation	Weight (kg)	Order code
5 stations manifold complete	0,130	P2DFIX5PC
6 stations manifold complete	0,155	P2DFIX6PC
Electrical connector *	2 m	P8LS08L226C
	5 m	P8LS08L526C
	9 m	P8LS08L926C

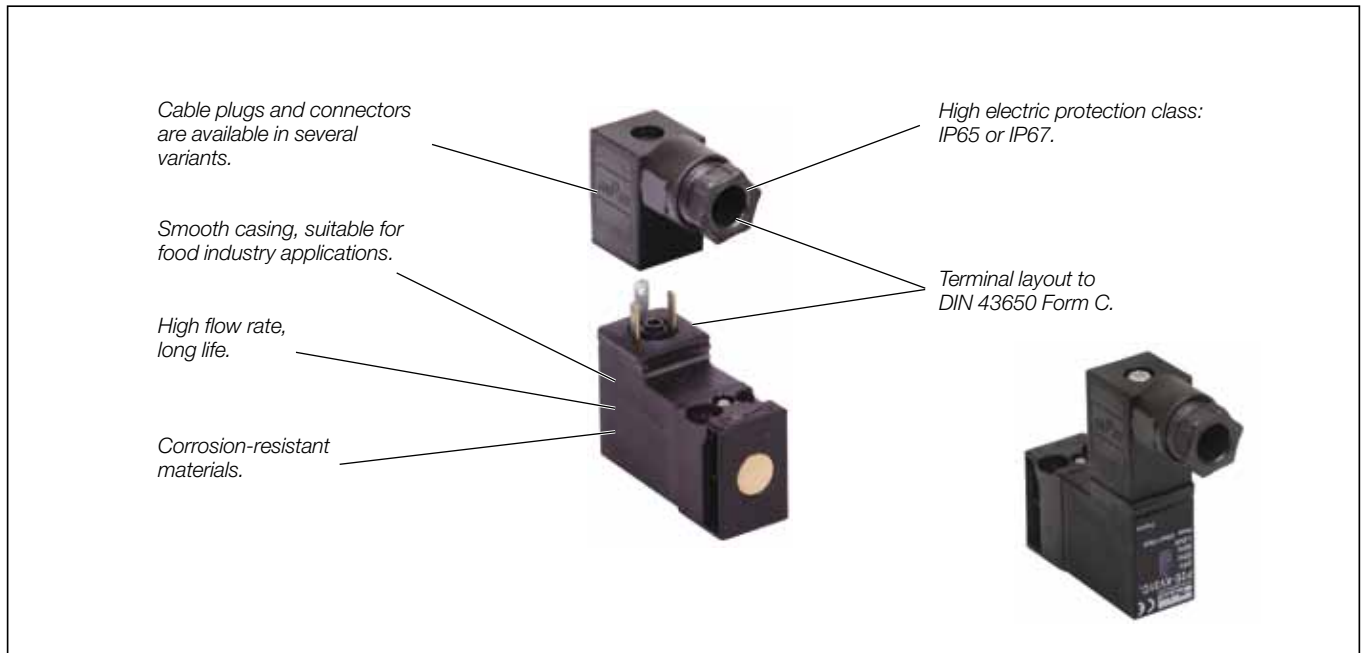


* Clip-on individual electrical connector, for each solenoid pilot, IP67 protected, including LED, voltage surge protection and flying lead cable

Dimensions (mm)



Solenoid operators - 15 mm



The P2E-•V solenoid operator range

The P2E-•V range of operators are normally closed (NC) 3/2 solenoid valves, with exceedingly compact dimensions in relation to their capacity.

International standard

The port connection pattern complies with a new French CNOMO standard (in process of drafting), with cable plug connections in accordance with DIN 43650 Form C.

Compact design

Overall dimensions of the P2E-•V operators are substantially less than those of earlier generations of solenoid operators.

High flow capacity

High flow capacity relative to the electrical operating power as a result of optimised internal flow paths.

Corrosion-resistant design

The valve is made of thermoplastic material and stainless steel, with Viton™ and nitrile rubber seals for excellent corrosion resistance.

Clean lines suitable for food industry applications, P2E-QV

The valve has been designed in conjunction with several machine manufacturers and organisations in the food processing industry, with corrosion-resistant materials and smooth lines being important starting points. The valve and its accessories have been designed so that there are no gaps or crevices in which dirt could collect.

High reliability

Few moving parts result in high reliability, rapid changeover and very long life.

Low power demand

The solenoids have a power demand of 1.2 W at 24 VDC and 1.6 VA at 24 VAC, 115 V AC and 230 VAC.

High protection class

The protection class is IP 67 when connected using the cable plug with a moulded cable. When using the standard cable plug for fitting by the user, the protection class is IP65, the valve, with Fast-on connectors, has an encapsulation class of IP 20.

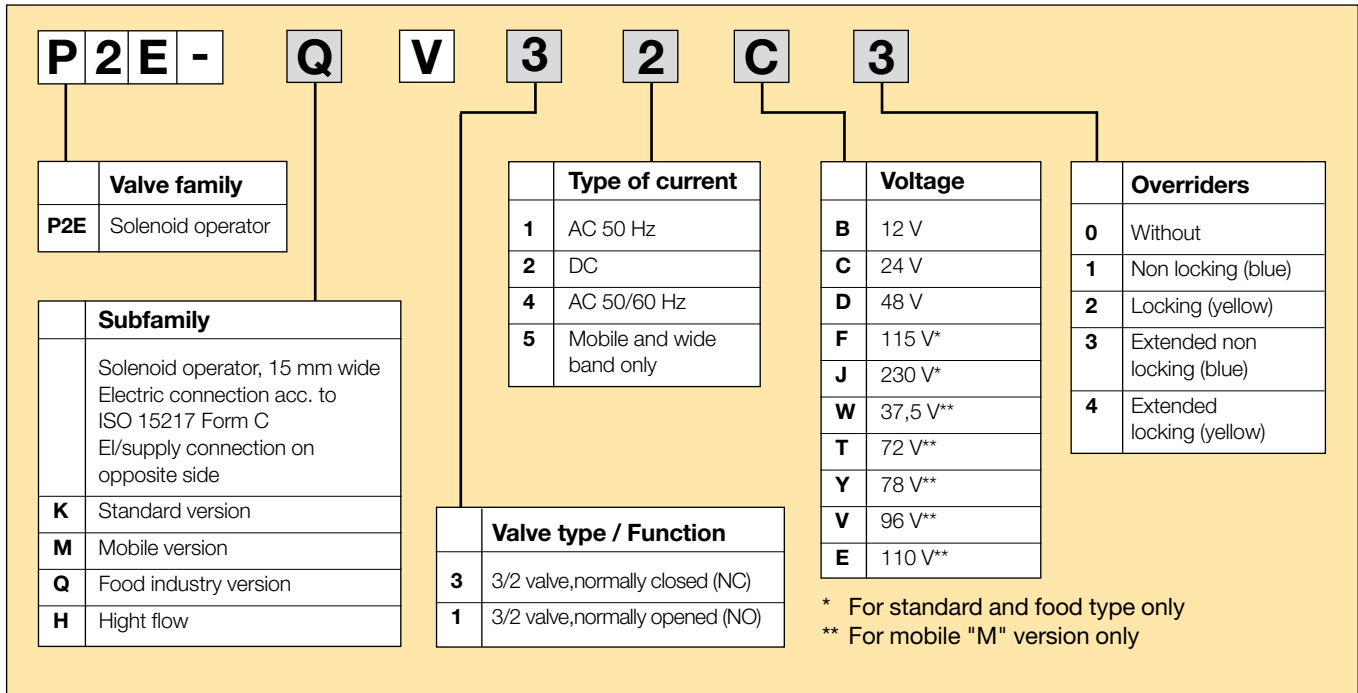
Insensitive to dirty air

The use of generously sized flow paths (1.0 mm diameter) means that the valve can be used in normal industrial environments without problems of blocking.


Manual override as option

The operators can be supplied with or without manual override. The manual override device is available as a screwdriver groove or with a control arm, and is either spring return (blue) or lockable (yellow).

Order key, solenoid operators (15mm)



Technical data

	NC, Standard	NC, Food ¹⁾	NC, Mobile ²⁾	NC, High flow
Working pressure	0 to 10 bar	0 to 10 bar	0 to 10 bar	0 to 10 bar
Working temperature	-15 °C to +60 °C	-15 °C to +60 °C	-40 °C to +70 °C	-15 °C to +50 °C
Orifice	1,0 mm	1,0 mm	1,0 mm	1,4 mm
Flow Qmax	33 NI/min	33 NI/min	22 NI/min	50 NI/min
Power, hold	DC 1,2 W / AC 1,6 VA *	DC 1,2 W / AC 1,6 VA *	DC 1,4 W	DC 1,8 W / AC 2,4 VA
Power, surge	DC 1,2 W / AC 3,5 VA *	DC 1,2 W / AC 3,5 VA *	DC 1,4 W	DC 1,8 W / AC 5,5 VA
Connection time	100%	100%	100%	100%
Voltage tolerance	+10%/-15%	+10%/-15%	+25%/-30%	+10%/-15%
Electric connection:	DIN 43650 Form C			
Port pattern:	To future CNOMO standard			
Protection:	IP 65			
Approval:	Standard solenoids are UL 429 recognized and marked with the following symbol 			
Working media:	All neutral media, such as compressed air, water, hydraulic oil and many gases.			
1) Design:	Completely smooth exterior, suitable for food industry.			
2) Mobile standard	According to European standard EN 50 155.			

* Power , hold for 230VAC 2.4VA
Power, surge for 230VAC 5.5VA

Transients

Interrupting the current through the solenoid coil produces momentary voltage peaks which, under unfavourable conditions, can amount to several hundred times the rated operating voltage. Normally, these transients do not cause problems, but to achieve the maximum life of relays in the circuit (and particularly of transistors, thyristors and integrated circuits) it is desirable to provide protection by means of voltage-dependent resistors (varistors). All cable plugs with a yellow LED also incorporate such protection.

Service life

With compressed air at 6 bar, 20 °C and complying with the requirements for compressed air quality as set out in ISO8573-1 norm (class 4 for dry and class 5 for filtered air), the valves should have a life of at least 50 million cycles.

Materials

Operator

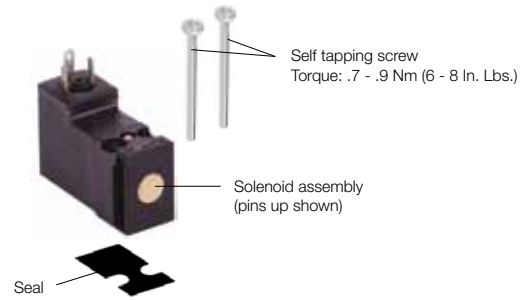
Body, coil casing	Thermoplastic
Internal metal parts	Steel
Screws	Stainless steel
Bottom plug	Thermoplastic
Sealing materials	FPM (Viton™) and nitrile rubber

Cable head

Sheath	Thermoplastic
Retaining screw	Stainless steel, zinc-plated steel

Solenoid Operators - 15 mm

Electrical connection EN175301-803 C/ISO15217 (Ex DIN 43650C)



Solenoids 15 mm NC, standard

(Note! Mounting screws included in basic valve)

	Voltage	Weight kg	Order code Without manual override	Weight kg	Order code Override, blue, non locking flush	Weight kg	Order code Override, yellow, locking flush
	12 VDC	0,038	P2E-KV32B0	0,038	P2E-KV32B1	0,038	P2E-KV32B2
	24 VDC	0,038	P2E-KV32C0	0,038	P2E-KV32C1	0,038	P2E-KV32C2
	48 VDC	0,038	P2E-KV32D0	0,038	P2E-KV32D1	0,038	P2E-KV32D2
	24 VAC 50Hz	0,038	P2E-KV31C0	0,038	P2E-KV31C1	0,038	P2E-KV31C2
	48 VAC 50/60Hz	0,038	P2E-KV34D0	0,038	P2E-KV34D1	0,038	P2E-KV34D2
	115 VAC 50Hz/ 120 VAC 60Hz	0,038	P2E-KV31F0	0,038	P2E-KV31F1	0,038	P2E-KV31F2
	230 VAC 50Hz/ 240 VAC 60Hz	0,038	P2E-KV31J0	0,038	P2E-KV31J1	0,038	P2E-KV31J2
	Voltage	Weight kg	Order code Override extended, blue, non locking flush	Weight kg	Order code Override extended, yellow, locking flush		
	24 VDC	0,038	P2E-KV32C3	0,038	P2E-KV32C4		
	24 VAC 50Hz	0,038	P2E-KV31C3	0,038	P2E-KV31C4		

Solenoids 15 mm NC, mobile

(Note! Mounting screws included in basic valve)

	Voltage	Weight kg	Order code Without manual override	Weight kg	Order code Override, blue, non locking flush
	12 VDC	0,038	P2E-MV35B0	0,038	P2E-MV35B1
	24 VDC	0,038	P2E-MV35C0	0,038	P2E-MV35C1
	37,5 VDC	0,038	P2E-MV35W0	0,038	P2E-MV35W1
	48 VDC	0,038	P2E-MV35D0	0,038	P2E-MV35D1
	72 VDC	0,038	P2E-MV35T0	0,038	P2E-MV35T1
	78 VDC	0,038	P2E-MV35Y0	0,038	P2E-MV35Y1
	96 VDC	0,038	P2E-MV35V0	0,038	P2E-MV35V1
	110 VDC	0,038	P2E-MV35E0	0,038	P2E-MV35E1

Solenoids 15 mm NC, food industry version

(Note! Mounting screws included in basic valve)

	Voltage	Weight kg	Order code Without manual override	Weight kg	Order code Override, blue, non locking flush	Weight kg	Order code Override, yellow, locking flush
	24 VDC	0,038	P2E-QV32C0	0,038	P2E-QV32C1	0,038	P2E-QV32C2
	48 VDC	0,038	P2E-QV32D0	0,038	P2E-QV32D1	0,038	P2E-QV32D2
	24 VAC 50Hz	0,038	P2E-QV31C0	0,038	P2E-QV31C1	0,038	P2E-QV31C2
	48 VAC 50/60Hz	0,038	P2E-QV34D0	0,038	P2E-QV34D1	0,038	P2E-QV34D2
	115 V 50Hz/ 120 V 60Hz	0,038	P2E-QV31F0	0,038	P2E-QV31F1	0,038	P2E-QV31F2
	230 VAC 50Hz/ 240 VAC 60Hz	0,038	P2E-QV31J0	0,038	P2E-QV31J1	0,038	P2E-QV31J2
		Voltage	Weight kg	Order code Override extended, blue, non locking flush	Weight kg	Order code Override extended, yellow, locking flush	
24 VDC		0,038	P2E-QV32C3	0,038	P2E-QV32C4		
24 VAC 50Hz		0,038	P2E-QV31C3	0,038	P2E-QV31C4		
115 VAC 50 Hz		0,038	P2E-QV31F3	0,038	P2E-QV31F4		
230 VAC 50 Hz		0,038	P2E-QV31J3	0,038	P2E-QV31J4		

In accordance with the EU Machine Directive, EN 983, solenoid valves with manual override should have spring-return operating arms for safety.

2/2-Way Direct Operated Valve

General application valves for dry or lubricated air, neutral gases and liquids



Description:

- 2/2-Way Direct Operated Valve - Normally Closed.
- Coil IP65 for 2 P + E plug according to DIN 43650 type A
- Power Consumption 8W (AC), 9W (DC).

Applications:

- Shut-off and control (On-Off) of water, air, light oils, steam and inert gases
- Humidifiers, welding systems, industrial washing machines, automatic dispensers, diesel oil burners, sterilizers, compressors.

Temperature Range:

- Min: -10°C | Max: see table

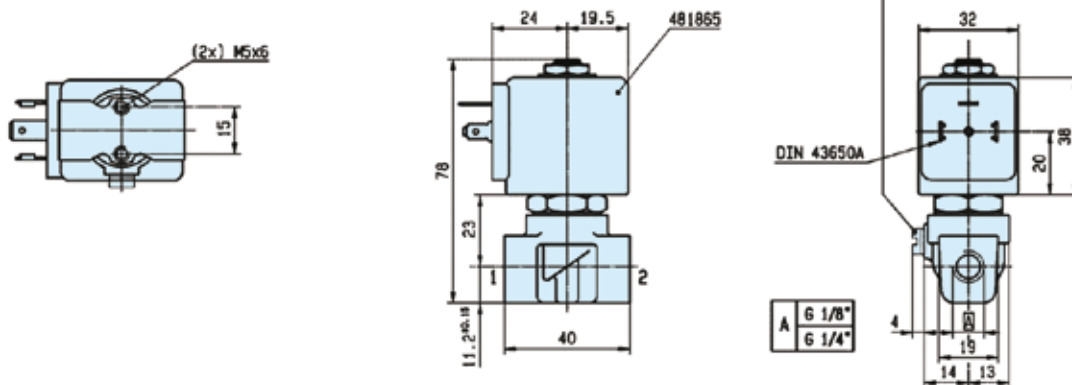
Seals Material:

- See table

Advantages:

- Versatile product for many 2/2 NC valve requiring applications, robust design.

Port size	Orifice	K _v	Admissible differential pressure (bar)			Fluid Temp.	Seal Material	Reference number			Options
			Min.	Max. DC	Max. AC			Valve	Housing	Coil	
G	mm	l/min				°C					
2/2-Way Direct Operated Valve											Normally CLOSED
1/8"	2.5	3.50	0	10.0	28.0	100°C	Ruby	E121K23	2995	481865	-
1/8"	3.0	4.50	0	7.0	10.0	100°C	FKM	121K1302	2995	481865	-
1/4"	1.2	0.85	0	36.0	80.0	100°C	Ruby	E121K65	2995	481865	-
1/4"	1.5	1.50	0	25.0	60.0	75°C	PCTFE	E121K04	2995	481865	-
1/4"	1.5	1.50	0	25.0	60.0	100°C	Ruby	E121K67	2995	481865	-
1/4"	1.5	1.50	0	20.0	20.0	100°C	FKM	E121K0402	2995	481865	-
1/4"	2.5	3.50	0	10.0	28.0	75°C	PCTFE	E121K07	2995	481865	-
1/4"	2.5	3.50	0	7.0	14.0	100°C	FKM	121K0706	2995	481865	-
1/4"	2.5	3.50	0	10.0	28.0	100°C	Ruby	E121K63	2995	481865	-
1/4"	3.0	4.50	0	7.0	20.0	75°C	PCTFE	E121K03	2995	481865	-
1/4"	3.0	4.50	0	7.0	10.0	100°C	FKM	E121K0302	2995	481865	-
1/4"	3.0	4.50	0	7.0	10.0	100°C	EPDM	121K0323	2995	481865	-
1/4"	3.0	4.50	0	7.0	10.0	100°C	FKM	E121K0352	2995	481865	**
1/4"	3.0	4.50	0	7.0	20.0	100°C	Ruby	E121K64	2995	481865	-
1/4"	4.0	7.50	0	4.0	10.0	100°C	FKM	121K02	2995	481865	-
1/4"	4.0	7.50	0	4.0	10.0	100°C	FKM	121K0250	2995	481865	**
1/4"	5.0	11.00	0	2.0	7.0	100°C	FKM	121K01	2995	481865	-
1/4"	5.0	11.00	0	2.0	7.0	100°C	EPDM	121K0103	2995	481865	-
1/4"	5.0	11.00	0	2.0	7.0	100°C	FKM	121K0150	2995	481865	**
1/4"	5.0	11.00	0	2.0	7.0	100°C	FKM	121K3106	2995	481865	-
3/8"	4.0	7.50	0	4.0	10.0	100°C	FKM	121K3206	2995	481865	-
3/8"	6.0	12.00	0	1.1	5.0	100°C	FKM	121K3303	2995	481865	-
3/8"	6.0	12.00	0	1.1	5.0	100°C	FKM	121K3306	2995	481865	-
1/2"	8.5	25.00	0	0.5	1.1	100°C	FKM	E121K46	2995	481865	-
1/2"	11.0	36.00	0	0.3	0.7	100°C	FKM	E121K45	2995	481865	-



** Manual override standard

2/2 & 3/2 Solenoid Valves for High Pressure pneumatic applications - 40 bar

Product offering:

- 2/2 valves and 3/2 way valves - pilot operated
- Pipe mounting (G 1/2- 3/4) or sub-base mounting
- 1.5 (2) - 40 bar
- Normally open or closed
- Internal or external pilot pressure supply

Customer Value Proposition:

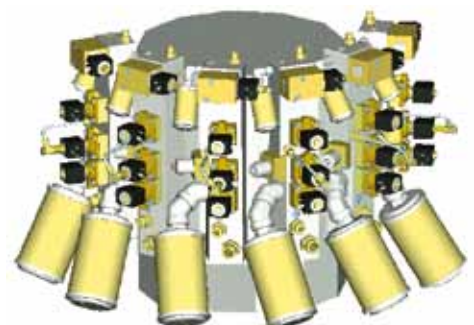
- Safety of operation
- Reliability
- Response time stability
- Repeatability
- No leakage
- Integrated non return valve (421version)

The use of high pressure gases became a necessity in the new technologies developed during the last years.

The control of these fluids can be done through the solenoid valves specially designed by Parker Lucifer for high pressure applications (maximum 50 bar).

The **life expectancy of several millions** of cycles, with **response time of few milliseconds**, allows the use of these valves on intensive applications and on high technology machines, as the plastic bottle blowing machines, or the laser cutting machines.

Parker Lucifer also develops special valves or adapted blocks upon specific customers needs. Please contact your agent for more information.



Application Example

Main Technical Specifications

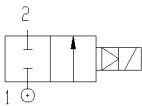
Function

2/2 pilot operated: Normally closed (with internal pilot pressure) 321H/F type
 Normally closed (with external pilot pressure) 421H/F type
 Normally open (with internal pilot pressure) 322H/F type

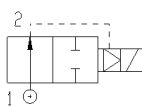
3/2 pilot operated: normally closed (with internal pressure) 331B type

ISO diagram

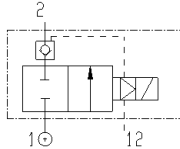
321H/F



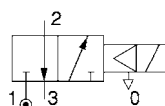
322H/F



421H/F



331B



Mounting

- For direct pipe mounting G 1/2" or 3/4" (2/2 Valve type H); G 1/4 (3/2 Valve type B)
- For sub-base mounting (type F)

Nominal diameter

15 mm (type H), 14 mm (type F)

Pressures

For the version with external pilot pressure, the pilot pressure must always be higher than the controlled pressure

External Leakage

0 Ncc/min.

Internal Leakage

< 20 Ncc/min.

Fluids

Dry lubricated or non lubricated air, Argon, Nitrogen.
 Oxygen on request

Proof pressure

200 bar

Filtration

< 1 µm

Life expectancy

- > 2 10⁶ cycles (dry and clean air)
- > 8 10⁶ cycles (lubricated air)

Temperatures

Ambient / fluid mini: -10 °C
 Ambient / fluid maxi: +50 °C

Materials specifications

Body/cover: 2/2 Valves: Brass - 3/2 Valves: Aluminium
 Pilot seals : PUR
 Main seals : FKM (Viton®) with isolating diaphragm from PUR
 Tube and plunger : Stainless steel
 Coil : Encapsulation from PA66 + 30% fiber glass

Options

Δp maxi 50 bar on request

Response Time

Depends on application

Mounting Position

Indifferent

Specials

Parker Lucifer also develops special valves or adapted blocks upon specific customers needs.
 Please contact your agent for more information.

Port size	Orifice	Flow Factor (l/min)	Admissible differential pressure (bar)			Fluid Temp.	Seal Material (C°)	Global Ref. No.	Reference number			Dim. Ref. N°
			Min.	Max. DC	Max. AC				Valve	Housing	Coil	
G	mm	Gaz Qn				Gaz Max.						
2/2 Valves - Direct Pipe Mounting											Normally CLOSED	
1/2"	15	3150	1.5	40	40	50	FKM	-	321H35	2995	see table	1
3/4"	15	3550	1.5	40	40	50	FKM	-	321H36	2995	see table	1
2/2 Valves - Direct Pipe Mounting											Normally OPEN	
1/2"	15	3150	1.5	40	40	50	FKM	-	322H35	2995	see table	2
3/4"	15	3550	1.5	40	40	50	FKM	-	322H36	2995	see table	2
2/2 Valves - Direct Pipe Mounting											External Pilot	Normally CLOSED
1/2"	15	3150	2	40	40	50	FKM	-	421H35	2995	see table	3
3/4"	15	3550	2	40	40	50	FKM	-	421H36	2995	see table	3
2/2 Valves - Sub-base Mounting											Normally CLOSED	
-	14	2100	1.5	40	40	50	FKM	-	321F35	2995	see table	4
-	22	7000	5	40	40	50	FKM	-	321F37	2995	see table	-
2/2 Valves - Sub-base Mounting											Normally OPEN	
-	14	2100	1.5	40	40	50	FKM	-	322F35	2995	see table	5
-	22	7000	1.5	40	40	50	FKM	-	322F37	2995	see table	-
2/2 Valves - Sub-base Mounting											External Pilot	Normally CLOSED
-	14	2100	2	40	40	50	FKM	-	421F35	2995	see table	6
3/2 Valves - Direct Pipe Mounting											Normally CLOSED	
1/4"	8	750	1	40	40	50	PUR	-	331B31	2995	see table	7
3/2 Valves - Sub-base Mounting											Normally CLOSED	
-	8	750	1	40	40	50	PUR	-	331F31	2995	see table	-

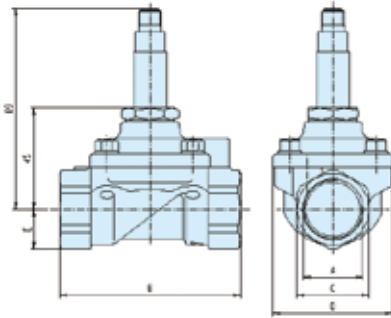
Available electrical parts:

You will find standard available coil details on the next pages. Due to the innovative sleeve design it is also possible to use all listed Parker valves with special solutions, like water tight (IP67) or explosion proof designs.

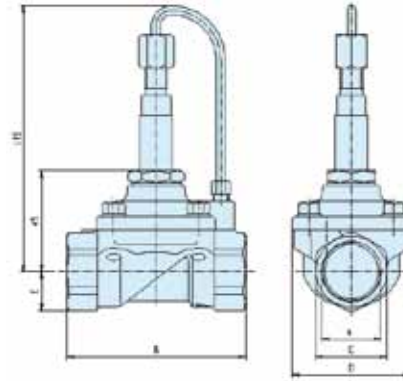
Please consult your local agent for more details.

Dimensions

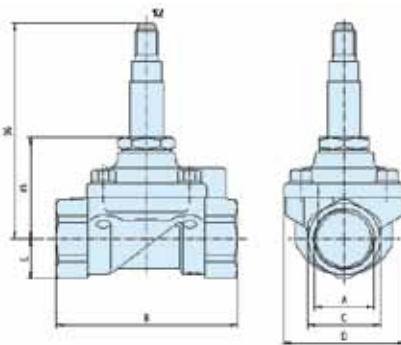
Dimensions Reference N° 1



Dimensions Reference N° 2

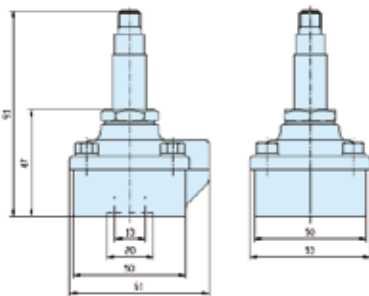


Dimensions Reference N° 3

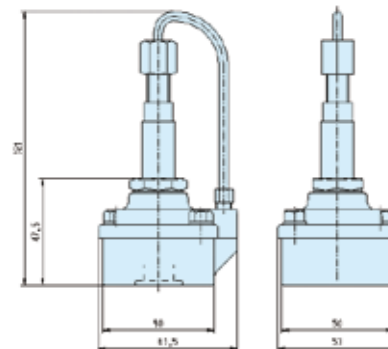


A	B	C	D	E
G3/4"	80	32	53	17.5
G1/2"	75	27	53	13.5

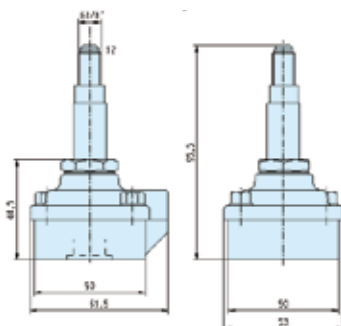
Dimensions Reference N° 4



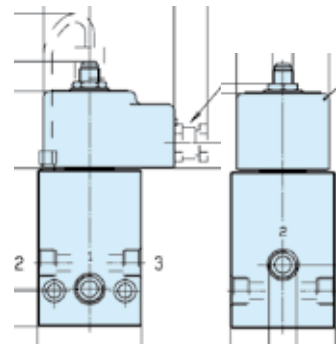
Dimensions Reference N° 5



Dimensions Reference N° 6



Dimensions Reference N° 7



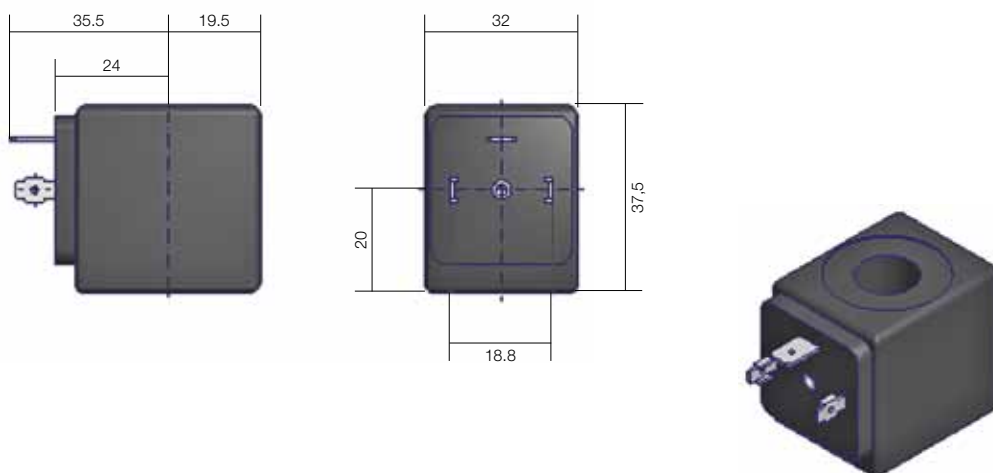
Electrical Parts Availability

32 mm Electrical Parts Availability

481865 Series - Standard Coil Mono-Frequency, F Class, IP65

Encapsulated in synthetic material, connector for 2P+E DIN 43650 A Plug, IP65 insulation class to be considered with connector plug only. This coil conforms to the IEC/CENELEC safety standards and complies with European low-voltage directive 73/23/EC.

Voltage V	Power Consumption	Reference	Approvals	Ambient Temperature	Class of insulation	Dimensional Drawing
24/50	8 W	481865A2	-	-40°C to +50°C	F Class 155°C	8
48/50	8 W	481865A4	-	-40°C to +50°C	F Class 155°C	8
110/50	8 W	481865A5	-	-40°C to +50°C	F Class 155°C	8
220-230/50	8 W	4818653D	-	-40°C to +50°C	F Class 155°C	8
380/50	8 W	481865A9	-	-40°C to +50°C	F Class 155°C	8
24/60	8 W	481865B2	-	-40°C to +50°C	F Class 155°C	8
230/60	8 W	481865J3	-	-40°C to +50°C	F Class 155°C	8
115/60	8 W	481865K8	-	-40°C to +50°C	F Class 155°C	8
12 DC	9 W	481865C1	-	-40°C to +50°C	F Class 155°C	8
24 DC	9 W	481865C2	-	-40°C to +50°C	F Class 155°C	8
48 DC	9 W	481865C4	-	-40°C to +50°C	F Class 155°C	8
110V DC	9 W	481865C5	-	-40°C to +50°C	F Class 155°C	8



All dimensions are in mm

Dimensional Drawing N° 8

32 mm Electrical Parts Availability

483510 Series - Standard Bi-Frequency Coil, F Class, IP65

Encapsulated in synthetic material, connector for 2P+E DIN 43650 A Plug, IP65 insulation class to be considered with connector plug only.

This coil conforms to the IEC/CENELEC safety standards and complies with European low-voltage directive 73/23/EC.

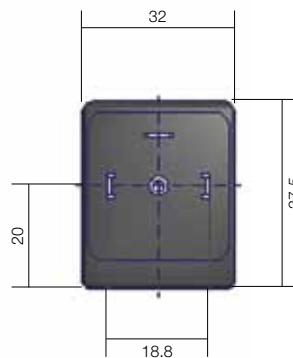
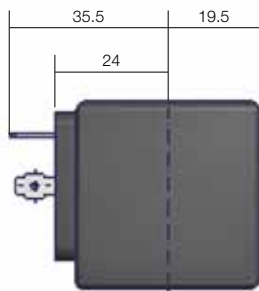
Voltage V	Power Consumption	Reference	Approvals	Ambient Temperature	Class of insulation	Dimensional Drawing
12/50-60	9 W	4835101W	-	-40°C to +50°C	F Class 155°C	8
24/50-60	9 W	483510P0	-	-40°C to +50°C	F Class 155°C	8
48/50-60	9 W	483510S4	-	-40°C to +50°C	F Class 155°C	8
110-115/50 120/60	9 W	483510S5	-	-40°C to +50°C	F Class 155°C	8
220-240/50 240/60	9 W	483510S6	-	-40°C to +50°C	F Class 155°C	8

Voltage

Tolerances: -10% to +10% of the nominal voltage (AC), -5% to +10% of the nominal voltage (DC)

Duty Continuous duty coil (100%ED)

Weight: 130 g (without plug)



All dimensions are in mm

Dimensional Drawing N° 8

Technical Data

Function:	2/2 solenoid valve closed when de-energized.		
Design:	Pilot operated poppet valve with magnalift.		
Mounting:	For direct pipe mounting or with the help of M5x6 mm screw (see dimensions).		
Mounting position:	Indifferent.		
Material specifications:	Forged brass body. Internal parts in stainless steel. Sealing material in PUR.		
Range of admissible pressure drop:	Δp min.	= 0 bar	
	Δp max.	= 7 bar	
Response time (see p. 2):	Conditions: voltage 24 VDC nominal, flow 34 Nm ³ /h. Reference pressure dynamic (orifice 2): 4.5 bar. Response times are increasing above starting from 300 millions cycles.		
Switching on:	TE on: 9.5 - 12 ms Electrical response time until the plunger is in fully attracted position. T on: 10-14 ms Filling time until the pressure has reached 50% of output pressure P2 (own volume of the valve, outlet port plugged.)		
Switching off:	TD off: 4 - 8 ms Closing time until the plunger is in the rest position. T off: 5,5 - 9,5 ms Emptying time until the pressure has dropped to 50% of P2 pressure. This response time is depending on user at the outlet port.		
Cycling rate:	Up to 30 Hz.		
Life expectancy:	> 500 millions cycles Conditions: Instrumentation dried and filtered air at 20 μ m, (dew point +2°C). P max. 5 bar nominal voltage 24 VDC vibrations 5 to 500 Hz.		
Media:	Instrumentation air (dried and unlubricated) filtered at 20 μ m.		
Fluid temperature:	Min. 0°C. Max. + 40°C.		
Ambient temperature:	0°C to +50°C.		
Vibrations:	Up to 1500 Hz, max. shocks 10 g. At max. vibration rating, life expectancy will decrease.		
Electrical part:	32 mm coil 483816 (14W DC) encapsulated in synthetic material. Connection with 3 pin DIN 43650 type A plug connector, degree of protection IP 65.		
Solenoid duty:	Relative duty time: 80% max. for cycle 30 Hz (33ms). 70% max. for cycle 20 Hz (50ms). 55% max. for cycle 10 Hz (100ms). 25% max. for cycle 1 hour (this valve can not work at ED 100%). $x \% = \frac{\text{Energized time}}{\text{Cycle time}} \div 100$		
Housing:	3 possibilities 2994/2995/299560.		
Voltage:	24 V DC.		
Voltage tolerance:	±10%.		
Class of insulation material:	Class F (155 °C).		
Part kit:	Nothing available		
Port Size:	G3/8		
Orifice:	8 mm		
Qmax:	40 Nm ³ / h		
Admissible differential pressure:	0 bar min. 7 bar max.		
Maximum admissible fluid temperature:	40 °C		
References N°:	Valve	221 J 3311	
	Housing	2994	2995 299560
	Coil	483816	
Power consumption:	14 W		
Weight:	360 g		

2 Way Solenoid Valves High Flow

Fast Switching

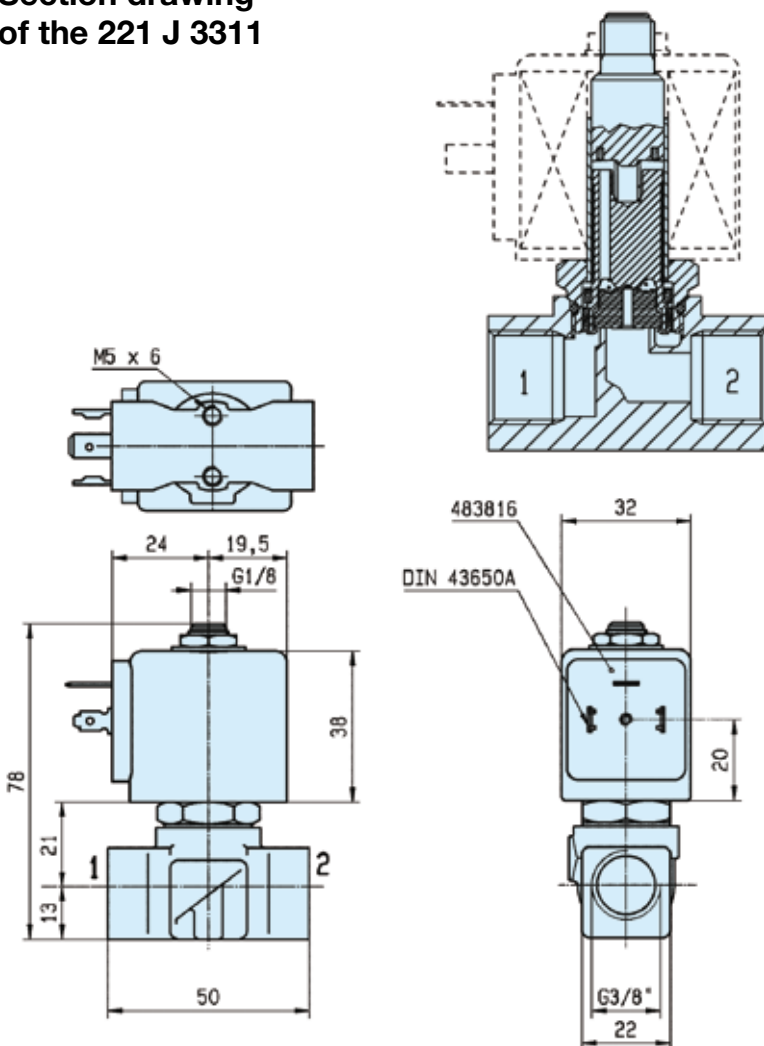
2/2 magnalift solenoid valve used for air control or air pulsing in all applications where extremely short response time and/or long life expectancy are required.

Flow rate up to 40 Nm³/h (subsonic flow only) like: textile weaving looms, printing machines, sorting machines, bank note counting machines.

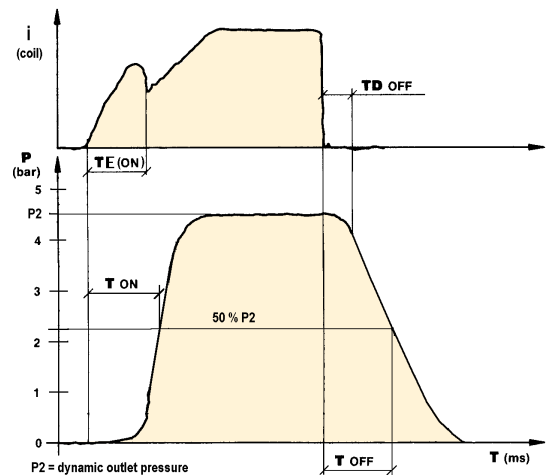
Features

- 2P+E DIN 43650A plug connection
- Degree of protection IP65
- Guide rings assure high life expectancy
- High performance plunger with low residual magnetic effect and long life
- Shock absorber improves life expectancy of the valve
- PUR seat disc provides magnalift effect

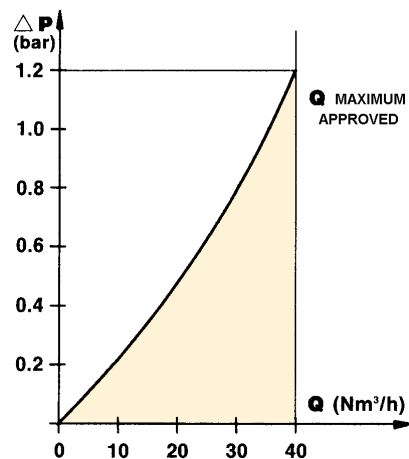
Section drawing of the 221 J 3311



Typical reponse times
 At 20 Hz (40% on)



Flow rate (valve on 100%)



3-Way Solenoid Valve - Direct Acting

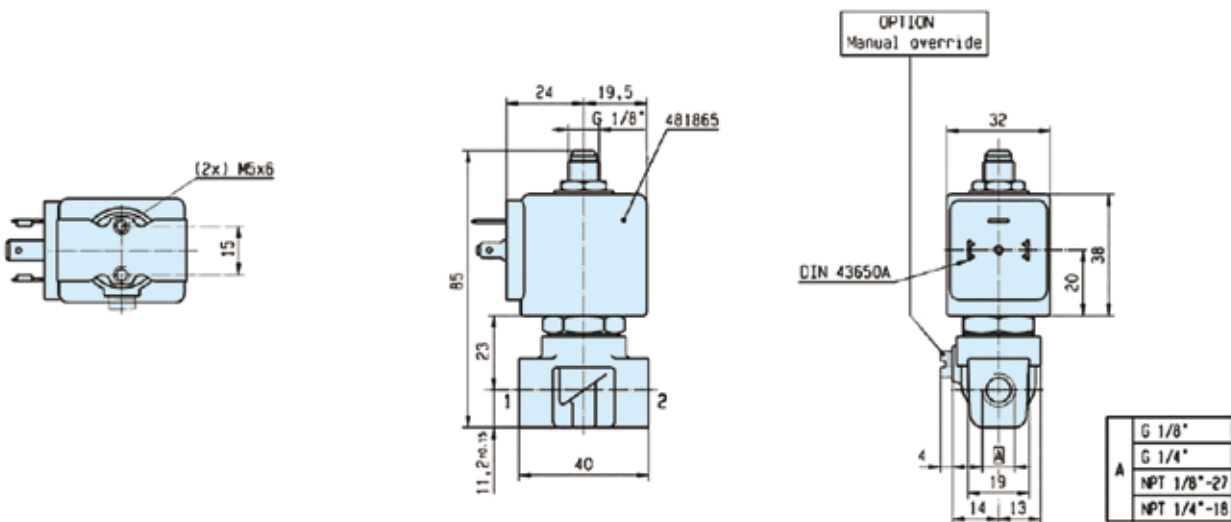
General application valves for dry or lubricated air, neutral gases and liquids



- Description:**
- 3-Way Solenoid Valve - Direct Acting - Normally Closed.
 - Coil IP65 for 2 P + E plug according to DIN 43650 type A.
 - Power Consumption 8W (AC), 9W (DC).
- Applications:**
- This series is used in applications which require actuation and automatic discharge of moving systems.
 - Typical applications can be found in: sterilizers, Cylinder actuation, air compressors, Diesel oil burners, pilot valves, water treatment installations.
- Temperature Range:**
- Min: -10°C | Max: see table
- Seals Material:**
- FKM, PCTFE
- Advantages:**
- Versatile product for many 2/2 NC v alve requiring applications, robust design.

Port size	Orifice	K _v	Admissible differential pressure (bar)		Fluid Temp.	Seal Material	Reference number			Options
			Min.	Max.			Valve	Housing	Coil	
G	mm	l/min			°C					
3-Way Solenoid Valve - Direct Acting - Normally Closed										Normally CLOSED
1/8"	1.5	1.5	0	15	100°C	FKM	E131K14	2995	481865	-
1/8"	2.0	2.5 (3.5)*	0	10	100°C	FKM	131K16	2995	481865	-
1/8"	2.0	2.5 (3.5)*	0	10	100°C	FKM	131K1650	2995	481865	**
1/8"	2.5	3.5	0	7	100°C	FKM	E131K13	2995	481865	-
1/4"	0.8	0.3	0	40	75°C	PCTFE	131K05	2995	481865	-
1/4"	1.5	1.5	0	15	100°C	FKM	E131K04	2995	481865	-
1/4"	1.5	1.5	0	15	100°C	FKM	E131K0450	2995	481865	**
1/4"	2.0	2.5 (3.5)*	0	10	100°C	FKM	E131K06	2995	481865	-
1/4"	2.0	2.5 (3.5)*	0	10	100°C	FKM	E131K0650	2995	481865	**
1/4"	2.5	3.5	0	7	100°C	FKM	E131K03	2995	481865	-
1/4"	2.5	3.5	0	7	100°C	FKM	E131K0350	2995	481865	**

* Kv for Exhaust side
 ** Manual override standard



Please consult the "How to Order" part at the end of each coil chapter.

Valves for Pneumatic Actuator Control

NAMUR Interfaces 1/4" & 1/2"

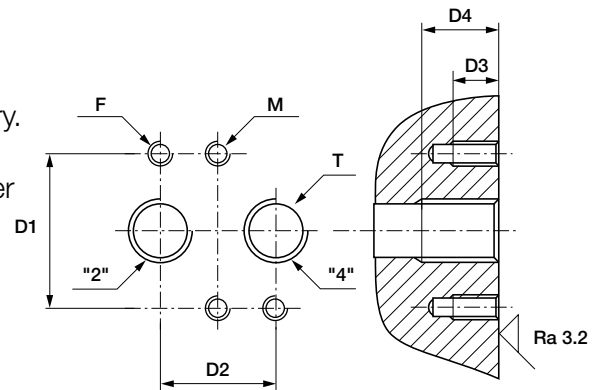
NAMUR + piped versions in safe or dangerous areas.

The interface design conforms to the NAMUR standard and to the VDI/VDE 3845 recommendations of the actuator industry. It allows a compact design of the actuator/valve unit.

In case of a 3/2 function, the air of the actuator spring chamber also flows through the pilot valve (re-breather function).

This prevents corrosion of the actuator springs.

F	T	D1 mm	D2 mm	D3 mm	D4 min. mm	M
M5	1/4	32	24	8	12	M5
M6	1/2	45	40	10	16	M6



F: 2 mounting holes - T: 2 actuators control port - M: 2 holes for dowel pins

- High flow: 1.250 l/min (1/4"), 3.000 l/min (1/2")
- Compact design
- Long life expectancy
- N3x & P3x Series compatible with any Parker Lucifer coil (ATEX or not) of electrical group 2 (8/9 W coils)

- Fail safe standard
- Reduced inventory (3/2 & 5/2 functions with the same valve on 341Nx5 series)
- Mechanical part of the valve ATEX certified according standard EN 13463-1 & -5

General Information

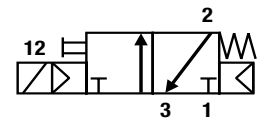
Function:	3/2, 5/2, 3/2 <=> 5/2 and 5/3 valves.
Manual override:	Standard on all versions.
Design:	Nxx & Pxx Series: Solenoid operated spool valve with combined spring and air return & external air pressure operated versions. B0x Series: Solenoid direct acting valve with spring return.
Mounting:	Nxx Series: For direct mounting on NAMUR interface 1/4" & 1/2" Pxx Series: Piped valves G1/4" & G1/2" Bxx Series: Equipped with a banjo bolt G1/8" or G1/4"
Mounting position:	Indifferent.
Material specifications:	Aluminium body. Internal parts of stainless steel. Sealing material from NBR.
Range of admissible pressure drop:	Δp min. = see table. Δp max. = 10 bar.
Media:	Dry or lubricated air.
Fluid temperature:	Min. 0°C Max. + 50°C
Ambient temperature:	-20°C to +50°C
Electrical part:	N0x / P0x / Bxx Series are compatible with 22 mm coil 496131 / 496482 / 496637 size N3x / P3x Series are compatible with 32/37/40 mm coils part of electrical group 2 (8/9W), including 481865 / 495870 / 495905 Series / N3x90 Series are compatible with coils from electrical group 6,7,8 including coil 495900,495910,483580.
Solenoid duty:	100% ED.
Voltage:	481865 coil: 12 VDC , 24 VDC , 48 VDC , 110VDC, 24 V / 50 AC, 48 V / 50 AC, 110 V / 50 AC, 220-230V/50 AC, 115 V / 60 Hz AC, 230 V / 60 AC.
Voltage tolerance:	\pm 10% of nominal for 481865 coil.
Class of insulation material:	Class F for 481865 coil.
Standards:	Mechanical ATEX conform to EN 13463-1 & -5.

Banjo Valves - G1/4" & G1/8" Series

Solenoid Operated Versions B14-B04 Versions with 22 mm Coil

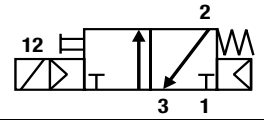
Port size	Orifice	Q _N	Admissible differential pressure (bar)		Max. admissible fluid temperature (°C)		Seat disc	Reference number			Consumption Power (Watt)		Weight (g)	Dimensions Reference
			max.	AC~	min. = 0°C	Air & Neutral gases		Valve	Housing	Coil	DC	AC		

3/2 Solenoid operated - Spring return (monostable)



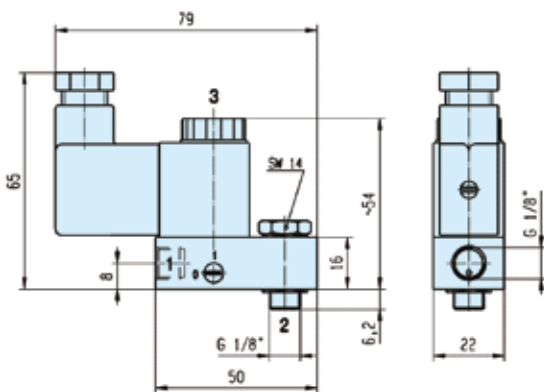
1/8	1.2	50	0	10	10	50	NBR	131B14	-	496131	3	3	140	26
1/8	1.2	50	0	10	10	50	NBR	131B14	-	496482	3	3	140	26
1/8	1.2	50	0	10	10	50	NBR	131B14	-	496637	3	3	140	26

3/2 Solenoid operated - Spring return (monostable)

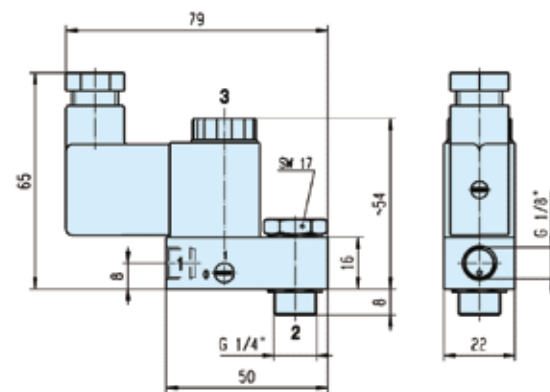


1/4	1.2	50	0	10	10	50	NBR	131B04	-	496131	3	3	160	27
1/4	1.2	50	0	10	10	50	NBR	131B04	-	496482	3	3	160	27
1/4	1.2	50	0	10	10	50	NBR	131B04	-	496637	3	3	160	27

Dimensions Reference 26



Dimensions Reference 27



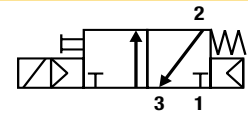
Please consult the "How to Order" part at the end of each coil chapter.

NAMUR Valves G1/4" Series

Solenoid Operated Versions N03-N05 Series with 22 mm Coil

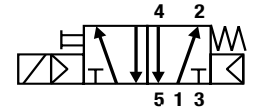
Port size	Orifice	Q _N	Admissible differential pressure (bar)		Max. admissible fluid temperature (°C)		Seat disc	Reference number			Consumption Power (Watt)		Weight (g)	Dimensions Reference
			max.	min.	DC=	AC~		Air & Neutral gases	Valve	Housing	Coil	DC		
G	mm	l/min	min	DC=	AC~	Air & Neutral gases	Valve	Housing	Coil	DC	AC			

3/2 Solenoid operated - Combined spring & air return (monostable)



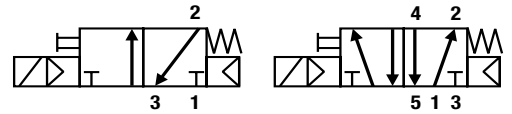
1/4	7	1250	2.5	10	10	50	NBR	331N03	-	496131	3	3	300	1
1/4	7	1250	2.5	10	10	50	NBR	331N03	-	496482	3	3	300	1
1/4	7	1250	2.5	10	10	50	NBR	331N03	-	496637	3	3	300	1

5/2 Solenoid operated - Combined spring & air return (monostable)



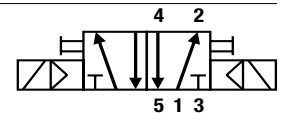
1/4	7	1250	2.5	10	10	50	NBR	341N03	-	496131	3	3	300	2
1/4	7	1250	2.5	10	10	50	NBR	341N03	-	496482	3	3	300	2
1/4	7	1250	2.5	10	10	50	NBR	341N03	-	496637	3	3	300	2

3/2 <=> 5/2 with conversion plate - Solenoid operated Combined spring & air return (monostable)



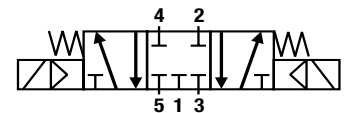
1/4	7	1250	2.5	10	10	50	NBR	341N05	-	496131	3	3	310	3
1/4	7	1250	2.5	10	10	50	NBR	341N05	-	496482	3	3	310	3
1/4	7	1250	2.5	10	10	50	NBR	341N05	-	496637	3	3	310	3
1/4	7	1250	2.5	10	10	50	NBR	341N0502*	-	496131	3	3	310	3
1/4	7	1250	2.5	10	10	50	NBR	341N0502*	-	496482	3	3	310	3
1/4	7	1250	2.5	10	10	50	NBR	341N0502*	-	496637	3	3	310	3

5/2 Solenoid operated and return (bistable)



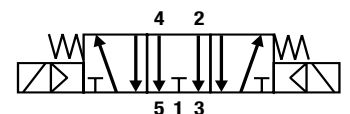
1/4	7	1250	2.5	10	10	50	NBR	347N03	-	496131	3	3	430	4
1/4	7	1250	2.5	10	10	50	NBR	347N03	-	496482	3	3	430	4
1/4	7	1250	2.5	10	10	50	NBR	347N03	-	496637	3	3	430	4

5/3 W1 closed in center position - Solenoid operated and return



1/4	7	1250	2.5	10	10	50	NBR	342N03	-	496131	3	3	430	4
1/4	7	1250	2.5	10	10	50	NBR	342N03	-	496482	3	3	430	4
1/4	7	1250	2.5	10	10	50	NBR	342N03	-	496637	3	3	430	4

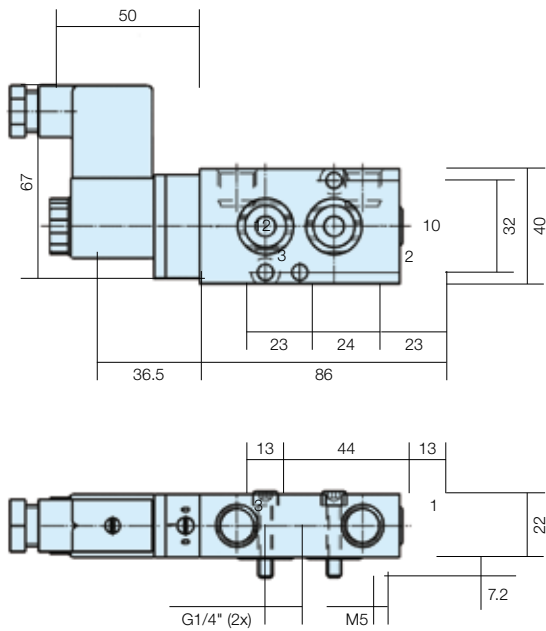
5/3 W3 exhausted in center position Solenoid operated and return



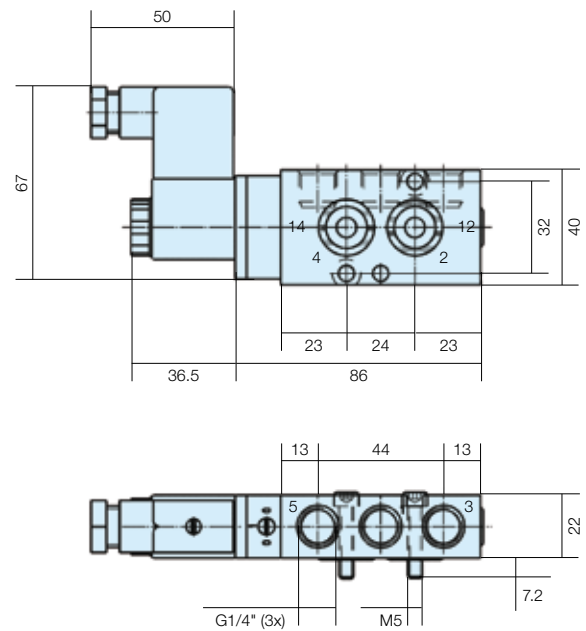
1/4	7	1250	2.5	10	10	50	NBR	343N03	-	496131	3	3	430	4
-----	---	------	-----	----	----	----	-----	---------------	---	---------------	---	---	-----	---

Please consult the "How to Order" part at the end of each coil chapter.

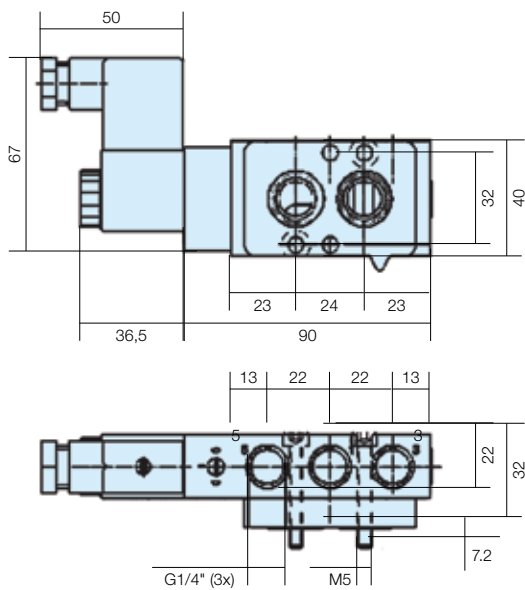
Dimensions Reference 1



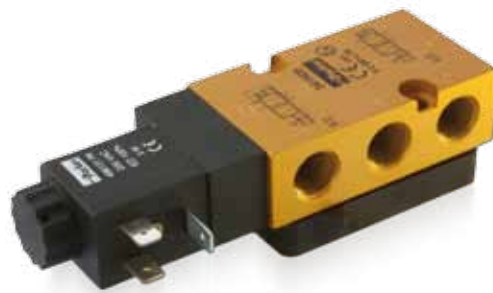
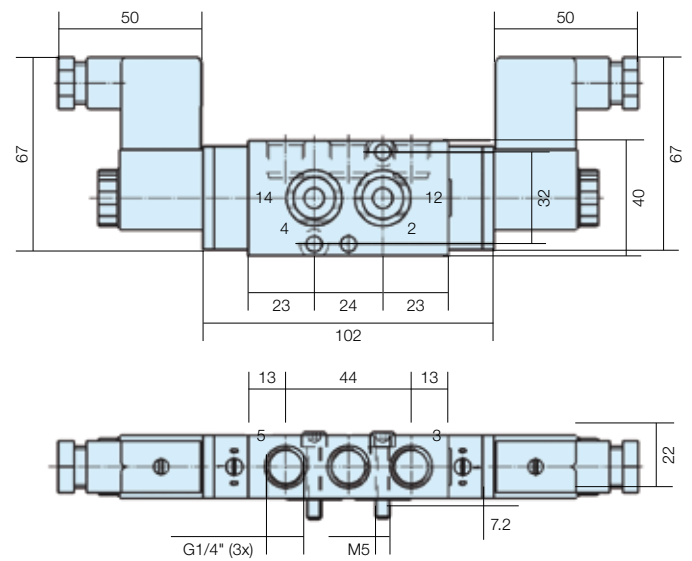
Dimensions Reference 2



Dimensions Reference 3



Dimensions Reference 4



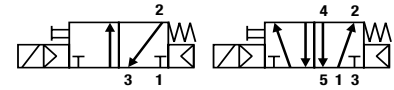
Please consult the "How to Order" part at the end of each coil chapter.

NAMUR Valves G1/4" Series

Solenoid Operated Versions N33-N35 Series with 32 / 37 / 40 mm Coil

Port size	Orifice	Q _N	Admissible differential pressure (bar)			Maximum admissible fluid temperature (°C)		Seat disc	Reference number			Consumption Power (Watt)		Weight (g)	Elect. Group	Dim. Ref.
			maximum	DC=	AC~	Air & Neutral gases	Valve		Housing	Coil	DC	AC				
G	mm	l/min	min	DC=	AC~	Air & Neutral gases										

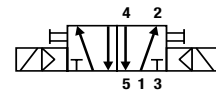
3/2 <=> 5/2 with conversion plate - Solenoid operated Combined spring & air return (monostable)



1/4	7	1250	2.5	10	10	50	NBR	341N35	2995	481865	9	8	480	2	5
1/4	7	1250	2.5	10	10	50	NBR	341N35	2995	495870	9	8	700	2	-
1/4	7	1250	2.5	10	10	50	NBR	341N35	-	495905	8	8	740	2	-
1/4	7	1250	2.5	10	10	50	NBR	341N3502*	2995	481865	9	8	480	2	5
1/4	7	1250	2.5	10	10	50	NBR	341N3502*	2995	495870	9	8	700	2	-
1/4	7	1250	2.5	10	10	50	NBR	341N3502*	-	495905	8	8	740	2	-
1/4	7	1250	2.5	10	10	50	NBR	341N3590*	-	483580	0.5-3	-	560	7	5
1/4	7	1250	2.5	10	10	50	NBR	341N3590*	-	495910	0.3-3	-	920	8	-
1/4	7	1250	2.5	10	10	50	NBR	341N3590*	-	495900	2	2,5	920	6	-

* Valves without manual override

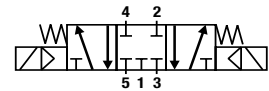
5/2 Solenoid operated and return



1/4	7	1250	2.5	10	10	50	NBR	347N33	2995	481865	9	8	750	2	6
1/4	7	1250	2.5	10	10	50	NBR	347N33	2995	495870	9	8	1190	2	-
1/4	7	1250	2.5	10	10	50	NBR	347N33	-	495905	8	8	1270	2	-
1/4	7	1250	2.5	10	10	50	NBR	347N3390*	-	483580	0.5-3	-	700	7	6
1/4	7	1250	2.5	10	10	50	NBR	347N3390*	-	495910	0.3-3	-	1420	8	-
1/4	7	1250	2.5	10	10	50	NBR	347N3390*	-	495900	2	2,5	1420	6	-

* Valves without manual override

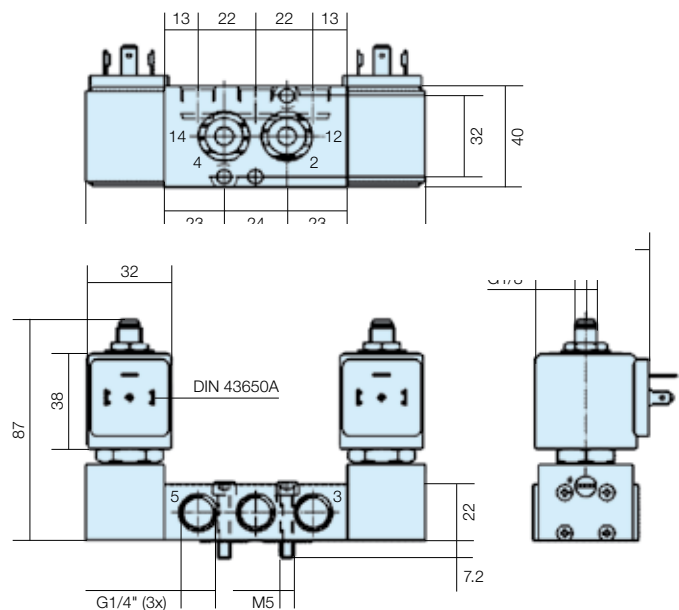
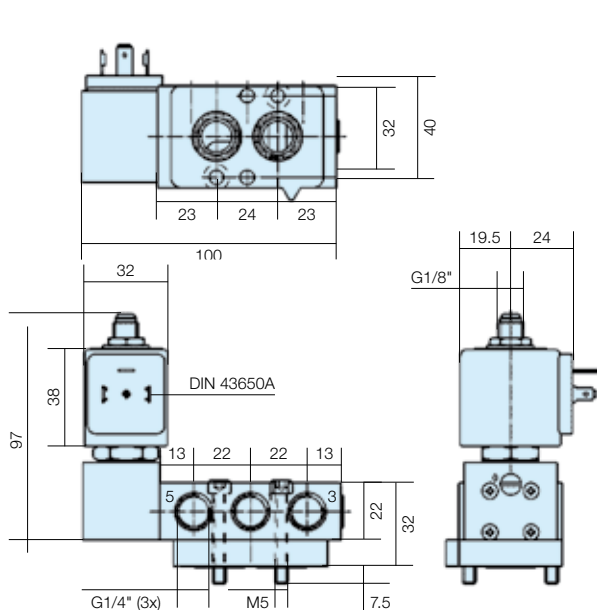
5/3 W1 Closed in center position Solenoid operated and return



1/4	7	1250	2.5	10	10	50	NBR	342N33	2995	481865	9	8	750	2	6
1/4	7	1250	2.5	10	10	50	NBR	342N33	2995	495870	9	8	1190	2	-
1/4	7	1250	2.5	10	10	50	NBR	342N33	-	495905	8	8	1270	2	-

Dimensions Reference 5

Dimensions Reference 6

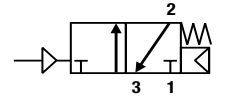


NAMUR Valves G1/4" Series

External Pressure Air Operated Series 5xx N03 Series

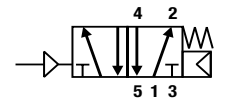
Port size	Orifice	Q _n	Admissible differential pressure (bar)		Maximum admissible fluid temperature (°C)		Seat disc	Reference number			Consumption Power (Watt)		Weight (g)	Elect. Group	Dim. Ref.
			maximum	DC= AC~	minimum	DC= AC~		Air & Neutral gases	Valve	Housing	Coil	DC			
G	mm	l/min	min	DC= AC~	min	DC= AC~	Air & Neutral gases	Valve	Housing	Coil	DC	AC			

**3/2 External pressure air operated
Combined spring & air return (monostable)
External pressure supply 2.5 to 10 bar**



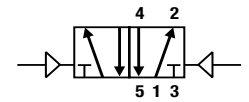
1/4	7	1250	2.5	10	10	50	NBR	531N03	-	w/o	-	-	210	-	7
-----	---	------	-----	----	----	----	-----	---------------	---	-----	---	---	-----	---	---

**5/2 External pressure air operated
Combined spring & air return (monostable)
External pressure supply 2.5 to 10 bar**



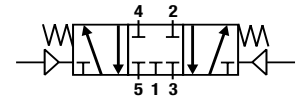
1/4	7	1250	2.5	10	10	50	NBR	541N03	-	w/o	-	-	210	-	8
-----	---	------	-----	----	----	----	-----	---------------	---	-----	---	---	-----	---	---

**5/2 External pressure air operated
External pressure air return (bistable)
External pressure supply 2.5 to 10 bar**



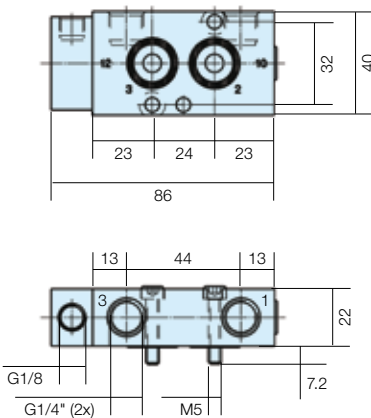
1/4	7	1250	2.5	10	10	50	NBR	547N03	-	w/o	-	-	240	-	9
-----	---	------	-----	----	----	----	-----	---------------	---	-----	---	---	-----	---	---

**5/3 W1 closed in center position - External pressure air operated
External pressure air return
External pressure supply 2.5 to 10 bar**

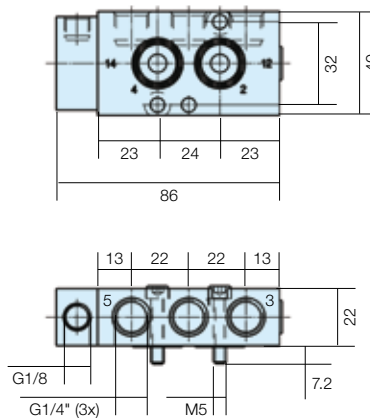


1/4	7	1250	2.5	10	10	50	NBR	542N03	-	w/o	-	-	240	-	9
-----	---	------	-----	----	----	----	-----	---------------	---	-----	---	---	-----	---	---

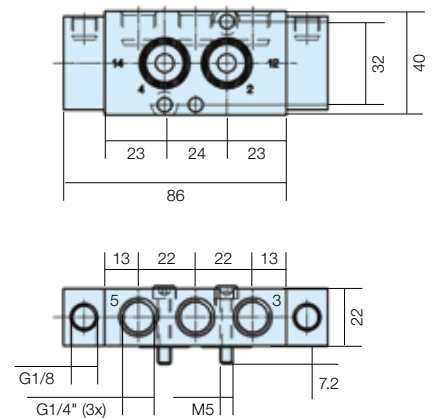
Dimensions Reference 7



Dimensions Reference 8



Dimensions Reference 9

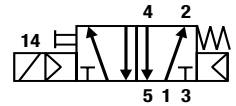


NAMUR Valves G1/2" Series

Solenoid Operated Versions N04 Versions with 22 mm Coil

Port size	Orifice	Q _N	Admissible differential pressure (bar)		Maximum admissible fluid temperature (°C)	Seat disc	Reference number		Consumption Power (Watt)		Weight (g)	Elect. Group	Dim. Ref.
			maximum	maximum			Valve	Housing	Coil	DC			
G	mm	l/min	min	DC= AC~	Air & Neutral gases								

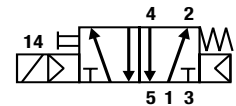
3/2 Solenoid operated Combined spring & air return (monostable)



1/2	12	3000	2.5	10	10	50	NBR	331N04	-	496131	3	3	910	-	10
1/2	12	3000	2.5	10	10	50	NBR	331N04	-	496482	3	3	925	-	10
1/2	12	3000	2.5	10	10	50	NBR	331N04	-	496637	3	3	925	-	10
1/2	12	3000	2.5	10	10	50	NBR	331N0402*	-	496131	3	3	910	-	10
1/2	12	3000	2.5	10	10	50	NBR	331N0402*	-	496482	3	3	925	-	10
1/2	12	3000	2.5	10	10	50	NBR	331N0402*	-	496637	3	3	925	-	10

* Valves without manual override

5/2 Solenoid operated Combined spring & air return (monostable)



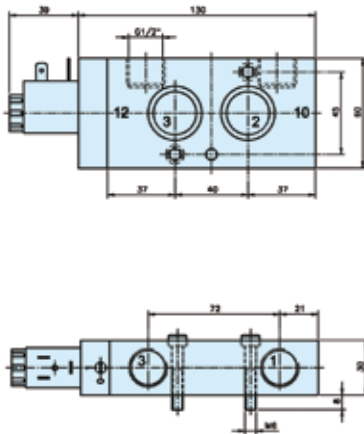
1/2	12	3000	2.5	10	10	50	NBR	341N04	-	496131	3	3	910	-	11
1/2	12	3000	2.5	10	10	50	NBR	341N04	-	496482	3	3	925	-	11
1/2	12	3000	2.5	10	10	50	NBR	341N04	-	496637	3	3	925	-	11

5/2 Solenoid operated and return (bistable)

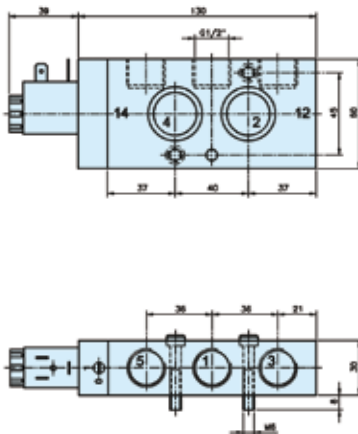


1/2	12	3000	2.5	10	10	50	NBR	347N04	-	496131	3	3	1240	-	12
1/2	12	3000	2.5	10	10	50	NBR	347N04	-	496482	3	3	1255	-	12
1/2	12	3000	2.5	10	10	50	NBR	347N04	-	496637	3	3	1255	-	12

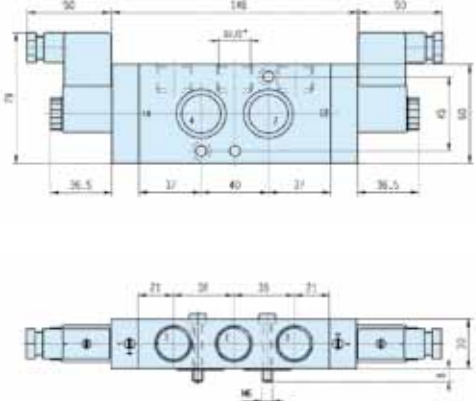
Dimensions Reference 10



Dimensions Reference 11



Dimensions Reference 12



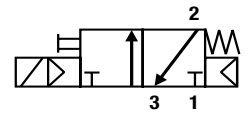
Please consult the "How to Order" part at the end of each coil chapter.

NAMUR Valves G1/2" Series

Solenoid Operated Versions N34 Series with 32 / 37 / 40 mm Coil

Port size	Orifice	Q _N	Admissible differential pressure (bar) maximum		Maximum admissible fluid temperature (°C)		Seat disc	Reference number		Consumption Power (Watt)		Weight (g)	Elect. Group	Dim. Ref.
			min	DC= AC~	Air & Neutral gases	Valve		Housing	Coil	DC	AC			

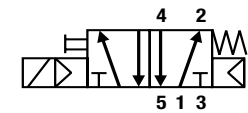
3/2 Solenoid operated Combined spring & air return (monostable)



1/2	12	3000	2.5	10	10	50	NBR	331N34	2995	481865	9	8	810	2	13
1/2	12	3000	2.5	10	10	50	NBR	331N34	2995	495870	9	8	830	2	-
1/2	12	3000	2.5	10	10	50	NBR	331N34	-	495905	8	8	1150	2	-
1/2	12	3000	2.5	10	10	50	NBR	331N3402*	2995	481865	9	8	810	2	13
1/2	12	3000	2.5	10	10	50	NBR	331N3402*	2995	495870	9	8	830	2	-
1/2	12	3000	2.5	10	10	50	NBR	331N3402*	-	495905	8	8	1150	2	-

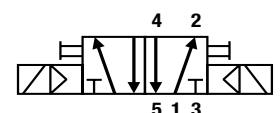
* Valves without manual override

5/2 Solenoid operated Combined spring & air return (monostable)



1/2	12	3000	2.5	10	10	50	NBR	341N34	2995	481865	9	8	800	2	14
1/2	12	3000	2.5	10	10	50	NBR	341N34	2995	495870	9	8	820	2	-
1/2	12	3000	2.5	10	10	50	NBR	341N34	-	495905	8	8	1140	2	-

5/2 Solenoid operated and return (bistable)

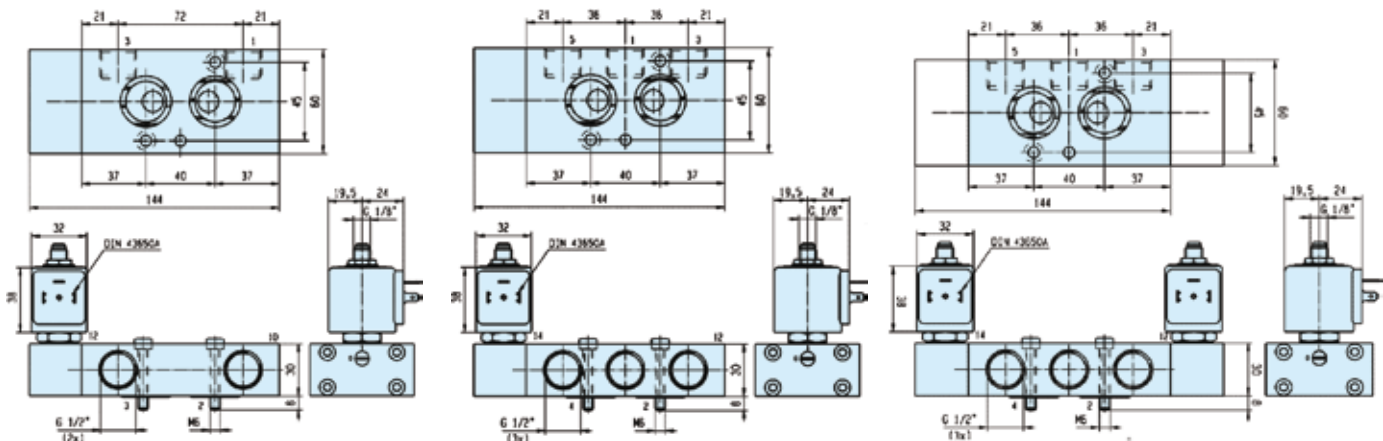


1/2	12	3000	2.5	10	10	50	NBR	347N34	2995	481865	9	8	960	2	15
1/2	12	3000	2.5	10	10	50	NBR	347N34	2995	495870	9	8	1000	2	-
1/2	12	3000	2.5	10	10	50	NBR	347N34	-	495905	8	8	1640	2	-

Dimensions Reference 13

Dimensions Reference 14

Dimensions Reference 15



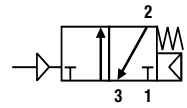
Please consult the "How to Order" part at the end of each coil chapter.

NAMUR Valves G1/2" Series

External Pressure Air Operated Series 5 xx N04 Series

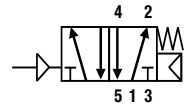
Port size	Orifice	Q _N	Admissible differential pressure (bar)		Maximum admissible fluid temperature (°C)		Seat disc	Reference number			Consumption Power (Watt)		Weight (g)	Elect. Group	Dim. Ref.
			maximum	DC= AC~	Air & Neutral gases	minimum = 0°C		Valve	Housing	Coil	DC	AC			
G	mm	l/min	min	DC= AC~	Air & Neutral gases	minimum = 0°C		Valve	Housing	Coil	DC	AC			

3/2 External pressure air operated Combined spring & air return (monostable) External pressure supply 2.5 to 10 bar



1/2	12	3000	2.5	10	10	50	NBR	531N04	-	w/o	-	-	620	-	16
-----	----	------	-----	----	----	----	-----	--------	---	-----	---	---	-----	---	----

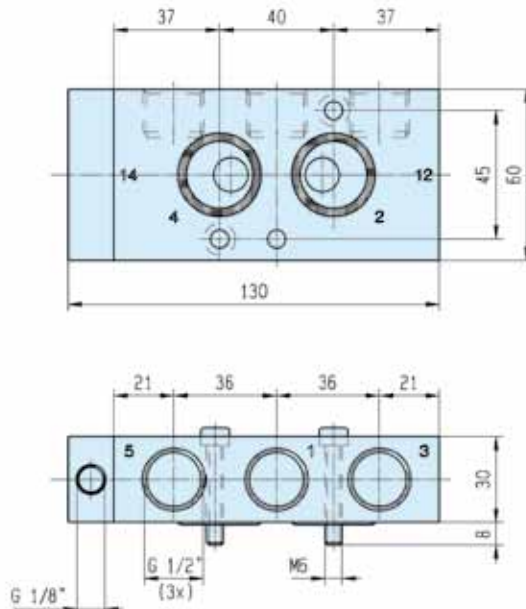
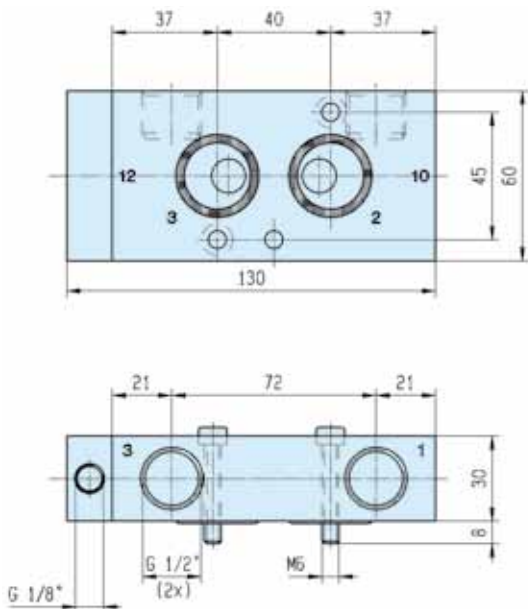
5/2 External pressure air operated Combined spring & air return (monostable) External pressure supply 2.5 to 10 bar



1/2	12	3000	2.5	10	10	50	NBR	541N04	-	w/o	-	-	600	-	17
-----	----	------	-----	----	----	----	-----	--------	---	-----	---	---	-----	---	----

Dimensions Reference 16

Dimensions Reference 17



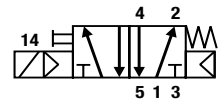
Please consult the "How to Order" part at the end of each coil chapter.

Piped Valves - G1/4" Series

Solenoid Operated Versions P03 Versions with 22 mm Coil

Port size	Orifice	Q _N	Admissible differential pressure (bar) maximum		Maximum admissible fluid temperature (°C)		Seat disc	Reference number			Consumption Power (Watt)		Weight (g)	Elect. Group	Dim. Ref.
			min	DC= AC~	Air & Neutral gases	Valve		Housing	Coil	DC	AC				
G	mm	l/min	min	DC= AC~	Air & Neutral gases			Valve	Housing	Coil	DC	AC			

5/2 Solenoid operated Combined spring & air return (monostable)



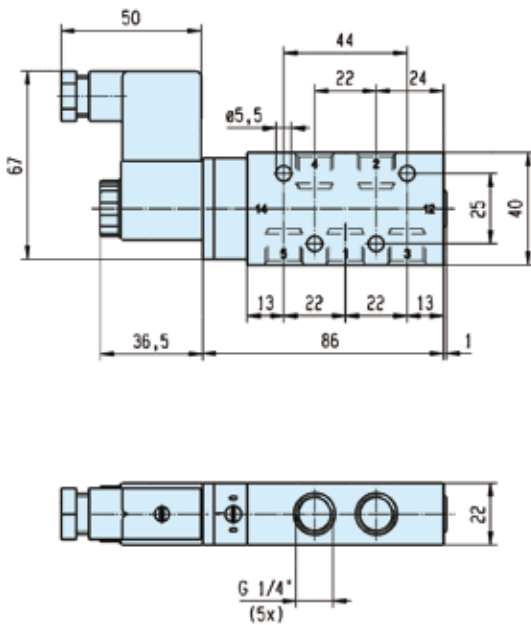
1/4	7	1250	2.5	10	10	50	NBR	341P03	-	496131	3	3	250	-	18
1/4	7	1250	2.5	10	10	50	NBR	341P03	-	496482	3	3	250	-	18
1/4	7	1250	2.5	10	10	50	NBR	341P03	-	496637	3	3	250	-	18

5/2 Solenoid operated and return (bistable)

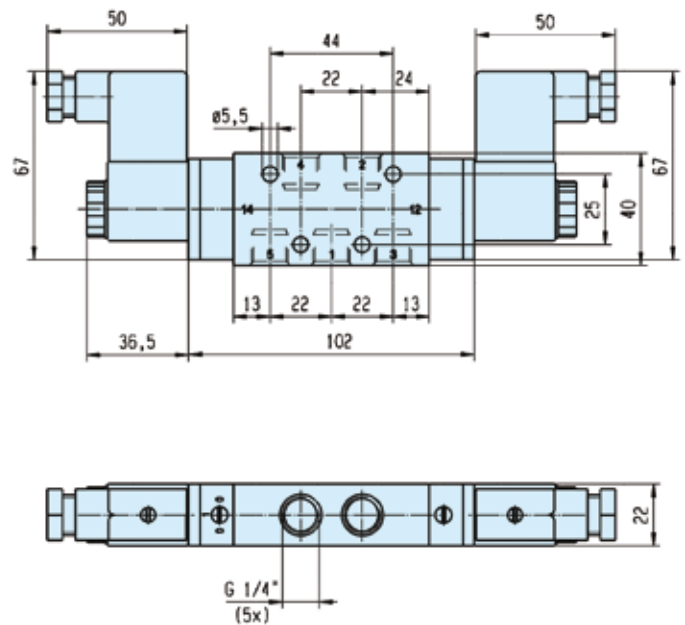


1/4	7	1250	2.5	10	10	50	NBR	347P03	-	496131	3	3	350	-	19
1/4	7	1250	2.5	10	10	50	NBR	347P03	-	496482	3	3	350	-	19
1/4	7	1250	2.5	10	10	50	NBR	347P03	-	496637	3	3	350	-	19

Dimensions Reference 18



Dimensions Reference 19



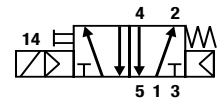
Please consult the "How to Order" part at the end of each coil chapter.

Piped Valves - G1/4" Series

Solenoid Operated Versions P33 Versions with 32-37-40 mm Coil

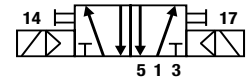
Port size	Orifice	Q _N	Admissible differential pressure (bar) maximum		Maximum admissible fluid temperature (°C)		Seat disc	Reference number			Consumption Power (Watt)		Weight (g)	Elect. Group	Dim. Ref.
			min	DC= AC~	Air & Neutral gases	Valve		Housing	Coil	DC	AC				
G	mm	l/min	min	DC= AC~	Air & Neutral gases		Valve	Housing	Coil	DC	AC				

5/2 Solenoid operated Combined spring & air return (monostable)



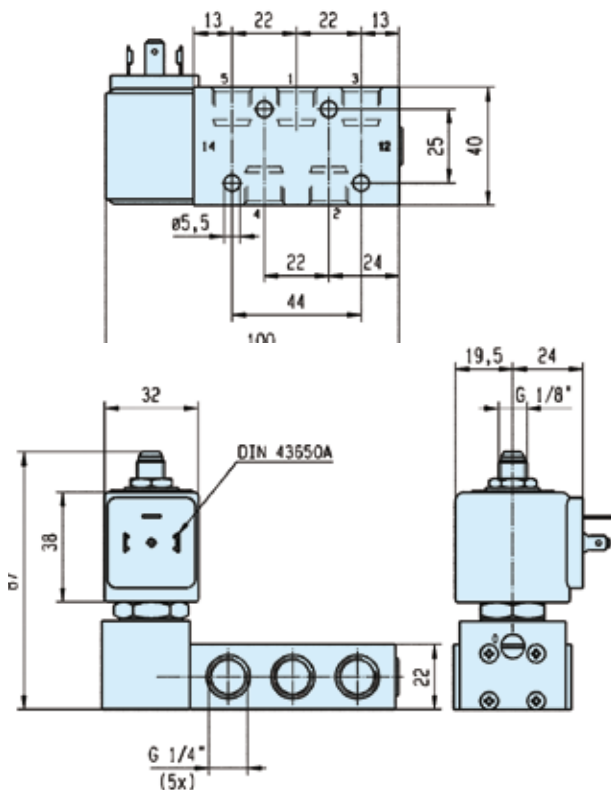
1/4	7	1250	2.5	10	10	50	NBR	341P33	2995	481865	9	8	470	2	20
1/4	7	1250	2.5	10	10	50	NBR	341P33	2995	495870	9	8	490	2	-
1/4	7	1250	2.5	10	10	50	NBR	341P33	-	495905	8	8	810	2	-

5/2 Solenoid operated and return (bistable)

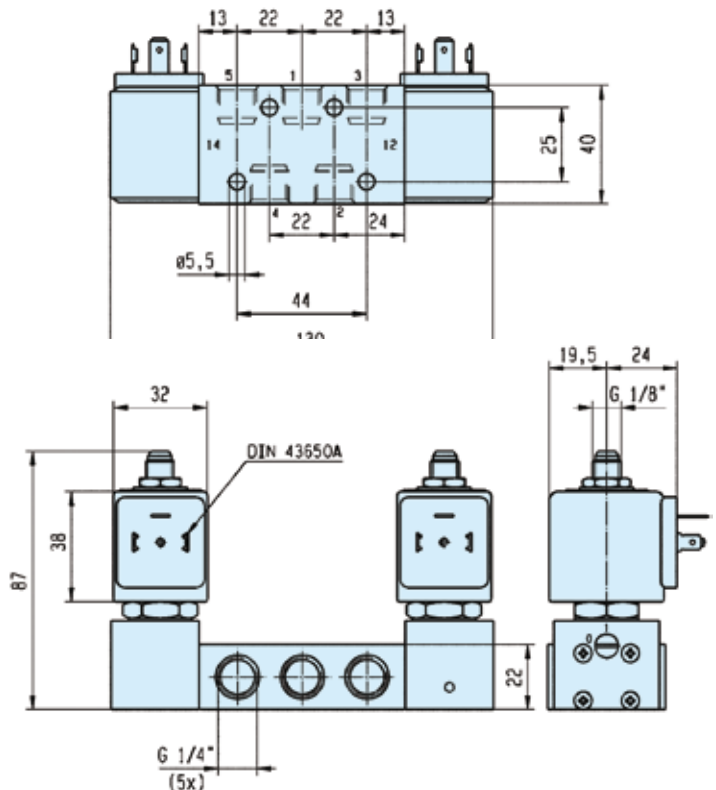


1/4	7	1250	2.5	10	10	50	NBR	347P33	2995	481865	9	8	620	2	21
1/4	7	1250	2.5	10	10	50	NBR	347P33	2995	495870	9	8	640	2	-
1/4	7	1250	2.5	10	10	50	NBR	347P33	-	495905	8	8	960	2	-

Dimensions Reference 20



Dimensions Reference 21

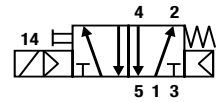


Piped Valves - G1/2" Series

Solenoid Operated Versions P04 Versions with 22 mm Coil

Port size	Orifice	Q _N	Admissible differential pressure (bar) maximum		Maximum admissible fluid temperature (°C)		Seat disc	Reference number			Consumption Power (Watt)		Weight (g)	Elect. Group	Dim. Ref.
			min	DC= AC~	Air & Neutral gases	Valve		Housing	Coil	DC	AC				
G	mm	l/min	min	DC= AC~	Air & Neutral gases			Valve	Housing	Coil	DC	AC			

5/2 Solenoid operated Combined spring & air return (monostable)



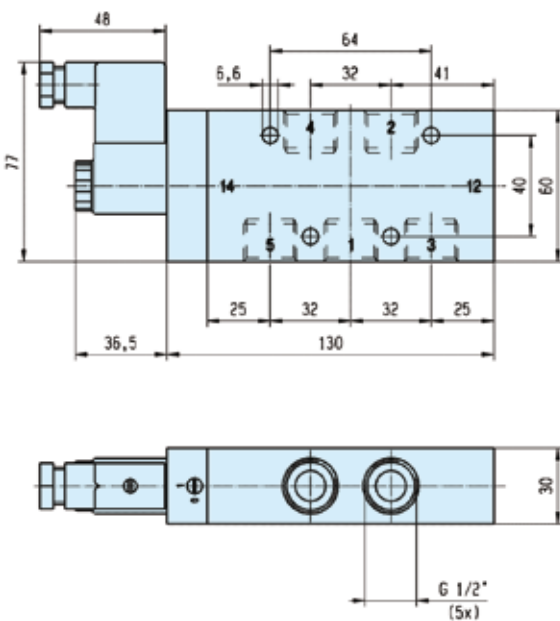
1/2	12	3000	2.5	10	10	50	NBR	341P04	-	496131	3	3	670	-	22
1/2	12	3000	2.5	10	10	50	NBR	341P04	-	496482	3	3	670	-	22
1/2	12	3000	2.5	10	10	50	NBR	341P04	-	496637	3	3	670	-	22

5/2 Solenoid operated and return (bistable)

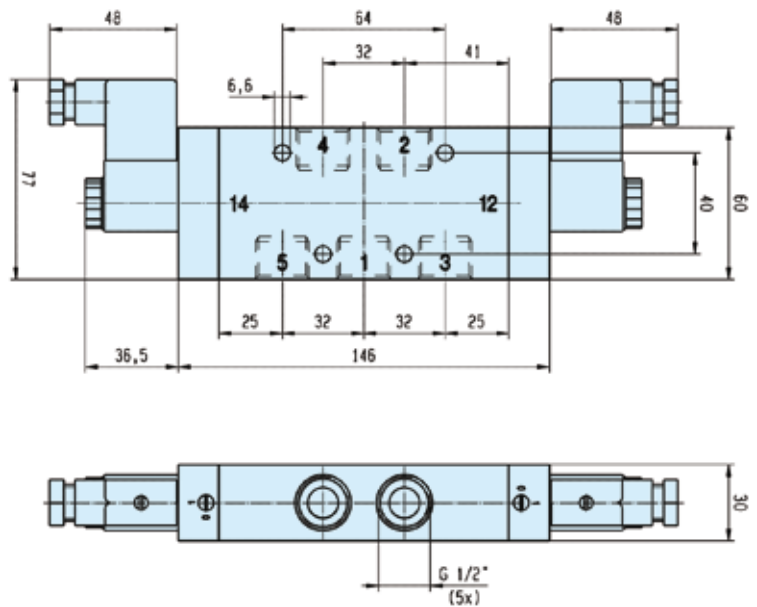


1/2	12	3000	2.5	10	10	50	NBR	347P04	-	496131	3	3	840	-	23
1/2	12	3000	2.5	10	10	50	NBR	347P04	-	496482	3	3	840	-	23
1/2	12	3000	2.5	10	10	50	NBR	347P04	-	496637	3	3	840	-	23

Dimensions Reference 22



Dimensions Reference 23



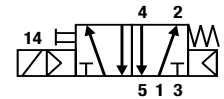
Please consult the "How to Order" part at the end of each coil chapter.

Piped Valves - G1/2" Series

Solenoid Operated Versions P34 Versions with 32/37/40 mm Coil

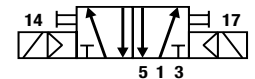
Port size	Orifice	Q _n	Admissible differential pressure (bar)			Maximum admissible fluid temperature (°C)		Seat disc	Reference number			Consumption Power (Watt)		Weight (g)	Elect. Group	Dim. Ref.
			maximum	DC=	AC~	Air & Neutral gases	Valve		Housing	Coil	DC	AC				

5/2 Solenoid operated Combined spring & air return (monostable)



1/2	12	3000	2.5	10	10	50	NBR	341P34	2995	481865	9	8	900	2	24
1/2	12	3000	2.5	10	10	50	NBR	341P34	2995	495870	9	8	920	2	-
1/2	12	3000	2.5	10	10	50	NBR	341P34	-	495905	8	8	1240	2	-

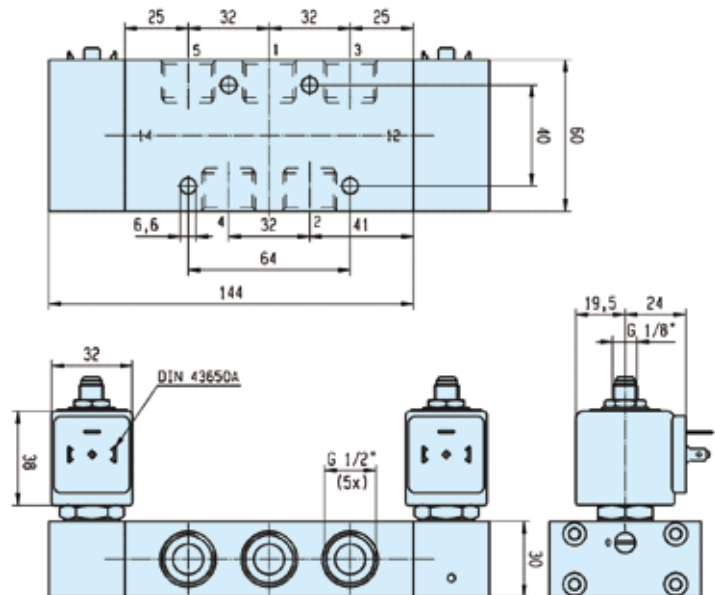
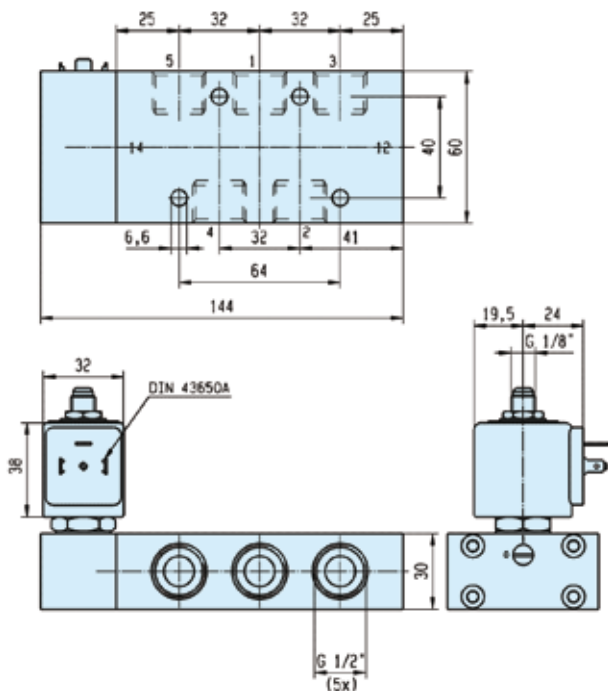
5/2 Solenoid operated and return (bistable)



1/2	12	3000	2.5	10	10	50	NBR	347P34	2995	481865	9	8	1240	2	25
1/2	12	3000	2.5	10	10	50	NBR	347P34	2995	495870	9	8	1280	2	-
1/2	12	3000	2.5	10	10	50	NBR	347P34	-	495905	8	8	2080	2	-

Dimensions Reference 24

Dimensions Reference 25



Please consult the "How to Order" part at the end of each coil chapter.


Coils and Spare Parts Informations

Coils 22 mm for N03-N05 Series

Safe Area & ATEX Zone 22

Ref. 496131 / 496482 / 496637

These coils with connection for 2 P+G DIN 43650 B plug are encapsulated in synthetic material, conform to the IEC/CENELEC safety standards and comply with European low voltage directive 73/23/EC .

- Power: 3W
 - Insulation Class: F (155°C)
 - Degree of Protection: IP65 (with plug)
 - Duty Cycle: 100% ED
 - Ambient Temperature: -10°C to 50°C
- 3 different types are available:**
- Ref. 496131 for a safe area without plug
 - Ref. 496482 for a safe area with plug
 - Ref. 496637 for an ATEX area Zone 22 

496637 coil series with connection 2P + G when mounted together with the supplied Pg9 plug (delivered with the coil) are suitable for use in dangerous areas (dust Zone 22) according to the European directive ATEX 94/9/C. Protection mode: Ex tD A22 IP65 - T95°C

Available Voltages	Safe area without DIN plug Order Code	Safe area with DIN plug Order Code	ATEX Zone 22 EX II 3D Order Code
12 VDC	496131 C1	496482 C1	496637 C1
24 VDC	496131 C2	496482 C2	496637 C2
48 VDC	496131 C4	496482 C4	496637 C4
110 VDC	496131 C5	496482 C5	496637 C5
24/50-60 VAC	496131 P0	496482 P0	496637 P0
48/50-60 VAC	496131 S4	496482 S4	496637 S4
110/50-60 VAC	496131 P2	496482 P2	496637 P2
115/60 VAC	496131 K8	496482 K8	496637 K8
230/50-60 VAC	496131 P9	496482 P9	496637 P9

How to Order

The housing kit is already included into the coil reference, so it's not needed to add it with the order code:

Valve Reference Number - Coil Reference - Voltage code = Order code

Example: 341N03 - 496131 C2

Valves and coils may be ordered also separately.

Coils 32 mm / 37 mm / 40 mm for N33-N34-N35 Series

Safe Area

Ref. 481865

These coils can be mounted with every Parker solenoid valves corresponding to the specified Coil Group. See column "Coil Group" within valve pages. This is an encapsulated assembly comprising a coil, integral magnetic iron path and snap-on plug connection.

The synthetic material encapsulation provides an effective compact housing, offering full protection against dust, oil, water, etc. Ease of mounting in confined space - offers shock and corrosion protection - simplifies conversion of existing equipment to other requirements, etc.

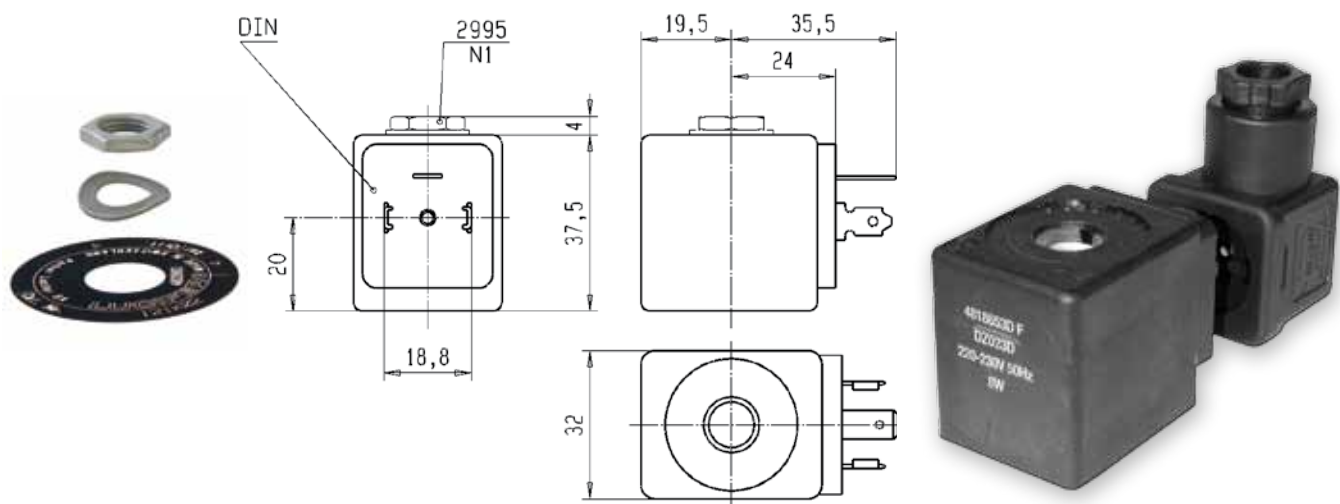
Coils conform to the IEC/CENELEC safety standards and complies with European low-voltage directive.



Specification		Standard		Double frequency			
Ref. (without DIN plug) Ref. (with DIN plug)		481865 482725		483510 482635			
Coil Group		2.0 / 2.1					
Degree of protection		IP65 according to IEC / EN 60529 standards (with DIN plug).					
Class of insulation		F 155°C					
Electrical connection		The coil is connected with a 2 P + E plug according to EN 175301-803 type A					
Ambient temperature		-40°C to +50°C - The application is limited also by the temperature range of the valve.					
Elect. Power	DC	Pn (hot)	9 W		-		
		P (cold) 20°C	12 W		-		
	AC	Pn (holding)	8 W		9 W		
		Attraction cold	26 VA (9 W)		32 VA (10 W)		
Weight		130 g (without plug)					
Voltages "Un"		VAC/Hz	Code	VDC	Code	VAC/Hz	Code
-10% to +10% of the Un		24/50	A2	24	C2	24/50, 24/60	P0
		48/50	A4	48	C4	48/50, 48/60	S4
		110/50	A5	110	C5	110-115/50, 120/60	S5
		220-230/50	3D			220-240/50, 240/60	S6

These coils must be used with suitable housings, see example below:

The coil assembly kit **Ref. 2995** corresponds to the "housing" of Lucifer® valve numbering system (Valve - housing - coil - voltage). It is composed of a nameplate giving details of the valve type, a round washer and a nut to ensure the fixing between 32 mm coil and the valve.



How to Order

To Order a Coil choose Coil Ref + Voltage Code

Example: 481865 for 24VDC = 481865C2

More voltage possibilities can be found in the table of voltage codes at the end of the coil section.

To Order a Valve + Coil Combination:

Example: 341N35-2995-481865C2

Coils and Spare Parts Informations

Coils 32 mm / 37 mm / 40 mm for N33-N34-N35 Series

Safe Area Coil 481000 Series with 4538 Watertight and dust proof housing IP67

Ref. 481000

These coils can be mounted with every Parker Solenoid Valves corresponding to the specified Coil Group.

See column "Coil Group" within valve pages. They can be mounted with all metal housings.

The coil winding is completely encapsulated in synthetic material. Easy mounting in confined spaces. Electrical connection with screw terminals for wire up to 1.5 mm².

Coils conform to the IEC/CENELEC safety standards and complies with European low-voltage directive.



Specification		Standard				Double Frequency	
Reference		481000				483520	
Coil Group		2.0 / 2.1					
Class of insulation		F 155°C					
Ambient temperature		-40°C to +50°C The application is limited also by the temperature range of the valve.					
Elect. Power	DC	Pn (hot)	8W			-	
		P (cold) 20°C	9W			-	
	AC	Pn (holding)	8W			9W	
		Attraction cold	32 VA (9 W)			36 VA (10 W)	
Weight		130 g				130 g	
Voltages "Un"		VAC/Hz	Code	VDC	Code	VAC/Hz	Code
-10% to +10% of the Un (-15 % to +5 % for double-frequency coil with voltage code S6 if 240 V/50/Hz is used).		24/50	A2	24	C2	24/50-60	P0
		48/50	A4	48	C4	48/50-60	S4
		110/50-115/50	0A	110	C5	110-115/50-120/60	S5
		220/50-230/50	3D			220-240/50-240/60	S6

These coils must be used with suitable housings, see examples below:



How to Order

To Order a Coil choose Coil Ref + Voltage Code

Example: **481000 for 24VDC = 481000C2**

More voltage possibilities can be found in the table of voltage codes at the end of the coil section.

To Order a Valve + Coil Combination:

Example: **341N35-4538-481000C2**

Coils 32 mm / 37 mm / 40 mm for N33-N34-N35 Series

ATEX Zone 2-22

REF. 495870

These coils can be mounted with every Parker ATEX solenoid valves corresponding to the specified Coil Group. See column "Coil Group" within valve pages.

Application: Control of solenoid valves in dangerous areas where explosion-proof protection Ex nc AC IIC T3 to T6 is required.

Ease of mounting in confined space - offers shock and corrosion protection - simplifies conversion of existing equipment to other requirements, etc. Coils conforms to the IEC/CENELEC safety standards and complies with European low-voltage directive.

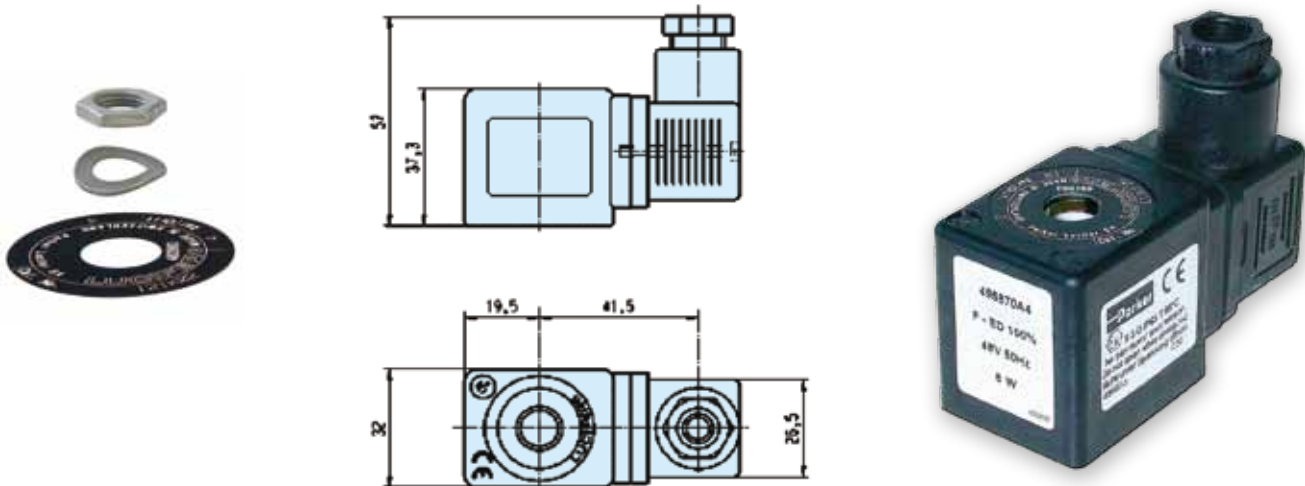
Small size for ease of mounting in confined spaces.



Reference	495870				496110	
Certificate	LCIE 05 ATEX 6003 X					
Coil Group	2.0 / 2.1					
Type of protection	Gas	II 3 G - Ex nc AC IIC T3 / T4			II 3 G - Ex nc AC IIC T3 / T4	
	Dust	II 3 D - Ex tc IIIC - T195°C / T130°C			II 3 D - Ex tc IIIC - T195°C / T130°C	
Degree of protection	IP65 (with plug) according to IEC/EN 60529					
Insulation Class	F (155°C)					
Duty cycle	100%					
Ambiant temperature	-40°C to +50°C The application is limited also by the temperature range of the valve.					
Elect. Power	DC	Pn (hot)	9 W			-
		P (cold) 20°C	12 W			-
	AC	Pn (holding)	8 W			9 W
		Attraction cold	26 VA (9 W)			32 VA (10 W)
Weight	150 g					
Voltages "Un" -10% to +10% of the Un	VAC/Hz	Code	VDC	Code	VAC/Hz	Code
	24/50	A2	24	C2	24/50-60	P0
	48/50	A4	48	C4	48/50-60	S4
	110/50	A5	110	C5	110/50-60	S5
	220-230/50	3D			220/50-60	S6

These coils must be used with suitable housings, see example below:

The coil assembly kit **Ref. 2995** corresponds to the "housing" of Lucifer® valve numbering system (Valve - housing - coil - voltage). It is composed of a nameplate giving details of the valve type, a round washer and a nut to ensure the fixing between 32 mm coil and the valve.



How to Order

To Order a Coil choose Coil Ref + Voltage Code

Example: **495870 for 24VDC = 495870C2**

To Order a Valve + Coil Combination:

Example: **341N35-2995-495870C2**

Coils 32 mm / 37 mm / 40 mm for N33-N34-N35 Series

ATEX Zone 1-21

Ref. 495905

These coils can be mounted with every Parker ATEX solenoid valves corresponding to the specified Coil Group.

See column "Coil Group" within valve pages.

Application: Control of solenoid valves in dangerous areas where explosion-proof protection Ex db mb IIC T4 is required.

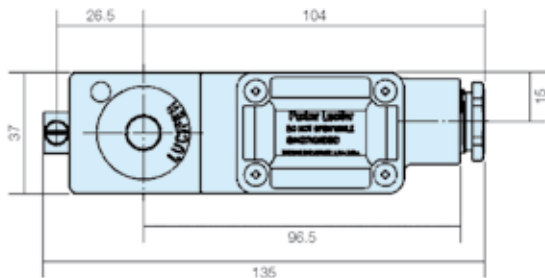
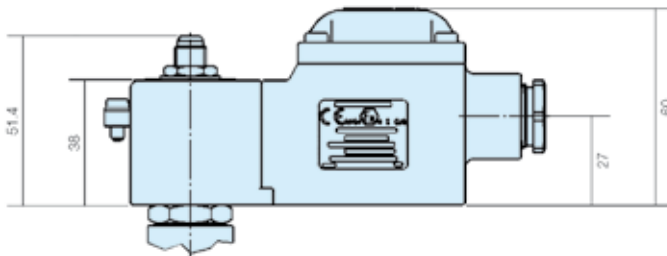
Benefits: Rotatable 360° fibreglass-reinforced plastic housing (class H). Solenoid coil, rectifier (silicium diodes), fuses and varistor protection are completely encapsulated into the coil housing by epoxy resin for shock and corrosion protection.

The plastic housing is delivered with M20 x 1.5 cable gland certified for use "db" protection.

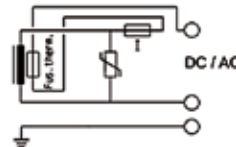
Small size for ease of mounting in confined space.



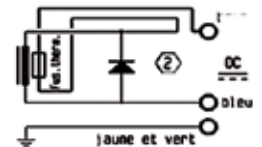
Reference	495905		495905.05	
Certificate	LCIE 03 ATEX 6451 X - IECEx LCI 06.0004 X			
Coil Group	2.0 / 2.1			
Type of protection	Gas	II 2 G - Ex db mb IIC T4		
	Dust	II 2 D - Ex tb IIC - 130°C		
Degree of protection	IP67			
Ambient temperature	-40°C to +65°C The application is limited also by the temperature range of the valve.			
Class of insulation	H (180 °)			
Electrical connection	Electric connection is done in the connection box on an easily accessible connector terminals. The introduction of the cable (Ø min 5 mm, Ømax. 11 mm, section max. 2.5 mm ²) in the connection box passes by the built in M20 x 1.5 cable gland.			
Elect. Power	DC	Pn (hot)	8 W	
		P (cold) 20°C	9 W	
	AC	Pn (holding)	8 W	
		Attraction cold	9 W	
Voltages "Un"	VAC/Hz	Code	VDC	Code
-10% to +10% of Un for AC	24/50	A2	24	C2
- 10 % to + 10 % for Un DC.	48/50	A4	48	C4
	115/50	E5	110	C5
	230/50	F4		



495905



*495905.05



How to Order

To Order a Coil choose Coil Ref + Voltage Code

Example: 495905 for 24VDC = 495905C2

To Order a Valve + Coil Combination:

Example: 341N35-495905C2

Coils 32 mm / 37 mm / 40 mm for N33-N34-N35 Series

ATEX Solutions Zone 1-21

Ref. 483371 & 494040

This coil can be mounted with every Parker ATEX solenoid valves corresponding to the specified Coil Group.

See column "Coil Group" within valve pages.

Application: Control of solenoid valves in dangerous areas where explosion-proof protection Ex eb II T3 or T4 is required.

Benefits: Rotatable housing 360°, galvanized steel with internal and external screw terminals for earth connection.

Small size for ease of mounting in confined space. Simplifies conversion of existing equipment to hazardous area requirements.



Reference		483371			494040				
Certificate		LCIE 02 ATEX 6011 X			LCIE 02 ATEX 6013 X				
Coil Group		2.0 / 2.1							
Type of protection	Gas	II 2 G - Ex eb IIC T4			II 2 G - Ex eb IIC T3 / T4				
	Dust	II 2 D - Ex tb IIIC - T130°C			II 2 D - Ex tb IIIC - T195°C / T130 °C				
Degree of protection		IP67							
Ambiant temperature		-40°C to +65°C			-40°C to +90°C / to +65°C				
		The application is limited also by the temperature range of the valve.							
Class of insulation		F 155°C			F (180°)				
Electrical connection		By special cable gland or M20 x 1.5 "Ex eb" on screw terminals for wires up to 1.5 mm ² . Cables with outside diameter 6.5 mm to 13.5 mm can be simply sealed using the rubber gland with resilient sealing rings supplied.							
Elect. Power	DC	Pn (hot)	8 W			8 W			
		P (cold) 20°C	9 W			9 W			
	AC	Pn (holding)	8 W			8 W			
		Attraction cold	32 VA (9 W)			32 VA (9 W)			
Weight		320 g							
Voltages "Un"		VAC/Hz	Code	VDC	Code	VAC/Hz	Code	VDC	Code
-10% to +10% of the Un		24/50 48/50 110-115/50 220-230/50	A2 A4 OA 3D	24 48 110	C2 C4 C5	220-230/50	3D	24	C2

Fuses:

Both electrical parts have to be connected in series with a safety fuse according to IEC 60127-3.

483371:

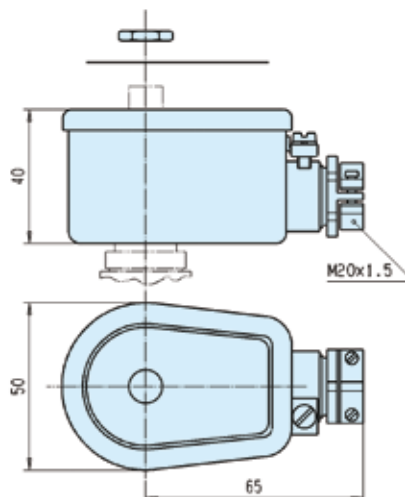
DC: 24 V, 400 mA - 48V, 250 mA
110 V, 100 mA

AC 50HZ: 24 V, 630 mA - 48V, 315 mA
110 V, 160 mA - 220/230 V, 80 mA

494040:

DC: 12 V, 400 mA - 24V, 200 mA
48 V, 100 mA - 110V, 50 mA

AC 50HZ: 24 V, 250 mA - 48V, 125 mA
110/115 V, 63 mA - 220/230 V, 32 mA



How to Order

To Order a Coil choose Coil Ref + Voltage Code

Example: 483371 for 24VDC = 483371C2

To Order a Valve + Coil Combination:

Example: 341N35-483371C2

Spare Parts Mounting Kit and Accessories

Kit for G1/4" Models without conversion plate (N x 3 Series)



Kit includes the 2 mounting screws M5 x 25 A2, the dowel pin M5 x 10 A2, the 2 O-rings NBR 15 x 2.5

Order code: 496132

Kit for G1/4" Models with conversion plate (N x 5 Series)



Kit includes the 2 mounting screws M5 x 35 A2, the dowel pin M5 x 20 A2, the conversion plate equipped with its seals

Order code: 496742 (equipped plate)

Order code: 496852 (screws + pin)

Kit for G1/2" Models (N x 4 Series)



Kit includes the 2 mounting screws M6 x 35 A2, the dowel pin M6 x 12 A2, the 2 O-rings NBR 24 x 3

Order code: 496133

Exhaust Flow Regulators



Material Body: Brass Filter element: Sintered bronze
Spring: Stainless Steel Seal: NBR

G1/8" Order code: 496551

G1/4" Order code: 496552

G1/2" Order code: 496553



Connector for 22 mm Coil

Connector DIN43650 AB Pg9 2P+E

Order code: 481043



Housing for 22 mm Coil

Plastic nut with O-ring

Order code: 3125



Connector for 32 mm Coil

Connector DIN43650 AA Pg9 2P+E

Order code: 486586



Ex Bus Manifold

for pneumatic actuator control

Parkers EExPress™ bus manifold package has been designed for the control of pneumatic actuators in the Process Industry where hazardous environments Zone 1, 21 and or Zone 2, 22 are present.

EExPress™ is a stackable system that includes Gateway - Input sensor modules - Solenoid valve modules.

NAMUR Standard ON/OFF Where the (NPN) sensor can be directly connected on the input sensor module.

The Ex manifold uses the Profibus DP protocol.



Increased Process Productivity

- When plant installation's are simplified, the engineering study, component package's and man hour costs are reduced, this results in a quicker production start-up.
- Through more efficient process control, quality and quantity of production is improved.
- EExPress™ bus manifold replaces a lot of proprietary components, thus reducing cost of installation.
- EExPress™ bus manifold simplifies commissioning time resulting in quicker plant start up time.
- EExPress™ bus manifold reduces overall product life cost through reduction in maintenance costs.



Reg. No. 10440

A User Friendly Product

- EExPress™ uses the well known profibus DP protocol.
- It as been designed to aproach a "plug and play" usage.
- At a glance at the LED the user knows immediately the current production Process status.
- Authorised users may re-adress the 5/2 valves directly from the manifold.



Plant installation simplification

- EExPress™ significantly reduces the need of electronic components such as couplers, repeaters, safety barriers, PLC, etc.
- It significantly reduces the need of mechanical components such as pressurised cabinet's, pneumatic piping, electrical wiring, connectors, etc.
- One bus address can operate and control up to 32 x solenoid valves on one manifold (or combination of sensor modules and solenoid valves).
- Integrated solution with high flow valves and sensor signal inputs.

Better process & personnel safety

- With separated wiring, the bus communication* is maintained "ON" even if the coil voltage supply is cut.
* Solenoid valve status + inputs sensor status + safety pressure status, etc.
- The diagnostic capabilities offer permanently a real reliable Process Control.
- Ex px [ia] [ib] ib mb IIC T5
Ex tD A21 IP65 T100°C protection as well as the patented coil connection eliminate risks associated with bad handling.
eg.: disconnection of bus or sensor connectors in presence of gases.
- It provides more efficient Process Control due to centralised mounting close to actuators.



IECEX

IECEX LC1 07.0027 X

CE

0081

Ex

II 2/(1) G D

LCIE 01 ATEX 6013 X

Ex px [ia] [ib] ib mb IIC T5

Ex tD A21 IP65 T100°C

Proven achievement through innovative fluid control.

**G1/8 - 4/3 Way Flat Slide Valves
 Series DRS**

Actuation System:

- Rotary lever
- Rotary switch



Operating information

System	Flat slide valve without automatic return to neutral position	
Mounting	2 Screws M4	
Tube connection	Thread	
Port size	Port P, A, B: G1/8 Port R: M5	
Weight (mass)	0.500 kg	
Installation	In any position	
Ambient temperature range	-10 °C to +55 °C	Note: Please consult us for operating temperatures below 0° C
Medium temperature range	-10 °C to +60 °C	
Medium	Filtered compressed air	
Lubrication	Oil mist lubrication compatible with Buna N	

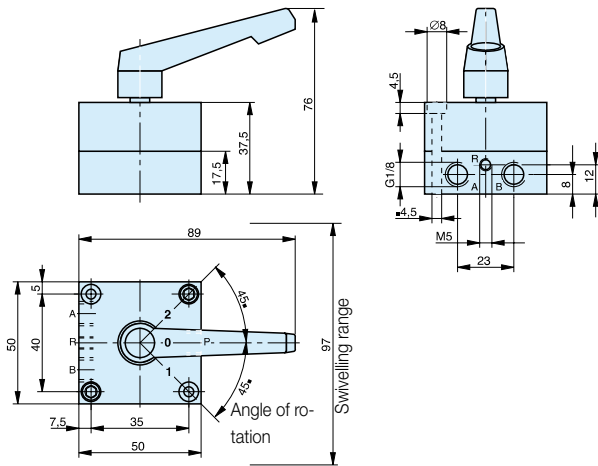
Pneumatic Characteristics

Nominal pressure	6 bar
Operating pressure range	0 – 10 bar
Nominal flow	350 l/min

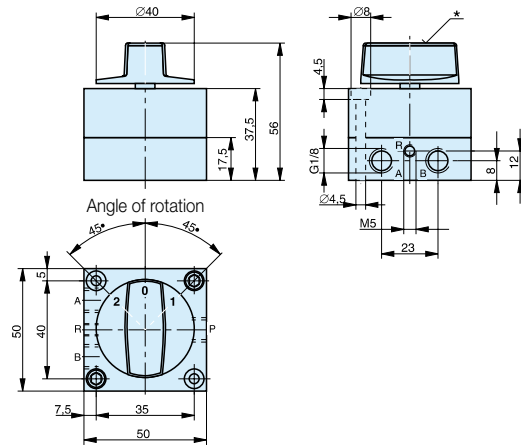
Actuation

Manual control	Direct
Actuation force	ca. 6 N

Rotary Lever – Type: DRS 412 .-1/8



Rotary Switch – Type: DRS 417 .-1/8



Port identification:
 A = 4 Outlet
 B = 2 Outlet
 R = 5 Exhaust
 P = 1 Pressure supply

* After removing the cover and loosening the mounting screws, the rotary switch is infinitely variable.

Order Instructions – 4/3 Way Flat Slide Valves, Series DRS

Actuation	Symbol	Order Instructions	
		Type	Order code
Rotary lever Middle position pressurized		DRS 412 B-1/8	PA 10267
Rotary lever Middle position vented		DRS 412 E-1/8	PA 10266
Rotary lever Middle position closed		DRS 412G-1/8	PA 10268
Rotary switch Middle position pressurized		DRS 417 B-1/8	PA 10264
Rotary switch Middle position vented		DRS 417 E-1/8	PA 10263
Rotary switch Middle position closed		DRS 417 G-1/8	PA 10265

**G1/4 - 3/2 and 5/2 Way Valves
Pedal Actuated - Series F**

Actuation System:

- Pedal

Connections for
3/2 way version:

Version

„Normally closed“: P, B, S

„Normally open“: P, A, R

* Only for version “both switch positions indexed”
– return is only effected after actuating the locking pedal.

Mounting Instruction:

Use only screw connections with max. wrench size
across flats of 15.



Connection designation:

- A = 4 Outlet
- B = 2 Outlet
- R = 5 Exhaust
- P = 1 Air supply
- S = 3 Exhaust

Operating information

Type	Poppet Valve
Mounting	4 Screws M8 ⁽¹⁾
Tube connection	Thread
Port size	G1/4
Weight (mass)	1.5 kg
Installation	In any position
Ambient temperature range ⁽³⁾	-10 °C to +55 °C
Medium temperature range ⁽³⁾	-10 °C to +60 °C
Medium	Filtered and oiled or filtered, unoled compressed air
Lubrication ⁽²⁾	Oil mist lubrication compatible with Buna N

Pneumatic Characteristics

Nominal pressure	6 bar
Operating pressure range	0 – 10 bar
Nominal flow	1400 l/min

Actuation

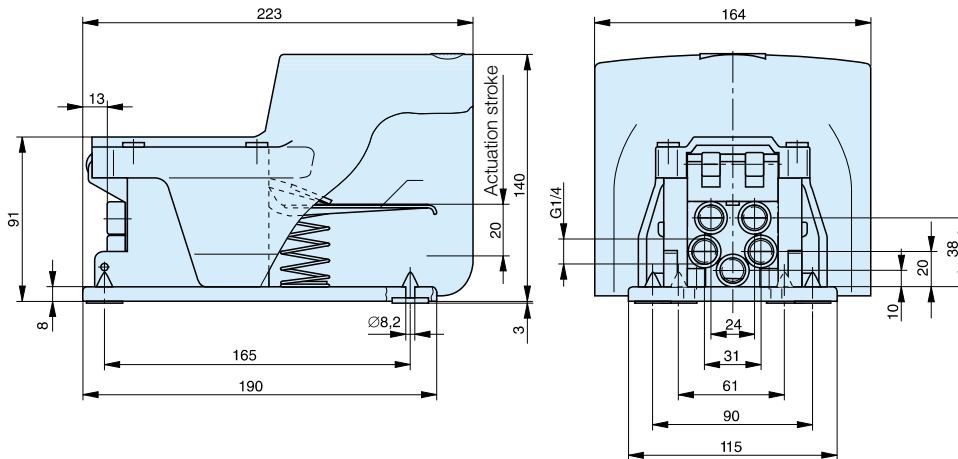
Manual control	Direct
Stroke	2 mm
Actuation force	ca. 30 N

⁽¹⁾ After removing the rubber footing

⁽²⁾ We recommend the use of mineral oil type VG 32 to ISO 3448

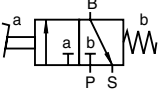
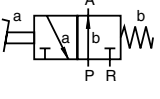
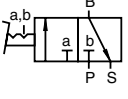
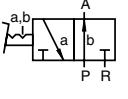
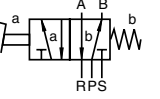
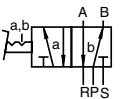
⁽³⁾ Note: Please consult us for operating temperatures below 0° C

Pedal actuated – Type: F331..-08., F531..-08



Dimensions in mm

Order Instructions – 3/2 and 5/2 Way Valves

Actuation	Symbol	Order Instructions	
		Type	Order code
Pedal with spring return		F 331RF-08NG*	KZ 4410
		F 331RF-08NO*	KZ 4411
Pedal without reset		F 331-08NG*	KZ 4408
		F 331-08NO*	KZ 4409
Pedal with spring return		F 531RF-08	KZ 4413
Pedal both switch positions indexed		F 531-08	KZ 4412

* NC – Version normally closed
NO – Version normally open

**G1/2 to G2 - 2/2-Way Stop Valves
 Series ARKV**

Actuation System:

- Pneumatic

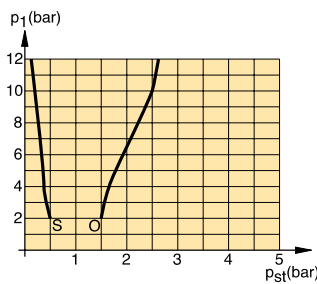


Operating information

Description	2/2 Way Valve	Medium	Compressed air, neutral gases, presswater (for low flow- und valve closingspeed only)
Type	Poppet valve normally closed	Actuating medium	filtered compressed air
Mounting	Direct in piping	Pneumatic characteristics	
Tube connection	Thread	Nominal pressure	6.3 bar
Port size	G1/2 G3/4 G1 G1 1/2 G2	Operating pressure range	0–10 bar
Weight (mass) Kg	0.745 1.115 1.365 2.695 4.290	Nominal flow (l/min)	2200 5000 6900 22000 40000
Installation	In any position	Actuation	
Ambient temperature range	-20 °C to +80 °C	Pneumatic	Direct
Medium temperature range	0 °C to +80 °C		

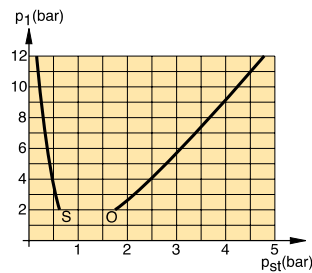
Note:
Please consult us for operating temperatures below 0 °C

Actuating Pressure – Type: ARKV-15



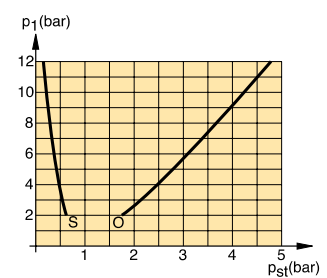
O = $p_{st \min}$ to open
 S = $p_{st \max}$ to close

Actuating Pressure – Type: ARKV-20



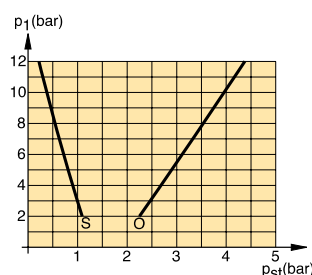
O = $p_{st \min}$ to open
 S = $p_{st \max}$ to close

Actuating Pressure – Type: ARKV-25



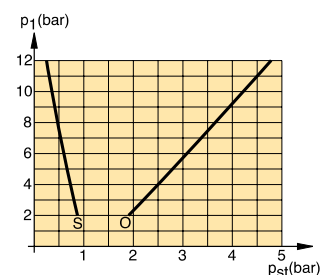
O = $p_{st \min}$ to open
 S = $p_{st \max}$ to close

Actuating Pressure – Type: ARKV-40



O = $p_{st \min}$ to open
 S = $p_{st \max}$ to close

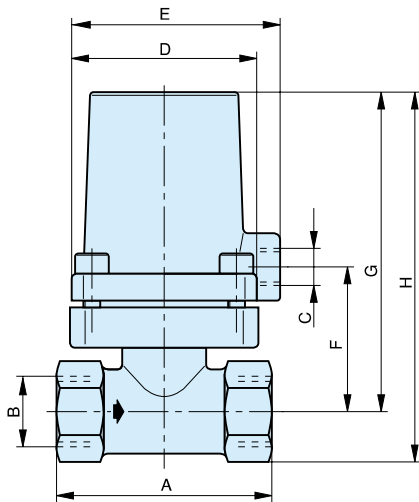
Actuating Pressure – Type: ARKV-50



O = $p_{st \min}$ to open
 S = $p_{st \max}$ to close

Dimensions in mm

Pneumatically actuated – Type: ARKV-..



Dimensions

Type	A	B	C	D	E	F	G	H
ARKV-15 NC	65	G1/2	G1/8	55	61	41.5	95	109.5
ARKV-20 NC	76	G3/4	G1/4	65	75	50	112	129
ARKV-25 NC	91	G1	G1/4	65	75	57	119	139
ARKV-40 NC	123	G1 1/2	G1/4	110	112	67	137	167.5
ARKV-50 NC	150	G2	G1/4	130	134	75	153	190

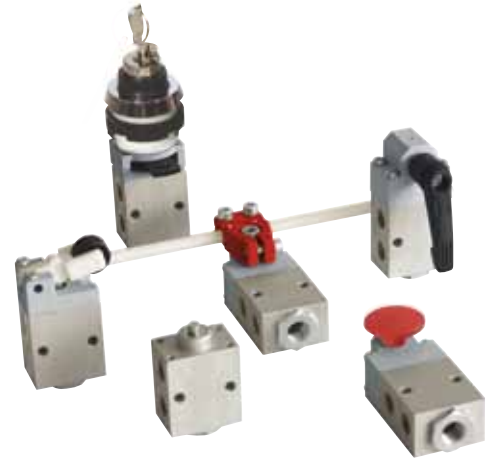
Order Instructions

Actuation System	Symbol	Order data	
		Type	Order code
Pneumatic		ARKV-15 NC	PD 07334
		ARKV-20 NC	PD 07580
		ARKV-25 NC	PD 07581
		ARKV-40 NC	PD 07757
		ARKV-50 NC	PD 07765

G1/8 - 3/2-Way Valves - Series K9

Actuation:

- Rotary lever, indexed
- Rotary lever, spring return
- Rotary lever, indexed, secured in two positions
- Pushbutton
- Cam operation
- Toggle cam operation
- Plunger operated
- Cam operated, free cam left or free cam right
- Pivoted lever
- Pedal
- Actuators for panel mounting



Operating information

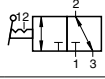
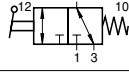
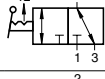
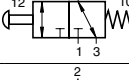


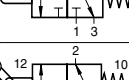
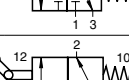
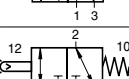
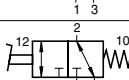
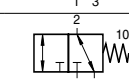
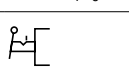


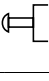

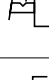


System	Poppet Valve	Pneumatic Characteristics	Nominal pressure	6 bar
Mounting	2 Screws M4		Operating pressure range	0–10 bar
Tube connection	Thread	Nominal flow	220 l/min	Flow direction 1 → 2 normally closed 3 → 2 normally open
Port size	G1/8	Flow direction		
Installation	In any position	Note: Please consult us for operating temperatures below 0° C	Actuation	Manual, mechanical and pedal actuated
Ambient temperature range	-10 °C to +55 °C		Actuation	
Medium temperature range	+5 °C* to +60 °C	Stroke	1.5–3 mm	
Medium	Filtered and lubricated or filtered and unlubricated air	* -10°C when using dry compressed air		
Lubrication	None or oil mist lubrication			

Actuation Forces, Rotation Angles and Weight

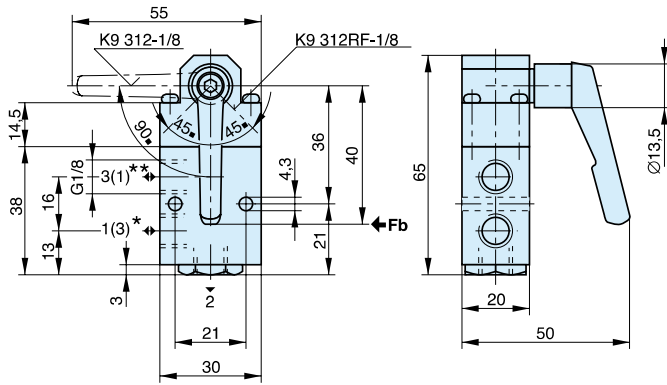
Description	Type	Actuation force (N)	Rotation angle	Weight mass (kg)
Rotary lever, indexed	K9 312-1/8	4.5	±45°, 90°	0.110
Rotary lever, spring return	K9 312RF-1/8	4.5	±45°, 90°	0.110
Rotary lever, indexed secured in both positions	K9 312S-1/8	4.5	±45°, 90°	0.110
Pushbutton	K9 314RF-1/8	25	–	0.075
Cam operation	K9 321RF-1/8	11	–	0.070
Toggle cam operation	K9 324RF-1/8	5	±40°	0.120
Plunger operated	K9 323RF-1/8	32	–	0.050
Cam operated free cam left	K9 325RF-1/8	5	±40°	0.120
Cam operated free cam right	K9 326RF-1/8	5	±40°	0.120
Pivoted lever	K9 329RF-1/8	2*	±40°	0.115
Pedal	K9 331RF-1/8	12	–	0.800
Basic valve for panel mounting actuators	K9 390RF-1/8	35	–	0.060

* at a distance of 100 mm from fulcrum

Order Instructions – 3/2 Way Poppet Valves, Series K9

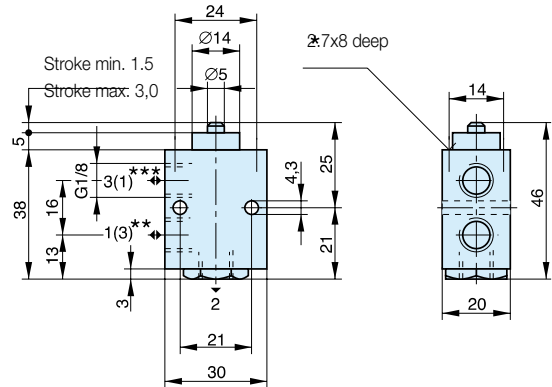
Actuation	Symbol	Mounting Ø (mm)	Order Instructions Type	Order code
Rotary lever, indexed			K9312-1/8	PA 10269
Rotary lever, spring return			K9312RF-1/8	PA 10270
Rotary lever, indexed secured in both positions			K9312S-1/8	PA 10349
Pushbutton			K9314RF-1/8	PA 10271
Cam operation			K9321RF-1/8	PA 10272
Toggle cam operation			K9324RF-1/8	PA 10273
Plunger operated			K9323RF-1/8	PA 10235
Cam operated free cam left			K9325RF-1/8	PA 10274
Cam operated free cam right			K9326RF-1/8	PA 10275
Pivoted lever			K9329RF-1/8	PA 10276
Pedal			K9331RF-1/8	PA 10277
Panel mounting valve with adaptor for interchangeable actuation			K9390RF-1/8	PA 10278
Rotary lever, indexed		22 30	12T-22 12T-30	KX 9355 KX 9314
Rotary lever, spring return		22 30	12T-RF-22 12T-RF-30	KX 9356 KX 9315
Pushbutton		22 30	13T-RF-22 13T-RF-30	KX 9357 KX 9316
Mushroom pushbutton		22 30	15T-RF-22 15T-RF-30	KX 9358 KX 9317
Locking switch		22 30	16T-22 16T-30	KX 9359 KX 9318
Rotary switch		22 30	17T-22 17T-30	KX 9360 KX 9319
Mushroom switch Emergency Shutdown		22 30	18T-22 18T-30	KX 9361 KX 9320

Rotary Lever – Type: K9 312..-1/8



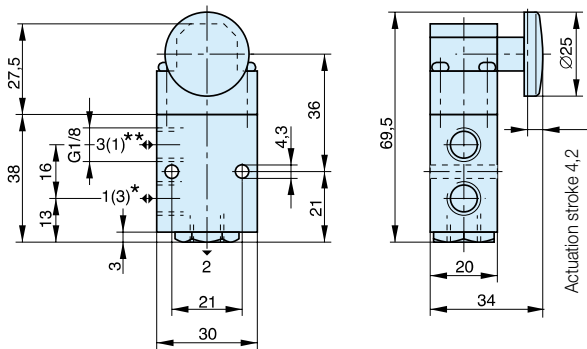
* = P when used as “normally closed”
 ** = P when used as “normally open”

Plunger Operated – Type: K9 323RF-1/8



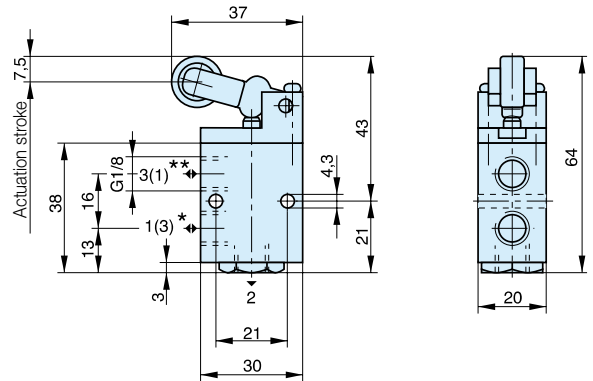
* Self tapping screws CM 3x.. DIN 7500 to be used
 ** = P when used as “normally closed”
 *** = P when used as “normally open”

Pushbutton – Type: K9 314RF-1/8



* = P when used as “normally closed”
 ** = P when used as “normally open”

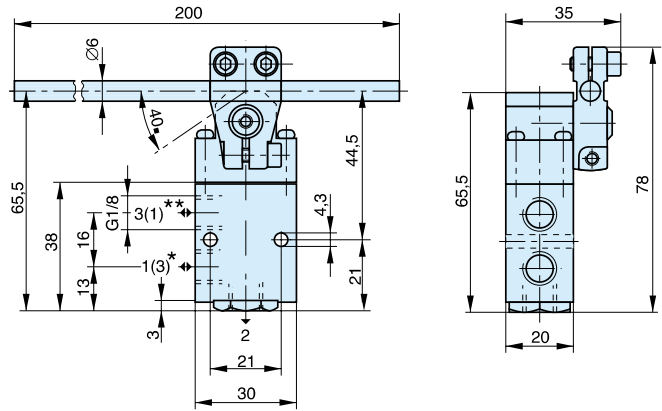
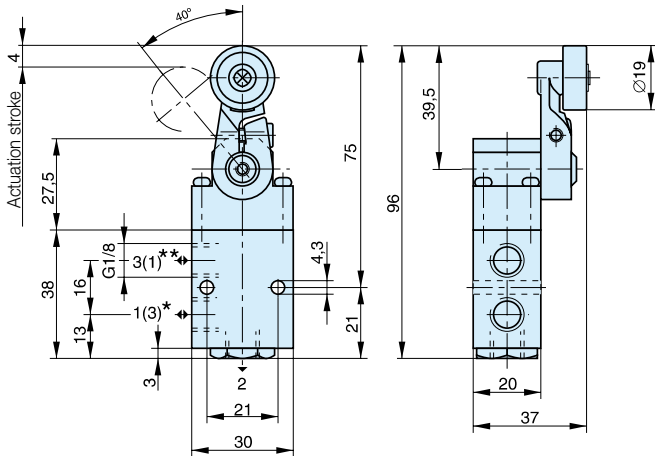
Cam operation– Type: K9 321RF-1/8



* = P when used as “normally closed”
 ** = P when used as “normally open”

Toggle Cam Operation – Type: K9 324RF-1/8

Pivoted Lever – Type: K9 329RF-1/8

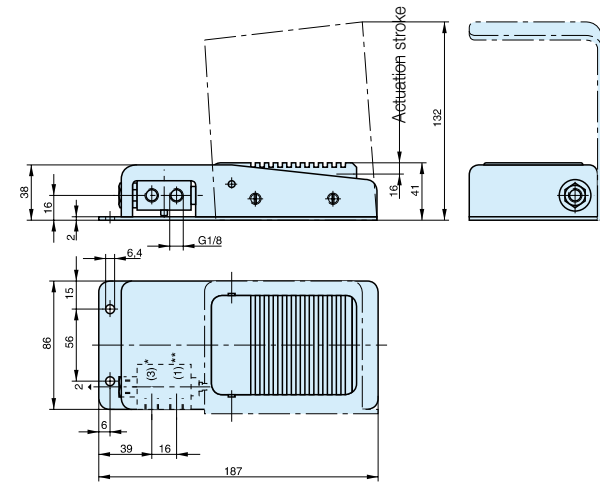
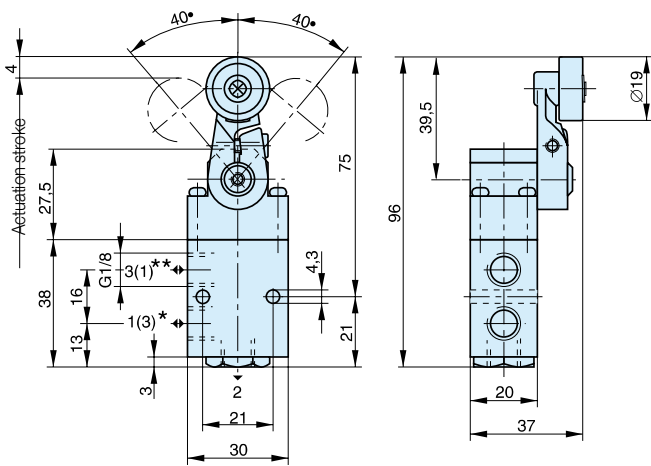


* = P when used as “normally closed”
 ** = P when used as “normally open”

* = P when used as “normally closed”
 ** = P when used as “normally open”

**Cam Operated free cam left / right
 Type: K9 325RF-1/8, K9 326RF-1/8**

Pedal – Type: K9 331RF-1/8

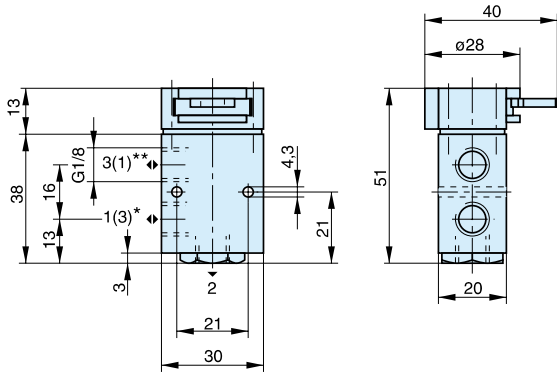


* = P when used as “normally closed”
 ** = P when used as “normally open”

* = P when used as “normally closed”
 ** = P when used as “normally open”

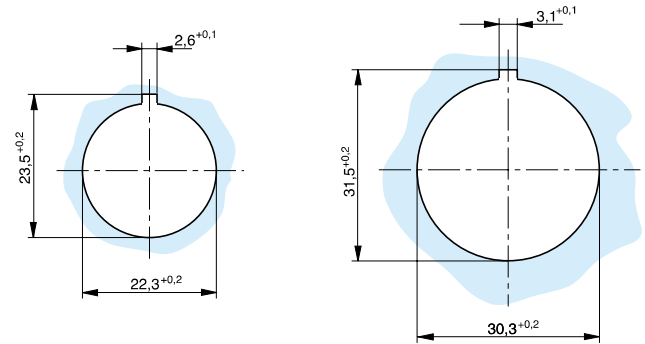
**Basic Valve with adaptor for panel mounting
 Type: K9 390RF-1/8**

**Mounting holes for mounting
 diameters 22 and 30 mm**



Mounting diameter Ø22 mm

Mounting diameter Ø30 mm



* = P when used as "normally closed"
 ** = P when used as "normally open"

Rotary Lever, indexed – Type: 12T-22, 12T-30

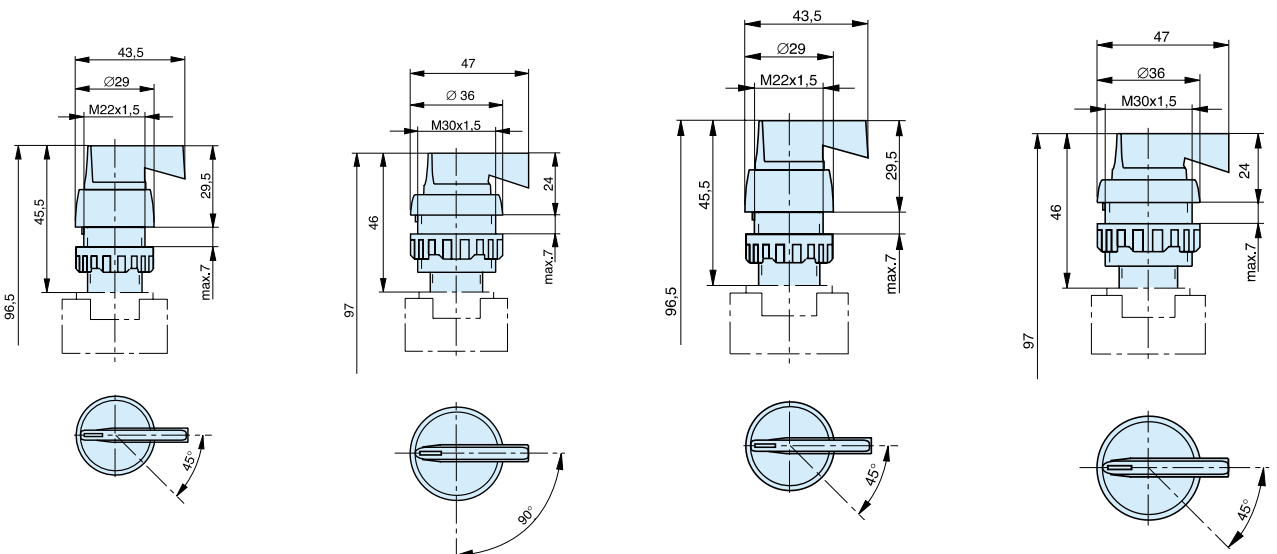
**Rotary Lever with spring return
 Type: 12T-RF-22, 12T-RF-30**

Mounting diameter Ø22 mm

Mounting diameter Ø30 mm

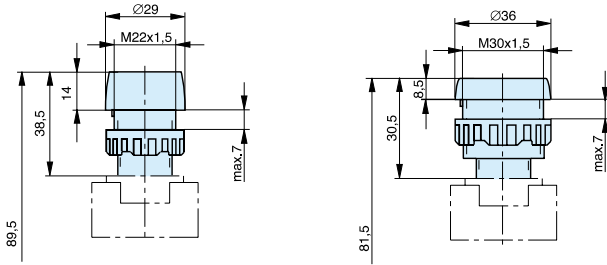
Mounting diameter Ø22 mm

Mounting diameter Ø30 mm



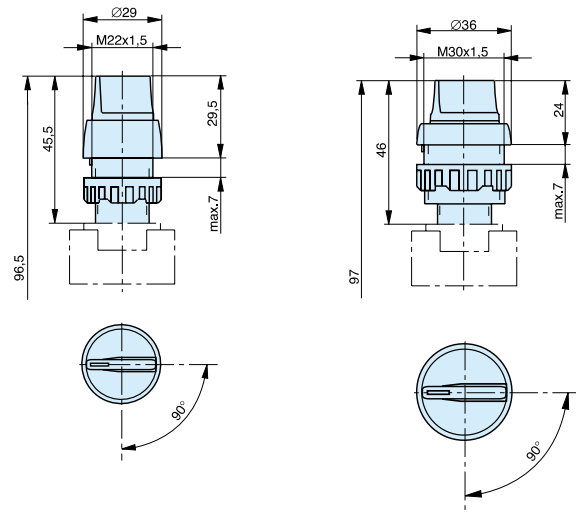
Pushbutton
 Type: 13T-RF-22, 13T-RF-30

Mounting diameter Ø22 mm Mounting diameter Ø30 mm



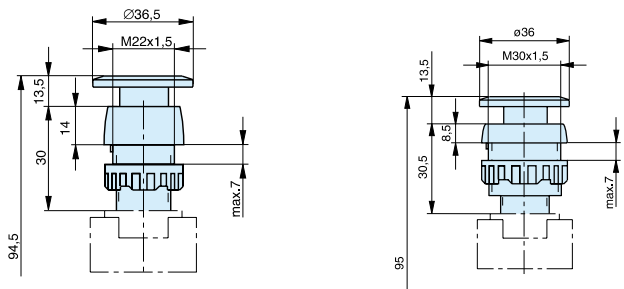
Rotary Switch
 Type: 17T-22, 17T-30

Mounting diameter Ø22 mm Mounting diameter Ø30 mm



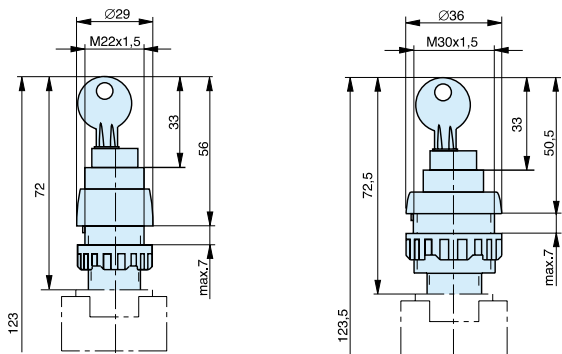
Mushroom Pushbutton
 Type: 15T-RF-22, 15T-RF-30

Mounting diameter Ø22 mm Mounting diameter Ø30 mm



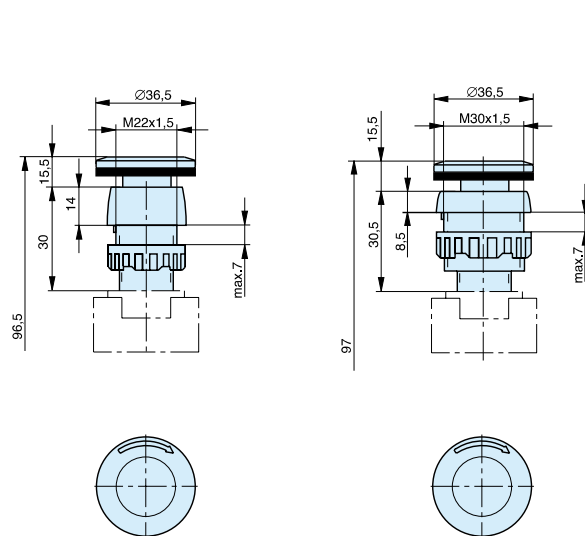
Locking Switch
 Type: 16T-22, 16T-30

Mounting diameter Ø22 mm Mounting diameter Ø30 mm



Mushroom Switch (Emergency Shutdown)
 Type: 18T-22, 18T-30

Mounting diameter Ø22 mm Mounting diameter Ø30 mm



S9 Series Directional Control Valves

Actuation:

- Hand lever
- Pneumatic
- Electrical pilot operated
- Electrical pilot operated with external pilot air
- Panel mounting actuators for mounting diameter to DIN 43696

Versions:

- Normally closed
- Normally open
- With external pilot air
- With biased position
- Version to ATEX Standard



Note: The “normally open” valve S9 381S-RF-1/8 cannot be used on a P-supply manifold.

3/2 Way Valves – Standard versions

Actuation System	Symbol	Mounting Ø (mm)	Order Instructions Type	Order No.
Hand lever, indexed			S9 311-1/8	PA 10293
			S9 311-1/4	PA 12708
			S9 311-1/2	PA 16404
Hand lever, spring return			S9 311RF-1/8	PA 10294
			S9 311RF-1/4	PA 12709
			S9 311RF-1/2	PA 16405
Hand lever secured in 2 switching positions			S9 311S-1/4	PA 12710
			S9 311S-1/2	PA 16406
Rotary lever, indexed			S9 312-1/4	PA 12711
			S9 312-1/2	PA 16407
Rotary lever, spring return			S9 312RF-1/4	PA 12712
			S9 312RF-1/2	PA 16408
Pneumatic, by permanent signal			S9 361RF-1/8	PA 10295
			S9 361RF-1/4	PA 12713
			S9 361RF-1/2	PA 16409
Pneumatic, by impulse			S9 361-1/8	PA 10296
			S9 361-1/4	PA 12714
			S9 361-1/2	PA 16410
Pneumatic, by impulse, with biased position			S9 362-1/4	PA 12715
			S9 362-1/2	PA 16411
Basic valve for panel mounting			S9 390RF-1/8	PA 10307

3/2 Way Valves – Standard versions

Actuation System	Symbol	Mounting Ø (mm)	Order Instructions Type	Order No.
Rotary lever, indexed		22	12T-22	KX 9355
		30	12T-30	KX 9314
Rotary lever, spring return		22	12T-RF-22	KX 9356
		30	12T-RF-30	KX 9315
Pushbutton		22	13T-RF-22	KX 9357
		30	13T-RF-30	KX 9316
Mushroom pushbutton		22	15T-RF-22	KX 9358
		30	15T-RF-30	KX 9317
Locking switch		22	16T-22	KX 9359
		30	16T-30	KX 9318
Rotary switch		22	17T-22	KX 9360
		30	17T-30	KX 9319
Mushroom pushbutton emergency-Off		22	18T-22	KX 9361
		30	18T-30	KX 9320
Electrical by permanent signal			S9 381RF-1/8-NC-..	PA 10297-...33
			S9 381RF-1/4-NC-..	PA 12716-...33
			S9 381RF-1/2-NC-..	PA 16412-...33
			S9 381RF-1/8-NO-..	PA 10298-...33
			S9 381RF-1/4-NO-..	PA 12717-...33
			S9 381RF-1/2-NO-..	PA 16413-...33
with external pilot air			S9 381S-RF-1/8-..	PA 10300-...33
			S9 381S-RF-1/4-..	PA 12719-...33
			S9 381S-RF-1/2-..	PA 16415-...33
Electrical by impulse			S9 381-1/8-..	PA 10299-...33
			S9 381-1/4-..	PA 12718-...33
			S9 381-1/2-..	PA 16414-...33
Electrical, by impulse, with external pilot air			S9 381S-1/8-..	PA 10301-...33
			S9 381S-1/4-..	PA 12720-...33
			S9 381S-1/2-..	PA 16417-...33
Electrical by impulse, with biased position			S9 382-1/4-..	PA 12721-...33
			S9 382-1/2-..	PA 16418-...33
with external pilot air			S9 382S-1/4-..	PA 12722-...33
			S9 382S-1/2-..	PA 16419-...33
Solenoid version	Nominal voltage	Applicable for	Key code	ATEX Type additon
Standard version	230V 50/60Hz	110 V =	61	-
	24V =	60V 50/60Hz	02	-
Low wattage version	24V =		13	-
	230V 50/60Hz		69	-

EX Area versions to ATEX Standard Category, type of ignition protection

Single valve: Ⓢ II 2G c T4 T135°C -10°C≤Ta≤+60°C

Solenoid/individual use: Ⓢ II 2G EEx m II T5 -20°C≤Ta≤+50°C

Solenoid/manifold mounting: Ⓢ II 2G EEx m II T5 -20°C≤Ta≤+40°C

Solenoid version	Nominal voltage	Applicable for	Key code	ATEX Type additon
Solenoid	24V =		48	ATEX
- with cable 1.2 m				
- with cable 3 m	24V =		45	ATEX
- with cable 5 m	24V =		46	ATEX
- with cable 10 m	24V =		47	ATEX
- with cable 1.2 m	24V 50/60Hz		99	ATEX
- with cable 1.2 m	110V 50/60Hz		97	ATEX
- with cable 1.2 m	230V 50/60Hz		98	ATEX

Example for valves in ATEX-Version:

- for valves Series S9-G1/8, S9-G1/4, S9-G1/2

Please add behind the Standard Order No. "ATEX"


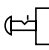


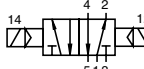

Type: S9 381RF-1/8-NC-4633

Order No. PA10297-4633ATEX

Order Instructions – 5/2 Way Valves – Standard versions

Actuation System	Symbol	Mounting Ø (mm)	Order Instructions Type	Order No.
Hand lever, indexed			S9 511-1/8	PA 10308
			S9 511-1/4	PA 12671
			S9 511-1/2	PA 16367
Hand lever, spring return			S9 511RF-1/8	PA 10309
			S9 511RF-1/4	PA 12672
			S9 511RF-1/2	PA 16366
Hand lever secured in 2 switching positions			S9 511S-1/8	PA 10368
			S9 511S-1/4	PA 12673
			S9 511S-1/2	PA 16368
Rotary lever, indexed			S9 512-1/4	PA 12674
			S9 512-1/2	PA 16378
Rotary lever, spring return			S9 512RF-1/4	PA 12675
			S9 512RF-1/2	PA 16379
Pneumatic, by permanent signal			S9 561RF-1/8	PA 10310
			S9 561RF-1/4	PA 12676
			S9 561RF-1/2	PA 16165
Pneumatic, by impulse			S9 561-1/8	PA 10311
			S9 561-1/4	PA 12677
			S9 561-1/2	PA 16166
Pneumatic, by impulse, with biased position			S9 562-1/4	PA 12678
			S9 562-1/2	PA 16167
Basic valve for panel mounting			S9 590RF-1/8	PA 10320
Rotary lever, indexed		22	12T-22	KX 9355
		30	12T-30	KX 9314
Rotary lever, spring return		22	12T-RF-22	KX 9356
		30	12T-RF-30	KX 9315
Pushbutton		22	13T-RF-22	KX 9357
		30	13T-RF-30	KX 9316
Mushroom pushbutton		22	15T-RF-22	KX 9358
		30	15T-RF-30	KX 9317
Locking switch		22	16T-22	KX 9359
		30	16T-30	KX 9318

Order Instructions - 5/2 Way Valves - Standard Versions

Actuation System	Symbol	Mounting Ø (mm)	Order Instructions Type	Order No.
Rotary switch		22	17T-22	KX 9360
		30	17T-30	KX 9319
Mushroom pushbutton Emergency-Off		22	18T-22	KX 9361
		30	18T-30	KX 9320
Electrical, by permanent signal			S9 581RF-1/8-..	PA 10312-..33
			S9 581RF-1/4-..	PA 12679-..33
			S9 581RF-1/2-..	PA 16171-..33
with external pilot air			S9 581S-RF-1/8-..	PA 10314-..33
			S9 581S-RF-1/4-..	PA 12681-..33
			S9 581S-RF-1/2-..	PA 16174-..33
Electrical, by impulse			S9 581-1/8-..	PA 10313-..33
			S9 581-1/4-..	PA 12680-..33
			S9 581-1/2-..	PA 16172-..33
with external pilot air			S9 581S-1/8-..	PA 10315-..33
			S9 581S-1/4-..	PA 12682-..33
			S9 581S-1/2-..	PA 16175-..33

Solenoid version	Nominal voltage	Applicable for	Key code	ATEX Type additon
Standard version	230V 50/60Hz	110 V =	61	-
	24V =	60V 50/60Hz	02	-
Low wattage version	24V =		13	-
	230V 50/60Hz		69	-

EX Area versions to ATEX Standard

Category, type of ignition protection

Single valve: Ⓢ II 2G c T4 T135°C -10°C ≤ Ta ≤ +60°C

Solenoid/individual use: Ⓢ II 2G EEx m II T5 -20°C ≤ Ta ≤ +50°C

Solenoid/manifold mounting: Ⓢ II 2G EEx m II T5 -20°C ≤ Ta ≤ +40°C

Solenoid version	Nominal voltage	Applicable for	Key code	ATEX Type additon
Solenoid	24V =		48	ATEX
- with cable 1.2 m				
- with cable 3 m	24V =		45	ATEX
- with cable 5 m	24V =		46	ATEX
- with cable 10 m	24V =		47	ATEX
- with cable 1.2 m	24V 50/60Hz		99	ATEX
- with cable 1.2 m	110V 50/60Hz		97	ATEX
- with cable 1.2 m	230V 50/60Hz		98	ATEX

Example for valves in ATEX-Version:

- for valves Series S9-G1/8, S9-G1/4, S9-G1/2

Please add behind the Standard Order No. "ATEX"

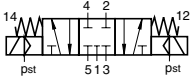
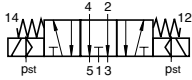
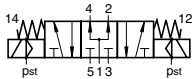
Type: S9 381RF-1/8-NC-4633

Order No. PA10297-4633ATEX

Order Instructions – 5/3 Way Valves – Standard versions

Actuation System	Symbol	Order Instructions Type	Order No.
Hand lever, secured in 3 operating positions		S9 511G-1/8	PA 10321
		S9 511G-1/4	PA 12687
		S9 511G-1/2	PA 16369
		S9 511E-1/8	PA 10322
		S9 511E-1/4	PA 12688
		S9 511E-1/2	PA 16370
		S9 511B-1/8	PA 10323
		S9 511B-1/4	PA 12689
		S9 511B-1/2	PA 16371
Hand lever, spring return to middle position		S9 511RFG-1/8	PA 10324
		S9 511RFG-1/4	PA 12690
		S9 511RFG-1/2	PA 16372
		S9 511RFE-1/8	PA 10325
		S9 511RFE-1/4	PA 12691
		S9 511RFE-1/2	PA 16373
		S9 511RFB-1/8	PA 10326
		S9 511RFB-1/4	PA 12692
		S9 511RFB-1/2	PA 16374
Hand lever, secured in 3 operating positions		S9 511SG-1/8	PA 10327
		S9 511SG-1/4	PA 12693
		S9 511SG-1/2	PA 16375
		S9 511SE-1/8	PA 10328
		S9 511SE-1/4	PA 12694
		S9 511SE-1/2	PA 16376
		S9 511SB-1/8	PA 10329
		S9 511SB-1/4	PA 12695
		S9 511SB-1/2	PA 16377
Rotary lever, indexed in 3 operating positions		S9 512G-1/4	PA 12696
		S9 512G-1/2	PA 16380
		S9 512E-1/4	PA 12697
		S9 512E-1/2	PA 16381
		S9 512B-1/4	PA 12698
		S9 512B-1/2	PA 16382

Actuation System	Symbol	Order Instructions Type	Order No.	
Rotary lever, spring return to middle position		S9 512RFG-1/4	PA 12699	
		S9 512RFG-1/2	PA 16383	
		S9 512RFE-1/4	PA 12700	
		S9 512RFE-1/2	PA 16384	
		S9 512RFB-1/4	PA 12701	
		S9 512RFB-1/2	PA 16385	
Pneumatic, by permanent signal		S9 561RFG-1/8	PA 10330	
		S9 561RFG-1/4	PA 12702	
		S9 561RFG-1/2	PA 16168	
		S9 561RFE-1/8	PA 10331	
		S9 561RFE-1/4	PA 12703	
		S9 561RFE-1/2	PA 16169	
		S9 561RFB-1/8	PA 10332	
		S9 561RFB-1/4	PA 12704	
		S9 561RFB-1/2	PA 16170	
	Electrical by permanent signal		S9 581RFG-1/8-..	PA 10333-...33
			S9 581RFG-1/4-..	PA 12705-...33
			S9 581RFG-1/2-..	PA 16176-...33
		S9 581RFE-1/8-..	PA 10334-...33	
		S9 581RFE-1/4-..	PA 12706-...33	
		S9 581RFE-1/2-..	PA 16177-...33	
		S9 581RFB-1/8-..	PA 10335-...33	
		S9 581RFB-1/4-..	PA 12707-...33	
		S9 581RFB-1/2-..	PA 16178-...33	

Actuation System	Symbol	Order Instructions Type	Order No.
Electrical by permanent signal		S9 581S-RFG-1/8-..	PA 10377-..33
		S9 581S-RFG-1/4-..	PA 12925-..33
spring return to middle position		S9 581S-RFE-1/8-..	PA 10379-..33
		S9 581S-RFE-1/4-..	PA 12923-..33
with external pilot air		S9 581S-RFB-1/8-..	PA 10378-..33
		S9 581S-RFB-1/4-..	PA 12924-..33

Solenoid version	Nominal voltage	Applicable for	Key code	ATEX Type addition
Standard version	230V 50/60Hz	110 V =	61	-
	24V =	60V 50/60Hz	02	-
Low wattage version	24V =		13	-
	230V 50/60Hz		69	-

Single valve: ☉ II 2G c T4 T135°C -10°C ≤ Ta ≤ +60°C
 Solenoid/individual use: ☉ II 2G EEx m II T5 -20°C ≤ Ta ≤ +50°C
 Solenoid/manifold mounting: ☉ II 2G EEx m II T5 -20°C ≤ Ta ≤ +40°C

Solenoid version	Nominal voltage	Applicable for	Key code	ATEX Type addition
Solenoid	24V =		48	ATEX
- with cable 1.2 m				
- with cable 3 m	24V =		45	ATEX
- with cable 5 m	24V =		46	ATEX
- with cable 10 m	24V =		47	ATEX
- with cable 1.2 m	24V 50/60Hz		99	ATEX
- with cable 1.2 m	110V 50/60Hz		97	ATEX
- with cable 1.2 m	230V 50/60Hz		98	ATEX

Example for valves in ATEX-Version:
 - for valves Series S9-G1/8, S9-G1/4, S9-G1/2
 Please add behind the Standard Order No. "ATEX"
 Type: S9 381RF-1/8-NC-4633
 Order No. PA10297-4633ATEX

3/2, 5/2 and 5/3 Directional Control Valves Series S9-G1/8 / G1/4 / G1/2

Characteristics	Series S9 G1/8			Series S9 G1/4			Series S9 G1/2		
Actuation	Manual control	pneumatic	electrical	Manual control	pneumatic	electrical	Manual control	pneumatic	electrical
General Features									
Type	Spool valve			Spool valve			Spool valve		
Mounting	2 Screws M5			2 Screws M6			2 Screws M6		
Tube connection	Thread			Thread			Thread		
Thread	G1/8 – 7.4 deep			G1/4 – 11 deep			G1/2 – 16 deep		
Installation	In any position			In any position			In any position		
Ambient temperature range (1)	-10 °C to +60 °C *			-10 °C to +60 °C*			-10 °C to +60 °C*		
Medium temperature range (1)	-10 °C to +60 °C *			-10 °C to +60 °C*			-10 °C to +60 °C*		
Medium	Filtered compressed air								
Lubrication	With or without oil mist lubrication (We recommend the use of mineral oil type VG 32 to ISO 3448)								
Pneumatic Characteristics									
Nominal pressure (bar)	6			6			6		
Operating pressure range (bar)	0-10 (10)	-	-	0-10	-	-	0-10	-	-
- permanent signal version (bar)	-	0-10	2-10	-	0-10	2-10	-	0-10	2.2-10
- impulse version (bar)	-	0-10	2-10	-	0-10	2-10	-	0-10	2.2-10
- with external pilot air (bar)	-	-	0-10	-	-	0-10	-	-	0-10
Nominal flow	500 l/min (450 bei 3/2 Way Valve)			1300 l/min(7)			3500 l/min(8)		
Actuation									
Manual control	Direct			Direct			Direct		
Stroke	4.5 mm			6.5 mm			9.4 mm		
Actuation force (N)	7 (2) 10 (3)			10 (2) 15 (3)			15 (2) 40 (3)		
Pneumatic	Direct			Direct			Direct		
Actuation pressure range									
- permanent signal version (bar)	-	2-10	2-10	2-10	2-10	2-10	-	2.2-10(8)	2.2-10
- impulse version (bar)	-	1.5-10	1.5-10	1.5-10	1.5-10(4)	1.5-10(4)	-	1.5-10(5)	1.5-10(4)
Electrical	Electrical pilot operated								
Voltage type	Alternating current (50/60Hz)			Direct current			Alternating current (50/60Hz)		
Nominal voltage									
- Standard version	230 V ±10%			24 V ±10%			Other voltages on request		
- Low wattage version	230 V ±10%			24 V ±10%			230 V ±10%		
Initial power consumption	G1/8	G1/4	G1/2	G1/8	G1/4	G1/2	G1/8	G1/4	G1/2
- Standard version (VA)	8.5	8.5	11.0	2.5	2.5	4.8	8.5	8.5	11.0
- Low wattage version (VA)	6.6	6.6	7.8	2.1	2.1	2.7	6.6	6.6	7.8
Continuous consumption	G1/8	G1/4	G1/2	G1/8	G1/4	G1/2	G1/8	G1/4	G1/2
- Standard version (VA)	6.0	6.0	8.5	2.5	2.5	4.8	6.0	6.0	8.5
- Low wattage version (VA)	3.9	4.9	4.9	2.1	2.1	2.7	3.9	4.9	4.9
Duty cycle	100%			100%			100%		
Electrical protection	IP65 to DIN 40050 (applies only to solenoid with plug)								
Connection	Plug to DIN EN 175301-803 form B – industrial standard (6)								

* Valve Manifold Assemblies with electrically actuated valves -10 to +50°C

(1) Note: For use below freezing point please contact us

(2) Actuation force for valves without spring return, actuation with rotary lever: 5N

(3) Actuation force for valves with spring return, Actuation with rotary lever: 15N

(4) Only for version with biased position 2 – 10 bar, pneumatically actuated
2 – 10 bar, electrically actuated 2.5 – 10 bar

(5) Version with biased position 2.5 – 10 bar

(6) Low wattage version: Plug to DIN EN 175301-803 form A

(7) Version "middle position vented" 1000 l/min

(8) Version "middle position vented" 3300 l/min Version "middle position
pressured" 3600 l/min

(9) 5/3 Way Valve 2.5 – 10 bar

(10) Valves with panel mounting actuators 2 – 10 bar

3/2, 5/2 and 5/3 Way Valves for use in EX areas Series S9-G1/8 / G1/4 / G1/2

Characteristics	Series S9 G1/8	Series S9 G1/4	Series S9 G1/2
Actuation	Manual Control pneumatic electrical	Manual Control pneumatic electrical	Manual Control pneumatic electrical
General Features			
Type	Spool valve	Spool valve	Spool valve
Mounting	2 screws M5	2 Screws M6	2 Screws M6
Tube connection	Thread	Thread	Thread
Thread	G1/8 – 7.4 deep	G1/4 – 11 deep	G1/2 – 16 deep
Installation	In any position	In any position	In any position
Ambient temperature range (1)	-10 °C to +60 °C *	-10 °C to +60 °C *	-10 °C to +60 °C *
Medium temperature range (1)	-10 °C to +60 °C *	-10 °C to +60 °C *	-10 °C to +60 °C *
Medium	Filtered, unlubricated compressed air – free from water and dirt to ISO8573-1	Solids: Class 7 particle size <40 µm for gas Water content: pressure dew point + 3°C, Class 4, but at least 5°C below minimum operating temperature	Solids: Class 7 particle size <40 µm for gas Water content: pressure dew point + 3°C, Class 4, but at least 5°C below minimum operating temperature
Pneumatic Characteristics			
Nominal pressure (bar)	6	6	6
Operating pressure range (bar)	0–8 (10) – –	0–8 – –	0–8 – –
– permanent signal version (bar)	– 0–8 2–8	– 0–8 2–8	– 0–8 2.2–8
– impulse version (bar)	– 0–8 1.5–8(4)	– 0–8 1.5–8(4)	– 0–8 1.5–8(4)
– with external pilot air (bar)	– – 0–8	– – 0–8	– – 0–8
Nominal flow	500 l/min (450 bei 3/2 Way Valve)	1300 l/min (7)	3500 l/min (8)
Actuation			
Manual control	Direct	Direct	Direct
Stroke	4.5 mm	6.5 mm	9.4 mm
Actuation force (N)	7 (2) 10 (3)	10 (2) 15 (3)	15 (2) 40 (3)
Pneumatic	Direct	Direct	Direct
Actuation pressure range			
– permanent signal version (bar)	– 2–8 2–8	2–8 2–8 2–8	– 2.2–8(9) 2.2–8
– impulse version (bar)	– 1.5–8 1.5–8(4)	1.5–8 1.5–8(4) 1.5–8(4)	– 1.5–8(5) 1.5–8(4)
Electrical	Electrical pilot operated		
Certification	EC Type Test Certificate for single valve: not required for mechanical units in II 2G	EC Type Test Certificate for solenoid: PTB-No. 03 Ex IEC 2019X and PTB 03 ATEX 2018X toT5	EC Type Test Certificate for solenoid: PTB-No. 03 Ex IEC 2019X and PTB 03 ATEX 2018X toT5
Category, type of ignition protection	Single valve II 2G c T4T135°C-10°C≤Ta≤+60°C	Solenoid/individual use: II 2G EEx m II T5 -20°C≤Ta≤+50°C Solenoid/manifold mounting: II 2G EEx m II T5 -20°C≤Ta≤+40°C	Solenoid/individual use: II 2G EEx m II T5 -20°C≤Ta≤+50°C Solenoid/manifold mounting: II 2G EEx m II T5 -20°C≤Ta≤+40°C
Voltage type	Alternating current (50/60Hz)	Direct current	
Nominal voltage	230 V ±10% 110 V ±10% 24 V ±10%	24 V ±10%	Other voltages on request
Power rating at Un	G1/8, G1/4, G1/2 3.1 VA (230V) 3.0 VA (110V) 2.5 VA (24V)	G1/8, G1/4, G1/2 3.3 VA (24V)	
Max. power at Un (6)	G1/8, G1/4, G1/2 2.9 VA (230V) 2.8 VA (110V) 2.4 VA (24V)	G1/8, G1/4, G1/2 3.0 VA (24V)	
Electrical protection	IP65 (applies only to solenoid with cable)		
Connection	Cable – cable lengths see Order Instructions		

* Valve Manifold Assemblies with electrically actuated valves -10 to +50°C

(1) Note: For use below freezing point please contact us

(2) Actuation force for valves without spring return, Actuation with rotary lever: 5N

(3) Actuation force for valves with spring return, actuation with rotary lever: 15N

(4) Only for version with biased position pneumatically actuated 2 – 8 bar,
electrically actuated 2.5 – 8 bar

(5) Version with biased position 2.5 – 8 bar

(6) Maximum power if warmed up to thermal load limit

(7) Version "middle position vented" 1000 l/min

(8) Version "middle position vented" 3300 l/min, Version "middle position
pressured" 3600 l/min

(9) 5/3 Way Valve 2.5 – 8 bar

(10) Valves with panel mounting actuators 2 – 8 bar

Valve Combinations with Logic Elements 3/2, 5/2 and 5/3 Way Valves

Actuation Systems:

- Pneumatic
- AND
- OR
- TIMER
- Electrical pilot operated

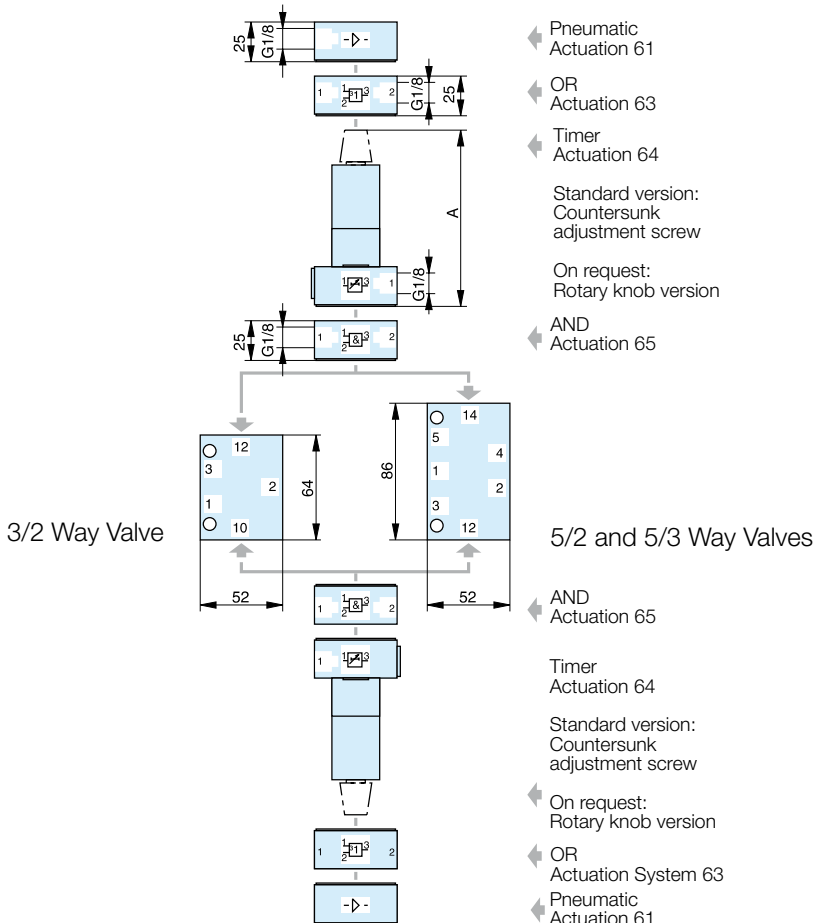
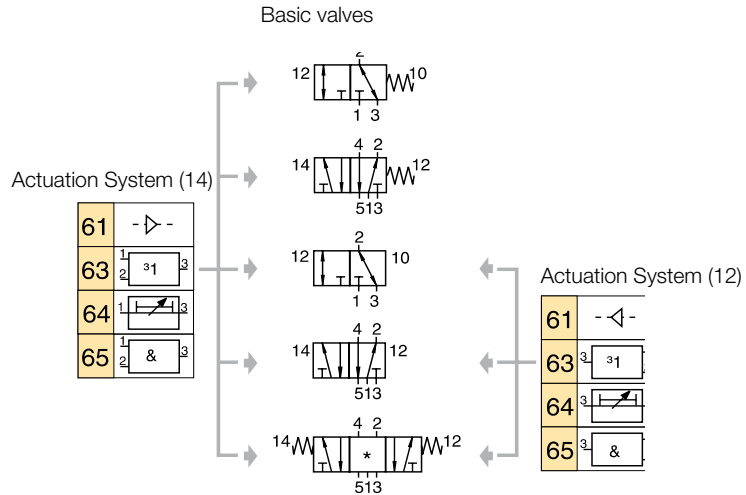
Versions:

- Freely selectable types
- See Order information
- All Timer-Versions on request



Possible combinations:

- * RFG = middle position closed
- RFE = middle position exhausted
- RFB = middle position pressurized



Dimension Table and adjustment ranges	
Adjustment range [s]	Dimension A [mm]
0.1 to 15	103 (133*)
0.1 to 30	117 (147*)
0.1 to 60	150 (180*)

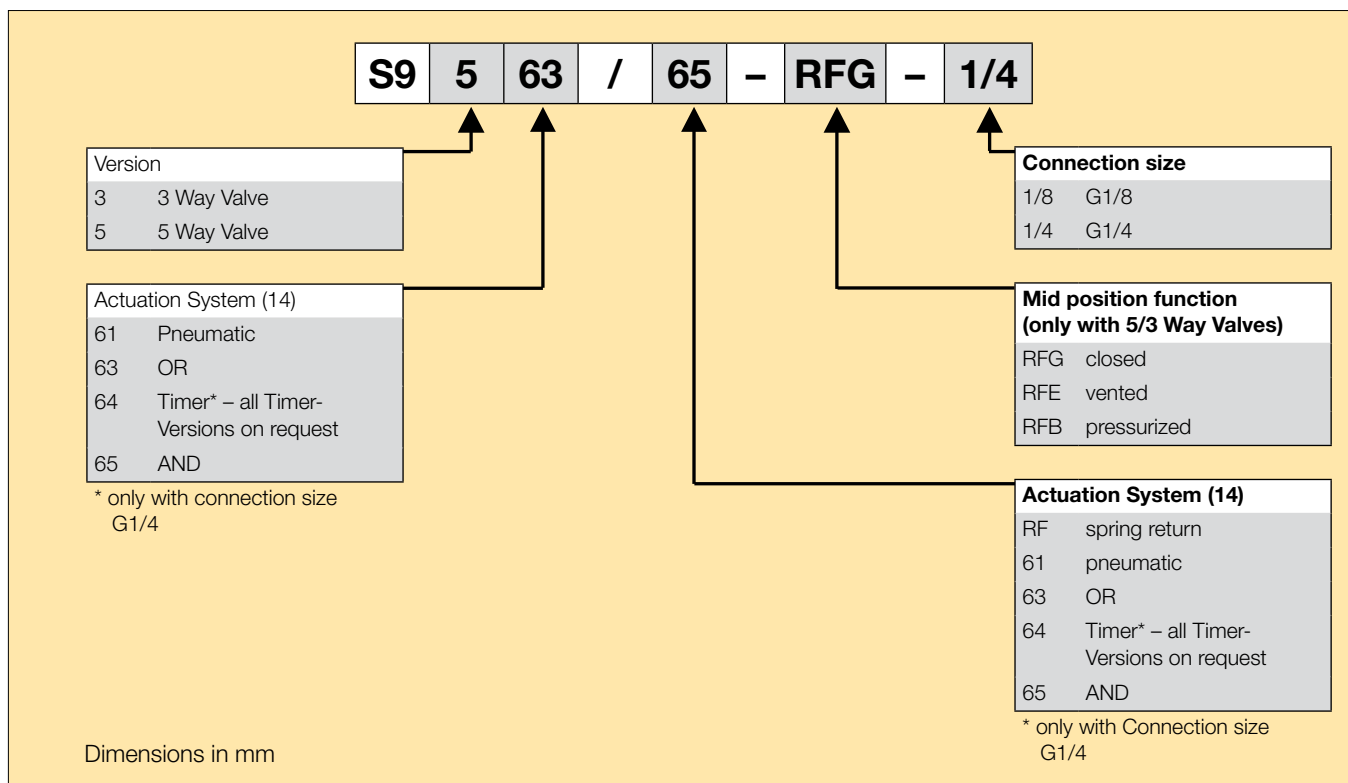
* Version with rotary knob (optional)

Dimension Table and adjustment ranges	
Adjustment range [s]	Dimension A [mm]
0.1 to 15	103 (133*)
0.1 to 30	117 (147*)
0.1 to 60	150 (180*)

* Version with rotary knob (optional)

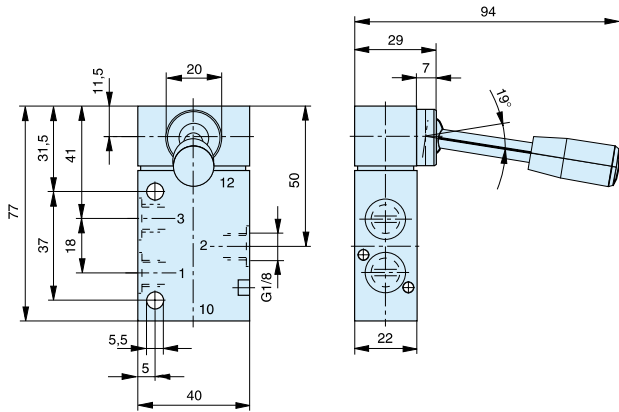
Valve Combinations with Logic Elements 3/2, 5/2 and 5/3 Way Valves

Order Instructions

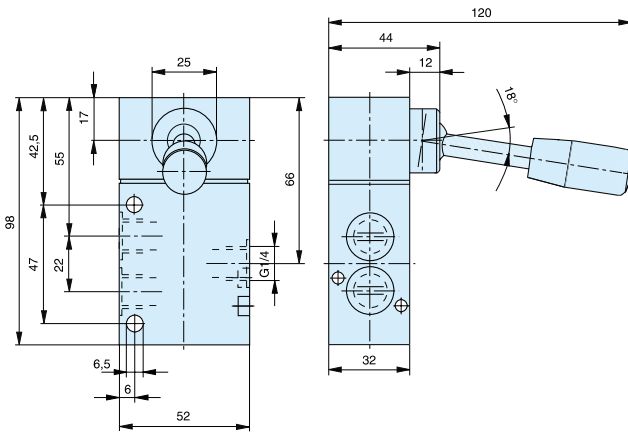


3/2 Way Lever Operated Valves

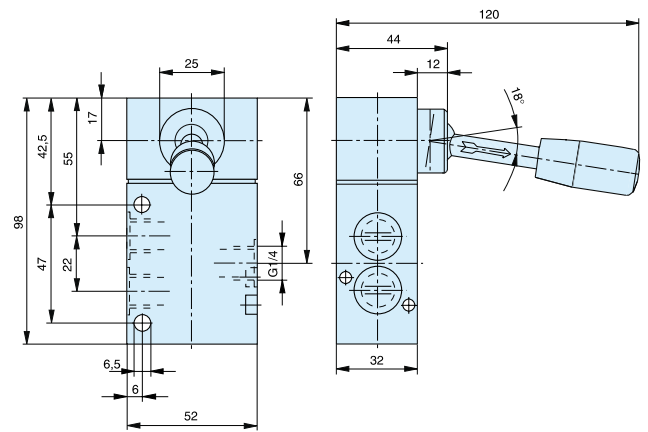
G1/8 Hand lever actuated
Type: S9 311-1/8, S9 311RF-1/8



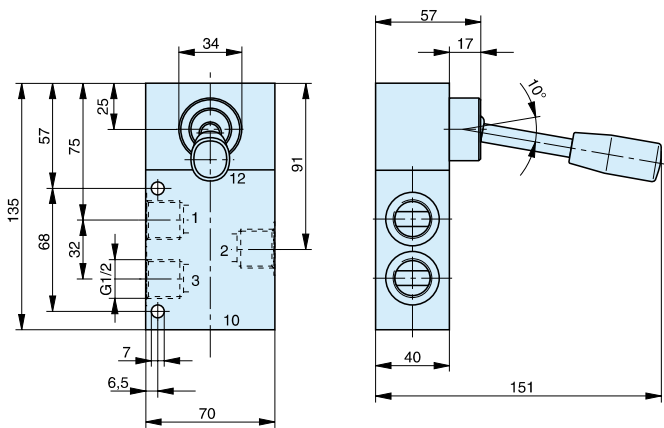
G1/4 Hand lever actuated
Type: S9 311-1/4, S9 311RF-1/4



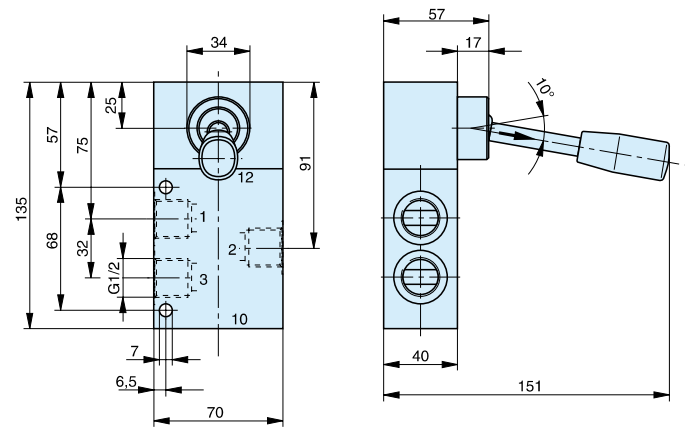
G1/4 Safety hand lever actuated
Type: S9 311S-1/4



G1/2 Hand lever actuated
Type: S9 311-1/2, S9 311RF-1/2



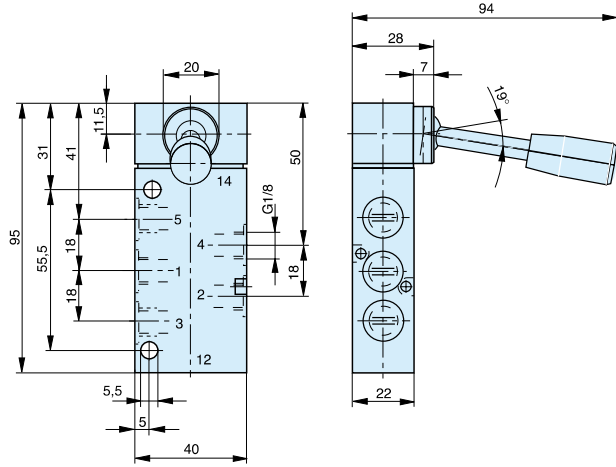
G1/2 Safety hand lever actuated
Type: S9 311S-1/2



5/2 Way Lever Operated Valves

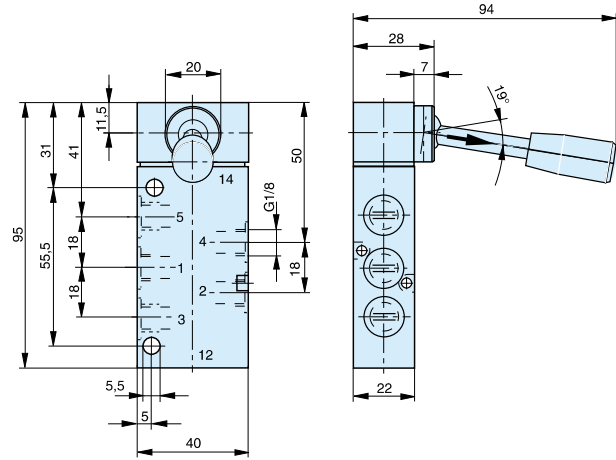
G1/8 Hand lever actuated

Type: S9 511-1/8, S9 511RF-1/8



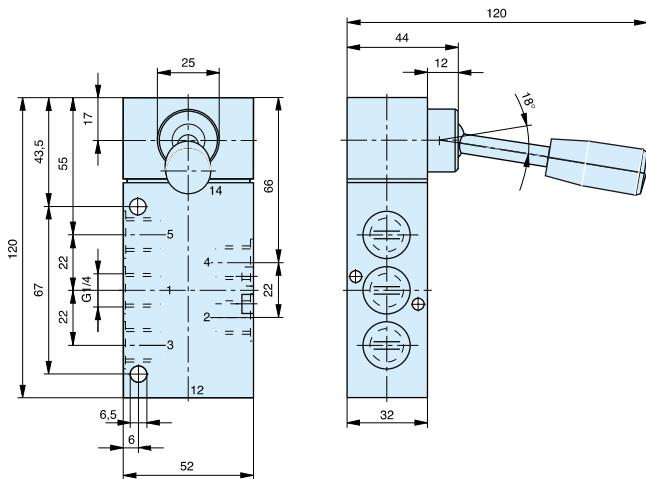
G1/8 Safety Hand lever actuated

Type: S9 511S.-1/8



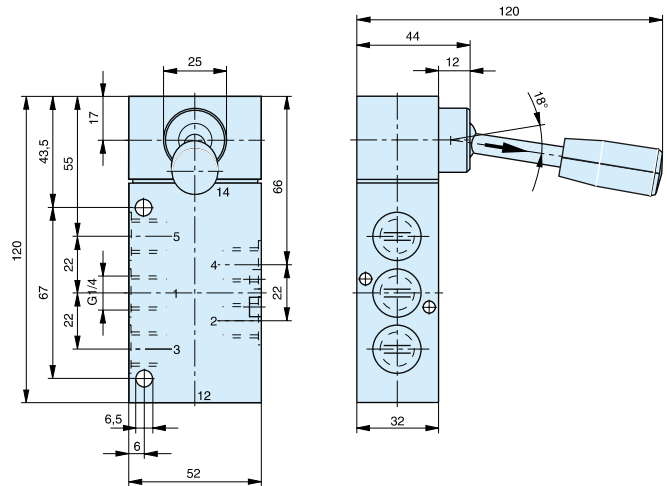
G1/4 Hand lever actuated

Type: S9 511-1/4, S9 511RF-1/4



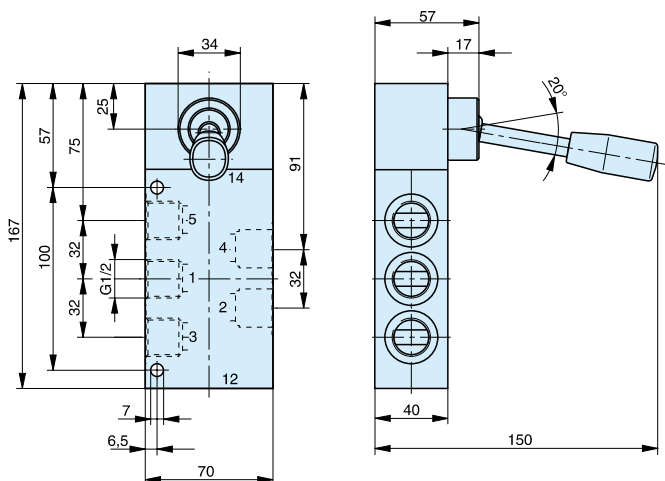
G1/4 Safety hand lever actuated

Type: S9 511S-1/4



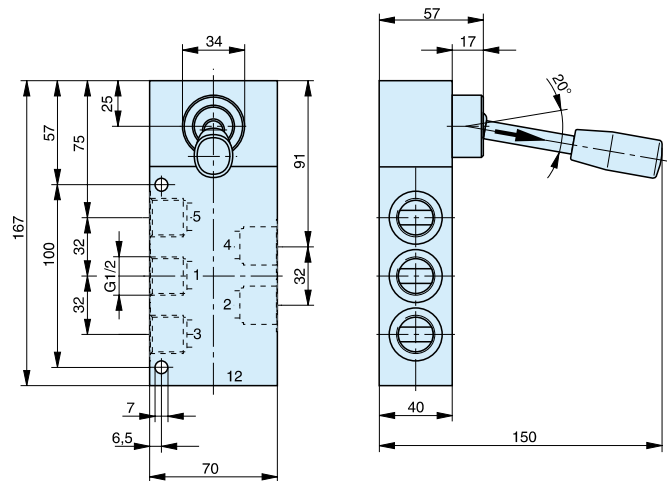
G1/2 Hand lever actuated

Type: S9 511-1/2, S9 511RF-1/2



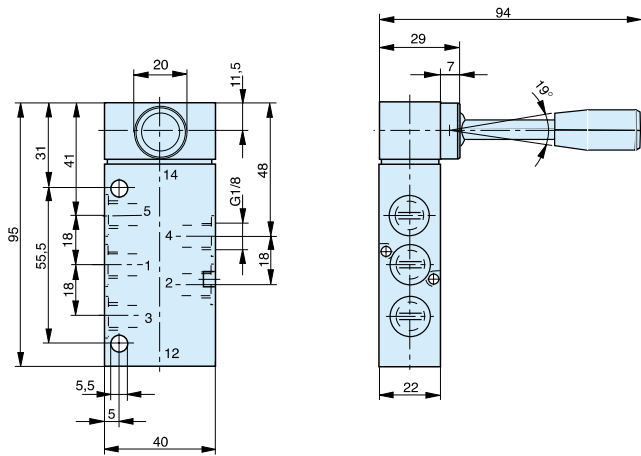
G1/2 Safety hand lever actuated

Type: S9 511S-1/2

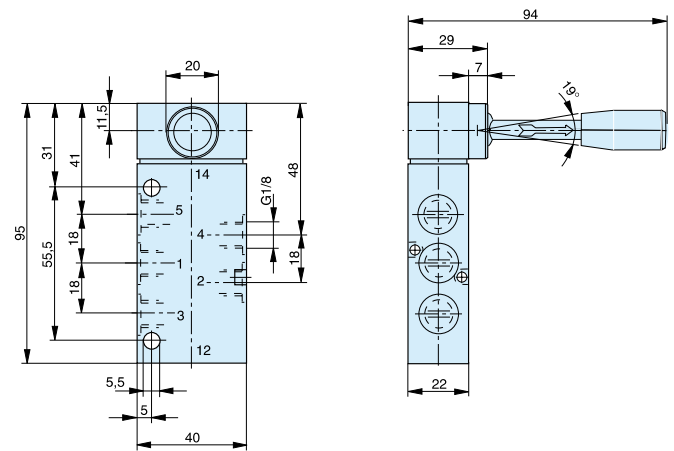


5/3 Way Lever Operated Valves

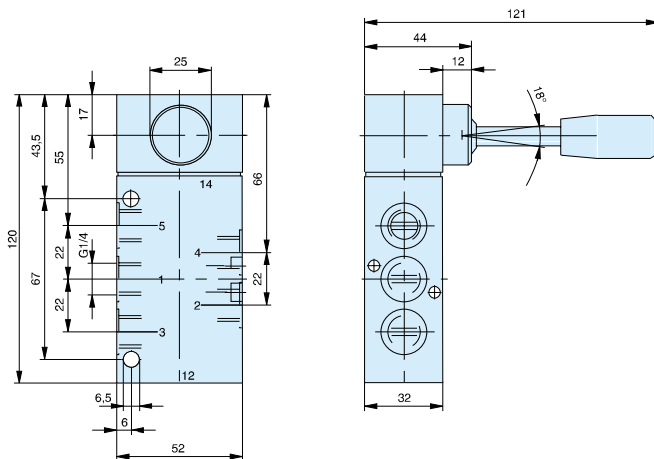
G1/8 Hand lever actuated
 Type: S9 511.-1/8, S9 511RF.-1/8



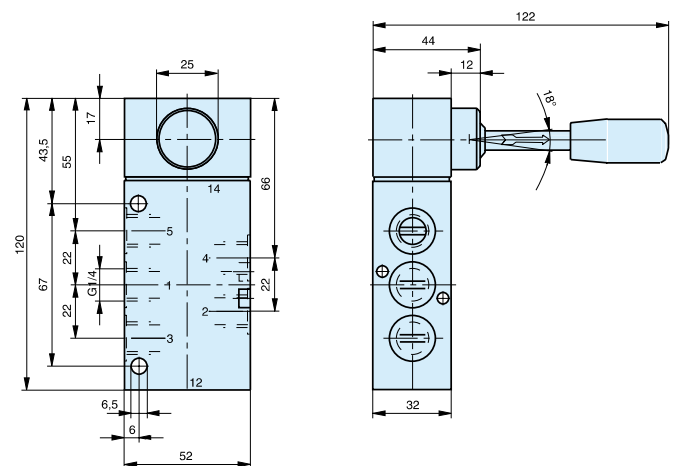
G1/8 Safety Hand lever actuated
 Type: S9 511S.-1/8



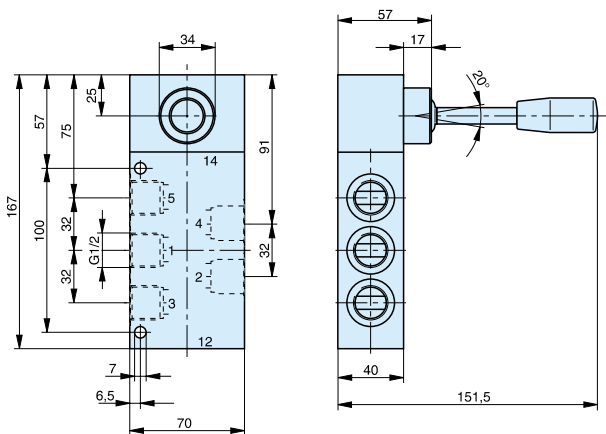
G1/4 Hand lever actuated
 Type: S9 511.-1/4, S9 511RF.-1/4



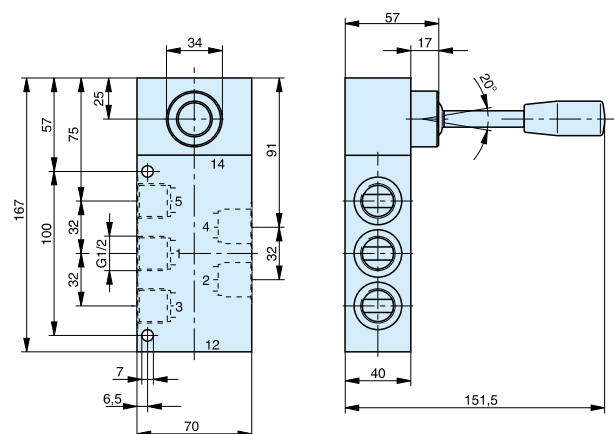
G1/4 Safety hand lever actuated
 Type: S9 511S.-1/4



G1/2 Hand lever actuated
 Type: S9 511.-1/2, S9 511RF.-1/2



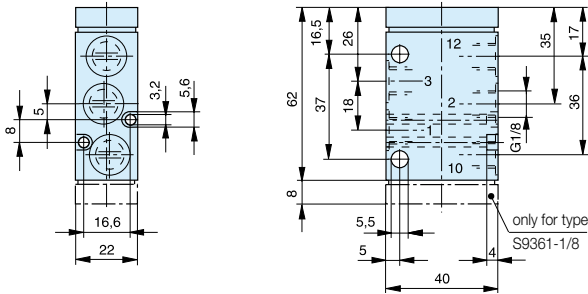
G1/2 Safety hand lever actuated
 Type: S9 511S.-1/2



G1/8 - 3/2 Way Valves

Pneumatically actuated

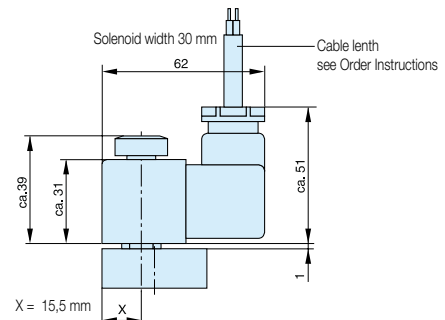
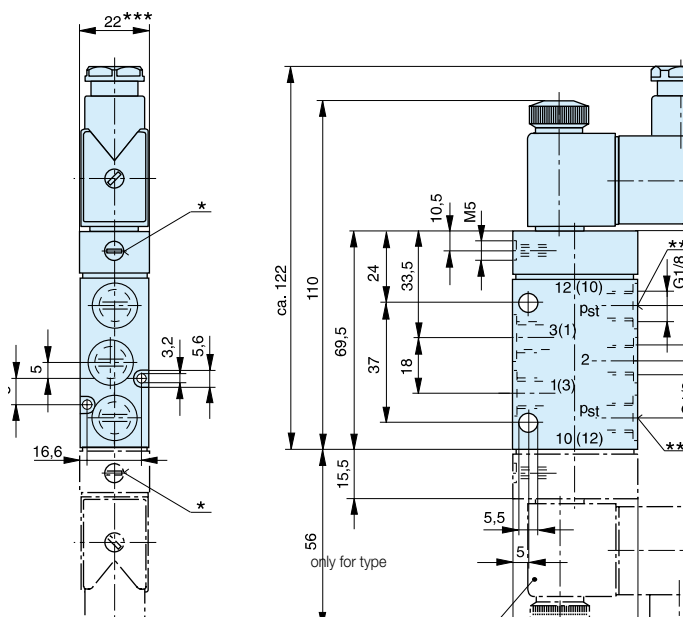
Type: S9 361-1/8, S9 361RF-1/8



Electrically actuated

Type: S9 381(S)-1/8, S9 381(S)RF-1/8

Solenoid for use in EX areas – Dimensions



- * Manual override
- ** Operating pressure supply p_{st} only for type S9 381S
- *** Solenoid width = 30 mm on low wattage coil version

Dimensions in mm

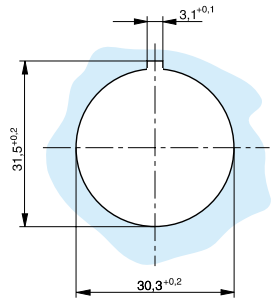
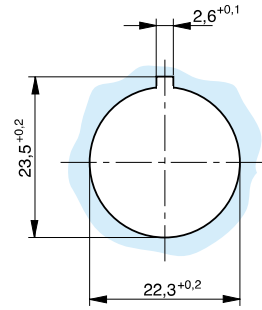
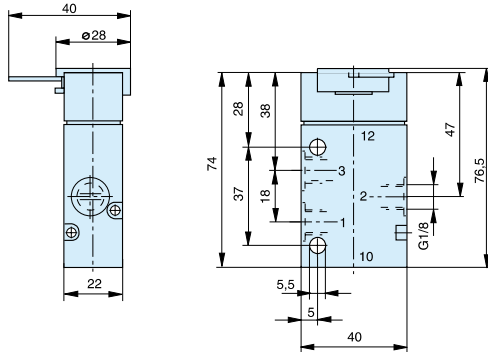
G1/8 - 3/2 Way Valves

Basic valve for panel mounting actuators
Type: S9 390RF-1/8

Mounting diameter

Mounting diameter Ø22 mm

Mounting diameter Ø30 mm



The actuators for these valves are interchangeable and can be mounted with 180° displacement on the basic valve. The actuators are not mounted upon delivery.

Rotary lever, indexed – Type: 12T-22, 12T-30,

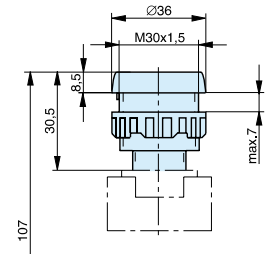
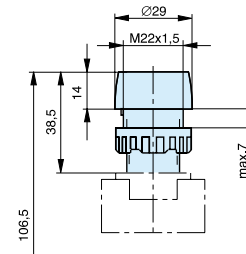
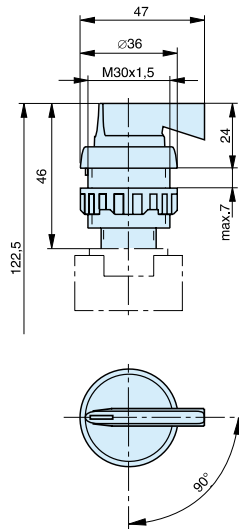
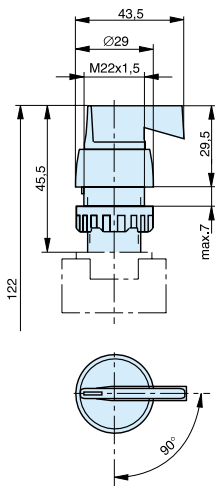
Pushbutton – Type: 13T-RF-22, 13T-RF-30

Mounting diameter Ø22 mm

Mounting diameter Ø30 mm

Mounting diameter Ø22 mm

Mounting diameter Ø30 mm



Dimensions in mm

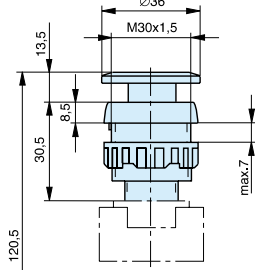
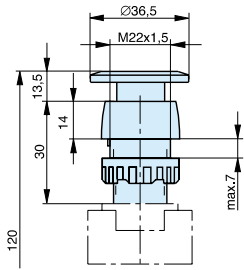
G1/8 - 3/2 Way Valves

Mushroom pushbutton

Type: 15T-RF-22, 15T-RF-30

Mounting diameter Ø22 mm

Mounting diameter Ø30 mm

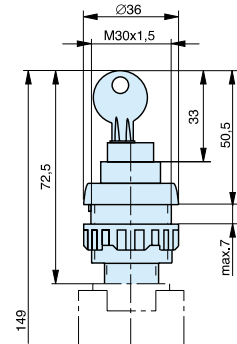
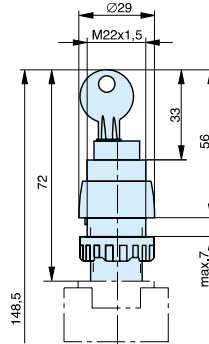


Locking switch

Type: 16T-22, 16T-30

Mounting diameter Ø22 mm

Mounting diameter Ø30 mm

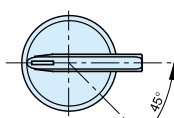
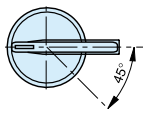
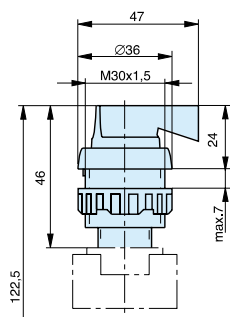
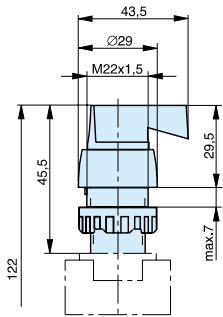


Rotary lever with spring return

Type: 12T-RF-22, 12T-RF-30

Mounting diameter Ø22 mm

Mounting diameter Ø30 mm

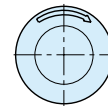
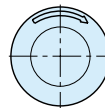
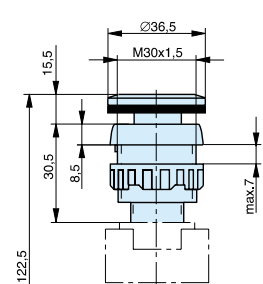
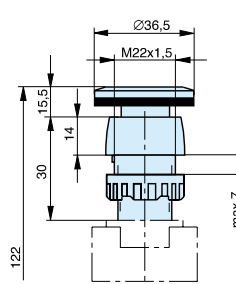


Mushroom pushbutton emergency-Off

Type: 18T-22, 18T-30

Mounting diameter Ø22 mm

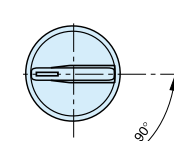
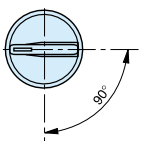
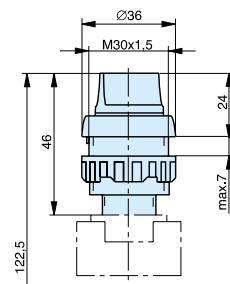
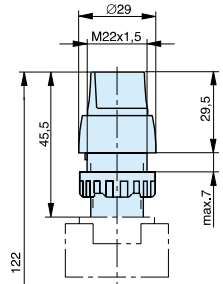
Mounting diameter Ø30 mm



Rotary switch – Type: 17T-22, 17T-30

Mounting diameter Ø22 mm

Mounting diameter Ø30 mm

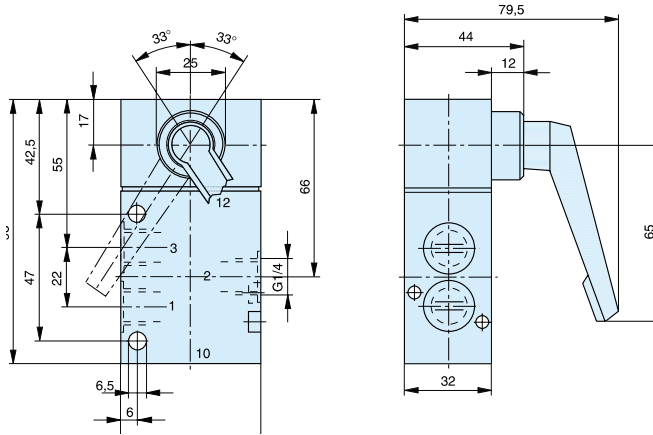


Dimensions in mm

G1/4 - 3/2 Way Valves

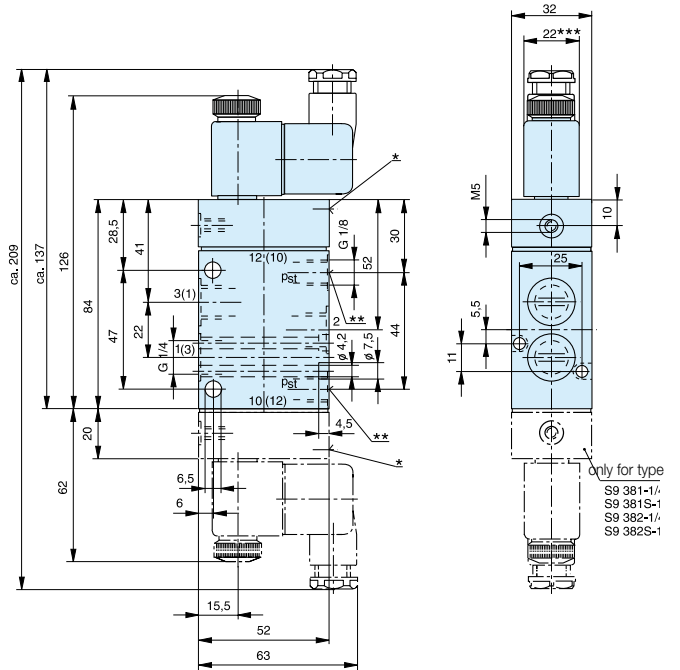
Rotary lever actuated

Type: S9 312-1/4, S9 312RF-1/4



Electrically actuated

– Type: S9 381(S)-1/4, S9 382(S)-1/4,
 S9 381(S)RF-1/4



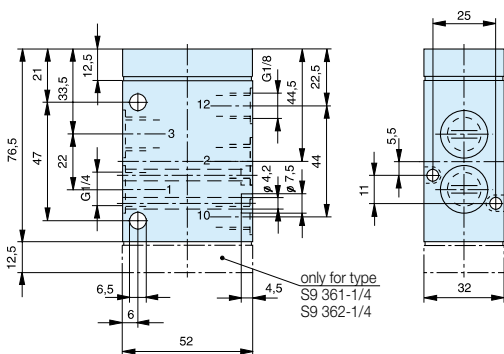
- * Manual override
- ** Operating pressure supply p_{st} only for type S9 381S
- *** Solenoid width = 30 mm on low wattage coil version

Note:

The “normally open” valve S9 381S-RF-1/4 cannot be used on a P-supply manifold.

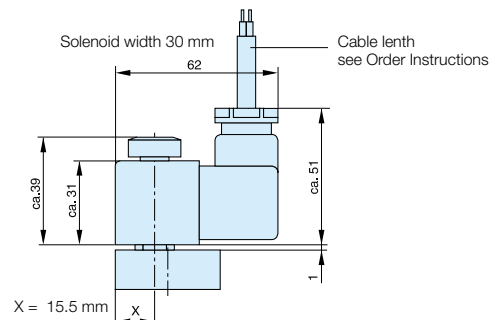
Pneumatically actuated

Type: S9 361-1/4, S9 362-1/4, S9 361RF-1/4



Solenoid for use in EX areas

Dimensions

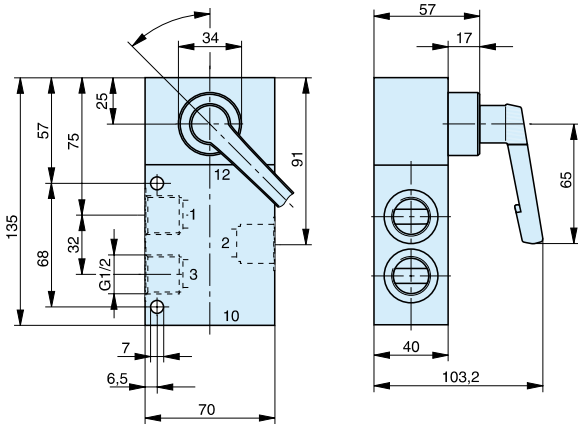


Dimensions in mm

G1/2 - 3/2 Way Valves

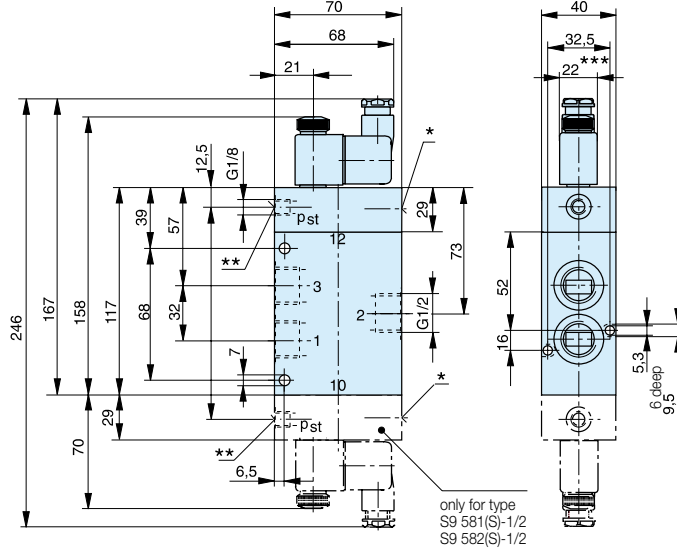
Rotary lever actuated

Type: S9 312-1/2, S9 312RF-1/2



Electrically actuated

Type: S9 381(S)-1/2, S9 382(S)-1/2, S9 381(S)RF-1/2



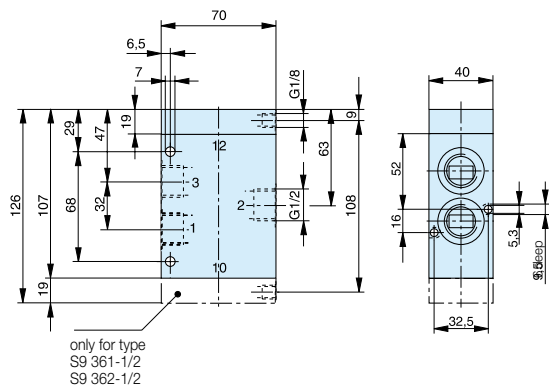
- * Manual override
- ** Operating pressure supply p_{st} only for type S9 381S
- *** Solenoid width = 30 mm on low wattage coil version

Note:

The "normally open" valve S9 381S-RF-1/2 cannot be used on a P-supply manifold.

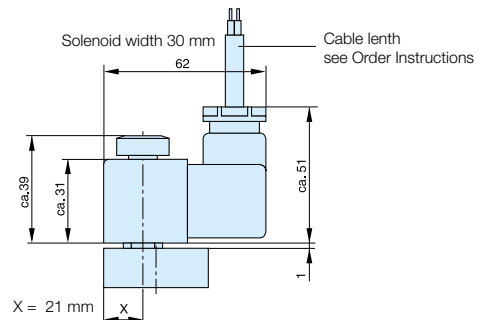
Pneumatically actuated

Type: S9 361-1/2, S9 361RF-1/2



Solenoid for use in EX areas

Dimensions

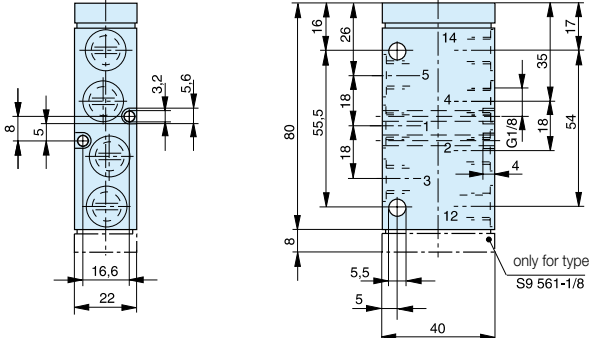


Dimensions in mm

G1/8 - 5/2 Way Valves

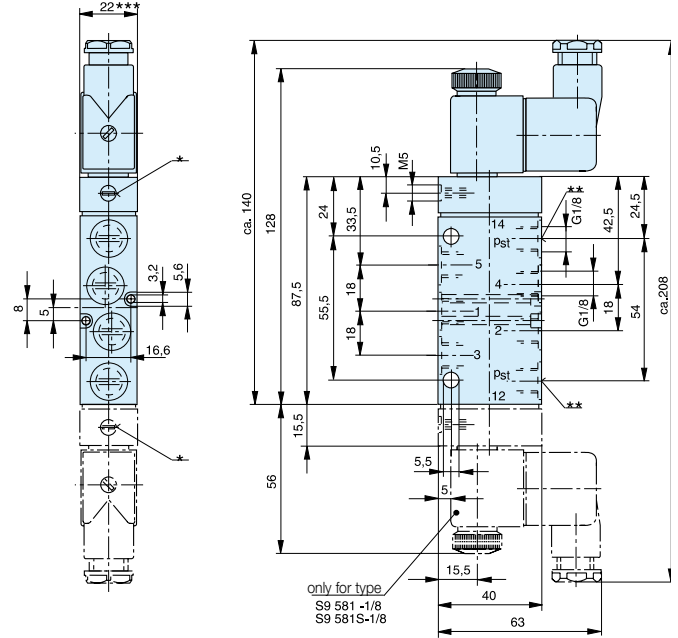
Pneumatically actuated

Type: S9 561-1/8, S9 561RF-1/8



Electrically actuated

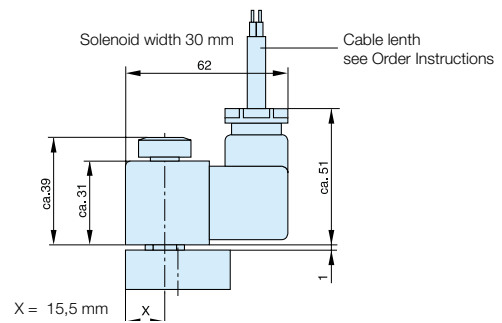
Type: S9 581(S)-1/8, S9 581(S)RF-1/8, S9 582-1/8



- * Manual override
- ** Operating pressure supply p_{st} only for type S9 581S
- *** Solenoid width = 30 mm on low wattage coil version

Solenoid for use in EX areas

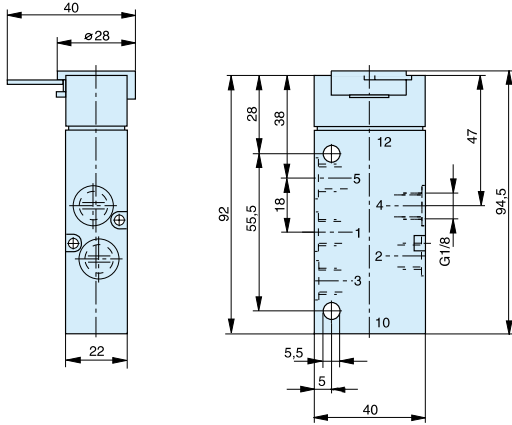
Dimensions



Dimensions in mm

G1/8 - 5/2 Way Valves

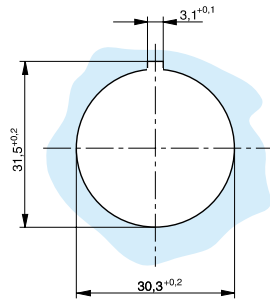
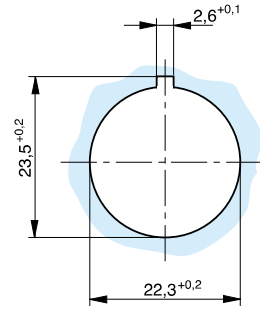
Basic valve for panel mounting actuators
 Type: S9 590RF-1/8



Mounting diameter

Mounting diameter $\varnothing 22$ mm

Mounting diameter $\varnothing 30$ mm

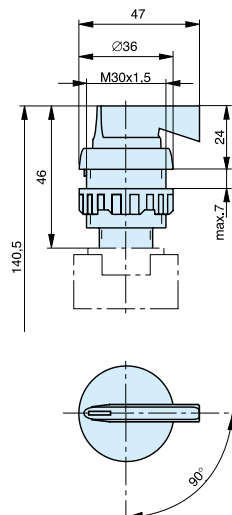
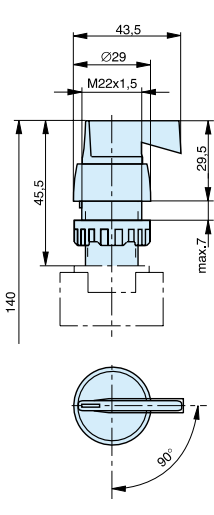


The actuators for these valves are interchangeable and can be mounted with 180° displacement on the basic valve. The actuators are not mounted upon delivery.

Rotary lever, indexed
 Type: 12T-22, 12T-30

Mounting diameter $\varnothing 22$ mm

Mounting diameter $\varnothing 30$ mm

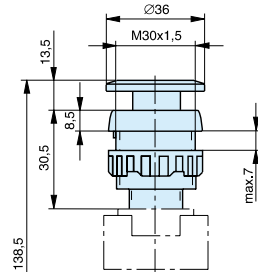
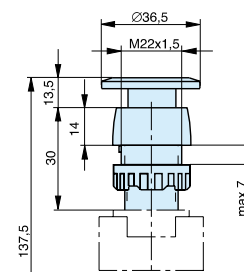


Mushroom pushbutton

Type: 15T-RF-22, 15T-RF-30

Mounting diameter $\varnothing 22$ mm

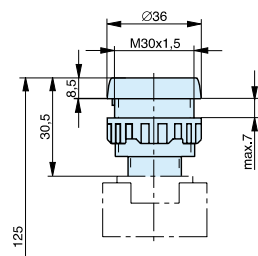
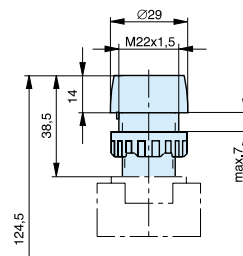
Mounting diameter $\varnothing 30$ mm



Pushbutton - Type: 13T-RF-22, 13T-RF-30

Mounting diameter $\varnothing 22$ mm

Mounting diameter $\varnothing 30$ mm



Dimensions in mm

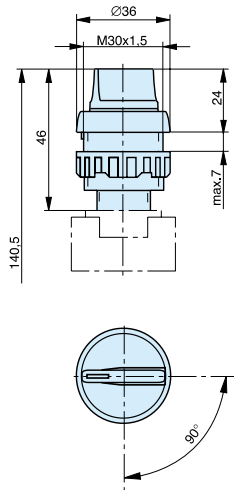
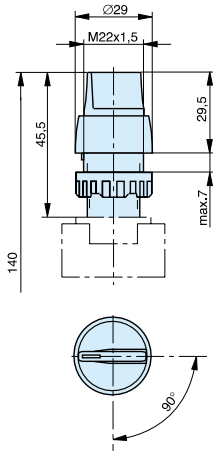
G1/8 - 5/2 Way Valves

Rotary switch

Type: 17T-22, 17T-30

Mounting diameter Ø22 mm

Mounting diameter Ø30 mm

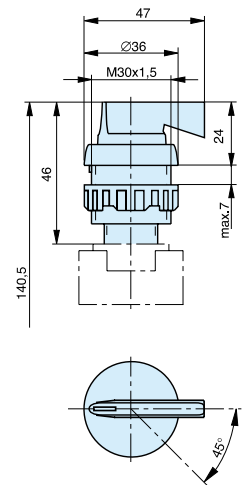
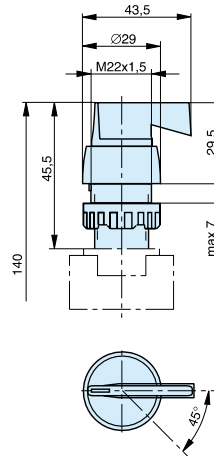


Rotary lever with spring return

Type: 12T-RF-22, 12T-RF-30

Mounting diameter Ø22 mm

Mounting diameter Ø30 mm

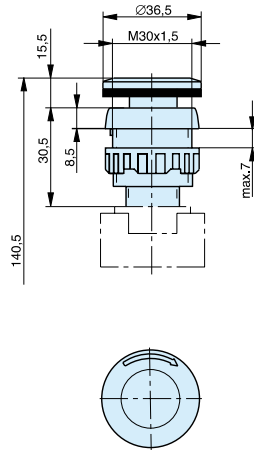
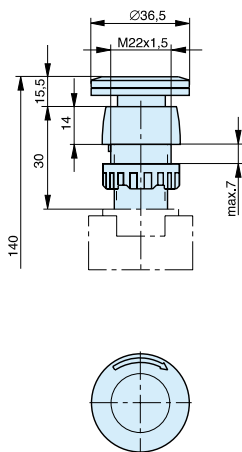


Mushroom pushbutton emergency-Off

Type: 18T-22, 18T-30

Mounting diameter Ø22 mm

Mounting diameter Ø30 mm

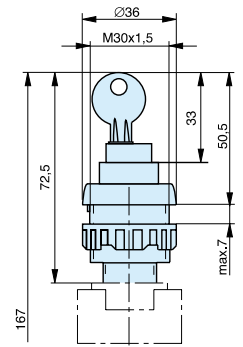
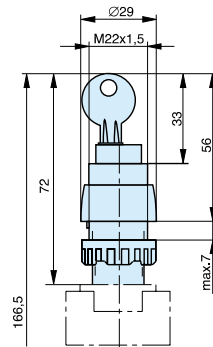


Locking switch

Type: 16T-22, 16T-30

Mounting diameter Ø22 mm

Mounting diameter Ø30 mm

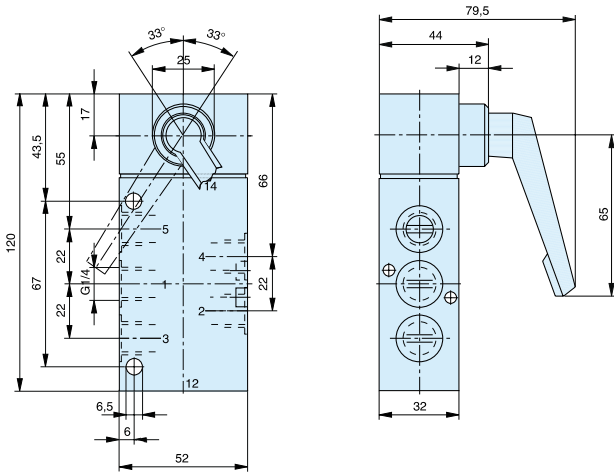


Dimensions in mm

G1/4 - 5/2 Way Valves

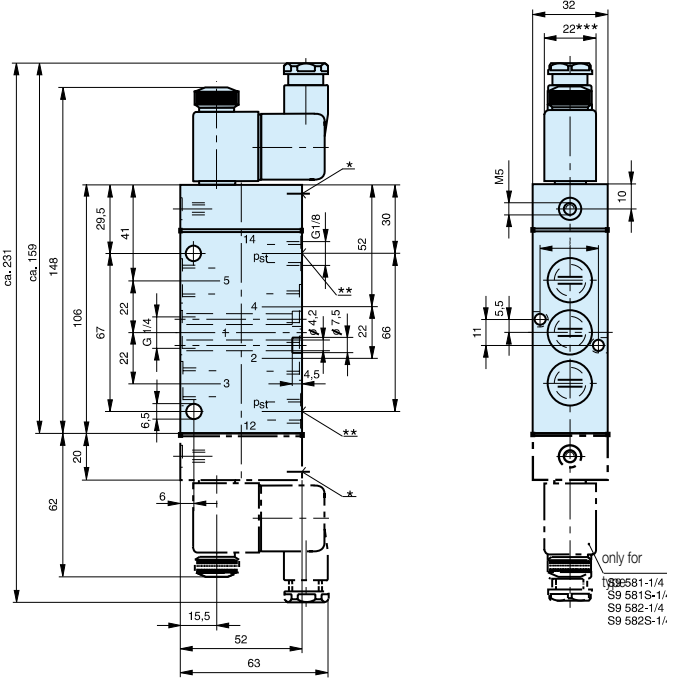
Rotary lever actuated

Type: S9 512-1/4, S9 512RF-1/4



Electrically actuated

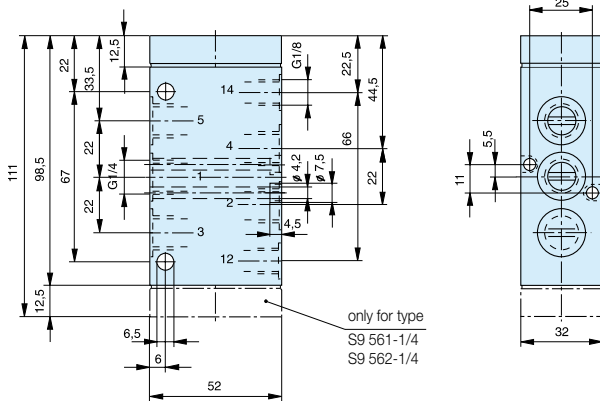
Type: S9 581(S)-1/4, S9 582(S)-1/4, S9 581(S)RF-1/4



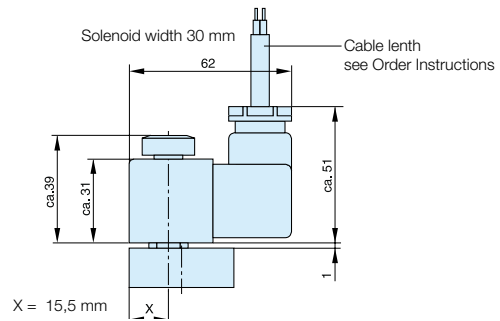
- * Manual override
- ** Operating pressure supply p_{st} only for type S9 581S
- *** Solenoid width = 30 mm on low wattage coil version

Pneumatically actuated

Type: S9 561-1/4, S9 562-1/4, S9 561RF-1/4



Solenoid for use in EX areas
Dimensions

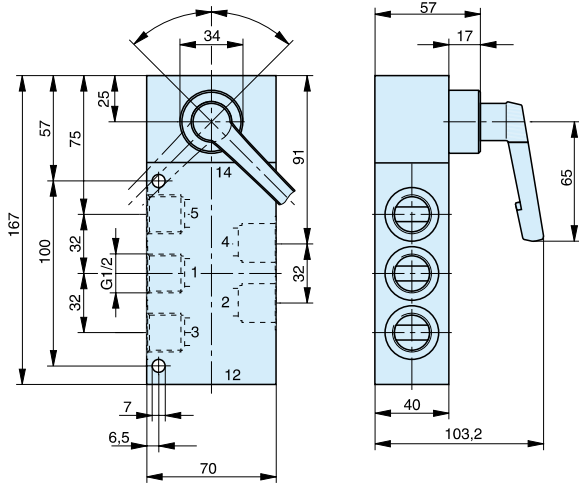


Dimensions in mm

G1/2 - 5/2 Way Valves

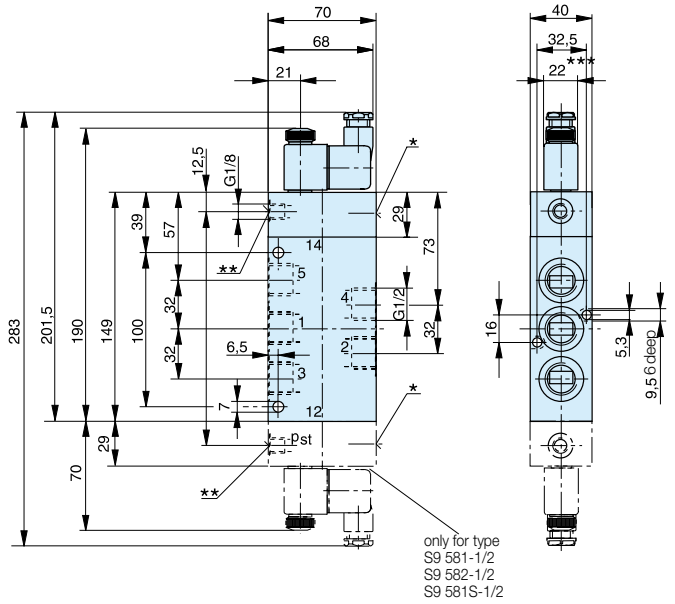
Rotary lever actuated

Type: S9 512-1/2, S9 512RF-1/2



Electrically actuated

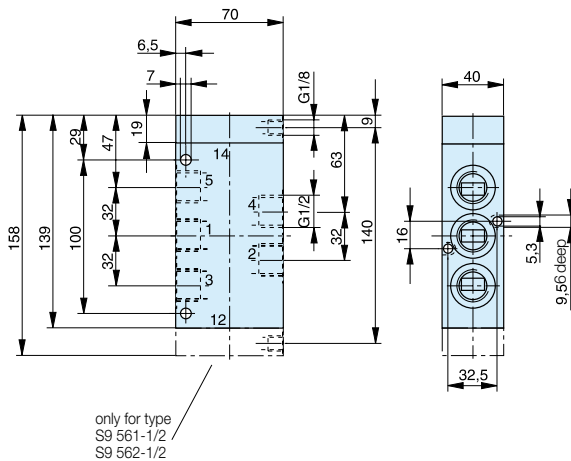
Type: S9 581(S)-1/2, S9 582-1/2, S9 581(S)RF-1/2



- * Manual override
- ** Operating pressure supply p_{st} only for type S9 581S
- *** Solenoid width is 30 mm on low wattage coil version

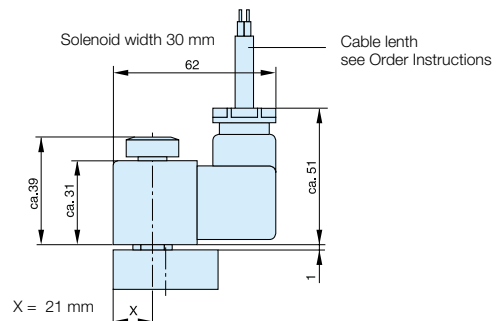
Pneumatically actuated

Type: S9 561-1/2, S9 561RF-1/2, S9 562-1/2



Solenoid for use in EX areas

Dimensions

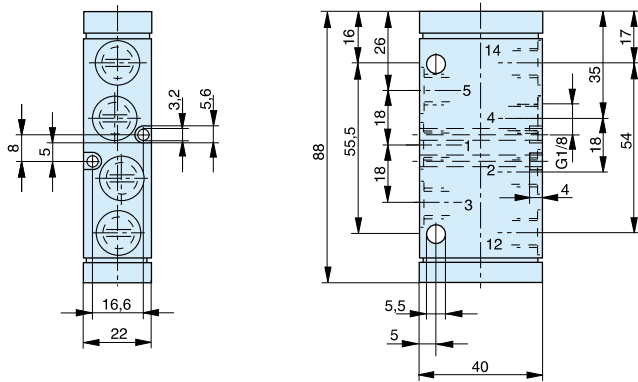


Dimensions in mm

G1/8 - 5/3 Way Valves

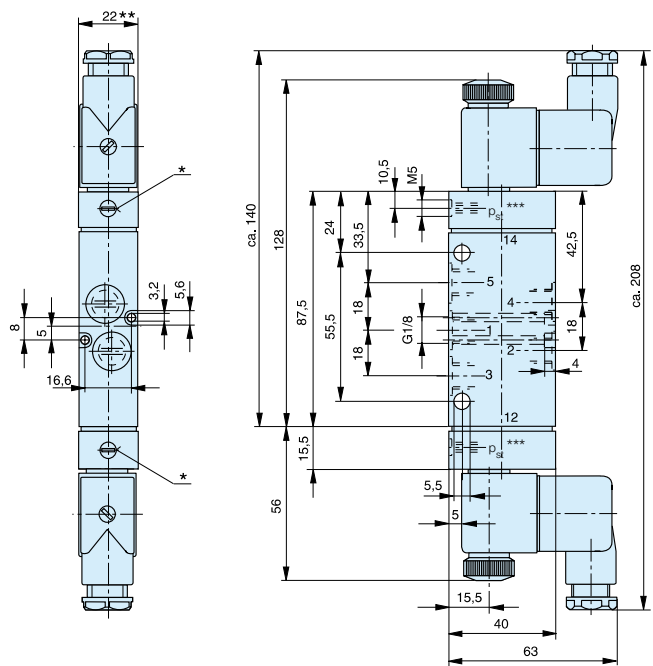
Pneumatically actuated

Type: S9 561RF.-1/8



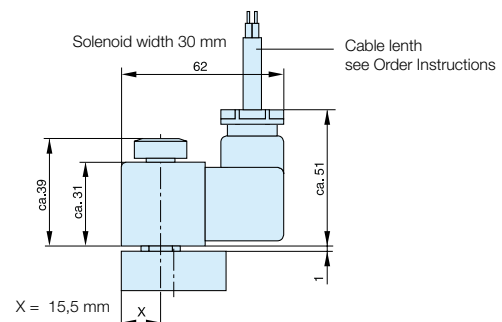
Electrically actuated

Type: S9 581(S)-RF.-1/8



Solenoid for use in EX areas

Dimensions



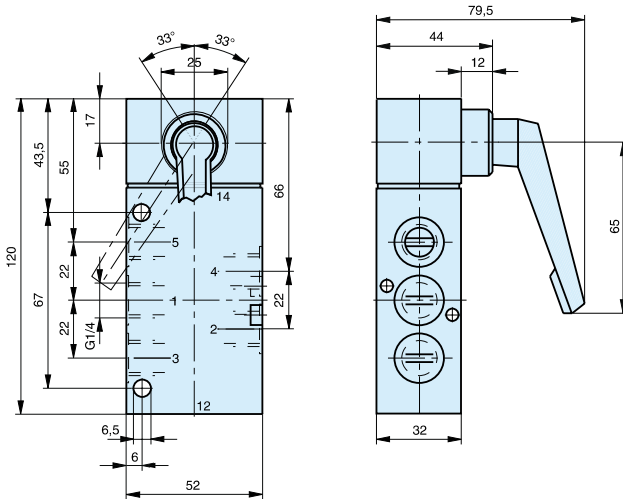
- * Manual override
- ** Solenoid width = 30 mm on low wattage coil version
- *** Operating pressure supply p_{st} only for type S9 581S

Dimensions in mm

G1/4 - 5/3 Way Valves

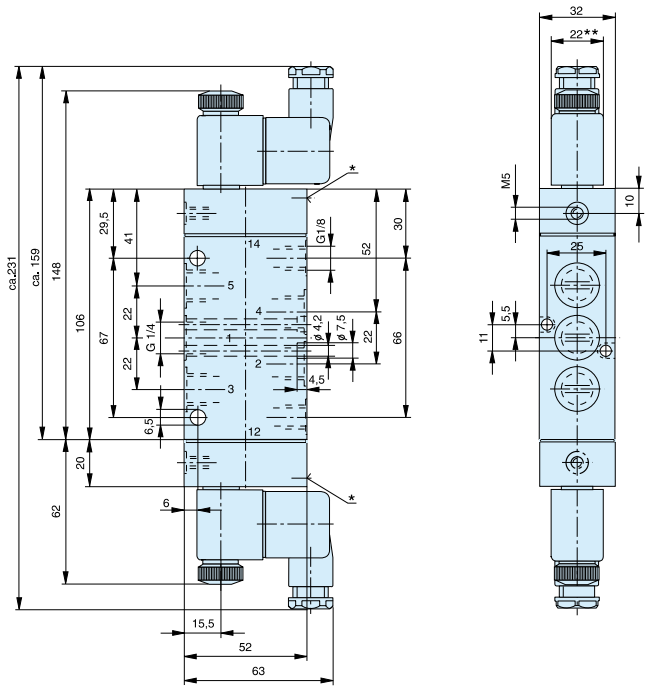
Rotary lever actuated

Type: S9 512.-1/4, S9 512RF.-1/4



Electrically actuated

Type: S9 581RF.-1/4

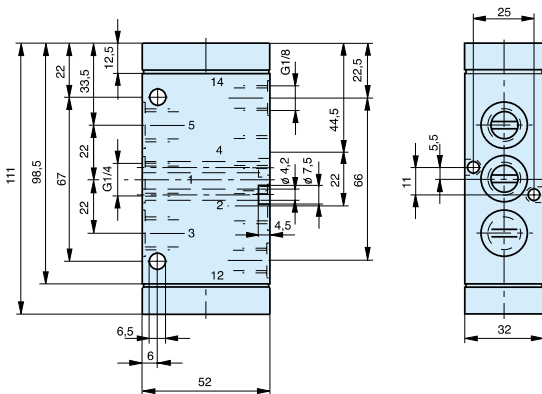


* Manual override

** Solenoid width is 30 mm on low wattage coil version

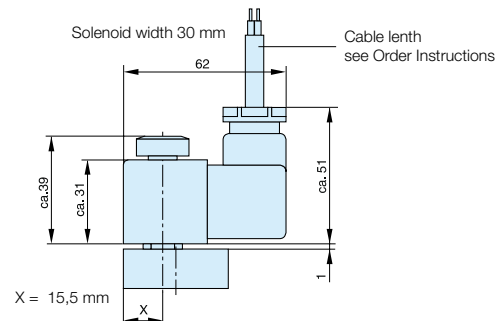
Pneumatically actuated

Type: S9 561RF.-1/4



Solenoid for use in EX areas

Dimensions

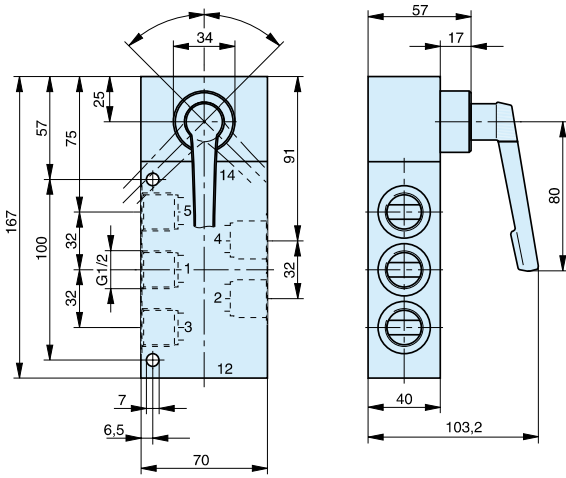


Dimensions in mm

G1/2 - 5/3 Way Valves

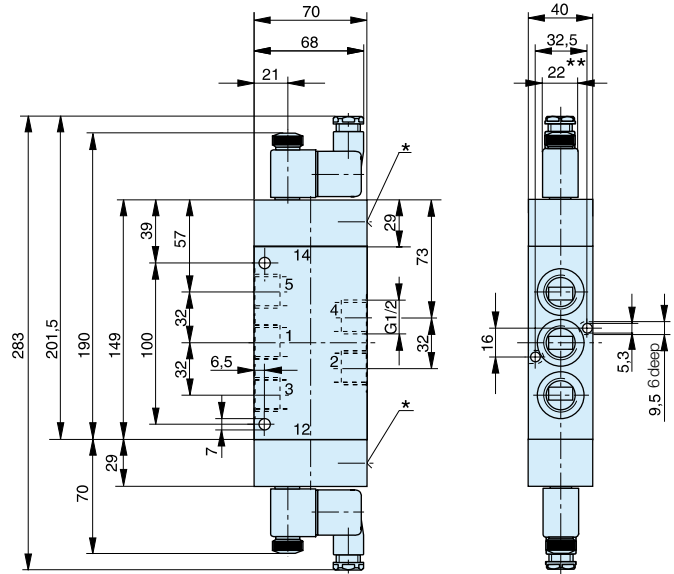
Rotary lever actuated

Type: S9 512.-1/2, S9 512RF.-1/2



Electrically actuated

Type: S9 581RF.-1/2

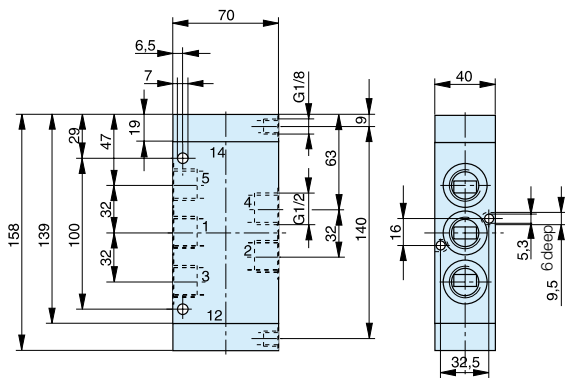


* Manual override

** Solenoid width is 30 mm on low wattage coil version

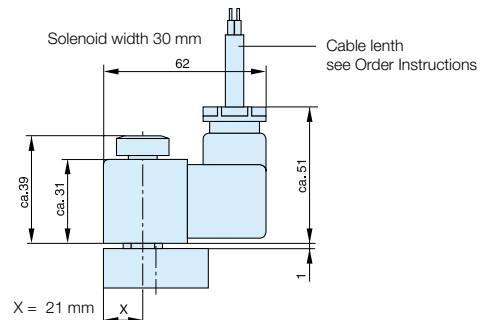
Pneumatically actuated

Type: S9 561RF.-1/2



Solenoid for use in EX areas

Dimensions



Dimensions in mm

5/2-Way Oscillating Valves

The oscillating valve generates oscillating movements such as e.g. shaking, hammering, plunging, feed motions etc.

Function:

If compressed air is introduced into inlet port 1, the outlet ports 4 and 2 are alternately supplied with compressed air.

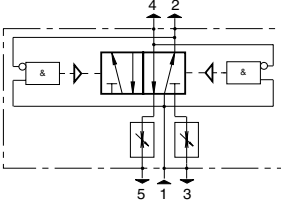
The speed of the operated cylinder and also the stroke frequency are adjusted with two exhaust air throttles.



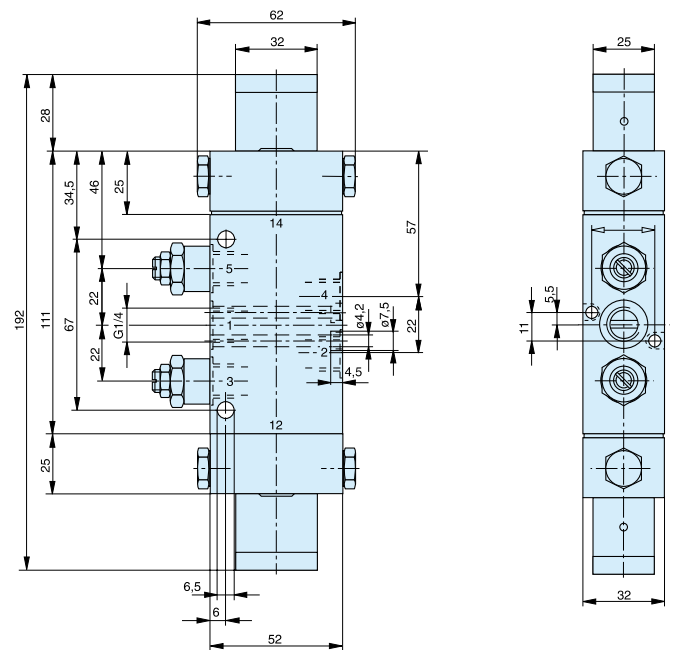
Operating information

Type	Spool valve	Lubrication *	None or oil mist lubrication
Mounting	2 Screws M6 (M4)	Pneumatic Characteristics	
Tube connection	Thread	Nominal pressure	6 bar
Connection size	G1/4, 11 deep	Operating pressure range	3–8 bar
Weight (mass)	0.65 kg	Nominal flow	1300 l/min
Installation	In any position	Actuation	
Ambient temperature range **	-10 °C to +60 °C	Pneumatic	Direct
Medium temperature range **	-10 °C to +60 °C	Actuation pressure range	3–8 bar
Medium	Filtered and oiled or filtered, unoled compressed air		

* We recommend the use of mineral oil type VG 32 to ISO 3448
 ** Note: Please consult us for operating temperatures below 0° C

Symbol	Type	Order Code
	S9 568/68-1/4-SO	PD 34796

Pneumatic oscillating – Type: S9 568/68-1/4-SO



Dimensions in mm

3/2-Way Screw-In Valve Series EV



Operating information

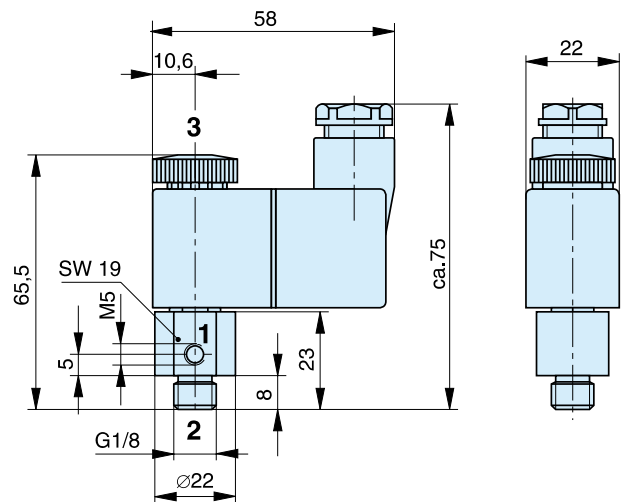
Actuation	Electrical directly operated	Actuation		
Type	Poppet valve, normally closed	Electrical	Direct	
Mounting	Screws into thread G1/8	Voltage type	Alternating current (50/60Hz)	Direct current
Tube connection	Thread	Nominal voltage ⁽¹⁾		
Port size	Port 1: M5, port 2: G1/8	- Standard version **	230 ±10%	24 ±10%
Weight	0.1 kg	- Low wattage version	230 ±10%	24 ±10%
Nominal diameter	1 mm	Initial power consumption		
Installation	in any position	- Standard version (VA)	11	4.8
Ambient temperature range	-10 °C to +60 °C	- Low wattage version (VA)	7.8	2.7
Medium temperature range	-10 °C to +60 °C	Continuous consumption		
Medium	Filtered compressed air (30µ)	- Standard version (VA)	8.5	4.8
Lubrication	With or without oil mist lubrication (We recommend the use of mineral oil type VG 32 to ISO 3448)	- Low wattage version (VA)	4.9	2.7
		Duty cycle	100%	
		Electrical protection	IP 65 to DIN 40050 (applies only to solenoid with plug)	
		Connection	Plug to DIN EN 175301-803 form B – industrial standard, Low wattage version form A	
Pneumatic Characteristics				
Nominal pressure	6 bar			
Operating pressure range	0 – 10 bar			
Nominal flow	30 l/min			

(¹ see Order Instructions
** other voltages on request

Order Instructions – 3/2 Way Screw-In Valve – Series EV

Actuation	Symbol	Order Instructions
		Type Order code
Electrical, by permanent signal		EV 381RF-M5-.. PD25076-..33
Solenoid version	Nominal voltage	Key code
Cast	24V =	02
encapsulated housing	230V 50/60Hz	61
	Other voltages on request	

3/2 Way Valve – Type: EV 381RF-M5



Dimensions in mm

3/2-Way Valve Series V9

NW 1.3 and 2.5

Actuation System:

- Electrically actuated, directly actuated

Versions:

Threaded version

- Normally closed
- Normally open
- With manual override

**Operating information**

Type	Poppet valve		
Mounting	2 Screws M3 (NW 2.5: 2 x M4)		
Tube connection	Thread		
Thread	G1/8 – 8 deep		
Weight	NW 1.3: 0.140 kg NW 2.5: 0.320 kg		
Installation	In any position		
Ambient temperature range (1)	-10 °C to +60 °C	Note :	Please consult us for operating temperatures below 0° C
Medium temperature range (1)	-10 °C to +70 °C		
Medium	Filtered compressed air		
Lubrication	With or without oil mist lubrication (We recommend the use of mineral oil type VG 32 to ISO 3448)		

Pneumatic Characteristics

Nominal pressure	6 bar		
Operating pressure range	NW 1.3: 0–10 bar NW 2.5: 0-7 bar		
Nominal flow	NW 1.3: 37 l/min NW 2.5: 150 l/min		

Actuation

Electrical	Direct		
Voltage type	Alternating current (50/60Hz)	Direct current	

Nominal voltage

– Standard version	230 V ±10%	24 V ±10%	other voltages on request
– Low wattage version	230 V ±10% (not for V9-NW 2.5)	24 V ±10% (not for V9-NW 2.5)	

Initial power consumption

– Standard version	NW 1.3: 11 VA NW 2.5: 11.5 VA	NW 1.3: 4.8 VA NW 2.5: 10 VA
– Low wattage version	7.8 VA	2.7 VA

Continuous consumption

– Standard version	NW 1.3: 8.5 VA NW 2.5: 7.5 VA	NW 1.3: 4.8 VA NW 2.5: 7.5 VA
– Low wattage version	4.9 VA	2.7 VA

Duty cycle

100%

Electrical protection

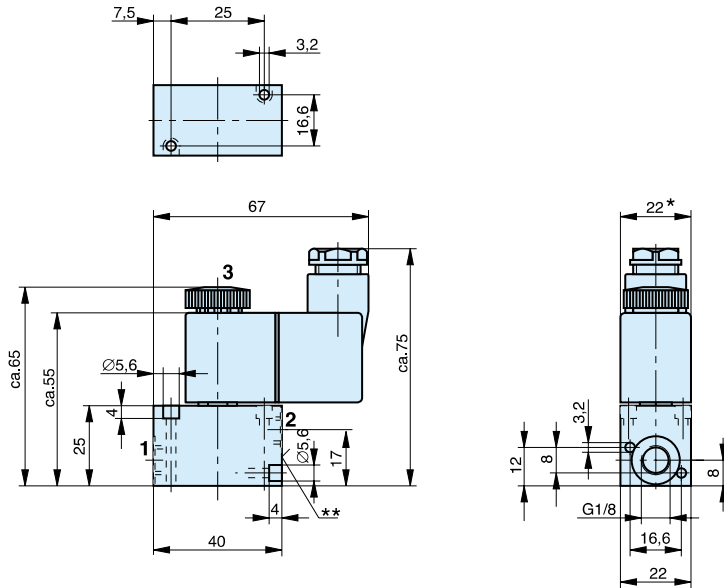
IP 65 to DIN 40050 (applies only to solenoid with connector)

Connection

NW 1.3: connector to DIN EN 175301-803 form B – industrial standard
NW 2.5: connector to DIN EN 175301-803 form A – industrial standard

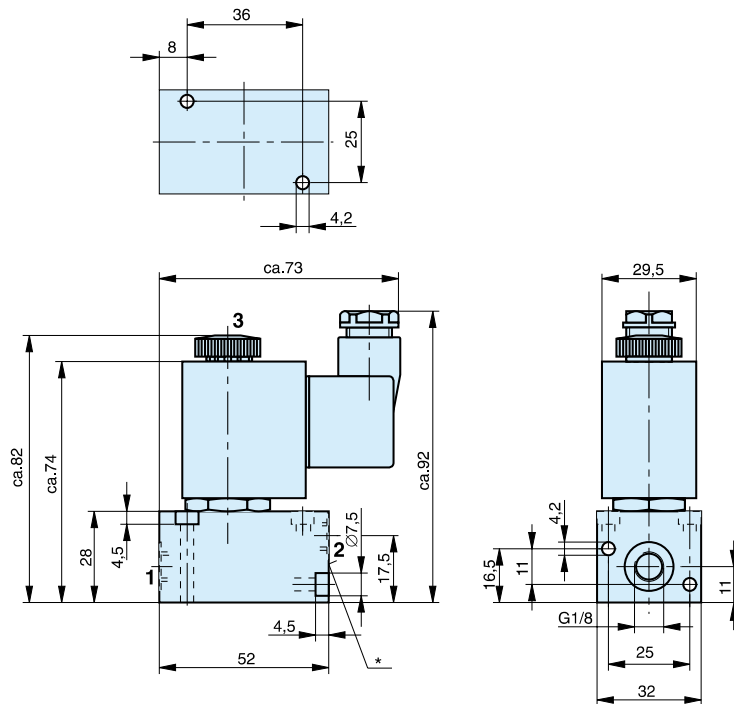
Type: V9 381RF-1/8NG (NO⁽¹⁾)- NW 1.3
 Type: V9 381H-RF-1/8NG (NO⁽¹⁾)- NW 1.3

⁽¹⁾ not suitable for P-supply manifold mounting



* Low wattage version is 30 mm wide:
 – therefore to mount these on a P-Supply Manifold, special measures are needed.
 ** Manual override

Type: V9 381RF-1/8NG – NW 2.5
 Type: V9 381H-RF-1/8NG – NW 2.5

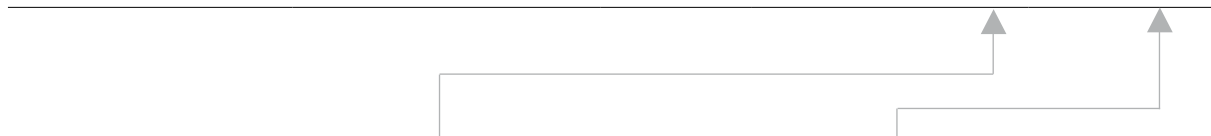


* Manual override

Dimensions in mm

Order Instructions – 3/2 Way Valves – Series V9

Actuation System	Symbol	Nominal Size (mm)	Order Instructions Type	Order code
Electrical, by permanent signal		NW 1.3	V9 381RF-1/8-NC-..	PA 10362-..33
		NW 2.5	V9 381RF-1/8-NC-..	PA 10369-..33
		NW 1.3	V9 381H-RF-1/8-NC-..	PA 10363-..33
		NW 2.5	V9 381H-RF-1/8-NC-..	PA 10370-..33
		NW 1.3	V9 381H-RF-1/8-NO-..	PA 10367-..33



Solenoid version	Nominal voltage	Applicable for	Key code
Standard version	230V 50/60Hz	110 V =	61
	24V =	48V 50/60Hz	02
Low wattage version	24V =		13
	230V 50/60Hz		69

Other voltages on request

Order Instructions – Accessories for P-Supply Manifold Mounting

Description	for NW	Order No.
P-Manifold PL-1/8-..	1.3	PD32763-....*
P-Manifold PLK-1/8-..	1.3	PD37174-....*
P-Manifold PL-1/4-..	2.5	PD32765-....*
P-Manifold PLK-1/4-..	2.5	PD32175-....*

* Complete order no. with no. of valve

The delivery includes:

P-Manifold complete incl. mounting kit



Air Preparation & Airline Accessories



Parker Global Air Preparation System

Global.
Economical.
Modular.



*Performance you need,
wherever you need it.*

The comprehensive Global Air Preparation System is available in three body sizes with either BSPP or NPT to accommodate thread type requirements.

Full featured filters, regulators, filter/regulators, and lubricators are available with a wide range of standard options to meet air preparation needs.

Individual units can easily be assembled into various combinations, utilizing patented modular lightweight body connectors.

www.parker.com/globalfrl



Validated for transport applications



RAILWAY INDUSTRY
ASSOCIATION




CEI/ICE 61373 1999-1 Category 2 (BS EN 61373:1999)

As you would expect from a member of the Rail Industry Association, the Global FRL meets the test specification standards enabling the Global FRL to be used as a validated product in a variety of rail applications.






Application Guide

FRL to Valve: The chart below contains recommendations for the correct selection of Global Air Preparation units to suit the number and size of valves in a typical application.

	P31 Mini Series					P32 Compact Series						P33 Standard Series				
	  															
	Number of valves that would actuate at once															
	1	2	3	4	5	6	7	8	9	10	11	12	13	14	15	16
Moduflex 1	Yellow	Yellow	Yellow	Yellow	Yellow	Green	Green	Green	Green	Green	Green	Green	Green	Green	Green	Green
Isys Micro	Yellow	Yellow	Yellow	Yellow	Yellow	Green	Green	Green	Green	Green	Green	Green	Green	Green	Green	Green
HB / Viking Xtreme	Yellow	Yellow	Yellow	Yellow	Yellow	Green	Green	Green	Green	Green	Green	Green	Green	Green	Green	Green
Moduflex 2	Yellow	Yellow	Yellow	Yellow	Yellow	Yellow	Yellow	Yellow	Yellow	Yellow	Yellow	Yellow	Yellow	Yellow	Yellow	Yellow
HA / Global ISO	Yellow	Yellow	Yellow	Yellow	Yellow	Yellow	Yellow	Yellow	Yellow	Yellow	Yellow	Yellow	Yellow	Yellow	Yellow	Yellow
See Larger Parker FRL Offering																

Actuator to FRL: The chart below contains recommendations for the correct selection of Global Air Preparation units suitable for each cylinder size. If you have a tube length over 2 m, choose one tube size larger than the chart. The table is based on a maximum cylinder speed of 0.5m/s

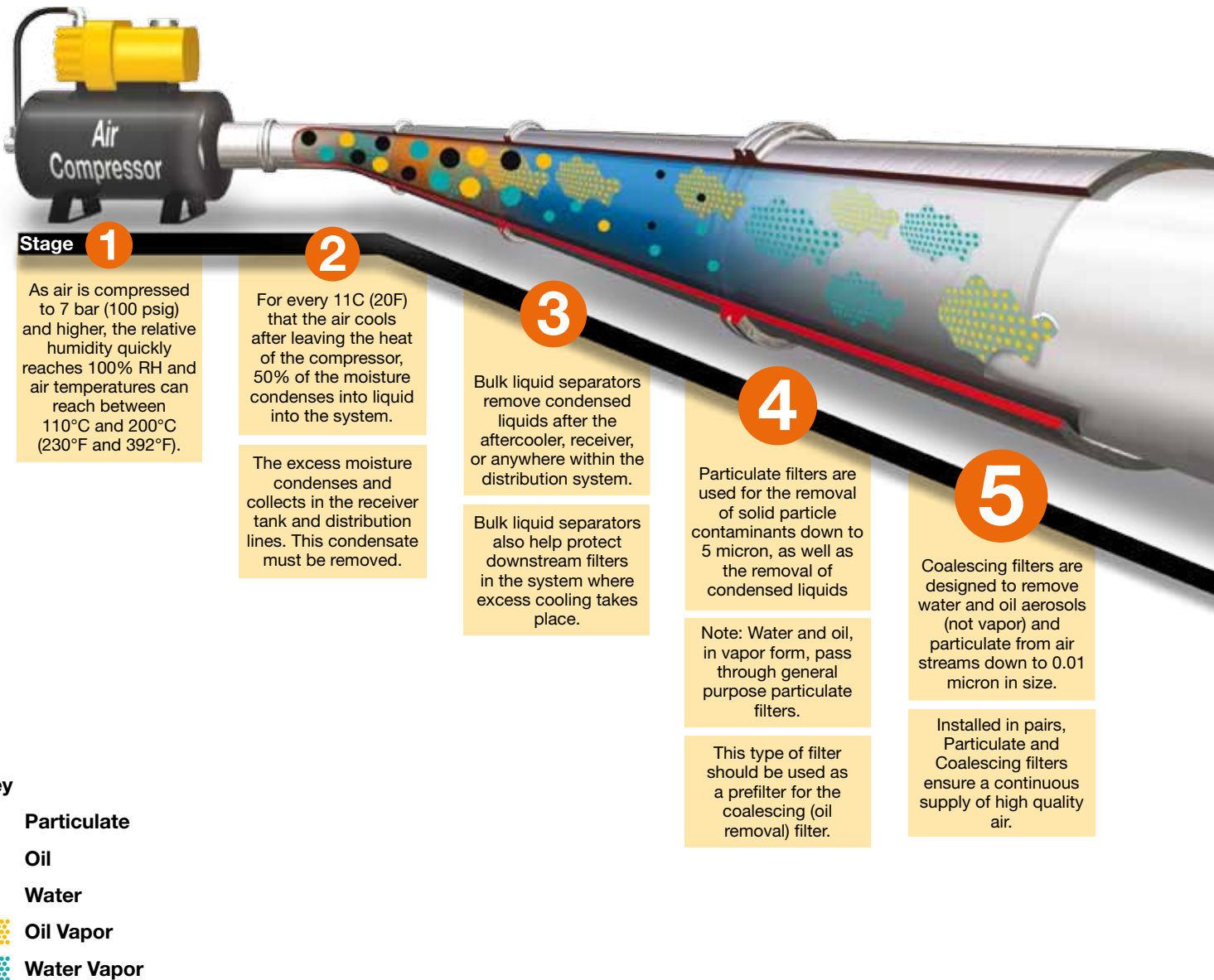
Cyl Ø mm Cyl Ø inches		Cylinder bore size														
		5 (5/16)	10 (7/16)	16 (9/16)	20 (3/4)	25 (1)	28 (1-1/8)	32 (1-1/4)	40 (1-1/2)	45 (1-3/4)	50 (2)	63 (2-1/2)	75 (3)	80 (3-1/4)	100 (4)	
Tube Ø mm Tube Ø inches		Tube diameter external														
		4 (5/32)	4 (5/32)	4 (5/32)	6 (1/4)	6 (1/4)	6 (1/4)	6 (1/4)	8 (5/16)	8 (5/16)	8 (5/16)	10 (3/8)	10 (3/8)	12 (1/2)	12 (1/2)	
Number of cylinders actuating at once	1	Yellow	Yellow	Yellow	Yellow	Yellow	Yellow	Yellow	Yellow	Yellow	Yellow	Yellow	Yellow	Yellow	Yellow	Yellow
	2	Yellow	Yellow	Yellow	Yellow	Yellow	Yellow	Yellow	Yellow	Yellow	Yellow	Yellow	Yellow	Yellow	Yellow	Yellow
	3	Yellow	Yellow	Yellow	Yellow	Yellow	Yellow	Yellow	Yellow	Yellow	Yellow	Yellow	Yellow	Yellow	Yellow	Yellow
	4	Yellow	Yellow	Yellow	Yellow	Yellow	Yellow	Yellow	Yellow	Yellow	Yellow	Yellow	Yellow	Yellow	Yellow	Yellow
	5	Yellow	Yellow	Yellow	Yellow	Yellow	Yellow	Yellow	Yellow	Yellow	Yellow	Yellow	Yellow	Yellow	Yellow	Yellow
	6	Yellow	Yellow	Yellow	Yellow	Yellow	Yellow	Yellow	Yellow	Yellow	Yellow	Yellow	Yellow	Yellow	Yellow	Yellow
	7	Yellow	Yellow	Yellow	Yellow	Yellow	Yellow	Yellow	Yellow	Yellow	Yellow	Yellow	Yellow	Yellow	Yellow	Yellow
	8	Yellow	Yellow	Yellow	Yellow	Yellow	Yellow	Yellow	Yellow	Yellow	Yellow	Yellow	Yellow	Yellow	Yellow	Yellow
	9	Yellow	Yellow	Yellow	Yellow	Yellow	Yellow	Yellow	Yellow	Yellow	Yellow	Yellow	Yellow	Yellow	Yellow	Yellow
	10	Yellow	Yellow	Yellow	Yellow	Yellow	Yellow	Yellow	Yellow	Yellow	Yellow	Yellow	Yellow	Yellow	Yellow	Yellow
		P31 Mini Series					P32 Compact Series					P33 Standard Series				See Larger Parker FRL Offering
																







Note: Data listed above is simply a guideline for a typical application only. Proper sizing and correct flow requirements must be taken into account.

Together we can power your application with clean, dry air

Fast cycle times, high product quality, and low downtime all require a clean, dry pneumatic system to function properly. Parker has what it takes to make sure pneumatic systems perform at their best.

Clean, dry pneumatic systems with Parker Global Air Preparation



						
Stages	1 2	3	4	5	6	7
Function	Air Compressor	Bulk Liquid Removal	Particulate Filtration	Coalescing Filtration	Air Dryers	Hydrocarbon Removal
Application	All pneumatic systems	Basic pneumatic systems	Basic pneumatic systems	Systems requiring highest quality air.	Systems requiring air with reduced moisture content	Systems requiring highest quality air for critical applications
Description	Air leaving the compressor room at 93°C (200°F) releases 95% of its moisture into the piping system when it cools to 38°C (100°F)	Removes bulk liquid contamination and protects filters where excess cooling takes place in the distribution piping	Removes solid particulates down to 5 micron, and the separation of bulk contaminants.	Removes liquid aerosols and submicron particulates (not vapor) down to 0.01 micron.	Removes water vapor from air stream. Dew point reduced down to -40°C membrane and -70°C desiccant.	Removal of odors and trace vapors for critical applications.
Parker Global Air Preparation Solution	Customer supplied	P3TF Bulk Liquid Separator	P31, P32, P33 Particulate Filter	P31, P32, P33 Coalescing Filter	P3XJ Membrane Dryer P3TJ Regenerative Desiccant Dryer	P31, P32, P33 Activated Carbon (Adsorber) Filter



6

Refrigeration, membrane and desiccant dryers lower the air's dew point by removing water vapor, providing appropriately dry air for the downstream application.

7

Hydrocarbon and oil vapors are removed using filters utilizing activated carbon. These airborne hydrocarbons are often left over from the compressor oils.



DECLARATION



We **Parker Hannifin Manufacturing Ltd**
Pneumatic Division
The Collins Centre
Lichfield South
Lichfield
WS14 0QP
UK

Product	Series	Category
Filter*	P31FA, P32FA, P33FA	for zone 1, 21
Regulator	P31RA, P32RA, P33RA	for zone 1, 21
Filter regulator*	P31EA, P32EA, P33EA	for zone 1, 21
Lubricator*	P31LA, P32LA, P33LA	for zone 1, 21
Ball Valve & Slide Valve	P31VA, P32VA, P33VA	for zone 1, 21
Manifold	P31MA, P32MA, P33MA	for zone 1, 21

For non-fitted solenoid product

Soft Start & Dump Valve	P31TA, P32TA	for zone 1, 21
Soft Start Valve	P31SA, P32SA	for zone 1, 21
Dump Valve	P31DA, P32DA	for zone 1, 21

*Filter, Filter Regulator and Lubricator – This evaluation applies to products fitted with metal bowls only.

Following Ignition Hazard Assessments performed on the non-electrical products listed above, in accordance with the requirements of EN 13463-1:2009, it was considered that the equipment does not contain its own source of ignition, and therefore is not within the scope of directive 94/9/EC.

The products can be used in a Group II Category 2 environment assuming that the ATEX Directive and the following conditions are complied with:

- Installation and maintenance of the product must be undertaken by qualified personnel.
- Do not mount the products in an area where impact may occur.
- Filters must be used to limit the introduction of particles and to capture particles generated in service.
- Supply air quality must be within ISO 8573-1:2010 Class 1.4.2.
- Maximum working temperature to be as stated on product label.
- WARNING – pulsating pressure and/or a closed circuit can generate heat.
- Deposits of dust on the product must not exceed 5mm thickness.
Refer to technical file for surface areas of plastics.
The unit must be earthed via the compressed air supply line.
- The unit must not come into contact with liquid solvents, acids or alkalis.
Refer to technical file for chemicals known to be incompatible.
Product cleaning must be undertaken using a method complying with the specification of the ATEX zone, preferably by using mild soap and water or antistatic products.
- **Regulators, Filter Regulators:**
Do not use Regulators or Filter Regulators within systems that can create vibration within the Regulator/Filter Regulator unit.
- **Solenoid Operated Valves:**
Are suitable for use in an ATEX environment, (Group II Category 2) providing ATEX approved solenoids are fitted.
- Technical file available on request.

Approved by:

A. MacGuire
Engineering Manager – Air Preparation EMEA

Validated for transport applications



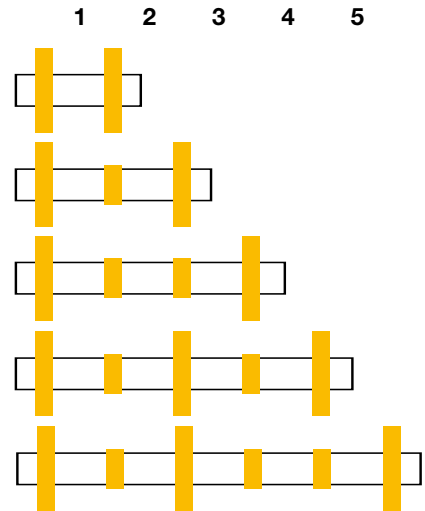
As you would expect from a member of the Rail Industry Association, Global air preparation meets the test specification standards enabling the Global series to be used as a validated product in a variety of rail applications.



Railway Industry Association

CEI/ICE 61373 1999-1 Category 2 (BS EN 61373:1999)

Position of T-Brackets for multiple units



Recommended mounting / fixation method for use in transportation applications.

- The use of a port block kit and T-bracket should be used at all times (angle / L-brackets should not be used in rail applications)
- Additional security is recommended with the use of 'vibration proof adhesive' on the wall mounting screws to the port / connector block
- Inlet (P1) and Outlet (P2) ports should always have a T-Bracket fixation to eliminate product cantilever stress
- 'L' brackets should not be used in the use for rail service



For illustration purposes only

- High flow modular air-preparation series
- Space saving integral gauge (P31 size only)
- Manifold style regulators available
- OSHA compliant shut-off valves



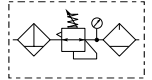
Operating information	Flow characteristics							
	40mm body width 1/4" Ported				60mm body width 1/4", 3/8", & 1/2" Ported		73mm body width 1/2" & 3/4" Ported	
Working pressure :								
Plastic bowl:	10 bar max							
Metal bowl:	17 bar max							
Working temperature :								
* Plastic bowl:	-10°C to +52°C							
* Metal bowl:	-10°C to +65.5°C							
* Refer to Technical Catalogue for individual unit temperatures								
	Flow	dm³/s	Flow	dm³/s	Flow	dm³/s	Flow	dm³/s
	Filter	12	Filter	38	Filter	48	Filter	48
	Coalescing Filter	2	Coalescing Filter	11	Coalescing Filter	20	Coalescing Filter	20
	Regulator	30	Regulator	67	Regulator	100	Regulator	100
	Filter Regulator	14	Filter Regulator	64	Filter Regulator	98	Filter Regulator	98
	Lubricator	13	Lubricator	47	Lubricator	68	Lubricator	68

Popular Combinations - P31 Series

	Filter + Regulator + Lubricator Combinations + Poly bowl 5 micron element, 8 bar Regulator + Gauge and Wall Mounting Brackets Inlet pressure 10 bar, Secondary pressure 6.3 bar, 1 bar pressure drop.						
	Port size	Flow dm ³ /s	Flow (scfm)	Manual Drain	Weight	Pulse Drain	
	1/4"	13	27	P31CB12GEMNTLNW	0.46 kg	P31CB12GEBNTLNW	0.46 kg
	Filter/Regulator + Lubricator Combinations + Poly bowl 5 micron element, 8 bar Regulator + Gauge and Wall Mounting Brackets Inlet pressure 10 bar, Secondary pressure 6.3 bar, 1 bar pressure drop.						
	Port size	Flow dm ³ /s	Flow (scfm)	Manual Drain	Weight	Pulse Drain	
	1/4"	14	28	P31CA12GEMNTLNW	0.35 kg	P31CA12GEBNTLNW	0.35 kg
	Slide Valve + Filter/Regulator + Lubricator Combinations + Poly bowl 5 micron element, 8 bar Regulator + Gauge and Wall Mounting Brackets Inlet pressure 10 bar, Secondary pressure 6.3 bar, 1 bar pressure drop.						
	Port size	Flow dm ³ /s	Flow (scfm)	Manual Drain	Weight	Pulse Drain	
	1/4"	14	28	P31YA12GEMNTLNW	0.54 kg	P31YA12GEBNTLNW	0.54 kg
	Slide Valve + Filter/Regulator Combinations + Poly bowl 5 micron element, 8 bar Regulator + Gauge and Wall Mounting Brackets Inlet pressure 10 bar, Secondary pressure 6.3 bar, 1 bar pressure drop.						
	Port size	Flow dm ³ /s	Flow (scfm)	Manual Drain	Weight	Pulse Drain	
	1/4"	14	28	P31YN12GEMNTW	0.4 kg	P31YN12GEBNTW	0.4 kg

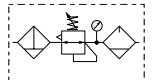
P 3 1		E		N		L N		W
Combination		Thread type		Drain type		Adjustment range		Add only for options with Lubricator
Combination C		BSPP 1		Manual drain M		With square gauge		
Shut off + Combi ¹ Y		NPT 9		Pulse drain B		2 bar * V		
Combination type		Port size				4 bar S		
F/R+L A		1/4 2				8 bar ** T		
F+R+L B								
F/R N								
		Bowl type						
		Poly bowl with bowl guard G						
		Metal bowl without sight glass M						
<p>Note: All bowl types are the same for each component</p> <p>Example: If a "G" is specified for a F+L, both units would get a poly bowl with bowl guard.</p>								
<p>* Unit comes with 0-4 bar, gauge respectively</p> <p>** Unit comes with 0-10 bar, gauge respectively</p> <p>¹ Option not available with F+R+L</p>								

Popular Combinations - P32 Series



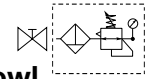
Filter + Regulator + Lubricator Combinations + Poly bowl
5 micron element, 8 bar Regulator + Gauge and Wall Mounting Brackets
Inlet pressure 10 bar, Secondary pressure 6.3 bar, 1 bar pressure drop.

Port size	Flow dm ³ /s (scfm)		Manual Drain	Weight	Auto Drain	Weight
1/4"	20	42	P32CB12GEMNGLNW	1.29 kg	P32CB12GEANGLNW	1.29 kg
3/8"	32	68	P32CB13GEMNGLNW	1.29 kg	P32CB13GEANGLNW	1.29 kg
1/2"	40	85	P32CB14GEMNGLNW	1.29 kg	P32CB14GEANGLNW	1.29 kg



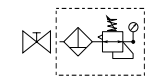
Filter/Regulator + Lubricator Combinations + Poly bowl
5 micron element, 8 bar Regulator + Gauge and Wall Mounting Brackets
Inlet pressure 10 bar, Secondary pressure 6.3 bar, 1 bar pressure drop.

Port size	Flow dm ³ /s (scfm)		Manual Drain	Weight	Auto Drain	Weight
1/4"	22	45	P32CA12GEMNGLNW	1.03 kg	P32CA12GEANGLNW	1.03 kg
3/8"	33	70	P32CA13GEMNGLNW	1.03 kg	P32CA13GEANGLNW	1.03 kg
1/2"	43	90	P32CA14GEMNGLNW	1.03 kg	P32CA14GEANGLNW	1.03 kg



Slide Valve + Filter/Regulator + Lubricator Combinations + Poly bowl
5 micron element, 8 bar Regulator + Gauge and Wall Mounting Brackets
Inlet pressure 10 bar, Secondary pressure 6.3 bar, 1 bar pressure drop.

Port size	Flow dm ³ /s (scfm)		Manual Drain	Weight	Auto Drain	Weight
1/4"	22	45	P32YA12GEMNGLNW	1.5 kg	P32YA12GEANGLNW	1.5 kg
3/8"	33	70	P32YA13GEMNGLNW	1.5 kg	P32YA13GEANGLNW	1.5 kg
1/2"	43	90	P32YA14GEMNGLNW	1.5 kg	P32YA14GEANGLNW	1.5 kg



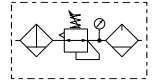
Slide Valve + Filter/Regulator Combinations + Poly bowl
5 micron element, 8 bar Regulator + Gauge and Wall Mounting Brackets
Inlet pressure 10 bar, Secondary pressure 6.3 bar, 1 bar pressure drop.

Port size	Flow dm ³ /s (scfm)		Manual Drain	Weight	Auto Drain	Weight
1/4"	22	45	P32YN12GEMNGW	1.1 kg	P32YN12GEANGW	1.1 kg
3/8"	33	70	P32YN13GEMNGW	1.1 kg	P32YN13GEANGW	1.1 kg
1/2"	43	90	P32YN14GEMNGW	1.1 kg	P32YN14GEANGW	1.1 kg

P 3 2					E		N		L N	W
Combination		Thread type		Port size		Drain type		Adjustment range		Add only for options with Lubricator
Combination C		BSPP 1		1/4 2		Auto drain A		With round gauge		
Shut off + Combination ¹ Y		NPT 9		3/8 3		Manual drain M		0-2 bar; 0-30 psi; 0.2 MPa Z		
				1/2 4				4 bar; 60 psi; 0.4 MPa M		
								8 bar; 125 psi; 0.8 MPa G		
								17 bar; 250 psi; 1.7 MPa [Ⓞ] J		
Combination type		Bowl type		Note: All bowl types are the same for each component						
F/R+L A		Poly bowl with bowl guard G		Example: If a "G" is specified for a F+L, both units would get a poly bowl with bowl guard.						
F+R+L B		Metal bowl with sight glass S		[Ⓞ] Only available with metal bowl option						
F/R N										

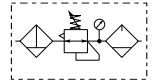
¹ Option not available with F+R+L

Popular Combinations - P33 Series



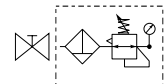
Filter + Regulator + Lubricator Combinations + Poly bowl
5 micron element, 8 bar Regulator + Gauge and Wall Mounting Brackets
Inlet pressure 10 bar, Secondary pressure 6.3 bar, 1 bar pressure drop.

Port size	Flow		Manual Drain	Weight	Auto Drain	Weight
	dm ³ /s	(scfm)				
1/2"	43	90	P33CB14GEMNGLNW	1.84 kg (4.06 lbs)	P33CB14GEANGLNW	1.84 kg (4.06 lbs)
3/4"	52	110	P33CB16GEMNGLNW	1.84 kg (4.06 lbs)	P33CB16GEANGLNW	1.84 kg (4.06 lbs)



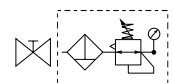
Filter/Regulator + Lubricator Combinations + Poly bowl
5 micron element, 8 bar Regulator + Gauge and Wall Mounting Brackets
Inlet pressure 10 bar, Secondary pressure 6.3 bar, 1 bar pressure drop.

Port size	Flow		Manual Drain	Weight	Auto Drain	Weight
	dm ³ /s	(scfm)				
1/2"	52	110	P33CA14GEMNGLNW	1.51 kg (3.33 lbs)	P33CA14GEANGLNW	1.51 kg (3.33 lbs)
3/4"	71	150	P33CA16GEMNGLNW	1.51 kg (3.33 lbs)	P33CA16GEANGLNW	1.51 kg (3.33 lbs)



Slide Valve + Filter/Regulator + Lubricator Combinations + Poly bowl
5 micron element, 8 bar Regulator + Gauge and Wall Mounting Brackets
Inlet pressure 10 bar, Secondary pressure 6.3 bar, 1 bar pressure drop.

Port size	Flow		Manual Drain	Weight	Auto Drain	Weight
	dm ³ /s	(scfm)				
1/2"	52	110	P33YA14GEMNGLNW	2.35 kg (5.2 lbs)	P33YA14GEANGLNW	2.35 kg (5.2 lbs)
3/4"	71	150	P33YA16GEMNGLNW	2.35 kg (5.2 lbs)	P33YA16GEANGLNW	2.35 kg (5.2 lbs)



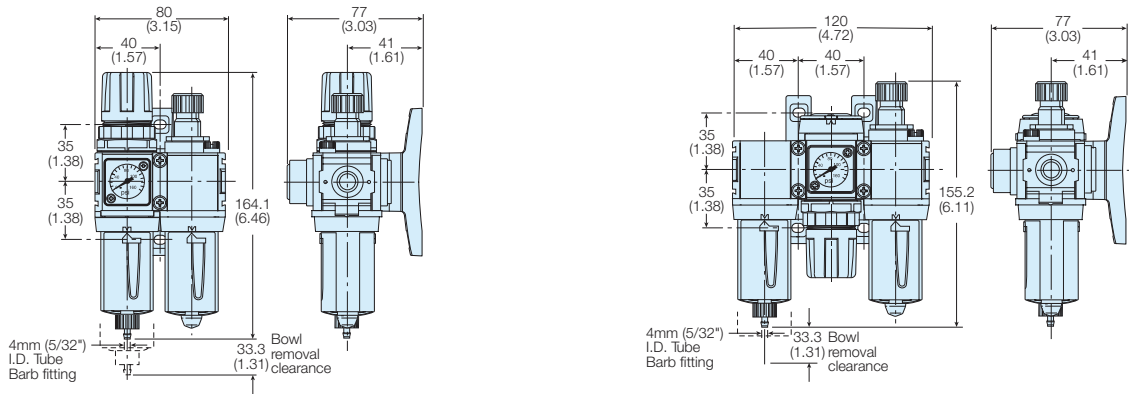
Slide Valve + Filter/Regulator Combinations + Poly bowl
5 micron element, 8 bar Regulator + Gauge and Wall Mounting Brackets
Inlet pressure 10 bar, Secondary pressure 6.3 bar, 1 bar pressure drop.

Port size	Flow		Manual Drain	Weight	Auto Drain	Weight
	dm ³ /s	(scfm)				
1/2"	52	110	P33YN14GEMNGW	1.7 kg (3.75 lbs)	P33YN14GEANGW	1.7 kg (3.75 lbs)
3/4"	71	150	P33YN16GEMNGW	1.7 kg (3.75 lbs)	P33YN16GEANGW	1.7 kg (3.75 lbs)

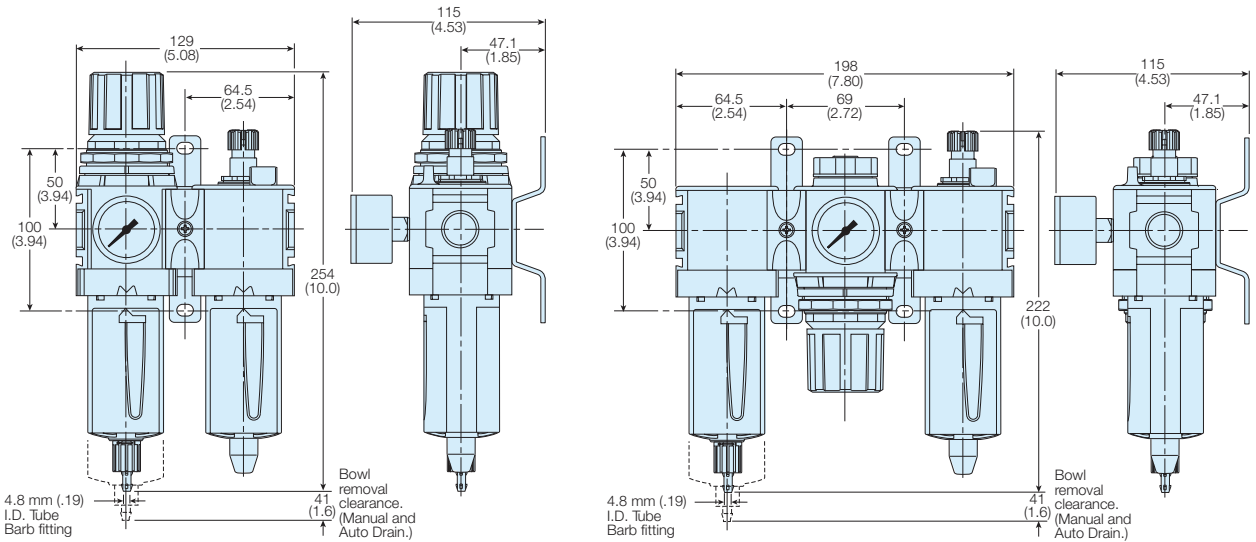
P 3 3					E		N		LN	W
Combination		Thread type		Port size		Drain type		Adjustment range		Add only for options with Lubricator
Combination C		BSPP 1		1/2 4		Auto drain A		With round gauge		
Shut off + Combination ¹ Y		NPT 9		3/4 6		Manual drain M		0-2 bar; 0-30 psi; 0.2 MPa Z		
								4 bar; 60 psi; 0.4 MPa M		
								8 bar; 125 psi; 0.8 MPa G		
								17 bar; 250 psi; 1.7 MPa [⊗] J		
¹ Option not available with F+R+L										
Combination type		Bowl type								
F/R+L A		Poly bowl with bowl guard G								
F+R+L B		Metal bowl with sight glass S								
F/R N										
						Note: All bowl types are the same for each component				
						Example: If a "G" is specified for a F+L, both units would get a poly bowl with bowl guard.				
						⊗ Only available with metal bowl option				

Popular Combination Dimensions - mm (inches)

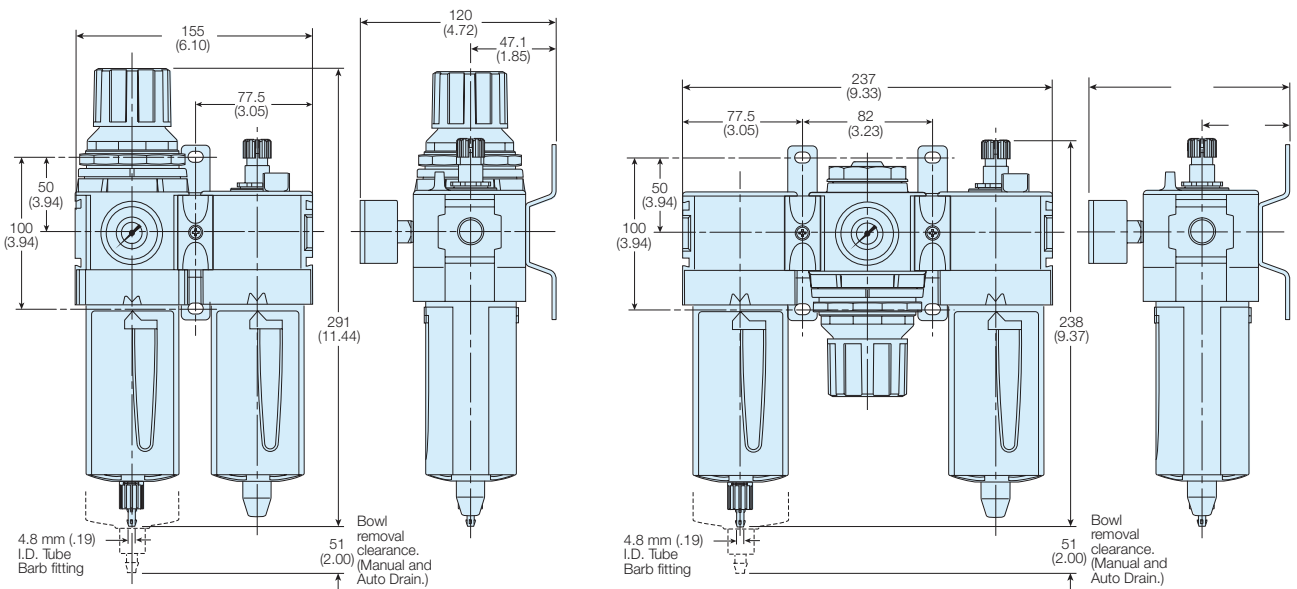
P31



P32



P33





Filters - 5 µm

Port	Description	Order code
1/4"	Poly bowl - Manual drain	P31FA12EGMN
1/4"	Poly bowl - Pulse drain	P31FA12EGBN
1/4"	Metal bowl - Manual drain	P31FA12EMMN
1/4"	Metal bowl - Pulse drain	P31FA12EMBN
1/4"	Poly bowl - Manual drain	P32FA12EGMN
1/4"	Poly bowl - Auto drain	P32FA12EGAN
1/4"	Metal bowl sight glass - Manual drain	P32FA12ESMN
1/4"	Metal bowl sight glass - Auto drain	P32FA12ESAN
3/8"	Poly bowl - Manual drain	P32FA13EGMN
3/8"	Poly bowl - Auto drain	P32FA13EGAN
3/8"	Metal bowl sight glass - Manual drain	P32FA13ESMN
3/8"	Metal bowl sight glass - Auto drain	P32FA13ESAN
1/2"	Poly bowl - Manual drain	P32FA14EGMN
1/2"	Poly bowl - Auto drain	P32FA14EGAN
1/2"	Metal bowl sight glass - Manual drain	P32FA14ESMN
1/2"	Metal bowl sight glass - Auto drain	P32FA14ESAN
1/2"	Poly bowl - Manual drain	P33FA14EGMN
1/2"	Poly bowl - Auto drain	P33FA14EGAN
1/2"	Metal bowl sight glass - Manual drain	P33FA14ESMN
1/2"	Metal bowl sight glass - Auto drain	P33FA14ESAN
3/4"	Poly bowl - Manual drain	P33FA16EGMN
3/4"	Poly bowl - Auto drain	P33FA16EGAN
3/4"	Metal bowl sight glass - Manual drain	P33FA16ESMN
3/4"	Metal bowl sight glass - Auto drain	P33FA16ESAN



Regulators

Port	Description	Order code
1/4"	8 bar relieving	P31RA12BNNP
1/4"	8 bar relieving + gauge	P31RA12BNTP
1/4"	8 bar (125 psi) Relieving	P32RA12BNNP
1/4"	8 bar (125 psi) Relieving + Gauge	P32RA12BNGP
3/8"	8 bar (125 psi) Relieving	P32RA13BNNP
3/8"	8 bar (125 psi) Relieving + Gauge	P32RA13BNGP
1/2"	8 bar (125 psi) Relieving	P32RA14BNNP
1/2"	8 bar (125 psi) Relieving + Gauge	P32RA14BNGP
1/2"	8 bar (125 psi) Relieving	P33RA14BNNP
1/2"	8 bar (125 psi) Relieving + Gauge	P33RA14BNGP
3/4"	8 bar (125 psi) Relieving	P33RA16BNNP
3/4"	8 bar (125 psi) Relieving + Gauge	P33RA16BNGP



Coalescing Filters + Absorbers - 0,01 µm

Port	Description	Order code
1/4"	Poly bowl - 0.01 µm - Manual drain	P31FA12CGMN
1/4"	Poly bowl - 0.01 µm - Pulse drain	P31FA12CGBN
1/4"	Metal bowl - 0.01 µm - Manual drain	P31FA12CMMN
1/4"	Metal bowl - 0.01 µm - Pulse drain	P31FA12CMBN
1/4"	Poly bowl - Adsorber	P31FA12AGMN
1/4"	Metal bowl - Adsorber	P31FA12AMMN
1/4"	Poly bowl - 0.01 µm, Manual drain	P32FA12DGMN
1/4"	Poly bowl - 0.01 µm, Auto drain	P32FA12DGAN
1/4"	Metal bowl sight glass - 0.01 µm, Man. drain	P32FA12DSMN
1/4"	Metal bowl sight glass - 0.01 µm, Auto drain	P32FA12DSAN
3/8"	Poly bowl - 0.01 µm, Manual drain	P32FA13DGMN
3/8"	Poly bowl - 0.01 µm, Auto drain	P32FA13DGAN
3/8"	Metal bowl sight glass - 0.01 µm, Man. drain	P32FA13DSMN
3/8"	Metal bowl sight glass - 0.01 µm, Auto drain	P32FA13DSAN
1/2"	Poly bowl - 0.01 µm, Manual drain	P32FA14DGMN
1/2"	Poly bowl - 0.01 µm, Auto drain	P32FA14DGAN
1/2"	Metal bowl sight glass - 0.01 µm, Man. drain	P32FA14DSMN
1/2"	Metal bowl sight glass - 0.01 µm, Auto drain	P32FA14DSAN
1/4"	Poly bowl - Adsorber	P32FA12AGMN
1/4"	Metal bowl sight glass - Adsorber	P32FA12ASMN
3/8"	Poly bowl - Adsorber	P32FA13AGMN
3/8"	Metal bowl sight glass - Adsorber	P32FA13ASMN
1/2"	Poly bowl - Adsorber	P32FA14AGMN
1/2"	Metal bowl sight glass - Adsorber	P32FA14ASMN
1/2"	Poly bowl - 0.01 µm, Manual drain	P33FA14DGMN
1/2"	Poly bowl - 0.01 µm, Auto drain	P33FA14DGAN
1/2"	Metal bowl sight glass - 0.01 µm, Man. drain	P33FA14DSMN
1/2"	Metal bowl sight glass - 0.01 µm, Auto drain	P33FA14DSAN
3/4"	Poly bowl - 0.01 µm, Manual drain	P33FA16DGMN
3/4"	Poly bowl - 0.01 µm, Auto drain	P33FA16DGAN
3/4"	Metal bowl sight glass - 0.01 µm, Man. drain	P33FA16DSMN
3/4"	Metal bowl sight glass - 0.01 µm, Auto drain	P33FA16DSAN
1/2"	Poly bowl - Adsorber	P33FA14AGMN
1/2"	Metal bowl sight glass - Adsorber	P33FA14ASMN
3/4"	Poly bowl - Adsorber	P33FA16AGMN
3/4"	Metal bowl sight glass - Adsorber	P33FA16ASMN



Filter Regulators - (P31) pressures 2 & 4 bar (P32/P33) pressures 2,4 & 17 bar available.

Port	Description	Order code
1/4"	8 bar (125 psi) Relieving - Poly bowl - Manual drain	P31EA12EGMBNTP
1/4"	8 bar (125 psi) Relieving - Poly bowl - Pulse drain	P31EA12EGBBNTPT
1/4"	8 bar (125 psi) Relieving - Metal bowl - Manual drain	P31EA12EMMBNTP
1/4"	8 bar (125 psi) Relieving - Metal bowl - Pulse drain	P31EA12EMBBNTP
1/4"	8 bar (125 psi) Relieving - Poly bowl - Manual drain	P32EA12EGMBNGP
1/4"	8 bar (125 psi) Relieving - Poly bowl - Auto drain	P32EA12EGABNGP
1/4"	8 bar (125 psi) Relieving - Metal bowl sight glass - Manual drain	P32EA12ESMBNGP
1/4"	8 bar (125 psi) Relieving - Metal bowl sight glass - Auto drain	P32EA12ESABNGP
3/8"	8 bar (125 psi) Relieving - Poly bowl - Manual drain	P32EA13EGMBNGP
3/8"	8 bar (125 psi) Relieving - Poly bowl - Auto drain	P32EA13EGABNGP
3/8"	8 bar (125 psi) Relieving - Metal bowl sight glass - Manual drain	P32EA13ESMBNGP
3/8"	8 bar (125 psi) Relieving - Metal bowl sight glass - Auto drain	P32EA13ESABNGP
1/2"	8 bar (125 psi) Relieving - Poly bowl - Manual drain	P32EA14EGMBNGP
1/2"	8 bar (125 psi) Relieving - Poly bowl - Auto drain	P32EA14EGABNGP
1/2"	8 bar (125 psi) Relieving - Metal bowl sight glass - Manual drain	P32EA14ESMBNGP
1/2"	8 bar (125 psi) Relieving - Metal bowl sight glass - Auto drain	P32EA14ESABNGP
1/2"	8 bar (125 psi) Relieving - Poly bowl - Manual drain	P33EA14EGMBNGP
1/2"	8 bar (125 psi) Relieving - Poly bowl - Auto drain	P33EA14EGABNGP
1/2"	8 bar (125 psi) Relieving - Metal bowl sight glass - Manual drain	P33EA14ESMBNGP
1/2"	8 bar (125 psi) Relieving - Metal bowl sight glass - Auto drain	P33EA14ESABNGP
3/4"	8 bar (125 psi) Relieving - Poly bowl - Manual drain	P33EA16EGMBNGP
3/4"	8 bar (125 psi) Relieving - Poly bowl - Auto drain	P33EA16EGABNGP
3/4"	8 bar (125 psi) Relieving - Metal bowl sight glass - Manual drain	P33EA16ESMBNGP
3/4"	8 bar (125 psi) Relieving - Metal bowl sight glass - Auto drain	P33EA16ESABNGP



Lubricators

Port	Description	Order code
1/4"	Poly bowl - No drain	P31LA12LGNN
1/4"	Metal bowl - No drain	P31LA12LMNN
1/4"	Poly bowl - No drain	P32LA12LGNN
1/4"	Metal bowl - No drain	P32LA12LSNN
3/8"	Poly bowl - No drain	P32LA13LGNN
3/8"	Metal bowl - No drain	P32LA13LSNN
1/2"	Poly bowl - No drain	P32LA14LGNN
1/2"	Metal bowl - No drain	P32LA14LSNN
1/2"	Poly bowl - No drain	P33LA14LGNN
1/2"	Metal bowl - No drain	P33LA14LSNN
3/4"	Poly bowl - No drain	P33LA16LGNN
3/4"	Metal bowl - No drain	P33LA16LSNN

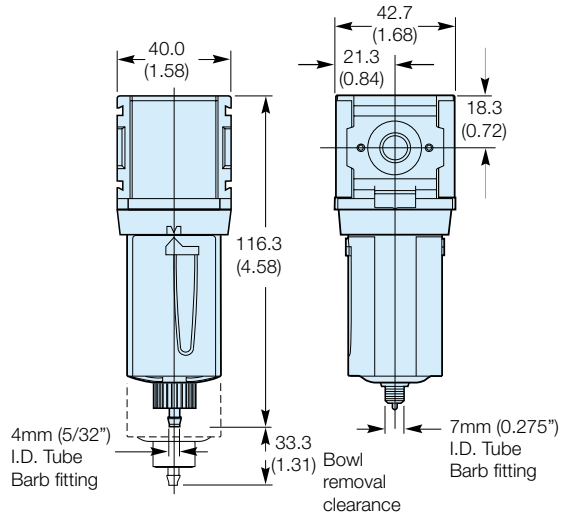


Gauges

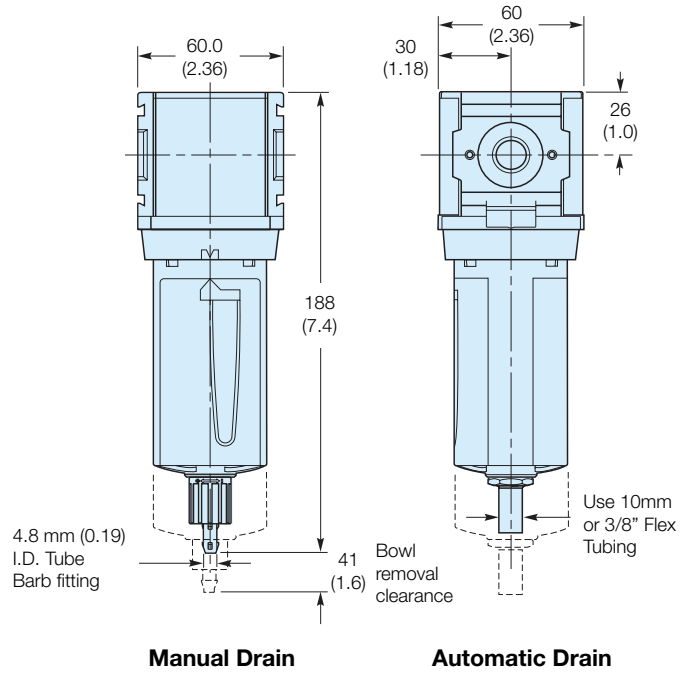
Port	Description	Order code
P31	Square Flush Mounting Gauge Kit	0-4 bar K4511SCR04B 0-10 bar K4511SCR11B
P31	40mm Round Gauge	0-30 psi / 0-2 bar 1/8" P3D-KAB1AYN 0-60 psi / 0-4.1 bar 1/8" P3D-KAB1ALN 0-160 psi / 0-10 bar 1/8" P3D-KAB1ANN
P32 / P33	50mm Round Gauge	0-60 psi / 0-4.1 bar 1/4" P6G-ERB2040 0-160 psi / 0-10 bar 1/4" P6G-ERB2110 0-300 psi / 0-20 bar 1/4" P6G-ERB2200

Filter Dimensions - mm (inches)

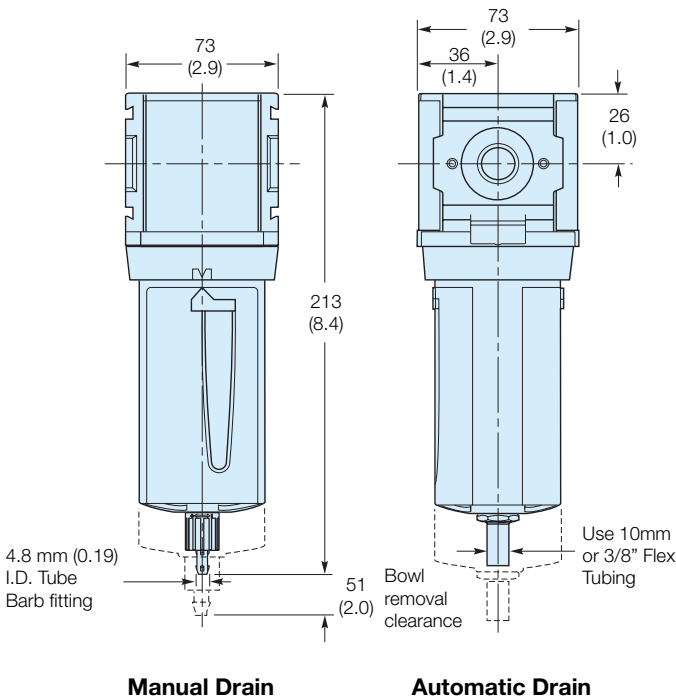
P31



P32

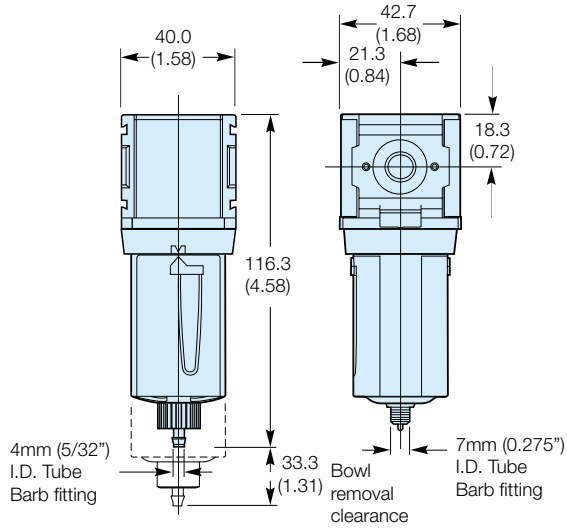


P33

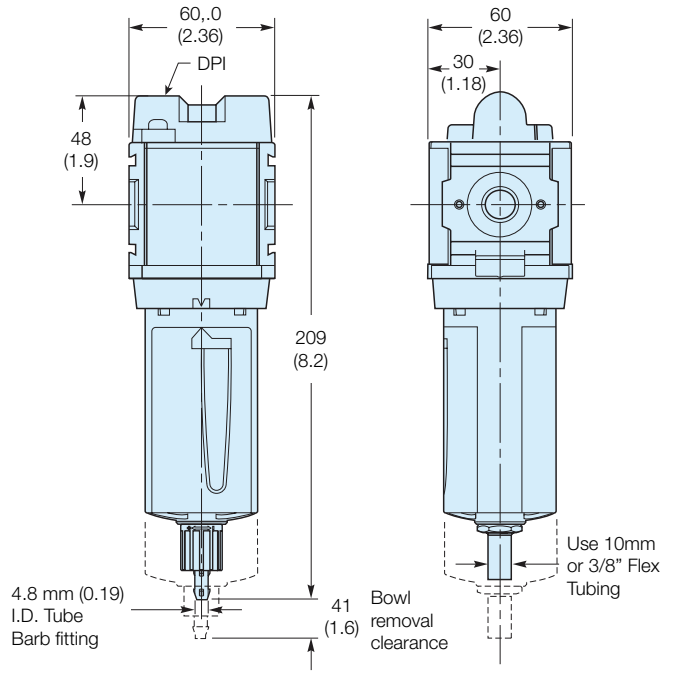


Coalescing / Adsorber Filter Dimensions - mm (inches)

P31



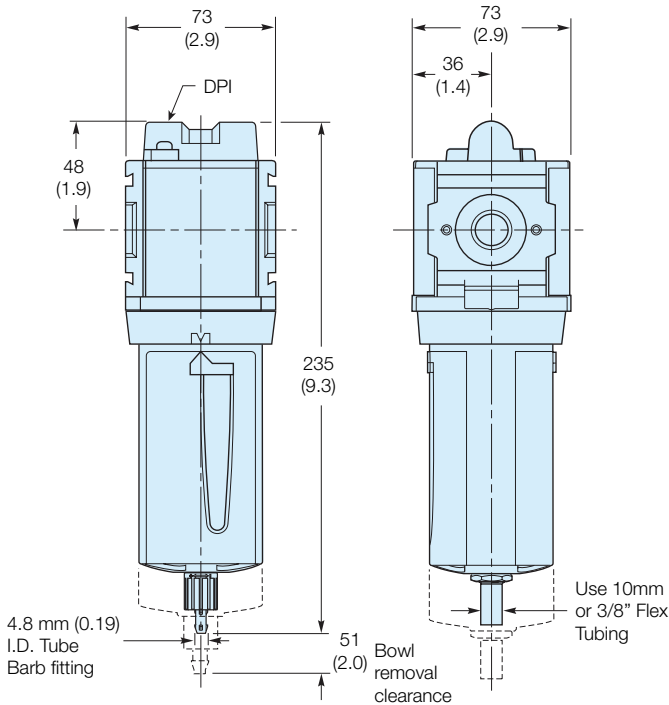
P32



Manual Drain

Automatic Drain

P33

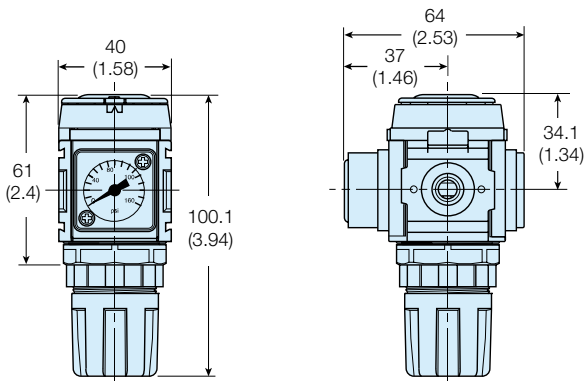


Manual Drain

Automatic Drain

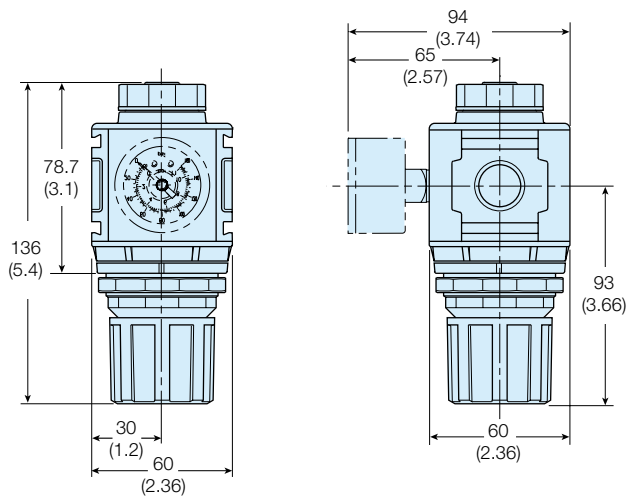
Regulator Dimensions - mm (inches)

P31



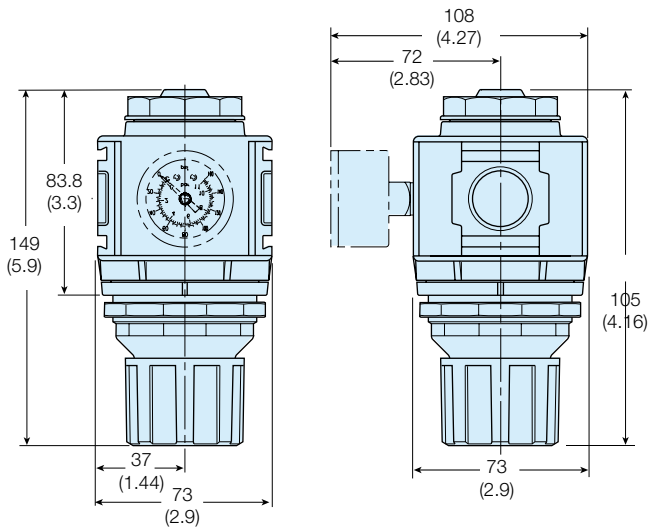
NOTE: Ø 30 mm hole required for panel nut mounting.

P32



NOTE: Ø 47 mm hole required for panel nut mounting.

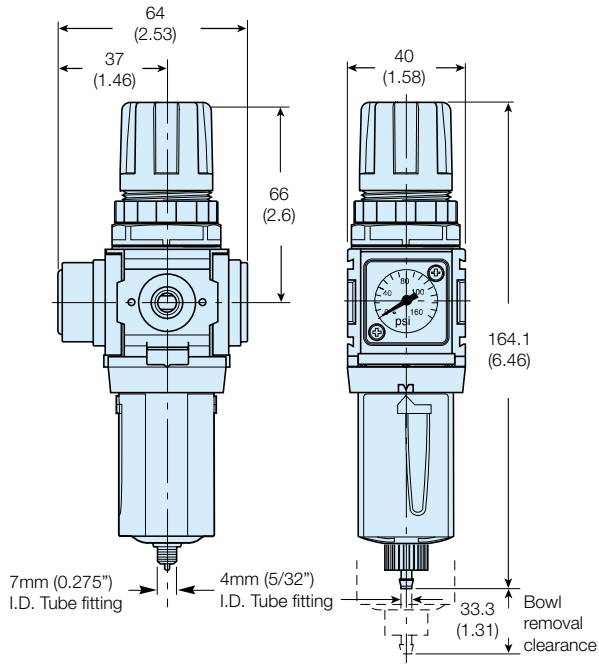
P33



NOTE: Ø 60 mm hole required for panel nut mounting.

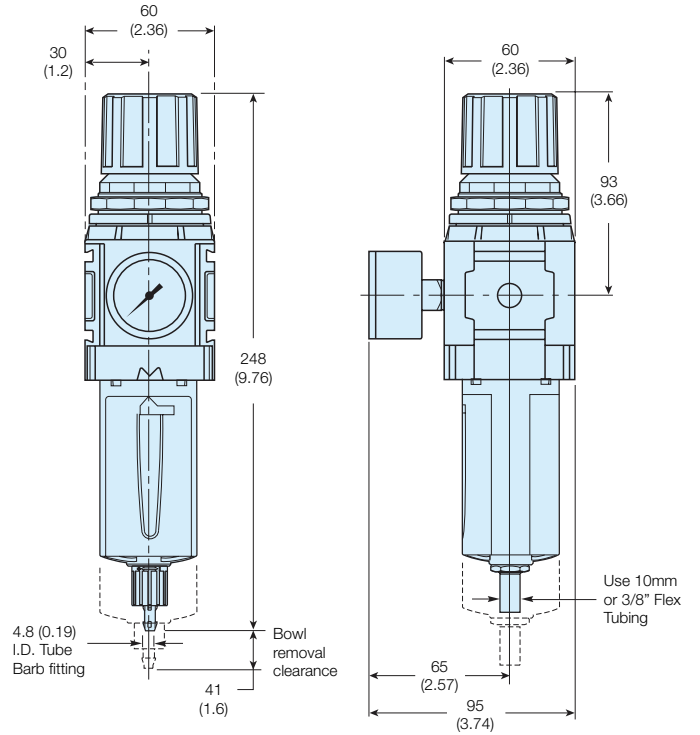
Filter Regulator Dimensions - mm (inches)

P31



Note:
 Flush-mounted gauge kits will not fit units originally purchased with threaded gauge ports.

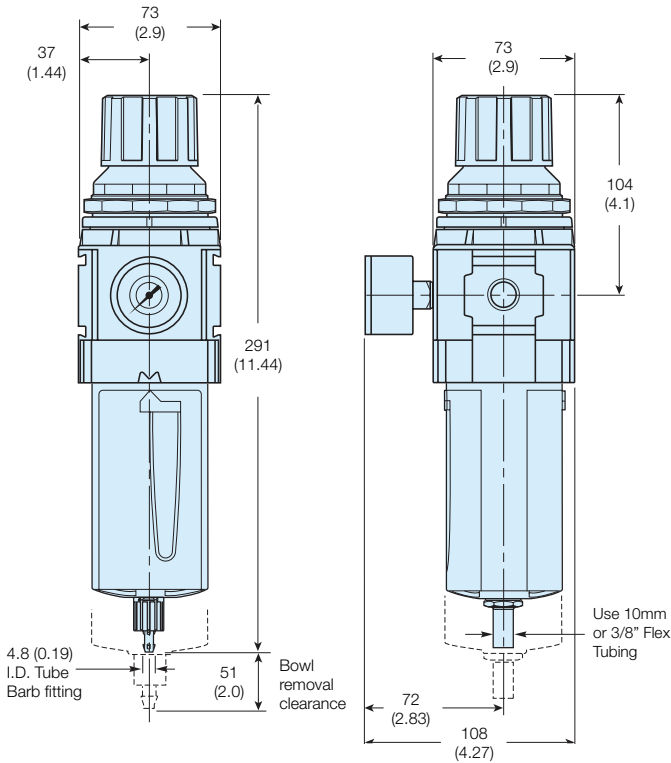
P32



Manual Drain

Automatic Drain

P33

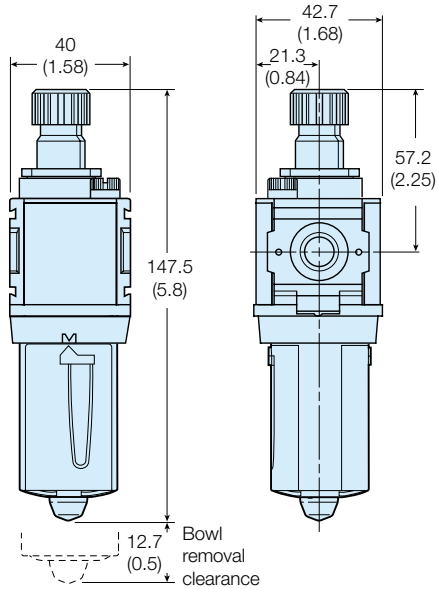


Manual Drain

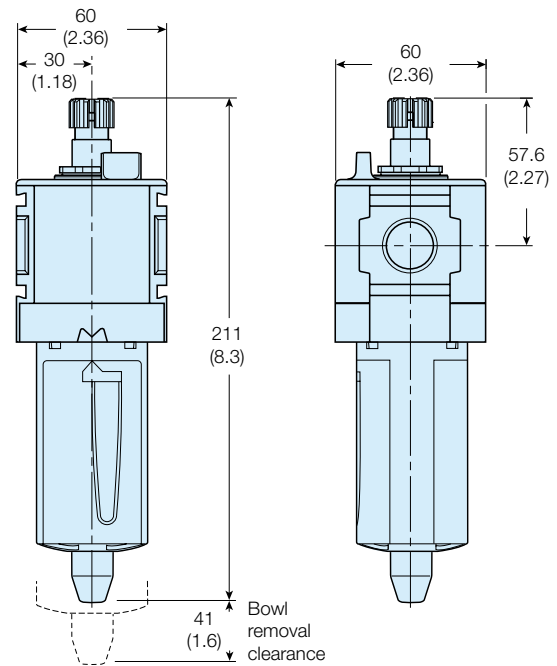
Automatic Drain

Lubricator Dimensions - mm (inches)

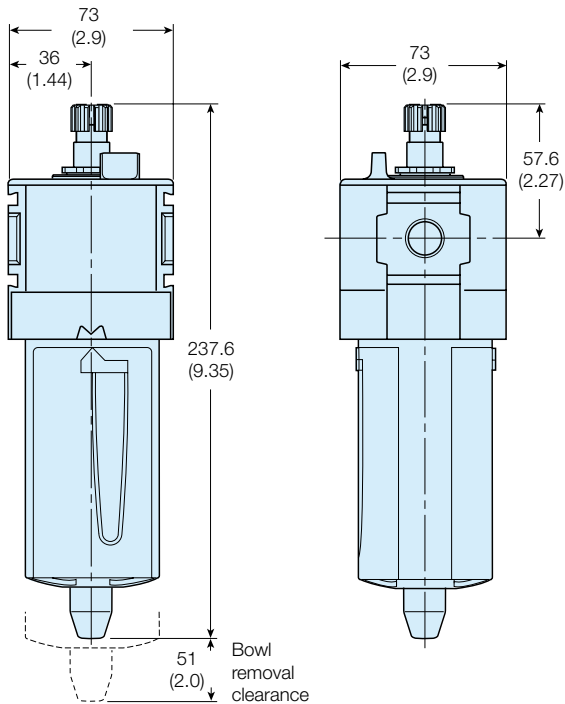
P31



P32

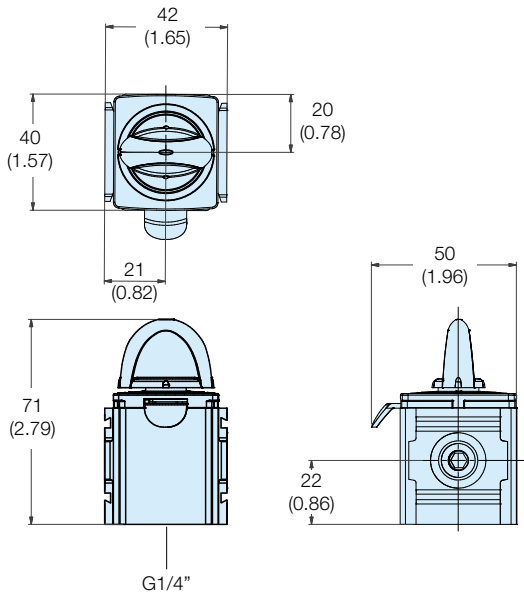


P33

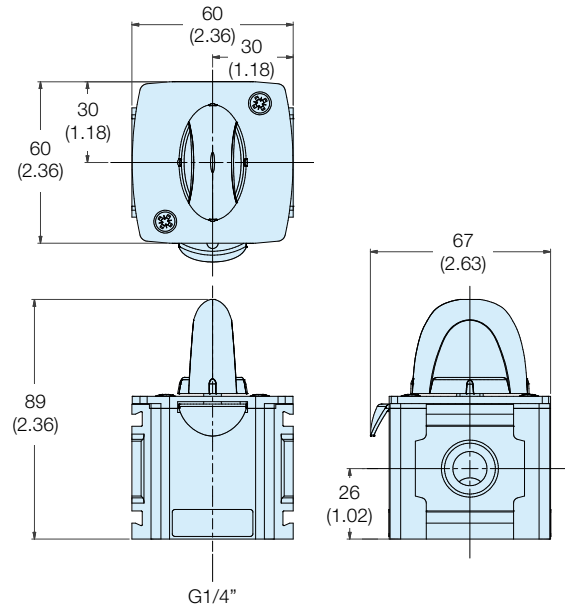


Modular Ball Valve Dimensions - mm (inches)

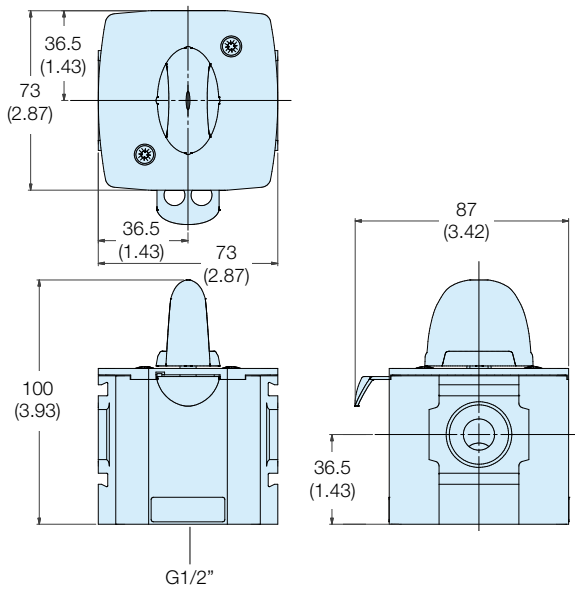
P31



P32

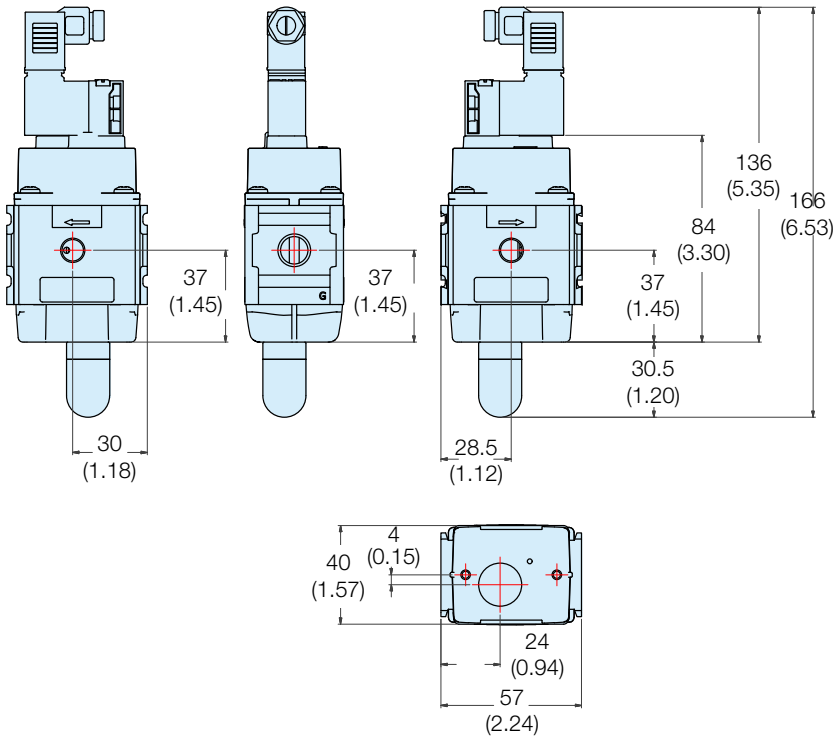


P33

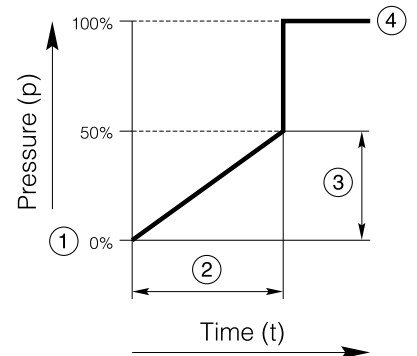
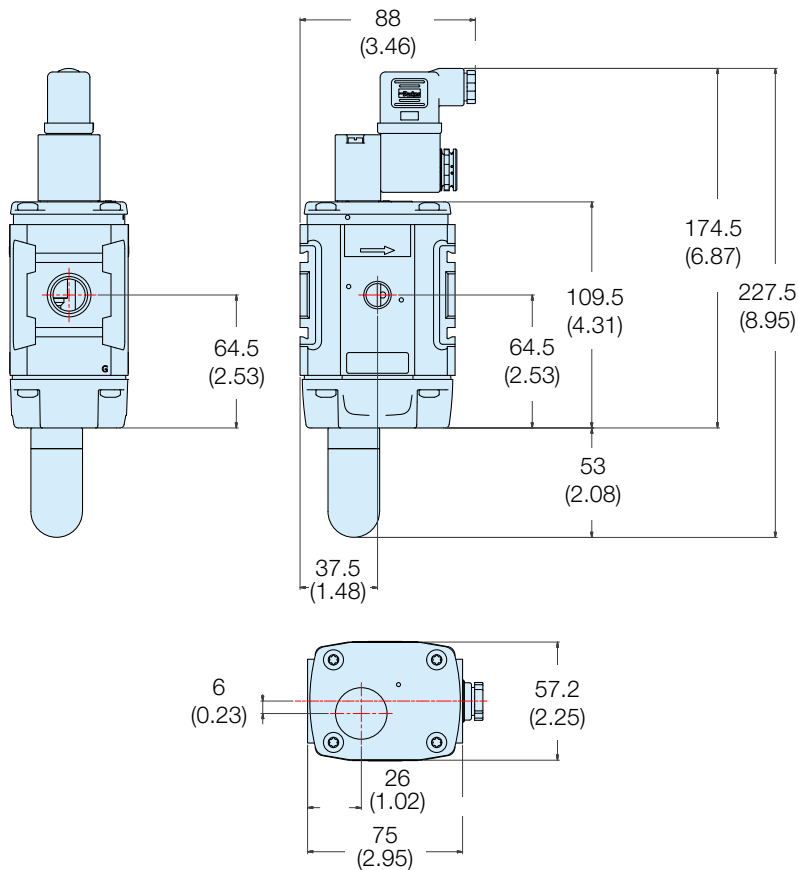


**Combined Soft Start Dump Valve and Remote Operated Dump Valve
Dimensions - mm (inches)**

P31



P32



- ① Start signal
- ② Switching time delay
- ③ Gradual pressure build up
- ④ Operating pressure p² (=p¹)

Combined Soft Start Dump Valve and Remote Operated Dump Valve

Port	Description	Order code
1/4	Solenoid operated (not included)	P31TA12SGN0000
1/4	24VDC Solenoid & cable plug	P31TA12SGNC2CN
1/4	Air pilot operated	P31TA12PPN
1/2	Solenoid operated (not included)	P32TA14SCN0000
1/2	24VDC 30mm coil & cable plug incl.	P32TA14SCNA2CN
1/2	Air pilot operated	P32TA14PPN
1/2	Solenoid operated (not included) Category 2 - Machine Directive Valve Contact - Sales Office for further details.	P32TA14SC20000

Soft Start Valve

Port	Description	Order code
1/4	Solenoid operated (not included)	P31SA12SGN0000
1/4	24VDC Solenoid & cable plug	P31SA12SGNC2CN
1/4	External air pilot (1/8 threaded)	P31SA12PPN
1/2	Solenoid operated (not included)	P32SA14SCN0000
1/2	24VDC 30mm coil & cable plug	P32SA14SCNA2CN
1/2	Internal air pilot operated	P32SA14Y0N
1/2	External air pilot (1/8 threaded)	P32SA14PPN

Remote Operated Dump Valve

Port	Description	Order code
1/4	Solenoid operated (not included)	P31DA12SGN0000
1/4	24VDC Solenoid & cable plug	P31DA12SGNC2CN
1/4	Air pilot operated	P31DA12PPN
1/2	Solenoid operated (not included)	P32DA14SCN0000
1/2	24VDC 30mm coil & cable plug incl.	P32DA14SCNA2CN
1/2	Air pilot operated	P32DA14PPN
1/2	Solenoid operated (not included) Category 2 - Machine Directive Valve Contact - Sales Office for further details.	P32DA14SC20000

C-Bracket

(Fits to filter and lubricator body)

P31
P31KA00MW

L-Bracket

(Fits to filter and lubricator body)

P32	P33
P32KA00ML	P33KA00ML

Body Connector 'O' ring kit -

Pack of 5

P31	P32
P31KA00CY	P32KA00CY

T-Bracket

(Fits to body connector or port block)

P32	P33
P32KA00MB	P32KA00MB

Angle Bracket

(Fits to regulator and filter/regulator)

P31	P32	P33
P31KA00MR	P32KA00MR	P32KA00MR

Body Connector

P31	P32	P33
P31KA00CB	P32KA00CB	P32KA00CB

Modular Ball Valve / Lockout Valve

Model type	Port size	Thread type	Flow dm ³ /s (scfm)	Modular Ball Valve Flow from left to right
P31	1/4"	BSPP	20 (42.4)	P31VB12LBNN
P32	3/8"	BSPP	90 (190.7)	P32VB13LBNN
	1/2"	BSPP	122 (258.5)	P32VB14LBNN
P33	1/2"	BSPP	122 (258.5)	P33VB14LBNN
	3/4"	BSPP	122 (258.5)	P33VB16LBNN

For thread type: BSPP 1
NPT 9

Manifold Blocks

Model Type	In / Out Port Size	Auxiliary Port Size Top	Auxiliary Port Size Bottom	Thread Type	Order Code
P31	1/4"	1/4"	1/4"	BSPP	P31MA12022N
P32	1/2"	1/4"	1/2"	BSPP	P32MA14024N
P33	3/4"	1/4"	1/2"	BSPP	P33MA16024N

For thread type: BSPP 1
NPT 9

Branch Manifold

P32	1/2"	1/4"	1/4"	BSPP	P32MD14022N
P32	1/4"	1/4"	1/4"	BSPP	P32MD12022N
Seal kit for square gauge mtg on P32MD					P32KA00RX

Accessories Kits

Series	Description	Order Code	
P31 P32 P33	Panel Mount Nut (Plastic)	P31KA00MP P32KA00MP P33KA00MP	
P31 P32 P33	Panel Mount Nut (Aluminium)	P31KA00MM P32KA00MM P33KA00MM	
P31 P32 P33	5µ Element Kit	P31KA00ESE P32KA00ESE P33KA00ESE	
P31 P32 P33	40µ Element Kit	P31KA00ESG P32KA00ESG P33KA00ESG	
P31 P32 P33	1µ Element Kit	P31KA00ES9 P32KA00ES9 P33KA00ES9	
P31 P32 P33	0.01µ Element Kit	P31KA00ESC P32KA00ESC P33KA00ESC	
P31 P32 P33	Adsorber Element Kit	P31KA00ESA P32KA00ESA P33KA00ESA	
P32 / P33	Auto Drain Kit	P32KA00DA	
P32 / P33	Differential Pressure Indicator Kit	P32KA00RQ	
P31 P32 / P33	Fill Plug Kit	P31KA00PL P32KA00PL	
P31 / P32 / P33	Drip Control Assembly Kit	P32KA00PG	

Accessories Kits

Series	Description	Order Code	
P31 P32 P33	Plastic Bowl with Bowl Guard & Manual Drain	P31KA00BGM P32KA00BGM P33KA00BGM	
P31	Plastic Bowl with Bowl Guard & Pulse Drain	P31KA00BGB	
P32 P33	Plastic Bowl with Bowl Guard & Auto Drain	P32KA00BGA P33KA00BGA	
P31	Metal Bowl without Sight Gauge & Pulse Drain	P31KA00BMB	
P32 P33	Metal Bowl with Sight Gauge & Manual Drain	P32KA00BSM P33KA00BSM	
P32 P33	Metal Bowl with Sight Gauge & Auto Drain	P32KA00BSA P33KA00BSA	
P31 P32 P33	Lubricator - Plastic Bowl with Bowl Guard & Close End	P31KA00BGN P32KA00BGN P33KA00BGN	
P31 P32 P33	Lubricator - Metal Bowl Without Sight Gauge, No Drain Lubricator - Metal Bowl With Sight Gauge, No Drain Lubricator - Metal Bowl With Sight Gauge, No Drain	P31KA00BMN P32KA00BSN P33KA00BSN	

- Compact body ported units.
- Port size G¹/₄
- Unique deflector plate ensuring maximum water and particulate removal.
- Solid control piston with lip seal for extended life.
- Proportional oil delivery over a wide range of air flows.
- Tamperproof options available.



Operating information		Flow characteristics	
Working pressure:	Max 10 bar	Flow dm³/s	1/4
Working temperature:	-10 °C to +52 °C	Filter	30.5
		Coalescing Filter	5.9
		Adsorber Filter	5.9
		Regulator	12.9
		Regulator - Brass	9.8
		Filter Regulator	9.2
		Lubricator	23.3

Filters

Port size	Description	Order Code
G1/4	Poly bowl - Manual drain - 5µ	P3LFA12EPPN
G1/4	Poly bowl - Pulse drain - 5µ	P3LFA12EPSN
G1/4	Poly bowl - Manual drain - 40µ	P3LFA12GPPN
G1/4	Poly bowl - Pulse drain - 40µ	P3LFA12GPSN
	Individual mounting bracket - P3LFA / P3LLA	P3LKA00MW

Regulators - 2 & 4 bar - relieving type & non relieving type

Port size	Description	Order Code
G1/4	8 bar relieving	P3LRA12BNNP
G1/4	8 bar relieving + gauge	P3LRA12BNGP
G1/4	8 bar relieving + Tamperproof	P3LRA12BANP
G1/4	8 bar relieving + gauge - Tamperproof	P3LRA12BAGP

Regulators (Brass) - 2, 4 & 16 bar-relieving type & non relieving type

Port size	Description	Order Code
G1/4	8 bar relieving	P3LRX12BNNP
G1/4	8 bar relieving + gauge	P3LRX12BNGP
G1/4	16 bar relieving	P3LRX12BNHP
G1/4	8 bar relieving + Tamperproof	P3LRX12BANP
G1/4	8 bar relieving + gauge - Tamperproof	P3LRX12BAGP
G1/4	16 bar relieving + Tamperproof	P3LRX12BAHP

Pressure Gauges

40mm (1 1/2") Round 1/8" center back mount		
		Order Code
0-30 PSIG / 0-2 bar	(2)	KZ8810-00
0-58 PSIG / 0-4 bar	(4)	KZ8811-00
0-160 PSIG / 0-10 bar	(10)	KZ8813-00

Coalescing Filters - 0.01µ element

Port size	Description	Order Code
G1/4	Poly bowl - Manual drain - 0.01µ	P3LFA12CPPN
	Individual mounting bracket - P3LFA / P3LLA	P3LKA00MW

Adsorber Filters

Port size	Description	Order Code
G1/4	Poly bowl - Adsorber	P3LFA12APPN

Filter/Regulators - 2 & 4 bar pressure, 40µ available

Port size	Description	Order Code
G1/4	8 bar relieving - Poly bowl Manual drain - 5µ	P3LEA12EPPBNNP
G1/4	8 bar relieving - Poly bowl Semi auto-drain - 5µ	P3LEA12EPSBNNP
G1/4	8 bar relieving - Poly bowl Manual drain + Gauge - 5µ	P3LEA12EPPBNGP
G1/4	8 bar relieving - Poly bowl Semi auto-drain + Gauge - 5µ	P3LEA12EPSBNGP

Lubricators

Port size	Description	Order Code
G1/4	Poly bowl - No drain	P3LLA12LPNN
	Lubricator OIL VG32-1 Litre	P3YKA00PPBB

Filter/Regulator + Lubricator Combination

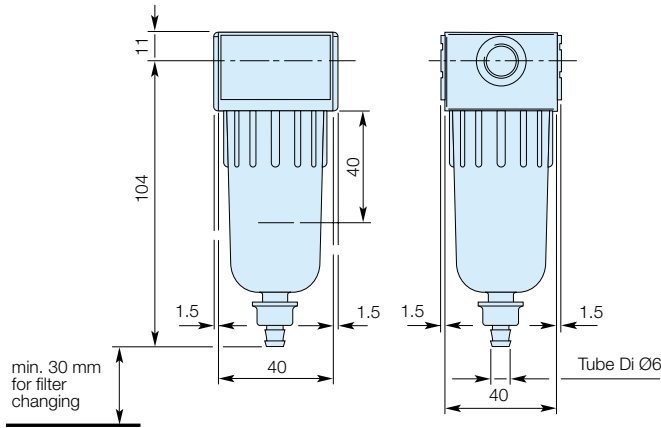
Available in boxed quantities of 25

Port size	Description	Order Code
G1/4	Manual push drain	P3LCA12PEPNGLNWQ25
G1/4	Semi auto drain	P3LCA12PESNGLNWQ25

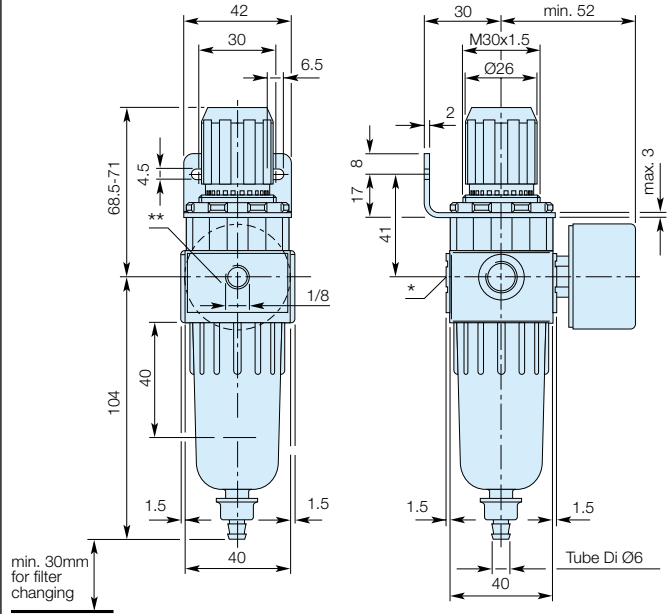


Dimensions (mm)

Filters

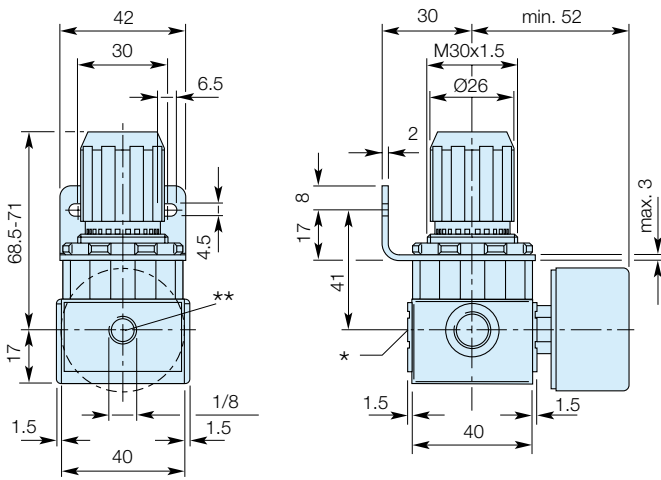


Filter/Regulators



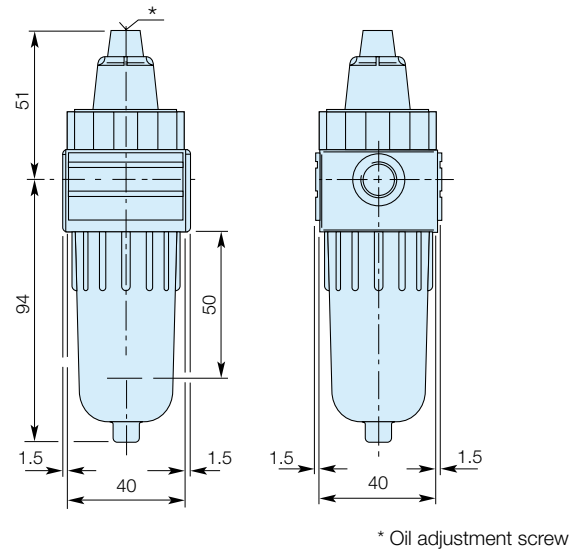
* On delivery the screw plug is not assembled
 ** Two opposite gauge ports 1/8"

Regulators



* On delivery the screw plug is not assembled
 ** Two opposite gauge ports 1/8"

Lubricators



* Oil adjustment screw

Service kits

Description	Order code
Plastic bowl / manual push drain	P3LKA00BPP
Plastic bowl / semi-auto drain	P3LKA00BPS
Plastic bowl - no drain	P3LKA00BPN
5µ particle filter element	P3LKA00ESE
40µ Element Kit	P3LKA00ESG
0.01µ coalescing filter element	P3LKA00ESC
Activated carbon adsorber filter element	P3LKA00ESA

Accessories

Description	Order code
Connector kit (E/R + L/F)	P3LKA00CB1
Connector kit (E/R + M + L)	P3LKA00CB2
Connector kit (E/R + F + F)	P3LKA00CB3
Connector kit (F + L/F)	P3LKA00CB4
Manifold block	P3LMA12020C
Mounting bracket (F/L)	P3LKA00MW
Panel mount nut - Aluminium	P3LKA00MM
Panel mount nut - Plastic	P3LKA00MP
Angle Bracket (uses panel mount threads)	P3LKA00MR



Nano Mist

Simple. Convincing in the Details

There are innovations that bring selective improvements.

And then there are real innovations.

*Innovations that set **new** standards.*

*Like the **new Parker Moduflex Lite** series.*



New Nano Mist Technology, New Lubricator Concept. Self-Adjusting.

With conventional lubricators, only the oil volume per time unit can be adjusted. If the demand changes, the quantity dispensed still remains constant.

The Moduflex Lite lubricator concept sets new benchmarks here. For the first time, the oil volume is automatically adjusted to the flow rate.

This ensures that there is neither too little nor too much oil in the system, which leads to clear economic and ecological advantages. In addition, with conventional systems, the distance between the lubricator and the equipment has to be less than 8 meters. With larger distances, the dispensed oil is deposited as a wall flow.

The new lubricator principle of the Moduflex Lite allows for distances of up to 40 meters. This opens up new scope for the design of even more efficient production systems.

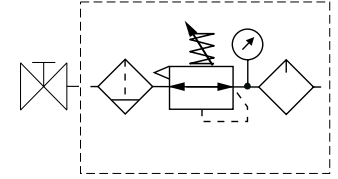


Popular Combinations



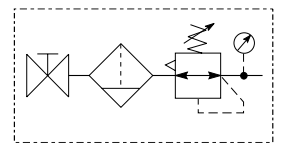
Slide Valve + Filter/Regulator + Lubricator Combinations (50mg/m³)
5 micron element, 8 bar Regulator + Gauge and Wall Mounting Brackets

Port size	Combined Manual/Semi-Auto Drain	Flow dm ³ /s	Weight (g)	Auto Drain	Flow dm ³ /s	Weight (g)
G ¹ / ₂	P3XAA14GECNGPNW	76	1300	P3XAA14GEANGPNW	76	1300
G ³ / ₄	P3XAA16GECNGPNW	77	1300	P3XAA16GEANGPNW	77	1300



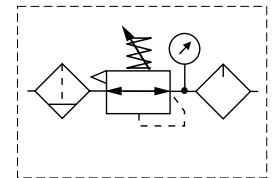
Slide Valve + Filter/Regulator Combinations
5 micron element, 8 bar Regulator + Gauge and Wall Mounting Brackets

Port size	Combined Manual/Semi-Auto Drain	Flow dm ³ /s	Weight (g)	Auto Drain	Flow dm ³ /s	Weight (g)
G ¹ / ₂	P3XAN14GECNGW	105	950	P3XAN14GEANGW	105	950
G ³ / ₄	P3XAN16GECNGW	106	950	P3XAN16GEANGW	106	950



Filter/Regulator + Lubricator Combinations (50mg/m³)
5 micron element, 8 bar Regulator + Gauge and Wall Mounting Brackets

Port size	Combined Manual/Semi-Auto Drain	Flow dm ³ /s	Weight (g)	Auto Drain	Flow dm ³ /s	Weight (g)
G ¹ / ₂	P3XCA14GECNGPNW	76	1000	P3XCA14GEANGPNW	76	1000
G ³ / ₄	P3XCA16GECNGPNW	77	1000	P3XCA16GEANGPNW	77	1000



Options:

P 3 X				G E				W
Filter/Reg + Lubricator	CA	BSPP (G) 1	Combined Manual/Semi Auto Drain	C	0 - 8 bar with gauge	G	0 - 16 bar with gauge	J
Slide valve + Filter/Reg	AN	NPT * 9			Auto Drain	A		
Slide valve + Filter/Reg + Lubricator	AA							
* NPT ports on request 1/2" size only		1/2 4	Non rise - Standard	N	(50mg/m ³) PN	Add only for options with lubricator		
		3/4 6	Tamperproof - Lockable	A	(5mg/m ³) SN			

- Integral 1/2 or 3/4 ports
- High efficiency 5 micron element as standard
- Excellent water removal efficiency
- Secondary pressure ranges 4, 8 and 16 bar
- Rolling diaphragm for extended life
- Secondary aspiration plus balanced poppet provides quick response and accurate pressure regulation.
- Low temperature -40°C with Regulators/Filters and Filter Regulators using combined manual/semi auto drain as standard without pressure gauge.



Operating information

Working pressure:	Max 16 bar
Working temperature:	-40 °C to +60 °C

Flow characteristics

Flow dm ³ /s	1/2	3/4
Filter	55	57
Coalescing Filter	24	24
Adsorber Filter	18	18
Regulator	122	134
Filter Regulator	111	113
Lubricator	78	78

Filters - 5 micron element

Port size	Description	Order Code
G1/2	Manual drain/Semi auto	P3XFA14EGCN
G1/2	Auto drain	P3XFA14EGAN
G3/4	Manual drain / Semi auto	P3XFA16EGCN
G3/4	Auto drain	P3XFA16EGAN
	Mounting bracket	P3XKA00MW

Coalescing Filters - 0.01 micron element

Port size	Description	Order Code
G1/2	Coalescing 0.01µm, manual/semi auto drain	P3XFA14DGCN
G1/2	Coalescing Filter 0.01µm, auto drain	P3XFA14DGAN
G3/4	Coalescing 0.01µm, manual/semi auto drain	P3XFA16DGCN
G3/4	Coalescing Filter 0.01µm, auto drain	P3XFA16DGAN

Regulators - 4 & 8 bar - non relieving options available

Port size	Description	Order Code
G1/2	8 bar relieving	P3XRA14BNNN
G1/2	8 bar relieving + gauge	P3XRA14BNGN
G3/4	8 bar relieving	P3XRA16BNNN
G3/4	8 bar relieving + gauge	P3XRA16BNGN
G1/2	8 bar relieving, tamperproof	P3XRA14BANN
G1/2	8 bar relieving, tamperproof + gauge	P3XRA14BAGN
G3/4	8 bar relieving, tamperproof	P3XRA16BANN
G3/4	8 bar relieving, tamperproof + gauge	P3XRA16BAGN
G1/2	Air-pilot regulator	P3XRA14BPPN
G3/4	Air-pilot regulator	P3XRA16BPPN

Adsorber Filters

Port size	Description	Order Code
G1/2	Adsorber, manual/semi auto drain	P3XFA14AGCN
G3/4	Adsorber, manual/semi auto drain	P3XFA16AGCN

Filter/Regulators

4 and 16 bar, non relieving options available

Port size	Description	Order Code
G1/2	8 bar, relieving manual/semi auto drain	P3XEA14EGCBNNN
G1/2	8 bar, relieving auto drain	P3XEA14EGABNNN
G1/2	8 bar, relieving manual/semi auto + gauge	P3XEA14EGCBNGN
G1/2	8 bar, relieving auto drain + gauge	P3XEA14EGABNGN
G3/4	8 bar, relieving manual/semi auto drain	P3XEA16EGCBNNN
G3/4	8 bar, relieving auto drain	P3XEA16EGABNNN
G3/4	8 bar, relieving manual/semi auto + gauge	P3XEA16EGCBNGN
G3/4	8 bar, relieving auto drain + gauge	P3XEA16EGABNGN

Lubricators

Port size	Description	Order Code
G1/2	Oil mist, fill under pressure (50mg/m ³)	P3XLA14PGNN
G3/4	Oil mist, fill under pressure (50mg/m ³)	P3XLA16PGNN
G1/2	Oil mist, fill under pressure (5mg/m ³)	P3XLA14SGNN
G3/4	Oil mist, fill under pressure (5mg/m ³)	P3XLA16SGNN
	Lubricator OIL VG15:ISO3448 - 100ml	P3XKA00PPA
	Lubricator OIL VG32-1 Litre	P3YKA00PPBB

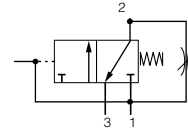
Pressure Gauges

	Order Code
0 - 10 bar	KG8012-00
0 - 16 bar	KG8013-00

Dump Valve & Combined Soft Start Dump Valve



Symbols



- Modular design with 1/2" & 3/4" integral ports (BSPP or NPT)
- Provides for the safe introduction of pressure
- Automatically dumps downstream pressure on the loss of pilot signal
- Adjustable slow start
- Solenoid or air pilot options
- High flow & exhaust capability

P3X Series Combined Soft Start/Dump Valves, provide for the safe introduction of pressure to machines or systems. Soft Start/Dump Valves when set, allow the pressure to gradually build to the set point before fully opening to deliver full flow at line pressure.

The controlled introduction of pressure can be an important safety factor and prevent damage to tooling when air pressure is introduced at machine or system start up.

Options:

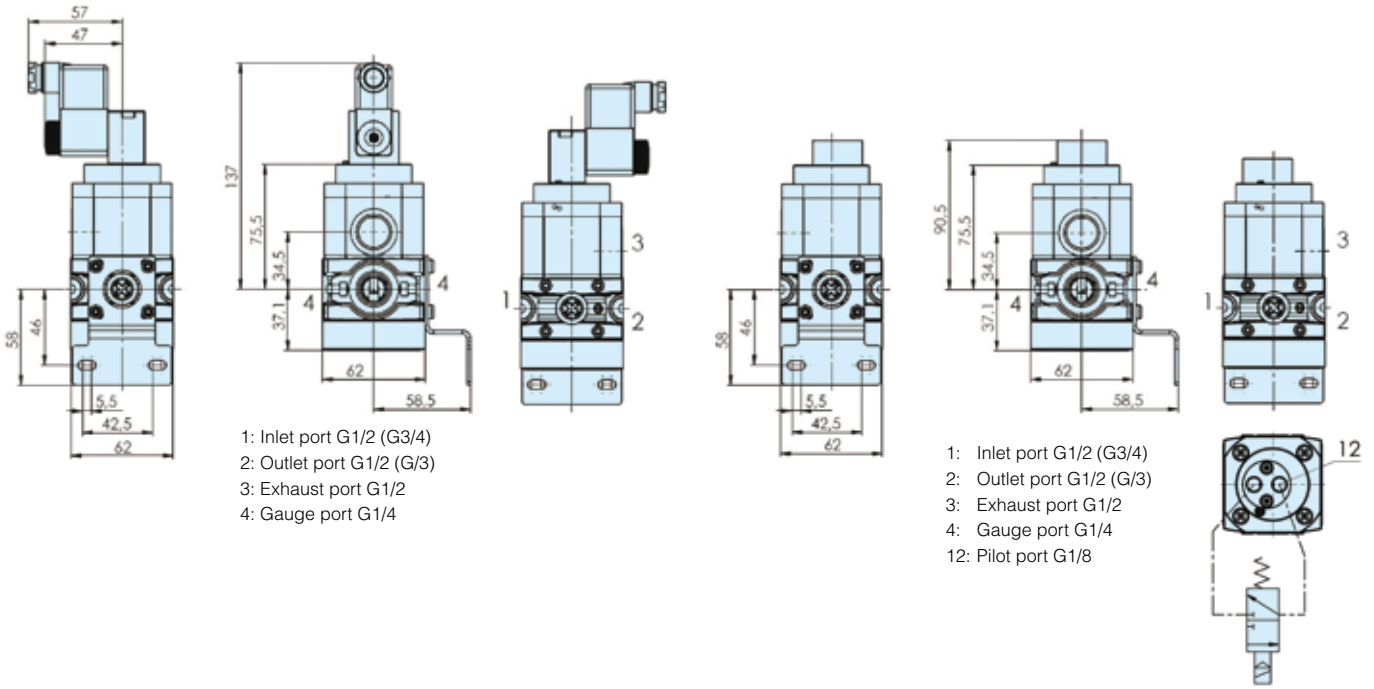
P 3 X		A					N		Solenoid type only	
Combined soft start dump valve	T				External air pilot	P	None (operator is fitted to valve)	0	Solenoid / coil not fitted	
Dump valve	D				Solenoid pilot	S	30mm CNOMO coil (Form connection)	A	000	
							22mm coil (Form connection)	B	24V DC	
BSPP (G)	1	1/2	4	30mm operator	C		30mm CNOMO coil (M12 connection)	D	2CN	
NPT *	9	3/4	6	Threaded air pilot	P		22mm coil (M12 connection)	E		

* NPT Ports on request 1/2" size only

Combined soft start dump valve

Port size	Description	Order Code	Flow dm ³ /s	Max bar	Min temp °C	Max temp °C	Height mm	Width mm	Depth mm	Weight kg
1/2	Solenoid operated (not included)	P3XTA14SCN0000	80	16	-10	60	144	62	62	0.75
1/2	24VDC 22mm coil	P3XTA14SCNB2CN	80	10	-10	60	174	88	62	0.75
1/2	24VDC 30mm coil	P3XTA14SCNA2CN	80	16	-10	60	174	88	62	0.75
1/2	Air pilot operated	P3XTA14PPN	80	16	-10	60	127.5	62	62	0.75
3/4	Solenoid operated (not included)	P3XTA16SCN0000	88	16	-10	60	144	62	62	0.75
3/4	24VDC 22mm coil	P3XTA16SCNB2CN	88	10	-10	60	174	88	62	0.75
3/4	24VDC 30mm coil	P3XTA16SCNA2CN	88	16	-10	60	174	88	62	0.75
3/4	Air pilot operated	P3XTA16PPN	88	16	-10	60	127.5	62	62	0.75

Dimensions (mm)



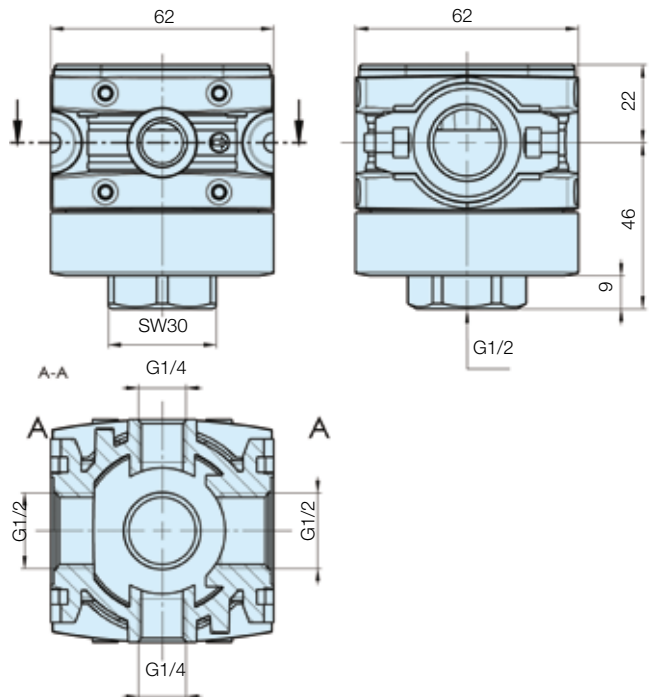
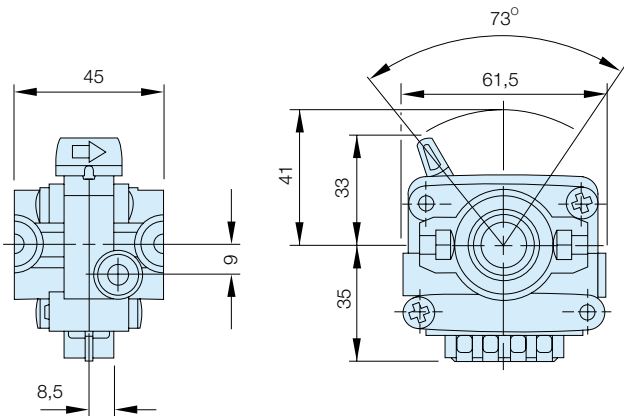
Modular Slide Valve

P 3 X	VA			LSN
BSPP (G)	1	G1/2	4	
NPT *	9	G3/4	6	

* NPT ports on request (1/2" size only)

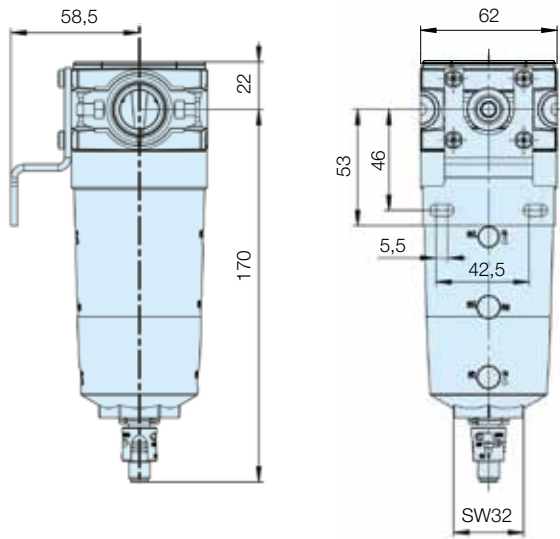
Modular Manifold

Description	Order code BSPP	Order code NPT	Weight (g)
G1/2"	P3XMA1V0N	P3XMA9V0N	170
G3/4"	P3XMA160N		170

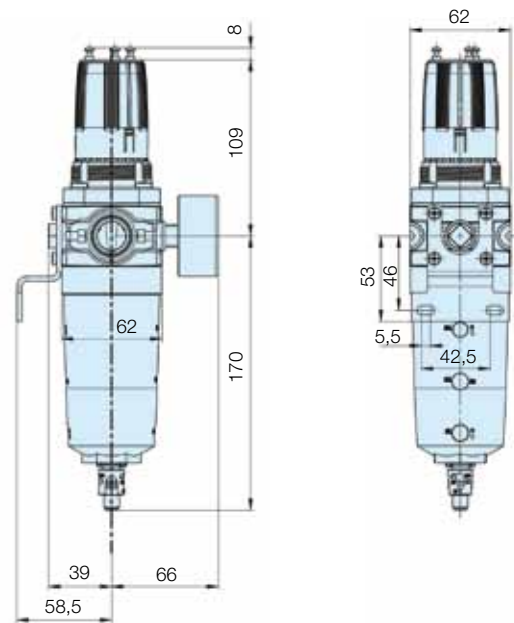


Dimensions (mm)

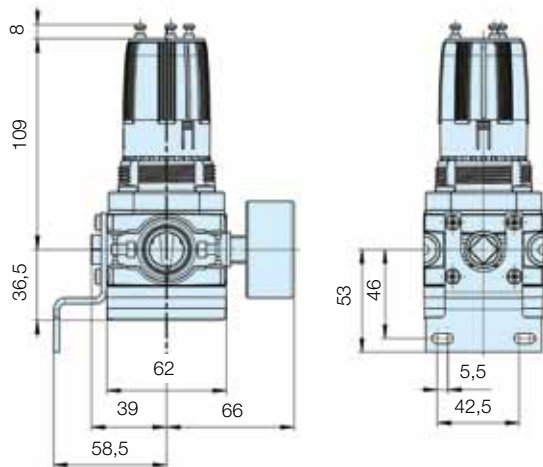
Filters



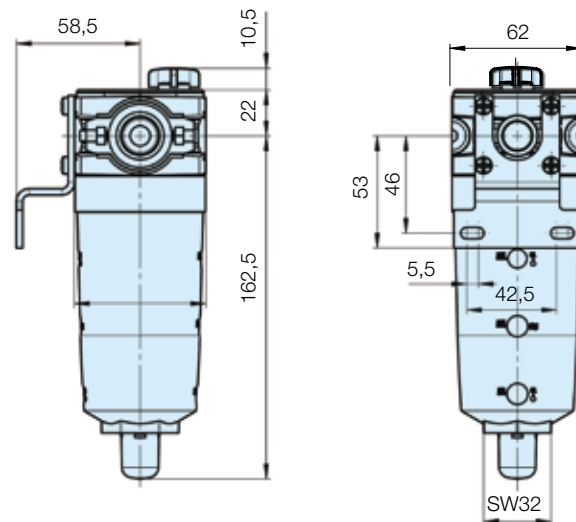
Filter/Regulators



Regulators



Lubricators



Service kits

Description	Order code
Adsorber element kit	P3XKA00ESA
0.01 micron element kit	P3XKA00ESC
1 micron element kit	P3XKA00ES9
5 micron element kit	P3XKA00ESE
40 micron element kit	P3XKA00ESG
Bowl kit with combined manual/semi auto drain	P3XKA00BSC
Bowl kit with auto drain	P3XKA00BSA
Diaphragm kit (relieving type)	P3XKA00RR
Diaphragm kit (non-relieving type)	P3XKA00RN
Connecting kit	P3XKA00CB

Accessories

Description	Order code
Connector kit	P3XKA00CB
Connector O'ring kit (5)	P3XKA04CY
Tamper-proof knob kit (keylock)	P3XKA00AS
Wall bracket kit	P3XKA00MW
Panel mount nut	P3XKA00MM

- Removes water vapour & lowers the PDP
- Compact design
- No electrical connections necessary
- Suitable for hazardous environments
- No moving parts
- Maintenance & wear free
- No change in air consumption
- Low pressure drop less than 0.1 bar
- Minimal purge air consumption
- Modular design - compatible with the P3X air prep series



Operating information

Operating pressure range: 5 to 16 bar
 Temperature range: 2 °C to 60 °C
 Pressure drop: 0.1 bar
 Purge air (at 20K PDP reduction): 10%
 Max Flow at inlet (size 50): 2800 l/m

Note:

For optimum system performance and maintenance free conditions, Parker recommend the dryer is preceded with a 5 micron and 0.01 coalescer filter from the P3X series.

Membrane dryer

Port size	Size	Description	Order Code
G1/2	10	Membrane dryer with return tube - size 10	P3XJA14CA1N
G1/2	15	Membrane dryer with return tube - size 15	P3XJA14CB1N
G1/2	20	Membrane dryer with return tube - size 20	P3XJA14CC1N
G1/2	25	Membrane dryer with return tube - size 25	P3XJA14CD1N
G1/2	35	Membrane dryer serial type - size 35	P3XJA14CE1N
G1/2	50	Membrane dryer serial type - size 50	P3XJA14CF1N



Note: For NPT threaded connections replace the 6th digit from a 1 to 9 ie: **P3XJA94CA1N**

Wall mounting bracket kit

Order Code

P3XKA00MWD

Note:

For optimum system performance and maintenance free conditions, Parker recommend the dryer is preceded with a 5 micron and 0.01 coalescer filter from the P3X series.

Complete Filter / Dryer System combinations available on request



F + Fc + MD



F + Fc + MD + R



F + Fc + MD + R + Fa

Selection Criteria

To correctly select the dryer best suited for your application, the following information is required to ensure optimum performance and trouble free operation.

- Maximum inlet pressure dew point (°C)
- Outlet PDP (°C)
- Working pressure (bar)
- Maximum inlet flow rate (m³/h)

Conversion factor for calculation of corrected flow rate

Operating pressure range p (bar)	5	6	7	8	9	10	11	12	13	14	15	16
Conversion factor f _p	0.57	0.78	1.0	1.21	1.42	1.64	1.85	2.06	2.28	2.49	2.70	2.92

Working Example:

Selecting a dryer with an inlet pressure dew point of 35°C, a PDP reduction of 35K with a working / operating pressure of 6 bar and an inlet flow of 11 m³/h.

Step 1

From the correction factor table select the required pressure (6 bar) and read below the corrected factor value (0.78)

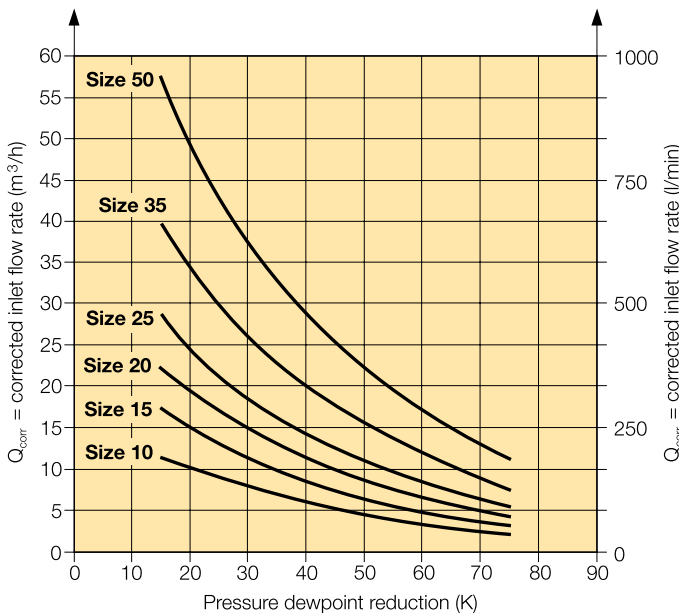
Step 2

To adjust the flow for your application, divide the required flow by the 0.78 correction factor

$$\text{Sizing capacity} = \frac{\text{Actual flow}}{\text{Correction factor}} = \frac{11 \text{ m}^3/\text{h}}{0.78} = 14.1 \text{ m}^3/\text{h}$$

Step 3

Plot the values on the selection graph (below). Where the dew point reduction value of 35K intersects with the corrected flow value of 14.1 m³/h, select the dryer flow curve which is equal or above the intersection point. For example: the optimum dryer would be **size 25 (P3XJA14CD1N)**



For the most demanding hi-flow industrial applications



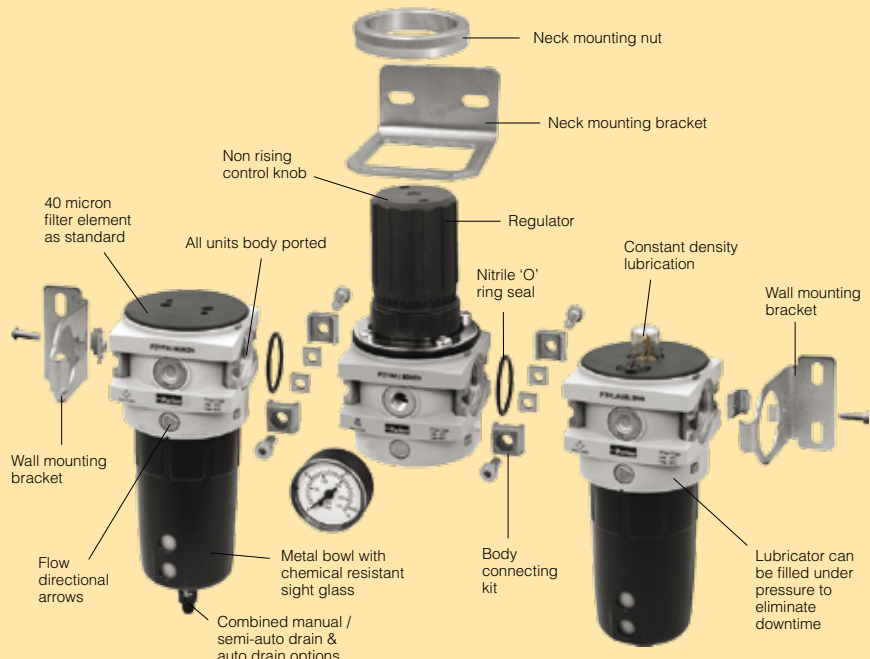
The P3Y system allows units to be connected together, without the use of pipe connectors, saving space; providing constant mounting centres; whilst maintaining a modern aesthetically pleasing appearance.

The P3Y Filters are specially designed to efficiently filter out rust, dirt, moisture and other impurities from compressed air lines. Operation is fully automatic with a minimum of pressure drop. Coalescing filters and adsorber filters for high purity air are also included in the P3Y series.

The P3Y Regulators are designed to provide quick response and accurate pressure regulation for the most demanding hi-flow industrial applications. The rolling diaphragm was designed for long trouble-free operation and will not rupture or tear under high cycle or other demanding applications.



Selection of Filters





DECLARATION



We **Parker Hannifin Manufacturing Austria GmbH**
Pneumatic Division
Dr. Alexander Schärfstrasse 12
2700 Wiener Neustadt
Austria

Product	Series	Category
Filter	P3YFA	for zone 1, 21
Regulator	P3YRA	for zone 1, 21
Filter regulator	P3YEA	for zone 1, 21
Lubricator	P3YLA	for zone 1, 21
Ball Valve	P3YVA	for zone 1, 21
Manifold	P3YMA	for zone 1, 21

For non-fitted solenoid product

Soft Start & Dump Valve	P3YTA	for zone 1, 21
Soft Start Valve	P3YSA	for zone 1, 21
Dump Valve	P3YDA	for zone 1, 21

Following Ignition Hazard Assessments performed on the non-electrical products listed above, in accordance with the requirements of EN 13463-1:2009, it was considered that the equipment does not contain its own source of ignition, and therefore is not within the scope of directive 94/9/EC.

The products can be used in a Group II Category 2 environment assuming that the ATEX Directive and the following conditions are complied with:

- Installation and maintenance of the product must be undertaken by qualified personnel.
- Do not mount the products in an area where impact may occur.
- Filters must be used to limit the introduction of particles and to capture particles generated in service.
- Supply air quality must be within ISO 8573-1:2010 Class 1.4.2.
- Maximum working temperature to be as stated on product label.
- WARNING – pulsating pressure and/or a closed circuit can generate heat.
- Deposits of dust on the product must not exceed 5mm thickness.
Refer to technical file for surface areas of plastics.
The unit must be earthed via the compressed air supply line.
- The unit must not come into contact with liquid solvents, acids or alkalis.
Refer to technical file for chemicals known to be incompatible.
Product cleaning must be undertaken using a method complying with the specification of the ATEX zone, preferably by using mild soap and water or antistatic products.
- **Regulators, Filter Regulators:**
Do not use Regulators or Filter Regulators within systems that can create vibration within the Regulator/Filter Regulator unit.
- **Solenoid Operated Valves:**
Are suitable for use in an ATEX environment, (Group II Category 2) providing ATEX approved solenoids are fitted.
- Technical file available on request.

Approved by:

E. Bauregger (Location Engineering Manager)

- Integral 3/4 or 1" ports (BSPP or NPT)
- High efficiency element as standard
- Excellent water removal efficiency
- Robust but lightweight aluminium construction
- Secondary pressure ranges 12 and 16 bar
- Rolling diaphragm for extended life
- Secondary aspiration plus balanced poppet provides quick response and accurate pressure regulation.
- Low temperature -40°C with Regulators/Filters and Filter Regulators using combined manual/semi auto drain as standard without pressure gauge.



Operating information

Working pressure:	Max 17.5 bar
Working temperature:	-40 °C to +60 °C

Flow characteristics

Flow dm ³ /s	3/4	1"
Filter	116	119
Dust Filter	137	145
Coalescing Filter	49	59
Adsorber Filter	47	50
Regulator	155	321
Filter Regulator	190	237
Lubricator	162	184

Filters - 40 micron element

Port size	Description	Order Code
G3/4	Manual drain/Semi auto	P3YFA16GSCN
G3/4	Auto drain	P3YFA16GSAN
G1"	Manual drain / Semi auto	P3YFA18GSCN
G1"	Auto drain	P3YFA18GSAN
	Mounting bracket	P3YKA00CW

Dust Filters - 1 micron element

Port size	Description	Order Code
G3/4	Manual drain/Semi auto	P3YFA162SCN
G3/4	Auto drain	P3YFA162SAN
G1"	Manual drain / Semi auto	P3YFA182SCN
G1"	Auto drain	P3YFA182SAN

Regulators - relieving type - non relieving options available

Port size	Description	Order Code
G3/4	12 bar relieving	P3YRA16BNEN
G3/4	12 bar relieving + gauge	P3YRA16BNFN
G1"	12 bar relieving	P3YRA18BNEN
G1"	12 bar relieving + gauge	P3YRA18BNFN
G3/4	12 bar relieving, lockable	P3YRA16BAEN
G3/4	12 bar relieving, lockable + gauge	P3YRA16BAFN
G1"	12 bar relieving, lockable	P3YRA18BAEN
G1"	12 bar relieving, lockable + gauge	P3YRA18BAFN

Pressure Gauges

	Order Code
0 - 10 bar	KG8012-00
0 - 16 bar	KG8013-00

Coalescing Filters - 0.01 micron element

Port size	Description	Order Code
G3/4	Coalescing 0.01µm, manual/semi auto drain	P3YFA16DSCN
G3/4	Coalescing Filter 0.01µm, auto drain	P3YFA16DSAN
G1"	Coalescing 0.01µm, manual/semi auto drain	P3YFA18DSCN
G1"	Coalescing Filter 0.01µm, auto drain	P3YFA18DSAN

Adsorber Filters

Port size	Description	Order Code
G3/4	Adsorber, manual drain	P3YFA16ASCN
G1"	Adsorber, manual drain	P3YFA18ASCN

Lubricators

Port size	Description	Order Code
G3/4	Oil mist, fill under pressure	P3YLA16LSNN
G1"	Oil mist, fill under pressure	P3YLA18LSNN

Filter/Regulators - relieving type - non relieving options available

Port size	Description	Order Code
G3/4	12 bar, relieving manual/semi auto drain	P3YEA16GSCBNEN
G3/4	12 bar, relieving auto drain	P3YEA16GSABNEN
G3/4	12 bar, relieving manual/semi auto + gauge	P3YEA16GSCBNFN
G3/4	12 bar, relieving auto drain + gauge	P3YEA16GSABNFN
G1"	12 bar, relieving manual/semi auto drain	P3YEA18GSCBNEN
G1"	12 bar, relieving auto drain	P3YEA18GSABNEN
G1"	12 bar, relieving manual/semi auto + gauge	P3YEA18GSCBNFN
G1"	12 bar, relieving auto drain + gauge	P3YEA18GSABNFN

Combined Soft Start Dump Valve and Remote Operated Dump Valve

Port size	Description	Order Code
G3/4	Solenoid operated (not included)	P3YTA16SCN0000
G3/4	24VDC 22mm coil	P3YTA16SCNB2CN
G3/4	Air pilot operated	P3YTA16PPN
G1"	Solenoid operated (not included)	P3YTA18SCN0000
G1"	24VDC 22mm coil	P3YTA18SCNB2CN
G1"	Air pilot operated	P3YTA18PPN

Soft Start Valve

Port size	Description	Order Code
G3/4	Soft start valve	P3YSA16Y0N
G1"	Soft start valve	P3YSA18Y0N

Neck mounting bracket kit

Description	Order Code
Neck mounting bracket kit	P3YKA00MS

Wall mounting brackets

Description	Order Code
Wall mounting brackets	P3YKA00CW

Pilot Operated Regulator

Port size	Description	Order Code
G3/4	Pilot operated regulator	P3YRA16BPPN
G1"	Pilot operated regulator	P3YRA18BPPN

Modular Ball Valve

Port size	Description	Order Code
G3/4	Modular Ball Valve	P3YVA16LBN
G1"	Modular Ball Valve	P3YVA18LBN

Modular Manifold

Port size	Description	Width	Order Code
G3/4	Modular Manifold	(80 mm)	P3YMA1V0N
G1"	Modular Manifold	(80 mm)	P3YMA9V0N
G3/4	Modular Manifold	(35 mm)	P3YMA16024N

Optional Port Block Kits

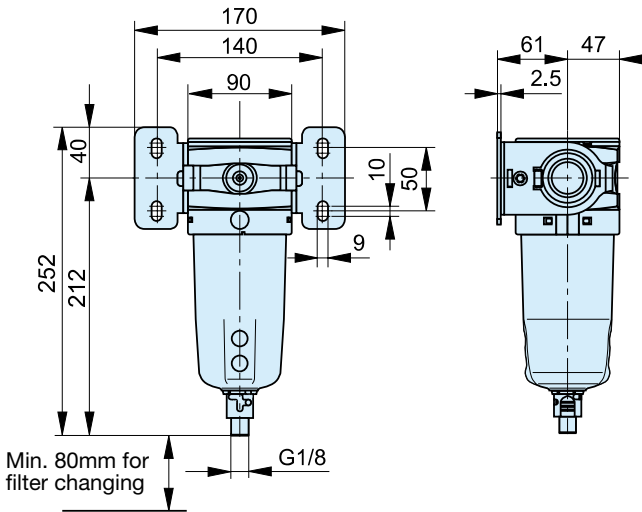
Port size	Description	Order Code
G1 ¹ / ₄ "	Port block kit - BSPP	P3YKA1ACP
G1 ¹ / ₂ "	Port block kit - BSPP	P3YKA1BCP
G3/4"	Port block kit - BSPP	P3YKA16CP
G1"	Port block kit - BSPP	P3YKA18CP

Connector kit

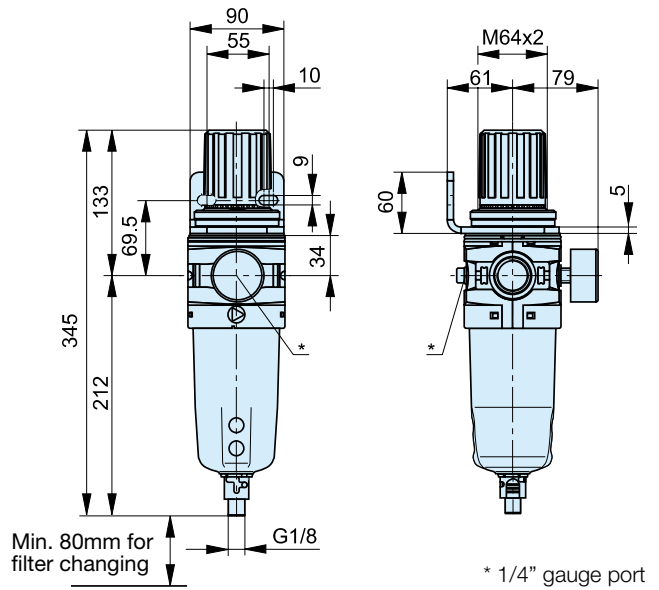
Description	Order Code
Connector kit	P3YKA00CB

Dimensions (mm)

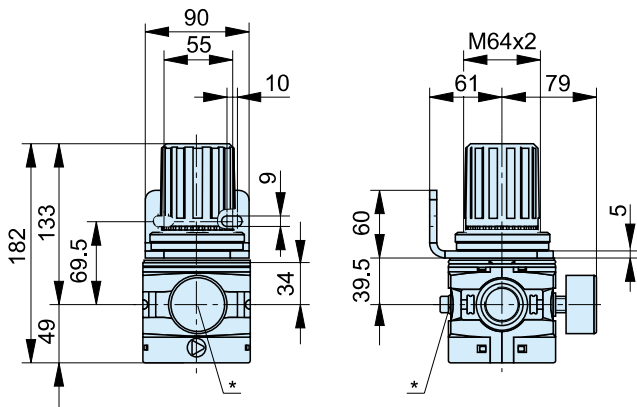
Filters



Filter/Regulators

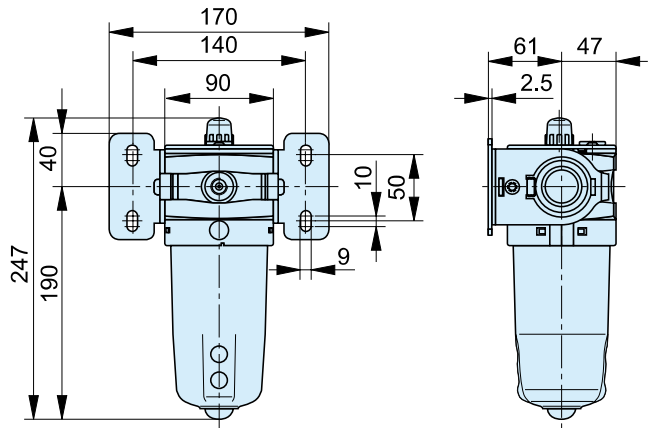


Regulators



* 1/4" gauge port

Lubricators



Service kits

Description	Order code
5 micron element kit	P3YKA00ESE
40 micron element kit	P3YKA00ESG
Bowl kit with combined manual/semi auto drain	P3YKA00BSC
Bowl kit with auto drain	P3YKA00BSA
Key Lock Kit	P3XKA00AS
Diaphragm kit (relieving type)	P3YKA00RR
Diaphragm kit (non-relieving type)	P3YKA00RN
Angle bracket + metal lock ring	P3YKA00MS
Panel mount nut	P3YKA00MM



DECLARATION



We **Parker Hannifin Manufacturing Austria GmbH**
Pneumatic Division
Dr. Alexander Schärfstrasse 12
2700 Wiener Neustadt
Austria

Product	Series	Category
Filter	P3ZFA	for zone 1, 21
Regulator	P3ZRA	for zone 1, 21
Lubricator	P3ZLA	for zone 1, 21
Manifold	P3ZMA	for zone 1, 21

For non-fitted solenoid product

Soft Start & Dump Valve	P3ZTA	for zone 1, 21
Soft Start Valve	P3ZSA	for zone 1, 21
Dump Valve	P3ZDA	for zone 1, 21

Following Ignition Hazard Assessments performed on the non-electrical products listed above, in accordance with the requirements of EN 13463-1:2009, it was considered that the equipment does not contain its own source of ignition, and therefore is not within the scope of directive 94/9/EC.

The products can be used in a Group II Category 2 environment assuming that the ATEX Directive and the following conditions are complied with:

- Installation and maintenance of the product must be undertaken by qualified personnel.
- Do not mount the products in an area where impact may occur.
- Filters must be used to limit the introduction of particles and to capture particles generated in service.
- Supply air quality must be within ISO 8573-1:2010 Class 1.4.2.
- Maximum working temperature to be as stated on product label.
- WARNING – pulsating pressure and/or a closed circuit can generate heat.
- Deposits of dust on the product must not exceed 5mm thickness.
 - Refer to technical file for surface areas of plastics.
 - The unit must be earthed via the compressed air supply line.
- The unit must not come into contact with liquid solvents, acids or alkalis.
 - Refer to technical file for chemicals known to be incompatible.
 - Product cleaning must be undertaken using a method complying with the specification of the ATEX zone, preferably by using mild soap and water or antistatic products.
- **Regulators, Filter Regulators:**
 - Do not use Regulators or Filter Regulators within systems that can create vibration within the Regulator/Filter Regulator unit.
- **Solenoid Operated Valves:**
 - Are suitable for use in an ATEX environment, (Group II Category 2) providing ATEX approved solenoids are fitted.
- Technical file available on request.

Approved by:

E. Bauregger (Location Engineering Manager)

The all metal P3Z Series FRLs are ideal for most medium sized ring main installations.

- Self relieving feature plus balanced poppet provides quick response and accurate pressure regulation.
- Threaded port flange available to G1-1/2" and G2"
- Proportional oil delivery over a wide range of air flows.



Operating information

Working pressure: 0 - 17.5 bar
 Working temperature: 0 °C to +60 °C

Flow characteristics

Flow	Filter	Regulator	Lubricator
	>666,6 dm ³ /s	>666,6 dm ³ /s	>666,6 dm ³ /s

For more information see www.parker.com/euro_pneumatic



Filters

Port size	Description	Order Code
-	40µ auto drain without flange SAE	P3ZFA00HMAN
G1.1/2"	40µ auto drain flange fitted to SAE	P3ZFA1BHMAN
G2"	40µ auto drain flange fitted to SAE	P3ZFA1CHMAN



Coalescing Filters

Port size	Description	Order Code
-	0.01 micron, auto drain	P3ZFA00DMAN
G1.1/2"	0.01 micron, auto drain, flange fitted to SAE	P3ZFA1BDMAN
G2"	0.01 micron, auto drain, flange fitted to SAE	P3ZFA1CDMAN



Dust Filters

Port size	Description	Order Code
-	1µ auto drain (pressure relief) without flange SAE	P3ZFA00MMAN
G1.1/2"	1µ auto drain (pressure relief) flange fitted to SAE	P3ZFA1BMMAN
G2"	1µ auto drain (pressure relief) flange fitted to SAE	P3ZFA1CMMAN



Adsorber Filters

Port size	Description	Order Code
-	Adsorber, auto drain	P3ZFA00BMAN
G1.1/2"	Adsorber, auto drain	P3ZFA1BBMAN
G2"	Adsorber, auto drain	P3ZFA1CBMAN



Regulators

Port size	Description	Order Code
-	8 bar, relieving + gauge, without flange SAE	P3ZRA00BNGN
G1.1/2"	8 bar, relieving + gauge	P3ZRA1BBNGN
G2"	8 bar, relieving + gauge	P3ZRA1CBNGN
-	16 bar relieving + gauge, without flange SAE	P3ZRA00BNJN
G1.1/2"	16 bar, relieving + gauge	P3ZRA1BBNJN
G2"	16 bar, relieving + gauge	P3ZRA1CBNJN



Regulators Pilot Control

Port size	Description	Order Code
-	16 bar, air pilot	P3ZRA00BPPN
G1.1/2"	16 bar, relieving + gauge	P3ZRA1BBPPN
G2"	16 bar, relieving + gauge	P3ZRA1CBPPN

Combined Soft Start Dump Valve and Remote Operated Dump Valve

Port size	Description	Order Code
-	Solenoid operated (not included)	P3ZTA00SCN0000
-	24VDC 22mm coil	P3ZTA00SCNB2CN
G1.1/2"	Solenoid operated (not included)	P3ZTA1BSCN0000
G1.1/2"	24VDC 22mm coil	P3ZTA1BSCNB2CN
G2"	Solenoid operated (not included)	P3ZTA1CSCN0000
G2"	24VDC 22mm coil	P3ZTA1CSCNB2CN

Soft Start Valve

Port size	Description	Order Code
-	Internal air pilot operated	P3ZSA00Y0N
G1.1/2"	Internal air pilot operated	P3ZSA1BY0N
G2"	Internal air pilot operated	P3ZSA1CY0N



Lubricators

Port size	Description	Order Code
-	Lubricator, without flange SAE	P3ZLA00LSMN
G1.1/2"	Lubricator	P3ZLA1BLSMN
G2"	Lubricator	P3ZLA1CLSMN
G2"	Central airline lubricator with electrical oil level control	P3ZLA1CEMMW
G2"	Central airline lubricator with aluminium bowl	P3ZLA1CMMMW
Lubricator OIL - VG32 - 1 Litre		P3YKA00PPBB



Options & Accessories

Port size	Description	Order Code
G1.1/2"	Connection flange kit	P3ZKA1BCP
G2"	Connection flange kit	P3ZKA1CCP
-	Wall mounting kit	P3ZKA00MW
-	Coupling kit	P3ZKA00CB
-	Coupling 'O' ring kit (5 off)	P3ZKA0CCY
-	Porting block kit (1", 1/8" & 2 x 1/4" take off)	P3ZMA1V0N

- Very fast response times
- Accurate output pressure
- Micro parameter settings
- Selectable I/O parameters
- Quick, full flow exhaust
- LED display indicates output pressure
- No air consumption in steady state
- Multiple mounting options
- Protection to IP65
- P31P flows to 19 dm³/s (40 scfm)
- P32P flows to 57 dm³/s (120 scfm)



P31PA Series
Bottom exhaust

P32PA Series
Bottom exhaust

Order Key

P 3	P A	2	1 A
------------	------------	----------	------------

Port size	
Global Mini (1/4")	1
Global Compact (1/2")	2

Thread type	
BSP	1
NPT	9

Port size	
Global Mini (1/4")	2
Global Compact (1/2")	4

Version	
Bottom ported exhaust NC	A
Bottom ported forced exhaust (NO) *	E

Pressure Range	
0 - 2 bar	Z
0 - 7 bar	S
0 - 10 bar	D

Power supply	
24 volts	2

Control Signal	
0-10 V	V
4-20 mA	A

Output Signal	
Digital, PNP 1)	D
PNP or 0-10V 2)	P
NPN or 0-10V 3)	N
4-20mA fixed 4)	M

Input connector	
M12 (4 pin)	1

* When the supply voltage is lost the unit will automatically exhaust the regulated pressure to 0 bar (atmospheric pressure)

- 1) Digital PNP output only, no analogue output selectable
- 2) Digital PNP and analogue 0-10V outputs selectable, by means of parameter 6. (Factory default 0-10V)
- 3) Digital NPN and analogue 0-10 V outputs selectable by means of parameter 6. (Factory default 0-10V)
- 4) Analogue 4-20mA output only.

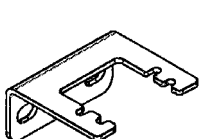
Note: On all analogue outputs the F.S. value can be adjusted by means of parameter 8

P31P Mounting brackets

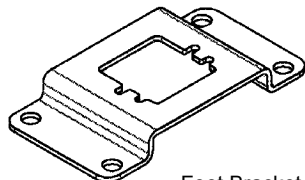
Order Code	Description
P3HKA00ML	L-Bracket mounting kit
P3HKA00MC	Foot bracket mounting kit

P32P Mounting brackets

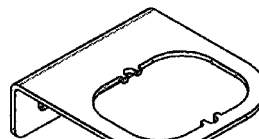
Order Code	Description
P3KKA00ML	L-Bracket mounting kit
P3KKA00MC	Foot bracket mounting kit



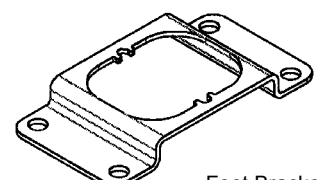
L-Bracket



Foot Bracket



L-Bracket



Foot Bracket

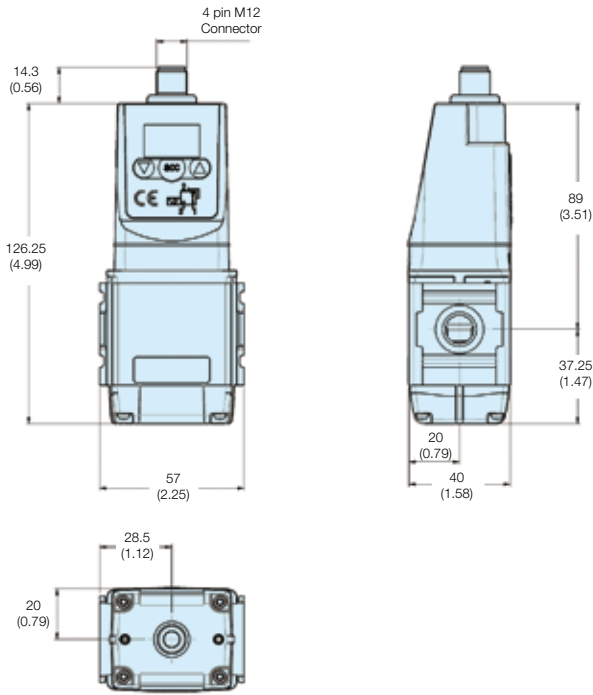
Cables

Order Code	Description
P8L-MC04A2A-M12	2 mtr. cable with moulded straight M12x1 connector
P8L-MC04R2A-M12	2 mtr. cable with moulded 90 degree M12x1 connector.

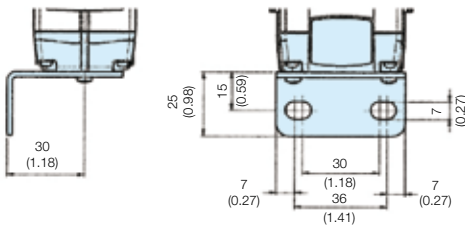
Note:

These brackets fit both Proportional Regulators and Combined Soft Start & Dump Valves.

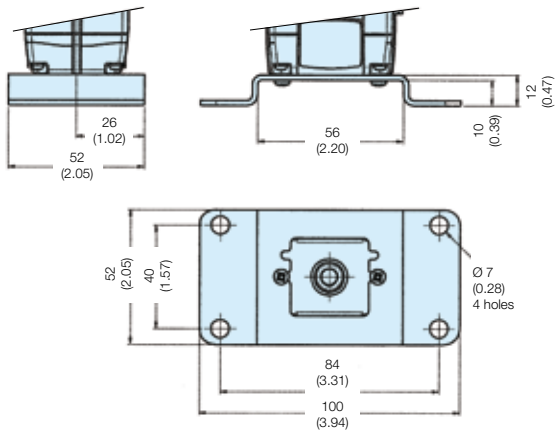
P31P



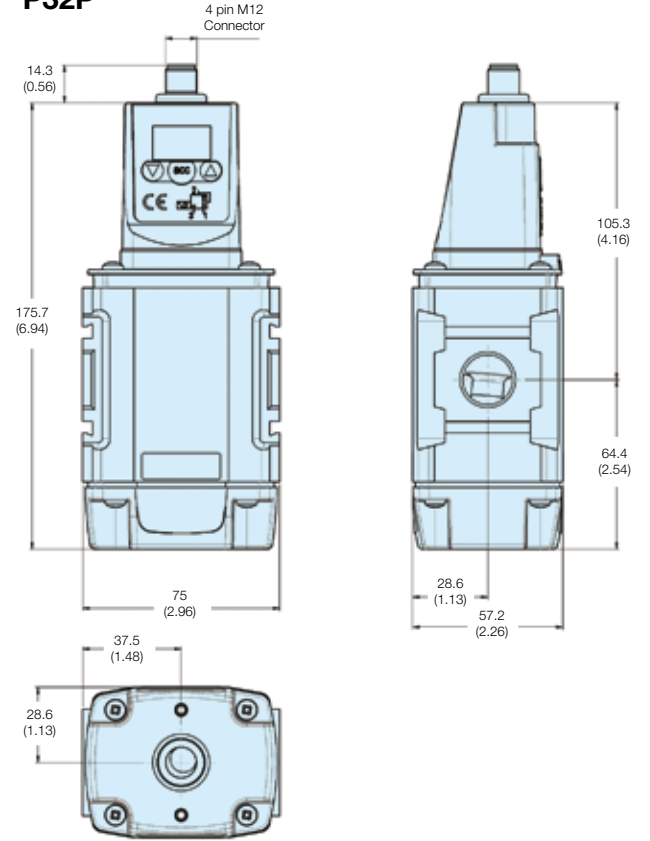
L-Bracket



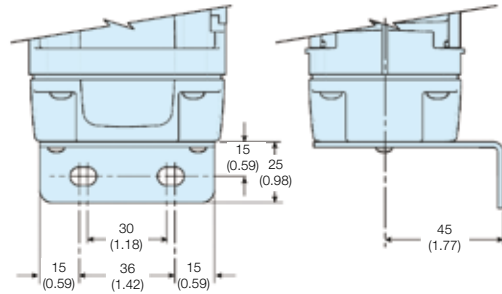
Foot Bracket



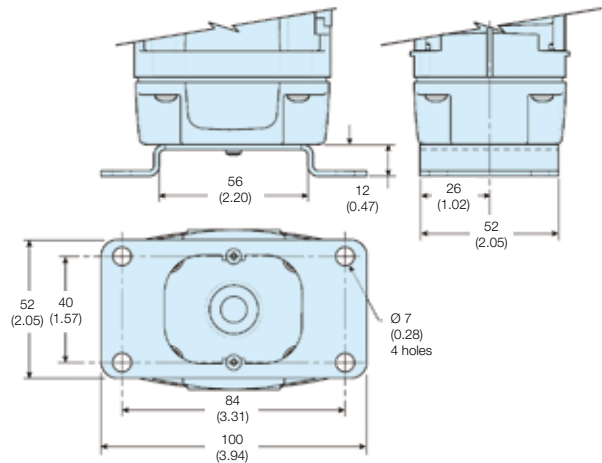
P32P



L-Bracket



Foot Bracket



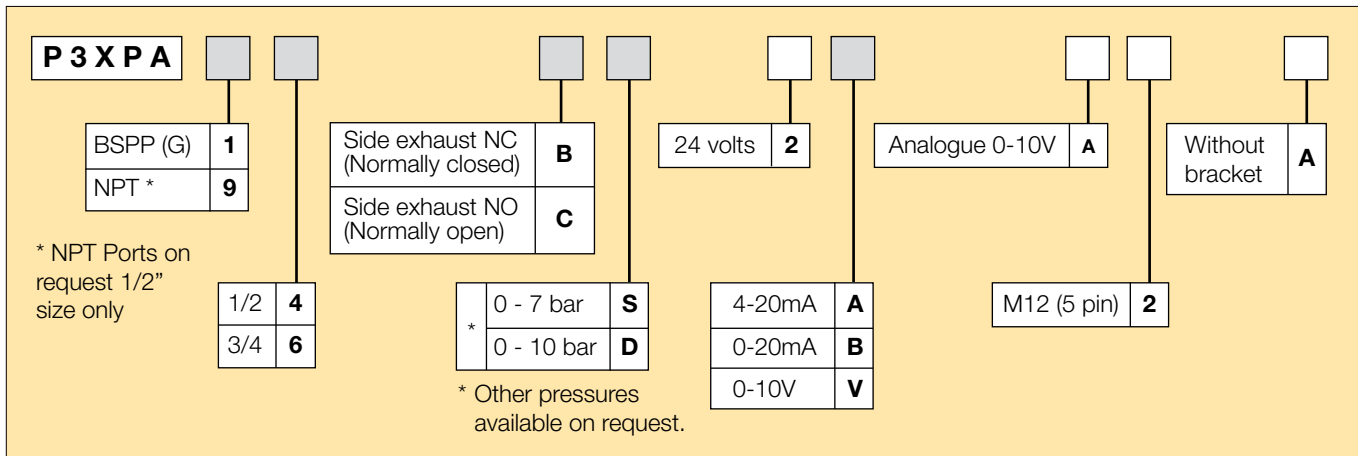
Dimensions are in mm (Inches)

P3X Proportional Pressure Regulator



- Integral 1/2" or 3/4" ports (BSPP & NPT)
- Accurate output pressure
- Very fast response times
- Robust but lightweight design.

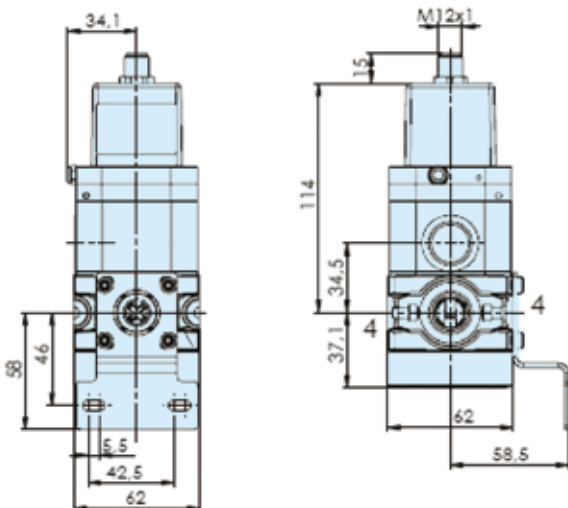
Options:



Popular options:

Port size	Description	Order Code	Control signal	Output signal	Output pressure	Weight kg
1/2	Normally closed	P3XPA14BD2VA2A	0 - 10 V	0 - 10 V	0 - 10 bar	0.75
3/4	Normally closed	P3XPA16BD2VA2A	0 - 10 V	0 - 10 V	0 - 10 bar	0.75

Dimensions (mm)



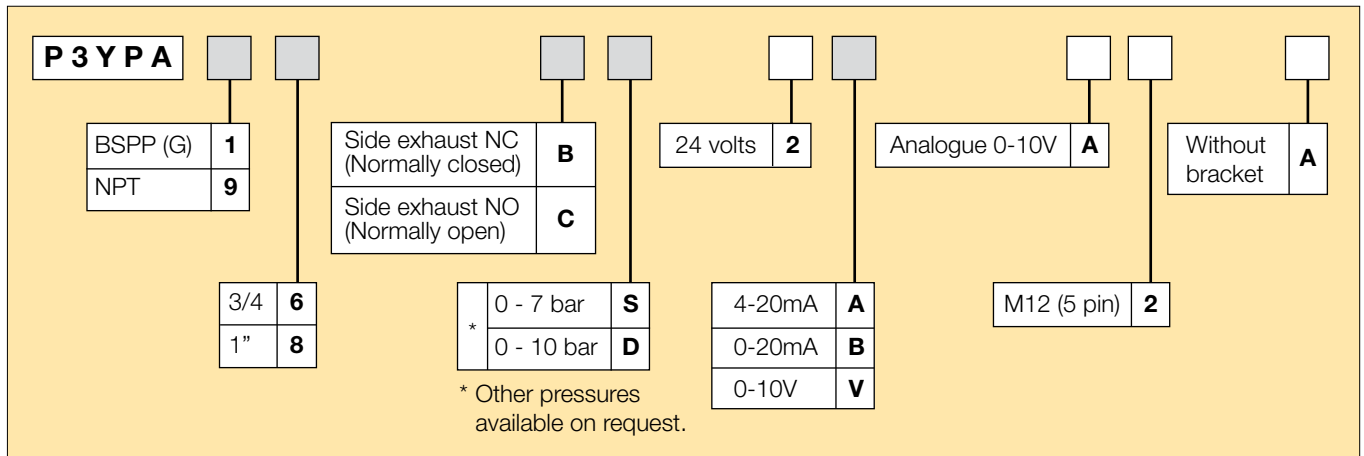
- * Two opposite gauge ports G1/4, plug screw mounted
- ** Connection for 5-pin plug M12 x 1
- *** Exhaust port 1/2"

P3Y Proportional Pressure Regulator



- Integral 3/4 or 1" ports (BSPP & NPT)
- Accurate output pressure
- Very fast response times
- Robust but lightweight design.

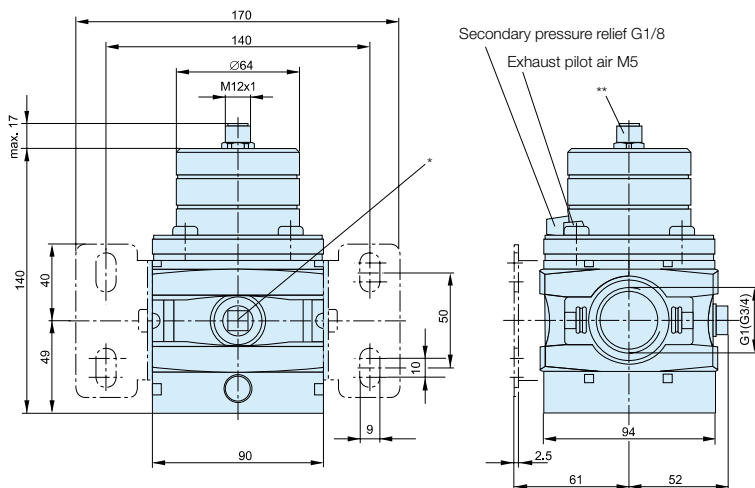
Options:



Popular options:

Port size	Description	Order Code	Control signal	Output signal	Output pressure	Weight kg
3/4	Normally closed	P3YPA16BD2VA2A	0 - 10 V	0 - 10 V	0 - 10 bar	1.2
1"	Normally closed	P3YPA18BD2VA2A	0 - 10 V	0 - 10 V	0 - 10 bar	1.2

Dimensions (mm)



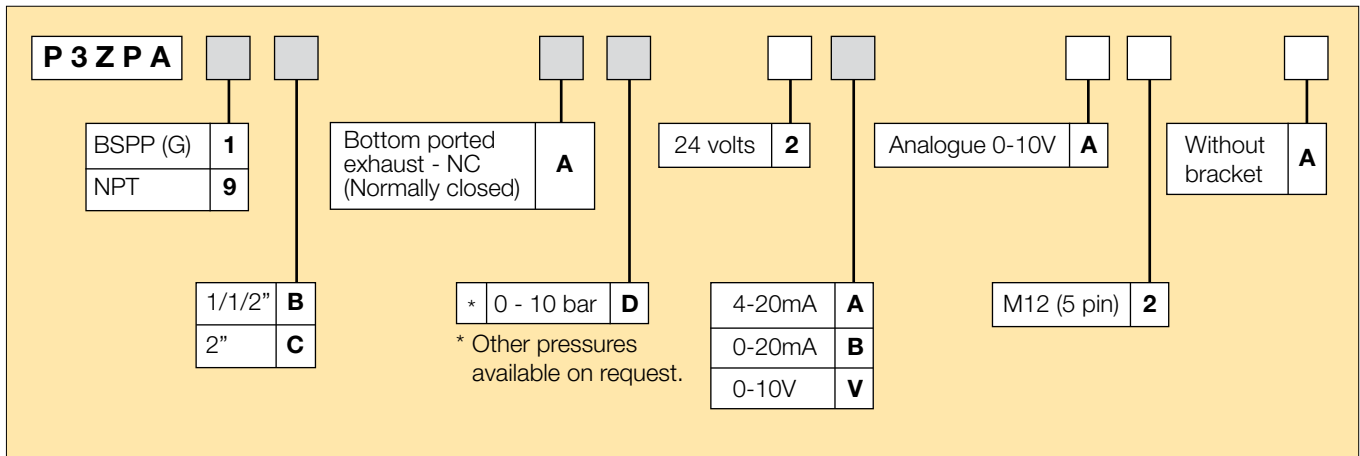
* Two opposite gauge ports G1/4, plug screw mounted
 ** Connection for 5-pin plug M12 x 1

P3Z Proportional Pressure Regulator



- Flanged 1-1/2" or 2" ports (BSPP & NPT)
- Accurate output pressure
- Very fast response times
- Robust die-cast aluminium construction

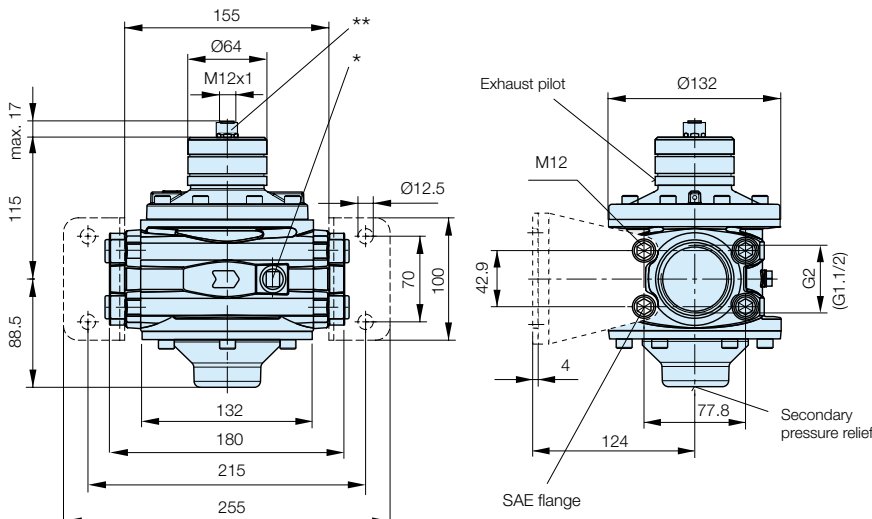
Options:



Popular options:

Port size	Description	Order Code	Control signal	Output signal	Output pressure	Weight kg
1-1/2"	Normally closed	P3ZPA1BAD2VA2A	0 - 10 V	0 - 10 V	0 - 10 bar	1.2
2"	Normally closed	P3ZPA1CAD2VA2A	0 - 10 V	0 - 10 V	0 - 10 bar	1.2

Dimensions (mm)

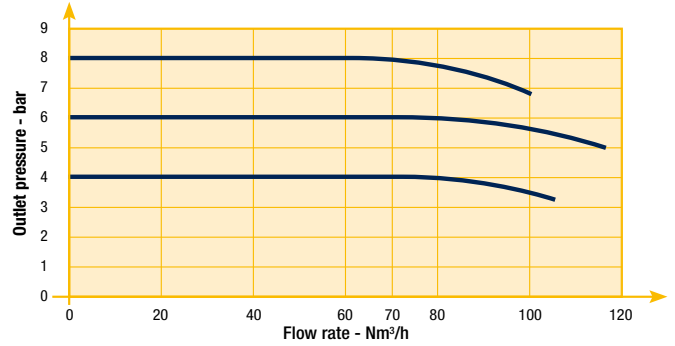


* Two opposite gauge ports G1/4, plug screw mounted
 ** Connection for 5-pin plug M12 x 1

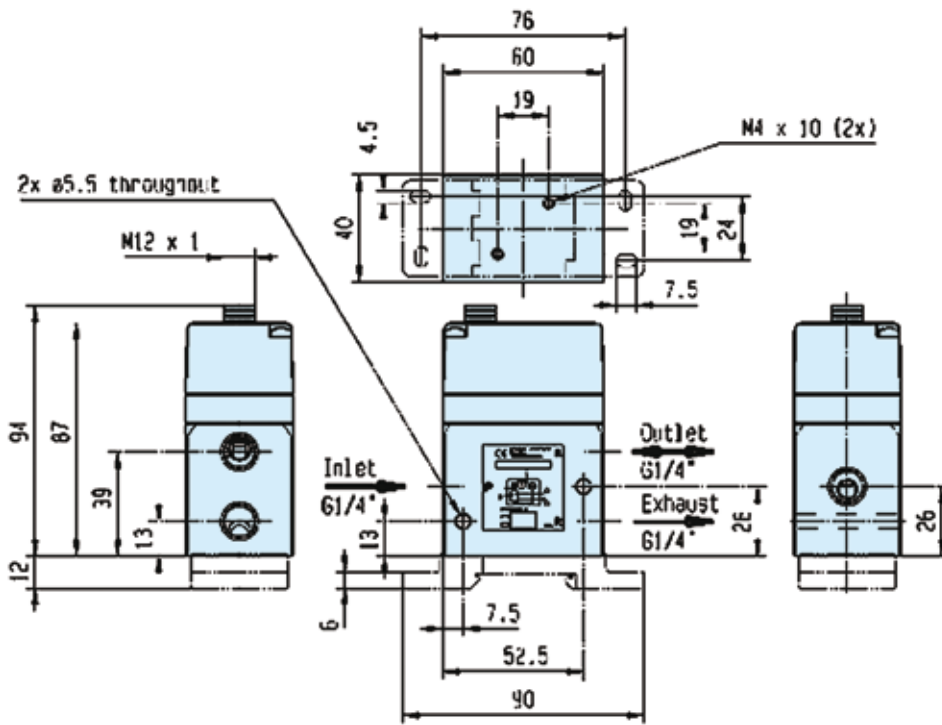
**EPP4 Pressure Regulator Basic
 G 1/4"**



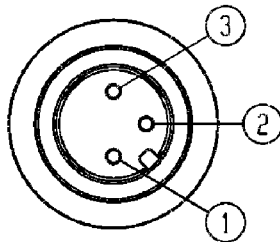
Flow Curve 1/4"



Dimensions

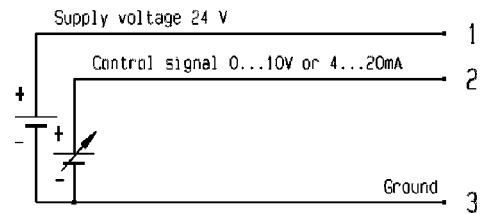


The male connector adopted on the EPP4 is a standard 4 pole M12, without the pin number 4:



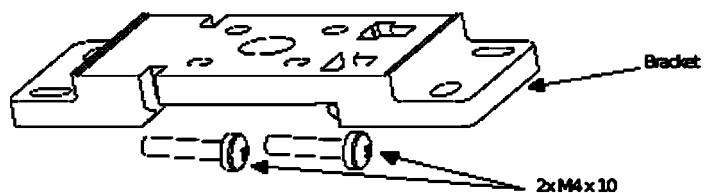
The female connector to mount is the 4 pole M12 connector (IEC 61076-2-101 model LF) where the pin number 4 is not connected.

ELECTRICAL CONNECTION



Accessories

Mounting bracket
 (automatically supplied with each EPP4)



Lucifer® EPP4 Basic and Comfort 1/4" and 1/2" Technical Data

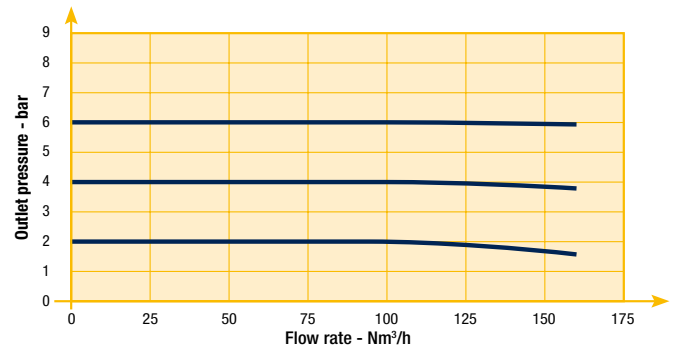
	Basic 1/4"	Basic 1/2"
Fluids:	Lubricated or non lubricated air and neutral gases Recommended filtration: 50 µm	
Temperature range:	Ambient: 0°C to +50 °C Fluid: 0°C to +50 °C	
Inlet pressure range: The inlet pressure must always be at least 1 bar above the regulated pressure.	1 to 12 bar	1 to 12 bar
Outlet pressure range:	0.05 to 10 bar	
Hysteresis:	± 50 mbar (factory set up)	
Air consumption at constant control signal:	0	
Supply voltage:	24 V DC ± 15 % (Max. ripple 1 V)	
Power consumption:	Max. 2.8 W with 24 V DC and constant changes of the control signal < 1.5 W without change of control signal	
Control signal:	Analog 0 - 10 V Analog 4 - 20 mA	
Max. flow: Indicative response time: With a volume of 300 cm³ at the outlet of the regulator	70 m³/h	150 m³/h
Filling 2 to 4 bar: Filling 2 to 8 bar: Emptying 4 to 2 bar: Emptying 8 to 2 bar:	50 msec 100 msec 70 msc 130 msc	60 msec 120 msec 90 msec 190 msc
Safety position:	In case of control signal failure or if it is less than 50mV, the regulated pressure drops automatically to 0 bar (atmospheric pressure). In case of voltage supply failure, the regulated pressure will be kept constant.	
Electrical connection:	M12 - 4 pin; 4 x 0.34 mm²	
Life expectancy:	> 50 Million changes of control signal steps	
Mounting position:	Indifferent (recommended position: upright; electronic part on top)	
Resistance to vibrations:	30 g in all directions	
Degree of protection:	IP 65	
Assembly:	Silicone free	
Electromagnetic compatibility: In accordance with:	EN 61000-6-1: 2001 EN 61000-6-2: 2001 EN 61000-6-3: 2001 EN 61000-6-4: 2001	
Installation and setting instructions:	See our "Notice 408038, 408014" and appendix supplied with the product.	

Note: Parker reserves the right to change specifications without notification.

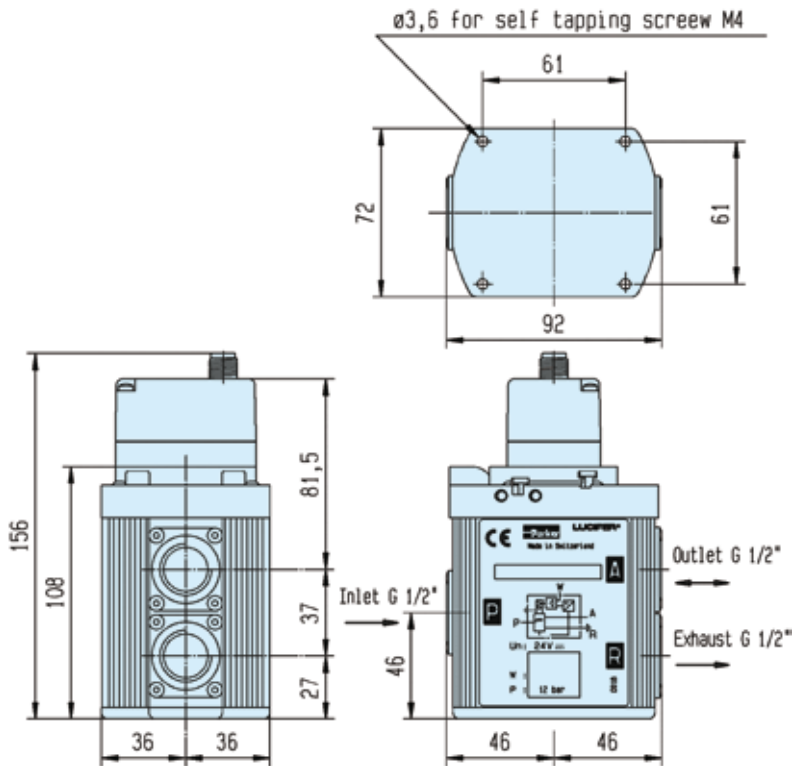
**EPP4 Pressure Regulator Basic
 G 1/2"**



Flow Curve 1/2"



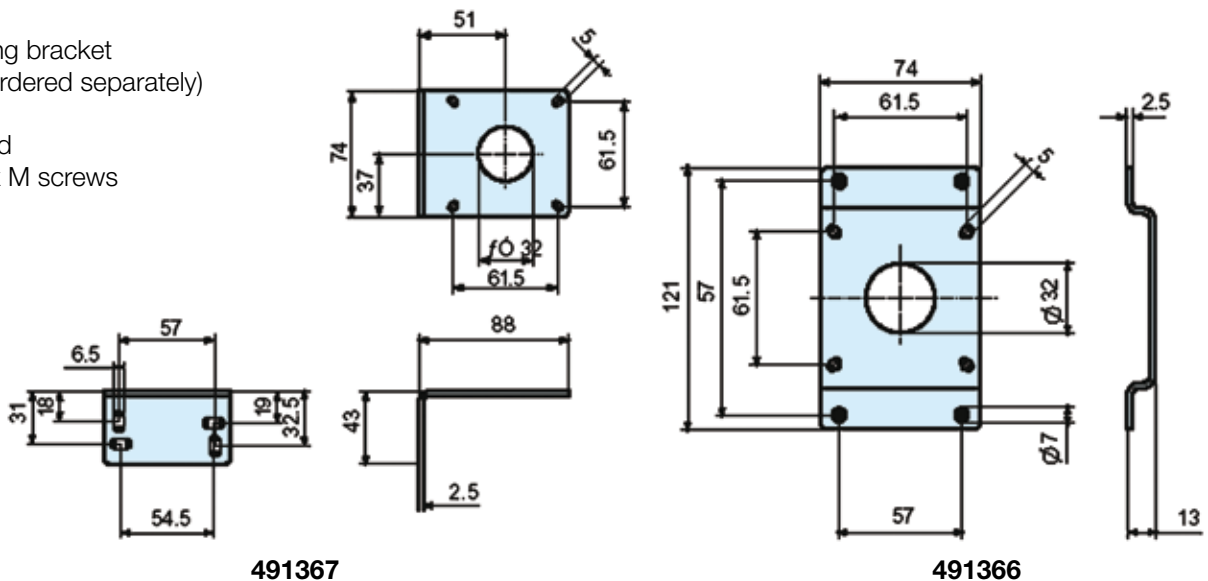
Dimensions



Accessories

Mounting bracket
 (to be ordered separately)

Supplied
 with 4 x M screws



EPP4 Pressure Regulator Basic

G 1/4" and G 1/2"

Order code	Pipe	Pressure Range (bar)		Control Signal (see options)
P4BG2001A001	G 1/4"	0	4 bar	4 - 20 mA
P4BG2001A002	G 1/4"	0	10 bar	0 - 10 V
P4BG2001A003	G 1/4"	0	10 bar	4 - 20 mA
P4BG2001A004	G 1/4"	0	6 bar	0 - 10 V
P4BG2001A005	G 1/4"	0	6 bar	4 - 20 mA
P4BG2001A006	G 1/4"	0	5 bar	0 - 10 V
P4BG2001A007	G 1/4"	0	5 bar	4 - 20 mA
P4BG2001A008	G 1/4"	0	7 bar	0 - 10 V
P4BG2001A009	G 1/4"	0	7 bar	4 - 20 mA
P4BG2003A002 *	G 1/4"	0	10 bar	0 - 10 V
P4BG2003A003 *	G 1/4"	0	10 bar	4 - 20 mA
P4BG4001A002	G 1/2"	0	10 bar	0 - 10 V
P4BG4001A003	G 1/2"	0	10 bar	4 - 20 mA
P4BG4001A004	G 1/2"	0	6 bar	0 - 10 V
P4BG4001A005	G 1/2"	0	6 bar	4 - 20 mA
P4BG4001A006	G 1/2"	0	5 bar	0 - 10 V
P4BG4001A007	G 1/2"	0	5 bar	4 - 20 mA
P4BG4001A008	G 1/2"	0	7 bar	0 - 10 V
P4BG4001A009	G 1/2"	0	7 bar	4 - 20 mA
P4BG4004A010 ***	G 1/2"	0	4 bar	0 - 10 V
P4BG4051A002 **	G 1/2"	0	10 bar	4 - 20 mA
P4BN2001A002	NPT 1/4"	0	10 bar	4 - 20 mA
P4BN2001A003	NPT 1/4"	0	10 bar	0 - 10 V
P4BN4001A002	NPT 1/2"	0	10 bar	4 - 20 mA
P4BN4001A003	NPT 1/2"	0	10 bar	0 - 10 V

* Integrated pilot exhaust

** O₂

*** External pressure supply



Lucifer® EPP4 Comfort 1/4" and 1/2"

References

Order code	Pipe	Pressure Range (bar)		Control Signal (see options)	Display
P4CG2001C001	G 1/4	0	10	0-10 V	-
P4CG2001C002	G 1/4	0	10	4-20 mA	-
P4CG2001C005	G 1/4	0	7	0-10 V	-
P4CG2001C006	G 1/4	0	7	4-20 mA	-
P4CG2002C001	G 1/4	0	10	0-10 V	included
P4CG2002C002	G 1/4	0	10	4-20 mA	included
P4CG2003C001 *	G 1/4	0	10	0-10 V	-
P4CG2003C002 *	G 1/4	0	10	4-20 mA	-
P4CG2002C007	G 1/4	0	7	0-10 V	included
P4CG2002C008	G 1/4	0	7	4-20 mA	included
P4CN2001C001	1/4 NPT	0	10	0-10 V	-
P4CN2001C002	1/4 NPT	0	10	4-20 mA	-
P4CN2002C001	1/4 NPT	0	10	0-10 V	included
P4CN2002C002	1/4 NPT	0	10	4-20 mA	included
P4CG4001C001	G 1/2	0	10	0-10 V	-
P4CG4001C002	G 1/2	0	10	4-20 mA	-
P4CG4001C005	G 1/2	0	7	0-10 V	-
P4CG4001C006	G 1/2	0	7	4-20 mA	-
P4CG4002C001	G 1/2	0	10	0-10 V	included
P4CG4002C002	G 1/2	0	10	4-20 mA	included
P4CG4002C005	G 1/2	0	7	0-10 V	included
P4CG4002C006	G 1/2	0	7	4-20 mA	included
P4CG4051C001 **	G 1/2	0	10	0-10 V	-
P4CG4051C002 **	G 1/2	0	10	4-20 mA	-
P4CN4001C001	1/2 NPT	0	10	0-10 V	-
P4CN4001C002	1/2 NPT	0	10	4-20 mA	-
P4CN4002C001	1/2 NPT	0	10	0-10 V	included
P4CN4002C002	1/2 NPT	0	10	4-20 mA	included

* Integrated pilot exhaust

** O2



Lucifer® EPP4 Comfort 1/2" High Pressure, 1" and 2" Technical Data

	Comfort 1/2" HP	Comfort 1"	Comfort 2"
Fluids:	Lubricated or non lubricated air and neutral gases - Recommended filtration: 50 µm		
Temperature range:	Ambient: 0°C to +50°C Fluid: 0°C to +50°C		
Inlet pressure range: The inlet pressure must always be at least 1 bar above the regulated pressure.	1 to 21 bar	1 to 21 bar	1 to 12 bar
Outlet pressure range:	0.05 to 20 bar	0.05 to 20 bar	0.05 to 10 bar
Hysteresis:	≤ 100 mbar if P inlet ≤ 10 bar ≤ 200 mbar if P inlet > 10 bar		
Air consumption at constant control signal:	0		
Supply voltage:	24V DC ± 15%		
Power consumption:	Max. 6 W with 24 V DC and constant changes of the control signal < 2 W without change of control signal		
Control signal:	Analog 0 - 10 V Analog 4 - 20 mA		
Outlet sensor signal:	Analog 0 - 10 V Standard for 0 - 10 bar; Adjustable Analog 4 - 20 mA Standard for 0 - 10 bar; Adjustable	Digital 0/24 V for alarm features: Adjustable pressure error (+/-) Adjustable delay ON Adjustable delay OFF Adjustable logic (+/-)	
Max. flow:	150 m³/h	1 000 m³/h	2 700 m³/h
Indicative response time:	With a volume of 330 cm³ at the outlet of the regulator		
Filling 2 to 8 bar: Emptying 8 to 2 bar:	120 msec 190 msc	250 msec 400 msc	250 msec 400 msc
Safety position:	In case of control signal failure or if it is less than 50 mV, the regulated pressure drops automatically to 0 bar atmospheric pressure (for pressure ranges from 0-10 bar, 100 mV for pressure range over 10 bar). In case of voltage supply failure, the regulated pressure will be kept constant.		
Electrical connection:	M12 - 8 pin; male connector power supply/control signal M12 - 5 pin; male connector communication		
Life expectancy:	> 20 Million changes of control signal steps		
Mounting position:	Indifferent (recommended position: upright; electronic part on top)		
Resistance to vibrations:	30 g in all directions		
Degree of protection:	IP 65		
Assembly:	Silicone free		
Electromagnetic compatibility: In accordance with:	EN 61000-6-1: 2001 EN 61000-6-2: 2001 EN 61000-6-3: 2001 + A11 2004 edition (01/07/07) EN 61000-6-4: 2001		
Installation and setting instructions:	See our "408 193" and appendix supplied with the product.		

Note: Parker reserves the right to change specifications without notification.

Lucifer® EPP4 Comfort Options

Calys Software

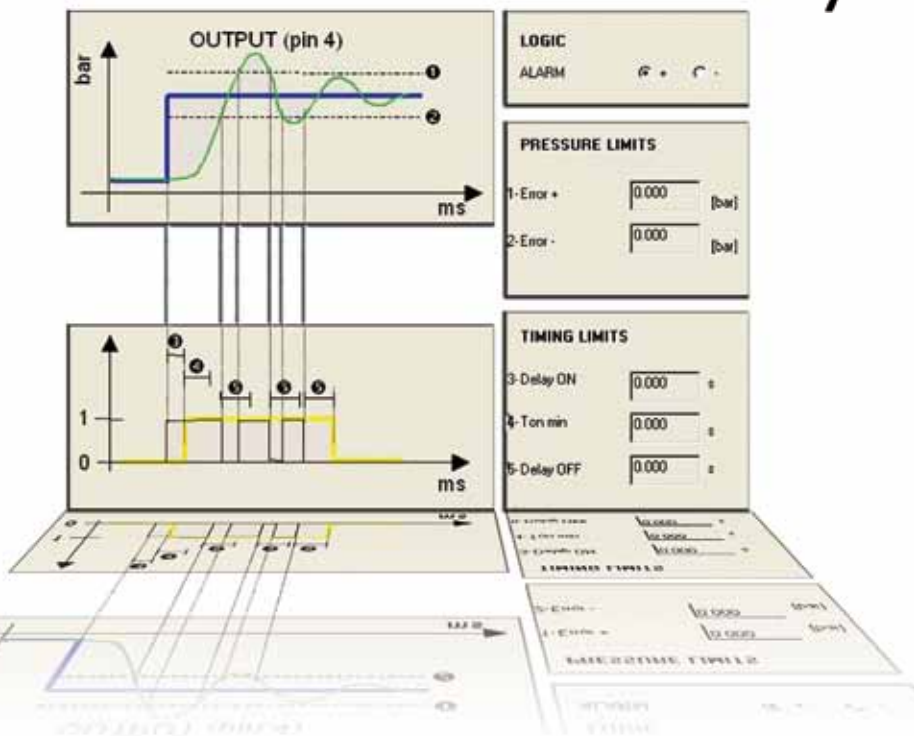
Calys is a unique software in house developed to configurate all the parameters of the EPP4 Comfort range. Calys is an option of the EPP4. A specific cable is needed for the communication between the EPP4 and a PC.



calys

Calys offers the following features:

- Live monitoring (control signal, regulated pressure, supply voltage,...)
- Recording of the main parameters (control signal, regulated pressure, supply voltage,...) in an Excel file
- Free calibration for the inputs and outputs
- Adjustable alarm (positive-negative, pressure limits, delays)
- Configuration files easy to duplicate
- Complete and interactive help file
- Data in 4 different pressure units
- Menus in 4 languages (English, German, French and Italian)



Specific communication cable PC-EPP4 with RS232 and USB connection

Order Reference 496449

To download free Calys software click on www.parker.com/FCDE/Support

Lucifer® EPP4 Comfort 1/2" HP, 1" and 2"

References

Order code	Pipe	Max inlet pressure (bar)	Pressure range (bar)	Control signal (see options)
P4CG4101D001	G1/2	15	0 12	0-10 V
P4CG4201D005	G1/2	21	0 16	0-10 V
P4CG4201D003	G1/2	21	0 20	0-10 V
P4CG4201D004	G1/2	21	0 20	4-20 mA
P4CG6101C009	G1	12	0 3.5	4-20 mA
P4CG6101C011	G1	12	0 5.0	0-10 V
P4CG6101C010	G1	12	0 6.0	4-20 mA
P4CG6101C001	G1	12	0 10	0-10 V
P4CG6101C002	G1	12	0 10	4-20 mA
P4CG6201D001	G1	21	0 12	-
P4CG6201D003	G1	21	0 20	0-10 V
P4CG9101C012	G2	12	0 4.0	4-20 mA
P4CG9101C010	G2	12	0 6.0	4-20 mA
P4CG9101C001	G2	12	0 10	0-10 V
P4CG9101C002	G2	12	0 10	4-20 mA

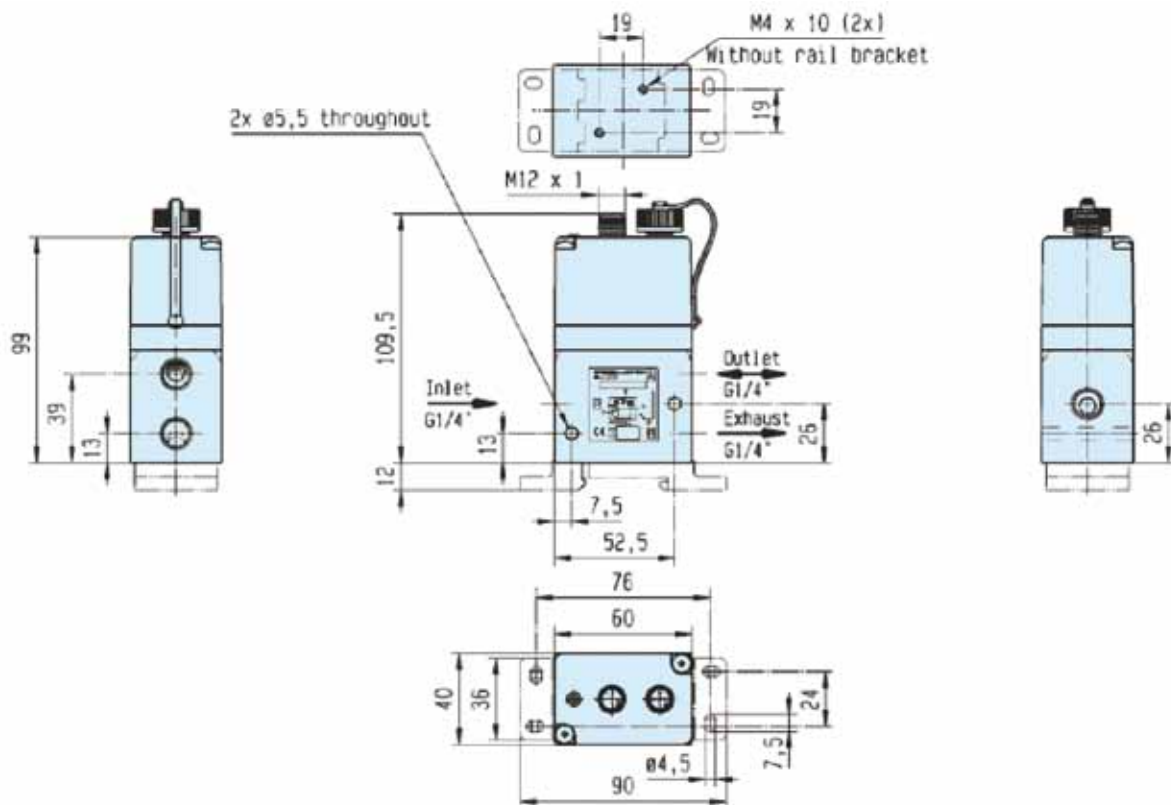
Other specific settings or specialties are available, please contact us.



Lucifer® EPP4 Comfort Range 1/4"

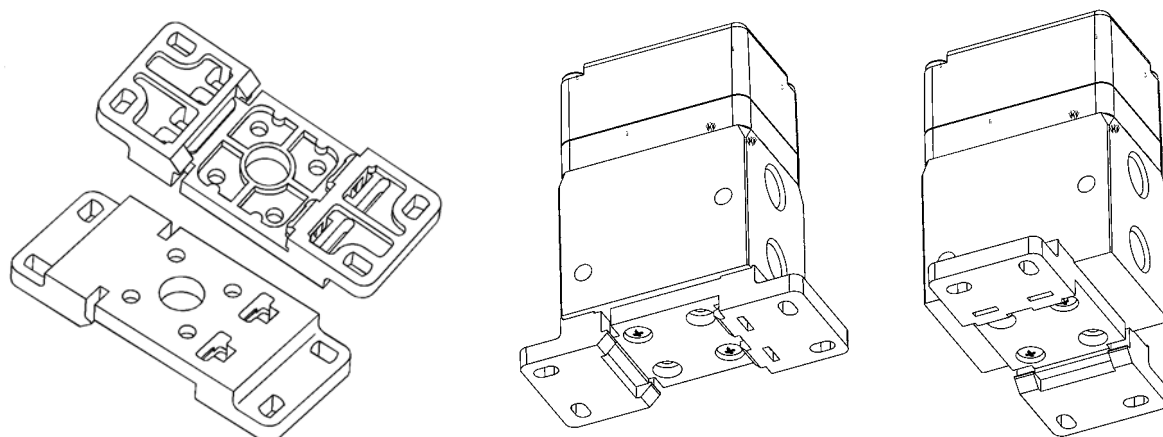


Dimensions



Accessories

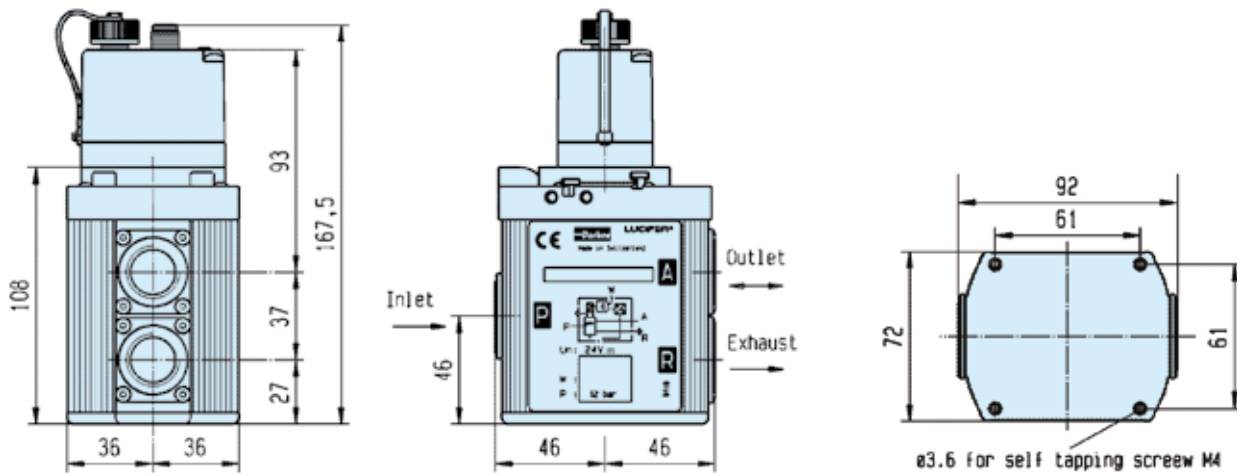
Mounting bracket
 (supplied as a standard with each Lucifer® EPP4 1/4")



Lucifer® EPP4 Comfort Range 1/2"

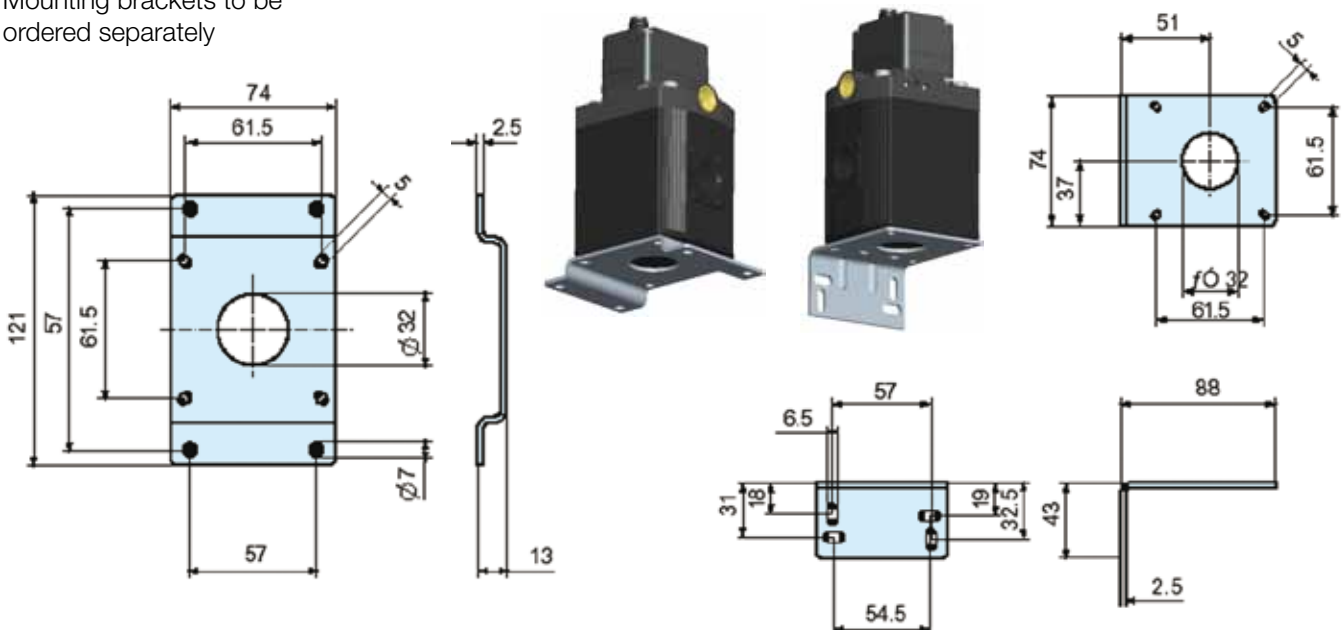


Dimensions



Accessories

Mounting brackets to be ordered separately



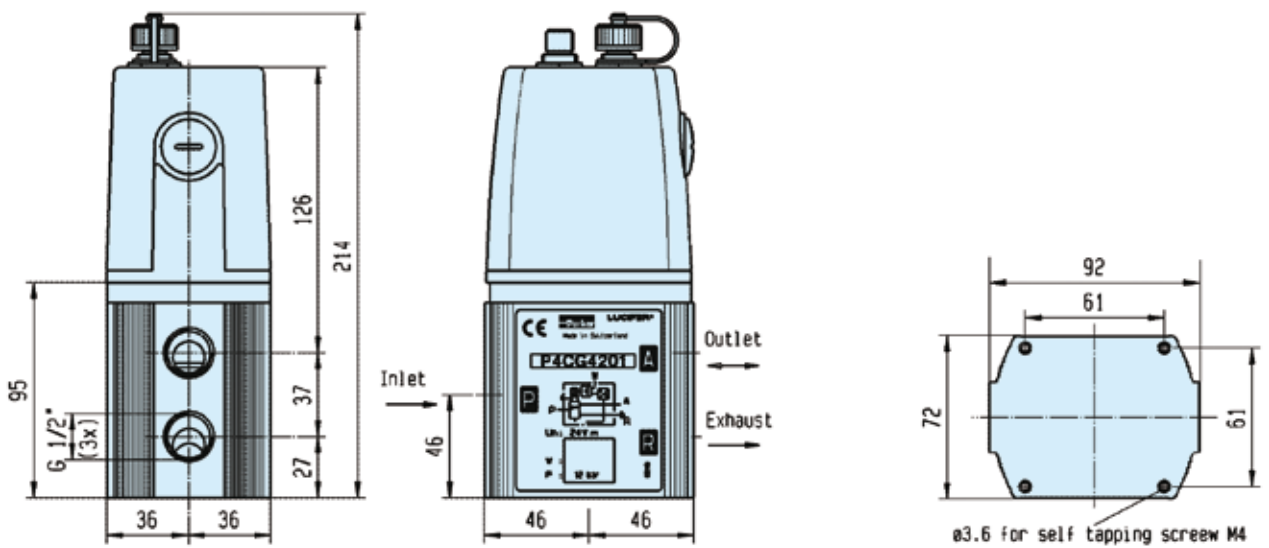
Order reference 491366

Order reference 491367

Lucifer® EPP4 Comfort Range 1/2"
High Pressure 21 bar

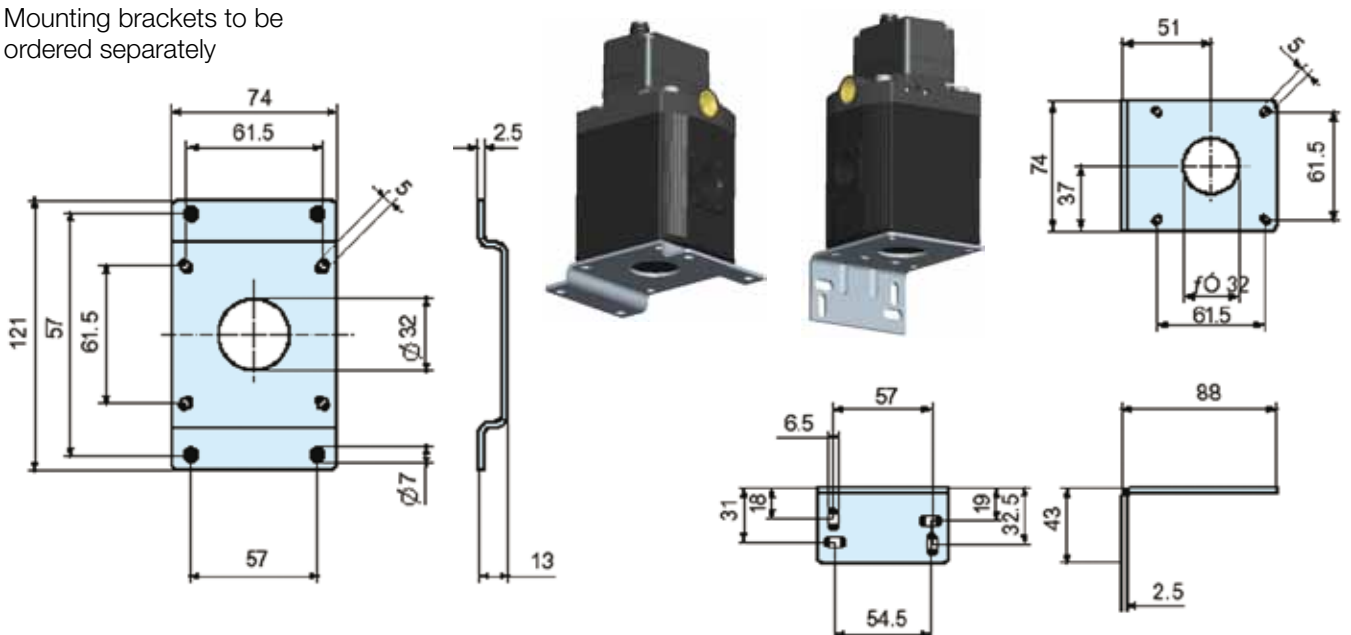


Dimensions



Accessories

Mounting brackets to be ordered separately



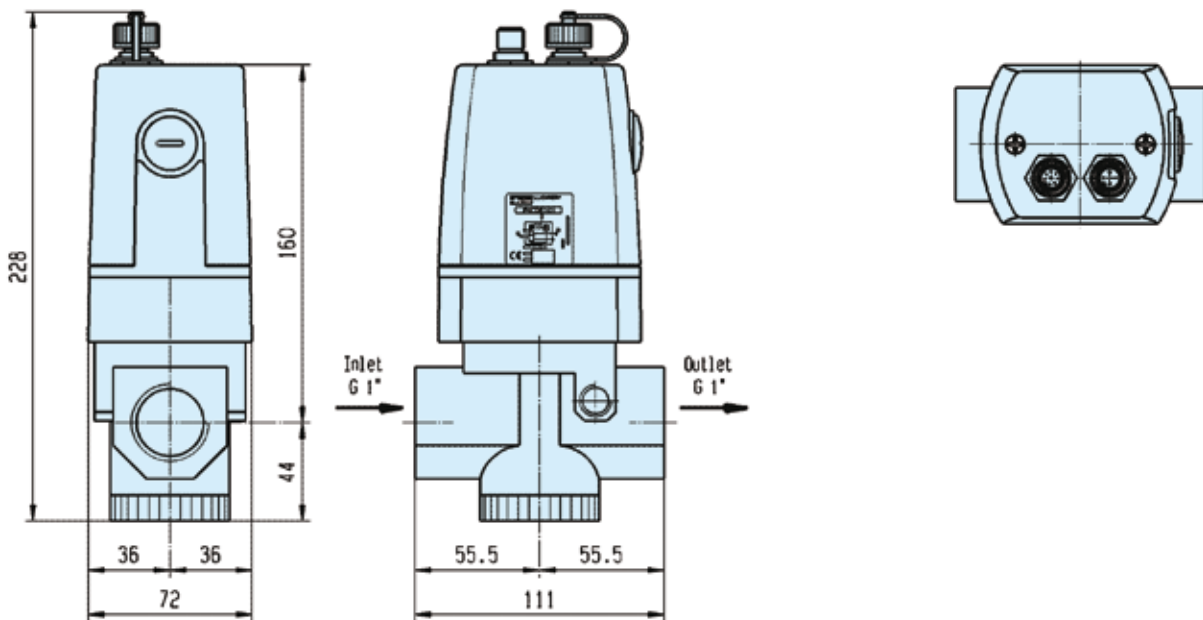
Order reference 491366

Order reference 491367

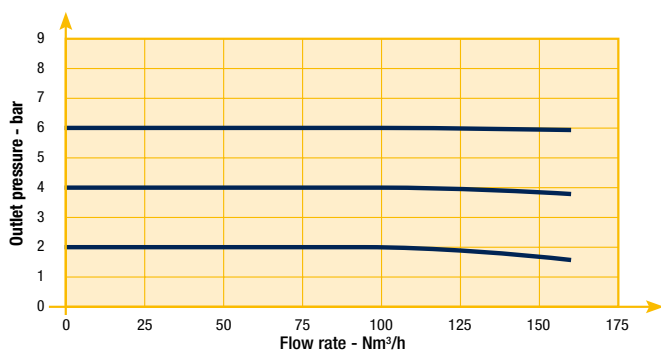
Lucifer® EPP4 Comfort Range 1"



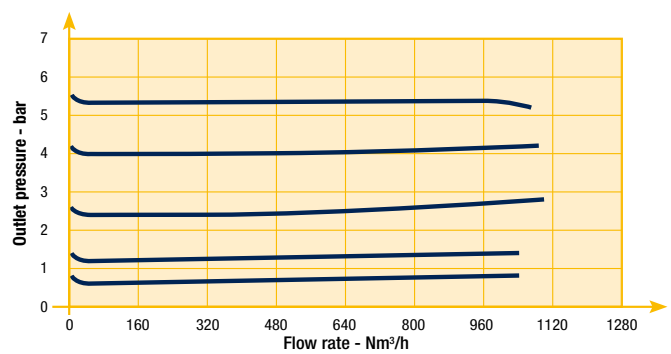
Dimensions



Flow Curve 1/2"



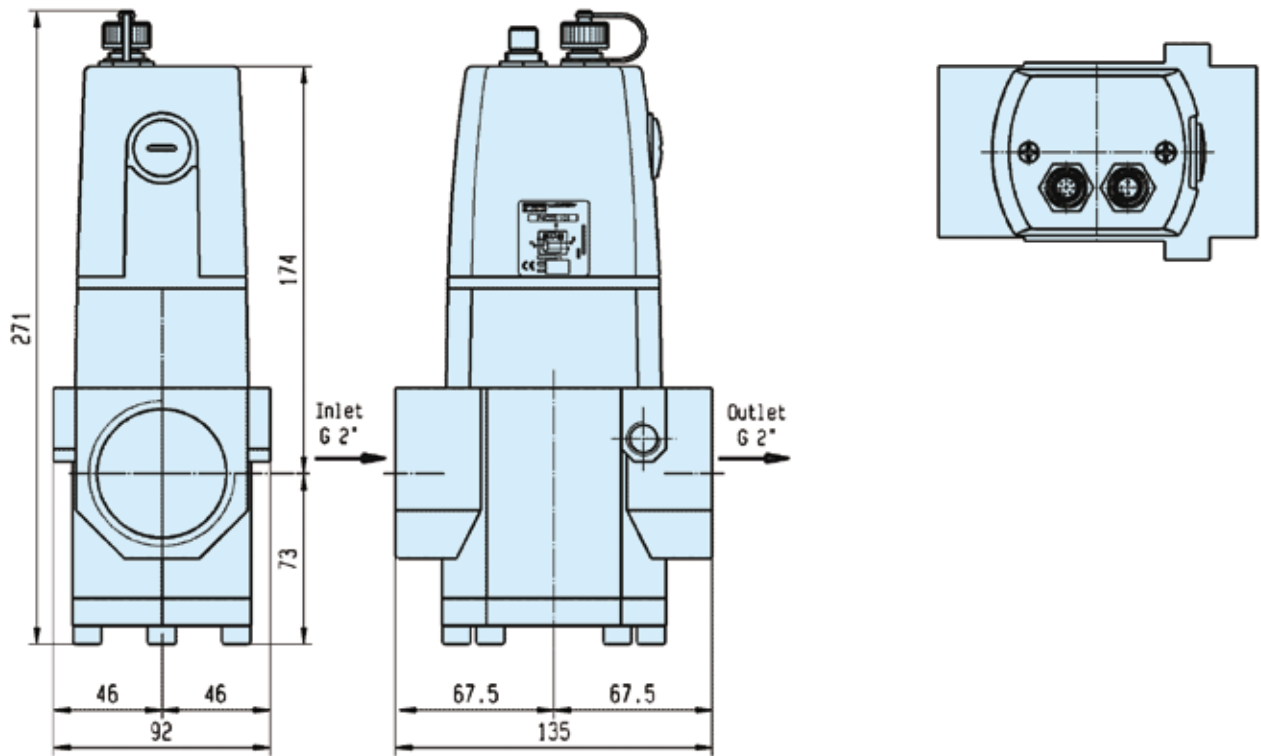
Flow Curve 1"



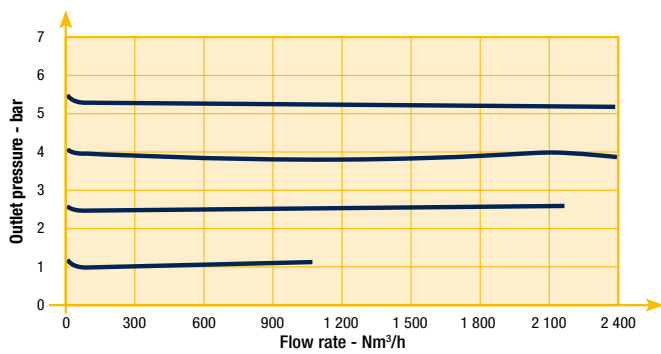
Lucifer® EPP4 Comfort Range 2"



Dimensions



Flow Curve 2"

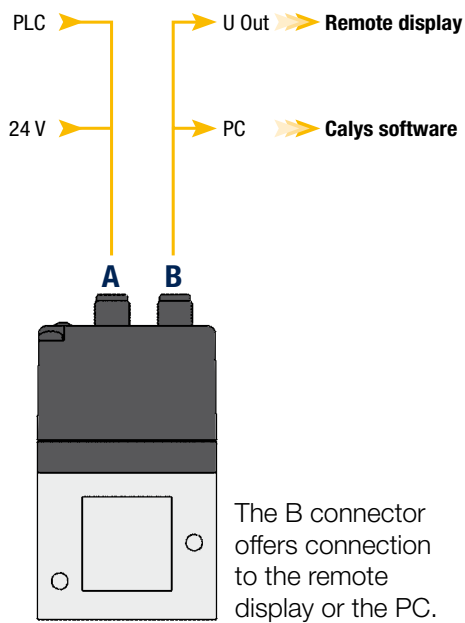


Lucifer® EPP4 Comfort Options

Additional Features

The EPP4 Comfort offers two main options - a remote display and a software to easily set the regulator's parameters.

These are the key feature options for a comfortable use.



- A remote display connected to the pressure regulator offers flexible monitoring.
- A panel mounting kit is available to install the remote display.
- Calys is an easy-to-use software package designed to allow the user to match their regulators performance directly to their specific application.
- A power supply and control signal cable.

Lucifer® EPP4 Comfort Options

Remote Display

This option includes the Remote Display and 1.5 meter connecting cable. Connected to the pressure regulator, it offers flexible monitoring.

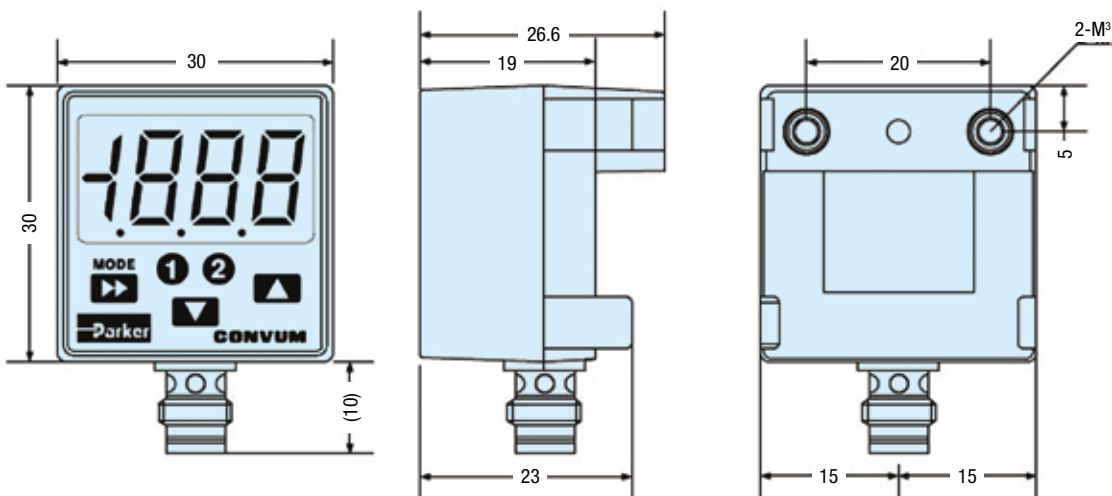
Compact and highly readable remote LED display:

- Bar and PSI scales
- Security lock
- 1.5 m cable
- Mounting brackets



**Order the Remote Display
under reference 496190**

Panel Mounting Kit



**Order the Panel Mounting Kit
under reference 496610**

Highly accurate units, suitable for applications such as instrumentation where precision regulation is required.



- High repeatability
- High relief capacity on R220 model
- High flow capacity on R230 model



Operating information

Max operating pressure	10 bar
Max operating temperature	66°C
Repeatability:	R210 model 0.3 mbar
	R220 model 0.3 mbar
	R230 model 0.6 mbar

For more information see www.parker.com/euro_pneumatic

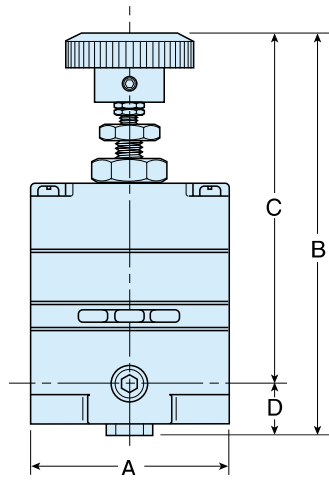
	Port size	Reduced Pressure range	Flow l/min	Relief capacity l/min	Order code
	G1/4	0.13 - 2.7	396	57	R210G02A
	G1/4	0.13 - 8.1	396	57	R210G02C
	G1/4	0.13 - 8.1	396	282	R220G02C
	G1/4	0 - 0.13	2280	114	R230G02E
	G1/4	0 - 2	2280	114	R230G02B
	G1/4	0.13 - 4	2280	114	R230G02C
	G1/4	0.13 - 10	2280	114	R230G02D

Mounting brackets

Series	Order code
R210 / R220	446-707-045
R230	446-707-025

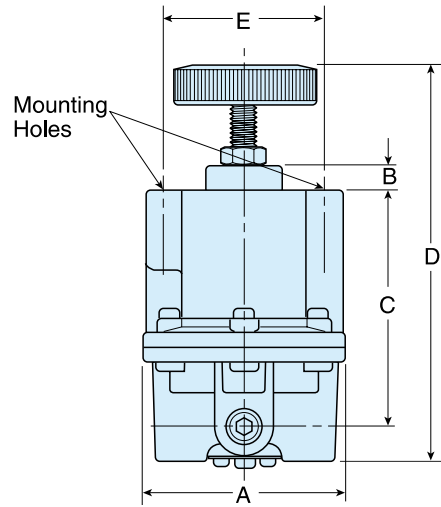
Dimensions (mm)

R210 / 220 High Precision Regulator



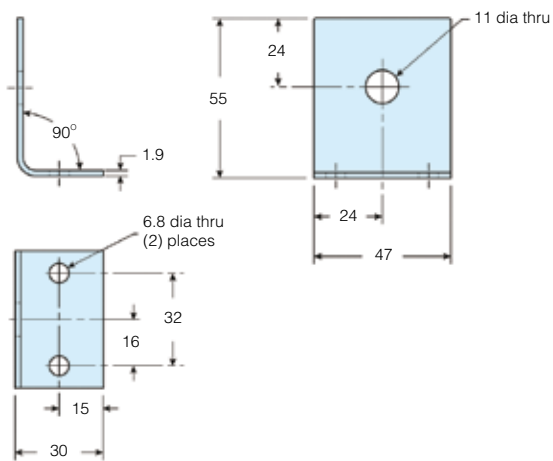
A	C	D	E
52mm	110mm	97mm	13.5mm

R230 High Flow Precision Regulator

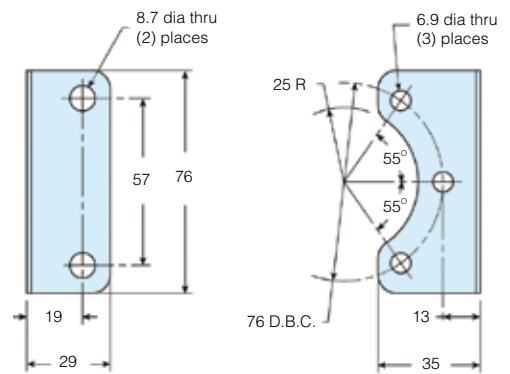


A	B	C	D	E
76mm	10mm	86mm	154mm	57mm

Mounting bracket - 446-707-045



Mounting bracket - 446-707-025



- Compact body ported units
- Port sizes G1/8 and G1/4
- Unique deflector plate ensuring maximum water and particulate removal
- Solid control piston with lip seal for extended life.
- Proportional oil delivery over a wide range of air flows.



Operating information

Working pressure:	Max 10 bar
Working temperature:	0 °C to +52 °C

Flow characteristics

Flow	Filter	11 l/s
	Regulator	9,3 l/s
	Filter Regulator	9,3 l/s
	Lubricator	10 l/s

For more information see www.parker.com/euro_pneumatic

Filters - 5 micron element, transparent bowl

Port size	Description	Order Code
G1/8	Manual drain	14F01BB1
G1/8	Auto drain	14F05BB1
G1/4	Manual drain	14F11BB1
G1/4	Auto drain	14F15BB1
	Mounting bracket	PS417BP

Coalescing Filters - 0.01 micron element

Port size	Description	Order Code
Poly bowl		
G1/8	Manual drain	10F01ED1
G1/8	Auto drain	10F05ED1
G1/4	Manual drain	10F11ED1
G1/4	Auto drain	10F15ED1
	Mounting bracket	PS417BP

Regulators - relieving type - non relieving options available

Port size	Description	Order Code
G1/8	2 bar	14R010FC1
G1/8	4 bar	14R011FC1
G1/8	8 bar	14R013FC1
G1/4	2 bar	14R110FC1
G1/4	4 bar	14R111FC1
G1/4	8 bar	14R113FC1
	Mounting bracket (Includes panel mounting nut)	PS417BP

Filter/Regulators

- transparent bowl - 2 and 4 bar and non relieving options available

Port size	Description	Order Code
G1/8	2 bar, manual drain	14E01B10FC1
G1/8	2 bar, auto drain	14E05B10FC1
G1/4	2 bar, manual drain	14E11B10FC1
G1/4	2 bar, auto drain	14E15B10FC1
G1/8	4 bar, manual drain	14E01B11FC1
G1/8	4 bar, auto drain	14E05B11FC1
G1/4	4 bar, manual drain	14E11B11FC1
G1/4	4 bar, auto drain	14E15B11FC1
G1/8	8 bar, manual drain	14E01B13FC1
G1/8	8 bar, auto drain	14E05B13FC1
G1/4	8 bar, manual drain	14E11B13FC1
G1/4	8 bar, auto drain	14E15B13FC1
	Mounting bracket (Includes panel mounting nut)	PS417BP

Lubricators - transparent bowl

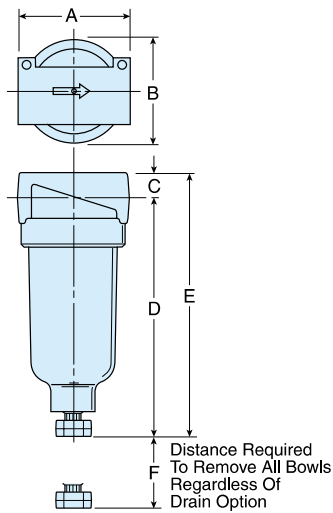
Port size	Order Code
G1/8	04L00GB1
G1/4	04L10GB1
	Mounting bracket
	PS419

Pressure Gauges

	Order Code
0 - 2 bar	P3D-KAB1AYN
0 - 4 bar	P3D-KAB1ALN
0 - 8 bar	P3D-KAB1ANN

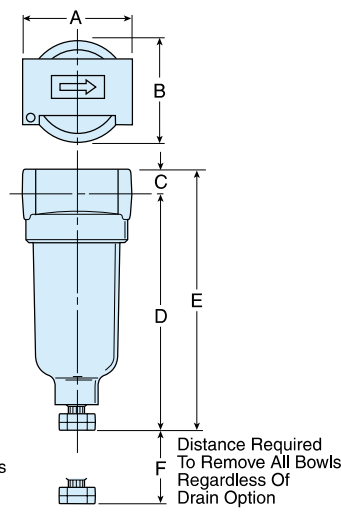
Dimensions (mm)

Filters



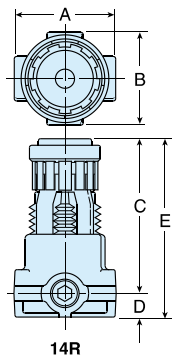
A	B	C	D	D ⁺	E	E ⁺	F
43	39	10	97	99	107	108	41

Coalescing Filters



A	B	C	D	D ⁺	E	E ⁺	F
43	39,6	10	97	93	107	103	41

Regulators

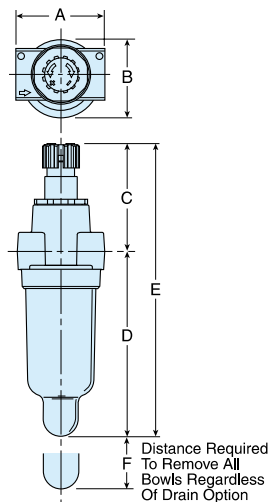


14R	A	B	C	D	E
	42	40	63,5	10	731

14R**L*	A	B	C	D	E
	42	40	57,9	10	68

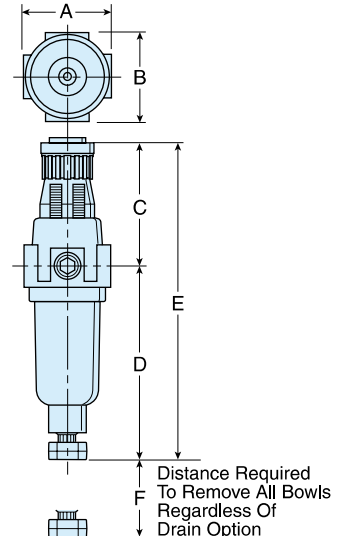
14RM	A	B	C	D	E	F	G	H	J
	38	38	60	13	73	30	15	8	18

Lubricators



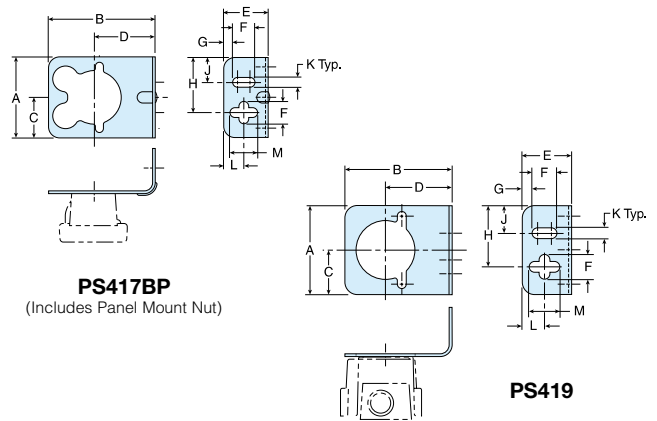
A	B	C	D	D ⁺	E	E ⁺	F
44	40	55	92	96	147	151	41

Filter/Regulators



A	B	C	D	D ⁺	E	E ⁺	F
41	40	61	96	92	158	154	41

Mounting Bracket Kits



PS417BP - 10F, 14F, 14R, 14E

A	B	C	D	E	F	G	H	J	K	L	M
46	60	23	34	25	13	5	31	14	6	11	16

PS419 - 04L

A	B	C	D	E	F	G	H	J	K	L	M
46	55	23	34	25	13	5	31	14	6	11	16

Service kits

Description	Order Code
5 micron particulate element	PS403P
0.01 micron coalescing element	PS446P
Poly bowl with manual drain	PS404P
Poly bowl with pulse drain	PS408BP
Lubricator bowl	PS421P
Regulator	
Relieving type	PS422P
Non-relieving type	PS428P

The range of Stainless Steel FRLs are ideal for use in the food industry, the petrochemical or process industries or any application in a particularly harsh or aggressive environment.

- Suitable for Marine & Offshore applications
- Chemical / Petroleum and process industries
- Coalescing filters are designed for removing oil and water aerosols down to 0.01µ
- Suitable for food industry applications

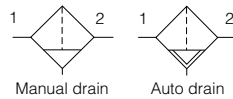


Operating information

Max operating pressure	20 bar
	12 bar when fitted with auto-drain
Max operating temperature	Regulator 65°C
	Filter + Regulator 80°C,
	50°C when fitted with auto-drain

For more information see www.parker.com/euro_pneumatic

Particulate Filter



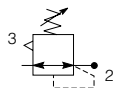
Port size	Flow l/min @ 7 bar	Filter element	Order code with manual drain	Order code with auto drain
G1/4	660	20µ	PF504G02DHSS	
G1/2	1800	40µ	PF10G04DJSS	PF10G04DJRSS

* For 5µ filter element substitute **H** or **J** with **G**

Coalescing Filter

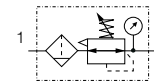
Port size	Flow l/min @ 7 bar	Filter element	Order code with manual drain	Order code with auto drain
G1/4	240	0.3µ	PF501G02DHSS	
G1/2	480	0.01µ	PF11G04DJSS	PF11G04DJRSS

Regulator



Port size	Flow l/min @ 7 bar	Order code fitted with 0-8.5 bar spring
G1/4 Plastic bonnet/knob Full S/S version	450	PR364G02CSS PR354G02CSS
G1/2 Plastic bonnet/knob Full S/S version	2820	PR10G04CSS PR11G04CSS

Filter/Regulator



Port size	Flow l/min @ 7 bar	Order code fitted with 0-8.5 bar spring
G1/4 Plastic bonnet/knob Full S/S version	450	PB548G02DHCSS PB558G02DHCSS
G1/2 Plastic bonnet/knob Full S/S version	1800	PB11G04DJCSS PB12G04DJCSS

Panel mounting nut for G1/4: **PR05X51SS**
G1/2: **PR10X51SS**

Lubricator



Port size	Flow l/min @ 7 bar	Order code
G1/2	3000	PL10G04DSS

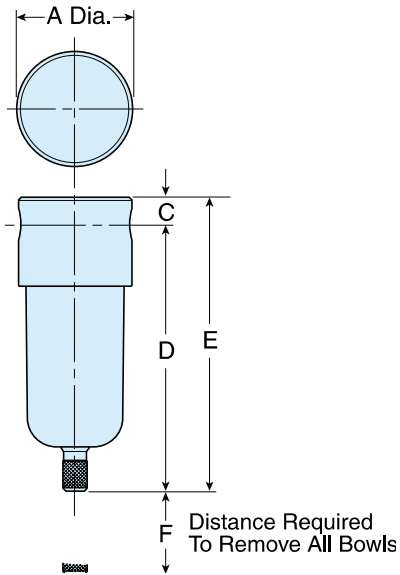
Connectors

Port size	Order code
G1/4	AC-2SS
G1/2	AC-4SS

Stainless steel pressure gauge M1/4G40S-10 (0 to 10 bar)

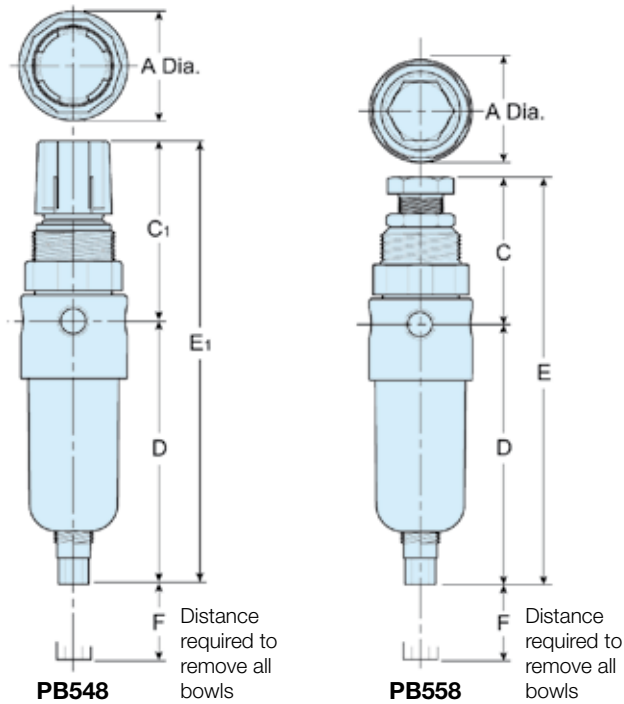
Dimensions (mm) - 1/4"

Filters
Coalescing Filters



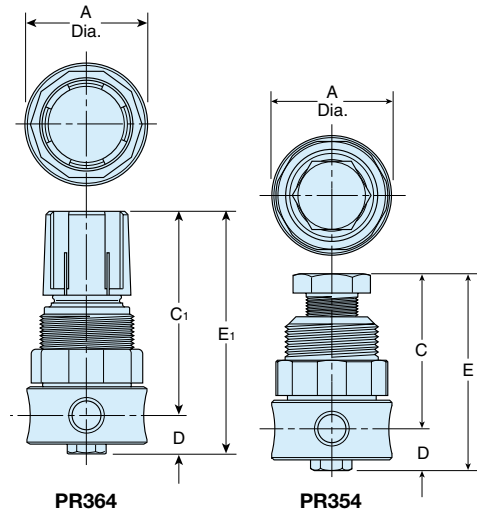
A	C	D	E	F
40mm	8mm	94mm	102mm	40mm

Filter/Regulators



A	C	C ₁	D	E	E ₁	F
40mm	55mm	67mm	92mm	78mm	147mm	40mm

Regulators



A	C	C ₁	D	E	E ₁
40mm	51mm	65mm	13mm	64mm	78mm

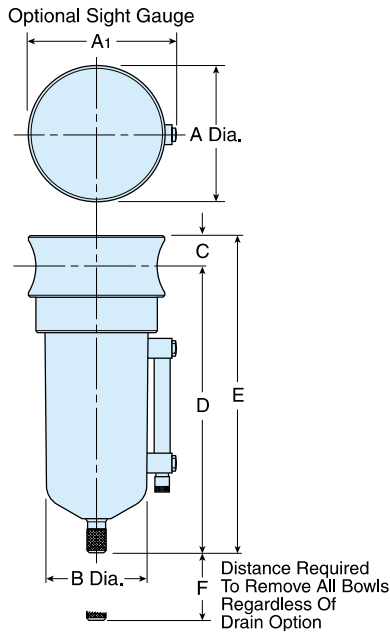
Service kits

Port size	Description	Order Code
Filter		
1/4	20 micron particulate element	EK504Y
1/4	5 micron particulate element	EK504VY
1/2	40 micron particulate element	EK55J
1/2	5 micron particulate element	EK55G
Coalescing Filter		
1/4	0.3 micron coalescing element	EKF501H
1/2	0.01 micron coalescing element	EKF71
Regulator		
1/4	Relieving type	RKR364YSS
1/4	Non-relieving type	RKR36KYSS
1/2	Relieving type	RKR10YSS
1/2	Non-relieving type	RKR10KYSS
Filter/Regulator		
1/4	20 micron particulate element	EK504Y
1/4	5 micron particulate element	EK504VY
1/2	40 micron particulate element	EKF10Y
1/2	5 micron particulate element	EKF10VY
Lubricator		
	Sight dome kit	RKL10SS

Dimensions (mm) - 1/2"

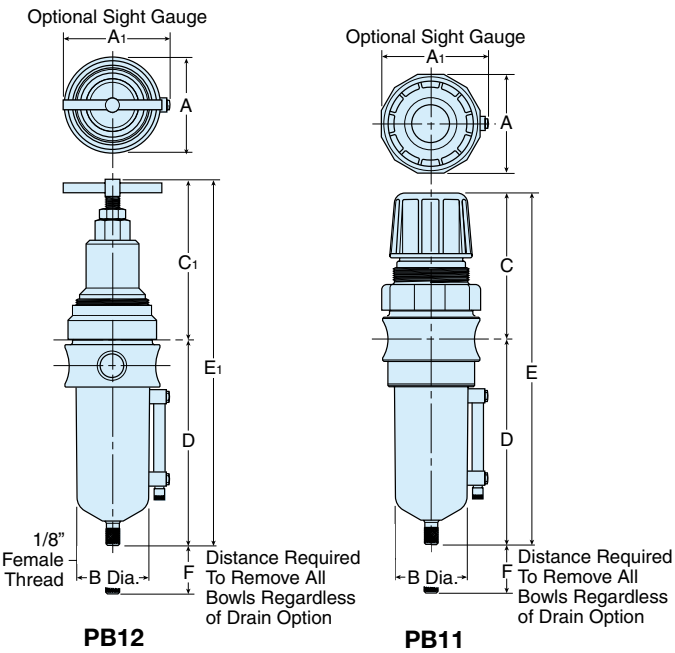
Filters

Coalescing Filters



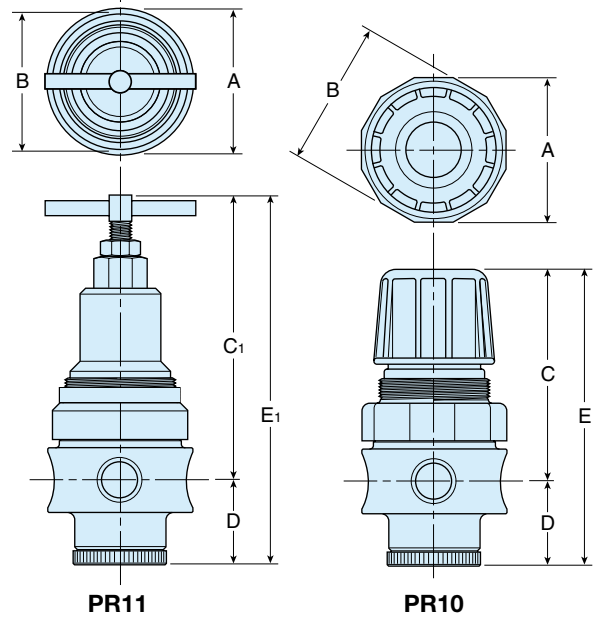
A	A ₁	B	C	D	E	F
60mm	64mm	44mm	14mm	127mm	141mm	54mm

Filter/Regulators



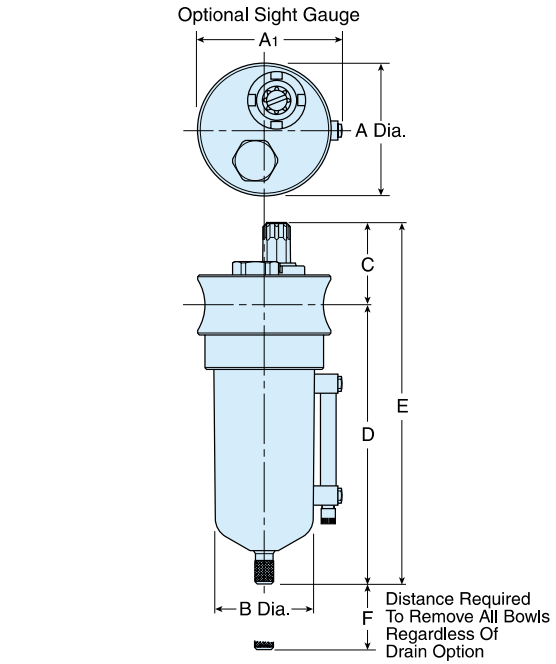
A	A ₁	B	C	C ₁	D	E	E ₁	F
60mm	64mm	44mm	91mm	119mm	127mm	218mm	246mm	54mm

Regulators



A	B	C	C ₁	D	E	E ₁
60mm	62mm	91mm	119mm	35mm	126mm	154mm

Lubricators



A	A ₁	B	C	D	E	F
60mm	64mm	44mm	46mm	127mm	173mm	89mm

High Efficiency 0.01 µm Filtration

Filtration Grade

Filtration type	Coalescing
Particle removal (inc water & oil aerosols)	Down to 0.01 micron
Max remaining oil content at 21°C	0.01 mg/m ³ 0.01 ppm(w)
Filter efficiency	99.9999%
Test methods used	ISO 8573.2 ISO 8573.4 ISO 12500-1
ISO 12500-1 Inlet Challenge concentration	10 mg/m ³
Initial dry differential pressure	<140 mbar (2psi)
Initial saturated differential pressure	<200 mbar (3psi)
Change element every	12 months
Precede with filtration grade	1 micron Moduflex Coalescer



Product selection

Stated flows are for operation at 7 bar (g) with reference to 20°C, 1 bar (a), 0% relative water vapour pressure. For flows at other pressures apply the correction factors shown.

Port Size BSPT	Part Number	dm ³ /s	m ³ /hr	cfm	0.01 µm Replacement Element Kit
1/4"	P3TFA22CAAN	10	36	21	P3TKA00ESCA
3/8"	P3TFA23CBAN	20	72	42	P3TKA00ESCB
1/2"	P3TFA24CCAN	30	108	64	P3TKA00ESCC
3/4"	P3TFA26CDAN	60	216	127	P3TKA00ESCD
1 "	P3TFA28CEAN	110	396	233	P3TKA00ESCE
1.1/4"	P3TFA2ACEAN	110	396	233	P3TKA00ESCE
1.1/2"	P3TFA2BCFAN	160	576	339	P3TKA00ESCF
1.1/2"	P3TFA2BCGAN	220	792	466	P3TKA00ESCG
2"	P3TFA2CCHAN	330	1188	699	P3TKA00ESCH
2.1/2"	P3TFA2DCJAN	430	1548	911	P3TKA00ESCJ
3"	P3TFA2ECJAN	430	1548	911	P3TKA00ESCJ
2.1/2"	P3TFA2DCKAN	620	2232	1314	P3TKA00ESCK
3"	P3TFA2ECKAN	620	2232	1314	P3TKA00ESCK

Correction factors

Line pressure bar g	psi g	Correction factor
1	15	0.38
2	29	0.53
3	44	0.65
4	58	0.76
5	73	0.85
6	87	0.93
7	100	1.00
8	116	1.07
9	131	1.13
10	145	1.19
11	160	1.25
12	174	1.31
13	189	1.36
14	203	1.41
15	218	1.46
16	232	1.51

To find the correction factor for 8.5 bar g (122psi g) =

$$\sqrt{\frac{\text{System Operating Pressure}}{\text{Nominal Pressure}}} = \sqrt{\frac{8.5 \text{ bar g}}{7 \text{ bar g}}} = 1.10$$

Filter selection example

Selecting a filter model to match a system flow rate and pressure.

Example: System flow 1050 m³/hr at a pressure of 8.5 bar g

1. Obtain pressure correction factor from table or calculate factor using method shown. Correction factor for 8.5 bar g = 1.10
2. Divide system flow by correction factor to give equivalent flow rate at 7 bar g 1050m³/hr ÷ 1.10 = 955 m³/hr (at 7 bar g)
3. Select a filter model from the above table with a flow rate above or equal to 955 m³/hr. Filter model selected : P3TFA2CCHAN
4. Select pipe connection & Thread type System uses 2" piping and BSP threads: Model P3TFA2CCHAN

High Efficiency 0.01 µm Filtration

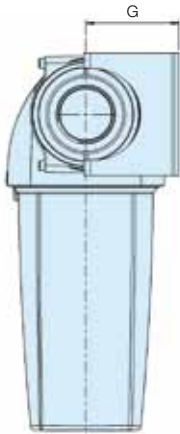
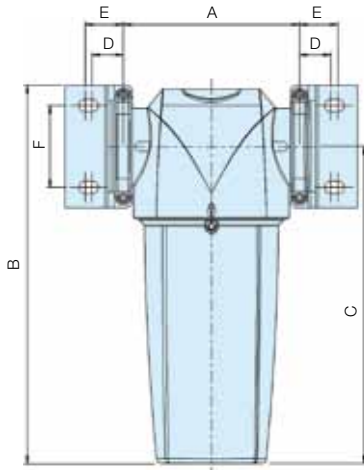
Technical data

Filter Grade	Drain type	Max operating pressure		Max recommended operating temp.		Min recommended operating temp.	
		bar g	psi g	80°C	176°F	1.5°C	35°F
0.01 micron	Auto	16	232	80°C	176°F	1.5°C	35°F

Weights and dimensions

Optional Accessories

Port Size BSPT	Part Number	A		B		C		D		E		F		G		Weight		Modular Connection Kit	Wall Mounting Bracket Kit
		mm	ins	mm	ins	mm	ins	mm	ins	mm	ins	mm	ins	mm	ins	kg	lbs		
1/4"	P3TFA22CAAN	76.0	3.0	181.5	7.2	153.0	6.0	18.0	0.71	24.5	0.96	30.0	1.18	52.0	2.05	0.4	0.9	P3TKA00CBA	P3TKA00MWA
3/8"	P3TFA23CBAN	97.5	3.8	235.0	9.3	201.0	7.9	20.5	0.81	25.5	1.00	40.0	1.57	60.0	2.36	1.0	2.2	P3TKA00CBB	P3TKA00MWB
1/2"	P3TFA24CCAN	97.5	3.8	235.0	9.3	201.0	7.9	20.5	0.81	25.5	1.00	40.0	1.57	60.0	2.36	1.0	2.2	P3TKA00CBB	P3TKA00MWB
3/4"	P3TFA26CDAN	129.0	5.1	275.0	10.8	232.5	9.2	23.0	0.91	28.0	1.10	60.0	2.36	68.0	2.68	2.2	4.8	P3TKA00CBD	P3TKA00MWD
1"	P3TFA28CEAN	129.0	5.1	364.5	14.3	322.0	12.7	23.0	0.91	28.0	1.10	60.0	2.36	68.0	2.68	2.6	5.7	P3TKA00CBD	P3TKA00MWD
1.1/4"	P3TFA2ACEAN	129.0	5.1	364.5	14.3	322.0	12.7	23.0	0.91	28.0	1.10	60.0	2.36	68.0	2.68	2.6	5.7	P3TKA00CBD	P3TKA00MWD
1.1/2"	P3TFA2BCFAN	170.0	6.7	432.5	17.0	382.5	15.1	32.0	1.26	39.0	1.54	84.0	3.31	92.0	3.62	4.5	9.9	P3TKA00CBF	P3TKA00MWF
1.1/2"	P3TFA2BCGAN	170.0	6.7	524.5	20.6	474.5	18.7	32.0	1.26	39.0	1.54	84.0	3.31	92.0	3.62	5.3	11.6	P3TKA00CBF	P3TKA00MWF
2"	P3TFA2CCHAN	170.0	6.7	524.5	20.6	474.5	18.7	32.0	1.26	39.0	1.54	84.0	3.31	92.0	3.62	5.3	11.6	P3TKA00CBF	P3TKA00MWF
2.1/2"	P3TFA2DCJAN	205.0	8.1	641.5	25.3	581.5	22.9	35.5	1.40	42.5	1.67	100.0	3.94	135.0	5.31	10.0	22.0	P3TKA00CBJ	P3TKA00MWJ
3"	P3TFA2ECJAN	205.0	8.1	641.5	25.3	581.5	22.9	35.5	1.40	42.5	1.67	100.0	3.94	135.0	5.31	10.0	22.0	P3TKA00CBJ	P3TKA00MWJ
2.1/2"	P3TFA2DCKAN	205.0	8.1	832.0	32.8	772.0	30.4	35.5	1.40	42.5	1.67	100.0	3.94	135.0	5.31	12.0	26.4	P3TKA00CBJ	P3TKA00MWJ
3"	P3TFA2ECKAN	205.0	8.1	832.0	32.8	772.0	30.4	35.5	1.40	42.5	1.67	100.0	3.94	135.0	5.31	12.0	26.4	P3TKA00CBJ	P3TKA00MWJ



DPI Kit
P3TKA00RQ
Incident Monitor

Used to indicate premature high differential pressure. Indicator can be retrofitted to existing housings without depressurising the system.



Wall Mounting Bracket Kit
 Mounting brackets provide additional support to filters installed in flexible piping systems or OEM equipment.



Modular Connection Kit
 Fixing clamp allows quick and simple connection of multiple filter housings.

Drain Kits

Auto drain	P3TKA00DA
Manual drain	P3TKA00DM

1 µm Filtration

Filtration Grade

Filtration type	Coalescing
Particle removal (inc water & oil aerosols)	Down to 1 micron
Max remaining oil content at 21°C	0.06 mg/m ³ 0.05 ppm(w)
Filter efficiency	99.925%
Test methods used	ISO 8573.2 ISO 8573.4 ISO 12500-1
ISO 12500-1 Inlet Challenge concentration	40 mg/m ³
Initial dry differential pressure	<70 mbar (2psi)
Initial saturated differential pressure	<140 mbar (3psi)
Change element every	12 months
Precede with filtration grade	1 micron Moduflex Coalescer



Product selection

Stated flows are for operation at 7 bar (g) with reference to 20°C, 1 bar (a), 0% relative water vapour pressure. For flows at other pressures apply the correction factors shown.

Port Size BSPT	Part Number	dm ³ /s	m ³ /hr	cfm	1 µm Replacement Element Kit
1/4"	P3TFA229AAN	10	36	21	P3TKA00ES9A
3/8"	P3TFA239BAN	20	72	42	P3TKA00ES9B
1/2"	P3TFA249CAN	30	108	64	P3TKA00ES9C
3/4"	P3TFA269DAN	60	216	127	P3TKA00ES9D
1 "	P3TFA289EAN	110	396	233	P3TKA00ES9E
1.1/4"	P3TFA2A9EAN	110	396	233	P3TKA00ES9E
1.1/2"	P3TFA2B9FAN	160	576	339	P3TKA00ES9F
1.1/2"	P3TFA2B9GAN	220	792	466	P3TKA00ES9G
2"	P3TFA2C9HAN	330	1188	699	P3TKA00ES9H
2.1/2"	P3TFA2D9JAN	430	1548	911	P3TKA00ES9J
3"	P3TFA2E9JAN	430	1548	911	P3TKA00ES9J
2.1/2"	P3TFA2D9KAN	620	2232	1314	P3TKA00ES9K
3"	P3TFA2E9KAN	620	2232	1314	P3TKA00ES9K

Correction factors

Line pressure bar g	psi g	Correction factor
1	15	0.38
2	29	0.53
3	44	0.65
4	58	0.76
5	73	0.85
6	87	0.93
7	100	1.00
8	116	1.07
9	131	1.13
10	145	1.19
11	160	1.25
12	174	1.31
13	189	1.36
14	203	1.41
15	218	1.46
16	232	1.51

Filter selection example

To find the correction factor for 8.5 bar g (122psi g) =

$$\sqrt{\frac{\text{System Operating Pressure}}{\text{Nominal Pressure}}} = \sqrt{\frac{8.5 \text{ bar g}}{7 \text{ bar g}}} = 1.10$$

Selecting a filter model to match a system flow rate and pressure.

Example: System flow 1050 m³/hr at a pressure of 8.5 bar g

1. Obtain pressure correction factor from table or calculate factor using method shown. Correction factor for 8.5 bar g = 1.10
2. Divide system flow by correction factor to give equivalent flow rate at 7 bar g 1050m³/hr ÷ 1.10 = 955 m³/hr (at 7 bar g)
3. Select a filter model from the above table with a flow rate above or equal to 955 m³/hr. Filter model selected : P3TFA2C9HAN
4. Select pipe connection & Thread type System uses 2" piping and BSP threads: Model P3TFA2C9HAN

1 µm Filtration

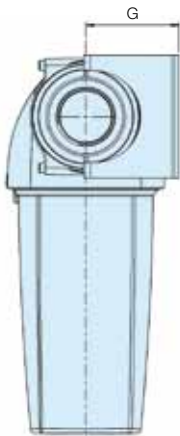
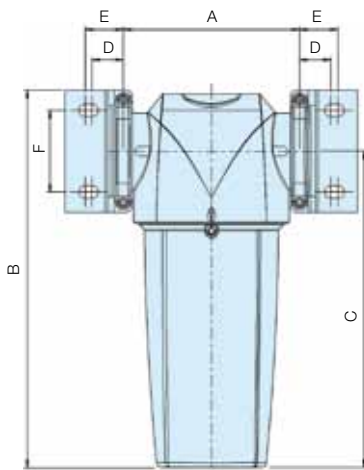
Technical data

Filter Grade	Drain type	Max operating pressure		Max recommended operating temp.		Min recommended operating temp.	
		bar g	psi g	80°C	176°F	1.5°C	35°F
1 micron	Auto	16	232	80°C	176°F	1.5°C	35°F

Weights and dimensions

Optional Accessories

Port Size BSPT	Part Number	A		B		C		D		E		F		G		Weight		Modular Connection Kit	Wall Mounting Bracket Kit
		mm	ins	mm	ins	mm	ins	mm	ins	mm	ins	mm	ins	mm	ins	kg	lbs		
1/4"	P3TFA229AAN	76.0	3.0	181.5	7.2	153.0	6.0	18.0	0.71	24.5	0.96	30.0	1.18	52.0	2.05	0.4	0.9	P3TKA00CBA	P3TKA00MWA
3/8"	P3TFA239BAN	97.5	3.8	235.0	9.3	201.0	7.9	20.5	0.81	25.5	1.00	40.0	1.57	60.0	2.36	1.0	2.2	P3TKA00CBB	P3TKA00MWB
1/2"	P3TFA249CAN	97.5	3.8	235.0	9.3	201.0	7.9	20.5	0.81	25.5	1.00	40.0	1.57	60.0	2.36	1.0	2.2	P3TKA00CBB	P3TKA00MWB
3/4"	P3TFA269DAN	129.0	5.1	275.0	10.8	232.5	9.2	23.0	0.91	28.0	1.10	60.0	2.36	68.0	2.68	2.2	4.8	P3TKA00CBD	P3TKA00MWD
1"	P3TFA289EAN	129.0	5.1	364.5	14.3	322.0	12.7	23.0	0.91	28.0	1.10	60.0	2.36	68.0	2.68	2.6	5.7	P3TKA00CBD	P3TKA00MWD
1.1/4"	P3TFA2A9EAN	129.0	5.1	364.5	14.3	322.0	12.7	23.0	0.91	28.0	1.10	60.0	2.36	68.0	2.68	2.6	5.7	P3TKA00CBD	P3TKA00MWD
1.1/2"	P3TFA2B9FAN	170.0	6.7	432.5	17.0	382.5	15.1	32.0	1.26	39.0	1.54	84.0	3.31	92.0	3.62	4.5	9.9	P3TKA00CBF	P3TKA00MWF
1.1/2"	P3TFA2B9GAN	170.0	6.7	524.5	20.6	474.5	18.7	32.0	1.26	39.0	1.54	84.0	3.31	92.0	3.62	5.3	11.6	P3TKA00CBF	P3TKA00MWF
2"	P3TFA2C9HAN	170.0	6.7	524.5	20.6	474.5	18.7	32.0	1.26	39.0	1.54	84.0	3.31	92.0	3.62	5.3	11.6	P3TKA00CBF	P3TKA00MWF
2.1/2"	P3TFA2D9JAN	205.0	8.1	641.5	25.3	581.5	22.9	35.5	1.40	42.5	1.67	100.0	3.94	135.0	5.31	10.0	22.0	P3TKA00CBJ	P3TKA00MWJ
3"	P3TFA2E9JAN	205.0	8.1	641.5	25.3	581.5	22.9	35.5	1.40	42.5	1.67	100.0	3.94	135.0	5.31	10.0	22.0	P3TKA00CBJ	P3TKA00MWJ
2.1/2"	P3TFA2D9KAN	205.0	8.1	832.0	32.8	772.0	30.4	35.5	1.40	42.5	1.67	100.0	3.94	135.0	5.31	12.0	26.4	P3TKA00CBJ	P3TKA00MWJ
3"	P3TFA2E9KAN	205.0	8.1	832.0	32.8	772.0	30.4	35.5	1.40	42.5	1.67	100.0	3.94	135.0	5.31	12.0	26.4	P3TKA00CBJ	P3TKA00MWJ



DPI Kit

P3TKA00RQ

Incident Monitor

Used to indicate premature high differential pressure. Indicator can be retrofitted to existing housings without depressurising the system.



Modular Connection Kit

Fixing clamp allows quick and simple connection of multiple filter housings.



Wall Mounting Bracket Kit

Mounting brackets provide additional support to filters installed in flexible piping systems or OEM equipment.

Drain Kits

Auto drain P3TKA00DA

Manual drain P3TKA00DM

Oil Vapour Removal Filter

Filtration Grade

Filtration type	Oil vapour removal
Particle removal (inc water & oil aerosols)	N/A
Max remaining oil content at 21°C	0.003 mg/m ³ 0.003 ppm(w)
Filter efficiency	N/A
Test methods used	ISO
ISO 12500-1 Inlet Challenge concentration	N/A
Initial dry differential pressure	<200 mbar (3psi)
Initial saturated differential pressure	N/A
Change element every	When oil vapour is detected
Precede with filtration grade	0.01 micron Moduflex Coalescer filter



Product selection

Stated flows are for operation at 7 bar (g) with reference to 20°C, 1 bar (a), 0% relative water vapour pressure. For flows at other pressures apply the correction factors shown.

Port Size BSPT	Part Number	dm ³ /s	m ³ /hr	cfm	Oil vapour removal Replacement Element Kit
1/4"	P3TFA22AAMN	10	36	21	P3TKA00ESAA
3/8"	P3TFA23ABMN	20	72	42	P3TKA00ESAB
1/2"	P3TFA24ACMN	30	108	64	P3TKA00ESAC
3/4"	P3TFA26ADMN	60	216	127	P3TKA00ESAD
1 "	P3TFA28AEMN	110	396	233	P3TKA00ESAE
1.1/4"	P3TFA2AAEMN	110	396	233	P3TKA00ESAE
1.1/2"	P3TFA2BAFMN	160	576	339	P3TKA00ESAF
1.1/2"	P3TFA2BAGMN	220	792	466	P3TKA00ESAG
2"	P3TFA2CAHMN	330	1188	699	P3TKA00ESAH
2.1/2"	P3TFA2DAJMN	430	1548	911	P3TKA00ESAJ
3"	P3TFA2EAJMN	430	1548	911	P3TKA00ESAJ
2.1/2"	P3TFA2DAKMN	620	2232	1314	P3TKA00ESAK
3"	P3TFA2EAKMN	620	2232	1314	P3TKA00ESAK

Correction factors

Line pressure bar g	psi g	Correction factor
1	15	0.38
2	29	0.53
3	44	0.65
4	58	0.76
5	73	0.85
6	87	0.93
7	100	1.00
8	116	1.07
9	131	1.13
10	145	1.19
11	160	1.25
12	174	1.31
13	189	1.36
14	203	1.41
15	218	1.46
16	232	1.51
17	247	1.56
18	261	1.60
19	275	1.65
20	290	1.70

To find the correction factor for 8.5 bar g (122psi g) =

$$\sqrt{\frac{\text{System Operating Pressure}}{\text{Nominal Pressure}}} = \sqrt{\frac{8.5 \text{ bar g}}{7 \text{ bar g}}} = 1.10$$

Filter selection example

Selecting a filter model to match a system flow rate and pressure.

Example: System flow 1050 m³/hr at a pressure of 8.5 bar g

1. Obtain pressure correction factor from table or calculate factor using method shown. Correction factor for 8.5 bar g = 1.10
2. Divide system flow by correction factor to give equivalent flow rate at 7 bar g
1050m³/hr ÷ 1.10 = 955 m³/hr (at 7 bar g)
3. Select a filter model from the above table with a flow rate above or equal to 955 m³/hr. Filter model selected : P3TFA2CAHMN
4. Select pipe connection & Thread type System uses 2" piping and BSP threads: Model P3TFA2CAHMN

Oil Vapour Removal Filter

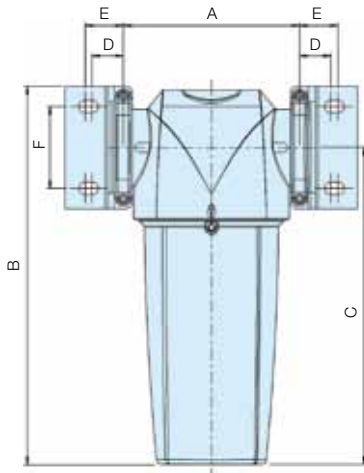
Technical data

Filter Grade	Drain type	Max operating pressure		Max recommended operating temp.		Min recommended operating temp.	
		bar g	psi g				
Oil vapour removal	Manual	20	290	100°C	212°F	1.5°C	35°F

Weights and dimensions

Optional Accessories

Port Size BSPT	Part Number	A		B		C		D		E		F		G		Weight		Modular Connection Kit	Wall Mounting Bracket Kit
		mm	ins	mm	ins	mm	ins	mm	ins	mm	ins	mm	ins	mm	ins	kg	lbs		
1/4"	P3TFA22AAMN	76.0	3.0	181.5	7.2	153.0	6.0	18.0	0.71	24.5	0.96	30.0	1.18	52.0	2.05	0.4	0.9	P3TKA00CBA	P3TKA00MWA
3/8"	P3TFA23ABMN	97.5	3.8	235.0	9.3	201.0	7.9	20.5	0.81	25.5	1.00	40.0	1.57	60.0	2.36	1.0	2.2	P3TKA00CBB	P3TKA00MWB
1/2"	P3TFA24ACMN	97.5	3.8	235.0	9.3	201.0	7.9	20.5	0.81	25.5	1.00	40.0	1.57	60.0	2.36	1.0	2.2	P3TKA00CBB	P3TKA00MWB
3/4"	P3TFA26ADMN	129.0	5.1	275.0	10.8	232.5	9.2	23.0	0.91	28.0	1.10	60.0	2.36	68.0	2.68	2.2	4.8	P3TKA00CBD	P3TKA00MWD
1"	P3TFA28AEMN	129.0	5.1	364.5	14.3	322.0	12.7	23.0	0.91	28.0	1.10	60.0	2.36	68.0	2.68	2.6	5.7	P3TKA00CBD	P3TKA00MWD
1.1/4"	P3TFA2AAEMN	129.0	5.1	364.5	14.3	322.0	12.7	23.0	0.91	28.0	1.10	60.0	2.36	68.0	2.68	2.6	5.7	P3TKA00CBD	P3TKA00MWD
1.1/2"	P3TFA2BAFMN	170.0	6.7	432.5	17.0	382.5	15.1	32.0	1.26	39.0	1.54	84.0	3.31	92.0	3.62	4.5	9.9	P3TKA00CBF	P3TKA00MWF
1.1/2"	P3TFA2BAGMN	170.0	6.7	524.5	20.6	474.5	18.7	32.0	1.26	39.0	1.54	84.0	3.31	92.0	3.62	5.3	11.6	P3TKA00CBF	P3TKA00MWF
2"	P3TFA2CAHMN	170.0	6.7	524.5	20.6	474.5	18.7	32.0	1.26	39.0	1.54	84.0	3.31	92.0	3.62	5.3	11.6	P3TKA00CBF	P3TKA00MWF
2.1/2"	P3TFA2DAJMN	205.0	8.1	641.5	25.3	581.5	22.9	35.5	1.40	42.5	1.67	100.0	3.94	135.0	5.31	10.0	22.0	P3TKA00CBJ	P3TKA00MWJ
3"	P3TFA2EAJMN	205.0	8.1	641.5	25.3	581.5	22.9	35.5	1.40	42.5	1.67	100.0	3.94	135.0	5.31	10.0	22.0	P3TKA00CBJ	P3TKA00MWJ
2.1/2"	P3TFA2DAKMN	205.0	8.1	832.0	32.8	772.0	30.4	35.5	1.40	42.5	1.67	100.0	3.94	135.0	5.31	12.0	26.4	P3TKA00CBJ	P3TKA00MWJ
3"	P3TFA2EAKMN	205.0	8.1	832.0	32.8	772.0	30.4	35.5	1.40	42.5	1.67	100.0	3.94	135.0	5.31	12.0	26.4	P3TKA00CBJ	P3TKA00MWJ



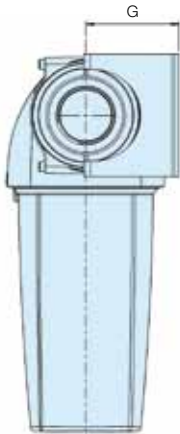
Modular Connection Kit

Fixing clamp allows quick and simple connection of multiple filter housings.



Wall Mounting Bracket Kit

Mounting brackets provide additional support to filters installed in flexible piping systems or OEM equipment.



Drain Kits

Auto drain	P3TKA00DA
Manual drain	P3TKA00DM

High Efficiency Bulk Liquid Removal

- Tested in accordance with ISO 8573.9
- Performance independently verified by Lloyds Register
- High liquid removal efficiencies at all flow conditions
- Low pressure losses for low operational costs
- Multiple port sizes for a given flow rate provides increased flexibility during installation
- Suitable for variable flow compressors
- Works with all types of compressor and compressor condensate
- Low maintenance
- 10 Year Housing Guarantee



Typical Applications

- Bulk liquid removal at any point in a compressed air system
- Protection of refrigeration and adsorption dryer pre-filtration
- Liquid removal from compressor inter-coolers / after-coolers
- Liquid separation within refrigeration dryers

Product selection

Stated flows are for operation at 7 bar (g) with reference to 20°C, 1 bar (a), 0% relative water vapour pressure.

Correction factors

Port Size	Part Number	dm ³ /s	m ³ /hr	cfm	Max operating pressure		Max Operating temperature	Min Operating temperature	Line pressure				
					bar g	psi g			bar g	psi g	Correction factor		
1/4"	P3TFA22WAAN	10	36	21	16	232	80 C	176 F	1.5 C	35 F	1	15	0.25
3/8"	P3TFA23WBAN	40	144	85	16	232	80 C	176 F	1.5 C	35 F	2	29	0.38
1/2"	P3TFA24WCAN	40	144	85	16	232	80 C	176 F	1.5 C	35 F	440.50		3
3/4"	P3TFA26WDAN	110	396	233	16	232	80 C	176 F	1.5 C	35 F	0.63		5
1"	P3TFA28WEAN	110	396	233	16	232	80 C	176 F	1.5 C	35 F	0.75		6
1.1/4"	P3TFA2AWFAN	350	1260	742	16	232	80 C	176 F	1.5 C	35 F	0.88		7
1.1/2"	P3TFA2BVGAN	350	1260	742	16	232	80 C	176 F	1.5 C	35 F	1.00		8
2"	P3TFA2CWHAN	350	1260	742	16	232	80 C	176 F	1.5 C	35 F	1.06		9
2.1/2"	P3TFA2DVKAN	800	2880	1695	16	232	80 C	176 F	1.5 C	35 F	1.12		10
3"	P3TFA2EWMAN	800	2880	1695	16	232	80 C	176 F	1.5 C	35 F	1.17		11
											1.22		12
											1.27		13
											1.32		14
											1.37		15
											1.41		16
											1.46		232

Filter selection example

Selecting a Water Separator model to match a system flow rate and pressure.
Example: System flow 1050 m³/hr at a pressure of 8 bar g

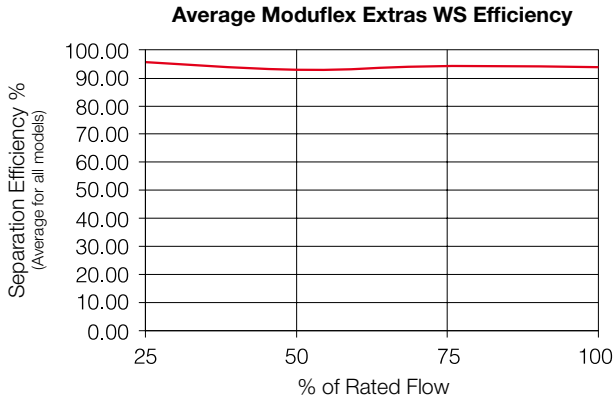
1. Obtain pressure correction factor from table.
Correction factor for 8 bar g = 1.06
2. Divide system flow by correction factor to give equivalent flow rate at 7 bar g
1050m³/hr ÷ 1.06 = 984 m³/hr (at 7 bar g)
3. Select a filter model from the above table with a flow rate above or equal to 984 m³/hr. Suitable Water Separator models : P3TFA2AWFAN
P3TFA2AWGAN
P3TFA2AWHAN
4. Select pipe connection & Thread type
System uses 1.1/2" piping and BSP threads: Model P3TFA2BVGAN

To find the correction factor for 8 bar g =

$$\begin{aligned}
 & \sqrt{\frac{\text{System Operating Pressure}}{\text{Nominal Pressure}}} \\
 & = \sqrt{\frac{8 \text{ bar g}}{7 \text{ bar g}}} = 1.06
 \end{aligned}$$

High Efficiency Bulk Liquid Removal

Separation Efficiency

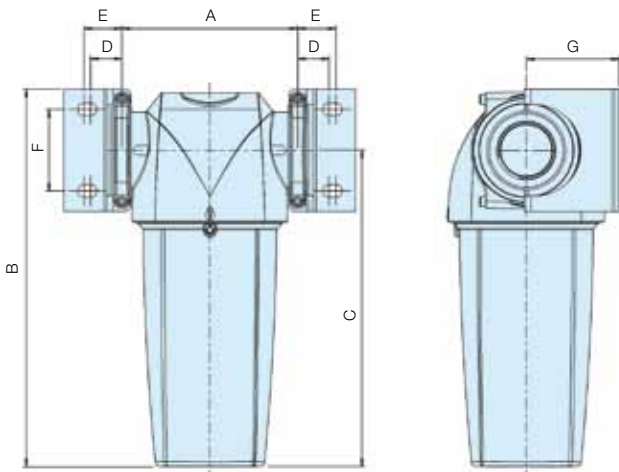


Tested with an inlet challenge concentration of 33ml/m3hr and in accordance with ISO 8573.9. Performance shown is an average for all models in range. Individual model performance available on request.

Weights and dimensions

Optional Accessories

Port Size	Part Number	A		B		C		D		E		F		G		Weight		Modular Connection Kit	Wall Mounting Bracket Kit
		mm	ins	mm	ins	mm	ins	mm	ins	mm	ins	mm	ins	mm	ins	kg	lbs		
1/4"	P3TFA22WAAN	76.0	3.0	181.5	7.2	153.0	6.0	18.0	0.71	24.5	0.96	30.0	1.18	52.0	2.05	0.4	0.9	P3TKA00CBA	P3TKA00MWA
3/8"	P3TFA23WBAN	97.5	3.8	235.0	9.3	201.0	7.9	20.5	0.81	25.5	1.00	40.0	1.57	60.0	2.36	1.0	2.2	P3TKA00CBB	P3TKA00MWB
1/2"	P3TFA24WCAN	97.5	3.8	235.0	9.3	201.0	7.9	20.5	0.81	25.5	1.00	40.0	1.57	60.0	2.36	1.0	2.2	P3TKA00CBB	P3TKA00MWB
3/4"	P3TFA26WDAN	129.0	5.1	275.0	10.8	232.5	9.2	23.0	0.91	28.0	1.10	60.0	2.36	68.0	2.68	2.2	4.8	P3TKA00CBD	P3TKA00MWD
1"	P3TFA28WEAN	129.0	5.1	364.5	14.3	322.0	12.7	23.0	0.91	28.0	1.10	60.0	2.36	68.0	2.68	2.6	5.7	P3TKA00CBD	P3TKA00MWD
1.1/4"	P3TFA2BWFAN	170.0	6.7	432.5	17.0	382.5	15.1	32.0	1.26	39.0	1.54	84.0	3.31	92.0	3.62	4.5	9.9	P3TKA00CBF	P3TKA00MWF
1.1/2"	P3TFA2BWGAN	170.0	6.7	524.5	20.6	474.5	18.7	32.0	1.26	39.0	1.54	84.0	3.31	92.0	3.62	5.3	11.6	P3TKA00CBF	P3TKA00MWF
2"	P3TFA2CWHAN	170.0	6.7	524.5	20.6	474.5	18.7	32.0	1.26	39.0	1.54	84.0	3.31	92.0	3.62	5.3	11.6	P3TKA00CBF	P3TKA00MWF
2.1/2"	P3TFA2DWKAN	205.0	8.1	832.0	32.8	772.0	30.4	35.5	1.40	42.5	1.67	100.0	3.94	135.0	5.31	12.0	26.4	P3TKA00CBJ	P3TKA00MWJ
3"	P3TFA2EWKAN	205.0	8.1	832.0	32.8	772.0	30.4	35.5	1.40	42.5	1.67	100.0	3.94	135.0	5.31	12.0	26.4	P3TKA00CBJ	P3TKA00MWJ



Modular Connection Kit

Fixing clamp allows quick and simple connection of multiple filter housings.



Wall Mounting Bracket Kit

Mounting brackets provide additional support to filters installed in flexible piping systems or OEM equipment.

Selection Criteria

To correctly select the dryer best suited for your application, the following details are required to ensure optimum performance and trouble free operation.

- **Maximum Inlet Flow.**
- **Minimum Inlet Pressure.**
- **Maximum Inlet Temperature.**

Once these operating parameters have been established, you can select the most economical Dry Air System for your application.



Technical Specifications

Flow Range:	85 L/min to 567 L/min at 7 bar
Minimum Operating Pressure:	4 bar
Maximum Operating Pressure:	12 bar
Minimum Operating Temperature:	1.5°C
Maximum Inlet Temperature:	50°C
Noise Level (Average):	≤ 70dB(A)
Pressure Dewpoint	(Standard): -40°C pdp
	(Optional): -70°C pdp
Standard Electrical Supply:	230/1ph/50Hz (Tolerance +/- 10%)
	115/1ph/60Hz (Tolerance +/- 10%)
Controls:	Electronic Control Timer
Inlet Connections:	G3/8
Outlet Connections:	G3/8

Ordering Information

P3

T

J

A

3

A

N

Thread type

1	BSPP
9	NPT

Size

1
2
3
4
5
6
7

Supply Voltage

A	(230 V AC)
C	(24 V AC)
J	(110 V AC)

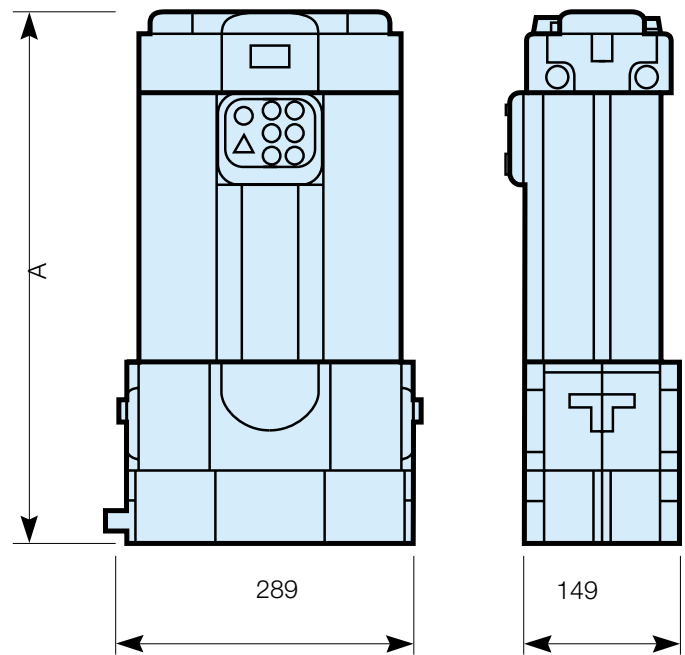
Note: Bold options are standard

Standard nominal flow rate qnN (NL/min) at pressure dew point -40°C

Model	Port Size	Max inlet temperature	Inlet Pressure (bar)								
			4	5	6	7	8	9	10	11	12
P3TJA13A1AN	3/8"	20°C	53	63	75	85	82	92	100	110	118
	3/8"	35°C	33	47	66	85	80	99	118	142	165
	3/8"	40°C	32	46	64	82	77	97	114	138	160
	3/8"	45°C	29	42	58	75	70	87	104	125	145
	3/8"	50°C	24	35	48	62	58	73	86	103	142
P3TJA13A2AN	3/8"	20°C	90	107	125	142	137	153	167	183	198
	3/8"	35°C	57	80	110	142	133	165	197	236	277
	3/8"	40°C	55	78	106	138	129	161	190	229	269
	3/8"	45°C	50	71	96	125	116	145	174	209	244
	3/8"	50°C	41	59	80	104	97	121	144	172	238
P3TJA13A3AN	3/8"	20°C	143	170	200	277	220	245	267	292	317
	3/8"	35°C	90	128	176	227	213	265	315	377	444
	3/8"	40°C	87	124	170	220	207	257	304	365	431
	3/8"	45°C	79	112	154	200	187	233	278	333	390
	3/8"	50°C	66	94	128	166	156	194	230	274	380
P3TJA13A4AN	3/8"	20°C	178	213	250	283	275	307	335	365	397
	3/8"	35°C	112	160	220	283	267	332	395	471	556
	3/8"	40°C	109	155	213	275	259	322	382	456	540
	3/8"	45°C	98	141	193	249	234	292	348	416	488
	3/8"	50°C	82	117	160	207	195	243	288	343	476
P3TJA13A5AN	3/8"	20°C	232	277	323	368	357	398	435	475	515
	3/8"	35°C	146	208	284	368	346	430	513	613	721
	3/8"	40°C	142	202	275	357	336	418	496	594	700
	3/8"	45°C	128	183	249	324	303	378	452	542	633
	3/8"	50°C	107	152	207	269	253	314	374	447	618
P3TJA13A6AN	3/8"	20°C	268	318	373	425	412	458	502	548	595
	3/8"	35°C	169	239	328	425	400	495	592	707	833
	3/8"	40°C	163	232	317	412	387	481	572	685	809
	3/8"	45°C	147	210	287	374	350	435	522	625	732
	3/8"	50°C	123	175	239	310	293	362	432	515	714
P3TJA13A7AN	3/8"	20°C	357	425	498	567	550	612	668	732	793
	3/8"	35°C	225	319	438	567	534	661	788	944	1110
	3/8"	40°C	218	310	423	550	517	643	762	915	1078
	3/8"	45°C	196	281	383	499	468	581	695	834	975
	3/8"	50°C	164	234	319	414	391	483	574	688	952

Weights and Dimensions

Model	Dimensions mm (ins) A	Weight kg (lbs)
P3TJA13A1AN	422 (16.6)	11 (24.2)
P3TJA13A2AN	500 (19.7)	13 (28.7)
P3TJA13A3AN	616 (24.2)	16 (35.3)
P3TJA13A4AN	692 (27.2)	18 (39.7)
P3TJA13A5AN	847 (33.3)	20 (44.1)
P3TJA13A6AN	906 (35.7)	23 (50.7)
P3TJA13A7AN	1098 (43.2)	28 (61.7)



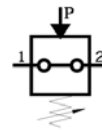
Service Kits

Model	Service Kit
P3TJA13A1AN	P3TKA00JA1
P3TJA13A2AN	P3TKA00JA2
P3TJA13A3AN	P3TKA00JA3
P3TJA13A4AN	P3TKA00JA4
P3TJA13A5AN	P3TKA00JA5
P3TJA13A6AN	P3TKA00JA6
P3TJA13A7AN	P3TKA00JA7

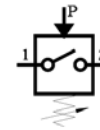
Mounting Kits

Description	Kit
Fixed Wall Mounting Bracket	P3TKA00MJ
45° Tilt Wall Mounting Bracket	P3TKA00MK

Pressure Switches G1/8", G1/4"



Break contact



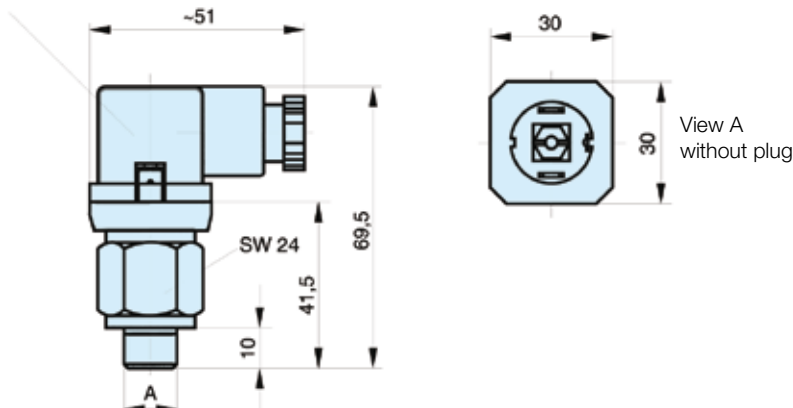
Make contact

Characteristics		Material	
Safety pressure relief P _{max}	300 bar	Housing	Passivated steel
Port size	G1/8, G1/4	Diaphragm	Buna N
Weight (mass)	0.090 kg	Switching function	
Medium and ambient T _{max} temperature range	+100 °C	Make contact	Closes the circuit when the set pressure is reached
Switch back difference	Max. 5 - 15%	Break contact	Interrupts the circuit when the set pressure is reached
Voltage	Max. 48 V		
Current	0.5 A		
Electrical connection	Plug contacts, plug		
Degree of protection	IP 65 with plug		
Switching frequency	Max. 200 s/min		

Dimensions and order instructions

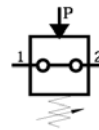
Order instructions	Port size (bar)	Function	Setting range	Order code	Type	A
PR / 0.1-1 NC ST 1/4 48	G1/4	Break contact	0.1-1	KL3439		
PR / 0.1-1 NO ST 1/4 48	G1/4	Make contact	0.1-1	KL3440		
PR / 1-10 NC ST 1/8 48	G1/8	Break contact	1-10	KL3437		
PR / 1-10 NC ST 1/4 48	G1/4	Break contact	1-10	KL3436		
PR / 1-10 NO ST 1/8 48	G1/8	Make contact	1-10	KL3438		
PR / 1-10 NO ST 1/4 48	G1/4	Make contact	1-10	KL3435		

Plug can be turned 90°

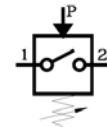


Dimensions in mm

Pressure Switches G1/8", G1/4"



Break contact

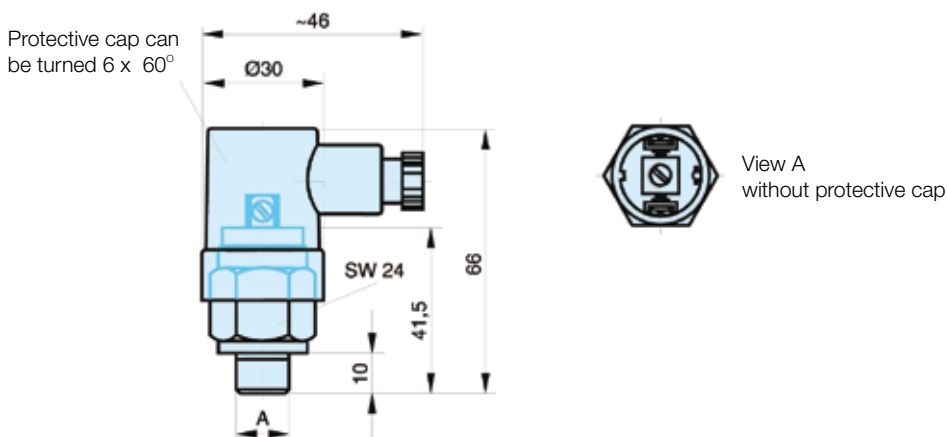


Make contact

Characteristics		Material	
Safety pressure relief P _{max}	300 bar	Housing	Passivated steel
Port size	G1/8, G1/4	Diaphragm	Buna N
Weight (mass)	0.075 kg	Switching function	
Medium and ambient T _{max} temperature range	+100 °C	Make contact	Closes the circuit when the set pressure is reached
Switch back difference	Max. 5 - 15%	Break contact	Interrupts the circuit when the set pressure is reached
Voltage	Max. 48 V		
Current	0.5 A		
Electrical connection	Flat pin plug, protective cap		
Degree of protection	IP 65 with protective cap		
Switching frequency	200 s/min		

Dimensions and order instructions

Order instructions	Port size (bar)	Function	Setting range	Order code	Type	A
PR / 0.2-1 NO SR 1/4 48	G1/4	Make contact	0.2-1	KL3445		
PR / 0.1-1 NC SR 1/4 48	G1/4	Break contact	0.1-1	KL3454		
PR / 0.1-1 NO SR 1/4 48	G1/4	Make contact	0.1-1	KL3455		
PR / 1-10 NC SR 1/8 48	G1/8	Break contact	1-10	KL3452		
PR / 1-10 NC SR 1/4 48	G1/4	Break contact	1-10	KL3451		
PR / 1-10 NO SR 1/8 48	G1/8	Make contact	1-10	KL3453		
PR / 1-10 NO SR 1/4 48	G1/4	Make contact	1-10	KL3450		



Dimensions in mm

**Pressure Switches G1/8", G1/4"
Series G1/4-..I / ..P**

- Suited for intrinsically safe operation
- Especially compact design
- High switching frequency
- Attractive design
- Shock proof up to 30 g



Characteristics			
Type - thread version	G1/4-0I* G1/4-2I G1/4-8I G1/4-16I	Voltage type	AC and DC
Type - flange version	G1/4-0P* G1/4-2P G1/4-8P G1/4-16P	Operating current and	AC12 to VDE0660 4A at 250 VAC AC14 to VDE0660 1A at 250 VAC DC12 to VDE0660 3A at 28 VDC DC13 to VDE0660 1A at 28 VDC
Setting range P _{min} /max (bar)	-1 to 0 0.2-2 0.5-8 1-16	CE marking	To EC Directive 73/23/EWG
Safety pressure relief P _{max}	80 80 80 80	Electrical connection	Plug to DIN EN 175301-803, Form A, ISO4400 or M12x1 - 4-pin
Port size	Type I: G1/4 internal thread, Type P: flange	Degree of protection	IP65
Mounting	2 through holes Ø 5.2	Switching element	Pole changing switch with catch spring as switching element, with self-cleaning contacts
Installation	In any position	Switching frequency	Max. 200 s/min
Weight (mass)	0.275 kg		* for vacuum operation
Medium	Filtered compressed air (10µm), lubricated or unlubricated	Material	
Medium and ambient T _{min}	-10 °C	Housing	Special aluminium die casting, powder coated
temperature range T _{max}	+80 °C	Diaphragm, seals	Buna N
Consistency	±2 in relation to end-of-range value		
Hysteresis, vaccum version	<15%		
Vibration resistance	10 g (10 ... 2000 Hz)		
Shock resistance	30 g		
Voltage	Max. 250 V		

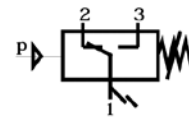
Selection and Mounting:

Range selection:

Selection is optimal when the switching points are in the middle of the switching range.

Electrical connection:

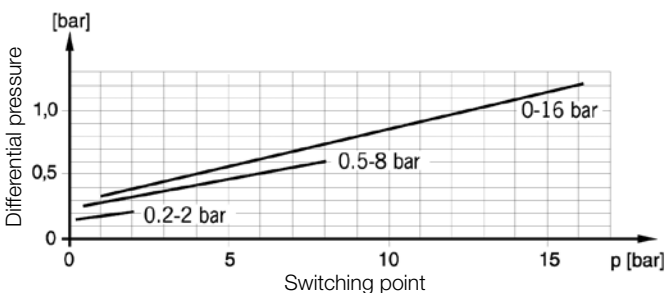
Wiring according to VDE regulations.
Tightening torque for plug: 0.7 ± 0.1 Nm
Outdoor use only with sufficient protection against critical environmental conditions (e.g. aggressive atmosphere, salty environments, high temperature changes).



Pin 1 - 3:
Rising pressure makes contact.

Pin 1 - 2:
Rising pressure breaks contact.

Switch back difference



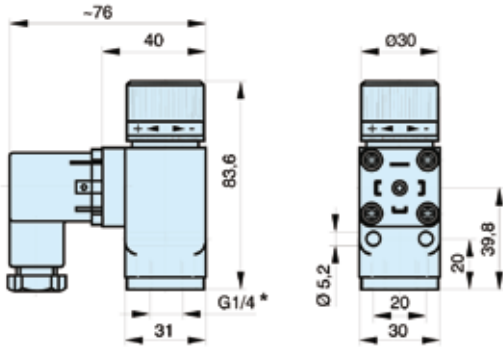
Delivery includes:

The flange version (surface roughness of flange surface 12µm) is supplied with an O-ring 5 x 1.5mm and 2 screws 5 x 35 DIN 912. Minimum thread length to be used: 4mm.

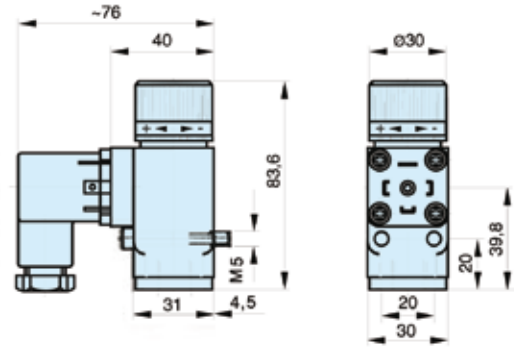
Max. diameter of the pressure opening 3mm.

Dimensions (mm)

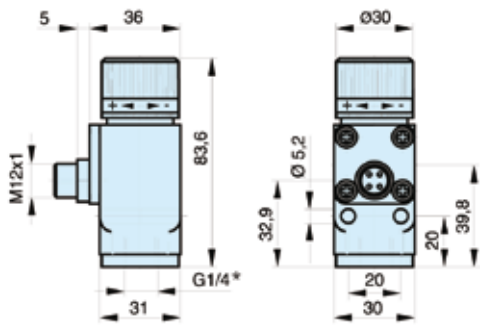
Version with internal thread and plug



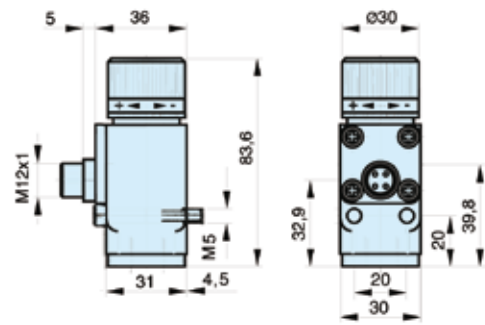
Flange version and plug



with M12 connector



with M12 connector



* Thread 11mm deep

Setting range (bar)	Type	Order code
-1 to 0	G1/4-0I-DIN	KL3200
-1 to 0	G1/4-0I-M12	KL3208
0.2 to 2	G1/4-2I-DIN	KL3201
0.2 to 2	G1/4-2I-M12	KL3209
0.5 to 8	G1/4-8I-DIN	KL3202
0.5 to 8	G1/4-8I-M12	KL3210
1.0 to 16	G1/4-16I-DIN	KL3203
1.0 to 16	G1/4-16I-M12	KL3211

Setting range (bar)	Type	Order code
-1 to 0	G1/4-0P-DIN	KL3204
-1 to 0	G1/4-0P-M12	KL3212
0.2 to 2	G1/4-2P-DIN	KL3205
0.2 to 2	G1/4-2P-M12	KL3213
0.5 to 8	G1/4-8P-DIN	KL3206
0.5 to 8	G1/4-8P-M12	KL3214
1.0 to 16	G1/4-16P-DIN	KL3207
1.0 to 16	G1/4-16P-M12	KL3215

Plugs to DIN EN 175301-803, Form A, ISO 4400

Standard version



Version with LEDs



Plugs to DIN EN 175301-803, Form A, ISO 4400

Description	Type	Order code
Standard version	GSD-30DS	KL3349
Version with LEDs 24 V	GSD-30DSL24V	KL3350
Version with LEDs 230 V	GSD-30DSL230V	KL3351

**Pressure Switches Electronic
Series EDP**

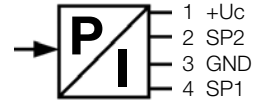
The EDP electronically actuated pressure switches are used to convert pneumatic signals into electrical signals. The pressure range 0-16 bar can be adjusted individually, in either bar or psi.

The pressure switches can be used as threshold value comparators with one hysteresis or as window comparators with two hystereses.

A robust ceramic measuring cell acts as a measured value transducer.

- Simple, menu-driven programming via 3 membrane keys
- 3-digit red LED display (pressure gauge function)
- Electronic locking
- Versions for specific applications on request

Symbol



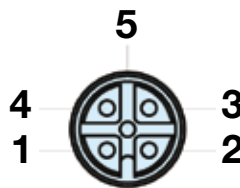
Characteristics

Type - flange version	EDP-V	EDP	Voltage	18 - 32 V
Setting range P _{min} /max (bar)	-1 to 0	0-16	Voltage type	Direct current
Safety pressure relief P _{max}	100 bar	100 bar	Power consumption	< 80 mA without switching outlet
Port size	Flange connection		Switching current	SP1 max. 1.3 A (PIN4) SP2 / ERROR max. 0.3A (PIN2)
Display	3 digit, red 7-Segment LED-Display, programmable 0°/180°		Switching logic	NO / NC programmable
Display for operating status	LED red/green		Switching outlet	Short circuit proof
Linearity %	<± 0.2 to 1.5 p _N		Electrical connection	Plug M12x1
TK zero point %	<± 0.2 p _N		Degree of protection	IP67 to EN 60529
Installation	In any position		Material	
Weight (mass)	0.100 kg		Housing	PA, part in contact with medium: Al
Medium	Filtered compressed air, lubricated or unlubricated, weakly acidic or weakly alkaline fluids		Measuring cell	Ceramic
Ambient T _{min}	-20 °C		Seals	Buna N, part in contact with medium: FKM
temperature range T _{max}	+70 °C			
Medium T _{min}	-20 °C			
temperature range T _{max}	+70 °C			

Applications

- Pneumatic control systems
- Pressing technology
- Welding technology
- Packing machines and filling systems
- Test systems
- Clamping systems
- Plastic blow-moulding machinery
- Robotics and handling industry

Connection diagram

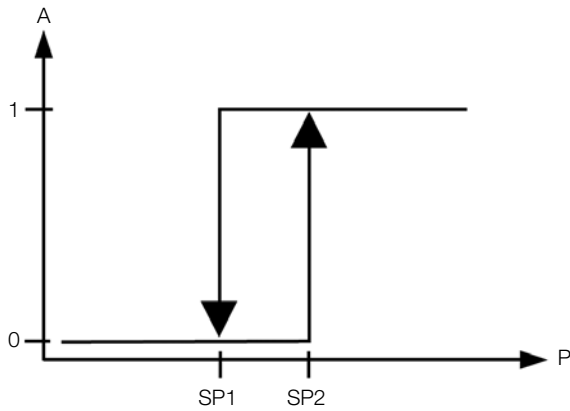


Electrical connection

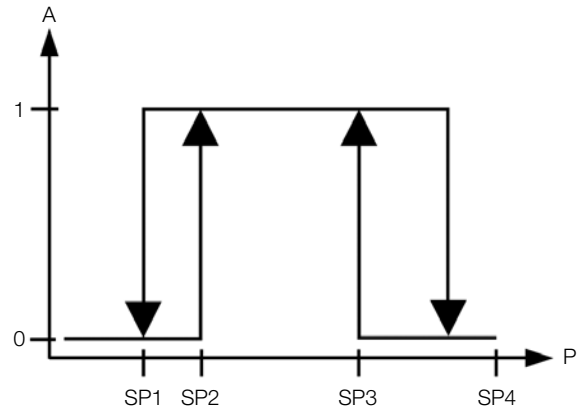
- 1 = bn (brown) +Uc
- 2 = ws (white) SP2
- 3 = bl (blue) GND
- 4 = sw (black) SP1

Threshold value comparator / window value comparator functions

Threshold value comparator with hysteresis

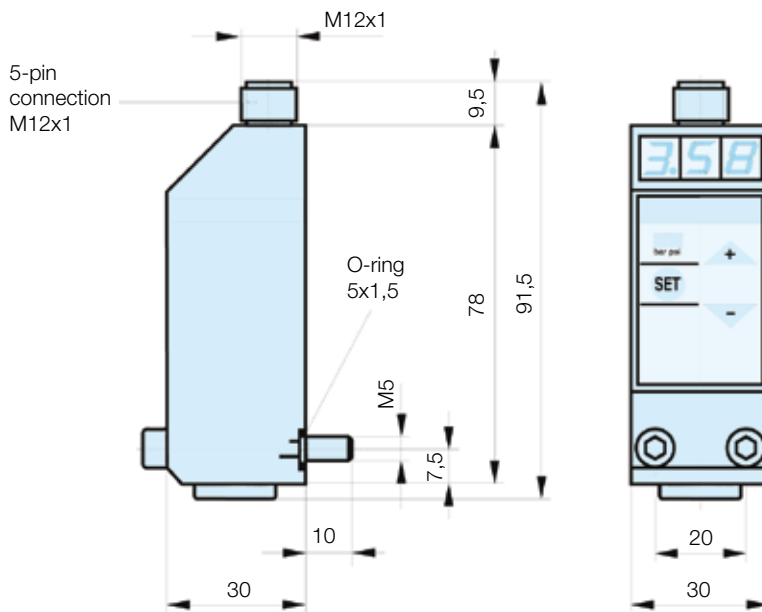


Window comparator with 2 hystereses



The illustrations show the NO (normally open) presetting.
 For the NC (normally closed) presetting, the diagrams are horizontally mirror-imaged, so that the start value is at 1.

Dimensions - Flange version with M12x1 connector



Setting range (bar)	Type	Order code
-1 to 1	EDP-V	KL3385
0 to 16	EDP	KL3384

Dimensions in mm.

Protect your most important assets: your employees and their equipment!

The AirGuard offers simple but efficient protection to pneumatic systems in the event of a broken compressed-air hose or pipe. The air supply is immediately shut off by the AirGuard, should the volume of air exceed a set value. This "value" is factory preset and is set to allow normal air consumption when using air tools.

Should the air consumption exceeds the set value, e.g. the air line is severed, then the internal piston instantly shuts off the main flow. An integral bleed hole allows some air to flow through. This enables the line pressure to automatically reset the AirGuard once the main line break is repaired.

Management Responsibility:

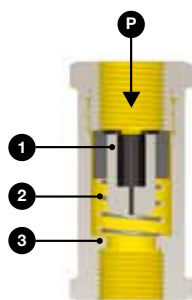
It is the duty of management to ensure a safe working environment for their employees and that the equipment complies with **ISO 4414** or "**PUWER**" (the Provision and Use of Work Equipment Regulations)

Complies with the 2010 ISO4414 (5.4.5.11.1)

"When failure of a hose assembly or plastic piping constitutes a whiplash hazard, it shall be restrained or shielded by suitable means. In addition, an air fuse for compressed air should be mounted."

Function:

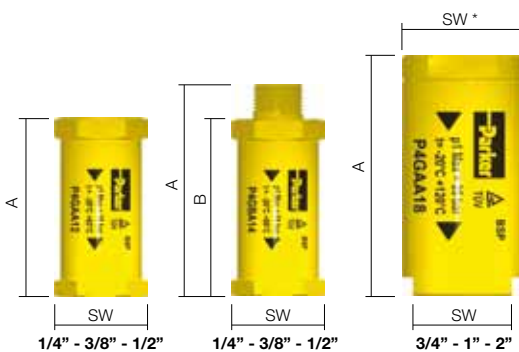
(P) is the inlet. The air flows over piston (1) and continues through seat (3). The flow of air over the piston is slowed down by several longitudinal grooves on the exterior of the piston. If the flow becomes excessive, the current of air cannot flow over the piston quickly enough. The piston is then pressed against spring (2) beneath it, and towards the seat. If the flow is exceeded, for example, if the hose suddenly breaks, the air supply is automatically shut off.



Special Applications

Stainless Steel AirGuard available in 1/2" size

Some branches of industry with a high hazard potential, such as chemical and pharmaceutical as well as clean room and offshore technologies place extremely high demands on both the safety of their employees and the protection of their facilities. Compressed air is typically used as an energy transfer medium in these industries and is no means without its dangers: compressed air hoses can rupture or burst, as can fixed pipes. This may expose personnel working in such areas to extreme hazards as well as potential damage to expensive facilities and costly production downtime.



Technical Data and Ordering Information

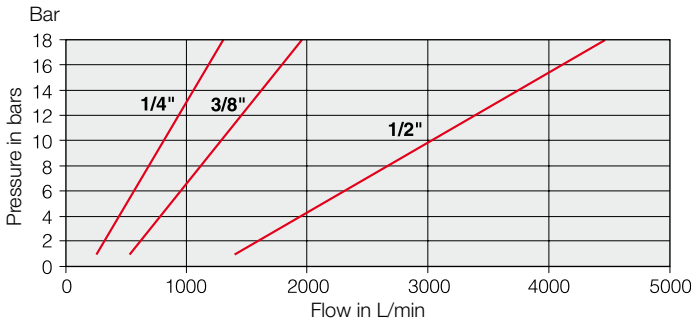
Thread connection BSP	dimensions (mm)			Weight (g)	Maximum inlet pressure	Temperature range	Material	P1 inlet thread	P2 outlet thread	Order Code
	A	B	SW							
1/4"	48	-	22	30	18 bar (255 PSIG)	-20°C to 80°C (-4°F to 176°F)	Housing: aluminium Piston: polyoxy- methylene	female	female	P4GAA12
1/4"	58	49	22	36				male	female	P4GBA12
3/8"	59	-	27	58				female	female	P4GAA13
3/8"	71	59	27	62				male	female	P4GBA13
1/2"	65	-	30	78				female	female	P4GAA14
1/2"	80	65	30	85				male	female	P4GBA14
1/2"	62	-	28	132	35 bar (500 PSIG)	-20°C to 120°C (-4°F to 248°F)	Housing: stainless steel Piston: polyoxy methylene	female	female	P4GCA14
3/4"	76	-	30 / 36*	107			Housing: aluminium Piston: aluminium	female	female	P4GAA16
1"	100	-	41 / 50*	300			female	female	P4GAA18	
2"	130	-	70 / 80*	775			female	female	P4GAA1C	

Note: NPT version available on request - 1/4" high flow version available on request.

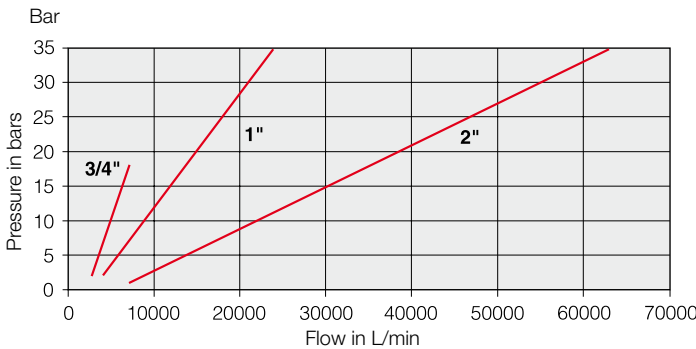


Closing Flow Graphs

1/4", 3/8" and 1/2" flow rates



3/4", 1" and 2" flow rates



Dimensioning of compressed air hoses and equipment

Connection Size	Hose length 0 to 10 meters			Hose length 10 to 20 meters		
	Inner diameter Minimum mm	Minimum pressure bar	Flow at 6 bar l/min	Inner diameter minimum	Minimum pressure bar	Flow at 6 bar l/min
1/4"	7	4	480	8	4	480
3/8"	10	4	1100	12	4	1100
1/2"	12	4	2000	14	4	2000
3/4"	18	4	3800	20	4	3800
1"	24	4	6500	26	4	6500
2"	45	4	16000	50	4	16000

If the pressure is lower than stated in the table, a hose with a larger internal diameter must be used.

To select the correct size AirGuard, the pneumatic tool or equipment must have a maximum flow requirement to the left of the red line.

e.g.: 15 bar @20000 L/m = 2" size AirGuard
 8 bar @1000 L/m = 3/8" size AirGuard



TÜV Approval: 01-02-0145



ATEX

These products are out of scope of the ATEX Directive 94/9/EC; however they can be used in a Group II Category 2 environment assuming that the ATEX Directive and the following conditions are complied with:

- Maximum working temperature to be as stated on product label.
- Product cleaning must be undertaken using a method complying with the specification of the ATEX Zone, preferably by aspiration and/or utilization of Antistatic Products.
- Deposits of dust on the product must not exceed 5mm thickness.
- Installation and Maintenance of the product must be done by a qualified personnel.
- Do not mount products in an area where Impact may occur.

AirGuard - P4G for zone 1, 21

Complies with: ISO 4414 5.4.5.11

Failure of hose assemblies and plastic piping 5.4.5.11.1

"When failure of a hose assembly of plastic piping constitutes a whiplash hazard, it shall be restrained or shielded by suitable means. In addition, **an air fuse for compressed air should be mounted**"

Table 1: Dimensioning of compressed air hoses and equipment

Thread	Hose length 0 to 10 meters			Hose length 10 to 20 meters		
	Inner diameter Minimum mm	Minimum pressure bar	Flow at 6 bar l/min	Inner diameter minimum	Minimum pressure bar	Flow at 6 bar l/min
1/4"	7	4	480	8	4	480
3/8"	10	4	1100	12	4	1100
1/2"	12	4	2000	14	4	2000
3/4"	18	4	3800	20	4	3800
1"	24	4	6500	26	4	6500
2"	45	4	16000	50	4	16000

If the pressure is lower than stated in the table, a hose with a larger internal diameter must be used.



A range of speed controls, flow controls and back pressure sensors designed to be mounted directly onto the cylinder in the optimum position for maximum performance.

- "Push-in" or threaded connection
- Multifunction options
- Fit directly to cylinder ports
- Swivelling pilot banjo
- Pneumatic, Electric or Electronic back pressure sensor



 **For ATEX specific products contact Sales Office**

Operating information

Working pressure;

PWR-L, PWR-H, PWR-A, PWR-B	1-10 bar
PWB-A, PWS-M, PWS-E, PWS-P	0-10 bar
PWA-L	0,2-10 bar

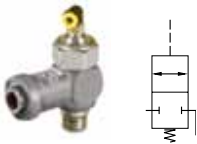
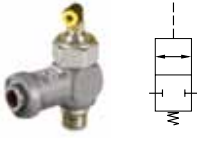
Working temperature	: -15°C to +60°C
PWR-L	-15°C to +70°C

Pilot pressure at 6 bar supply;

PWB-A and PWR-HB	(1/8", 1/4" versions)	: 4 bar
	(1/2" and 3/8" versions)	: 2,9 bar
PWS-P111		: 4,4 bar
PWS-M1012		: 1,5 bar
PWS-E101 and E111		: 0,7 bar


For more information see www.parker.com/euro_pneumatic

2/2 Blockers

Symbol	Connection for pilot port	Thread for cylinder connection	Connection for tube Ø, mm	Tightening torque Nm	Qmax input at 6 bar, l/min*	Order code
With push-in connection						
	Push-in *, Ø4 mm	G1/8	6	8	500	PWB-A1468
		G1/4	6	12	600	PWB-A1469
			8	12	650	PWB-A1489
		G3/8	8	30	1600	PWB-A1483
			10	30	1750	PWB-A1493
	G1/2	12	35	2050	PWB-A1412	
With threaded connection						
	Push-in *, Ø4 mm	G1/8	G1/4	8	500	PWB-A1898
		G1/4	G1/4	12	650	PWB-A1899
		G3/8	G3/8	30	1750	PWB-A1833
		G1/2	G1/2	35	2050	PWB-A1822

* M5 without banjo


Multifunction flow control + blockers

Symbol	Connection for pilot port	Thread for cylinder connection	Connection for tube Ø, mm	Tightening torque Nm	Qmax input at 6 bar, l/min*	Order code	
With push-in connection							
	Push-in, Ø4 mm	G1/8	4	8	330	PWR-HB1448	
				6	8	500	PWR-HB1468
		G1/4	6	12	500	PWR-HB1469	
				8	12	600	PWR-HB1489
		G3/8	8	30	1200	PWR-HB1483	
			10	30	1300	PWR-HB1493	
		G1/2	10	35	1400	PWR-HB1492	

* Screw closed


Compact flow regulator with push-in connection

For direct port cylinder mounting


Symbol	Thread for cylinder connection	Push-in connection Ø, mm	Order code
	M5	4	PTF8PB4M5
	G1/8	4	PTF4PB4-1/8
		6	PTF4PB6-1/8
		8	PTF4PB8-1/8
	G1/4	6	PTF4PB6-1/4
	G3/8	8	PTF4PB8-3/8
	10	PTF4PB10-3/8	
	G1/2	12	PTF4PB12-1/2

Flow regulator with adjustable exhaust restriction



For direct port cylinder mounting

Symbol	Thread for cylinder connection	Push-in connection Ø, mm	Order code
	M5	4	PTFL8PB4M5
	G1/8	4	PTFL4PB4-1/8
		6	PTFL4PB6-1/8
		8	PTFL4PB8-1/8
	G1/4	6	PTFL4PB6-1/4
		8	PTFL4PB8-1/4
		10	PTFL4PB10-1/4
	G3/8	8	PTFL4PB8-3/8
		10	PTFL4PB10-3/8
	G1/2	12	PTFL4PB12-1/2

Flow control valves with by-pass

Symbol	Thread	Number of turns	Qmax input at 6 bar, l/min	Order code
	G1/8	13	240	VQB12-Q-O-5
	G1/4	13	1320	VQB22-Q-O-5
	G1/2	13	3600	VQB42-Q-O-5


Flow control valves with by-directional control

	Symbol	Thread	Number of turns	Q _{max} input at 6 bar, l/min	Order code
		G1/8	13	72	VQB12-OX-5 *
		G1/8	13	240	VQB12-O-5
		G1/4	13	1320	VQB22-O-5
		G1/2	13	3600	VQB42-O-5 **

* Extra fine adjustment

** Low operating temp -40°C

Knob and nut for panel mounting

	To suit	Order code
	VQB12	9128177212
	VQB22	9128177222
	VQB42	9128177242

Inline speed controls, PWR-L series




For inline mounting

With push-in connection,
knob adjustment and locknut

4	PWR-L1444
6	PWR-L1466
8	PWR-L1488
10	PWR-L1499
12	PWR-L1411

Plug-in sensors


For use with banjo sockets

	Sensing function	Output function	Output connection	Output characteristics	Order code
	Exhaust back pressure decay	Pneumatic	Push-in Ø 4 mm	NO valve flow rate at 6 bar 1,5 l/s	PWS-P111
		Electrical ~ I _e = 3 A	3 wires 0,5 mm ² length 2 m	CO contact 12 to 230 V ~ / 10 VA* 12 to 48 VDC/ 5 W*	PWS-M1012
		Solid state	3 wires 0,1 mm ² length 2 m	PNP type 10/30 VDC** 75 mA	NC NO PWS-E101 PWS-E111

* Suitable for low currents : 250 V ~ / 4 mA ; 24 VDC / 10 mA ** Including ripple

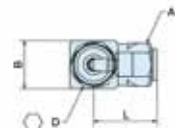
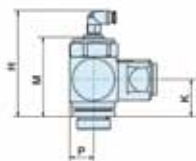
Banjo sockets for plug-in sensors

With sensor locking clip, for direct port cylinder mounting

	Thread size for cylinder port	Female thread	Tool required	Order code
	M5	M5	8 mm flat spanner	PWS-B155
	G1/8	G1/8	5 mm Allen key	PWS-B188
	G1/4	G1/4	8 mm Allen key	PWS-B199
	G3/8	G3/8	10 mm Allen key	PWS-B133
	G1/2	G1/2	12 mm Allen key	PWS-B122

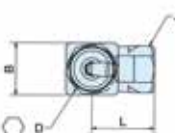
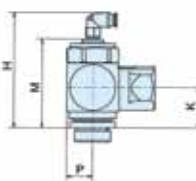
Dimensions (mm)

Blocker with push-in connection



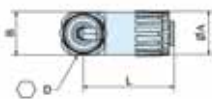
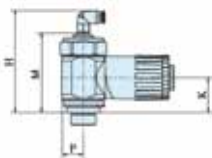
Order code	A	B	D	H	K	L	P	M
PWB-A1468	∅ 22	21	21	59,0	16,5	39	11	43
PWB-A1469	∅ 22	21	21	59,0	16,5	39	11	43
PWB-A1489	∅ 22	21	21	59,0	16,5	39	11	43
PWB-A1483	□ 27	30	27	66,5	22,5	39	15	52
PWB-A1493	□ 27	30	27	66,5	22,5	39	15	52
PWB-A1412	□ 27	30	27	66,5	22,5	39	15	52

Blocker with threaded connection



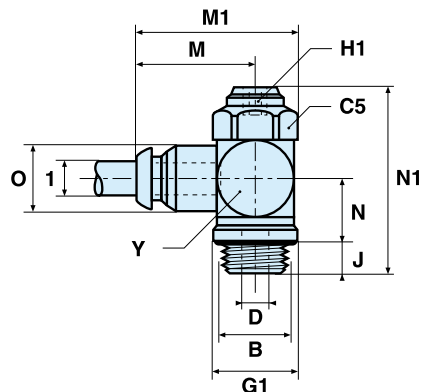
Order code	A	B	D	H	K	L	C	P	M
PWB-A1898	∅ 22	21	21	59,0	16,5	43,5	∅24	11	43
PWB-A1899	∅ 22	21	21	59,0	16,5	43,5	∅24	11	43
PWB-A1833	□ 27	30	27	66,5	22,5	36,0	□27	15	52
PWB-A1822	□ 27	30	27	66,5	22,5	36,0	□27	15	52

Blocker/Flow regulator



Order code	∅A	B	D	H	K	L	P
PWR-HB1448	22,5	21	21	59	16,5	47,0	12,5
PWR-HB1468	22,5	21	21	59	16,5	47,0	12,5
PWR-HB1469	22,5	21	21	59	16,5	47,0	12,5
PWR-HB1489	22,5	21	21	59	16,5	47,0	12,5
PWR-HB1483	29,0	30	27	64,5	22,5	60,0	15,0
PWR-HB1493	29,0	30	27	64,5	22,5	60,0	15,0
PWR-HB1492	29,0	30	27	64,5	22,5	60,0	15,0

PTF4/8PB - Flow regulator with push-in connection

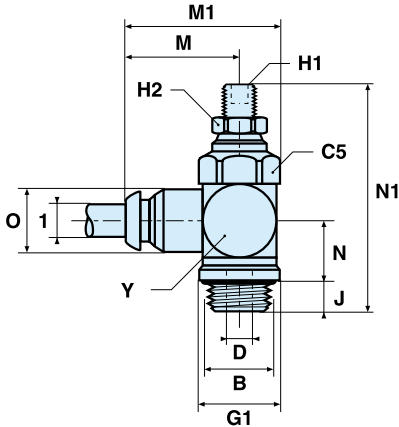


Order code	C5	D	G1	H1	J	M	M1	N	N1	O	Y
PTF8PB4M5**	8	1,65	10,0	1,5	4	19,5	24,5	6,3	22,0	10	10
PTF4PB4-1/8	14	3,00	14,4	2,0	6	22,0	30,1	10,7	34,5	10	14
PTF4PB6-1/8	14	3,20	14,4	2,0	6	23,5	31,6	10,7	34,5	12	14
PTF4PB6-1/4	17	5,20	18,4	4,0	7	25,0	34,9	13,8	41,0	12	17
PTF4PB8-1/8	14	3,20	14,4	2,0	6	25,0	33,1	10,7	34,5	14	14
PTF4PB10-3/8	22	6,00	21,6	4,0	7	34,0	46,7	17,3	51,0	17	22
PTF4PB12-1/2	27	8,50	26,5	4,0	9	36,5	52,1	20,1	61,0	20	27

Exhaust flow control

Dimensions (mm)

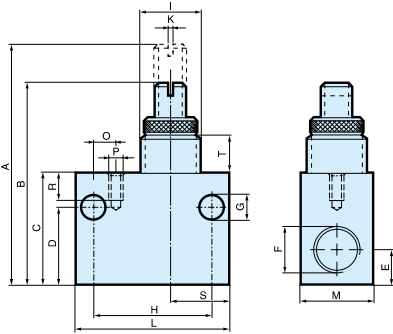
PTFL4/8PB - Flow regulator with push-in connection



Exhaust flow control

Order code	C5	D	G1	H1	H2	J	M	M1	N	N1	O	Y
PTFL8PB4M5**	8	1,65	10,0	1,5	8	4	19,5	24,5	6,3	28,5	10	10
PTFL4PB4-1/8	14	3,00	14,4	2,0	7	6	22,0	30,1	10,7	43,7	10	14
PTFL4PB6-1/8	14	3,20	14,4	2,0	7	6	23,5	31,6	10,7	43,7	12	14
PTFL4PB6-1/4	17	5,20	18,4	4,0	11	7	25,0	34,9	13,8	51,8	12	17
PTFL4PB8-1/8	14	3,20	14,4	2,0	7	6	25,0	33,1	10,7	43,7	14	14
PTFL4PB8-1/4	17	5,20	18,4	4,0	11	7	28,5	38,3	13,8	51,8	14	17
PTFL4PB8-3/8	22	6,00	21,6	4,0	11	7	29,5	42,2	17,3	63,7	14	22
PTFL4PB10-3/8	22	6,00	21,6	4,0	11	7	34,0	46,7	17,3	63,7	17	22
PTFL4PB12-1/2	27	8,50	26,5	4,0	14	9	36,5	52,1	20,1	76,1	20	27

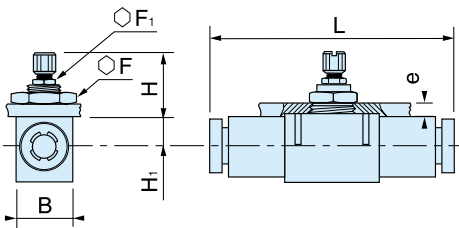
Flow Control Valves



Order code	A	B	C	D	E	F	G	H	I
VQB12-(Q)-OX-5	49	42	22	15	6,5	G1/8	5,8	24	M12x1
VQB12-(Q)-O-5	49	42	22	15	6,5	G1/8	5,8	24	M12x1
VQB22-(Q)-O-5	64	53	30	21	8,5	G1/4	7,0	32	M16x1
VQB42-(Q)-O-5	99	85	50	36	16,5	G1/2	7,0	50	M24x1,5

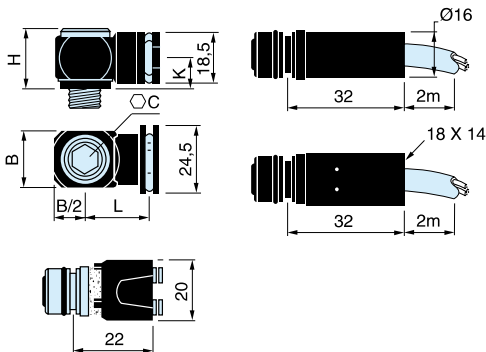
Order code	K	L	M	O	P	R	S	T
VQB12-(Q)-OX-5	1,2	32	15	-	-	-	13,5	8,8
VQB12-(Q)-O-5	1,2	32	15	-	-	-	13,5	8,8
VQB22-(Q)-O-5	1,2	42	20	6,0	M4	7	16,0	10,0
VQB42-(Q)-O-5	1,8	62	30	19,5	M4	7	20,5	15,2

Speed Controls, PWR-L Series



Order code	B	F	F1	e	H+	H-	H1	L	Q
PWR-L1444	12,0	14	*	6	25,5	21,5	6,5	39,0	10,5
PWR-L1466	17,0	19	*	7	32,5	27,5	7,5	54,0	17,0
PWR-L1488	18,5	24	11	7	34,5	28,5	9,0	60,5	19,0
PWR-L1499	24,0	30	14	7	38,5	29,5	11,5	76,0	25,0
PWR-L1411	28,0	32	14	8	42,0	32,0	12,5	86,0	28,0

Back Pressure Sensors - Modular



Order code	C	B	H	K	L
PWS-B155	8	11	16,5	10	17
PWS-B188	5	16	20,0	10	20
PWS-B199	8	21	20,0	10	22
PWS-B133	10	28	22,0	12	25
PWS-B122	12	33	26,0	14	26

- Micrometer type adjustment
- Fine control
- Non-return and needle valves



- Screw driver adjustment
- Rugged bodies
- High flow rate
- High flow by-pass
- Wide range of sizes



Operating and additional information

Micrometer flow control valves

Operating pressure: 0 to 17 bar
 Operating temperature: -40°C to +80°C
 Body material: Brass
 Control knob: Aluminium
 Adjustment mode: Knurled knob

Heavy duty inline flow control valves

Operating pressure: 0 to 17 bar for air or oil
 Operating temperature: -18°C to +82°C
 Body material: Brass
 Control knob: Brass
 Adjustment mode: Screw driver adjustment

Flow Control with By-pass



Symbol



Thread	Number of turns	Qmax input at 6 bar, l/min	Weight g	Order code
G1/8	5	300	76	337A
G1/4	6	780	134	337B

Flow Control with By-directional Control

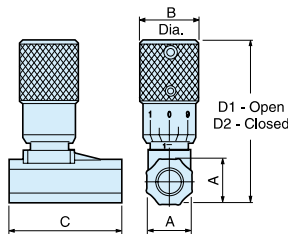


Symbol



Thread	Number of turns	Qmax input at 6 bar, l/min	Weight g	Order code
G1/8	5	300	78	338A
G1/4	6	780	132	338B

Micrometer Flow Control Valves - Dimensions

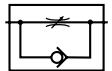


Order code	Port size	Dimensions (mm)				
		A	B	C	D1 open	D2 closed
337A	G1/8	14,5	19	37,5	51,5	46
337B	G1/4	17,5	19	37,5	58	51
338A	G1/8	14,5	19	37,5	51,5	46
338B	G1/4	17,5	19	37,5	58	51

Standard type

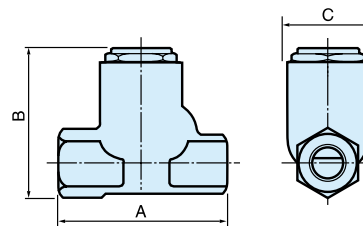


Symbol



Thread	Number of turns	Qmax input at 6 bar, l/min	Weight g	Order code
G1/8	6	1320	114	B3250X
G1/4	5	2880	224	B3250AB
G3/8	5	6300	378	B3250BB
G1/2	5	7680	792	B3250CB
G3/4	4,5	10680	1300	B3250DB

Flow Control Valves, Standard Type



Order code	Port size	Dimensions (mm)		
		A	B	C
B3250X	G1/8	44	40	21
B3250AB	G1/4	57	51	28
B3250BB	G3/8	68	64	35
* B3250CB	G1/2	79	78	41
B3250DB	G3/4	90	92	51

* Low operating temperature -40°C @ 10 bar

Quick Exhaust Valves

- Increases piston speeds, super sensitive diaphragm.
- May be used as differential shuttle valve.

Shuttle Valves

- Allows two separate signals to be applied to the air pilot.
- 0,6 bar differential, Viton seals as standard.

Non Return Valves

- Aluminium or polymer bodies
- Compact



Operating information

Shuttle valve •••005

Working pressure 1,3 - 17 bar
 Working temperature; Standard -10 °C to +180 °C

Quick exhaust valve P4Q

Working pressure: 0,2 - 10 bar
 Working temperature; Standard: -10 °C to +80 °C

VB

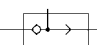
Working pressure Max 10 bar
 Working temperature -20 °C to +70 °C

PWA-L

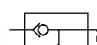
Working pressure 0,2 - 10 bar
 Working temperature; -15 °C to +60 °C

For more information see www.parker.com/euro_pneumatic

Shuttle Valves


Symbol	Port size	Order code
	M5	M33005
	G1/8	B43005B
	G1/4	B53005A
	G1/4	B53005BS5 (-40°C to +80°C)

Quick Exhaust Valves P4Q Series


Symbol	Port size	Order code
	Standard Version	
	G1/4	P4Q-BA12
	G3/8	P4Q-BA13
	G1/2	P4Q-CA14
	G3/4	P4Q-CA16
	High Temperature Version (Fluorocarbon diaphragm)	
	G3/8	P4Q-BV13
	G1/2	P4Q-CV14
	G3/4	P4Q-CV16

Non Return Valves

Aluminium VB Series

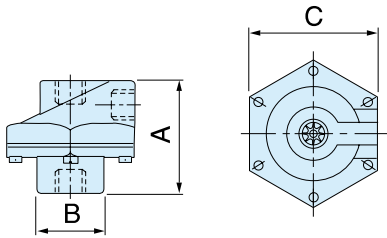
Symbol	Port size	Order code
	G1/8	VB12-Q-NQ-5
	G1/4	VB22-Q-NQ-5
	G1/2	VB42-Q-NQ-5
	G1/2	VB42-S50897 (Viton - dry assembly)

Line mounted non-return valves

Symbol	Push-in connection Ø, mm	Flow rate 6 bar, l/s	Order code
	4	3,33	PWA-L1444
	6	11,00	PWA-L1466
	8	26,67	PWA-L1488

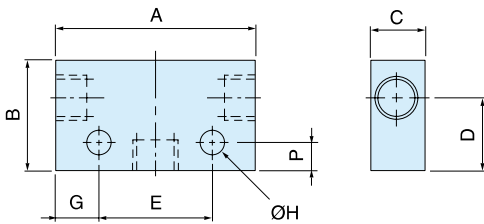
Dimensions (mm)

Quick Exhaust Valves



Order code	Port Size	A	B	C
P4Q-B*12	G1/4	52	25	62
P4Q-B*13	G3/8	52	25	62
P4Q-B*14	G1/2	73	38	86
P4Q-B*16	G3/4	73	38	86

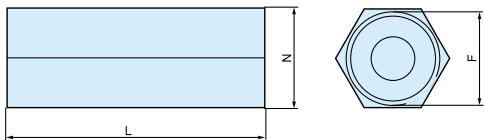
Shuttle Valves



Order code	Port Size	A	B	C	D	E	F	G	H
M33005	M5	27,5	24	15	16,0	15	6	6,3	3,2
B43005B	G1/8	44,0	24	15	16,0	25	6	9,5	4,5
* B53005A	G1/4	52,0	30	22	20,5	35	10	8,5	5,5

* Dimensions as B53005BS5

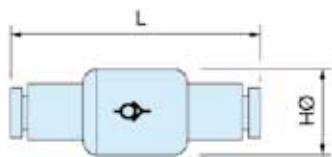
Non Return Valves - VB - Female



Order code	F	L	N
VB12-Q-NQ-5	G1/8	31	14
VQB22-Q-NQ-5	G1/4	40	17
* VB42-Q-NQ-5	G1/2	59	27

* Dimensions as VB42 / S50897

Non Return Valves - Push-in



Order code	ØH	L
PWA-L1444	11,0	43,0
PWA-L1466	13,0	49,5
PWA-L1488	13,5	55,0

- All plastic ultra light weight versions
- Sintered metal
- All metal versions for heavy duty applications
- Versions with push-in connections
- High noise level reduction
- Low back pressure generation



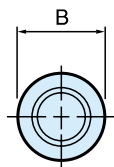
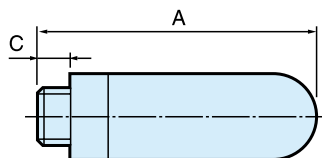
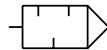
Operating and additional information

Plastic	Working temperature:	-10°C to +80°C		
	Efficiency	92%		
Metal	Working temperature:	-10°C to +74°C	Working pressure	up to 17 bar

P6M-P Plastic Series



Symbol



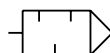
Dimensions (mm)

Port thread	A	Ø B	C	Weight g	Order code
M5	23	6,5	4	0,01	P6M-PAC5
G1/8	29	14	6	0,02	P6M-PAB1
G1/4	34	17	6	0,04	P6M-PAB2
G3/8	60	25	9	0,06	P6M-PAB3
G1/2	64	25	11	0,10	P6M-PAB4
G3/4	140	38	14	0,50	P6M-PAB6
G1	160	48	20	0,62	P6M-PAB8

Push-in Series

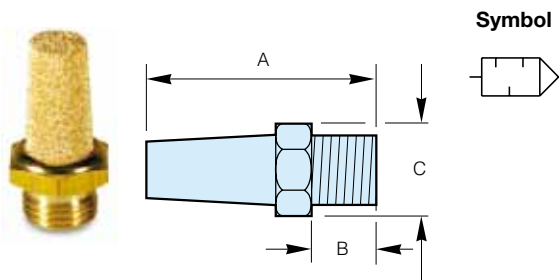


Symbol



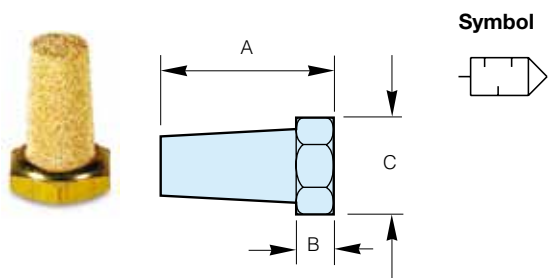
Port mm	Height on Push-in	Weight g	Order code
4	20,0	0,040	PXC-X14
6	35,5	0,025	PZC-S1006
8	34,0	0,030	PZC-S1008

Sintered bronze Series



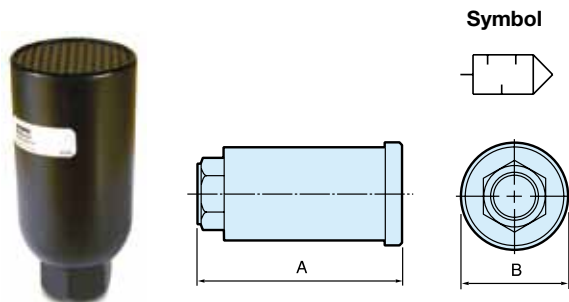
Port thread	A	B	A/F C	Weight g	Order code
M5	23	6,5	4	0,003	9721900005
G1/8	24	10	12	0,009	9090050700
G1/4	32	11	16	0,019	P6M-BAA2
G3/8	43	13	21	0,041	9090050900
G1/2	60	16	24	0,068	9090051000
G3/4	75	10	32	0,126	9090051100
G1	77	12	37	0,188	9090051500

Sintered Bronze Series (female)



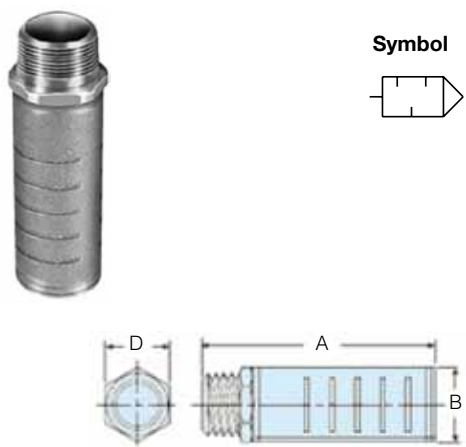
Port mm	A	Ø B	A/F C	Weight g	Order code
G1/8	15	8	13	0,060	9721900404

Heavy Duty Series



Port Female	A	Ø B	Weight g	Order code
G3/8	83	37	0,124	P6M-MA13
G1/2	105	51	0,362	P6M-MA14
G3/4	143	73	0,670	P6M-MA16
G1	143	73	0,666	P6M-MA18

Self Cleaning, 48 Series



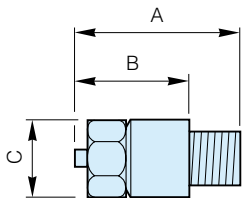
Port thread	A	Ø B	A/F E	Order code
R1/8	47	21	16 (5/8")	ESB12MC
R1/4	47	21	16 (5/8")	ESB25MC
R3/8	84	32	25.4 (1")	ESB37MC
R1/2	84	32	25.4 (1")	ESB50MC
R3/4	116	52	41.2 (1-5/8")	ESB75MC
R1	116	52	41.2 (1-5/8")	ESB100MC
R1-1/4	145	73.5	-	ESB125MC
R1-1/2	145	73.5	-	ESB150MC

Restrictors - Silencers

- Stainless steel or plastic versions
- Screwdriver adjustment
- Simple control of cylinder speeds
- High noise level reduction



Sintered Plastic Series



Symbol



Port thread	A	B	Ø C	Order code
G1/8	23	16	7	9301050901
G1/4	32	23	9	9301050902
G3/8	40	30	10	9301050903
G1/2	50	38	12	9301050904

Sintered Stainless Steel Series



Symbol



Port thread	Overall length	Ø	A/F	Order code
G1/8	33	16	13,0	9126900195
G1/4	36	20	17,0	9126900196

**Reclassifier - Silencers
Metal Series, Repairable and
Disposable versions**

- Removes oil mist from exhaust airs
- Efficiently silences exhaust air
- Improves working conditions



Operating and additional information

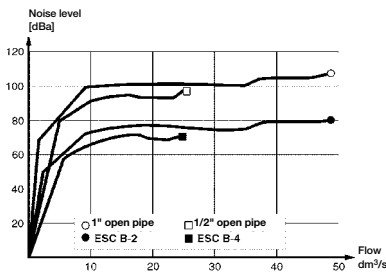
Metal repairable version

Working temperature	0 °C to 66 °C max.
Working pressure	Max 7 bar
Efficiency	Better than 99%
Maximum flow rate	G1/2, G3/4 small unit 27,8 dm³/s G3/4, G1 large unit 50 dm³/s

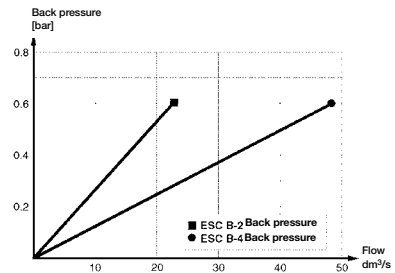
Disposable version

Working temperature	0° C to 52 °C max.
Working pressure	Max 7 bar
Efficiency	Better than 99%
Maximum flow rate	See graph

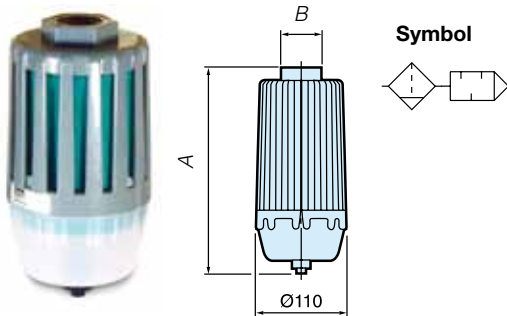
**Disposable version
Flow vs. Noise level**



Flow vs. Back pressure



Metal Repairable Series



Port thread	Type	A	Ø	A/F B	Weight kg	Order code
G1/2	Small	182	110	50	0,572	3514S
G3/4	Small	182	110	50	0,592	3516S
G3/4	Large	297	110	55	1,100	3516
G1	Large	297	110	55	1,100	3518

Replacement Element	Weight kg	Order code
Small	0,200	3514S-2
Large	0,200	3516-2

Manifold for Metal Repairable version



Number of ports	Weight kg	Order code
5	0,270	M3516-5
7	0,432	M3516-7
9	0,574	M3516-9
13	0,870	M3516-13

The manifold is available for G3/4 sizes only.



Fittings, tubing and couplers

LF 3000: Polymer Push-In Fittings - Threaded

-20°C to +80°C
20 bar max. (vacuum 755 mmHg)

3101 Male Stud Fitting BSPP & M5



ØD	C	Order code
4	M5 x 0.8	3101 04 19
4	G1/8	3101 04 10
4	G1/4	3101 04 13
6	M5 x 0.8	3101 06 19
6	G1/8	3101 06 10
6	G1/4	3101 06 13
6	G3/8	3101 06 17
8	G1/8	3101 08 10
8	G1/4	3101 08 13
8	G3/8	3101 08 17
10	G1/4	3101 10 13
10	G3/8	3101 10 17
10	G1/2	3101 10 21
12	G3/8	3101 12 17
12	G1/2	3101 12 21
14	G3/8	3101 14 17
14	G1/2	3101 14 21
16	G3/8	3101 16 17
16	G1/2	3101 16 21

New

3175 Male Stud Fitting BSPT



ØD	C	Order code
4	R1/8	3175 04 10
4	R1/4	3175 04 13
6	R1/8	3175 06 10
6	R1/4	3175 06 13
6	R3/8	3175 06 17
6	R1/2	3175 06 21
8	R1/8	3175 08 10
8	R1/4	3175 08 13
8	R3/8	3175 08 17
10	R1/4	3175 10 13
10	R3/8	3175 10 17
10	R1/2	3175 10 21
12	R3/8	3175 12 17
12	R1/2	3175 12 21
14	R3/8	3175 14 17
14	R1/2	3175 14 21
16	R3/8	3175 16 17
16	R1/2	3175 16 21

New

3114 Female Stud Fitting BSPP & M5



ØD	C	Order code
4	M5 x 0.8	3114 04 19
4	G1/8	3114 04 10
4	G1/4	3114 04 13
6	G1/8	3114 06 10
6	G1/4	3114 06 13
8	G1/8	3114 08 10
8	G1/4	3114 08 13
10	G1/4	3114 10 13
10	G3/8	3114 10 17
10	G1/2	3114 10 21
12	G3/8	3114 12 17
12	G1/2	3114 12 21
14	G3/8	3114 14 17
16	G1/2	3114 16 21

New

3199 Male Stud Elbow, BSPP & M5



ØD	C	Order code
4	M5 x 0.8	3199 04 19
4	G1/8	3199 04 10
4	G1/4	3199 04 13
6	M5 x 0.8	3199 06 19
6	G1/8	3199 06 10
6	G1/4	3199 06 13
6	G3/8	3199 06 17
8	G1/8	3199 08 10
8	G1/4	3199 08 13
8	G3/8	3199 08 17
8	G1/2	3199 08 21
10	G1/4	3199 10 13
10	G3/8	3199 10 17
10	G1/2	3199 10 21
12	G1/4	3199 12 13
12	G3/8	3199 12 17
12	G1/2	3199 12 21
14	G3/8	3199 14 17
14	G1/2	3199 14 21
16	G3/8	3199 16 17
16	G1/2	3199 16 21

New

3169 Extended Male Stud Elbow, BSPP & M5



ØD	C	Order code
4	M5 x 0.8	3169 04 19
4	G1/8	3169 04 10
4	G1/4	3169 04 13
6	M5 x 0.8	3169 06 19
6	G1/8	3169 06 10
6	G1/4	3169 06 13
8	G1/8	3169 08 10
8	G1/4	3169 08 13
8	G3/8	3169 08 17
10	G1/4	3169 10 13
10	G3/8	3169 10 17
10	G1/2	3169 10 21
12	G1/4	3169 12 13
12	G3/8	3169 12 17
12	G1/2	3169 12 21
14	G3/8	3169 14 17
14	G1/2	3169 14 21
16	G3/8	3169 16 17
16	G1/2	3169 16 21

New

LF 3000: Polymer Push-In Fittings - Threaded

-20°C to +80°C
20 bar max. (vacuum 755 mmHg)

3129 Extended Male Stud Elbow, BSPT



ØD	C	Order code
4	R1/8	3129 04 10
4	R1/4	3129 04 13
6	R1/8	3129 06 10
6	R1/4	3129 06 13
8	R1/8	3129 08 10
8	R1/4	3129 08 13
8	R3/8	3129 08 17
10	R1/4	3129 10 13
10	R3/8	3129 10 17
10	R1/2	3129 10 21
12	R1/4	3129 12 13
12	R3/8	3129 12 17
12	R1/2	3129 12 21
14	R3/8	3129 14 17
14	R1/2	3129 14 21

3108 Male Stud Branch Tee, BSPT



ØD	C	Order code
4	R1/8	3108 04 10
4	R1/4	3108 04 13
6	R1/8	3108 06 10
6	R1/4	3108 06 13
8	R1/8	3108 08 10
8	R1/4	3108 08 13
8	R3/8	3108 08 17
10	R1/4	3108 10 13
10	R3/8	3108 10 17
10	R1/2	3108 10 21
12	R1/4	3108 12 13
12	R3/8	3108 12 17
12	R1/2	3108 12 21
14	R3/8	3108 14 17
14	R1/2	3108 14 21
New 16	R3/8	3108 16 17
New 16	R1/2	3108 16 21

3109 Male Stud Elbow, BSPT



ØD	C	Order code
4	R1/8	3109 04 10
4	R1/4	3109 04 13
4	R3/8	3109 04 17
6	R1/8	3109 06 10
6	R1/4	3109 06 13
6	R3/8	3109 06 17
8	R1/8	3109 08 10
8	R1/4	3109 08 13
8	R3/8	3109 08 17
8	R1/2	3109 08 21
10	R1/8	3109 10 10
10	R1/4	3109 10 13
10	R3/8	3109 10 17
10	R1/2	3109 10 21
12	R1/4	3109 12 13
12	R3/8	3109 12 17
12	R1/2	3109 12 21
14	R3/8	3109 14 17
14	R1/2	3109 14 21
New 16	R3/8	3109 16 17
New 16	R1/2	3109 16 21

3198 Male Stud Branch Tee BSPP & M5



ØD	C	Order code
4	M5 x 0.8	3198 04 19
4	G1/8	3198 04 10
4	G1/4	3198 04 13
6	M5 x 0.8	3198 06 19
6	G1/8	3198 06 10
6	G1/4	3198 06 13
8	G1/8	3198 08 10
8	G1/4	3198 08 13
8	G3/8	3198 08 17
10	G1/4	3198 10 13
10	G3/8	3198 10 17
10	G1/2	3198 10 21
12	G1/4	3198 12 13
12	G3/8	3198 12 17
12	G1/2	3198 12 21
14	G3/8	3198 14 17
14	G1/2	3198 14 21
New 16	G3/8	3198 16 17
New 16	G1/2	3198 16 21

3192 Female Stud Elbow BSPP



ØD	C	Order code
4	G1/8	3192 04 10
4	G1/4	3192 04 13
6	G1/8	3192 06 10
6	G1/4	3192 06 13
8	G1/8	3192 08 10
8	G1/4	3192 08 13
8	G3/8	3192 08 17
10	G1/4	3192 10 13
10	G3/8	3192 10 17
10	G1/2	3192 10 21
12	G1/2	3192 12 21

LF 3000: Polymer Push-In Fittings - Threaded

-20°C to +80°C
20 bar max. (vacuum 755 mmHg)

3133 45° Male Elbow, BSPP & M5



ØD	C	Order code
4	M5 x 0.8	3133 04 19
4	G1/8	3133 04 10
6	M5 x 0.8	3133 06 19
6	G1/8	3133 06 10
6	G1/4	3133 06 13
8	G1/8	3133 08 10
8	G1/4	3133 08 13
8	G3/8	3133 08 17
10	G1/4	3133 10 13
10	G3/8	3133 10 17
10	G1/2	3133 10 21
12	G1/4	3133 12 13
12	G3/8	3133 12 17
12	G1/2	3133 12 21

3103 Male Stud Run Tee, BSPT



ØD	C	Order code
4	R1/8	3103 04 10
4	R1/4	3103 04 13
6	R1/8	3103 06 10
6	R1/4	3103 06 13
8	R1/8	3103 08 10
8	R1/4	3103 08 13
8	R3/8	3103 08 17
10	R1/4	3103 10 13
10	R3/8	3103 10 17
10	R1/2	3103 10 21
12	R1/4	3103 12 13
12	R3/8	3103 12 17
12	R1/2	3103 12 21
14	R3/8	3103 14 17
14	R1/2	3103 14 21
16	R3/8	3103 16 17
16	R1/2	3103 16 21

New

3113 45° Male Elbow, BSPT



ØD	C	Order code
4	R1/8	3113 04 10
6	R1/8	3113 06 10
6	R1/4	3113 06 13
8	R1/8	3113 08 10
8	R1/4	3113 08 13
8	R3/8	3113 08 17
10	R1/4	3113 10 13
10	R3/8	3113 10 17
10	R1/2	3113 10 21
12	R1/4	3113 12 13
12	R3/8	3113 12 17
12	R1/2	3113 12 21

3121 Male Standpipe BSPT



ØD	C	Order code
4	R1/8	3121 04 10
4	R1/4	3121 04 13
6	R1/8	3121 06 10
6	R1/4	3121 06 13
8	R1/8	3121 08 10
8	R1/4	3121 08 13
8	R3/8	3121 08 17
10	R1/4	3121 10 13
10	R3/8	3121 10 17
10	R1/2	3121 10 21
12	R3/8	3121 12 17
12	R1/2	3121 12 21
14	R1/2	3121 14 21

3193 Male Stud Run Tee, BSPP & M5



ØD	C	Order code
4	M5 x 0.8	3193 04 19
4	G1/8	3193 04 10
4	G1/4	3193 04 13
6	M5 x 0.8	3193 06 19
6	G1/8	3193 06 10
6	G1/4	3193 06 13
8	G1/8	3193 08 10
8	G1/4	3193 08 13
8	G3/8	3193 08 17
10	G1/4	3193 10 13
10	G3/8	3193 10 17
10	G1/2	3193 10 21
12	G1/4	3193 12 13
12	G3/8	3193 12 17
12	G1/2	3193 12 21
14	G3/8	3193 14 17
14	G1/2	3193 14 21
16	G3/8	3193 16 17
16	G1/2	3193 16 21

New

3131 Male Standpipe BSPP



ØD	C	Order code
4	M5 x 0.8	3131 04 19
4	G1/8	3131 04 10
4	G1/4	3131 04 13
6	G1/8	3131 06 10
6	G1/4	3131 06 13
8	G1/8	3131 08 10
8	G1/4	3131 08 13
8	G3/8	3131 08 17
10	G1/4	3131 10 13
10	G3/8	3131 10 17
10	G1/2	3131 10 21
12	G3/8	3131 12 17
12	G1/2	3131 12 21
14	G3/8	3131 14 17
14	G1/2	3131 14 21

LF 3000: Polymer Push-In Fittings - Threaded

-20°C to +80°C
20 bar max. (vacuum 755 mmHg)

3158 "Y" piece, BSPP & M5



ØD	C	Order code
4	M5 x 0.8	3158 04 19
4	G1/8	3158 04 10
4	G1/4	3158 04 13
6	M5 x 0.8	3158 06 19
6	G1/8	3158 06 10
6	G1/4	3158 06 13
8	G1/8	3158 08 10
8	G1/4	3158 08 13
8	G3/8	3158 08 17
10	G1/4	3158 10 13
10	G3/8	3158 10 17
10	G1/2	3158 10 21
12	G3/8	3158 12 17
12	G1/2	3158 12 21

3119 Double banjo, BSPP & M5



ØD	C	Order code
4	M5 x 0.8	3119 04 19
4	G1/8	3119 04 10
6	G1/8	3119 06 10
6	G1/4	3119 06 13
8	G1/4	3119 08 13
8	G3/8	3119 08 17
10	G3/8	3119 10 17

3132 Male Double "Y" BSPP



ØD	C	Order code
4	G1/8	3132 04 10
4	G1/4	3132 04 13
6	G1/8	3132 06 10
6	G1/4	3132 06 13

3124 Single Banjo with Female, BSPP & M5



ØD	C	Order code
4	M5 x 0.8	3124 04 19
4	G1/8	3124 04 10
6	G1/4	3124 06 13
8	G3/8	3124 08 17

3118 Single Banjo, BSPP & M5



ØD	C	Order code
4	M5 x 0.8	3118 04 19
4	G1/8	3118 04 10
6	M5 x 0.8	3118 06 19
6	G1/8	3118 06 10
6	G1/4	3118 06 13
8	G1/8	3118 08 10
8	G1/4	3118 08 13
8	G3/8	3118 08 17
10	G1/4	3118 10 13
10	G3/8	3118 10 17
10	G1/2	3118 10 21
12	G3/8	3118 12 17
12	G1/2	3118 12 21

3189 Oscillating Compact Elbow, BSPP



ØD	C	Order code
4	G1/8	3189 04 10
6	G1/8	3189 06 10
6	G1/4	3189 06 13
8	G1/8	3189 08 10
8	G1/4	3189 08 13
8	G3/8	3189 08 17
10	G1/4	3189 10 13
10	G3/8	3189 10 17
12	G1/4	3189 12 13
12	G3/8	3189 12 17

3149 Double Banjo, BSPP & M5



ØD	C	Order code
4	M5 x 0.8	3149 04 19
4	G1/8	3149 04 10
4	G1/4	3149 04 13
6	G1/8	3149 06 10
6	G1/4	3149 06 13
6	G3/8	3149 06 17
8	G1/4	3149 08 13
8	G3/8	3149 08 17
10	G3/8	3149 10 17

3391 Self-Sealing Male Stud Fitting, BSPP



ØD	C	Order code
4	G1/8	3391 04 10
6	G1/8	3391 06 10
8	G1/8	3391 08 10
8	G1/4	3391 08 13
10	G3/8	3391 10 17

LF 3000: Polymer Push-In Fittings - Union

-20°C to +80°C
20 bar max. (vacuum 755 mmHg)

3102 Equal Elbow



New

ØD	Order code
4	3102 04 00
6	3102 06 00
8	3102 08 00
10	3102 10 00
12	3102 12 00
14	3102 14 00
16	3102 16 00

3140 Single "Y" piece - Equal & Unequal



ØD1	ØD2	Order code
4	4	3140 04 00
4	6	3140 04 06
6	6	3140 06 00
6	8	3140 06 08
8	8	3140 08 00

3104 Tee - Equal & Unequal



New

ØD1	ØD2	Order code
4	4	3104 04 00
4	6	3104 04 06
6	4	3104 06 04
6	6	3104 06 00
6	8	3104 06 08
8	6	3104 08 06
8	8	3104 08 00
8	10	3104 08 10
10	8	3104 10 08
10	10	3104 10 00
10	12	3104 10 12
12	10	3104 12 10
12	12	3104 12 00
14	8	3104 14 08
14	14	3104 14 00
16	16	3104 16 00
16	12	3104 16 12

3144 Multiple "Y" piece -Equal & Unequal



ØD1	ØD2	Order code
4	4	3144 04 04
4	6	3144 04 06
6	6	3144 06 06
6	8	3144 06 08

3304 Unequal Multiple Tee



ØD1	ØD2	Order code
6	4	3304 06 04
8	4	3304 08 04
8	6	3304 08 06
10	6	3304 10 06
10	8	3304 10 08

3106 Tube/Tube Connector - Equal & Unequal



New

ØD1	ØD2	Order code
4	4	3106 04 00
4	6	3106 04 06
4	8	3106 04 08
6	6	3106 06 00
6	8	3106 06 08
6	10	3106 06 10
8	8	3106 08 00
8	10	3106 08 10
8	12	3106 08 12
10	10	3106 10 00
10	12	3106 10 12
12	12	3106 12 00
12	14	3106 12 14
14	14	3106 14 00
16	16	3106 16 00
16	12	3106 16 12

3306 Unequal Multiple Elbow



ØD1	ØD2	Order code
6	4	3306 06 04
8	4	3306 08 04
8	6	3306 08 06
10	6	3306 10 06
10	8	3306 10 08

3107 Cross - Equal & Unequal



ØD1	ØD2	Order code
4	4	3107 04 00
4	6	3107 04 06
6	6	3107 06 00
6	8	3107 06 08
8	8	3107 08 00

LF 3000: Polymer Push-In Fittings - Union

-20°C to +80°C
20 bar max. (vacuum 755 mmHg)

3310 Manifold with LF3000



ØD1	ØD2	Order code
4	G1/4	3310 04 13
6	G1/4	3310 06 13
8	G3/8	3310 08 17
10	G1/2	3310 10 21
12	G1/2	3310 12 21

3182 Plug-In Equal Compact Elbow



ØD1	ØD2	Order code
4	4	3182 04 00
6	6	3182 06 00
8	8	3182 08 00
10	10	3182 10 00
12	12	3182 12 00

3151 End Cap with Push-In Connection



ØD	Order code
4	3151 04 00
6	3151 06 00
8	3151 08 00
10	3151 10 00
12	3151 12 00

3188 Plug-In Equal Compact Tee



ØD1	ØD2	Order code
4	4	3188 04 00
6	6	3188 06 00
8	8	3188 08 00
10	10	3188 10 00
12	12	3188 12 00

3116 Equal Bulkhead Connector



ØD	Order code
4	3116 04 00
6	3116 06 00
8	3116 08 00
10	3116 10 00
12	3116 12 00
14	3116 14 00

3183 Plug-In Equal Run Tee



ØD1	ØD2	Order code
4	4	3183 04 00
6	6	3183 06 00
8	8	3183 08 00
10	10	3183 10 00
12	12	3183 12 00

3136 Female Bulkhead Connector



ØD	C	Order code
4	G1/8	3136 04 10
4	G1/4	3136 04 13
6	G1/8	3136 06 10
6	G1/4	3136 06 13
6	G3/8	3136 06 17
8	G1/8	3136 08 10
8	G1/4	3136 08 13
10	G3/8	3136 10 17
12	G3/8	3136 12 17
12	G1/2	3136 12 21
16	G3/8	3136 16 17
16	G1/2	3136 16 21

New

3166 Reducer



ØD1	ØD2	Order code
4	6	3166 04 06
4	8	3166 04 08
4	10	3166 04 10
6	8	3166 06 08
6	10	3166 06 10
6	12	3166 06 12
6	14	3166 06 14
8	10	3166 08 10
8	12	3166 08 12
8	14	3166 08 14
10	12	3166 10 12
10	14	3166 10 14
12	14	3166 12 14

3139 Equal Bulkhead Elbow



ØD	Order code
4	3139 04 00
6	3139 06 00
8	3139 08 00
10	3139 10 00
12	3139 12 00
14	3139 14 00

3168 Increaser



ØD1	ØD2	Order code
6	4	3168 06 04
8	6	3168 08 06
10	8	3168 10 08
12	10	3168 12 10

LF 3000: Polymer Push-In Fittings - Union

-20°C to +80°C
20 bar max. (vacuum 755 mmHg)

3126 Blanking Plugs



New

ØD	Order code
4	3126 04 00
6	3126 06 00
8	3126 08 00
10	3126 10 00
12	3126 12 00
14	3126 14 00
16	3126 16 00

3320 Multi-Connector Male Screw Body



o.d. tube	Number of outlets	Order code
4	2	3320 04 00 02
4	4	3320 04 00 04
4	7	3320 04 00 07
4	12	3320 04 00 12
6	2	3320 06 00 02
6	4	3320 06 00 04
6	7	3320 06 00 07
8	2	3320 08 00 02

Clip Strips for Tubes



ØD	Order code
4	Clip 04 00
6	Clip 06 00
8	Clip 08 00
10	Clip 10 00
12	Clip 12 00
14	Clip 14 00

3321 Multi-Connector Female Screw Body



o.d. tube	Number of outlets	Order code
4	2	3321 04 00 02
4	4	3321 04 00 04
4	7	3321 04 00 07
4	12	3321 04 00 12
6	4	3321 06 00 04
6	7	3321 06 00 07
8	2	3321 08 00 02

3100 Carstick



ØD	Order code
4	3100 04 00
6	3100 06 00
8	3100 08 00
10	3100 10 00
12	3100 12 00
14	3100 14 00

3329 Multi-Connector Screw Cap



Number of outlets	Order code
2	3329 00 01
4 - 7	3329 00 02
12	3329 00 03

3379 DIN Rail Connector for 2 tubes in line



ØD	Order code
4	3379 04 00
6	3379 06 00
8	3379 08 00

3381 DIN Rail Connector for 3 Tubes



ØD	Order code
4	3381 04 00
6	3381 06 00
8	3381 08 00

Multi-Connector Assembly Photo



Function Fittings: 3 mm Push-In Fittings

-15°C to +70°C
 from 18 bar max.

3281 Male Stud Fitting, M3 and M5 Thread



ØD	C	Order code
3	M3x0.5	3281 03 09
3	M5x0.8	3281 03 19

3202 Equal Elbow



ØD	Order code
3	3202 03 00

3299 Compact Male Stud Elbow, M3 and M5 Thread



ØD	C	Order code
3	M3x0.5	3299 03 09
3	M5x0.8	3299 03 19

3204 Equal Tee



ØD	Order code
3	3204 03 00

3229 Extended Male Stud Elbow, M3 and M5 Thread



ØD	C	Order code
3	M3x0.5	3229 03 09
3	M5x0.8	3229 03 19

3266 4 mm to 3 mm Reducer



ØD	Order code
3	3266 03 04

3298 Male Stud Branch Tee, M3 and M5 Thread



ØD	C	Order code
3	M3x0.5	3298 03 09
3	M5x0.8	3298 03 19

3226 Blanking Plug



ØD	Order code
3	3226 03 00

3293 Male Stud Run Tee, M3 and M5 Thread



ØD	C	Order code
3	M3x0.5	3293 03 09
3	M5x0.8	3293 03 19

3218 Single Banjo, M3 and M5 Thread



ØD	C	Order code
3	M3x0.5	3218 03 09
3	M5x0.8	3218 03 19

3206 Equal Tube/Tube Connector



ØD	Order code
3	3206 03 00

Function Fittings: Flow Control Regulators

0°C to +70°C
from 1 to 10 bar max.

7060 Compact BSPP - exhaust (A)



ØD	C	Order code
4	G1/8	7060 04 10
6	G1/8	7060 06 10
6	G1/4	7060 06 13
8	G1/8	7060 08 10
8	G1/4	7060 08 13
8	G3/8	7060 08 17
10	G1/4	7060 10 13
10	G3/8	7060 10 17
12	G3/8	7060 12 17
12	G1/2	7060 12 21

7669 Miniature BSPP & M5 - supply (B)



ØD	C	Order code
4	M5 x 0.8	7669 04 19
4	G1/8	7669 04 10
6	M5 x 0.8	7669 06 19
6	G1/8	7669 06 10
6	G1/4	7669 06 13
8	G1/8	7669 08 10
8	G1/4	7669 08 13
8	G3/8	7669 08 17

7061 Compact BSPP - supply (B)



ØD	C	Order code
4	G1/8	7061 04 10
6	G1/8	7061 06 10
6	G1/4	7061 06 13
8	G1/8	7061 08 10
8	G1/4	7061 08 13
8	G3/8	7061 08 17
10	G1/4	7061 10 13
10	G3/8	7061 10 17
12	G1/2	7061 12 21

7010 Recessed Adjust.Screw,
BSPP & M5 - exhaust (A)

ØD	C	Order code
4	M5 x 0.8	7010 04 19
4	G1/8	7010 04 10
6	M5 x 0.8	7010 06 19
6	G1/8	7010 06 10
6	G1/4	7010 06 13
8	G1/8	7010 08 10
8	G1/4	7010 08 13
8	G3/8	7010 08 17
10	G1/4	7010 10 13
10	G3/8	7010 10 17
10	G1/2	7010 10 21
12	G3/8	7010 12 17
12	G1/2	7010 12 21

7062 Compact BSPP - bi-directional (C)



ØD	C	Order code
4	G1/8	7062 04 10
6	G1/8	7062 06 10
6	G1/4	7062 06 13
8	G1/8	7062 08 10
8	G1/4	7062 08 13
8	G3/8	7062 08 17

7011 Recessed Adjust.Screw,
BSPP & M5 - supply (B)

ØD	C	Order code
4	M5 x 0.8	7011 04 19
4	G1/8	7011 04 10
6	M5 x 0.8	7011 06 19
6	G1/8	7011 06 10
6	G1/4	7011 06 13
8	G1/8	7011 08 10
8	G1/4	7011 08 13
8	G3/8	7011 08 17
10	G1/4	7011 10 13
10	G3/8	7011 10 17

7660 Miniature BSPP & M5 - exhaust (A)



ØD	C	Order code
4	M5 x 0.8	7660 04 19
4	G1/8	7660 04 10
6	M5 x 0.8	7660 06 19
6	G1/8	7660 06 10
6	G1/4	7660 06 13
8	G1/8	7660 08 10
8	G1/4	7660 08 13
8	G3/8	7660 08 17

7012 Recessed Adjust.Screw,
BSPP & M5 - bi-directional (C)

ØD	C	Order code
4	M5 x 0,8	7012 04 19
4	G1/8	7012 04 10
6	M5 x 0,8	7012 06 19
6	G1/8	7012 06 10
6	G1/4	7012 06 13
8	G1/8	7012 08 10
8	G1/4	7012 08 13
8	G3/8	7012 08 17

7662 Miniature BSPP & M5 - bi-directional (C)



ØD	C	Order code
4	M5 x 0,8	7662 04 19
4	G1/8	7662 04 10
6	M5 x 0,8	7662 06 19
6	G1/8	7662 06 10
6	G1/4	7662 06 13

Function Fittings: Flow Control Regulators

0°C to +70°C
from 1 to 10 bar max.

7040 Compact Swivel Elbow, BSPP - exhaust (A)



ØD	C	Order code
6	G1/8	7040 06 10
6	G1/4	7040 06 13
8	G1/8	7040 08 10
8	G1/4	7040 08 13
8	G3/8	7040 08 17
10	G1/4	7040 10 13
10	G3/8	7040 10 17
12	G3/8	7040 12 17
12	G1/2	7040 12 21

7041 Compact Swivel Elbow, BSPP - supply (B)



ØD	C	Order code
6	G1/4	7041 06 13
8	G1/8	7041 08 10
8	G1/4	7041 08 13

7640 Miniature BSPP & Metric - exhaust (A)



ØD	C	Order code
4	M5 x 0,8	7640 04 19
4	G1/8	7640 04 10
6	M5 x 0,8	7640 06 19
6	G1/8	7640 06 10

7649 Miniature BSPP & Metric - supply (B)



ØD	C	Order code
4	M5 x 0,8	7649 04 19
4	G1/8	7649 04 10
6	M5 x 0,8	7649 06 19
6	G1/8	7649 06 10

7770 - In-line with push-in connection, One-Way Adjust (A)



ØD	Order code
4	7770 04 00
6	7770 06 00
8	7770 08 00
10	7770 10 00
12	7770 12 00

7772 - In-line with push-in connection, Bi-directional (C)



ØD	Order code
4	7772 04 00
6	7772 06 00
8	7772 08 00

7771 In-line with Threaded Connections, BSPP, One-Way Adjust (A)



C	Order code
G1/8	7771 10 10
G1/4	7771 13 13
G3/8	7771 17 17
G1/2	7771 21 21

7776 - In-line with push-in connection, One-Way Adjust (A), Panel Mountable



ØD	Order code
4	7776 04 00
6	7776 06 00
8	7776 08 00
10	7776 10 00
12	7776 12 00

7100 Compact with push-in connection, BSPP - exhaust (A)



ØD	C	Order code
4	G1/8	7100 04 10
6	G1/8	7100 06 10
6	G1/4	7100 06 13
8	G1/8	7100 08 10
8	G1/4	7100 08 13
8	G3/8	7100 08 17
10	G1/4	7100 10 13
10	G3/8	7100 10 17
12	G3/8	7100 12 17
12	G1/2	7100 12 21
14	G1/2	7100 14 21

7101 Compact with push-in connection, BSPP - supply (B)



ØD	C	Order code
4	G1/8	7101 04 10
6	G1/8	7101 06 10
6	G1/4	7101 06 13
8	G1/8	7101 08 10
8	G1/4	7101 08 13
8	G3/8	7101 08 17

7110 Compact with Threaded Fitting, BSPP - exhaust (A)



C	Order code
G1/8	7110 10 10
G1/4	7110 13 13
G3/8	7110 17 17
G1/2	7110 21 21
G1/8	7111 10 10
G1/4	7111 13 13

Function Fittings: Flow Control Regulators

0°C to +70°C
from 1 to 10 bar max.

7111 Compact with Threaded Fitting, BSPP - supply (B)



C	Order code
G1/8	7111 10 10
G1/4	7111 13 13

7160 with Universal Brass Compression Fitting, Recessed Adjust. Screw, BSP - exhaust (A)



ØD	C	Order code
4	G1/8	7160 04 10
6	G1/8	7160 06 10
6	G1/4	7160 06 13
8	G1/8	7160 08 10
8	G1/4	7160 08 13
10	G1/4	7160 10 13
10	G3/8	7160 10 17
10	G1/2	7160 10 21
12	G3/8	7160 12 17
12	G1/2	7160 12 21

7170 In-line Flow Regulator, BSPP & M5



Body in aluminium

C	Order code
M5	7170 19 19
G1/8	7170 10 10
G1/4	7170 13 13
G3/8	7170 17 17
G1/2	7170 21 21

7762 with Universal Brass Compression Fitting, external adjust, BSPP - exhaust (A)



ØD	C	Order code
8	G1/8	7762 08 10
10	G1/4	7762 10 13
14	G3/8	7762 14 17
18	G1/2	7762 18 21

7130 Recessed Adjust.Screw, BSPP & M5 - exhaust (A)



ØD	C	Order code
4	G1/8	7130 04 10
4	M5 x 0.8	7130 04 19
6	G1/8	7130 06 10
6	G1/4	7130 06 13
6	M5 x 0.8	7130 06 19
8	G1/8	7130 08 10
8	G1/4	7130 08 13
8	G3/8	7130 08 17
10	G1/4	7130 10 13
10	G3/8	7130 10 17
10	G1/2	7130 10 21
12	G3/8	7130 12 17
12	G1/2	7130 12 21

7140 Threaded Recessed Adjust.Screw, BSPP & M5 - exhaust (A)



C	Order code
M5 x 0.8	7140 19 19
G1/8	7140 10 10
G1/4	7140 13 13
G3/8	7140 17 17
G1/2	7140 21 21

Function Fittings: Non-Return Valves

0°C to +70°C
from 1 to 10 bar max.

7996 Non-Return Valve with push-in connection



ØD	Order code
4	7996 04 00
6	7996 06 00
8	7996 08 00
10	7996 10 00
12	7996 12 00

7994 Non-Return Valve with push-in connection, BSPP & M5 -exhaust (A)



ØD	C	Order code
4	M5 x 0.8	7994 04 19
4	G1/8	7994 04 10
6	G1/8	7994 06 10
6	G1/4	7994 06 13
8	G1/8	7994 08 10
8	G1/4	7994 08 13
10	G3/8	7994 10 17
12	G3/8	7994 12 17
12	G1/2	7994 12 21

7984 Non-Return Valve with push-in connection, BSPP & M5 -supply (B)



ØD	C	Order code
4	M5 x 0,8	7984 04 19
4	G1/8	7984 04 10
6	G1/8	7984 06 10
6	G1/4	7984 06 13
8	G1/8	7984 08 10
8	G1/4	7984 08 13
10	G3/8	7984 10 17
12	G3/8	7984 12 17
12	G1/2	7984 12 21

7930 Adjustable Check Valve, Double Female and BSPP and Metric Thread



ØC	Order code
M5 X 0.8	7930 19 19
G1/8	7930 10 10
G1/4	7930 13 13
G3/8	7930 17 17
G1/2	7930 21 21

7931 Adjustable Check Valve Supply, Male/Female BSPP Thread



ØC	Order code
G1/8	7931 10 10
G1/4	7931 13 13
G3/8	7931 17 17
G1/2	7931 21 21

7932 Adjustable Check Valve Exhaust, Male/Female BSPP Thread



ØC	Order code
G1/8	7932 10 10
G1/4	7932 13 13
G3/8	7932 17 17
G1/2	7932 21 21

Function Fittings

from 1 to 10 bar max.

7892 Piloted Non-Return Valve, BSPP



New

ØD	C	Order code
6	G1/8	7892 06 10
6	G1/4	7892 06 13
8	G1/8	7892 08 10
8	G1/4	7892 08 13
8	G3/8	7892 08 17
10	G3/8	7892 10 17
10	G1/2	7892 10 21
12	G1/2	7892 12 21

7883 Blocking Fitting, Male Thread BSPP, with push-in connection & flow regulator



ØD	C	Order code
4	G1/8	7883 04 10
6	G1/8	7883 06 10
6	G1/4	7883 06 13
8	G1/4	7883 08 13
8	G3/8	7883 08 17

7894 Piloted Non-Return Valve with Flow Regulator and Exhaust, BSPP



New

ØD	C	Order code
6	G1/8	7894 06 10
6	G1/4	7894 06 13
8	G1/8	7894 08 10
8	G1/4	7894 08 13
8	G3/8	7894 08 17
10	G3/8	7894 10 17
10	G1/2	7894 10 21
12	G1/2	7894 12 21

7818 Sensor Fitting with push-in connection, pneumatic, BSPP & M5



C	Order code
M5 x 0,8	7818 04 19
G1/8	7818 04 10
G1/4	7818 04 13
G3/8	7818 04 17
G1/2	7818 04 21

7880 Blocking Fitting, Male Thread BSPP, with push-in connection



ØD	C	Order code
6	G1/8	7880 06 10
6	G1/4	7880 06 13
8	G1/4	7880 08 13
8	G3/8	7880 08 17
10	G3/8	7880 10 17
12	G1/2	7880 12 21

7818 Sensor Fitting, Threaded Fittings, pneumatic, BSPP & M5



C	Order code
G1/8	7818 19 10
G1/4	7818 19 13

7881 Blocking Fitting, Male, Threaded Port, BSPP



C1	C2	Order code
G1/8	G1/4	7881 13 10
G1/4	G1/4	7881 13 13
G3/8	G3/8	7881 17 17
G1/2	G1/2	7881 21 21

7828 Sensor Fitting, Pneumatic/Electric BSPP & M5



C	Order code
M5 x 0,8	7828 00 19
G1/8	7828 00 10
G1/4	7828 00 13
G3/8	7828 00 17
G1/2	7828 00 21

Function Fittings

from 1 to 10 bar max.

7300 Pressure Regulator Fitting with push-in connection, BSPP



ØD	C	Order code
4	G1/8	7300 04 10
6	G1/8	7300 06 10
6	G1/4	7300 06 13
8	G1/8	7300 08 10
8	G1/4	7300 08 13
8	G3/8	7300 08 17
10	G1/4	7300 10 13
10	G3/8	7300 10 17

7861 Soft Start Valve with Threaded Fitting, BSPP - for system isolating valve



C	Order code
G1/4	7861 13 13
G3/8	7861 17 17
G1/2	7861 21 21

7318 Pressure Reducer, with push-in connection, BSPP



ØD	C	Order code
6	G1/8	7318 06 10
6	G1/4	7318 06 13
8	G1/4	7318 08 13
10	G1/4	7318 10 13
10	G3/8	7318 10 17

7800 3/2 Manual Switch Operated Valve, with push-in connection BSPP & M5 (supply)



ØD	C	Order code
4	M5 x 0.8	7800 04 19
4	G1/8	7800 04 10
6	M5 x 0.8	7800 06 19
6	G1/8	7800 06 10
6	G1/4	7800 06 13
8	G1/8	7800 08 10
8	G1/4	7800 08 13
10	G1/4	7800 10 13

7316 Pressure Reducer, In-Line with push-in connection



ØD	Order code
6	7316 06 00
8	7316 08 00
10	7316 10 00

7801 3/2 Manual Switch Operated Valve, with push-in connection BSPP & M5 (control)



ØD	C	Order code
4	G1/8	7801 04 10
6	G1/8	7801 06 10
6	G1/4	7801 06 13
8	G1/8	7801 08 10
8	G1/4	7801 08 13
10	G1/4	7801 10 13

7860 Soft Start Valve with push-in connection, BSPP - for System isolating valve



ØD	C	Order code
8	G1/4	7860 08 13
10	G1/4	7860 10 13
10	G3/8	7860 10 17
12	G3/8	7860 12 17
12	G1/2	7860 12 21

7970 Elbow Quick Exhaust Valve, BSPP



C	Order code
M5	7970 19 19
G1/8	7970 10 10
G1/4	7970 13 13
G3/8	7970 17 17
G1/2	7970 21 21
G3/4	7970 27 27
G1"	7970 34 34

7870 Soft Start Valve with push-in connection, BSPP - for Control valve



ØD	C	Order code
8	G1/4	7870 08 13
10	G1/4	7870 10 13
10	G3/8	7870 10 17

7971 In-Line Quick Exhaust Valve male BSPT, female BSPP



C	Order code
G1/8	7971 10 10
G1/4	7971 13 13
G3/8	7971 17 17
G1/2	7971 21 21

Universal Compression Fittings

-40°C to +250°C / 550 bar max.
(depending on the tubing material)

0105 Male Stud Coupling, BSPT



ØD	C	Order code
6	R1/8	0105 06 10
6	R1/4	0105 06 13
8	R1/8	0105 08 10
8	R1/4	0105 08 13
8	R3/8	0105 08 17
10	R1/4	0105 10 13
10	R3/8	0105 10 17
12	R3/8	0105 12 17
12	R1/2	0105 12 21
16	R1/4	0105 16 13
18	R1/2	0105 18 21

0106 Equal Straight Coupling



ØD	Order code
4	0106 04 00
5	0106 05 00
6	0106 06 00
8	0106 08 00
10	0106 10 00
12	0106 12 00
14	0106 14 00
16	0106 16 00
18	0106 18 00
22	0106 22 00

0109 Male Stud Elbow, BSPT



ØD	C	Order code
6	R1/8	0109 06 10
6	R1/4	0109 06 13
8	R1/8	0109 08 10
8	R1/4	0109 08 13
10	R1/4	0109 10 13
10	R3/8	0109 10 17
12	R1/4	0109 12 13
12	R1/2	0109 12 21
16	R1/4	0109 16 21

0104 Equal Tee



ØD	Order code
4	0104 04 00
6	0104 06 00
8	0104 08 00
10	0104 10 00
12	0104 12 00
14	0104 14 00
15	0104 15 00
16	0104 16 00
18	0104 18 00
22	0104 22 00

0101 Male Stud Coupling, BSPP and Metric Thread



ØD	C	Order code
6	G1/8	0101 06 10
6	G1/4	0101 06 13
8	G1/8	0101 08 10
8	G1/4	0101 08 13
10	G1/4	0101 10 13
10	G3/8	0101 10 17
12	G3/8	0101 12 17
16	G1/2	0101 16 21

0102 Equal Elbow



ØD	Order code
6	0102 06 00
8	0102 08 00
10	0102 10 00
12	0102 12 00
14	0102 14 00
15	0102 15 00
16	0102 16 00
18	0102 18 00
20	0102 20 00
22	0102 22 00

0118 Single Banjo, BSPP



ØD	C	Order code
6	G1/8	0118 06 10
6	G1/4	0118 06 13
8	G1/8	0118 08 10
8	G1/4	0118 08 13
10	G1/4	0118 10 13
10	G3/8	0118 10 17
12	G3/8	0118 12 17
16	G1/2	0118 16 21

0122 Tailpiece Adaptor for Rubber Hose



ØD1	ØD2	Order code
4	4	0122 04 04
5	4	0122 05 04
6	4	0122 06 04
8	6	0122 08 06
10	7	0122 10 07
12	10	0122 12 10
14	13	0122 14 13
15	13	0122 15 13
16	13	0122 16 13
18	16	0122 18 16

LF 3600: Chemical Nickel-Plated Brass Push-In Fittings

-20°C to +150°C
30 bar max.

3601 Male Stud, BSPP & M5



ØD	C	Order code
4	M5 x 0,8	3601 04 19
4	G1/8	3601 04 10
4	G1/4	3601 04 13
6	M5 x 0,8	3601 06 19
6	G1/8	3601 06 10
6	G1/4	3601 06 13
8	G1/8	3601 08 10
8	G1/4	3601 08 13
8	G3/8	3601 08 17
10	G1/4	3601 10 13
10	G3/8	3601 10 17
10	G1/2	3601 10 21
12	G1/4	3601 12 13
12	G3/8	3601 12 17
12	G1/2	3601 12 21
14	G3/8	3601 14 17
14	G1/2	3601 14 21

3699 Male Stud Elbow, BSPP & M5



20 bar max.

ØD	C	Order code
4	M5 x 0.8	3699 04 19
4	G1/8	3699 04 10
4	G1/4	3699 04 13
6	G1/8	3699 06 10
6	G1/4	3699 06 13
8	G1/8	3699 08 10
8	G1/4	3699 08 13
8	G3/8	3699 08 17
10	G1/4	3699 10 13
10	G3/8	3699 10 17
12	G1/4	3699 12 13
12	G3/8	3699 12 17
12	G1/2	3699 12 21
14	G3/8	3699 14 17
14	G1/2	3699 14 21

3675 Male Stud, BSPT



ØD	C	Order code
4	R1/8	3675 04 10
4	R1/4	3675 04 13
6	R1/8	3675 06 10
6	R1/4	3675 06 13
8	R1/8	3675 08 10
8	R1/4	3675 08 13
8	R3/8	3675 08 17
10	R1/4	3675 10 13
10	R3/8	3675 10 17
10	R1/2	3675 10 21
12	R1/4	3675 12 13
12	R3/8	3675 12 17
12	R1/2	3675 12 21
14	R3/8	3675 14 17
14	R1/2	3675 14 21

3609 Male Stud Elbow, BSPT



20 bar max.

ØD	C	Order code
4	R1/8	3609 04 10
4	R1/4	3609 04 13
6	R1/8	3609 06 10
6	R1/4	3609 06 13
8	R1/8	3609 08 10
8	R1/4	3609 08 13
8	R3/8	3609 08 17
10	R1/4	3609 10 13
10	R3/8	3609 10 17
12	R1/4	3609 12 13
12	R3/8	3609 12 17
12	R1/2	3609 12 21
14	R3/8	3609 14 17
14	R1/2	3609 14 21

3614 Female Stud, BSPP & Metric



ØD	C	Order code
4	M5 x 0,8	3614 04 19
4	G1/8	3614 04 10
4	G1/4	3614 04 13
6	G1/8	3614 06 10
6	G1/4	3614 06 13
8	G1/8	3614 08 10
8	G1/4	3614 08 13
10	G3/8	3614 10 17
12	G3/8	3614 12 17
12	G1/2	3614 12 21

3669 Extended Male Stud Elbow, BSPP & M5



ØD	C	Order code
4	M5 x 0.8	3669 04 19
4	G1/8	3669 04 10
6	G1/8	3669 06 10
6	G1/4	3669 06 13
8	G1/8	3669 08 10
8	G1/4	3669 08 13
10	G1/4	3669 10 13
10	G3/8	3669 10 17
12	G1/4	3669 12 13
12	G3/8	3669 12 17
14	G1/2	3669 14 21

LF 3600: Chemical Nickel-Plated Brass Push-In Fittings

-20°C to +150°C
30 bar max.

3698 Male Stud Branch Tee, BSPP & M5



ØD	C	Order code
4	M5 x 0.8	3698 04 19
4	G1/8	3698 04 10
6	G1/8	3698 06 10
6	G1/4	3698 06 13
8	G1/8	3698 08 10
8	G1/4	3698 08 13
10	G1/4	3698 10 13
12	G3/8	3698 12 17
14	G1/2	3698 14 21

3606 Equal Tube to Tube Connector



ØD	Order code
4	3606 04 00
6	3606 06 00
8	3606 08 00
10	3606 10 00
12	3606 12 00
14	3606 14 00

3693 Male Stud Run Tee, BSPP & M5



ØD	C	Order code
4	M5 x 0,8	3693 04 19
4	G1/8	3693 04 10
6	G1/8	3693 06 10
6	G1/4	3693 06 13
8	G1/8	3693 08 10
8	G1/4	3693 08 13
10	G1/4	3693 10 13
12	G3/8	3693 12 17
14	G1/2	3693 14 21

3616 Equal Bulkhead Connector



ØD	Order code
4	3616 04 00
6	3616 06 00
8	3616 08 00
10	3616 10 00
12	3616 12 00
14	3616 14 00

3636 Female Bulkhead Connector, BSPP



ØD	C	Order code
4	G1/8	3636 04 10
6	G1/8	3636 06 10
6	G1/4	3636 06 13
8	G1/8	3636 08 10
8	G1/4	3636 08 13
10	G3/8	3636 10 17
12	G3/8	3636 12 17
12	G1/2	3636 12 21

3618 Single Banjo, BSPP & M5



ØD	C	Order code
4	M5 x 0.8	3618 04 19
4	G1/8	3618 04 10
6	M5 x 0.8	3618 06 19
6	G1/8	3618 06 10
6	G1/4	3618 06 13
8	G1/8	3618 08 10
8	G1/4	3618 08 13
10	G3/8	3618 10 17

3639 Equal Bulkhead Elbow



ØD	Order code
4	3639 04 00
6	3639 06 00
8	3639 08 00
10	3639 10 00
12	3639 12 00
14	3639 14 00

3602 Equal Elbow



ØD	Order code
4	3602 04 00
6	3602 06 00
8	3602 08 00
10	3602 10 00
12	3602 12 00
14	3602 14 00

3604 Equal Tee




ØD	Order code
4	3604 04 00
6	3604 06 00
8	3604 08 00
10	3604 10 00
12	3604 12 00
14	3604 14 00

LF 3600: Chemical Nickel-Plated Brass Push-In Fittings

-20°C to +150°C
 30 bar max.


3666 Plug-In Reducer

 ØD2	ØD1	ØD2	Order code
		4	6
	4	8	3666 04 08
	6	8	3666 06 08
	6	10	3666 06 10
	6	12	3666 06 12
	8	10	3666 08 10
	8	12	3666 08 12
	8	14	3666 08 14
	10	12	3666 10 12
	10	14	3666 10 14
	12	14	3666 12 14

3668 Plug-In Increaser

	ØD1	ØD2	Order code
		6	4

3626 Blanking Plug

	ØD	Order code
		4
	6	3626 06 00
	8	3626 08 00
	10	3626 10 00
	12	3626 12 00
	14	3626 14 00

Pneumatic Accessories in Nickel-Plated Brass

-10°C to +80°C
60 bar max.

0900 Straight Male, Unequal Adaptor, BSPT



C1	C2	Order code
R1/8	R1/8	0900 00 10
R1/4	R1/4	0900 00 13
R3/8	R3/8	0900 00 17
R1/2	R1/2	0900 00 21
R3/4	R3/4	0900 00 27
R1"	R1"	0900 00 34
R1/8	R1/4	0900 10 13
R1/8	R3/8	0900 10 17
R1/4	R3/8	0900 13 17
R1/4	R1/2	0900 13 21
R3/8	R1/2	0900 17 21
R1/2	R3/4	0900 21 27
R3/4	R1"	0900 27 34

0905 Reducer Male to Female BSPP & M5



C1	C2	Order code
G1/8	M5 x 0,8	0905 19 10
G1/4	G1/8	0905 10 13
G3/8	G1/8	0905 10 17
G3/8	G1/4	0905 13 17
G1/2	G1/4	0905 13 21
G1/2	G3/8	0905 17 21
G3/4	G3/8	0905 17 27
G3/4	G1/2	0905 21 27

0901 Equal/Unequal Adaptor, BSPP & M5



C1	C2	Order code
M5 x 0,8	M5 x 0,8	0901 00 19
M5 x 0,8	G1/8	0901 19 10

0906 Increaser Male to Female BSPP & M5



C1	C2	Order code
M5 x 0,8	G1/8	0906 10 19
G1/8	G1/4	0906 10 13
G1/8	G3/8	0906 10 17
G1/4	G3/8	0906 13 17
G1/4	G1/2	0906 13 21
G3/8	G1/2	0906 17 21

0902 Straight Female, Equal/Unequal Adaptor, BSPP & M5



C1	C2	Order code
M5 x 0,8	G1/8	0902 19 10
M5 x 0,8	M5 x 0,8	0902 00 19
G1/8	G1/8	0902 00 10
G1/4	G1/4	0902 00 13
G3/8	G3/8	0902 00 17
G1/2	G1/2	0902 00 21
G3/4	G3/4	0902 00 27
G1/8	G1/4	0902 10 13
G1/4	G3/8	0902 13 17

0907 Female Extended Adaptor Male/Female BSPP



C	Order code
G1/8	0907 00 10
G1/4	0907 00 13

0904 Reducer Male BSPT to Female BSPP



C1	C2	Order code
R1/4	G1/8	0904 10 13
R3/8	G1/8	0904 10 17
R3/8	G1/4	0904 13 17
R1/2	G1/4	0904 13 21
R1/2	G3/8	0904 17 21
R3/4	G3/8	0904 17 27
R3/4	G1/2	0904 21 27

0912 Equal Female Stud Elbow, BSPP & M5



C	Order code
M5 x 0,8	0912 00 19
G1/8	0912 00 10
G1/4	0912 00 13
G3/8	0912 00 17
G1/2	0912 00 21
G3/4	0912 00 27

0913 Equal Female Stud Elbow BSPP, Male BSPT



C1	C2	Order code
G1/8	R1/8	0913 00 10
G1/4	R1/4	0913 00 13
G3/8	R3/8	0913 00 17
G1/2	R1/2	0913 00 21
G3/4	R3/4	0913 00 27

Pneumatic Accessories in Nickel-Plated Brass

-10°C to +80°C
60 bar max.*

0914 Equal Male Stud Elbow, BSPT



C	Order code
R1/8	0914 00 10
R1/4	0914 00 13
R3/8	0914 00 17
R1/2	0914 00 21
R3/4	0914 00 27

0931 Tailpiece Adaptor for Rubber Hose, Male BSPP



ØD	C	Order code
6	G1/8	0931 06 10
6	G1/4	0931 06 13
7	G1/8	0931 07 10
7	G1/4	0931 07 13
7	G3/8	0931 07 17
8	G1/8	0931 08 10
8	G1/4	0931 08 13
8	G3/8	0931 08 17
10	G1/4	0931 10 13
10	G3/8	0931 10 17
10	G1/2	0931 10 21
15	G3/8	0931 15 17
15	G1/2	0931 15 21
18	G1/2	0931 18 21

0915 Equal Female Tee, BSPP & M5



C	Order code
M5 x 0.8	0915 00 19
G1/8	0915 00 10
G1/4	0915 00 13
G3/8	0915 00 17
G1/2	0915 00 21
G3/4	0915 00 27

0916 Male Stud Branch Tee, BSPP & Male BSPT Female



C1	C2	Order code
G1/8	R1/8	0916 00 10
G1/4	R1/4	0916 00 13
G3/8	R3/8	0916 00 17
G1/2	R1/2	0916 00 21
G3/4	R3/4	0916 00 27

0919 Internal Hexagon Head Plug, BSPP & M5



C	Order code
M5 x 0,8	0919 00 19
G1/8	0919 00 10
G1/4	0919 00 13
G3/8	0919 00 17
G1/2	0919 00 21
G3/4	0919 00 27
G1"	0919 00 34

0908 Equal Female Cross, BSPP



C	Order code
G1/8	0908 00 10
G1/4	0908 00 13
G3/8	0908 00 17
G1/2	0908 00 21

0220 Brass Hexagon Headed Plug, BSPP & M5



C	Order code
M5 x 0,8	0220 19 00
G1/8	0220 10 00
G1/4	0220 13 00
G3/8	0220 17 00
G1/2	0220 21 00

0909 Equal Cross, Female BSPP, Male BSPT



C1	C2	Order code
G1/8	R1/8	0909 00 10
G1/4	R1/4	0909 00 13
G3/8	R3/8	0909 00 17
G1/2	R1/2	0909 00 21

0138 Sealing Copper Washers



ØD	C	Order code
10	G1/8	0138 10 00
13	G1/4	0138 13 00
17	G3/8	0138 17 00
21	G1/2	0138 21 00
27	G3/4	0138 27 00
33	G1"	0138 33 00

0920 Female Bulkhead Connector - BSPP & M5




C1	C2	Order code
M5 x 0.8	M10 x 1	0920 00 19
G1/8	M16 x 1.5	0920 00 10
G1/4	M20 x 1.5	0920 00 13
G3/8	M26 x 1.5	0920 00 17
G1/2	M28 x 1.5	0920 00 21

* Technical specifications of nickel-plated brass accessories


Pneumatic Accessories

0670 Threaded Silencer, BSPP

	C	Order code
	G1/8	0670 00 10
	G1/4	0670 00 13
	G3/8	0670 00 17
	G1/2	0670 00 21
G3/4	0670 00 27	


-20° to +150°C
12 bar

0673 Threaded Silencer, Male BSPP & M5

	C	Order code
	M5 x 0.8	0673 00 19
	G1/8	0673 00 10
	G1/4	0673 00 13
	G3/8	0673 00 17
G1/2	0673 00 21	


-20° to +150°C
12 bar

0672 Flow-Control Silencer, Male BSPP

	C	Order code
	G1/8	0672 00 10
	G1/4	0672 00 13
	G3/8	0672 00 17
	G1/2	0672 00 21


-20° to +150°C
12 bar

0674 Threaded Silencer, Male BSPP & M5

	C	Order code
	M5 x 0.8	0674 00 19
	G1/8	0674 00 10
	G1/4	0674 00 13
	G3/8	0674 00 17
	G1/2	0674 00 21
	G3/4	0674 00 27

-10° to +80°C
10 bar

0677 Silencer, Miniature, BSPP


	C	Order code
	G1/8	0677 00 10
	G1/4	0677 00 13
	G3/8	0677 00 17
	G1/2	0677 00 21
	G3/4	0677 00 27
	G1"	0677 00 34

-20° to +150°C
12 bar

Technical specifications of aluminium anodised manifolds


-10°C to +80°C
20 bar max.

0605 Fluoropolymer Tape


	Order code
	0605 12 12

-250° to +260°C


3311 Female Manifold BSPP & M5

	C1	C2	Number of Outlets	Order code
	G1/8	M5 x 0.8	7	3311 19 10 07
	G1/4	G1/8	2	3311 10 13 02
	G1/4	G1/8	3	3311 10 13 03
	G1/4	G1/8	4	3311 10 13 04
	G1/4	G1/8	5	3311 10 13 05
	G1/4	G1/8	6	3311 10 13 06
	G3/8	G1/4	2	3311 13 17 02
	G3/8	G1/4	3	3311 13 17 03
	G3/8	G1/4	4	3311 13 17 04
	G3/8	G1/4	5	3311 13 17 05
	G3/8	G1/4	6	3311 13 17 06

3313 Double Female Manifold BSPP

	C1	C2	Number of Outlets	Order code
	G1/4	G1/8	2	3313101302
	G1/4	G1/8	3	3313101303
	G1/4	G1/8	4	3313101304
	G1/4	G1/8	5	3313101305
	G3/8	G1/4	2	3313131702
	G3/8	G1/4	3	3313131703
	G3/8	G1/4	4	3313131704
	G3/8	G1/4	5	3313131705
	G1/2	G1/4	3	3313132103
	G1/2	G1/4	4	3313132104
	G1/2	G1/4	5	3313132105

3312 Female Cross Manifold BSPP & M5

	C	Order code
	M5 x 0.8	3312 00 19
	G1/8	3312 00 10
	G1/4	3312 00 13
	G3/8	3312 00 17
	G1/2	3312 00 21

LF 3800: Stainless Steel Push-In Fittings

-20°C to +120°C
30 bar max.

3805 Male Stud, BSPT & M5



ØD	C	Order code
4	M5 x 0.8	3805 04 19
4	R1/8	3805 04 10
4	R1/4	3805 04 13
6	R1/8	3805 06 10
6	R1/4	3805 06 13
8	R1/8	3805 08 10
8	R1/4	3805 08 13
8	R3/8	3805 08 17
10	R1/4	3805 10 13
10	R3/8	3805 10 17
12	R1/4	3805 12 13
12	R3/8	3805 12 17
12	R1/2	3805 12 21

3889 Male Stud Elbow, BSPT



20 bar max.

ØD	C	Order code
4	R1/8	3889 04 10
4	R1/4	3889 04 13
6	R1/8	3889 06 10
6	R1/4	3889 06 13
8	R1/8	3889 08 10
8	R1/4	3889 08 13
8	R3/8	3889 08 17
10	R1/4	3889 10 13
10	R3/8	3889 10 17
12	R1/4	3889 12 13
12	R3/8	3889 12 17
12	R1/2	3889 12 21

3801 Male Stud, BSPP & M5



ØD	C	Order code
4	M5 x 0.8	3801 04 19
4	G1/8	3801 04 10
6	M5 x 0.8	3801 06 19
6	G1/8	3801 06 10
6	G1/4	3801 06 13
8	G1/8	3801 08 10
8	G1/4	3801 08 13
8	G3/8	3801 08 17
10	G1/4	3801 10 13
10	G3/8	3801 10 17
12	G1/4	3801 12 13
14	G3/8	3801 12 17

3802 Equal Elbow



ØD	Order code
4	3802 04 00
6	3802 06 00
8	3802 08 00
10	3802 10 00
12	3802 12 00

3804 Equal Tee



ØD	Order code
4	3804 04 00
6	3804 06 00
8	3804 08 00
10	3804 10 00
12	3804 12 00

3879 Male Stud Elbow, BSPP



20 bar max.

ØD	C	Order code
4	G1/8	3879 04 10
4	G1/4	3879 04 13
6	G1/8	3879 06 10
6	G1/4	3879 06 13
8	G1/8	3879 08 10
8	G1/4	3879 08 13
8	G3/8	3879 08 17
10	G1/4	3879 10 13
10	G3/8	3879 10 17
12	G1/4	3879 12 13
12	G3/8	3879 12 17
12	G1/2	3879 12 21

3806 Equal Straight Union



ØD	Order code
4	3806 04 00
6	3806 06 00
8	3806 08 00
10	3806 10 00
12	3806 12 00

3816 Equal Bulkhead Union



IP51

ØD	Order code
4	3816 04 00
6	3816 06 00
8	3816 08 00
10	3816 10 00
12	3816 12 00

3866 Plug-In Reducer



ØD1	ØD2	Order code
4	6	3866 04 06
4	8	3866 04 08
6	8	3866 06 08
6	10	3866 06 10
8	10	3866 08 10
8	12	3866 08 12
10	12	3866 10 12

Stainless Steel Function Fittings

7810 Flow Regulator, threaded, BSPP - exhaust (A)



0° to +70°C
1 to 10 bar

C1	Order code
M5 x 0.8	7810 19 19
G1/8	7810 10 10
G1/4	7810 13 13
G3/8	7810 17 17
G1/2	7810 21 21

7899 Quick Exhaust Valve, Double Female, BSPP



-10° to +120°C (1/8, 1/4)
-20° to +80°C (3/8, 1")
2 to 10 bar

C		Order code
G1/8	7	7899 00 10
G1/4	7	7899 00 13
G3/8	9	7899 00 17
G1/2	12	7899 00 21
G3/4	18	7899 00 27
G1"	18	7899 00 34

7812 Flow Regulator, threaded, BSPP - bi-directional (C)



0° to +70°C
1 to 10 bar

C1	Order code
M5 x 0.8	7812 19 19
G1/8	7812 10 10
G1/4	7812 13 13
G3/8	7812 17 17
G1/2	7812 21 21

0682 Threaded Silencer, Male BSPP



-20° to +180°C
12 bar max.

C	Order code
G1/8	0682 00 10
G1/4	0682 00 13
G3/8	0682 00 17
G1/2	0682 00 21
G3/4	0682 00 27

7820 Flow Regulator, In-line, threaded connections BSPP, one way adjust (A)



-15° to +120°C
1 to 16 bar

C		Order code
G1/8	7	7820 00 10
G1/4	7	7820 00 13
G3/8	9	7820 00 17
G1/2	12	7820 00 21

7822 Flow Regulator, In-line, threaded connections BSPP, bi-directional (C)



-15° to +120°C
1 to 40 bar

C		Order code
G1/8	7	7822 00 10
G1/4	7	7822 00 13
G3/8	9	7822 00 17
G1/2	12	7822 00 21

4890 Non-Return Valve, Female-Female, BSPP



-20° to +180°C
0,5 to 40 bar

C		Order code
G1/8	10	4890 10 10
G1/4	10	4890 13 13
G3/8	15	4890 17 17
G1/2	15	4890 21 21
G3/4	20	4890 27 27
G1"	25	4890 34 34

Stainless Steel Accessories

-20°C to +180°C
150 bar max.

1843 Equal Elbow, Female BSPP



C	Order code
G1/8	1843 10 10
G1/4	1843 13 13
G3/8	1843 17 17
G1/2	1843 21 21

1864 Male NPT to Female BSPP Adaptor



C1	C2	Order code
1/8	G1/8	1864 11 10
1/4	G1/4	1864 14 13
3/8	G3/8	1864 18 17
1/2	G1/2	1864 22 21

1844 Equal Male Stud Elbow, BSPT, female BSPP



C1	C2	Order code
G1/8	R1/8	1844 10 10
G1/4	R1/4	1844 13 13
G3/8	R3/8	1844 17 17
G1/2	R1/2	1844 21 21

1867 Male BSPT to Female NPT Adaptor



C1	C2	Order code
R1/8	1/8	1867 10 11
R1/4	1/4	1867 13 14
R3/8	3/8	1867 17 18
R1/2	1/2	1867 21 22

1845 Equal Tee, Triple Female, BSPP



C	Order code
G1/8	1845 10 10
G1/4	1845 13 13
G3/8	1845 17 17
G1/2	1845 21 21

1863 Reducer BSPT to Female BSPP



C1	C2	Order code
R1/4	G1/8	1863 13 10
R3/8	G1/8	1863 17 10
R3/8	G1/4	1863 17 13
R1/2	1/4	1863 21 13
R1/2	3/8	1863 21 17

1855 Double Female Sleeve, BSPP



C	Order code
G1/8	1855 10 10
G1/4	1855 13 13
G3/8	1855 17 17
G1/2	1855 21 21

1823 Tailpiece Adaptor for Rubber Hose, Male BSPT



ØD	C	Order code
7	R1/8	1823 07 10
7	R1/4	1823 07 13
10	R1/4	1823 10 13
10	R3/8	1823 10 17
13	R3/8	1823 13 17
16	R1/2	1823 16 21

1817 Bulkhead Adaptor, BSPP



C	Order code
G1/8	1817 00 10
G1/4	1817 00 13
G3/8	1817 00 17
G1/2	1817 00 21

0285 Plug, Internal Hexagon Headed, BSPT



C	Order code
R1/8	0285 10 00
R1/4	0285 13 00
R3/8	0285 17 00
R1/2	0285 21 00
R3/4	0285 27 00

Pneumatic Tubing

-40°C to +100°C
50 bar max.

1025P Semi-Rigid Polyamide Tubing, 25 m Rolls



o.d. tubing mm	i.d. tubing mm	R minimum bend radius for tube at ambient temp. in mm	Order code
4	2.7	30	1025P04 00 27 □
4	2.7	30	1025P04 01 27 ■
4	2.7	30	1025P04 02 27 ■
4	2.7	30	1025P04 03 27 ■
4	2.7	30	1025P04 04 27 ■
4	2.7	30	1025P04 05 27 ■
4	2.7	30	1025P04 06 27 ■
6	4	35	1025P06 00 □
6	4	35	1025P06 01 ■
6	4	35	1025P06 02 ■
6	4	35	1025P06 03 ■
6	4	35	1025P06 04 ■
6	4	35	1025P06 05 ■
6	4	35	1025P06 06 ■
8	6	55	1025P08 00 □
8	6	55	1025P08 01 ■
8	6	55	1025P08 02 ■
8	6	55	1025P08 03 ■
8	6	55	1025P08 04 ■
8	6	55	1025P08 05 ■
8	6	55	1025P08 06 ■
10	7.5	75	1025P10 00 75 □
10	7.5	75	1025P10 01 75 ■
10	7.5	75	1025P10 04 75 ■
12	9	75	1025P12 00 09 □
12	9	75	1025P12 01 09 ■
12	9	75	1025P12 04 09 ■
14	11	100	1025P14 00 11 □
14	11	100	1025P14 01 11 ■
14	11	100	1025P14 04 11 ■

2005P-2010P Semi-rigid Polyamide, 500m & 1000m Reels



o.d. tubing mm	i.d. tubing mm	R minimum bend radius for tube at ambient temp. in mm	Order code
4	2.7	30	2010P04 00 27 □
4	2.7	30	2010P04 01 27 ■
4	2.7	30	2010P04 04 27 ■
6	4	35	2010P06 00 □
6	4	35	2010P06 01 ■
6	4	35	2010P06 04 ■
8	6	55	2005P08 00 □
8	6	55	2005P08 01 ■
8	6	55	2005P08 04 ■
10	8	90	2005P10 00 □
10	8	90	2005P10 01 ■
10	8	90	2005P10 04 ■

1010P Multitube Semi-Rigid Polyamide



o.d. PVC sheath mm mm	o.d. x i.d. semi rigid nylon	R minimum bend radius at 20°C mm	Number of tubes	Order code
13.5	4 x 2.7	35	4	1010P04 00M04 ■
16	4 x 2.7	45	7	1010P04 00M07 ■
18.5	6 x 4	55	4	1010P06 00M04 ■
22	6 x 4	60	7	1010P06 00M07 ■
19.2	8 x 6	45	2	1010P08 00M2 ■

1100P Semi-Rigid Polyamide Tubing, 100 m Rolls

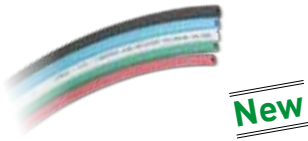


o.d. tubing mm	i.d. tubing mm	R minimum bend radius for tube at ambient temp. in mm	Order code
4	2.7	30	1100P04 00 27 □
4	2.7	30	1100P04 01 27 ■
4	2.7	30	1100P04 02 27 ■
4	2.7	30	1100P04 03 27 ■
4	2.7	30	1100P04 04 27 ■
4	2.7	30	1100P04 05 27 ■
4	2.7	30	1100P04 06 27 ■
6	4	35	1100P06 00 □
6	4	35	1100P06 01 ■
6	4	35	1100P06 02 ■
6	4	35	1100P06 03 ■
6	4	35	1100P06 04 ■
6	4	35	1100P06 05 ■
6	4	35	1100P06 06 ■
8	6	55	1100P08 00 □
8	6	55	1100P08 01 ■
8	6	55	1100P08 02 ■
8	6	55	1100P08 03 ■
8	6	55	1100P08 04 ■
8	6	55	1100P08 05 ■
8	6	55	1100P08 06 ■
10	7.5	75	1100P10 00 75 □
10	7.5	75	1100P10 01 75 ■
10	7.5	75	1100P10 04 75 ■
12	9	75	1100P12 00 09 □
12	9	75	1100P12 01 09 ■
12	9	75	1100P12 04 09 ■
14	12	100	1100P14 00 □
14	12	100	1100P14 01 ■
14	12	100	1100P14 04 ■

Pneumatic Tubing

-40°C to +100°C
50 bar max. (vacuum 755mHg)

Fireproof High Resistant Polyamide Tubing



o.d. tubing mm	i.d. tubing mm	R minimum bend radius for tube at ambient temp. in mm	Order code
Length: 25 m			
4	2	17	1025P04R00
4	2	17	1025P04R01
4	2	17	1025P04R02
4	2	17	1025P04R03
4	2	17	1025P04R04
6	4	29	1025P06R00
6	4	29	1025P06R01
6	4	29	1025P06R02
6	4	29	1025P06R03
6	4	29	1025P06R04
8	6	40	1025P08R00
8	6	40	1025P08R01
8	6	40	1025P08R02
8	6	40	1025P08R03
8	6	40	1025P08R04
10	8	77	1025P10R00
10	8	77	1025P10R01
10	8	77	1025P10R02
10	8	77	1025P10R03
10	8	77	1025P10R04

Fireproof High Resistant Polyamide Tubing



o.d. tubing mm	i.d. tubing mm	R minimum bend radius for tube at ambient temp. in mm	Order code
Length: 100 m			
4	2	17	1100P04R00
4	2	17	1100P04R01
4	2	17	1100P04R02
4	2	17	1100P04R03
4	2	17	1100P04R04
6	4	29	1100P06R00
6	4	29	1100P06R01
6	4	29	1100P06R02
6	4	29	1100P06R03
6	4	29	1100P06R04
8	6	40	1100P08R00
8	6	40	1100P08R01
8	6	40	1100P08R02
8	6	40	1100P08R03
8	6	40	1100P08R04
10	8	77	1100P10R00
10	8	77	1100P10R01
10	8	77	1100P10R02
10	8	77	1100P10R03
10	8	77	1100P10R04

Length: 500 m

8	6	40	2005P08R00
8	6	40	2005P08R01
8	6	40	2005P08R02
8	6	40	2005P08R03
8	6	40	2005P08R04
10	8	77	2005P10R00
10	8	77	2005P10R01
10	8	77	2005P10R02
10	8	77	2005P10R03
10	8	77	2005P10R04

Length: 1000 m

4	2	17	2010P04R00
4	2	17	2010P04R01
4	2	17	2010P04R02
4	2	17	2010P04R03
4	2	17	2010P04R04
6	4	29	2010P06R00
6	4	29	2010P06R01
6	4	29	2010P06R02
6	4	29	2010P06R03
6	4	29	2010P06R04

Pneumatic Tubing

-20°C to +70°C
9 bar max.

1025U Anti-Spark Single Layer Polyurethane Tubing, 25 m Rolls



o.d. tubing mm	i.d. tubing mm	R minimum bend radius for tube at 20°C in mm	Order code
4	2.5	10	1025U04K01
6	4	15	1025U06K01
8	5.5	20	1025U08K01
10	7	25	1025U10K01
12	8	35	1025U12K01

2003U-2005U-2010U Polyurethane Tubing, 300m, 500m & 1000m Reels



o.d. tubing mm	i.d. tubing mm	Minimum bend radius for tube at ambient temp. in mm		Order code
		Polyester	Polyether	
4	2.7	30		2010U04 01
4	2.7	30		2010U04 04
6	4	35		2010U06 01
6	4	35		2010U06 04
8	6		55	2005U08R08
8	6	55		2005U08 01
8	6	55		2005U08 04
10	8		90	2005U10R08
10	8	90		2005U10 01
10	8	90		2005U10 04

1025U Flexible Polyurethane Tubing, 25 m Rolls



o.d. tubing mm	i.d. tubing mm	Minimum bend radius for tube at ambient temp. in mm		Order code
		Polyester	Polyether	
4	2.5	10		1025U04 01
4	2.5	10		1025U04 02
4	2.5	10		1025U04 03
4	2.5	10		1025U04 04
4	2.5	10		1025U04 05
4	2.5	10		1025U04 06
4	2.5		10	1025U04R08
6	4	15		1025U06 01
6	4	15		1025U06 02
6	4	15		1025U06 03
6	4	15		1025U06 04
6	4	15		1025U06 05
6	4	15		1025U06 06
6	4		20	1025U06R08
8	5.5	20		1025U08 01
8	5.5	20		1025U08 02
8	5.5	20		1025U08 03
8	5.5	20		1025U08 04
8	5.5	20		1025U08 05
8	5.5	20		1025U08 06
8	5.5		25	1025U08 R08
10	7	25		1025U10 01
10	7	25		1025U10 04
10	7		35	1025U10 R08
12	8	35		1025U12 01
12	8	35		1025U12 04
12	8		40	1025U12R08
14	9.5	45		1025U14 01 95
14	9.5	45		1025U14 04 95
14	9.5		50	1025U14R08 95

1100U Flexible Polyurethane Tubing, 100m Rolls



o.d. tubing mm	i.d. tubing mm	Minimum bend radius for tube at ambient temp. in mm		Order code
		Polyester	Polyether	
4	2.5	10		1100U04 01
4	2.5	10		1100U04 02
4	2.5	10		1100U04 03
4	2.5	10		1100U04 04
4	2.5	10		1100U04 05
4	2.5	10		1100U04 06
4	2.5		10	1100U04R08
6	4	15		1100U06 01
6	4	15		1100U06 02
6	4	15		1100U06 03
6	4	15		1100U06 04
6	4	15		1100U06 05
6	4	15		1100U06 06
6	4		20	1100U06R08
8	5.5	20		1100U08 01
8	5.5	20		1100U08 02
8	5.5	20		1100U08 03
8	5.5	20		1100U08 04
8	5.5	20		1100U08 05
8	5.5	20		1100U08 06
8	5.5		25	1100U08R08
10	7	25		1100U10 01
10	7	25		1100U10 04
10	7		35	1100U10R08
12	8	35		1100U12 01
12	8	35		1100U12 04
12	8		40	1100U12R08
14	9.5	45		1100U14 01 95
14	9.5	45		1100U14 04 95
14	9.5		50	1100U14R08 95

Pneumatic Tubing

-40°C to +95°C
 16 bar max.

1100U Anti-Static Polyurethane Tubing



Resistivity: 10³ to 10⁶ Ω

o.d. tubing mm	i.d. tubing mm	R minimum bend radius for tube at 20°C in mm	Order code
4	2.5	10	1100U04A01 ■
6	4	15	1100U06A01 ■
8	5.5	25	1100U08A01 ■
10	7	35	1100U10A01 ■
12	8	45	1100U12A01 ■

1420U Flexible Polyurethane Twin Tubing



o.d. tubing mm	i.d. tubing mm	R minimum bend radius for tube at 20°C in mm	Order code
4	2.5	10	1420U04 11 ■■
4	2.5	10	1420U04 44 ■■
4	2.5	10	1420U04 41 ■■
6	4	15	1420U06 11 ■■
6	4	15	1420U06 44 ■■
6	4	15	1420U06 41 ■■
8	5.5	20	1420U08 11 ■■
8	5.5	20	1420U08 44 ■■
8	5.5	20	1420U08 41 ■■

1015Y..F Advanced Polyethylene (APE) Tubing



Drum 150 m

o.d. tubing mm	i.d. tubing mm	Minimum bend radius for tube at ambient temp. in mm Polyethylene	Order code
4	2.5	16	1015Y04F00
4	2.5	16	1015Y04F01 ■
4	2.5	16	1015Y04F02 ■
4	2.5	16	1015Y04F03 ■
4	2.5	16	1015Y04F04 ■
4	2.5	16	1015Y04F05 ■
4	2.5	16	1015Y04F10 ■
6	4	32	1015Y06F00
6	4	32	1015Y06F01 ■
6	4	32	1015Y06F02 ■
6	4	32	1015Y06F03 ■
6	4	32	1015Y06F04 ■
6	4	32	1015Y06F05 ■
6	4	32	1015Y06F10 ■
8	5.75	40	1015Y08F00
8	5.75	40	1015Y08F01 ■
8	5.75	40	1015Y08F02 ■
8	5.75	40	1015Y08F03 ■
8	5.75	40	1015Y08F04 ■
8	5.75	40	1015Y08F05 ■
8	5.75	40	1015Y08F10 ■
10	7	40	1015Y10F00
10	7	40	1015Y10F01 ■
10	7	40	1015Y10F02 ■
10	7	40	1015Y10F03 ■
10	7	40	1015Y10F04 ■
10	7	40	1015Y10F05 ■
10	7	40	1015Y10F10 ■

1030Y..F Advanced Polyethylene (APE) Tubing



Drum 300 m

o.d. tubing mm	i.d. tubing mm	Minimum bend radius for tube at ambient temp. in mm Polyethylene	Order code
4	2.5	16	1030Y04F00
4	2.5	16	1030Y04F01
4	2.5	16	1030Y04F02
4	2.5	16	1030Y04F03
4	2.5	16	1030Y04F04
4	2.5	16	1030Y04F05
4	2.5	16	1030Y04F10
6	4	32	1030Y06F00
6	4	32	1030Y06F01
6	4	32	1030Y06F02
6	4	32	1030Y06F03
6	4	32	1030Y06F04
6	4	32	1030Y06F05
6	4	32	1030Y06F10

1096Y..F Advanced Polyethylene (APE) Tubing



Drum 250 m

o.d. tubing inch	i.d. tubing inch	Minimum bend radius for tube at ambient temp. in mm Polyethylene	Order code
1/2	0.375	1.96	1096Y62F00
1/2	0.375	1.96	1096Y62F01
1/2	0.375	1.96	1096Y62F02
1/2	0.375	1.96	1096Y62F03
1/2	0.375	1.96	1096Y62F04
1/2	0.375	1.96	1096Y62F05
1/2	0.375	1.96	1096Y62F10

1075Y..F Advanced Polyethylene (APE) Tubing



Drum 75 m

o.d. tubing mm	i.d. tubing mm	Minimum bend radius for tube at ambient temp. in mm Polyethylene	Order code
12	9	55	1075Y12F00
12	9	55	1075Y12F01
12	9	55	1075Y12F02
12	9	55	1075Y12F03
12	9	55	1075Y12F04
12	9	55	1075Y12F05
12	9	55	1075Y12F10

1098Y..F Advanced Polyethylene (APE) Tubing



Drum 500 m

o.d. tubing inch	i.d. tubing inch	Minimum bend radius for tube at ambient temp. in mm Polyethylene	Order code
1/4	0.170	0.78	1098Y56F00
1/4	0.170	0.78	1098Y56F01
1/4	0.170	0.78	1098Y56F02
1/4	0.170	0.78	1098Y56F03
1/4	0.170	0.78	1098Y56F04
1/4	0.170	0.78	1098Y56F05
1/4	0.170	0.78	1098Y56F10
3/8	0.250	1.18	1098Y60F00
3/8	0.250	1.18	1098Y60F01
3/8	0.250	1.18	1098Y60F02
3/8	0.250	1.18	1098Y60F03
3/8	0.250	1.18	1098Y60F04
3/8	0.250	1.18	1098Y60F05
3/8	0.250	1.18	1098Y60F10

1099Y..F Advanced Polyethylene (APE) Tubing



Drum 1000 m

o.d. tubing inch	i.d. tubing inch	Minimum bend radius for tube at ambient temp. in mm Polyethylene	Order code
1/4	0.170	0.78	1099Y56F00
1/4	0.170	0.78	1099Y56F01
1/4	0.170	0.78	1099Y56F02
1/4	0.170	0.78	1099Y56F03
1/4	0.170	0.78	1099Y56F04
1/4	0.170	0.78	1099Y56F05
1/4	0.170	0.78	1099Y56F10

Pneumatic Tubing

PFA Tubing



-196°C to +260°C
36 bar max. (vacuum 755mHg)

New

o.d. tubing mm	i.d. tubing mm	R minimum bend radius for tube at ambient temp. in mm	Order code	
Length: 10 m				
4	2	12	1010T04P00	□
4	2	12	1010T04A01	■
4	2	12	1010T04P12	■
4	2	12	1010T04P13	■
4	2	12	1010T04P14	■
6	4	34	1010T06P00	□
6	4	34	1010T06A01	■
6	4	34	1010T06P12	■
6	4	34	1010T06P13	■
6	4	34	1010T06P14	■
8	6	60	1010T08P00	□
8	6	60	1010T08A01	■
8	6	60	1010T08P12	■
8	6	60	1010T08P13	■
8	6	60	1010T08P14	■
10	8	95	1010T10P00	□
10	8	95	1010T10A01	■
10	8	95	1010T10P12	■
10	8	95	1010T10P13	■
10	8	95	1010T10P14	■
12	9	120	1010T12P00	□
12	9	120	1010T12A01	■
12	9	120	1010T12P12	■
12	9	120	1010T12P13	■
12	9	120	1010T12P14	■
Length: 50 m				
4	2	12	1050T04P00	□
4	2	12	1050T04A01	■
4	2	12	1050T04P12	■
4	2	12	1050T04P13	■
4	2	12	1050T04P14	■
6	4	34	1050T06P00	□
6	4	34	1050T06A01	■
6	4	34	1050T06P12	■
6	4	34	1050T06P13	■
6	4	34	1050T06P14	■
8	6	60	1050T08P00	□
8	6	60	1050T08A01	■
8	6	60	1050T08P12	■
8	6	60	1050T08P13	■
8	6	60	1050T08P14	■
10	8	95	1050T10P00	□
10	8	95	1050T10A01	■
10	8	95	1050T10P12	■
10	8	95	1050T10P13	■
10	8	95	1050T10P14	■
12	9	120	1050T12P00	□
12	9	120	1050T12A01	■
12	9	120	1050T12P12	■
12	9	120	1050T12P13	■
12	9	120	1050T12P14	■

PFA Tubing



New

Length: 100 m

4	2	12	1100T04P00	□
4	2	12	1100T04A01	■
4	2	12	1100T04P12	■
4	2	12	1100T04P13	■
4	2	12	1100T04P14	■
6	4	34	1100T06P00	□
6	4	34	1100T06A01	■
6	4	34	1100T06P12	■
6	4	34	1100T06P13	■
6	4	34	1100T06P14	■
8	6	60	1100T08P00	□
8	6	60	1100T08A01	■
8	6	60	1100T08P12	■
8	6	60	1100T08P13	■
8	6	60	1100T08P14	■
10	8	95	1100T10P00	□
10	8	95	1100T10A01	■
10	8	95	1100T10P12	■
10	8	95	1100T10P13	■
10	8	95	1100T10P14	■
12	9	120	1100T12P00	□
12	9	120	1100T12A01	■
12	9	120	1100T12P12	■
12	9	120	1100T12P13	■
12	9	120	1100T12P14	■

Pneumatic Tubing

-20°C to +70°C
9 bar max.

1005T Fluoropolymer FEP 140 Tubing, 5m Rolls



-40°C to +150°C
37 bars max.

o.d. tubing mm	i.d. tubing mm	R minimum bend radius for tube at ambient temp. in mm	Order code
4	2.5	40	1005T04 00 25
6	4	50	1005T06 00
8	6	70	1005T08 00
10	8	120	1005T10 00
12	10	180	1005T12 00

1025T Fluoropolymer FEP 140 Tubing, 25m Rolls



-40°C to +150°C
37 bar max.

o.d. tubing mm	i.d. tubing mm	R minimum bend radius for tube at ambient temp. in mm	Order code
4	2.5	40	1025T04 00 25
6	4	50	1025T06 00
8	6	70	1025T08 00
10	8	120	1025T10 00
12	10	180	1025T12 00

1460U Polyurethane Recoil Tubing, without connectors, 2 m long



o.d. tubing mm	i.d. tubing mm	Order code
8	5	1460U08 04
10	7	1460U10 04
12	8	1460U12 04

1461U Polyurethane Recoil Tubing, without connectors, 4 m long



o.d. tubing mm	i.d. tubing mm	Order code
8	5	1461U08 04
10	7	1461U10 04
12	8	1461U12 04

1462U Polyurethane Recoil Tubing, without connectors, 6 m long



o.d. tubing mm	i.d. tubing mm	Order code
8	5	1462U08 04
10	7	1462U10 04
12	8	1462U12 04

0694 Instant Fitting, with protection spring, BSPP



ØD	C	Order code
8	G1/4	0694 08 13
10	G1/4	0694 10 13
12	G3/8	0694 12 17

1470U Polyurethane Recoil Tubing, 2 m long, with Threaded Stem BSPT Thread



o.d. tubing mm	i.d. tubing mm	BSPT thread	Order code
8	5	R1/4	1470U08 03 13 ■
8	5	R1/4	1470U08 04 13 ■
8	5	R1/4	1470U08 05 13 ■

1471U Polyurethane Recoil Tubing, 4 m long, with Threaded Stem BSPT Thread



o.d. tubing mm	i.d. tubing mm	BSPT thread	Order code
8	5	R1/4	1471U08 03 13 ■
8	5	R1/4	1471U08 04 13 ■
8	5	R1/4	1471U08 05 13 ■

1472U Polyurethane Recoil Tubing, 6 m long, with Threaded Stem BSPT Thread



o.d. tubing mm	i.d. tubing mm	BSPT thread	Order code
8	5	R1/4	1472U08 03 13 ■
8	5	R1/4	1472U08 04 13 ■
8	5	R1/4	1472U08 05 13 ■

Pneumatic Tubing

1040H Self-Fastening Hose, in 40m rolls



-20°C to +100°C
16 bar max.

DN	i.d. tubing mm	R minimum bend radius at 20°C (mm)	Order code
6	6.3	60	1040H56 02 ■
6	6.3	60	1040H56 03 ■
8	9.5	70	1040H60 02 ■
8	9.5	70	1040H60 03 ■
12	12.7	120	1040H62 02 ■
12	12.7	120	1040H62 03 ■
16	15.9	140	1040H66 02 ■
16	15.9	140	1040H66 03 ■
20	19.1	170	1040H69 02 ■
20	19.1	170	1040H69 03 ■

1080H Self-Fastening Hose, in 80m rolls



-20°C to +100°C
16 bars max.

DN	i.d. tubing mm	R minimum bend radius at 20°C (mm)	Order code
16	15.9	140	1080H66 02 ■
16	15.9	140	1080H66 03 ■
20	19.1	170	1080H69 02 ■
20	19.1	170	1080H69 03 ■

1100H Self-Fastening Hose, in 100m rolls



-20°C to +100°C
16 bar max.

DN	i.d. tubing mm	R minimum bend radius at 20°C (mm)	Order code
6	6.3	60	1100H56 02 ■
6	6.3	60	1100H56 03 ■
8	9.5	70	1100H60 02 ■
8	9.5	70	1100H60 03 ■
12	12.7	120	1100H62 02 ■
12	12.7	120	1100H62 03 ■

1025V Braided PVC Hose, 25 m Rolls



0° to +70°C
15 bar

o.d. tubing mm	i.d. tubing mm	R minimum bend radius for tube at 20°C in mm	Order code
8	4	10	1025V08 00 04
11	6	12	1025V11 00 06
13	7	14	1025V13 00 07
14	8	16	1025V14 00 08
16	10	25	1025V16 00 10
18	12	30	1025V18 00 12
23	15	40	1025V23 00 15
26	19	60	1025V26 00 19

3000 Tube Cutter



Order code

3000 71 00

3000 71 11 Tube Cutter



Order code

3000 71 11

Clip Strips for Tubes



ØD	Order code
4	CLIP 04 00
6	CLIP 06 00
8	CLIP 08 00
10	CLIP 10 00
12	CLIP 12 00
14	CLIP 14 00

Safety Couplers & Probes

Passage 5,5mm - ISO B6 profile

-20°C to +60°C
16 bar max.
ISO 4414

9405U Male Body, BSPP



C	Order code
R1/4	9405U06 13
R3/4	9405U06 17
R1/2	9405U06 21

9087U Male Thread, BSPP



C	Order code
G1/4	9087U06 13
G1/8	9087U06 17
G1/2	9087U06 21

9414U Female Body, BSPP



C	Order code
G1/4	9414U06 13
G3/8	9414U06 17
G1/2	9414U06 21

9086 Female Thread, BSPP



C	Order code
G1/4	9086 23 13
G3/8	9086 23 17
G1/2	9086 23 21

9421U with Hosetail



ØD	Order code
6	9421U06 06
8	9421U06 08
10	9421U06 10

9094U with Hosetail



ØD	Order code
6	9094U06 06
8	9094U06 08
10	9094U06 10

9416U Female Body, Panel Mountable, BSPP



C	Order code
G1/4	9416U06 13

9080U with LF3000 Outlet & Protection Spring



ØD	Order code
8	9080U06 08
10	9080U06 10

9410U with LF3000 Outlet & Protection Spring



ØD	Order code
8	9410U06 08
10	9410U06 10

9440U Female Y Body, BSPP



C	Order code
G3/8	9440U06 17

Safety Couplers & Probes

Passage 8mm - ISO B8 profile

-20°C to +60°C
 16 bar max.
 ISO 4414

9405U Male Body, BSPT



C	Order code
G1/4	9405U08 13
G3/4	9405U08 17
G1/2	9405U08 21

9087U Male Thread, BSPP



C	Order code
G1/4	9087U08 13
G3/8	9087U08 17
G1/2	9087U08 21

9414U Female Body, BSPP



C	Order code
G1/4	9414U08 13
G3/4	9414U08 17
G1/2	9414U08 21

9086 Female Thread, BSPP



C	Order code
G1/4	9086 30 13
G3/8	9086 30 17
G1/2	9086 30 21

9421U with Hosetail



ØD	Order code
8	9421U08 08
10	9421U08 10
13	9421U08 13

9094U with Hosetail



ØD	Order code
8	9094U08 08
10	9094U08 10
13	9094U08 13

9416U Female Body, Panel Mountable, BSPP



C	Order code
G3/8	9416U08 17

9080U with LF3000 Outlet & Protection Spring



ØD	Order code
10	9080U08 10
12	9080U08 12

9410U with LF3000 Outlet & Protection Spring



ØD	Order code
10	9410U08 10
12	9410U08 12

9440U Female Y Body, BSPP



C	Order code
G1/2	9440U08 21

Safety Couplers & Probes Passage 7,2mm - EURO Interchange

-20°C to +60°C
16 bar max.
ISO 4414

9401E Male Body, BSPP



C	Order code
G1/4	9401E07 13
G3/8	9401E07 17
G1/2	9401E07 21

9087E Male Thread, BSPP



C	Order code
G1/4	9087E07 13
G3/8	9087E07 17
G1/2	9087E07 21

9414E Female Body, BSPP



C	Order code
G1/4	9414E07 13
G3/8	9414E07 17
G1/2	9414E07 21

9086 Female Thread, BSPP



C	Order code
G1/4	9086 25 13
G3/8	9086 25 17
G1/2	9086 25 21

9421E with Hosetail



ØD	Order code
8	9421E07 08
10	9421E07 10
13	9421E07 13

9094E with Hosetail



ØD	Order code
8	9094E07 08
10	9094E07 10
13	9094E07 13

9416E Female Body, Panel Mountable, BSPP



C	Order code
G3/8	9416E07 17

9080E with LF3000 Outlet & Protection Spring



ØD	Order code
10	9080E07 10
12	9080E07 12

9410E with LF3000 Outlet & Protection Spring



ØD	Order code
10	9410E07 10
12	9410E07 12

9440E Female Y Body, BSPP



C	Order code
G1/2	9440E07 21

Safety Couplers & Probes Passage 5,5mm - ARO Interchange

-20°C to +60°C
 16 bar max.
 ISO 4414

9401A Male Body, BSPP



C	Order code
G1/4	9401A06 13
G3/8	9401A06 17
G1/2	9401A06 21

9087A Male Thread, BSPP



C	Order code
G1/4	9087A06 13
G3/8	9087A06 17
G1/2	9087A06 21

9414A Female Body, BSPP



C	Order code
G1/4	9414A06 13
G3/8	9414A06 17
G1/2	9414A06 21

9086 Female Thread, BSPP



C	Order code
G1/4	9086 22 13
G3/8	9086 22 17
G1/2	9086 22 21

9421A with Hosetail



ØD	Order code
6	9421A06 06
8	9421A06 08
10	9421A06 10

9094A with Hosetail



ØD	Order code
6	9094A06 06
8	9094A06 08
10	9094A06 10

9416A Female Body, Panel Mountable, BSPP



C	Order code
G1/4	9416A 06 13

9080A with LF3000 Outlet & Protection Spring



ØD	Order code
8	9080A06 08
10	9080A06 10

9410A with LF3000 Outlet & Protection Spring



ØD	Order code
8	9410A06 08
10	9410A06 10

9440A Female Y Body, BSPP



C	Order code
G3/8	9440A06 17

Blowguns & Nozzles

-15°C to +50°C
10 bar max.
OSHA & CE

0653 Flow Reducer «Energy Saving» Blowgun, lower connection



C	Order code
G1/4	0653 66 13

0659 Standard Blowgun, with angled nozzle, BSPP



C	Order code
G1/4	0659 00 13

0656 Progressive Control, lower connection, BSPP



C	Order code
G1/4	0656 66 13

0652 Progressive Control, lower connection, BSPP



C	Order code
G1/4	0652 66 13

0654 Safety Blowgun, with angled nozzle, BSPP



C	Order code
G1/4	0654 00 13

0657 Progressive Control, upper connection, BSPP



C	Order code
G1/4	0657 66 13

0655 Progressive Control, upper connection, BSPP



C	Order code
G1/4	0655 66 13

0690 Standard Nozzle



ØD	C	Order code
2.5	M12 x 1,25	0690 01 00

0690 Long Straight Tube Nozzle



ØD	C	Order code
2.5	M12 x 1,25	0690 03 00

0690 Air Screen Nozzle



ØD	C	Order code
2	M12 x 1,25	0690 09 00

0623 Lever Operated Air Gun with Removable Nozzle



ØD	C	Order code
2	G1/4	0623 10 35

0690 Long-Angled Tube Nozzle



ØD	C	Order code
2.5	M12 x 1,25	0690 05 00

0690 Coenda Effect Nozzle



C	Order code
M12 x 1,25	0690 08 00

0690 Booster Nozzle



ØD	C	Order code
2.5	M12 x 1,25	0690 10 00

Blowgun Kits

Includes:

- A blowgun
- Recoil tubing (4 m long), external Ø 8 mm
- G1/4" male thread connector adapted to coupler

Kits are packaged in individual plastic bags.



0631 00 01 Safety Blowgun Kit, lower connection



C	Order code
G1/4	0631 00 01

0631 00 07 Interchangeable Nozzle Blowgun Kit, lower connection



C	Order code
G1/4	0631 00 07

0631 00 08 Flow Reducer «Energy Saving» Blowgun Kit, lower connection



C	Order code
G1/4	0631 00 08

0631 00 05 Angled Nozzle Blowgun Kit, lower connection



C	Order code
G1/4	0631 00 05

0631 00 03 Short Nozzle Blowgun Kit, lower connection



C	Order code
G1/4	0631 00 03

0631 00 09 Standard Blowgun Kit, lower connection



C	Order code
G1/4	0631 00 09

Pneumatic Ball Valves & Action Valves

7913 Mini Ball Valves, 3/2 version, with vent, with push-in connection



ØD	Order code
4	7913 04 00
6	7913 06 00
8	7913 08 00
10	7913 10 00
12	7913 12 00

7914 Mini Ball Valves 3/2 version, with vent, with BSPP thread & push-in connection



ØD	C	Order code
6	G1/8	7914 06 10
8	G1/4	7914 08 13
10	G3/8	7914 10 17
12	G1/2	7914 12 21

7910 Mini Ball Valves, 2/2 version, with push-in connection



ØD	Order code
4	7910 04 00
6	7910 06 00
8	7910 08 00
10	7910 10 00
12	7910 12 00

7911 Mini Ball Valves, 2/2 Version with BSPP thread & push-in connection



ØD	C	Order code
6	G1/8	7911 06 10
8	G1/4	7911 08 13
10	G3/8	7911 10 17
12	G1/2	7911 12 21

0492 Double Female



-20° to +80°C
12 bar

C	DN	Order code
G1/4	4	0492 04 13
G1/4	4	0492 04 13 64
G3/8	7	0492 07 17
G1/2	10	0492 10 21
G3/4	13	0492 13 27

0491 Male & Female, BSPP



-20° to +80°C
12 bar

C	DN	Order code
G1/4	4	0491 04 13
G1/4	4	0491 04 13 64
G3/8	7	0491 07 17
G1/2	10	0491 10 21
G3/4	13	0491 13 27

0402 Standard In-Line Ball Valve - Double Female, BSPP



-20° to +80°C
40 bar

C	DN	Order code
G1/8	4	0402 04 10
G1/8	7	0402 07 10
G1/4	7	0402 07 13
G3/4	10	0402 10 17
G1/2	13	0402 13 21
G3/4	20	0402 20 27
G1"	23	0402 23 34

0401 Standard In-Line Ball Valve, Male Female BSPP



-20° to +80°C
40 bar

ØD	C	Order code
4	G1/8	0401 04 10
7	G1/4	0401 07 13
10	G3/8	0401 10 17
13	G1/2	0401 13 21
18	G3/4	0401 18 27
23	G1"	0401 23 34

4902 In-Line Ball Valves, Fluoropolymer Series, BSPP




-20° to +130°C
30 bar


C	DN	PN	Order code
G1/4	10	30	4902 10 13
G3/8	10	30	4902 10 17
G1/2	15	30	4902 15 21
G3/4	20	30	4902 20 27
G2.1/2	25	30	4902 25 34
G2.1/2	32	25	4902 32 42
G2.1/2	40	25	4902 40 49
G2.1/2	50	25	4902 50 48
G2.1/2	65	25	4902 65 47
G3"	80	25	4902 80 46
G4"	100	25	4902 01 45

Pneumatic Ball Valves & Action Valves


0439 Lockable Ball Valves, Double Female with vent, BSPP

 -20° to +80°C 40 bar	ØD	C	Order code
	4	G1/8	0439 04 10
7	G1/4	0439 07 13	
10	G3/8	0439 10 17	
13	G1/2	0439 13 21	
18	G3/4	0439 18 27	
23	G1"	0439 23 34	


0469 Double Female Vented Ball Valves BSPP

 -20° to +80°C 40 bar	ØD	C	Order code
	4	G1/8	0469 04 10
7	G1/4	0469 07 13	
10	G3/8	0469 10 17	
13	G1/2	0469 13 21	
18	G3/4	0469 18 27	
23	G1"	0469 23 34	


0448 Panel Movable Female, BSPP, right angle porting

 -20° to +80°C 40 bar	ØD	C	Order code
	4	G1/8	0448 04 10
6	G1/4	0448 06 13	
9	G3/8	0448 09 17	
12	G1/2	0448 12 21	

4810 Ball Valve, Double Female BSPP


	C	DN	PN	Order code
	G1/4	8	64	4810 08 13
G3/8	10	64	4810 10 17	
G1/2	15	64	4810 15 21	
G3/4	20	40	4810 20 27	
G1"	25	40	4810 25 34	

0438 Female, 3 port 2 way Lockable Ball Valve, BSPP


 -20° to +80°C 40 bar	ØD	C	Order code
	9	G3/8	0438 09 17
12	G1/2	0438 12 21	
18	G3/4	0438 18 27	
23	G1"	0438 23 34	

The Ball Valves, Universal Series, can be adapted to various applications in semi-standard versions.

0489 In-Line Vented Ball Valves, BSPP, with threaded exhaust

 -20° to +80°C 40 bar	ØD	C	Order code
	7	G1/4	0489 07 13
10	G3/8	0489 10 17	
13	G1/2	0489 13 21	
18	G3/4	0489 18 27	
23	G1"	0489 23 34	

0449 In-Line Vented Ball Valves, BSPP, panel mountable

 -20° to +80°C 40 bar	ØD	C	Order code
	7	G1/4	0449 07 13
10	G3/8	0449 10 17	
13	G1/2	0449 13 21	

Axial Valves

4202 Axial Valve, normally closed, double female, BSPP, FKM Seal



-20° to +135°C
10 bar

C	DN	Order code
G3/8	10	4202 10 17 20
G1/2	15	4202 15 21 20
G3/4	20	4202 20 27 20
G1"	25	4202 25 34 20
G1"1/4	32	4202 32 42 20
G1"1/2	40	4202 40 49 20
G2"	50	4202 50 48 20

4298 Namur Sub-Base for Solenoid Pilot Valve



C	Order code
M5 x 0.8	4298 00 01

4212 Axial Valve, normally open, double female, BSPP, FKM Seal



-20° to +135°C
8 bar

C	DN	Order code
G3/8	10	4212 10 17 20
G1/2	15	4212 15 21 20
G3/4	20	4212 20 27 20
G1"	25	4212 25 34 20
G1"1/4	32	4212 32 42 20
G1"1/2	40	4212 40 49 20
G2"	50	4212 50 48 20

0669 Sleeve Valve, Double Female, BSPP & M5



C	DN	Order code
M5 x 0.8	2	0669 02 19
G1/8	4	0669 04 10
G1/4	7	0669 07 13
G3/8	10	0669 10 17
G1/2	14	0669 14 21
G3/4	19	0669 19 27

4222 Axial Valve, double acting, double female, BSPP, FKM Seal



-20° to +135°C
10 bar

ØD	C	Order code
10	G3/8	4222 10 17 20
15	G1/2	4222 15 21 20
20	G3/4	4222 20 27 20
25	G1"	4222 25 34 20
32	G1.1/4"	4222 32 42 20
40	G1.1/2"	4222 40 49 20
50	G2"	4222 50 48 20

4298 Mini-Solenoid Valve, 1W/ 1,2VA



Voltage	Order code
24V ---	4298 01 01
24V ~	4298 01 02
110V ~	4298 02 01
220V ~	4298 02 02

- Use with plastic or metal tubing
- Positive hold by a flexible grab ring
- Ready to use fitting
- Plastic push button
- Taper thread fittings for general use
- Parallel thread fittings for use with plastic bodied valves
- Other versions available, refer to CD



Ordering information

Prestolok fittings are sold in packs. The package quantities are indicated adjacent to the part numbers. When ordering, order by the quantity required. For example : to obtain 20 Prestolok 2 Equal Union 4mm Tees, purchase order should state:-

Qty 20 EPB4

Note
Orders received for Prestolok fittings in quantities other than pack quantity multiples will be rounded up to the nearest multiple

Operating information

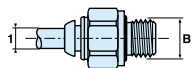
Prestolok Micro
Working pressure 0,01 to 16 bar
Working temperature -25 °C to +80 °C

Prestolok 2
Working pressure 0,01 to 25 bar
Working temperature -25 °C to +70 °C

Prestolok
Working pressure 0,01 to 25 bar
Working temperature -25 °C to +100 °C

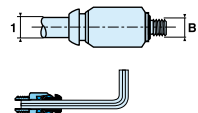
For more information see www.parker.com/euro_pneumatic

Male straight connectors - Parallel thread



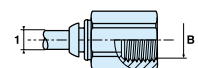
Tube Ø1	Thread B	Order code	Box Qty
4	M5x,0,8	F8PMB4M5	30
6	M5x,0,8	F8PMB6M5	20
4	1/8	F4PMB4-1/8	20
6	1/8	F4PMB6-1/8	30
6	1/4	F4PMB6-1/4	30
8	1/8	F4PB8-1/8	40
8	1/4	F4PB8-1/4	30
8	3/8	F4PB8-3/8	20
10	1/4	F4PB10-1/4	20
10	3/8	F4PB10-3/8	20
10	1/2	F4PB10-1/2	10
12	1/4	F4PB12-1/4	10
12	3/8	F4PB12-3/8	10
12	1/2	F4PB12-1/2	10
14	3/8	F4PB14-3/8	10
14	1/2	F4PB14-1/2	10

Male straight connectors



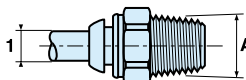
Tube Ø1	Thread B	Order code	Box Qty
4	M5x,0,8	F28PMB4M5	30
6	M5x,0,8	F28PMB6M5	20

Female connectors



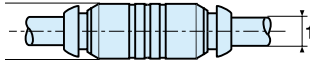
Tube Ø1	Thread B	Order code	Box Qty
4	M5x0,8	G8PMB4M5	10
4	1/8	G4PMB4-1/8	20
4	1/4	G4PMB4-1/4	10
6	1/8	G4PMB6-1/8	20
6	1/4	G4PMB6-1/4	10
8	1/8	G4PB8-1/8	10
8	1/4	G4PB8-1/4	10

Male Connector - BSPT



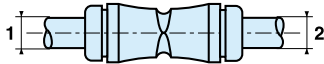
Tube Ø1	Thread A	Order code	Box Qty
4	1/8	F3PMB4-1/8	40
4	1/4	F3PMB4-1/4	30
6	1/8	F3PMB6-1/8	40
6	1/4	F3PMB6-1/4	40
8	1/8	F3PB8-1/8	40
8	1/4	F3PB8-1/4	40
8	3/8	F3PB8-3/8	30
10	1/4	F3PB10-1/4	20
10	3/8	F3PB10-3/8	20
10	1/2	F3PB10-1/2	10
12	1/4	F3PB12-1/4	10
12	3/8	F3PB12-3/8	10
12	1/2	F3PB12-1/2	10
14	3/8	F3PB14-3/8	10
14	1/2	F3PB14-1/2	10

Equal union



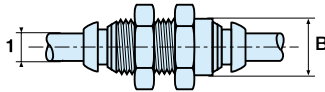
Tube Ø1	Plastic Order code	Box Qty	Metal Order code	Box Qty
4	HPMK4	20	HPB4	30
6	HPMK6	30	HPB6	20
8	HPK8	30	HPB8	20
10	HPK10	20	HPB10	10
12	HPK12	10	HPB12	10
14	HPK14	10	HPB14	5

Unequal union



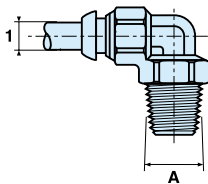
Tube Ø1	Tube Ø2	Plastic Order code	Box Qty
6	4	HPMK6-4	20
8	4	HPK8-4	20
8	6	HPK8-6	20
10	6	HPK10-6	10
10	8	HPK10-8	10
12	10	HPK12-10	10

Bulkhead equal union



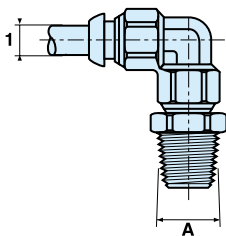
Tube Ø1	Thread B	Metal (Micro) Order code	Box Qty	Metal Order code	Box Qty
4	M11x0.75	WPMB4	10	WPB4	10
6	M13x1	WPMB6	10	WPB6	10
8	M15x1.25			WPB8	10
10	M18x1			WPB10	5
12	M23x1.5			WPB12	5
14	M24x1.5			WPB14	3

Compact elbow - BSPT



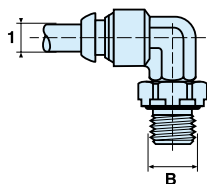
Tube Ø1	Thread A	Metal Order code	Box Qty
4	1/8	C3PB4-1/8	20
6	1/8	C3PB6-1/8	10
6	1/4	C3PB6-1/4	10
8	1/8	C3PB8-1/8	10
8	1/4	C3PB8-1/4	10
10	1/4	C3PB10-1/4	10
10	3/8	C3PB10-3/8	10
12	3/8	C3PB12-3/8	5
12	1/2	C3PB12-1/2	5
14	3/8	C3PB14-3/8	5
14	1/2	C3PB14-1/2	5

Adjustable male elbow - BSPT



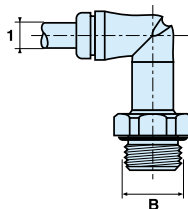
Tube Ø1	Thread A	Plastic Order code	Box Qty	Metal Order code	Box Qty
4	1/8	C63PMK4-1/8	30	C63PB4-1/8	20
4	1/4	C63PMK4-1/4	20	C63PB4-1/4	20
6	1/8	C63PMK6-1/8	20	C63PB6-1/8	20
6	1/4	C63PMK6-1/4	20	C63PB6-1/4	20
8	1/8	C63PK8-1/8	20	C63PB8-1/8	20
8	1/4	C63PK8-1/4	20	C63PB8-1/4	10
8	3/8	C63PK8-3/8	10	C63PB8-3/8	10
10	1/4	C63PK10-1/4	10	C63PB10-1/4	10
10	3/8	C63PK10-3/8	10	C63PB10-3/8	10
10	1/2	C63PK10-1/2	10		
12	1/4	C63PK12-1/4	10	C63PB12-1/4	10
12	3/8	C63PK12-3/8	10	C63PB12-3/8	10
12	1/2	C63PK12-1/2	10	C63PB12-1/2	5
14	3/8	C63PK14-3/8	10	C63PB14-3/8	5
14	1/2	C63PK14-1/2	10	C63PB14-1/2	5

Compact adjustable male elbow - Parallel



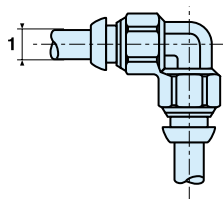
Tube Ø1	Thread B	Plastic Order code	Box Qty	Metal Order code	Box Qty
4	M5x0,8	C68SPK4M5	20	C68SPB4M5	10
4	1/8	C64SPK4-1/8	20	C64SPB4-1/8	10
4	1/4	C64SPK4-1/4	20		
6	1/8	C64SPK6-1/8	20	C64SPB6-1/8	10
6	1/4	C64SPK6-1/4	20	C64SPB6-1/4	10
8	1/8	C64SPK8-1/8	20	C64SPB8-1/8	10
8	1/4	C64SPK8-1/4	20	C64SPB8-1/4	10
8	3/8	C64SPK8-3/8	10	C64SPB8-3/8	10
10	1/4			C64SPB10-1/4	10
10	3/8			C64SPB10-3/8	10
12	1/4			C64SPB12-1/4	10
12	3/8			C64SPB12-3/8	5
12	1/2			C64SPB12-1/2	5

Adjustable extended male elbow - Parallel



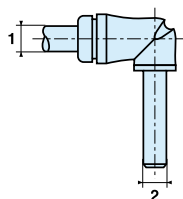
Tube Ø1	Thread B	Plastic Order code	Box Qty
4	1/8	C64LPMK4-1/8	10
4	1/4	C64LPMK4-1/4	10
6	1/8	C64LPMK6-1/8	10
6	1/4	C64LPMK6-1/4	10

Equal union elbow



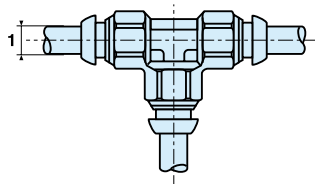
Tube Ø1	Plastic Order code	Box Qty	Metal Order code	Box Qty
4	EPMK4	20	EPB4	20
6	EPMK6	20	EPB6	20
8	EPK8	20	EPB8	10
10	EPK10	10	EPB10	10
12	EPK12	10	EPB12	10
14	EPK14	10	EPB14	5

Compact plug in elbow



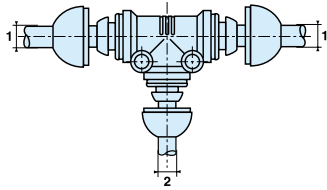
Tube Ø1	Tube Ø2	Plastic Order code	Box Qty
4	4	T2ESPMK4	20
6	6	T2ESPMK6	20
4	6	T2ESPMK4-6	30
8	8	T2ESPK8	20

Equal union tee



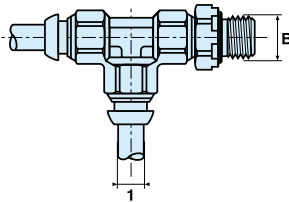
Tube Ø1	Plastic Order code	Box Qty	Metal Order code	Box Qty
4	JPMK4	20	JPB4	10
6	JPMK6	20	JPB6	10
8	JPK8	10	JPB8	10
10	JPK10	10	JPB10	10
12	JPK12	10	JPB12	5
14	JPK14	5	JPB14	5

Unequal union tee



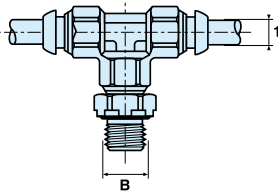
Tube Ø1	Tube Ø2	Plastic Order code	Box Qty
6	4	JPK6-6-4	10
8	6	JPK8-8-6	10
10	8	JPK10-10-8	10
12	10	JPK12-12-10	10
4	6	JPK4-4-6	10
6	8	JPK6-6-8	10
8	10	JPK8-8-10	10
10	12	JPK10-10-12	5

Adjustable male run tee - Parallel



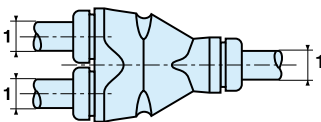
Tube Ø1	Thread B	Plastic Order code	Box Qty	Metal Order code	Box Qty
4	M5x0,8	R68PMK4M5	10	R68PB4M5	10
6	M5x0,8	R68PMK6M5	10	R68PB6M5	10
4	1/8	R64PMK4-1/8	10	R64PB4-1/8	10
4	1/4	R64PMK4-1/4	10	R64PB4-1/4	10
6	1/8	R64PMK6-1/8	10	R64PB6-1/8	10
6	1/4	R64PMK6-1/4	10	R64PB6-1/4	10
8	1/8	R64PK8-1/8	10	R64PB8-1/8	10
8	1/4	R64PK8-1/4	10	R64PB8-1/4	10
8	3/8	R64PK8-3/8	10	R64PB8-3/8	10
10	1/4	R64PK10-1/4	10	R64PB10-1/4	5
10	3/8	R64PK10-3/8	5	R64PB10-3/8	5
12	1/4	R64PK12-1/4	5	R64PB12-1/4	5
12	3/8	R64PK12-3/8	5	R64PB12-3/8	5
14	3/8	R64PK14-3/8	5	R64PB14-3/8	3
14	1/2	R64PK14-1/2	5	R64PB14-1/2	3

Adjustable male branch tee - Parallel



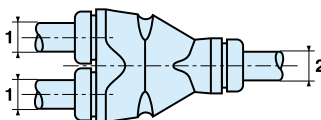
Tube Ø1	Thread B	Plastic Order code	Box Qty	Metal Order code	Box Qty
4	M3x0,5	S68PMK4M3	10		
4	M5x0,8	S68PMK4M5	10	S68PB4M5	10
6	M5x0,8	S68PMK6M5	10	S68PB6M5	10
4	1/8	S64PMK4-1/8	10	S64PB4-1/8	10
4	1/4	S64PMK4-1/4	10	S64PB4-1/4	10
6	1/8	S64PMK6-1/8	10	S64PB6-1/8	10
6	1/4	S64PMK6-1/4	10	S64PB6-1/4	10
8	1/8	S64PK8-1/8	10	S64PB8-1/8	10
8	1/4	S64PK8-1/4	10	S64PB8-1/4	5
8	3/8	S64PK8-3/8	10	S64PB8-3/8	5
10	1/4	S64PK10-1/4	10	S64PB10-1/4	5
10	3/8	S64PK10-3/8	5	S64PB10-3/8	5
12	1/4	S64PK12-1/4	5	S64PB12-1/4	5
12	3/8	S64PK12-3/8	5	S64PB12-3/8	5
14	3/8	S64PK14-3/8	5	S64PB14-3/8	3
14	1/2	S64PK14-1/2	5	S64PB14-1/2	3

Equal union Y connector



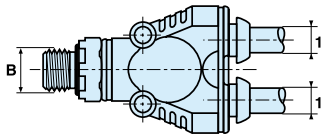
Tube Ø1	Plastic Order code	Box Qty
4	YJPMK4	20
6	YJPMK6	10
8	YJPK8	10
10	YJPK10	10

Unequal union Y connector



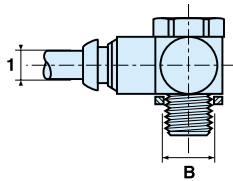
Tube Ø1	Tube Ø2	Plastic Order code	Box Qty
3	4	YJPMK4-3	10
3	6	YJPMK6-3	10
4	6	YJPMK6-4	10
6	8	YJPK6-6-8	10
8	10	YJPK8-8-10	5

Adjustable male Y connector - Parallel



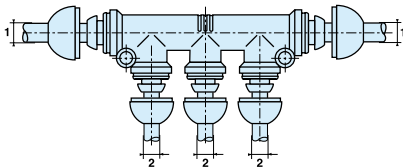
Tube Ø1	Thread B	Plastic Order code	Box Qty
4	M5x0,8	YJ68PMK4M5	10
6	M5x0,8	YJ68PMK6M5	10
4	1/8	YJ64PK4-1/8	10
4	1/4	YJ64PK4-1/4	10
6	1/8	YJ64PK6-1/8	10
6	1/4	YJ64PK6-1/4	10
8	1/8	YJ64PK8-1/8	5
8	1/4	YJ64PK8-1/4	5

Single banjo - assembled - Parallel



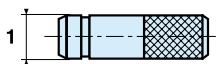
Tube Ø1	Tube Ø2	Metal Order code	Box Qty
4	M5x0,8	COR8PB4M5	20
4	1/8	COR4PB4-1/8	10
6	1/8	COR4PB6-1/8	20
6	1/4	COR4PB6-1/4	20
8	1/8	COR4PB8-1/8	10
8	1/4	COR4PB8-1/4	20
10	3/8	COR4PB10-3/8	10

Multiple tee - 5 connections



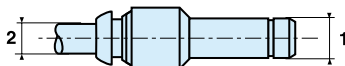
Tube Ø1	Tube Ø2	Plastic Order code	Box Qty
6	4	J5PK6-4	10
8	4	J5PK8-4	5
8	6	J5PK8-6	5
10	6	J5PK10-6	5

Plug



Tube Ø1	Plastic Order code	Box Qty	Metal Order code	Box Qty
4	FNPK4	50	FNPB4	50
6	FNPK6	50	FNPB6	50
8	FNPK8	50	FNPB8	50
10	FNPK10	50	FNPB10	30
12	FNPK12	30	FNPB12	20
14	FNPK14	30	FNPB14	20

Tube end reducer

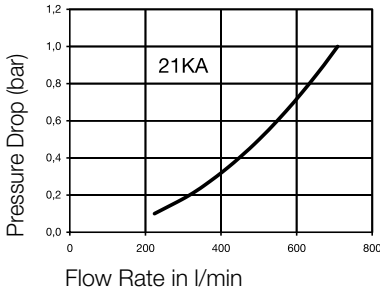


Tube Ø1	Tube Ø2	Plastic Order code	Box Qty	Metal Order code	Box Qty
4	3	TR2PMK4-3	20		
6	4	TR2PK6-4	40	TRPB6-4	20
8	4	TR2PK8-4	40	TRPB8-4	20
8	6	TR2PK8-6	30	TRPB8-6	10
10	4	TR2PK10-4	30	TRPB10-4	10
10	6	TR2PK10-6	30	TRPB10-6	10
10	8	TR2PK10-8	20	TRPB10-8	10
12	6	TR2PK12-6	20	TRPB12-6	10
12	8	TR2PK12-8	20	TRPB12-8	10
12	10	TR2PK12-10	10	TRPB12-10	10
14	8	TR2PK14-8	20	TRPB14-8	10
14	10	TR2PK14-10	10	TRPB14-10	10
14	12	TR2PK14-12	10	TRPB14-12	5

Rectus Series 21KA - DN 5.0

Mini industrial coupling, the world's most commonly used profile. Above average flow performance for liquid and gaseous media. Large band width in materials and valve variants.

Chart / Air



Advantages

- Single handed operation
- Small dimensions
- All versions interchangeable



Working Pressure
PB = 35 bar, maximum static working pressure with safety factor of 4 to 1.

Working Temperature*
-20°C up to +100°C (NBR) depending on the medium.
*At a temperature below -20°C and above +100°C special seals are available on request.

Material

Coupling	
Back Body	Brass
Valve Body	Brass
Sleeve	Brass
Valve	Brass
Spring and Locking Ring	AISI 301
Locking Balls	AISI 420
Seals	NBR
Plug	Brass

Coupling - Male Thread BSPP

Thread A	Order code	Box Qty
1/8"	21KAAW10MPX	20
1/4"	21KAAW13MPX	20

Plug - Male Thread BSPP

Thread A	Order code	Box Qty
1/8"	21SFAW10MXX	20
1/4"	21SFAW13MXX	20

Coupling - Female Thread BSPP

Thread A	Order code	Box Qty
1/8"	21KAIW10MPX	20
1/4"	21KAIW13MPX	20

Plug - Female Thread BSPP

Thread A	Order code	Box Qty
1/8"	21SFIW10MXX	20

Coupling - Hose Barb

Thread A	Order code	Box Qty
6 mm	21KATF06MPX	20
8 mm	21KATF08MPX	20

Plug - Hose Barb

Thread A	Order code	Box Qty
6 mm	21SFTF06MXX	20
8 mm	21SFTF08MXX	20

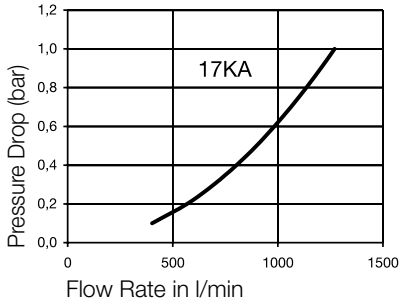
Plug - Plastic Hose Connection

Thread A	Order code	Box Qty
4x6 mm	21SFKO06MXX	20
6x8 mm	21SFKO08MXX	20

Rectus Series 17KA - DN 5.0

English profile industrial coupling. Specially suited to compressed air applications. Brass/steel design developed for industry. Schrader (DN 5.0) Interchange.

Chart / Air



Advantages

- Single handed operation
- Small dimensions, light weight
- UltraFlo technology with high flow valve



Working Pressure

PB = 35 bar, maximum static working pressure with safety factor of 4 to 1.

Working Temperature*

-20°C up to +100°C (NBR) depending on the medium.
*At a temperature below -20°C and above +100°C special seals are available on request.

Material

Coupling

Back Body	Brass, Nickel Plated
Valve Body	Steel Hardened, Zinc Pl.
Sleeve	Steel Hardened, Nickel Pl.
Valve	Brass
Inner Sleeve	Brass
Spring Plate	Brass
Spring and Locking Ring	AISI 303
Locking Balls	AISI 420
Seals	NBR

Plug

Steel Hardened, Nickel Pl.

Coupling - Male Thread BSPT



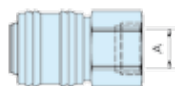
Thread A	Order code	Box Qty
1/4"	17KAAK13SPN	10
3/8"	17KAAK17SPN	10
1/2"	17KAAK21SPN	10

Plug - Male Thread BSPT



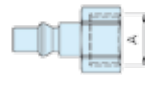
Thread A	Order code	Box Qty
1/8"	17SFAK10SXN	20
1/4"	17SFAK13SXN	20

Coupling - Female Thread BSPP



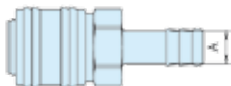
Thread A	Order code	Box Qty
1/4"	17KAIW13SPN	10
1/2"	17KAIW21SPN	10

Plug - Female Thread BSPP



Thread A	Order code	Box Qty
1/8"	17SFIW10SXN	20
1/4"	17SFIW13SXN	20

Coupling - Hose Barb



Thread A	Order code	Box Qty
8 mm	17KATF08SPN	10
10 mm	17KATF10SPN	10

Plug - Hose Barb

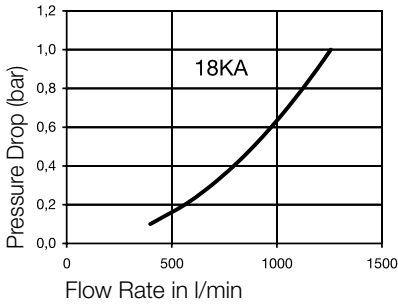


Thread A	Order code	Box Qty
8 mm	17SFTF08SXN	20
10 mm	17SFTF10SXN	20

Rectus Series 18KA - DN 5.5

ISO 6150 C industrial coupling with UltraFlo technology. Robust design. The steel sleeve counters oscillating forces. System has limited use for liquids (steel sleeve/ zinc die cast valve).

Chart / Air



Advantages

- Single handed operation
- Plug design optimised through greater insert depth
- Innovative valve technology with high flow valve



Working Pressure

PB = 35 bar, maximum static working pressure with safety factor of 4 to 1.

Working Temperature*

-20°C up to +100°C (NBR) depending on the medium.

*At a temperature below -20°C and above +100°C special seals are available on request.

Material

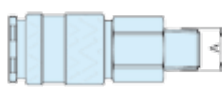
Coupling

Back Body	Brass, Nickel Plated
Valve Body	Brass, Nickel Plated
Sleeve	Steel Hardened, Nickel Pl.
Valve	Zinc Diecasting, Nickel Pl.
Inner Sleeve	Brass
Spring Plate	Brass
Spring / Locking Ring	AISI 301
Locking Balls	AISI 420
Seals	NBR

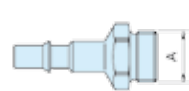
Plug

Steel Hardened, Nickel Pl.

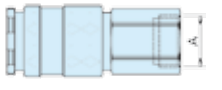
Coupling - Male Thread BSPT

	Thread A	Order code	Box Qty
	1/4"	18KAAK13MPN	5
	3/8"	18KAAK17MPN	5

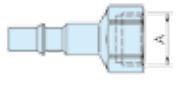
Plug - Male Thread BSPT

	Thread A	Order code	Box Qty
	1/4"	18SFAK13SXN	20
	3/8"	18SFAK17SXN	5

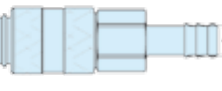
Coupling - Female Thread BSPP

	Thread A	Order code	Box Qty
	1/4"	18KAIW13MPN	5
	3/8"	18KAIW17MPN	5
	1/2"	18KAIW21MPN	5

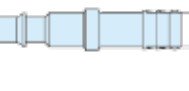
Plug - Female Thread BSPP

	Thread A	Order code	Box Qty
	1/4"	18SFIW13SXN	20
	3/8"	18SFIW17SXN	20

Coupling - Hose Barb

	Thread A	Order code	Box Qty
	8 mm	18KATF08MPN	5
	10 mm	18KATF10MPN	5

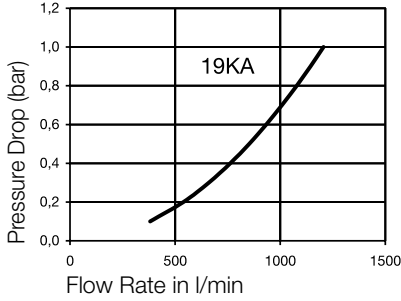
Plug - Hose Barb

	Thread A	Order code	Box Qty
	6 mm	18SFTF06SXN	20
	8 mm	18SFTF08SXN	20
	10 mm	18SFTF10SXN	20

Rectus Series 19KA - DN 5.5

English industrial profile with UltraFlo technology. Compact dimensions. Robust coupling for compressed air applications. The steel sleeve counters oscillating forces.

Chart / Air



Advantages

- Single handed operation
- Plug design optimised through greater insert depth
- UltraFlo technology with high flow valve



Working Pressure

PB = 35 bar, maximum static working pressure with safety factor of 4 to 1.

Working Temperature*

-20°C up to +100°C (NBR) depending on the medium.

*At a temperature below -20°C and above +100°C special seals are available on request.

Material

Coupling

Back Body	Brass, Nickel Plated
Valve Body	Brass, Nickel Plated
Sleeve	Steel Hardened, Nickel Pl.
Valve	Zinc Diecasting, Nickel Pl.
Inner Sleeve	Brass
Spring Plate	Brass
Spring / Locking Ring	AISI 301
Locking Balls	AISI 420
Seals	NBR

Plug

Steel Hardened, Nickel Pl.

Coupling - Male Thread BSPT

Thread A	Order code	Box Qty
1/4"	19KAAK13MPN	10
3/8"	19KAAK17MPN	10
1/2"	19KAAK21MPN	10

Plug - Male Thread BSPT

Thread A	Order code	Box Qty
1/4"	19SFAK13SXN	20
3/8"	19SFAK17SXN	20

Coupling - Female Thread BSPP

Thread A	Order code	Box Qty
1/4"	19KAIW13MPN	10
1/2"	19KAIW21MPN	10

Plug - Female Thread BSPP

Thread A	Order code	Box Qty
1/4"	19SFIW13SXN	20
3/8"	19SFIW17SXN	20

Coupling - Hose Barb

Thread A	Order code	Box Qty
8 mm	19KATF08MPN	10
10 mm	19KATF10MPN	10

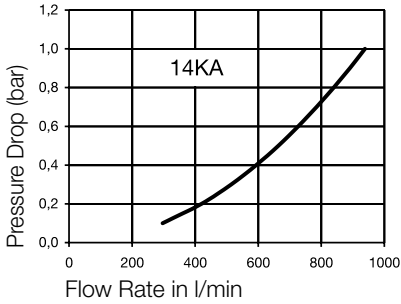
Plug - Hose Barb

Thread A	Order code	Box Qty
6 mm	19SFTF06SXN	20
8 mm	19SFTF08SXN	20
10 mm	19SFTF10SXN	20

Rectus Series 14KA - DN 5.5

Robust brass coupling. Numerous connection options. Preferred application: compressed air technology and water connections. ARO 210 Interchangeable.

Chart / Air



Advantages

- Single handed operation
- Optimised plug design through greater insert depth



Working Pressure

PB = 35 bar, maximum static working pressure with safety factor of 4 to 1.

Working Temperature*

-20°C up to +100°C (NBR) depending on the medium.

*At a temperature below -20°C and above +100°C special seals are available on request.

Material

Coupling

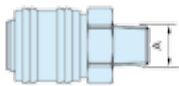
Back Body Brass
 Valve Body Brass
 Sleeve Brass
 Valve Brass
 Spring and Locking Ring AISI 301

Pins AISI 420
 Seals NBR

Plug

Steel Hardened,
 Nickel Plated

Coupling - Male Thread BSPP



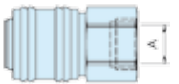
Thread A	Order code	Box Qty
1/4"	14KAAW13MPX	20
3/8"	14KAAW17MPX	20
1/2"	14KAAW21MPX	20

Plug - Male Thread BSPT



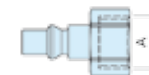
Thread A	Order code	Box Qty
1/4"	22SFAK13SXN	20
3/8"	22SFAK17SXN	20
1/2"	22SFAK21SXN	10

Coupling - Female Thread BSPP



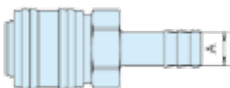
Thread A	Order code	Box Qty
1/4"	14KAIW13MPX	20
1/2"	14KAIW21MPX	20

Plug - Female Thread BSPP



Thread A	Order code	Box Qty
1/4"	22SFIW13SXN	20
3/8"	22SFIW17SXN	20

Coupling - Hose Barb



Thread A	Order code	Box Qty
8 mm	14KATF08MPX	20
10 mm	14KATF10MPX	20

Plug - Hose Barb

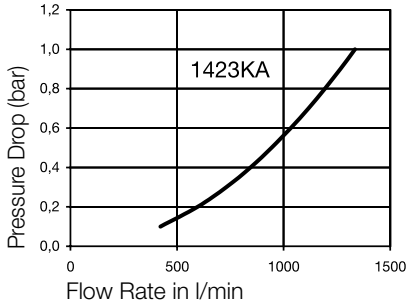


Thread A	Order code	Box Qty
6 mm	22SFTF06SXN	20
8 mm	22SFTF08SXN	20
10 mm	22SFTF10SXN	20

Rectus Series 1423KA - DN 5.5

RectusTema premium 1/4" industrial coupling - the know-how from both brands combined in one system. Conforming to ISO 6150 B. High grade valve technology for optimum flow performance. Especially robust 2-component plastic sleeve.

Chart / Air



Advantages

- Single handed operation
- High flow valve
- Minimum coupling forces



Working Pressure

PB = 35 bar, maximum static working pressure with safety factor of 4 to 1.

Working Temperature*

-20°C up to +40°C (NBR) depending on the medium.
*At a temperature below -20°C and above +40°C special seals are available on request.

Material

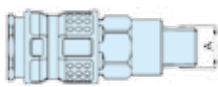
Coupling

Back Body	Brass, Nickel Plated
Valve Body	Steel, QPQ treated
Sleeve	PA6 + TPE
Valve	Brass
Spring	AISI 301
Locking Ring and Locking Balls	AISI 420
Seals	NBR

Plug

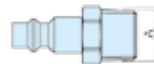
Steel Hardened, Nickel Plated

Coupling - Male Thread BSPT



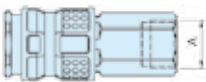
Thread A	Order code	Box Qty
3/8"	1423KAAK17SPN	10
1/2"	1423KAAK21SPN	10

Plug - Male Thread BSPT



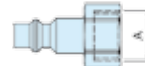
Thread A	Order code	Box Qty
1/4"	23SFAK13SXN	20
3/8"	23SFAK17SXN	20

Coupling - Female Thread BSPP



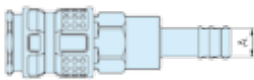
Thread A	Order code	Box Qty
1/2"	1423KAIW21SPN	10

Plug - Female Thread BSPP



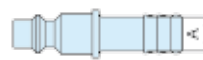
Thread A	Order code	Box Qty
1/4"	23SFIW13SXN	20
3/8"	23SFIW17SXN	20

Coupling - Hose Barb



Thread A	Order code	Box Qty
9 mm	1423KATF09SPN	10
13 mm	1423KATF13SPN	10

Plug - Hose Barb

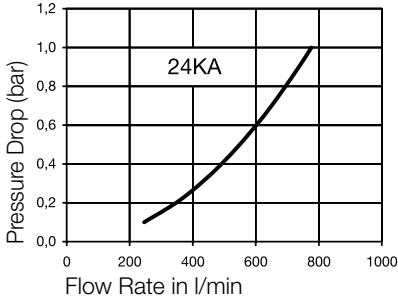


Thread A	Order code	Box Qty
6 mm	23SFTF06SXN	20
8 mm	23SFTF08SXN	20
10 mm	23SFTF10SXN	20

Rectus Series 24KA - DN 5.5

1/4" Industrial brass coupling conforming to ISO 6150B and US Mil. Spec 4109. Notable for brass mass design and corresponding sleeve design. Hardened steel plug counters vibrations and effects of external forces.

Chart / Air



Advantages

- Single handed operation



Working Pressure

PB = 35 bar, maximum static working pressure with safety factor of 4 to 1.

Working Temperature*

-20°C up to +100°C (NBR) depending on the medium.
*At a temperature below -20°C and above +100°C special seals are available on request.

Material

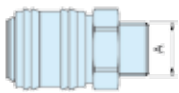
Coupling

Back Body	Brass
Valve Body	Brass
Sleeve	Brass
Valve	Brass
Spring and Locking Ring	AISI 301
Pins	AISI 420
Seals	NBR

Plug

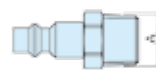
Steel Hardened,
Nickel Plated

Coupling - Male Thread BSPP



Thread A	Order code	Box Qty
1/4"	24KAAW13MPX	20
3/8"	24KAAW17MPX	20
1/2"	24KAAW21MPX	20

Plug - Male Thread BSPT



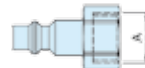
Thread A	Order code	Box Qty
1/4"	23SFAK13SXN	20
3/8"	23SFAK17SXN	20

Coupling - Female Thread BSPP



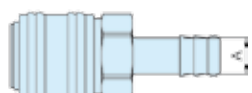
Thread A	Order code	Box Qty
1/4"	24KAIW13MPX	20
3/8"	24KAIW17MPX	20
1/2"	24KAIW21MPX	20

Plug - Female Thread BSPP



Thread A	Order code	Box Qty
1/4"	23SFIW13SXN	20
3/8"	23SFIW17SXN	20

Coupling - Hose Barb



Thread A	Order code	Box Qty
8 mm	24KATF08MPX	20
10 mm	24KATF10MPX	20

Plug - Hose Barb

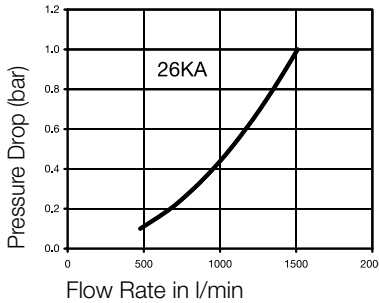


Thread A	Order code	Box Qty
6 mm	23SFTF06SXN	20
8 mm	23SFTF08SXN	20
10 mm	23SFTF10SXN	20

Rectus Series 26KA - DN 7.2

European standard industrial profile. Universal brass coupling. Ergonomic sleeve design prevents dirt on the valve body. Series 26 plugs in brass. Series 25 steel plugs recommended for oscillating forces.

Chart / Air



Advantages

- Single handed operation
- European standard
- Small mass size



Working Pressure

PB = 35 bar, maximum static working pressure with safety factor of 4 to 1.

Working Temperature*

-20°C up to +100°C (NBR) depending on the medium.

*At a temperature below -20°C and above +100°C special seals are available on request.

Material

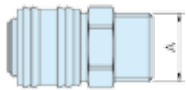
Coupling

Back Body	Brass
Valve Body	Brass
Sleeve	Brass
Valve	Brass
Spring and Locking Ring	AISI 301
Locking Pins	AISI 420
Seals	NBR

Plug

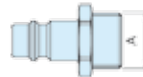
Brass

Coupling - Male Thread BSPP



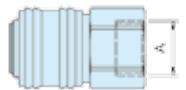
Thread A	Order code	Box Qty
1/4"	26KAAW13MPX	20
3/8"	26KAAW17MPX	20
1/2"	26KAAW21MPX	20

Plug - Male Thread BSPP



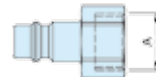
Thread A	Order code	Box Qty
1/4"	26SFAW13MXX	20
3/8"	26SFAW17MXX	20

Coupling - Female Thread BSPP



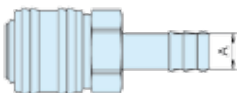
Thread A	Order code	Box Qty
1/4"	26KAIW13MPX	20
1/2"	26KAIW21MPX	20

Plug - Female Thread BSPP



Thread A	Order code	Box Qty
1/4"	26SFIW13MXX	20
3/8"	26SFIW17MXX	20

Coupling - Hose Barb



Thread A	Order code	Box Qty
6 mm	26KATF06MPX	20
8 mm	26KATF08MPX	20
9 mm	26KATF09MPX	20

Plug - Hose Barb



Thread A	Order code	Box Qty
6 mm	26SFTF06MXX	20
8 mm	26SFTF08MXX	20
9 mm	26SFTF09MXX	20

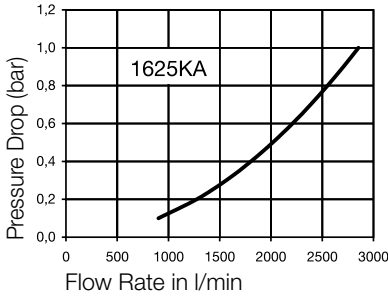
Rectus Series 1625KA - DN 7.8

Rectus Tema premium European standard industrial coupling – the know-how from both brands combined in one system. Extremely robust 2-component plastic sleeve. Suitable for compressed air applications with above average air consumption.

Advantages

- Single handed operation
- High grade valve technology with optimum flow performance
- Minimum coupling forces

Chart / Air



Working Pressure

PB = 35 bar, maximum static working pressure with safety factor of 4 to 1.

Working Temperature*

-20°C up to +40°C (NBR) depending on the medium.
*At a temperature below -20°C and above +40°C special seals are available on request.

Material

Coupling

Back Body	Brass, Nickel Plated
Valve Body	Steel, QPQ treated
Sleeve	PA6 + TPE
Valve	Brass
Spring and Locking Ring	AISI 301
Locking Balls	AISI 420
Seals	NBR

Plug

Steel Hardened, Zinc Plated

Coupling - Male Thread BSPT

Thread A	Order code	Box Qty
3/8"	1625KAAK17SPN	10
1/2"	1625KAAK21SPN	10

Plug - Male Thread BSPT

Thread A	Order code	Box Qty
1/4"	25SFAK13SXZ	20
3/8"	25SFAK17SXZ	20
1/2"	25SFAK21SXZ	10

Coupling - Female Thread BSPP

Thread A	Order code	Box Qty
1/2"	1625KAIW21SPN	10

Plug - Female Thread BSPP

Thread A	Order code	Box Qty
1/4"	25SFIW13SXZ	20
3/8"	25SFIW17SXZ	20

Coupling - Hose Barb

Thread A	Order code	Box Qty
9 mm	1625KATF09SPN	10
13 mm	1625KATF13SPN	10

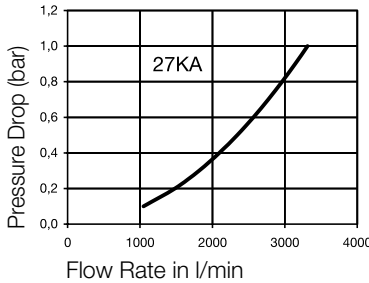
Plug - Hose Barb

Thread A	Order code	Box Qty
9 mm	25SFTF09SXZ	20
13 mm	25SFTF13SXZ	20

Rectus Series 27KA - DN 10

1/2" European industrial profile with UltraFlo technology. High flow performance. Notable for robust design with steel sleeve in use with large pneumatic consumers. Also available in brass.

Chart / Air



Advantages

- Single handed operation
- High flow valve - low pressure drop
- No damage to the valve body from binding design



Working Pressure

PB = 35 bar, maximum static working pressure with safety factor of 4 to 1.

Working Temperature*

-20°C up to +100°C (NBR) depending on the medium.
*At a temperature below -20°C and above +100°C special seals are available on request.

Material

Coupling

Back Body	Brass, Nickel Plated
Valve Body	Brass, Nickel Plated
Sleeve	Steel Hardened, Nickel Pl.
Valve	Brass
Inner Sleeve	Brass
Spring Plate	Brass
Spring and Locking Ring	AISI 301
Locking Balls	AISI 420
Seals	NBR

Plug

Steel Hardened, Nickel Pl.

Coupling - Male Thread BSPT



Thread A	Order code	Box Qty
3/8"	27KAAK17MPN	2
1/2"	27KAAK21MPN	2

Plug - Male Thread BSPT



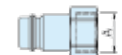
Thread A	Order code	Box Qty
1/4"	27SFAK13SXN	10
3/8"	27SFAK17SXN	10
1/2"	27SFAK21SXN	10

Coupling - Female Thread BSPP



Thread A	Order code	Box Qty
3/8"	27KAIW17MPN	5
1/2"	27KAIW21MPN	5

Plug - Female Thread BSPP



Thread A	Order code	Box Qty
3/8"	27SFIW17SXN	10
1/2"	27SFIW21SXN	10

Coupling - Hose Barb



Thread A	Order code	Box Qty
10 mm	27KATF10MPN	2
13 mm	27KATF13MPN	2

Plug - Hose Barb

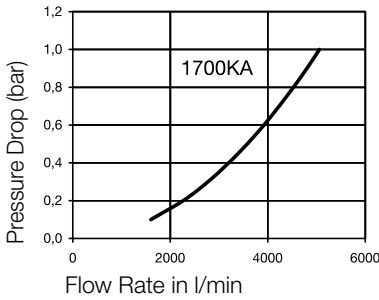


Thread A	Order code	Box Qty
8 mm	27SFTF08SXN	20
10 mm	27SFTF10SXN	20
13 mm	27SFTF13SXN	10

Rectus Series 1700KA - DN 10

Premium industrial coupling in nominal diameter 10 with high grade valve technology and unprecedented flow values and minimum coupling forces. Especially suited to compressed air applications with above average air consumption.

Chart / Air



Advantages

- Single handed operation
- High flow valve
- Minimum coupling forces



Working Pressure

PB = 35 bar, maximum static working pressure with safety factor of 4 to 1.

Working Temperature*

-20°C up to +100°C (NBR) depending on the medium.

*At a temperature below -20°C and above +100°C special seals are available on request.

Material

Coupling

Back Body	Brass, Nickel Plated
Valve Body	Steel, QPQ treated
Sleeve	Brass, Nickel Plated
Valve	Brass
Spring and Locking Ring	AISI 301
Locking Balls	AISI 420
Seals	NBR

Plug

Steel Hardened, Zinc Plated

Coupling - Male Thread BSPT



Thread A	Order code	Box Qty
3/8"	1700KAAK17SPN	5
1/2"	1700KAAK21SPN	5
3/4"	1700KAAK26SPN	5

Plug - Male Thread BSPT



Thread A	Order code	Box Qty
1/4"	27SFAK13SXN	10
3/8"	27SFAK17SXN	10
1/2"	27SFAK21SXN	10

Coupling - Female Thread BSPP



Thread A	Order code	Box Qty
3/8"	1700KAIW17SPN	5
1/2"	1700KAIW21SPN	5
3/4"	1700KAIW26SPN	5

Plug - Female Thread BSPP



Thread A	Order code	Box Qty
3/8"	27SFIW17SXN	10
1/2"	27SFIW21SXN	10

Coupling - Hose Barb



Thread A	Order code	Box Qty
10 mm	1700KATF10SPN	5
13 mm	1700KATF13SPN	5
16 mm	1700KATF16SPN	5

Plug - Hose Barb

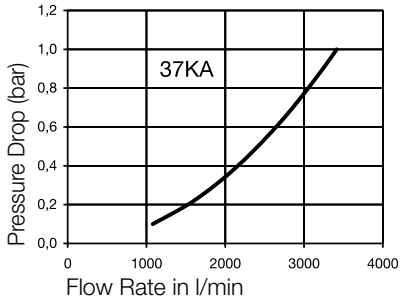


Thread A	Order code	Box Qty
8 mm	27SFTF08SXN	20
10 mm	27SFTF10SXN	20
13 mm	27SFTF13SXN	10

Rectus Series 37KA - DN 11

1/2" Coupling-system according to US-MIL-Spec. C-4109 made of brass. Plug design optimised through greater insert depth.

Chart / Air



Advantages

- Single handed operation
- Tough construction



Working Pressure

PB = 35 bar, maximum static working pressure with safety factor of 4 to 1.

Working Temperature*

-20°C up to +100°C (NBR) depending on the medium.

*At a temperature below -20°C and above +100°C special seals are available on request.

Material

Coupling

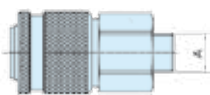
Back Body Brass
 Valve Body Brass
 Sleeve Brass
 Valve Brass
 Spring and Locking Ring AISI 301

Locking Balls AISI 420
 Seals NBR

Plug

Steel Hardened, Nickel Plated

Coupling - Male Thread BSPP



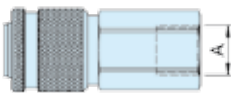
Thread A	Order code	Box Qty
3/8"	37KAAW17MPX	2
1/2"	37KAAW21MPX	2
3/4"	37KAAW26MPX	2

Plug - Male Thread BSPT



Thread A	Order code	Box Qty
1/2"	37SFAK21SXN	10
3/4"	37SFAK26SXN	5

Coupling - Female Thread BSPP



Thread A	Order code	Box Qty
3/8"	37KAIW17MPX	2
1/2"	37KAIW21MPX	2
3/4"	37KAIW26MPX	2

Plug - Female Thread BSPP



Thread A	Order code	Box Qty
1/2"	37SFIW21SXN	5
3/4"	37SFIW26SXN	5

Plug - Hose Barb

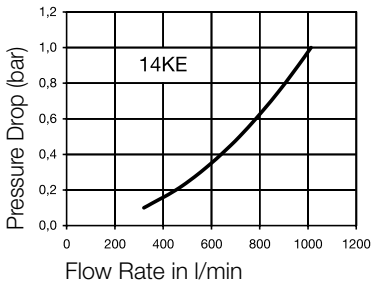


Thread A	Order code	Box Qty
13 mm	37SFTF13SXN	10
16 mm	37SFTF16SXN	10
19 mm	37SFTF19SXN	5

Rectus Self-Venting Series 14KE - DN 5.5

The connection is made the same way as with all other quick connect coupling series, by simply pushing the plug in the coupling. The audible latching when the plug is securely in place signifies that the coupling is locked. The sleeve must be pulled back to release the first locking system before it can be disconnected. This closes the coupling valve. The compressed downstream air can now escape from the plug (hose). Pulling the sleeve back a second time releases the second locking system. The connection can now be safely undone. This self-venting coupling, designed for bleeding off trapped air, is not suitable for direct connection to compressed air tools.

Chart / Air



Advantages

- The system fulfils the requirements of ISO 4414
- increased safety standards in the work place
 - the plastic sleeve does not scratch working surfaces



Caution

Not recommended for direct connection to compressed air tools. Reliable functioning can only be guaranteed in conjunction with original Rectus plugs made of steel.

Working Pressure

PB = 12 bar, maximum static working pressure with safety factor of 4 to 1.

Working Temperature*

-20°C up to +60°C (NBR) depending on the medium.
*At a temperature below -20°C and above +60°C special seals are available on request.

Material

Coupling

Back Body	Brass, Nickel Plated
Valve Body	Brass, Nickel Plated
Sleeve	Thermoplastic
Valve	Brass
Spring	AISI 301
Locking Balls	AISI 420
Seals	NBR
Pins	AISI 420

Plug

Steel Hardened, Nickel Pl.

Coupling - Male Thread BSPT

Thread A	Order code	Box Qty
1/4"	14KEAK13MPN	10
1/2"	14KEAK21MPN	10

Plug - Male Thread BSPT

Thread A	Order code	Box Qty
1/4"	22SFAK13SXXN	20
3/8"	22SFAK17SXXN	20
1/2"	22SFAK21SXXN	10

Coupling - Female Thread BSPP

Thread A	Order code	Box Qty
1/4"	14KEIW13MPN	10
1/2"	14KEIW21MPN	10

Plug - Female Thread BSPP

Thread A	Order code	Box Qty
1/4"	22SFIW13SXXN	20
3/8"	22SFIW17SXXN	20

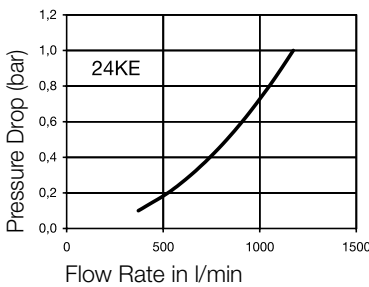
Plug - Hose Barb

Thread A	Order code	Box Qty
6 mm	22SFTF06SXXN	20
8 mm	22SFTF08SXXN	20
10 mm	22SFTF10SXXN	20

Rectus Self-Venting Series 24KE - DN 5.5

The connection is made the same way as with all other quick connect coupling series, by simply pushing the plug in the coupling. The audible latching when the plug is securely in place signifies that the coupling is locked. The sleeve must be pulled back to release the first locking system before it can be disconnected. This closes the coupling valve. The compressed downstream air can now escape from the plug (hose). Pulling the sleeve back a second time releases the second locking system. The connection can now be safely undone. This self-venting coupling, designed for bleeding off trapped air, is not suitable for direct connection to compressed air tools.

Chart / Air



Advantages

- The system fulfils the requirements of ISO 4414
- increased safety standards in the work place
 - the plastic sleeve does not scratch working surfaces



Caution

Not recommended for direct connection to compressed air tools. Reliable functioning can only be guaranteed in conjunction with original Rectus plugs made of steel.

Working Pressure

PB = 12 bar, maximum static working pressure with safety factor of 4 to 1.

Working Temperature*

-20°C up to +60°C (NBR) depending on the medium.
*At a temperature below -20°C and above +60°C special seals are available on request.

Material

Coupling

Back Body	Brass, Nickel Plated
Valve Body	Brass, Nickel Plated
Sleeve	Thermoplastic
Valve	Brass
Spring and Locking Ring	AISI 301
Locking Balls	AISI 420
Seals	NBR
Pins	AISI 420

Plug

Steel Hardened, Nickel Pl.

Coupling - Male Thread BSPT

Thread A	Order code	Box Qty
1/4"	24KEAK13MPN	10
1/2"	24KEAK21MPN	10

Coupling - Female Thread BSPP

Thread A	Order code	Box Qty
1/4"	24KEIW13MPN	10
1/2"	24KEIW21MPN	10

Plug - Male Thread BSPT

Thread A	Order code	Box Qty
1/4"	23SFAK13SXN	20
3/8"	23SFAK17SXN	20

Plug - Female Thread BSPP

Thread A	Order code	Box Qty
3/8"	23SFIW13SXN	20
1/2"	23SFIW17SXN	20

Plug - Hose Barb

Thread A	Order code	Box Qty
6 mm	23SFTF06SXN	20
8 mm	23SFTF08SXN	20
10 mm	23SFTF10SXN	20

Rectus Self-Venting Series 26KE - DN 7.4

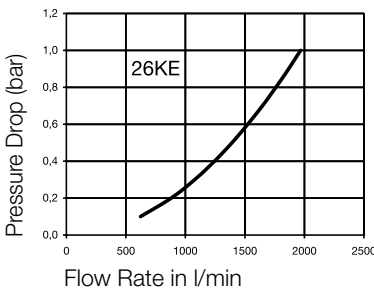
The connection is made the same way as with all other quick connect coupling series, by simply pushing the plug in the coupling. The audible latching when the plug is securely in place signifies that the coupling is locked. The sleeve must be pulled back to release the first locking system before it can be disconnected. This closes the coupling valve. The compressed downstream air can now escape from the plug (hose). Pulling the sleeve back a second time releases the second locking system. The connection can now be safely undone. This self-venting coupling, designed for bleeding off trapped air, is not suitable for direct connection to compressed air tools.

Advantages

- The system fulfils the requirements of ISO 4414
- increased safety standards in the work place
 - the plastic sleeve does not scratch working surfaces



Chart / Air



Caution

Not recommended for direct connection to compressed air tools. Reliable functioning can only be guaranteed in conjunction with original Rectus plugs made of steel.

Working Pressure

PB = 12 bar, maximum static working pressure with safety factor of 4 to 1.

Working Temperature*

-20°C up to +60°C (NBR) depending on the medium.
*At a temperature below -20°C and above +60°C special seals are available on request.

Material

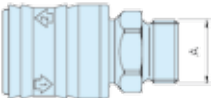
Coupling

Back Body Brass, Nickel Plated
Valve Body Brass, Nickel Plated
Sleeve Thermoplastic
Valve Brass
Spring AISI 301
Locking Balls AISI 420
Seals NBR
Pin AISI 420

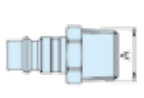
Plug

Steel Hardened, Nickel Pl.

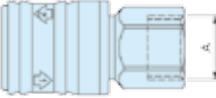
Coupling - Male Thread BSPP

	Thread A	Order code	Box Qty
	1/4"	26KEAW13MPN	10
1/2"	26KEAW21MPN	10	

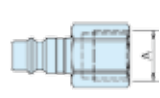
Plug - Male Thread BSPT

	Thread A	Order code	Box Qty
	1/4"	25SFAK13SXZ	20
3/8"	25SFAK17SXZ	20	
1/2"	25SFAK21SXZ	10	


Coupling - Female Thread BSPP

	Thread A	Order code	Box Qty
	1/4"	26KEIW13MPN	5
3/8"	26KEIW17MPN	5	

Plug - Female Thread BSPP

	Thread A	Order code	Box Qty
	1/4"	25SFIW13SXZ	20
3/8"	25SFIW17SXZ	20	

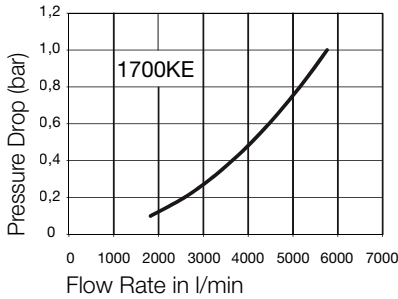
Plug - Hose Barb

	Thread A	Order code	Box Qty
	9 mm	25SFTF09SXZ	20
13 mm	25SFTF13SXZ	20	

Rectus Self-Venting Series 1700KE - DN 10

The 1700KE series is a safety coupling with a self-venting system. When the sleeve is pulled back, the plug is released yet remains locked in. The coupling valve closes. The compressed air can now escape from the plug (hose). By operating the sleeve again in the direction of the plug, the second locking system is released. Only now can the connection be disengaged.

Chart / Air



Working Pressure

PB = 12 bar, maximum static working pressure with safety factor of 4 to 1.

Working Temperature*

-20°C up to +100°C (NBR) depending on the medium.

*At a temperature below -20°C and above +100°C special seals are available on request.

Advantages

The system fulfils the requirements of ISO 4414

- increased safety standards in the work place
- robust, all-metal structure
- high-flow-valve



Caution

Not recommended for direct connection to compressed air tools. Reliable functioning can only be guaranteed in conjunction with original Parker Rectus plugs made of steel.

Material

Coupling

Back Body
Valve Body

Brass, Nickel Plated
Steel, Zinc plated,
Thick-film passivated

Sleeve

Steel, Hardened, Nickel Pl.

Valve

Brass

Spring

AISI 301

Locking Balls

AISI 420

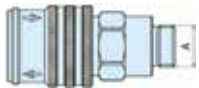
Seals

NBR

Plug

Steel Hardened, Nickel Pl.

Coupling - Male Thread BSPT



Thread A	Order code	Box Qty
3/8"	1700KEAW17SPN	5
1/2"	1700KEAW21SPN	5
3/4"	1700KEAW26SPN	5

Plug - Male Thread BSPT



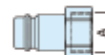
Thread A	Order code	Box Qty
1/4"	27SFAK13SXN	10
3/8"	27SFAK17SXN	10
1/2"	27SFAK21SXN	10

Coupling - Female Thread BSPP



Thread A	Order code	Box Qty
3/8"	1700KEIW17SPN	5
1/2"	1700KEIW21SPN	5
3/4"	1700KEIW26SPN	5

Plug - Female Thread BSPP



Thread A	Order code	Box Qty
3/8"	27SFIW17SXN	10
1/2"	27SFIW21SXN	10

Plug - Hose Barb



Thread A	Order code	Box Qty
8 mm	27SFTF08SXN	10
10 mm	27SFTF10SXN	10
13 mm	27SFTF13SXN	10

Blow Guns

Plastic - with Aluminium Extension Nozzle



Thread	Order code	Box Qty
1/4"	AK13	20

Aluminium with Standard Nozzle



Thread	Order code	Box Qty
1/4"	AA13	20

Plastic, Aluminium Nozzle, Plug 26SF Series



Thread	Order code	Box Qty
26SF	AK26SF	20

Aluminium, Standard Nozzle, Plug 26SF Series



Thread	Order code	Box Qty
26SF	AA26SF	20

Hose Tail Barb, Brass

Male Thread



Connection	Order code	Box Qty
G 1/4, 8 mm	GT13/08	20
G 3/8, 13 mm	GT17/13	20
G 1/2, 9 mm	GT21/09	20
G 1/2, 13 mm	GT21/13	20

3 Way Manifold Assembly

Brass, with Couplings 26KA Series



Connection	Order code	Box Qty
G 1/4 i.	DM13I	20
G 3/8 i.	DM17I	20
G 1/2 i.	DM21I	20

PA12 Tubing

26 Series Coupling and Plug with Spring Guard



Connection /mm	Length	Order code	Box Qty
6,3 x 7,9	5,0 m	SP08/050/K+S	1
9,5 x 11,8	7,5 m	SP12/075/K+S	1

PU Tubing

with Straight Extensions 508 mm and 127 mm



Connection /mm	Length	Order code	Box Qty
6,3 x 9,5	6,0 m	PU10/060/DV	1
8,0 x 12,0	7,5 m	PU12/075/DV	1

At Parker, we're guided by a relentless drive to help our customers become more productive and achieve higher levels of profitability by engineering the best systems for their requirements. It means looking at customer applications from many angles to find new ways to create value. Whatever the motion and control technology need, Parker has the experience, breadth of product and global reach to consistently deliver. No company knows more about motion and control technology than Parker. For further info call 00800 27 27 5374.



AEROSPACE

Key Markets

- Aircraft engines
- Business & general aviation
- Commercial transports
- Land-based weapons systems
- Military aircraft
- Missiles & launch vehicles
- Regional transports
- Unmanned aerial vehicles

Key Products

- Flight control systems & components
- Fluid conveyance systems
- Fluid metering delivery & atomization devices
- Fuel systems & components
- Hydraulic systems & components
- Inert nitrogen generating systems
- Pneumatic systems & components
- Wheels & brakes



CLIMATE CONTROL

Key Markets

- Agriculture
- Air conditioning
- Food, beverage & dairy
- Life sciences & medical
- Precision cooling
- Processing
- Transportation

Key Products

- CO₂ controls
- Electronic controllers
- Filter driers
- Hand shut-off valves
- Hose & fittings
- Pressure regulating valves
- Refrigerant distributors
- Safety relief valves
- Solenoid valves
- Thermostatic expansion valves



ELECTROMECHANICAL

Key Markets

- Aerospace
- Factory automation
- Food & beverage
- Life science & medical
- Machine tools
- Packaging machinery
- Paper machinery
- Plastics machinery & converting
- Primary metals
- Semiconductor & electronics
- Textile
- Wire & cable

Key Products

- AC/DC drives & systems
- Electric actuators
- Controllers
- Gantry robots
- Gearheads
- Human machine interfaces
- Industrial PCs
- Inverters
- Linear motors, slides and stages
- Precision stages
- Stepper motors
- Servo motors, drives & controls
- Structural extrusions



FILTRATION

Key Markets

- Food & beverage
- Industrial machinery
- Life sciences
- Marine
- Mobile equipment
- Oil & gas
- Power generation
- Process
- Transportation

Key Products

- Analytical gas generators
- Compressed air & gas filters
- Condition monitoring
- Engine air, fuel & oil filtration & systems
- Hydraulic, lubrication & coolant filters
- Process, chemical, water & microfiltration filters
- Nitrogen, hydrogen & zero air generators



FLUID & GAS HANDLING

Key Markets

- Aerospace
- Agriculture
- Bulk chemical handling
- Construction machinery
- Food & beverage
- Fuel & gas delivery
- Industrial machinery
- Mobile
- Oil & gas
- Transportation
- Welding

Key Products

- Brass fittings & valves
- Diagnostic equipment
- Fluid conveyance systems
- Industrial hose
- PTFE & PFA hose, tubing & plastic fittings
- Rubber & thermoplastic hose & couplings
- Tube fittings & adapters
- Quick disconnects



HYDRAULICS

Key Markets

- Aerospace
- Aerial lift
- Agriculture
- Construction machinery
- Forestry
- Industrial machinery
- Mining
- Oil & gas
- Power generation & energy
- Truck hydraulics

Key Products

- Diagnostic equipment
- Hydraulic cylinders & accumulators
- Hydraulic motors & pumps
- Hydraulic systems
- Hydraulic valves & controls
- Power take-offs
- Rubber & thermoplastic hose & couplings
- Tube fittings & adapters
- Quick disconnects



PNEUMATICS

Key Markets

- Aerospace
- Conveyor & material handling
- Factory automation
- Food & beverage
- Life science & medical
- Machine tools
- Packaging machinery
- Transportation & automotive

Key Products

- Air preparation
- Compact cylinders
- Field bus valve systems
- Grippers
- Guided cylinders
- Manifolds
- Miniature fluidics
- Pneumatic accessories
- Pneumatic actuators & grippers
- Pneumatic valves and controls
- Rodless cylinders
- Rotary actuators
- Tie rod cylinders
- Vacuum generators, cups & sensors



PROCESS CONTROL

Key Markets

- Chemical & refining
- Food, beverage & dairy
- Medical & dental
- Microelectronics
- Oil & gas
- Power generation

Key Products

- Analytical sample conditioning products & systems
- Fluoropolymer chemical delivery fittings, valves & pumps
- High purity gas delivery fittings, valves & regulators
- Instrumentation fittings, valves & regulators
- Medium pressure fittings & valves
- Process control manifolds



SEALING & SHIELDING

Key Markets

- Aerospace
- Chemical processing
- Consumer
- Energy, oil & gas
- Fluid power
- General industrial
- Information technology
- Life sciences
- Military
- Semiconductor
- Telecommunications
- Transportation

Key Products

- Dynamic seals
- Elastomeric o-rings
- EMI shielding
- Extruded & precision-cut, fabricated elastomeric seals
- Homogeneous & inserted elastomeric shapes
- High temperature metal seals
- Metal & plastic retained composite seals
- Thermal management

ENGINEERING YOUR SUCCESS.



Online with Parker

Innovative Products and Custom Solutions

Being a solutions provider means helping our customers achieve higher levels of success by engineering the best systems for their requirements. It means looking at the customer applications from many angles to find new ways to create customer value.



The new comprehensive range of Parker CAD eConfigurators enable online pneumatic product

configuration with 3D and 2D CAD download to help select and purchase a wide range of Parker products on-line, with Distributor details included within the site it's never been easier to fulfill your customised solution.



www.parker.com/euro_pneumatic



QR Mobile Technology

Access Parker Pneumatic on your mobile with QR technology, codes are situated on each of the advertisement pages throughout the Pneumatic Products Catalogue and lead directly to all the information you may require on the selected product range.



Pneumatic Products Technical CD

The Parker Pneumatic Technical Catalogue CD is a comprehensive guide to products from Pneumatic Division Europe, Legris, Rectus, Fluidconnectors, KV and Fluid Controls, the CD contains the full Technical Catalogues on Parker's extensive product range, presenting an unrivalled choice of products and solutions to suit virtually any application.



Product Information

Customers seeking product information, the location of a nearby distributor, or repair services will receive prompt attention by calling the Parker Product Information Centre.

The Centre can be called toll free from France, Germany, Austria, Switzerland or the United Kingdom. You will be answered by a Parker employee in your own language.

Call Freephone:
00800 27 27 5374
(00800 C PARKER)

Parker Worldwide

Europe, Middle East, Africa

AE – United Arab Emirates,
Dubai

Tel: +971 4 8127100
parker.me@parker.com

AT – Austria, Wiener Neustadt
Tel: +43 (0)2622 23501-0
parker.austria@parker.com

AT – Eastern Europe, Wiener
Neustadt
Tel: +43 (0)2622 23501 900
parker.easteurope@parker.com

AZ – Azerbaijan, Baku
Tel: +994 50 2233 458
parker.azerbaijan@parker.com

BE/LU – Belgium, Nivelles
Tel: +32 (0)67 280 900
parker.belgium@parker.com

BY – Belarus, Minsk
Tel: +375 17 209 9399
parker.belarus@parker.com

CH – Switzerland, Etoy
Tel: +41 (0)21 821 87 00
parker.switzerland@parker.com

CZ – Czech Republic, Klecany
Tel: +420 284 083 111
parker.czechrepublic@parker.com

DE – Germany, Kaarst
Tel: +49 (0)2131 4016 0
parker.germany@parker.com

DK – Denmark, Ballerup
Tel: +45 43 56 04 00
parker.denmark@parker.com

ES – Spain, Madrid
Tel: +34 902 330 001
parker.spain@parker.com

FI – Finland, Vantaa
Tel: +358 (0)20 753 2500
parker.finland@parker.com

FR – France, Contamine s/Arve
Tel: +33 (0)4 50 25 80 25
parker.france@parker.com

GR – Greece, Athens
Tel: +30 210 933 6450
parker.greece@parker.com

HU – Hungary, Budapest
Tel: +36 23 885 475
parker.hungary@parker.com

IE – Ireland, Dublin
Tel: +353 (0)1 466 6370
parker.ireland@parker.com

IT – Italy, Corsico (MI)
Tel: +39 02 45 19 21
parker.italy@parker.com

KZ – Kazakhstan, Almaty
Tel: +7 7272 505 800
parker.easteurope@parker.com

NL – The Netherlands, Oldenzaal
Tel: +31 (0)541 585 000
parker.nl@parker.com

NO – Norway, Asker
Tel: +47 66 75 34 00
parker.norway@parker.com

PL – Poland, Warsaw
Tel: +48 (0)22 573 24 00
parker.poland@parker.com

PT – Portugal, Leca da Palmeira
Tel: +351 22 999 7360
parker.portugal@parker.com

RO – Romania, Bucharest
Tel: +40 21 252 1382
parker.romania@parker.com

RU – Russia, Moscow
Tel: +7 495 645-2156
parker.russia@parker.com

SE – Sweden, Spånga
Tel: +46 (0)8 59 79 50 00
parker.sweden@parker.com

SK – Slovakia, Banská Bystrica
Tel: +421 484 162 252
parker.slovakia@parker.com

SL – Slovenia, Novo Mesto
Tel: +386 7 337 6650
parker.slovenia@parker.com

TR – Turkey, Istanbul
Tel: +90 216 4997081
parker.turkey@parker.com

UA – Ukraine, Kiev
Tel: +380 44 494 2731
parker.ukraine@parker.com

UK – United Kingdom, Warwick
Tel: +44 (0)1926 317 878
parker.uk@parker.com

ZA – South Africa, Kempton Park
Tel: +27 (0)11 961 0700
parker.southafrica@parker.com

North America

CA – Canada, Milton, Ontario
Tel: +1 905 693 3000

US – USA, Cleveland
Tel: +1 216 896 3000

Asia Pacific

AU – Australia, Castle Hill
Tel: +61 (0)2-9634 7777

CN – China, Shanghai
Tel: +86 21 2899 5000

HK – Hong Kong
Tel: +852 2428 8008

IN – India, Mumbai
Tel: +91 22 6513 7081-85

JP – Japan, Tokyo
Tel: +81 (0)3 6408 3901

KR – South Korea, Seoul
Tel: +82 2 559 0400

MY – Malaysia, Shah Alam
Tel: +60 3 7849 0800

NZ – New Zealand, Mt Wellington
Tel: +64 9 574 1744

SG – Singapore
Tel: +65 6887 6300

TH – Thailand, Bangkok
Tel: +662 186 7000-99

TW – Taiwan, Taipei
Tel: +886 2 2298 8987

South America

AR – Argentina, Buenos Aires
Tel: +54 3327 44 4129

BR – Brazil, Sao Jose dos Campos
Tel: +55 800 727 5374

CL – Chile, Santiago
Tel: +56 2 623 1216

MX – Mexico, Apodaca
Tel: +52 81 8156 6000

European Product Information Centre

Free phone: 00 800 27 27 5374

(from AT, BE, CH, CZ, DE, DK, EE, ES, FI,
FR, IE, IL, IS, IT, LU, MT, NL, NO, PL, PT, RU,
SE, SK, UK, ZA)

Catalogue PDE2600PNUK - V3 - March 2014

© 2014 Parker Hannifin Corporation. All rights reserved.

Your local authorized Parker distributor



Parker Hannifin Ltd.
Tachbrook Park Drive
Tachbrook Park,
Warwick, CV34 6TU
United Kingdom
Tel.: +44 (0) 1926 317 878
Fax: +44 (0) 1926 317 855
parker.uk@parker.com
www.parker.com

ARA[®]
PNEUMATIK
ul. Wyciągowa 38, 53-012 Wrocław
tel. 71 364 72 82, ara@arapneumatik.pl
www.arapneumatik.pl



Nasza firma posiada Certyfikat dla SZJ wg PN-EN ISO 9001:2009