

## Overview

Description	Page		
	Characteristics	Dimensions	Order instructions Type overview
Air preparation unit three-piece	8-11	12	16, 17
Air preparation unit two-piece	8-11	12	16, 17
Filter-regulator	8-11	13	16, 17
Filter-water-separator	8-11	13	16, 17
Pressure regulating valve	8-11	14	16, 17
Oil mist lubricator	8-11	14	16, 17
Submicrofilter	8-11	15	16, 17
Activated carbon filter	8-11	15	16, 17
Accessories	-	17-19	17-19

## Air preparation units

*Series airfit light  
G1/8, G1/4*



**ARA**  
**PNEUMATIK**

[www.arapneumatik.pl](http://www.arapneumatik.pl)

**ARA Pneumatik Wrocław**  
53-012 Wrocław ul. Wyścigowa 38  
tel. 71 364 72 80; 82 fax 71 364 72 83  
[pneumatyka@arapneumatik.pl](mailto:pneumatyka@arapneumatik.pl)

**ARA Pneumatik Oddział Katowice**  
40-584 Katowice ul. Dworska 13  
tel. 32 779 76 40; 41 fax 32 778 20 93  
[katowice@arapneumatik.pl](mailto:katowice@arapneumatik.pl)



# Air preparation units

Series airfit light  
G1/8, G1/4

## Characteristics

Special solutions (e.g. temperature, pressure, medium ...) on request, or see page 155–166 for special units



Pressures quoted as gauge pressure

Characteristics	Symbol	Unit	Air preparation unit three-piece	Air preparation unit two-piece	
System			Consisting of filter-water-separator, pressure regulating valve, oil mist lubricator*, gauge, mounting ring, and locating ring	Consisting of filter-regulator, oil mist lubricator*, gauge, mounting ring, and locating ring	
Type			MFRLS-08	MKLS-06	MKLS-08
Material					
– Housing			Fiber – reinforced polyamide 66		
– Plastic bowl			Polycarbonate		
– Standard sealings			NBR	NBR	
Port size (NPTF version)			G1/4	G1/8	G1/4
Max. condensate capacity		cm <sup>3</sup>	12	12	12
Pore size of filter element		µm	30 or 5	30 or 5	
Condensate drainage			Manual or semi-automatic (pressure relief)		
Oil/air ratio			Constant oil drip rate independent of air flow		
Max. oil capacity		cm <sup>3</sup>	35	35	
Oil refilling			Manual	Manual	
Installation			Vertical, bowl at the bottom		
Medium and ambient temperatures	T <sub>min</sub> T <sub>max</sub>	°C	0 +50 at 10 bar	0 +50 at 10 bar	
Weight (mass)		kg	0.40	0.32	
Pneumatic characteristics					
Operating pressure range – inlet pressure	p <sub>1 min</sub> p <sub>1 max</sub>	bar	0 10	0 10	
Operating pressure range – outlet pressure	p <sub>2 min/max</sub>	bar	0.5 to 8	0.5 to 8	
Smallest pressure difference	p <sub>1</sub> –p <sub>2</sub>				
Hysteresis p <sub>1</sub> =10/p <sub>2</sub> =0 p <sub>1</sub> =10/p <sub>2</sub> =8					
Maximum flow <sup>1)</sup>	Q <sub>max</sub>	l/min m <sup>3</sup> /h	440 27	360 22	473 29
Degree of moisture separation at recommended flow <sup>2)</sup>	η	%	> 90	> 90	
Residual oil amount		mg/m <sup>3</sup>	–	–	

<sup>1)</sup> at p<sub>1</sub> = 10 bar and p<sub>2</sub> = 6.3 bar, Δp = 1 bar

<sup>2)</sup> at 6.3 bar and 25 m/s

\*) Use only recommended oils with viscosity VG32 to ISO 3448 (32 mm<sup>2</sup>/s at 40°C) or Parker Origa airpressure oil, Order No.: KG6140 (see page 203)

Filter-regulator		Filter-water-separator		Pressure regulating valve		Oil mist lubricator		Submicrofilter		Activated carbon filter	
Cyclone system with filter element, combined with piston-type pressure regulating valve (spring loaded) with secondary pressure relief, locating ring, handwheel lockable		With cyclone system and filter element		Piston-type pressure regulating valve (spring loaded) with secondary pressure relief, locating ring, handwheel lockable		Oil mist lubricator with flow compensation*)					
MKS-06	MKS-08	MFS-06	MFS-08	MRP-06	MRP-08	MLS-06	MLS-08	MFO07-1/8	MFO07-1/4	MC007-1/8	MC007-1/4
Fiber – reinforced polyamide 66											
Polycarbonate				–		Polycarbonate					
NBR		NBR		NBR		NBR		NBR		NBR	
G1/8	G1/4	G1/8	G1/4	G1/8	G1/4	G1/8	G1/4	G1/8	G1/4	G1/8	G1/4
12	12	12	12	–	–	–	–	12	12	–	–
30 or 5		30 or 5									
Polycarbonate or semi-automatic (pressure relief)				–		–		Manual			
						Constant oil drip rate independent of air flow					
–		–		–		35		–		–	
						Manual					
Vertical, bowl at the bottom				In any position		Vertical, bowl at the bottom					
0 +50 at 10 bar		0 +50 at 10 bar		0 +50 at 10 bar		0 +50 at 10 bar		0 +50 at 10 bar		0 +40 at 10 bar	
0.12		0.10		0.11		0.09		0.10		0.10	
0 10		0 10		0 10		0 10		0 10		0 10	
0.5 to 8				0.5 to 8							
0.2		–		0.2		–		–		–	
1.6 0.6				1.6 0.6							
575 35	770 46	1085 65	1830 110	530 32	770 46	865 52	1400 84	350 at 6 bar 21		350 at 6 bar 21	
> 90		> 90		–		–		Over 99.99999%, related to 0.01 µm		–	
–		–		–		–		< 0.01 (input conc. 3 mg/m <sup>3</sup> )		0.003% in combination MF-..	

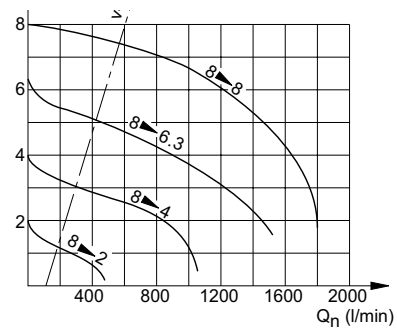
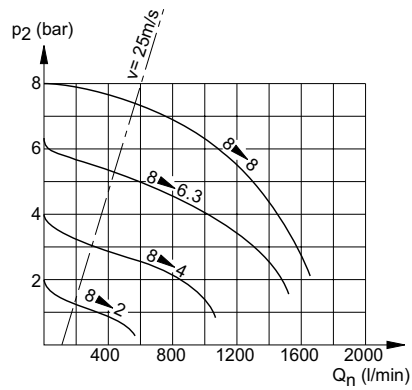
# Air preparation units

Series airfit light  
G1/8, G1/4

Flow characteristics

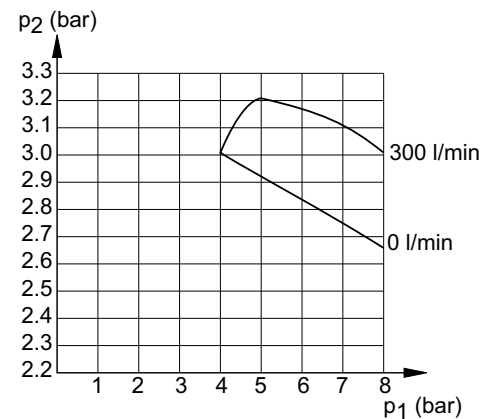
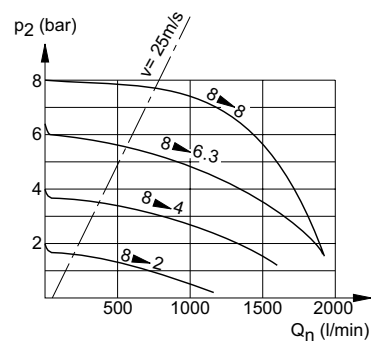
Air preparation units, three-piece, two-piece  
Type: MFRLS-08

Type: MKLS-08

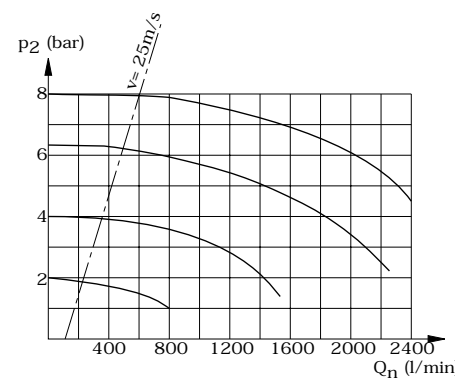


Filter-regulator  
Type: MKS-08

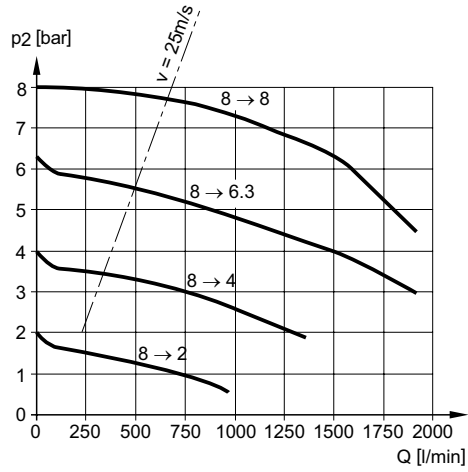
Outlet pressure variation with fluctuation inlet pressure  
Type: MKS-08



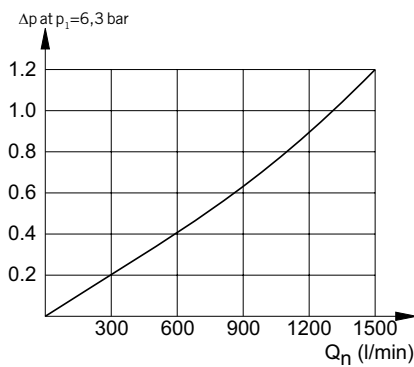
Filter-water-separator  
Type: MFS-08



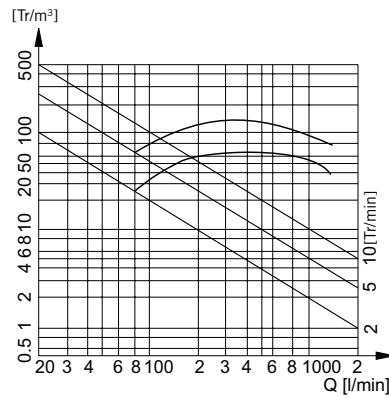
**Pressure regulating valve**  
**Type: MRP-08**



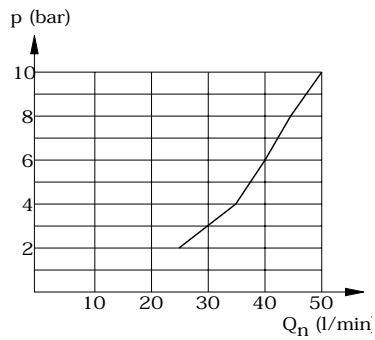
**Oil mist lubricator**  
**Type: MLS-08**



**Oil/air ratio**  
**Type: MLS-08**



**Min. operating conditions**  
**Type: MLS-08**



For order instructions see page 16, 17, for characteristics see page 8–11, for accessories see page 18, 19

Dimensions in mm

# Air preparation units

Series airfit light  
 G1/8, G1/4

Flow characteristics



# Air preparation units

Series airfit light  
G1/8, G1/4

## Dimensions

### Delivery includes:

Air preparation unit three-piece:

- Filter-water-separator
- Pressure regulating valve
- Oil mist lubricator
- Gauge
- Mounting bracket
- Mounting ring

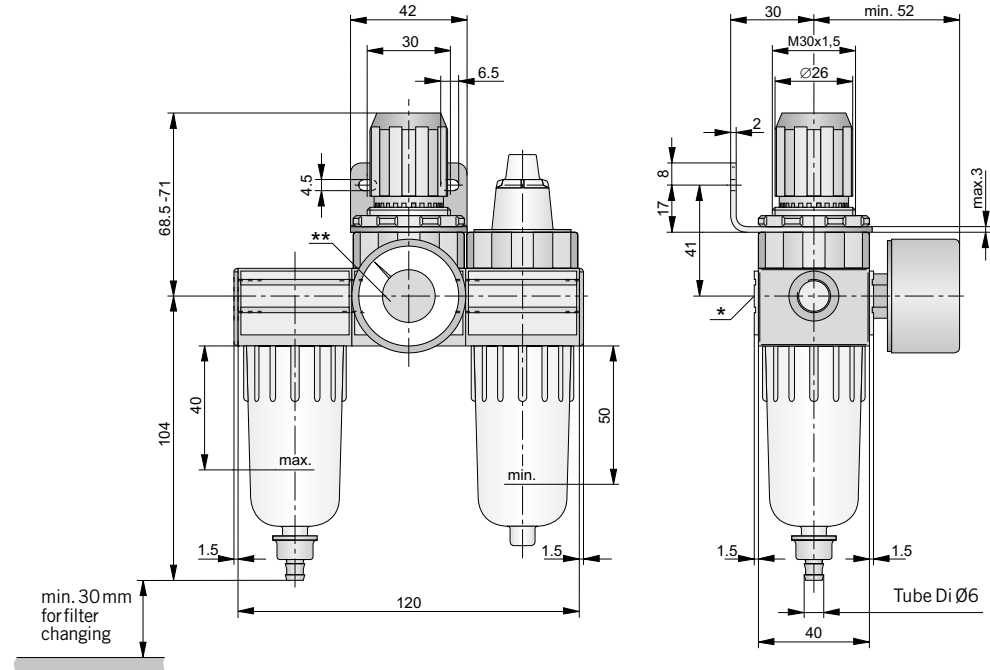
Air preparation unit two-piece:

- Filter-regulator
- Oil mist lubricator
- Gauge
- Mounting bracket
- Mounting ring

Filter-regulator:

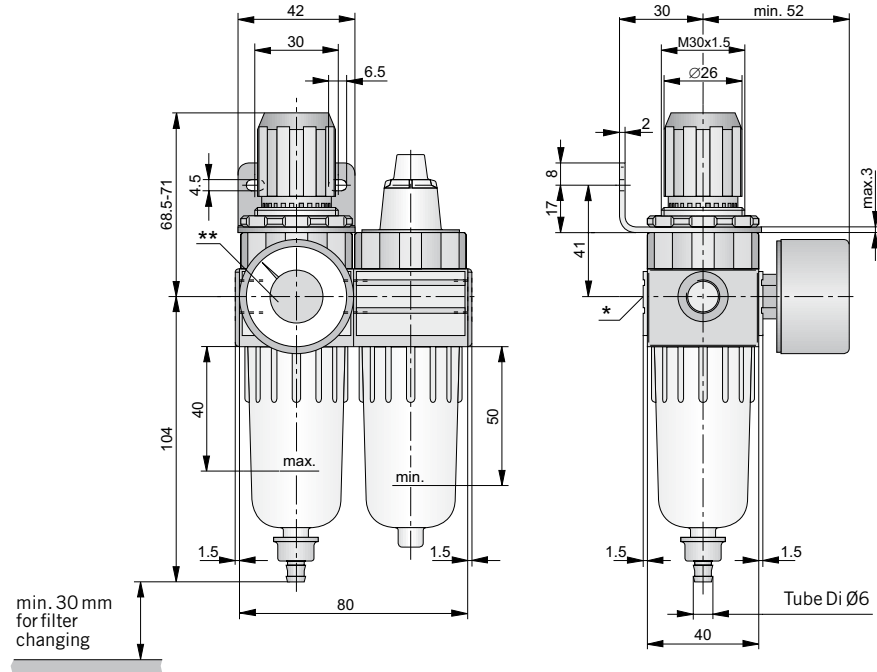
- Mounting ring included
- Pressure regulating valve:
- Mounting ring included

Air preparation unit three-piece – Type: MFRLS-08



- \* On delivery the plug screw is not assembled.
- \*\* Two opposite gauge ports G1/8

Air preparation unit two-piece – Type: MKLS-06, -08



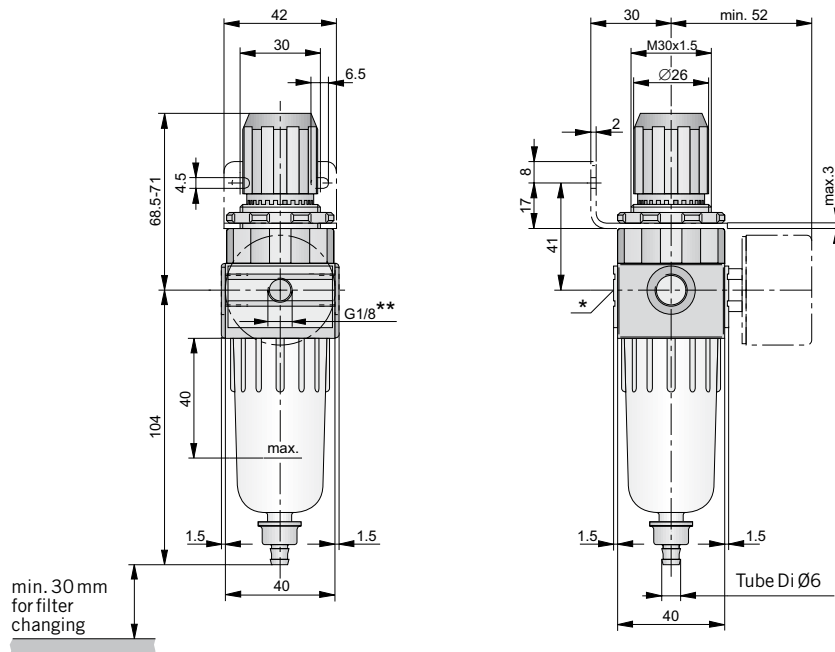
- \* On delivery the plug screw is not assembled.
- \*\* Two opposite gauge ports G1/8

For order instructions see page 16, 17, for characteristics see page 8-11,  
for accessories see page 18, 19

Dimensions in mm

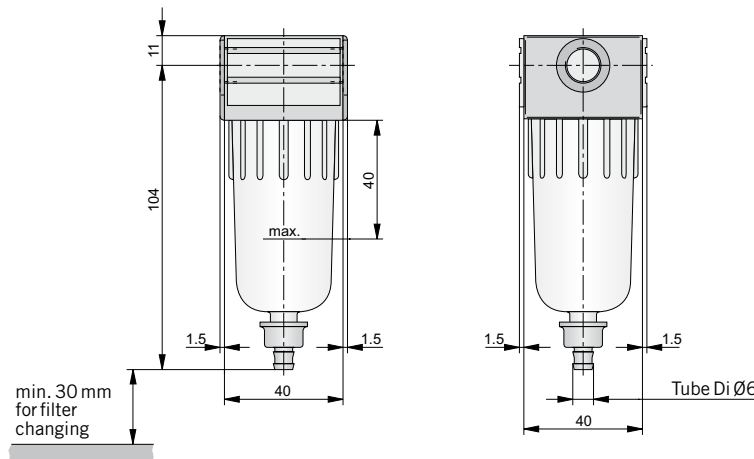


**Filter-regulator – Type: MKS-06, -08**



- \* On delivery the plug screw is not assembled.
- \*\* Two opposite gauge ports G1/8

**Filter-water-separator – Type: MFS-06, -08**



## Air preparation units

Series airfit light  
G1/8, G1/4

Dimensions

For order instructions see page 16, 17, for characteristics see page 8–11, for accessories see page 18, 19

Dimensions in mm

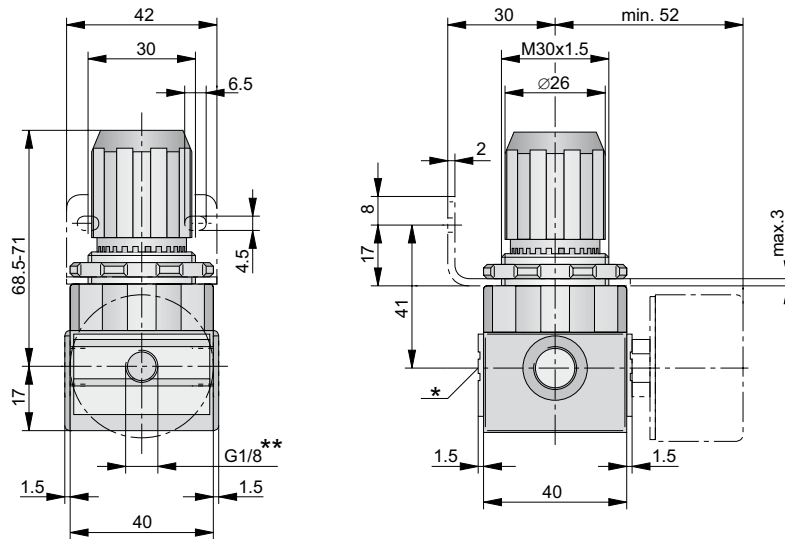


# Air preparation units

Pressure regulator – Type: MRP-06, -08

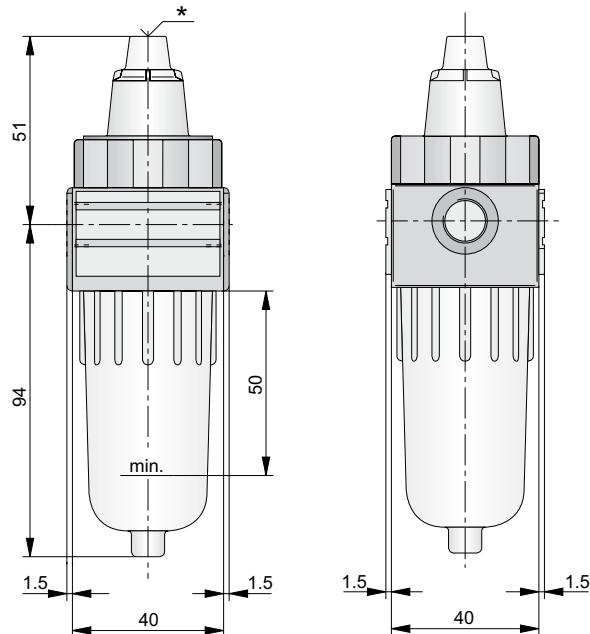
Series airfit light  
G1/8, G1/4

Dimensions



- \* On delivery the plug screw is not assembled.
- \*\* Two opposite gauge ports G1/8

Oil mist lubricator – Type: MLS-06, -08



- \* Oil adjusting screw



For order instructions see page 16, 17, for characteristics see page 8-11, for accessories see page 18, 19

Dimensions in mm




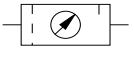

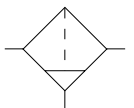
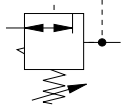


# Air preparation units

Series airfit light  
G1/8, G1/4

Order instructions

## Standard versions

Description	Symbol	Port size	Order instruction	
			Type	Order No.
<b>Air preparation unit three-piece</b>				
– basic model		G1/4	MFRLS-08	PB 40949-100
– with filter element 5 µm		G1/4	MFRLS-08-5	PB 40949-110
– with semi-automatic drainage		G1/4	MFRLS-08-H	PB 40949-104
<b>Air preparation unit two-piece</b>				
– basic model		G1/8	MKLS-06	PB 40449-100
– basic model		G1/4	MKLS-08	PB 40549-100
– with filter element 5 µm		G1/8	MKLS-06-5	PB 40449-109
– with filter element 5 µm		G1/4	MKLS-08-5	PB 40549-109
– with semi-automatic drainage		G1/8	MKLS-06-H	PB 40449-104
– with semi-automatic drainage		G1/4	MKLS-08-H	PB 40549-104
<b>Filter-regulator</b>				
– basic model		G1/8	MKS-06	PB 40049-100
– basic model		G1/4	MKS-08	PB 40149-100
– with filter element 5 µm		G1/8	MKS-06-5	PB 40049-116
– with filter element 5 µm		G1/4	MKS-08-5	PB 40149-116
– with semi-automatic drainage		G1/8	MKS-06-H	PB 40049-101
– with semi-automatic drainage		G1/4	MKS-08-H	PB 40149-101
<b>Filter-water-separator</b>				
– basic model		G1/8	MFS-06	PB 40649-100
– basic model		G1/4	MFS-08	PB 40749-100
– with filter element 5 µm		G1/8	MFS-06-5	PB 40649-116
– with filter element 5 µm		G1/4	MFS-08-5	PB 40749-116
– with semi-automatic drainage		G1/8	MFS-06-H	PB 40649-101
– with semi-automatic drainage		G1/4	MFS-08-H	PB 40749-101
<b>Pressure regulating valve</b>				
– basic model with p <sub>1</sub> -flow compensation		G1/8	MRP-06	PB 21749-800
– basic model with p <sub>1</sub> -flow compensation		G1/4	MRP-08	PB 21649-800

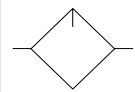
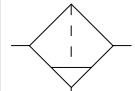
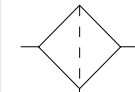


## Air preparation units

Series airfit light  
G1/8, G1/4

Order instructions

### Standard versions

Description	Symbol	Port size	Order instruction	
			Type	Order No.
<b>Oil mist lubricator</b>				
– basic model		G1/8	MLS-06	PB 40249-100
– basic model		G1/4	MLS-08	PB 40349-100
<b>Submicrofilter</b>				
– basic model		G1/8	MF 007-1/8	PB 37349-000
– basic model		G1/4	MF 007-1/4	PB 37449-000
<b>Activated carbon filter</b>				
– basic model		G1/8	MC 007-1/8	PB 37849-000
– basic model		G1/4	MC 007-1/4	PB 37949-000

### Accessories

Description	For type	Order No.
Mounting bracket	MKS, MRP, MRS	PL15531
Mounting kit	MFS, MLS	PL16859
Mounting kit for DIN rail mounting	MRP	PL17889
Gauge Ø 40, 0–10 bar, G1/8*	MKS, MRP	KZ8813
Gauge with front ring, Ø 40, 0–10 bar, G1/8*		KZ8822
Coupling kit		PL16030
Porting block		PL16031
Porting block NPTF		PL17766
Bowl guard kit		PL18541-00
Coupling kit for combination types	MKS/MRP+MF+MC	PL16755
Coupling kit for combination types	MF+MC, MFS+MF, MFS+MLS	PL16669
Mounting ring		KG5006

\* for more gauges see page 198, 199

For more information see accessories page 18, 19



# Air preparation units

Series airfit light  
G1/8, G1/4

Accessories  
– Porting block

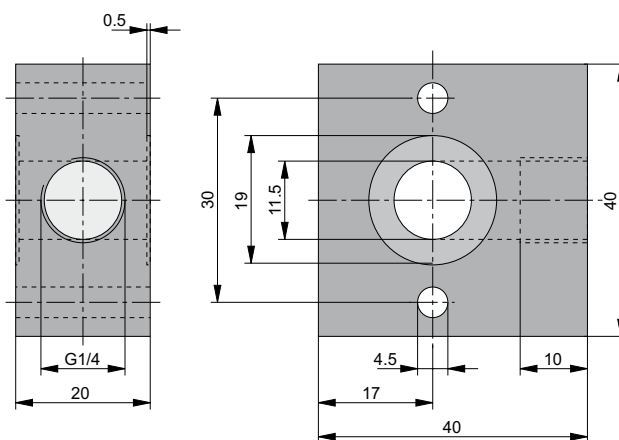
To provide unlubricated air,  
e.g. for air gun

**Delivery includes:**

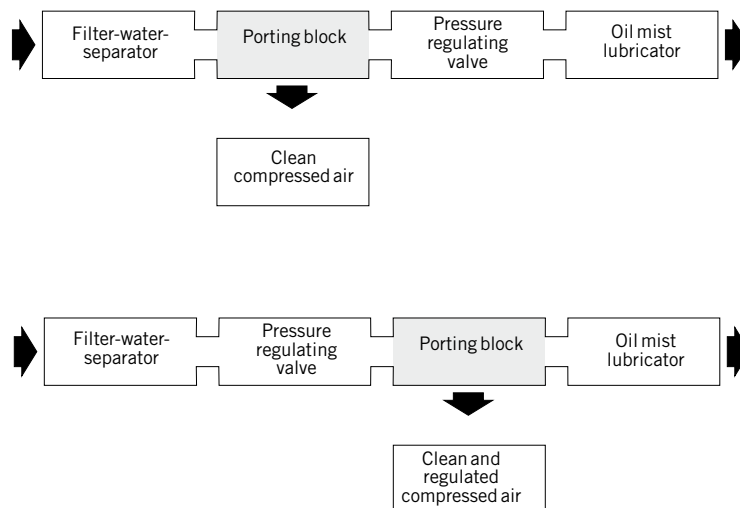
- Porting block
- 2 sealing rings
- 2 mounting screws

Characteristics	Description
Installation	Between two units of the airfit light series
Mounting	With coupling kit supplied
Material	Aluminum – black lacquered

**Dimensions**



**Installation Instructions**

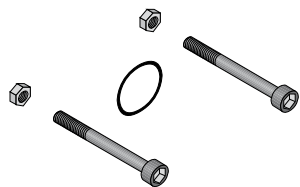


**Order instructions – Accessories**

Description	Order No.
Porting block kit G1/4-Standard	PL16031
Porting block kit G1/4 -NPTF	PL17766

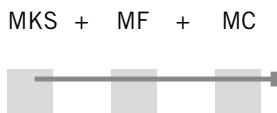
Dimensions in mm

**Coupling kit**



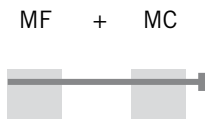
**Order No. PL16030**

**Coupling kit**



**Order No. PL16755**

**Coupling kit**



**Order No. PL16669**

## **Air preparation units**

*Series airfit light  
G1/8, G1/4*

- Accessories*
- Coupling kits
  - Mounting brackets
  - Gauges

**Mounting bracket**



**Order No. PL15531**

**Gauge Ø 40, 0-10 bar, G1/8**



**Order No. KZ8813**



[www.arapneumatik.pl](http://www.arapneumatik.pl)

**ARA Pneumatik Wrocław**  
53-012 Wrocław ul. Wyścigowa 38  
tel. 71 364 72 80; 82 fax 71 364 72 83  
[pneumatyka@arapneumatik.pl](mailto:pneumatyka@arapneumatik.pl)

**ARA Pneumatik Oddział Katowice**  
40-584 Katowice ul. Dworska 13  
tel. 32 779 76 40; 41 fax 32 778 20 93  
[katowice@arapneumatik.pl](mailto:katowice@arapneumatik.pl)

