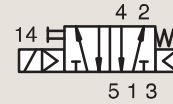


3/2-5/2

3 & 5 WAY PNEUMATIC VALVES FOR ACTUATOR CONTROL (NAMUR) PILOT OPERATED

ANODIZED ALUMINIUM
NAMUR

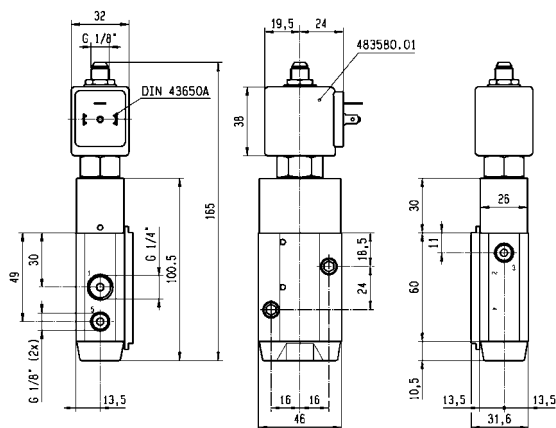


SOLENOID OPERATED - SPRING RETURN

Port size	Orifice Ø	Flow factor	Operating Pressure Differential			Fluid Temp.		Seat Seal	Parker LUCIFER® Valves			ATEX Zone	Protection Mode	Power		Coil Group	Dwg. No.
			Min	Max (MOPD)	Max	Min	Max		Valve Ref.	Housing Ref.	Coil Ref.			AC W	DC W		
1/8"- 1/4"	4	600	2	10	10	-25	80	NBR	341N01 ₂₃	8993	488980	-	-	2	2.5	1.1	7301
	4	600	2	10	10	-25	80	NBR	341N11 ₂₃	8993	488980	-	-	2	2.5	1.1	7300
	4	600	2	10	10	-25	80	FKM/NBR	341N21 ₃	2995	481865	-	-	8	9	2.1	7311
	4	600	2	10	10	-25	80	FKM/NBR	341N21 ₃	4270	481000	-	-	8	8	2.1	7311
	4	600	2	-	10	-25	55	FKM/NBR	341N2190 ₃	2995	483580.01	0-20	Ex ia IIC T6	-	0.5 to 3	7.0/8.0	7874
	4	600	2	-	10	-25	55	FKM/NBR	341N2190 ₃	-	495910	0-20	Ex ia IIC T4 to T6	-	0.3 to 3	7.0/8.0	7874

Notes:

1. DC voltage only. Minimum drop off voltage is 15% of nominal voltage (former DIN 19251)
2. With captured exhaust
3. With manual override



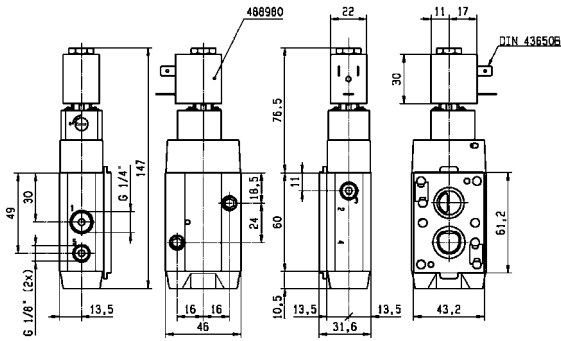
Drawing 7874



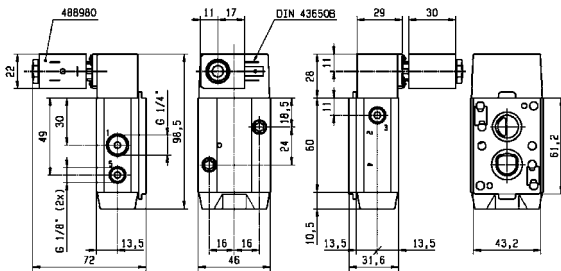
3 & 5 WAY PNEUMATIC DISTRIBUTORS



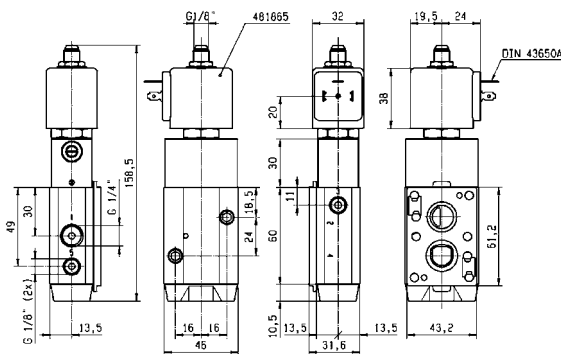
For this page	Port size	Orifice (mm)	Qn (l/min)	MOPD (bar)	Fluid Temp (°C)	Amb Temp (°C)
From	1/8"-1/4"	4	600	10	-25	-25
To	1/8"-1/4"	4	600	10	80	50



Drawing 7301



Drawing 7300



Drawing 7311

COIL GROUP

1.1

ENCAPSULATED
ELECTRICAL PARTS
"mb"



ZONE 1/21

ELECTRICAL PART LOW POWER 22 mm

These coils can be mounted with every Parker ATEX solenoid valves corresponding to the specified Coil Group. See column "Coil Group" within valve pages.

Application:

Control of solenoid valves in dangerous areas where explosion-proof protection Ex mb II T4 or T5 is required.

Benefits:

Coil and magnetic circuit encapsulated in synthetic material - offering shock and corrosion protection. AC coils with integrated thermal fuse. Small size for ease of mounting in confined spaces.



Reference	482605			482606 or 482606.160*					
Certificate	LCIE 02 ATEX 6014 X - IECEx LCI 07.0026 X								
Coil Group	1.1								
Type of protection	Gas	II 2 G - Ex mb II T4			II 2 G - Ex mb II T4		II 2 G - Ex mb II T5		
	Dust	II 2 D - Ex tb IIIC - T130°C			II 2 D - Ex tb IIIC - T130°C		II 2 D - Ex tb IIIC - T 95°C		
Degree of protection	IP65 (with plug) according to IEC/EN 60529								
Ambient temperature	-40°C to +50°C			-40°C to +65°C		-40°C to +40°C			
The application is limited also by the temperature range of the valve.									
Insulation Class	F 155°C								
Electrical connection	Cable connection (3 x 0.75 mm ²) encapsulated with coil, cable material according to application								
Elect. Power	DC	Pn (hot)	5 W			2.5 W			
		P (cold) 20°C	6.5 W			3 W			
	AC	Pn (holding)	4 W			2 W			
		Attraction cold	8.9 VA (5 W)			5.7 VA (2.5 W)			
Weight	150 g								
Voltages "Un"	-10% to +10% of the Un	VAC/Hz	Code	VDC	Code	VAC/Hz	Code	VDC	Code
		24/50	A2	24	C2	24/50	A2	24	C2
		110/50-115/50	0A	110	C5	48/50	A4	48	C4
		220/50-230/50	3D			110/50-115/50	0A	110	C5
						220/50-230/50	3D		

To Order a Coil choose Coil Ref + Voltage Code, example: 482605 for 24VDC = 482605C2

* 482606.160 - 6 m cable length

Fuses:

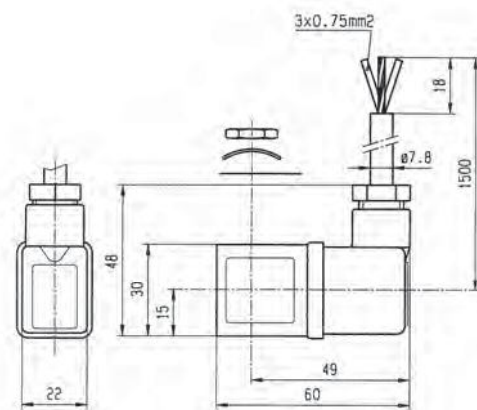
Both electrical parts 482605 & 482606 have to be connected in series with a safety fuse according to CEI 60127-3. Indicating example below:

482605:

DC: 12 V, 1000 mA - 24 V, 500 mA - 48 V, 200 mA - 110 V, 100 mA
AC 50 Hz: 24 V, 500 mA - 48 V, 250 mA - 110/115 V, 100 mA - 220/230 V, 3 mA
AC 60 Hz: 24 V, 630 mA - 110/115 V, 125 mA - 220/230 V, 63 mA

482606:

DC: 12 V, 400 mA - 24 V, 200 mA - 48 V, 100 mA - 110 V, 50 mA
AC 50 Hz: 24 V, 250 mA - 48 V, 125 mA - 110/115 V, 63 mA - 220/230 V, 32 mA
AC 60 Hz: 24 V, 315 mA - 110/115 V, 63 mA - 220/230 V, 32 mA



PNEUMATIK

53-012 Wrocław tel. 71 364 72 85
ul. Wyścigowa 38 fax 71 364 72 83

www.arapneumatik.pl

