



aerospace
climate control
electromechanical
filtration
fluid & gas handling
hydraulics
pneumatics
process control
sealing & shielding



Pneumatic cylinders

Series P1E

According to ISO and VDMA

Cylinder diameters 160 and 200 mm

Catalogue PDE2580TCUK-ul. May 2009



ENGINEERING YOUR SUCCESS.

Autoryzowany dystrybutor Parker:

ARA[®]
PNEUMATIK


53-012 Wrocław tel. 71 364 72 82
ul. Wyciągowa 38 fax 71 364 72 83

www.arapneumatik.pl




Features	Air cylinder	Hydraulic cylinder	Electro mechanical actuators
Overload safe	***	***	*
Easy to limit force	***	***	*
Easy to vary speed	***	***	*
Speed	***	**	**
Reliability	***	***	***
Robustness	***	***	*
Installation cost	***	*	**
Ease of service	***	**	*
Safety in damp environments	***	***	*
Safety in explosive atmospheres	***	***	*
Safety risk with electrical installations	***	***	*
Risk of oil leak	***	*	***
Clean, hygienic	***	**	*
Standardised measurements	***	***	*
Service life	***	***	*
Hydraulic system required	***	*	***
Weight	**	**	**
Purchase price	***	**	*
Power density	**	***	*
Noise level during operation	**	***	**
High force for size	**	***	*
Positioning possibilities	*	***	***
Total energy consumption	*	**	***
Service interval	*	**	***
Compressor capacity required	*	***	***


* = good, **=average, ***=excellent



Important
 Before attempting any external or internal work on the cylinder or any connected components, make sure the cylinder is vented and disconnect the air supply in order to ensure isolation of the air supply.



Note
 All technical data in this catalogue are typical data only.
 Air quality is essential for maximum cylinder service life (see ISO 8573).



WARNING

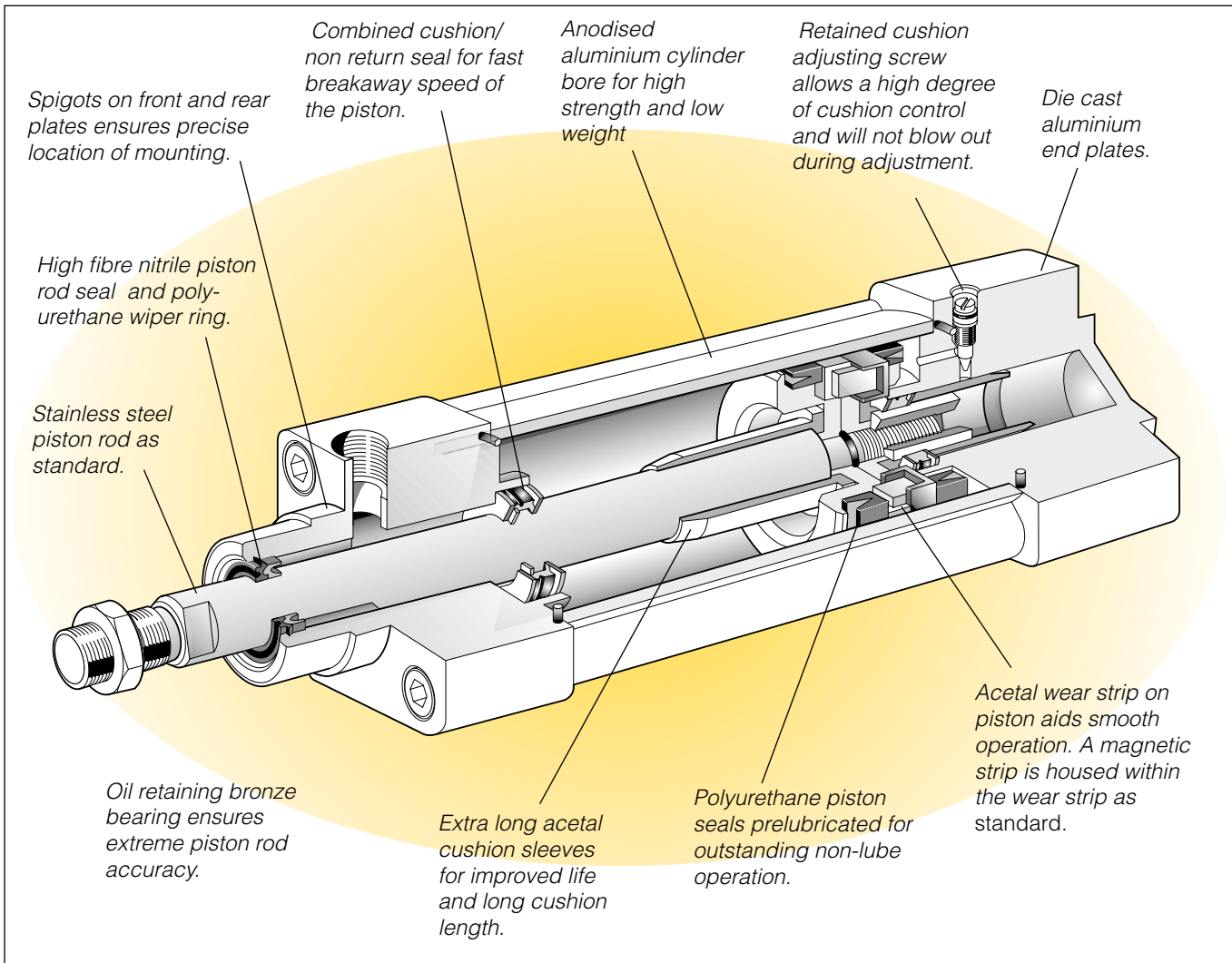
FAILURE OR IMPROPER SELECTION OR IMPROPER USE OF THE PRODUCTS AND/OR SYSTEMS DESCRIBED HEREIN OR RELATED ITEMS CAN CAUSE DEATH, PERSONAL INJURY AND PROPERTY DAMAGE.

This document and other information from Parker Hannifin Corporation, its subsidiaries and authorized distributors provide product and/or system options for further investigation by users having technical expertise. It is important that you analyze all aspects of your application and review the information concerning the product or system in the current product catalog. Due to the variety of operating conditions and applications for these products or systems, the user, through its own analysis and testing, is solely responsible for making the final selection of the products and systems and assuring that all performance, safety and warning requirements of the application are met. The products described herein, including without limitation, product features, specifications, designs, availability and pricing, are subject to change by Parker Hannifin Corporation and its subsidiaries at any time without notice.

SALE CONDITIONS

The items described in this document are available for sale by Parker Hannifin Corporation, its subsidiaries or its authorized distributors. Any sale contract entered into by Parker will be governed by the provisions stated in Parker's standard terms and conditions of sale (copy available upon request).

Contents	Page
P1E Series, general	4
Cylinder forces	6
Main data.....	6
Material specification	6
Working medium, air quality	6
Cushioning characteristics.....	6
Order key.....	7
Stroke length	7
Order code standard strokes double-acting P1E-T	7
Guide for selecting suitable tubing	8
Dimensions.....	10
Cylinder mountings	11-13
Sensors	14-16
Connecting cables with one connector.....	17
Male connectors for connecting cables.....	17
Ready to use connecting cables with connectors at each end	17
Connection block Valvetronic 110.....	18
Repair kits.....	19
Grease for P1E	19



ISO Cylinders – P1E

The P1E Series of I.S.O. cylinders are precision made to the most exacting standards to provide the finest pneumatic cylinders available with the widest choice of options.

Installation dimensions according to international ISO/VDMA standards

The new P1E complies with the current ISO 6431, ISO 15552, VDMA 24562 and AFNOR installation dimension standards. For customer reassurance world-wide.

High quality

As with our other products, the P1E has been developed with quality in all aspects – specification, design, planning, purchasing, production, distribution and service. We have been certified under the ISO 9001 QA standard since 1992. Quality in all our products and services is our prime aim.

Adaptability for use with electronics

P1E Cylinders are equipped as standard with magnetic pistons for position sensing. A full range of sensors enables the cylinders to be integrated into the most advanced automation systems. The sensors can be fitted at any position along the cylinder stroke.

Design

In the development of P1E cylinders, great emphasis was placed on the importance of long service life, and operation with unlubricated air, characteristics essential for applications in demanding environments.

Long service life

Proven sealing systems and pre-lubricated bearings, together with surface smoothness and precise tolerances in all constituent parts, provide long, safe and reliable service life.

Effective cushioning

A long cushioning zone and simple, adjustable cushion screw facilitates fine adjustment and permits a large mass, high velocity and short cycle time.

Anodised cylinder barrel

The basic P1E Series cylinder features anodised cylinder tubes as standard and are pre lubricated on assembly. The cylinder bore finish and seal quality are such that in most applications they can operate without lubrication for the normal service life of a pneumatic cylinder.

High temperature cylinders

For high temperature applications, we can offer cylinders with high quality fluorocarbon rubber seals and P.T.F.E. wear strips.

Magnetic cylinders

Available for use with electronic or reed sensors, the magnetic versions feature an encapsulated polymer magnet. This protects the magnet from wear and maintains low friction.

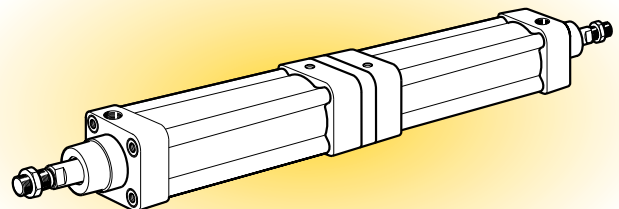
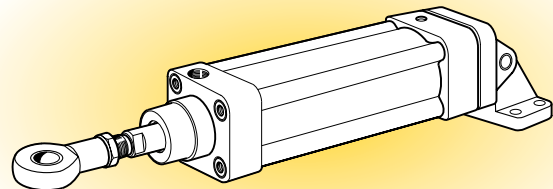
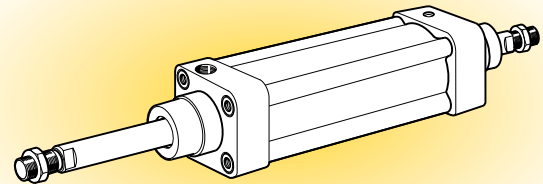
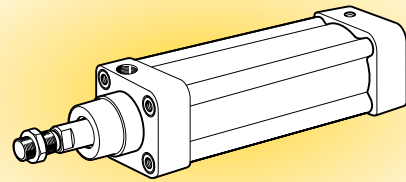
Variants

In addition to the basic versions, a number of special variants of the Parker P1E cylinders are available. The special variants are designed to meet the most exacting demands. The available options include:

- Non-standard stroke lengths
- Choice of two different piston-rod materials
- Extended piston rods
- Through piston rod
- High temperature cylinder versions for use in ambient temperatures up to +180 °C
- Factory fitted mountings

Complete range of mountings

A complete range of surface-treated mountings according to ISO, VDMA and AFNOR are available as accessories.



Cylinder forces, double acting variants

Cyl. bore/ pist. rod mm	Stroke	Piston area		Max theoretical force in N (bar)								
		cm ²		1,0	2,0	3,0	4,0	5,0	6,0	7,0	8,0	9,0
160/40	+	201,1	2011	4021	6032	8042	10053	12064	14074	16085	18096	20106
	-	188,5	1885	3770	5655	5740	9425	11310	13195	15080	16965	18850
200/40	+	314,2	3142	6283	9425	12566	15708	18850	21991	25133	28274	31416
	-	301,6	3016	6032	9048	12064	15080	18096	21112	24127	27043	30159

+ = Outward stroke
- = Return stroke

Note!
Select a theoretical force 50-100% larger than the force required

Main data: P1E

Cylinder beteckning	Cylinder bore area		Piston rod dia.	Piston rod area	Piston rod thread	Total mass		Mass moving parts		Air con- sump- tion	Conn. thread
	mm	cm ²				at 0 mm stroke	Supplement per 10 mm stroke	at 0 mm stroke	Supplement per 10 mm stroke		
P1E-T160	160	201,1	40	12,6	M36x2	11,71	0,228	11,71	0,228	2,814 ¹⁾	G3/4
P1E-T200	200	314,2	40	12,6	M36x2	15,45	0,252	15,45	0,252	4,396 ¹⁾	G3/4

1)Free air consumption per 10 mm stroke for a double stroke at 6 bar

Material specification

Piston rod	Stainless steel, X 10 CrNiS 18 9
Piston rod seal	Polyurethane
Piston rod bearing	Oil Retaining Bronze
End cover	Black anodised aluminium
Tie Rods	Zinc Plated Steel
Tie Rod Nuts	Zinc Plated Steel
O-ring, internal	Nitrile rubber, NBR
Cylinder barrel	Hard anodised aluminium
Piston	Aluminium
Piston seal	Polyurethane
Piston bearing	Polyurethane
Magnetic ring	Plastic bound magnetic material

Variants:

High-temperature version, type F:

Piston rod seal	Fluorocarbon rubber, FPM
Piston seal	Fluorocarbon rubber, FPM
O-rings	Fluorocarbon rubber, FPM

Operation data

Working pressure	Max 10 bar
Working temperature	max +70 °C min -10 °C
High temp version	max +180 °C min 0 °C

Greased for life, does not normally need additional lubrication. If extra lubrication is given, this must always be continued.

Working medium, air quality

Working medium Dry, filtered compressed air to ISO 8573-1 class 3.4.3.

Recommended air quality for cylinders

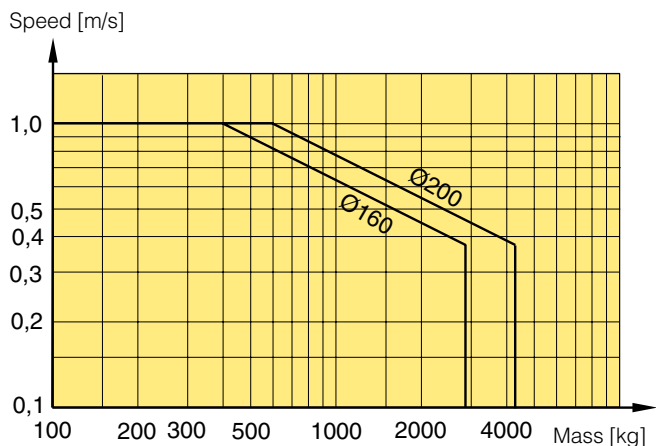
For best possible service life and trouble-free operation, ISO 8573-1 quality class 3.4.3 should be used. This means 5 µm filter (standard filter) dew point +3 °C for indoor operation (a lower dew point should be selected for outdoor operation) and oil concentration 1.0 mg oil/m³, which is what a standard compressor with a standard filter gives.

Cushioning characteristics

The diagram below is used for dimensioning of cylinders related to the cushioning capacity. The maximum cushioning capacity shown in the diagram assumes the following:

- Low load, i.e. low pressure drop across the piston
- Equilibrium speed
- Correctly adjusted cushioning screw
- 6 bar at cylinder port



The load is the sum of internal and external friction, plus any gravitational forces. At high relative load (pressure drop exceeding 1 bar), we recommend that for any given speed, the mass should be reduced by a factor of 2.5, or for a given mass, the speed should be reduced by a factor of 1.5. This is in relation to the maximum performance given in the diagram



ISO 8573-1 quality classes

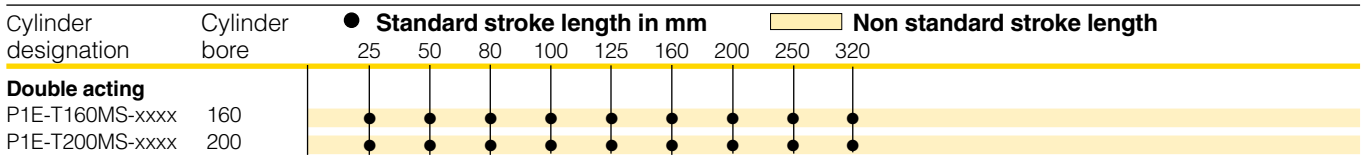
Quality class	Pollution particle size (µm)	max concentration (mg/m ³)	Water max. press. dew point (°C)	Oil max concentration (mg/m ³)
1	0,1	0,1	-70	0,01
2	1	1	-40	0,1
3	5	5	-20	1,0
4	15	8	+3	5,0
5	40	10	+7	25
6	-	-	+10	-

Order key

P1E-T		160		M	S - 0250	
Cylinder version		Cylinder bore mm		Sealing material		Stroke length
T	Tie rod	160		S	Standard seals, magnetic piston	0025
D	Centre trunnion, tie rod	200		A	Standard seals, non magnetic piston	0050
Cylinder type/function				F	High temperature seals, non magnetic piston	0080
M	 Double acting cushioned					0100
F	 Double acting, through rod cushioned					0125
						0160
						0200
						0250
						0320
						Standard stroke length in mm

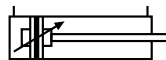
Stroke length

Standard stroke lengths in mm according to ISO 4393. Special stroke lengths up to 2700 mm

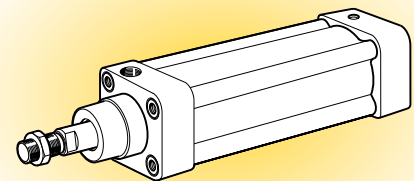


Double-acting P1E-T

Piston rod Ø40 mm, thread M36x2



Cyl. bore mm	Stroke mm	Weight kg	Order code
160 Conn. G3/4	25	12,28	P1E-T160MS-0025
	50	12,85	P1E-T160MS-0050
	80	13,53	P1E-T160MS-0080
	100	13,99	P1E-T160MS-0100
	125	14,56	P1E-T160MS-0125
	160	15,36	P1E-T160MS-0160
	200	16,27	P1E-T160MS-0200
	250	17,41	P1E-T160MS-0250
	320	19,01	P1E-T160MS-0320
200 Conn. G3/4	25	16,08	P1E-T200MS-0025
	50	16,71	P1E-T200MS-0050
	80	17,47	P1E-T200MS-0080
	100	17,97	P1E-T200MS-0100
	125	18,60	P1E-T200MS-0125
	160	19,48	P1E-T200MS-0160
	200	20,49	P1E-T200MS-0200
	250	21,75	P1E-T200MS-0250
	320	23,51	P1E-T200MS-0320



Non-standard stroke lengths on request

Guide for selecting suitable tubing

The selection of the correct size of tubing is often based on experience, with no great thought to optimizing energy efficiency and cylinder velocity. This is usually acceptable, but making a rough calculation can result in worthwhile economic gains.

The following is the basic principle:

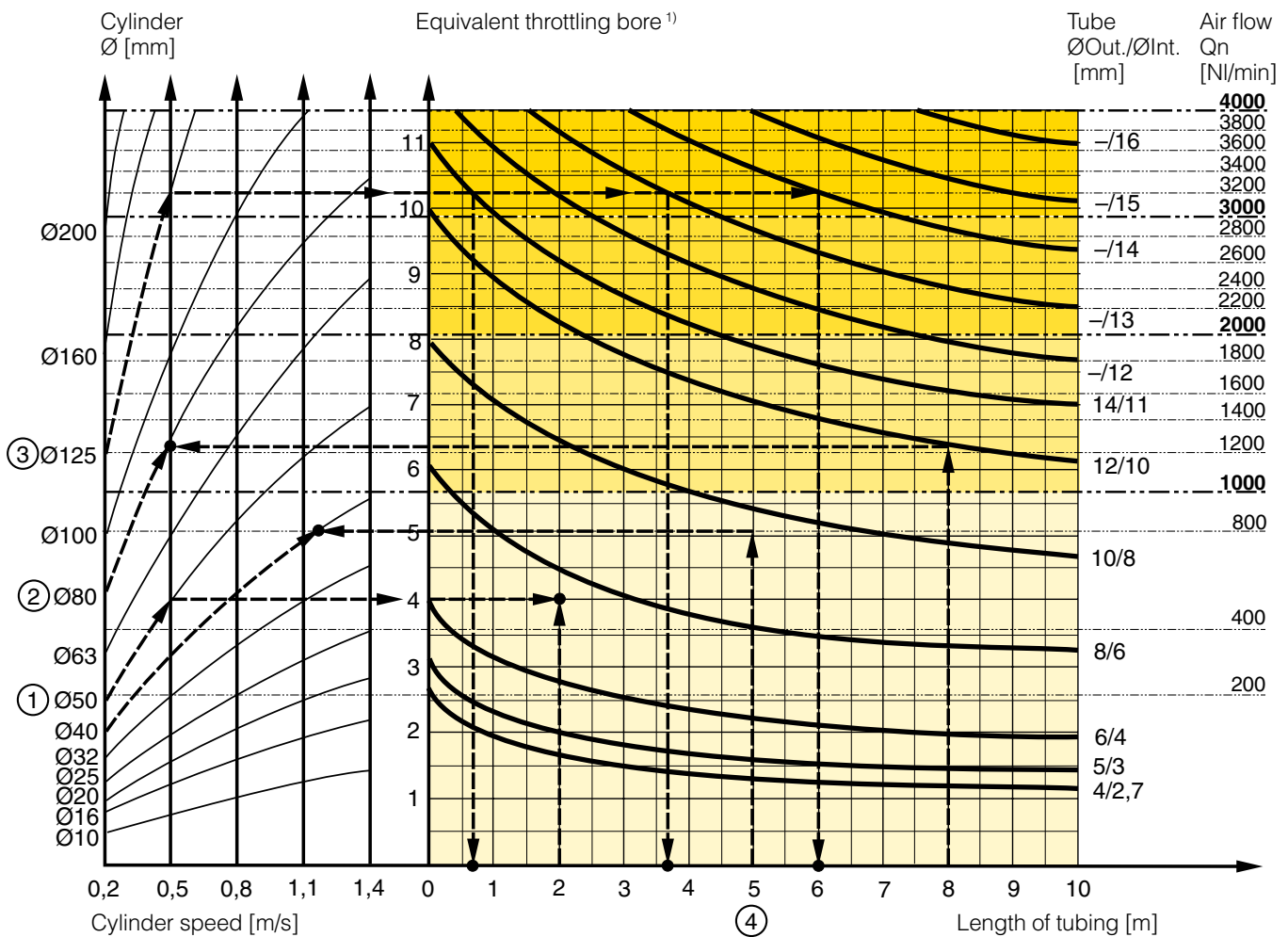
1. The primary line to the working valve could be over sized (this does not cause any extra air consumption and consequently does not create any extra costs in operation).
2. The tubes between the valve and the cylinder should, however, be optimized according to the principle that an insufficient bore throttles the flow and thus limits the cylinder speed, while an oversized pipe creates a dead volume which increases the air consumption and filling time.

The chart below is intended to help when selecting the correct size of tube to use between the valve and the cylinder.

The following prerequisites apply:

The cylinder load should be about 50% of the theoretical force (= normal load). A lower load gives a higher velocity and vice versa. The tube size is selected as a function of the cylinder bore, the desired cylinder velocity and the tube length between the valve and the cylinder.

If you want to use the capacity of the valve to its maximum, and obtain maximum speed, the tubing should be chosen so that they at least correspond with the equivalent restriction diameter (see description below), so that the tubing does not restrict the total flow. This means that a short tubing must have at least the equivalent restriction diameter. If the tubing is longer, choose it from the table below. Straight fittings should be chosen for highest flow rates. (Elbow and banjo fittings cause restriction.)



- 1) The “equivalent throttling bore” is a long throttle (for example a tube) or a series of throttles (for example, through a valve) converted to a short throttle which gives a corresponding flow rate. This should not be confused with the “orifice” which is sometimes specified for valves. The value for the orifice does not normally take account of the fact that the valve contains a number of throttles.
- 2) Qn is a measure of the valve flow capacity, with flow measured in litre per minute (l/min) at 6 bar(e) supply pressure and 1 bar pressure drop across the valve.

Example ①: Which tube diameter should be used?

A 50 mm bore cylinder is to be operated at 0.5 m/s. The tube length between the valve and cylinder is 2 m. In the diagram we follow the line from 50 mm bore to 0.5 m/s and get an “equivalent throttling bore” of approximately 4 mm. We continue out to the right in the chart and intersect the line for a 2 m tube between the curves for 4 mm (6/4 tube) and 6 mm(8/6 tube). This means that a 6/4 tube throttles the velocity somewhat, while an 8/6 tube is a little too large. We select the 8/6 tube to obtain full cylinder velocity.

Example ②: What cylinder velocity will be obtained?

A 80 mm bore cylinder will be used, connected by 8 m 12/10 tube to a P2L-B valve. What cylinder velocity will we get? We refer to the diagram and follow the line from 8 mm tube length up to the curve for 12/10 tube. From there, we go horizontally to the curve for the Ø80 cylinder. We find that the velocity will be about 0.5 m/s.

Example ③: What is the minimum inner diameter and maximum length of tube?

For an application a 125 mm bore cylinder will be used. Maximum velocity of piston rod is 0.5 m/s. The cylinder will be controlled by a P2L-D valve. What diameter of tube can be used and what is maximum length of tube.

We refer to the diagram. We start at the left side of the diagram cylinder Ø125. We follow the line until the intersection with the velocity line of 0.5 m/s. From here we draw a horizontal line in the diagram. This line shows us we need an equivalent throttling bore of approximately 10 mm. Following this line horizontally we cross a few intersections. These intersections shows us the minimum inner diameter (rightside diagram) in combination with the maximum length of tube (bottomside diagram).

For example:

Intersection one: When a tube (14/11) will be used, the maximum length of tube is 0.7 meter.

Intersection two: When a tube (—/13) will be used, the maximum length of tube is 3.7 meter.

Intersection three: When a tube (—/14) will be used, the maximum length of tube is 6 meter.

Example ④: Determining tube size and cylinder velocity with a particular cylinder and valve?

For an application using a 40 mm bore cylinder with a valve with Qn=800 NI/min. The distance between the cylinder and valve has been set to 5 m.

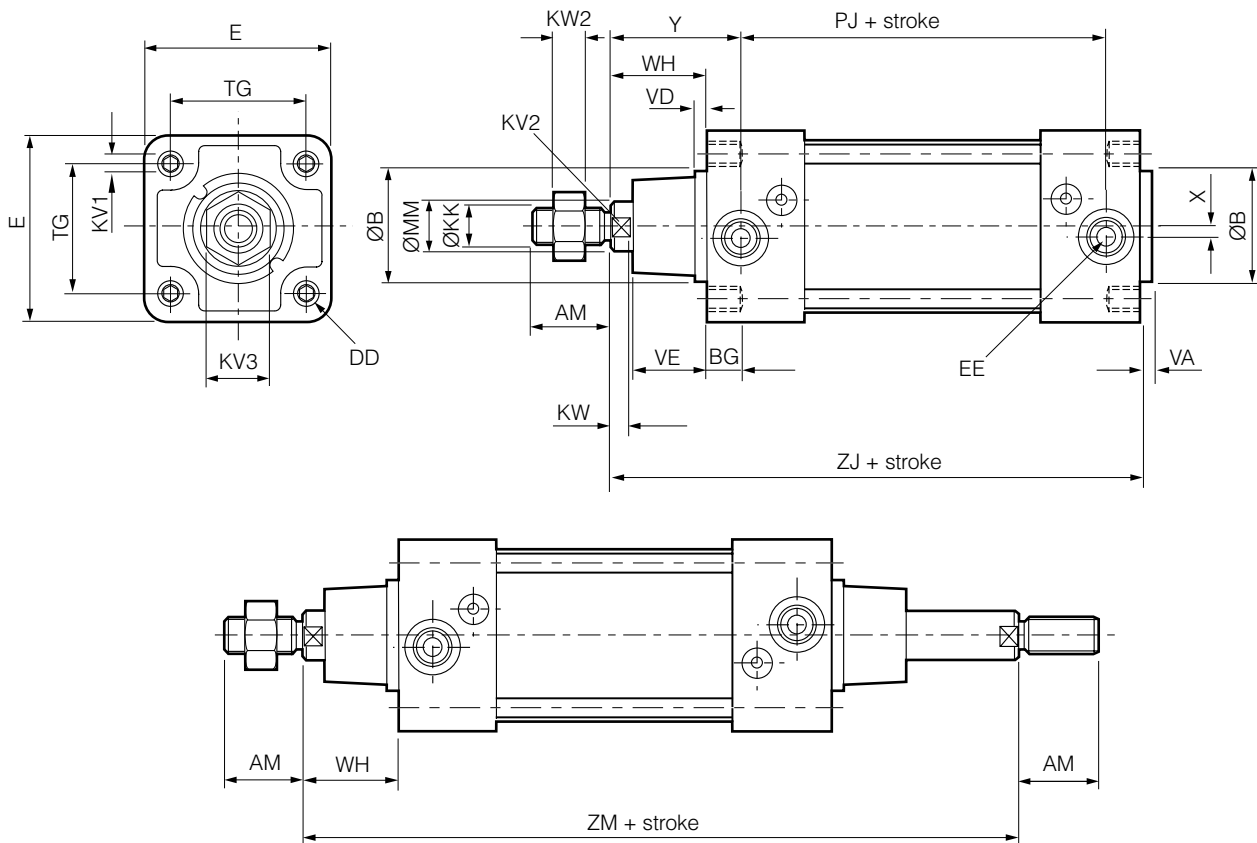
Tube dimension: What tube bore should be selected to obtain the maximum cylinder velocity? Start at pipe length 5 m, follow the line up to the intersection with 800 NI/min. Select the next largest tube diameter, in this case Ø10/8 mm.

Cylinder velocity: What maximum cylinder velocity will be obtained? Follow the line for 800 NI/min to the left until it intersects with the line for the Ø40 mm cylinder. In this example, the speed is just above 1.1 m/s.

Valve series with respective flows in NI/minute

Valve series	Qn in NI/Min
Valvetronic Solstar	33
Interface PS1	100
Adex A05	173
Moduflex size 1, (2 x 3/2)	220
Valvetronic PVL-B 5/3 closed centre, 6 mm push in	290
Moduflex size 1, (4/2)	320
B43 Manual and mechanical	340
Valvetronic PVL-B 2 x 2/3, 6 mm push in	350
Valvetronic PVL-B 5/3 closed centre, G1/8	370
Compact Isomax DX02	385
Valvetronic PVL-B 2 x 3/2 G1/8	440
Valvetronic PVL-B 5/2, 6 mm push in	450
Valvetronic PVL-B 5/3 vented centre, 6 mm push in	450
Moduflex size 2, (2 x 3/2)	450
Flowstar P2V-A	520
Valvetronic PVL-B 5/3 vented centre, G1/8	540
Valvetronic PVL-B 5/2, G1/8	540
Valvetronic PVL-C 2 x 3/2, 8 mm push in	540
Adex A12	560
Valvetronic PVL-C 2 x 3/2 G1/8	570
Compact Isomax DX01	585
VIKING Xtreme P2LAX	660
Valvetronic PVL-C 5/3 closed centre, 8 mm push in	700
Valvetronic PVL-C 5/3 vented centre, G1/4	700
B3-Series	780
Valvetronic PVL-C 5/3 closed centre, G1/4	780
Moduflex size 2, (4/2)	800
Valvetronic PVL-C 5/2, 8 mm push in	840
Valvetronic PVL-C 5/3 vented centre, 8 mm push in	840
Valvetronic PVL-C 5/2, G1/4	840
Flowstar P2V-B	1090
ISOMAX DX1	1150
B53 Manual and mechanical	1160
B4-Series	1170
VIKING Xtreme P2LBX	1290
B5-Series, G1/4	1440
Airline Isolator Valve VE22/23	1470
ISOMAX DX2	2330
VIKING Xtreme P2LCX, G3/8	2460
VIKING Xtreme P2LDX, G1/2	2660
ISOMAX DX3	4050
Airline Isolator Valve VE42/43	5520
Airline Isolator Valve VE82/83	13680

Dimensions



Cyl. bore Ø mm	MM	KK* Ø	AM*	ØB +0/-2	WH e11	VD	VE	ZJ	VA	PJ	X	Y	KV3	KW2 A/F
160	40	M36x2	72	65	80	7	52	260	5	132	0	104	55	18
200	40	M36x2	72	75	95	7	60	275	5	132	0	119	55	18

Cyl. bore Ø mm	EE	DD	KV1	BG A/F	KV2 min	KW A/F	E	TG	ZM
160	G ³ / ₄	M16	30	24	36	16	179	140	340
200	G ³ / ₄	M16	30	24	36	16	216	175	370

* According to ISO 6431

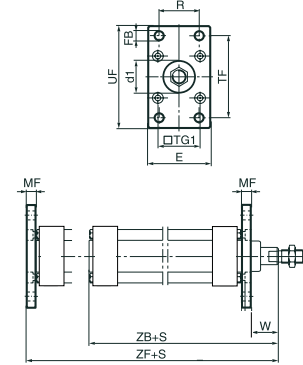
Cylinder mountings

Type	Description	Cyl. bore Ø mm	Weight kg	Order code
Flange MF1/MF2	Intended for fixed mounting of cylinder. Flange can be fitted to front or rear end cover of cylinder.	160 200	6,00 8,00	P1C-4SMB P1C-4TMB



Materials
Flange: Surface-treated steel, black
Mounting screws acc. to DIN 6912: Zinc-plated steel 8.8

Supplied complete with mounting screws for attachment to cylinder.



According to ISO MF1/MF2, VDMA 24 562, AFNOR

Cyl. bore mm	d1 mm	FB mm	TG1 mm	E mm	R mm	MF mm	TF mm	UF mm	W mm	ZF mm
160	65	18	140	190	115	20	230	275	60	280
200	75	22	175	225	135	25	270	318	70	300

S=Stroke length

Foot bracket MS1

Intended for fixed mounting of cylinder. Foot bracket can be fitted to front and rear end covers of cylinder.

160
200
** Weight per item

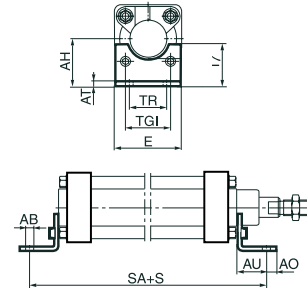
1,60
4,40

P1C-4SMF
P1C-4TMF



Materials
Foot bracket: Surface-treated steel, black
Mounting screws acc. to DIN 912: Zinc-plated steel 8.8

Supplied in pairs with mounting screws for attachment to cylinder.



According to ISO MS1, VDMA 24 562, AFNOR

Cyl. bore mm	AB mm	TG ₁ mm	E mm	TR mm	AO mm	AU mm	AH mm	l ₁ mm	AT mm	SA mm
160	18	140	177	115	24	60	115	-	4,75	300
200	22	175	214	135	30	70	135	-	8	320

S=Stroke lengthd

Clevis bracket MP2

Intended for flexible mounting of cylinder. Clevis bracket MP2 can be combined with clevis bracket MP4.

160
200

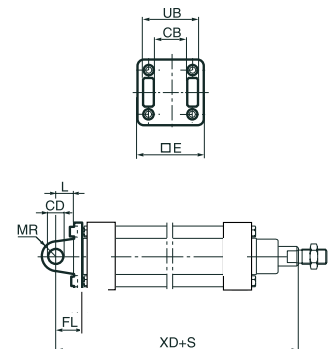
3,90
6,80

P1C-4SMT
P1C-4TMT



Materials
Clevis bracket: Surface-treated aluminium, black
Pin: Surface hardened steel
Circlips according to DIN 471: Spring steel
Mounting screws acc. to DIN 912: Zinc-plated steel 8.8

Supplied complete with mounting screws for attachment to cylinder.



According to ISO MP2, VDMA 24 562, AFNOR

Cyl. bore mm	E mm	UB mm	CB mm	FL mm	L mm	CD mm	MR mm	XD mm
160	177	170	90	55	35	30	30	315
200	214	170	90	60	36	30	30	335

S=Stroke length

Cylinder mountings

Type	Description	Cyl. bore Ø mm	Weight kg	Order code
Clevis bracket MP4	Intended for flexible mounting of cylinder. Clevis bracket MP4 can be combined with clevis bracket MP2.	160	3,00	P1C-4SME P1C-4TME
		200	6,20	



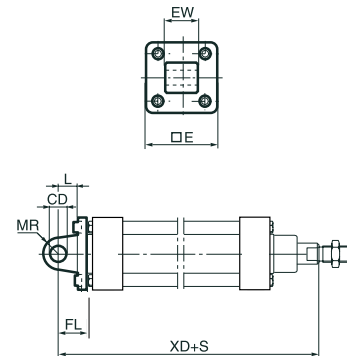
Materials
Clevis bracket: Surface-treated aluminium, black
Mounting screws acc. to DIN 912: Zinc-plated steel 8.8

Supplied complete with mounting screws for attachment to cylinder.

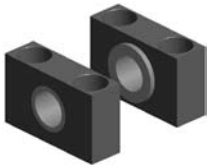
According to ISO MP4, VDMA 24 562, AFNOR

Cyl. bore mm	E	EW	FL ±0,2	L	CD	MR	XD
160	177	90	55	35	30	30	315
200	214	90	60	35	30	30	335

S=Stroke length



Pivot bracket for MT4	Intended for use together with central trunnion MT4.	160	6,46	9301054268 9301054268
		200	9,20	

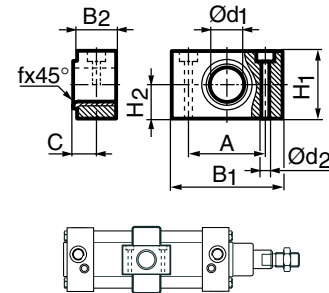


Material
Pivot bracket: Surface-treated aluminium
Bearing acc. to DIN 1850 C: Sintered oil-bronze bushing

Supplied in pairs.

According to ISO, VDMA 24 562, AFNOR

Cyl. bore mm	B ₁	B ₂	A	C	d ₁	d ₂ H13	H ₁	H ₂	fx45° min
160	92	40	60	22,5	32	18,0	60	30	2,5
200	92	40	60	22,5	32	18,0	60	30	2,5



Centre trunnion MT4	Intended for articulated mounting of cylinder. The trunnion is factory-fitted in the centre of the cylinder or at an optional location specified by the XV-measure – see the order code key on page 7. Combined with pivot bracket for MT4.	160	XX	See order key on page 7
		200	XX	



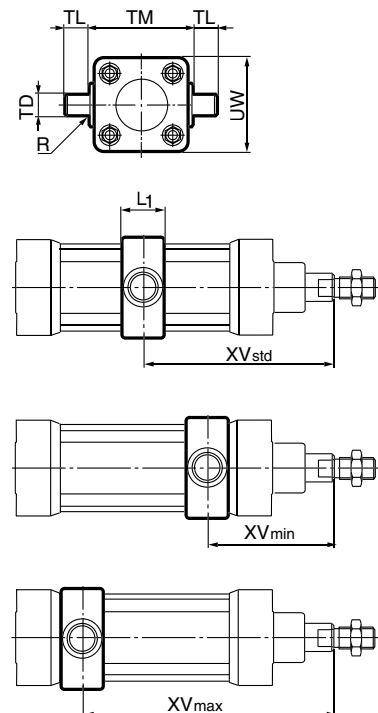
Material:
Trunnion: zinc plated steel

Trunnion centred

The central trunnion is ordered with letter D in position. See the order code key at pages 7.

Trunnion with optional location

Please contact customer service for other XV dimensions



According to ISO MT4, VDMA 24 562, AFNOR

Cyl. bore mm	TM	TL	TD	R	UW	L1	X1*	XV* min	X2*
160	200	32	32	2,5	190	70	170	169	170
200	250	32	32	2,5	242	70	185	184	186

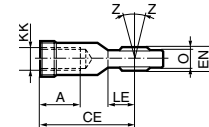
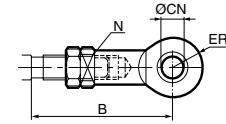
XVstd = X1 + Stroke length/2, XVmax = X2 + Stroke length

Cylinder mountings

Type	Description	Cyl. bore Ø mm	Weight kg	Order code
Swivel rod eye	Swivel rod eye for articulated mounting of cylinder. Swivel rod eye can be combined with clevis bracket GA. Maintenance-free.	160	2,00	P1C-4SRS P1C-4SRS
		200	2,00	



Materials
Swivel rod eye: Zinc-plated steel
Swivel bearing according to DIN 648K: Hardened steel



According to ISO 8139

Cyl. bore mm	A mm	B min mm	B max mm	CE mm	CN H9 mm	EN h12 mm	ER mm	KK M36x2	LE min mm	N mm	O mm	Z mm
160	56	139	161	125	35	43	40	M36x2	41	14	28	15°
200	56	139	161	125	35	43	40	M36x2	41	14	28	15°

Clevis

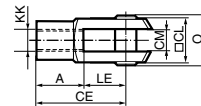
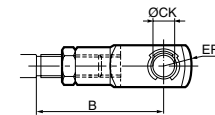
Clevis for articulated mounting of cylinder.

160 4,30
200 4,30

P1C-4SRC
P1C-4SRC



Material
Clevis, clip: Galvanized steel
Pin: Hardened steel



According to ISO 8140

Cyl. bore mm	A mm	B min mm	B max mm	CE mm	CK h11/E9 mm	CL mm	CM mm	ER mm	KK M36x2	LE mm	O mm
160	72	158	180	144	35	70	35	50	M36x2	72	83
200	72	158	180	144	35	70	35	50	M36x2	72	83

Nut

Intended for fixed mounting of accessories to the piston rod.
Material: Zinc-plated steel

160 0,110
200 0,110

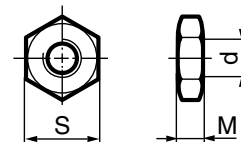
9128985606
9128985606



The cylinders are delivered with a zinc-plated steel piston rod nut

According to DIN 439 B

Cyl. bore mm	d mm	M mm	S mm
160	M36x2	18	55
200	M36x2	18	55



New drop-in sensors

The completely new "drop-in" sensors can easily be installed from the side in the sensor groove, at any position along the piston stroke. The sensors are completely recessed and thus mechanically protected. Choose between electronic or reed sensors and several cable lengths and 8 mm and M12 connectors. There is a double jointed adapter for the tie-rod version, which offers simple and flexible use of standard sensors.



Electronic sensors

The new electronic sensors are "Solid State", i.e. they have no moving parts at all. They are provided with short-circuit protection and transient protection as standard. The built-in electronics make the sensors suitable for applications with high on and off switching frequency, and where very long service life is required.

Technical data

Design	GMR (Giant Magnetic Resistance) magneto-resistive function
Installation	From side, down into the sensor groove, so-called drop-in
Outputs	PNP, normally open (also available in NPN design, normally closed, on request)
Voltage range	10-30 VDC 10-18 V DC, ATEX sensor
Ripple	max 10%
Voltage drop	max 2,5 V
Load current	max 100 mA
Internal consumption	max 10 mA
Actuating distance	min 9 mm
Hysteresis	max 1,5 mm
Repeatability accuracy	max 0,2 mm
On/off switching frequency	max 5 kHz
On switching time	max 2 ms
Off switching time	max 2 ms
Encapsulation	IP 67 (EN 60529)
Temperature range	-25 °C to +75 °C -20 °C to +45 °C, ATEX sensor
Indication	LED, yellow
Material housing	PA 12
Material screw	Stainless steel
Cable	PVC or PUR 3x0.25 mm ² see order code respectively

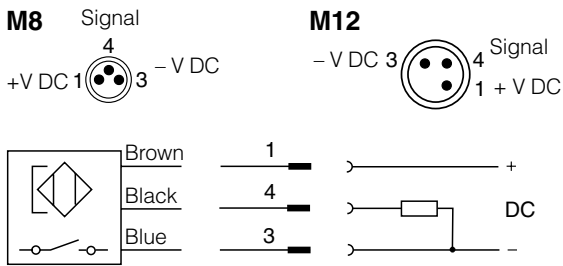
Reed sensors

The sensors are based on proven reed switches, which offer reliable function in many applications. Simple installation, a protected position on the cylinder and clear LED indication are important advantages of this range of sensors.

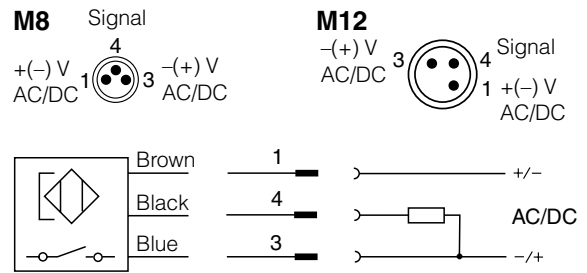
Technical data

Design	Reed element
Mounting	From side, down into the sensor groove, so-called drop-in
Output	Normally open , or normally closed
Voltage range	10-30 V AC/DC or 10-120 V AC/DC 24-230 V AC/DC
Load current	max 500 mA for 10-30 V or max 100 mA for 10-120 V max 30 mA for 24-230 V
Breaking power (resistive)	max 6 W/VA
Actuating distance	min 9 mm
Hysteresis	max 1,5 mm
Repeatability accuracy	0,2 mm
On/off switching frequency	max 400 Hz
On switching time	max 1,5 ms
Off switching time	max 0,5 ms
Encapsulation	IP 67 (EN 60529)
Temperature range	-25 °C to +75 °C
Indication	LED, yellow
Material housing	PA12
Material screw	Stainless steel
Cable	PVC or PUR 3x0.14 mm ² see order code respectively

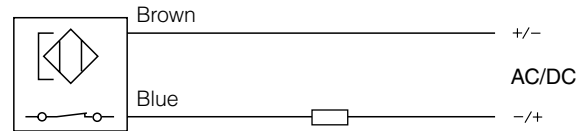
Electronic sensors



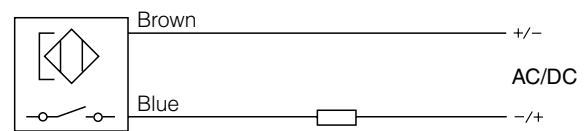
Reed sensors



P8S-GCFPX

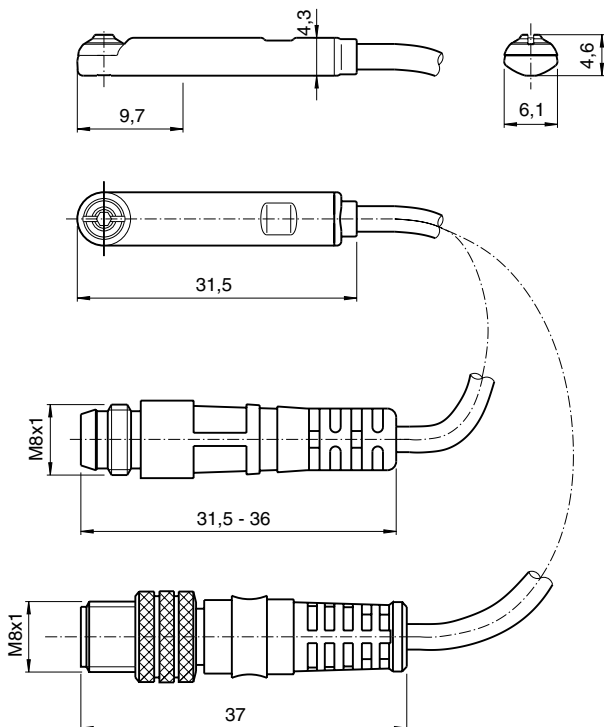


P8S-GRFLX / P8S-GRFLX2

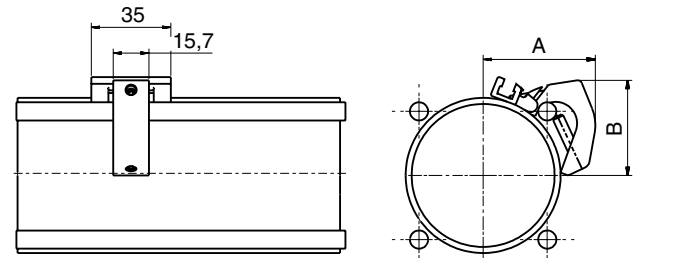


Dimensions

Sensors




Adapter



Cyl. bore mm	A mm	B mm
160	95	90
200	112	107

Ordering data

Output/function	Cable/connector	Weight kg	Order code
Electronic sensors , 10-30 V DC			
PNP type, normally open	0,27 m PUR-cable and 8 mm snap-in male connector	0,007	P8S-GPSHX
PNP type, normally open	1,0 m PUR-cable and 8 mm snap-in male connector	0,013	P8S-GPSCX
PNP type, normally open	1,0 m PUR-cable and M8 screw male connector	0,013	P8S-GPCCX
PNP type, normally open	0,27 m PUR-cable and M12 screw male connector	0,015	P8S-GPMHX
PNP type, normally open	3 m PVC-cable without connector	0,030	P8S-GPFLX
PNP type, normally open	10 m PVC-cable without connector	0,110	P8S-GPFTX
Electronic sensor 18-30 V DC			
ATEX-certified			
 II3G EEx nA II T4X II3D 135 °C IP67		See ATEX information in P1D catalogue	
Type PNP , normally open	3 m PVC-cable without connector	0,030	P8S-GPFLX/EX
Reed sensors , 10-30 V AC/DC			
Normally open	0,27 m PUR-cable and 8 mm snap-in male connector	0,007	P8S-GSSHX
Normally open	1,0 m PUR-cable and 8 mm snap-in male connector	0,013	P8S-GSSCX
Normally open	1,0 m PUR-cable and M8 male connector	0,013	P8S-GSCCX
Normally open	0,27 m PUR-cable and M12 screw male connector	0,015	P8S-GSMHX
Normally open	1,0 m PUR-cable and M12 screw male connector	0,023	P8S-GSMCX
Normally open	3 m PVC-cable without connector	0,030	P8S-GSFLX
Normally open	10 m PVC-cable without connector	0,110	P8S-GSFTX
Normally closed	5m PVC-cable without connector ¹⁾	0,050	P8S-GCFPX
Reed sensors, 10-120 V AC/DC			
Normally open	3 m PVC-cable without connector	0,030	P8S-GRFLX
Reed sensorer, 24-230 V AC/DC			
Normally open	3 m PVC-cable without connector	0,030	P8S-GRFLX2

1) Without LED

Adapter for tie-rod design

Description	Weight kg	Order code
Double jointed adapter	0,07	P8S-TMA0X



Connecting cables with one connector

The cables have an integral snap-in female connector.



Type of cable	Cable/connector	Weight kg	Order code
Cables for sensors, complete with one female connector			
Cable, Flex PVC	3 m, 8 mm Snap-in connector	0,07	9126344341
Cable, Flex PVC	10 m, 8 mm Snap-in connector	0,21	9126344342
Cable, Super Flex PVC	3 m, 8 mm Snap-in connector	0,07	9126344343
Cable, Super Flex PVC	10 m, 8 mm Snap-in connector	0,21	9126344344
Cable, Polyurethane	3 m, 8 mm Snap-in connector	0,01	9126344345
Cable, Polyurethane	10 m, 8 mm Snap-in connector	0,20	9126344346
Cable, Polyurethane	5 m, M12 screw connector	0,07	9126344348
Cable, Polyurethane	10 m, M12 screw connector	0,20	9126344349

Male connectors for connecting cables

Cable connectors for producing your own connecting cables. The connectors can be quickly attached to the cable without special tools. Only the outer sheath of the cable is removed. The connectors are available for M8 and M12 screw connectors and meet protection class IP 65.



Connector	Weight kg	Order code
M8 screw connector	0,017	P8CS0803J
M12 screw connector	0,022	P8CS1204J

Ready to use connecting cables with connectors at each end

As accessories the system comprises a large number of different cables in order to meet all requirements that may arise and to make the installation simple, fast and reliable. Cables with moulded 8 mm snap-in round contacts in both ends. The cables are available in two types, one with a straight male and female connectors respectively, and one with a straight 3-pole male connector in one end and an angled 3-pole female connector in the other end.



Technical data

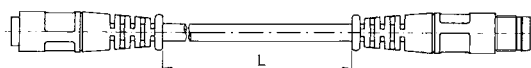
Contacts

Moulded 8 mm snap-in male/female contacts.
Enclosure IP67

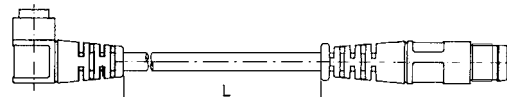
Cable

Conductor 3x0,25 mm² (32x0,10 mm²)
Sheath PVC/PUR
Colour Black

Cables with straight 3-pole male and female connectors respectively.



Cables with a straight 3-pole male connector in one end and an angled 3-pole female connector in the other end.



Designation	Weight kg	Order code
Cable with straight contacts, 0,2 m	0,02	9121717014
Cable with straight contacts, 0,3 m	0,02	9121717015
Cable with straight contacts, 0,5 m	0,03	9121717016
Cable with straight contacts, 1,0 m	0,03	9121717017
Cable with straight contacts, 2,0 m	0,05	9121717018
Cable with straight contacts, 3,0 m	0,07	9121717019
Cable with straight contacts, 5,0 m	0,12	9121717020
Cable with straight contacts, 10 m	0,23	9121717021

Designation	Weight kg	Order code
Cable with straight and angled connectors, 0,2 m	0,02	9121717022
Cable with straight and angled connectors, 0,3 m	0,02	9121717023
Cable with straight and angled connectors, 0,5 m	0,03	9121717024
Cable with straight and angled connectors, 1,0 m	0,03	9121717025
Cable with straight and angled connectors, 2,0 m	0,05	9121717026
Cable with straight and angled connectors, 3,0 m	0,07	9121717027
Cable with straight and angled connectors, 5,0 m	0,12	9121717028
Cable with straight and angled connectors, 10 m	0,23	9121717029

Connection block Valvetronic 110

The Valvetronic 110 is a connection block that can be used for collecting signals from sensors at various points on a machine and connecting them to the control system via a multicore cable. Valvetronic 110 can also be used for central connection of the multi-core cable to the outputs of a control system, and can be laid to a machine where the output signals can be connected. The connection block has ten 8 mm snap-in circular connectors and a multi-core cable which is available in lengths of 3 or 10 m. The connections on the block are numbered from 1 to 10. Blanking plugs are available for unused connections, as labels for marking the connections of each block.



Technical data

Connections:

Ten 3-pole numbered 8 mm round snap-in female contacts
Input block



- Pin 1 Common, +24 VDC
- Pin 2 Input signal
- Pin 3 Common, 0V

Output block



- Pin 1 Common, GND
- Pin 2 Output signal
- Pin 3 Common, 0V

Electrical data:

Voltage 24 VDC (max. 60 V AC/75 V DC)
Insulation group according to DIN 0110 class C
Load max. 1 A per connection
total max. 3 A

Cable:

Length 3 m or 10 m
Type of cable LifYY11Y
Conductor 12
Area 0.34 mm²
Colour marking According to DIN 47 100

Mechanical data

Enclosure IP 67, DIN 40050 with fitted contacts and/or blanking plugs.

Temperature -20 °C to +70 °C





Material

Body PA 6,6 VD according to UL 94
Contact holder PBTP
Snap-in ring LDPE
Moulding mass Epoxy
Seal NBR
Screws Plated steel

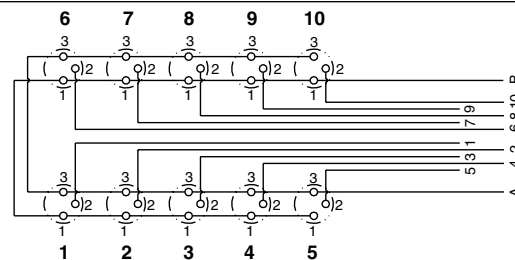
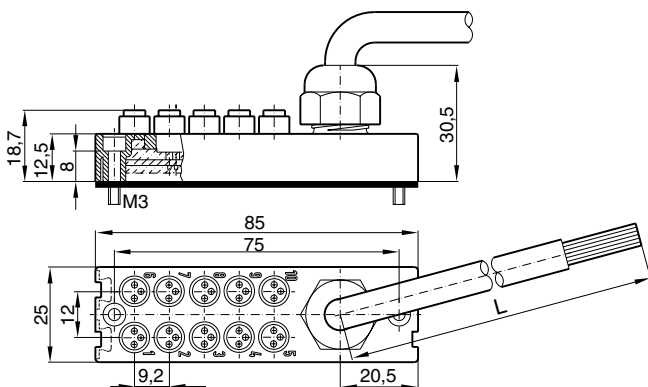
Industrial durability

Good chemical and oil resistance. Tests should be performed in aggressive environments.

Ordering data




Designation	Weight kg	Order code
 Connection block Valvetronic 110 with 3 m cable	0,32	9121719001
 Connection block Valvetronic 110 with 10 m cable	0,95	9121719002
 Blanking plugs (pack of 10) Use blanking plugs to close unused connections.	0,02	9121719003
 Labels (pack of 10) White labels to insert in grooves on the side of the connection	0,02	9121719004

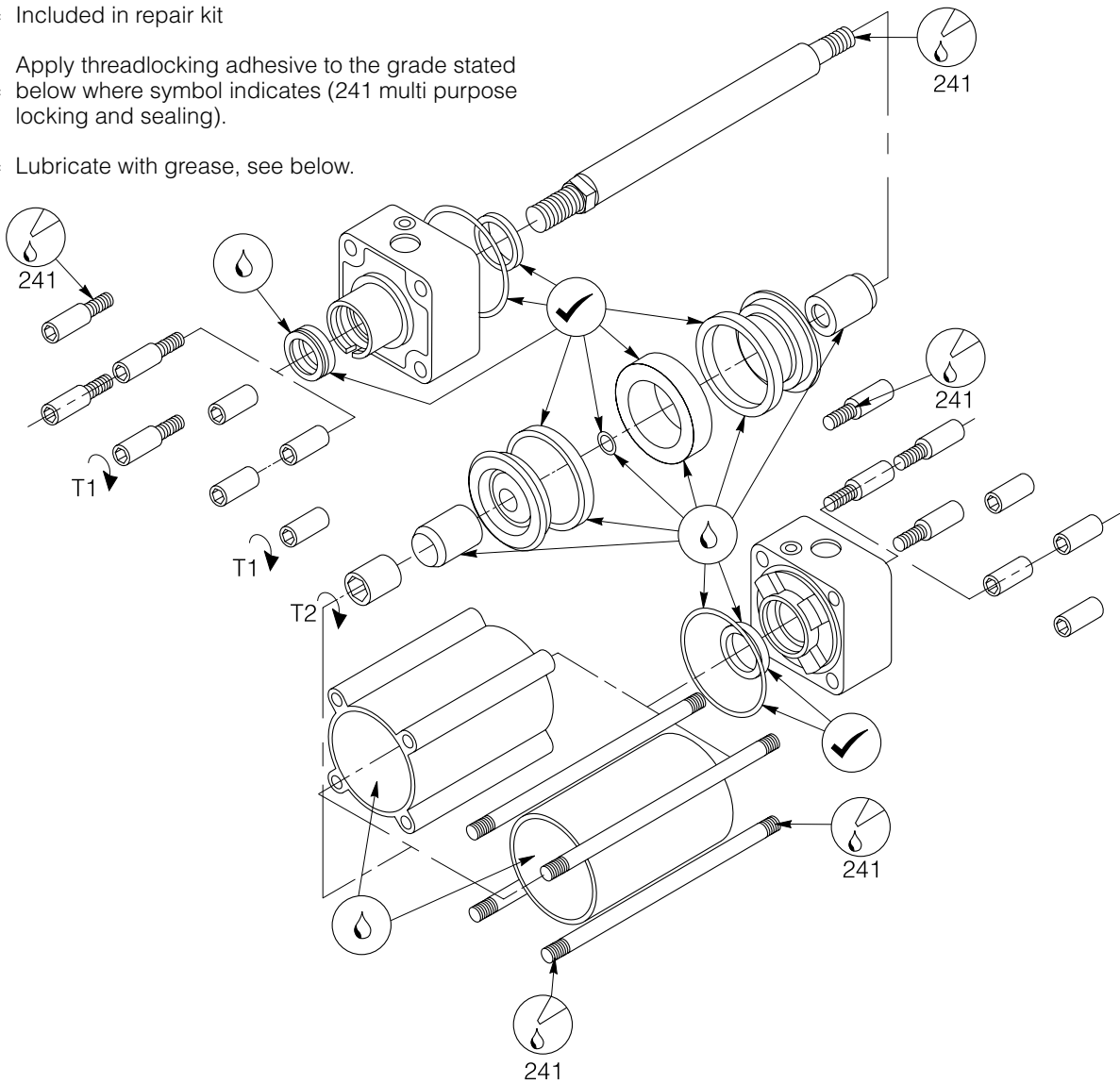
Dimensions and wiring diagrams



Conductor	Colour	Input	Output
1	Pink	Signal 1	Signal 1
2	Grey	Signal 2	Signal 2
3	Yellow	Signal 3	Signal 3
4	Green	Signal 4	Signal 4
5	White	Signal 5	Signal 5
6	Red	Signal 6	Signal 6
7	Black	Signal 7	Signal 7
8	Violet	Signal 8	Signal 8
9	Grey-Pink	Signal 9	Signal 9
10	Red-Blue	Signal 10	Signal 10
A	Blue	0 V	0 V
B	Brown	+24 V	PE

Repair kits

-  = Included in repair kit
-  = Apply threadlocking adhesive to the grade stated below where symbol indicates (241 multi purpose locking and sealing).
-  = Lubricate with grease, see below.



Ø	T1 Nm	NV	T2 Nm	NV
32	4-5	6	9-10	5
40	4-5	6	9-10	6
50	9-10	8	28-30	12
63	9-10	8	28-30	12
80	18-20	10	80-85	12
100	18-20	10	80-85	12
125	24-26	24	115-125	30
160	36-38	30	163-177	22
200	36-38	30	163-177	22

Ø	Repair kits	
	Standard	High temperature
32	P1E-6KRM	P1E-6KRV
40	P1E-6LRM	P1E-6LRV
50	P1E-6MRM	P1E-6MRV
63	P1E-6NRM	P1E-6NRV
80	P1E-6PRM	P1E-6PRV
100	P1E-6QRM	P1E-6QRV
125	P1E-6RRM	P1E-6RRV
160	P1E-6SRM	P1E-6SRV
200	P1E-6TRM	P1E-6TRV

Grease for P1E



Standard	30g	9127394541
High temperature	30g	9127394521
Low temperature	30g	9127394541

Parker Worldwide

AE – UAE, Dubai
Tel: +971 4 8127100
parker.me@parker.com

AR – Argentina, Buenos Aires
Tel: +54 3327 44 4129

AT – Austria, Wiener Neustadt
Tel: +43 (0)2622 23501-0
parker.austria@parker.com

AT – Eastern Europe, Wiener Neustadt
Tel: +43 (0)2622 23501 900
parker.easteurope@parker.com

AU – Australia, Castle Hill
Tel: +61 (0)2-9634 7777

AZ – Azerbaijan, Baku
Tel: +994 50 2233 458
parker.azerbaijan@parker.com

BE/LU – Belgium, Nivelles
Tel: +32 (0)67 280 900
parker.belgium@parker.com

BR – Brazil, Cachoeirinha RS
Tel: +55 51 3470 9144

BY – Belarus, Minsk
Tel: +375 17 209 9399
parker.belarus@parker.com

CA – Canada, Milton, Ontario
Tel: +1 905 693 3000

CH – Switzerland, Etoy
Tel: +41 (0) 21 821 02 30
parker.switzerland@parker.com

CL – Chile, Santiago
Tel: +56 2 623 1216

CN – China, Shanghai
Tel: +86 21 5031 2525

CZ – Czech Republic, Klecany
Tel: +420 284 083 111
parker.czechrepublic@parker.com

DE – Germany, Kaarst
Tel: +49 (0)2131 4016 0
parker.germany@parker.com

DK – Denmark, Ballerup
Tel: +45 43 56 04 00
parker.denmark@parker.com

ES – Spain, Madrid
Tel: +34 902 33 00 01
parker.spain@parker.com

FI – Finland, Vantaa
Tel: +358 (0)20 753 2500
parker.finland@parker.com

FR – France, Contamine s/Arve
Tel: +33 (0)4 50 25 80 25
parker.france@parker.com

GR – Greece, Athens
Tel: +30 210 933 6450
parker.greece@parker.com

HK – Hong Kong
Tel: +852 2428 8008

HU – Hungary, Budapest
Tel: +36 1 220 4155
parker.hungary@parker.com

IE – Ireland, Dublin
Tel: +353 (0)1 466 6370
parker.ireland@parker.com

IN – India, Mumbai
Tel: +91 22 6513 7081-85

IT – Italy, Corsico (MI)
Tel: +39 02 45 19 21
parker.italy@parker.com

JP – Japan, Tokyo
Tel: +(81) 3 6408 3901

KR – South Korea, Seoul
Tel: +82 2 559 0400

KZ – Kazakhstan, Almaty
Tel: +7 7272 505 800
parker.easteurope@parker.com

LV – Latvia, Riga
Tel: +371 6 745 2601
parker.latvia@parker.com

MX – Mexico, Apodaca
Tel: +52 81 8156 6000

MY – Malaysia, Shah Alam
Tel: +60 3 7849 0800

NL – The Netherlands, Oldenzaal
Tel: +31 (0)541 585 000
parker.nl@parker.com

NO – Norway, Ski
Tel: +47 64 91 10 00
parker.norway@parker.com

NZ – New Zealand, Mt Wellington
Tel: +64 9 574 1744

PL – Poland, Warsaw
Tel: +48 (0)22 573 24 00
parker.poland@parker.com

PT – Portugal, Leca da Palmeira
Tel: +351 22 999 7360
parker.portugal@parker.com

RO – Romania, Bucharest
Tel: +40 21 252 1382
parker.romania@parker.com

RU – Russia, Moscow
Tel: +7 495 645-2156
parker.russia@parker.com

SE – Sweden, Spånga
Tel: +46 (0)8 59 79 50 00
parker.sweden@parker.com

SG – Singapore
Tel: +65 6887 6300

SK – Slovakia, Banská Bystrica
Tel: +421 484 162 252
parker.slovakia@parker.com

SL – Slovenia, Novo Mesto
Tel: +386 7 337 6650
parker.slovenia@parker.com

TH – Thailand, Bangkok
Tel: +662 717 8140

TR – Turkey, Istanbul
Tel: +90 216 4997081
parker.turkey@parker.com

TW – Taiwan, Taipei
Tel: +886 2 2298 8987

UA – Ukraine, Kiev
Tel: +380 44 494 2731
parker.ukraine@parker.com

UK – United Kingdom, Warwick
Tel: +44 (0)1926 317 878
parker.uk@parker.com

US – USA, Cleveland
Tel: +1 216 896 3000

VE – Venezuela, Caracas
Tel: +58 212 238 5422

ZA – South Africa, Kempton Park
Tel: +27 (0)11 961 0700
parker.southafrica@parker.com

European Product Information Centre
Free phone: 00 800 27 27 5374

(from AT, BE, CH, CZ, DE, DK, ES, FI, FR, IE, IT, NL, NO, PL, PT, RU, SE, UK, ZA)

Catalogue PDE2580TCUK-ul. May 2009

© 2009 Parker Hannifin Corporation. All rights reserved.



Parker Hannifin Ltd
Pneumatic Division Europe
The Collins Centre,
Lichfield South, Wall Island,
Birmingham Road, Lichfield.
WS14 0QP United Kingdom
Tel.: +44 (0) 1543 483800
Fax: +44 (0) 1543 483801
www.parker.com/euro_pneumatic

Autoryzowany dystrybutor Parker:

ARA[®]
PNEUMATIK
53-012 Wrocław tel. 71 364 72 82
ul. Wyścigowa 38 fax 71 364 72 83
www.arapneumatik.pl

