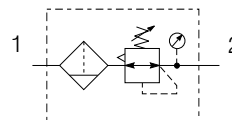


Filter-Regulator

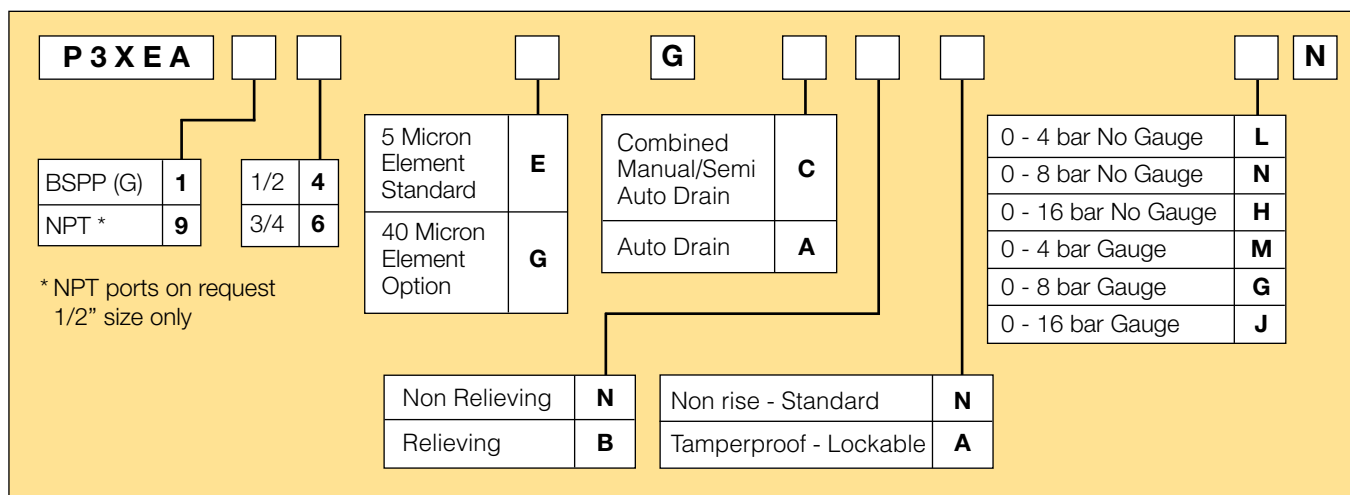


Symbols



- Integral 1/2 or 3/4 ports
- High efficiency 5 micron element as standard
- Excellent water removal efficiency
- Secondary pressure ranges 8 and 16 bar
- Rolling diaphragm for extended life
- Secondary aspiration plus balanced poppet provides quick response and accurate pressure regulation.
- Low temperature -40°C with combined manual/semi - auto drain as standard

Options:



Port size	Description	Order Code	Flow dm ³ /s *	Max bar	Min temp °C	Max temp °C	Bowl capacity cm ³	Height mm	Width mm	Depth mm	Weight g
1/2	8 bar, relieving, Combined manual/semi auto drain	P3XEA14EGCBNNN	111	16	-40	60	60	280	62	62	500
1/2	8 bar relieving, auto drain	P3XEA14EGABNNN	111	16	-10	60	60	280	62	62	500
1/2	8 bar, relieving, gauge Combined manual/semi auto drain	P3XEA14EGCBNGN	111	16	-10	60	60	280	62	62	550
1/2	8 bar relieving, gauge, auto drain	P3XEA14EGABNGN	111	16	-10	60	60	280	62	62	550
3/4	8 bar, relieving, Combined manual/semi auto drain	P3XEA16EGCBNNN	113	16	-40	60	60	280	62	62	500
3/4	8 bar relieving, auto drain	P3XEA16EGABNNN	113	16	-10	60	60	280	62	62	500
3/4	8 bar, relieving, gauge Combined manual/semi auto drain	P3XEA16EGCBNGN	113	16	-10	60	60	280	62	62	550
3/4	8 bar relieving, gauge, auto drain	P3XEA16EGABNGN	113	16	-10	60	60	280	62	62	550

* flow with 10 bar inlet pressure, 6,3 bar set pressure and 1 bar pressure drop.



www.arapneumatik.pl

ARA Pneumatik Wrocław
 53-012 Wrocław ul. Wyścigowa 38
 tel. 71 364 72 80; 82 fax 71 364 72 83
pneumatyka@arapneumatik.pl

ARA Pneumatik Oddział Katowice
 40-584 Katowice ul. Dworska 13
 tel. 32 779 76 40; 41 fax 32 778 20 93
katowice@arapneumatik.pl

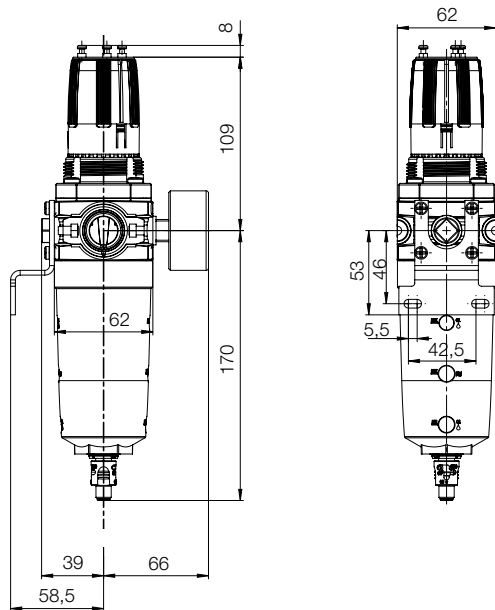


Technical Information

Fluid:	Compressed air
Maximum inlet pressure:	16 bar
Temperature range*:	
Auto drain:	-10°C to +60°C
Combined drain:	-40°C to +60°C
Particle removal:	5 micron and 40 micron
Air quality:	Within ISO 8573-1 : 1991 Class 3 and 5 (particulates) Within ISO 8573-1 : 2001 Class 6 and 7 (particulates)
Typical flow with 10 bar inlet pressure 6,3 bar set pressure and 1 bar pressure drop 106 dm ³ /s	
Manual / Semi-auto drain: pressure to close drain	0.8 bar
Auto drain: bowl pressure to close drain	0.8 bar
Operating range manual override facility	0.8 to 16 bar
Bowl sump capacity:	60 cm ³
Gauge ports (x 2):	1/4"

* Air supply must be dry enough to avoid ice formation at temperatures below +2°C

Dimensions (mm)



Service kits

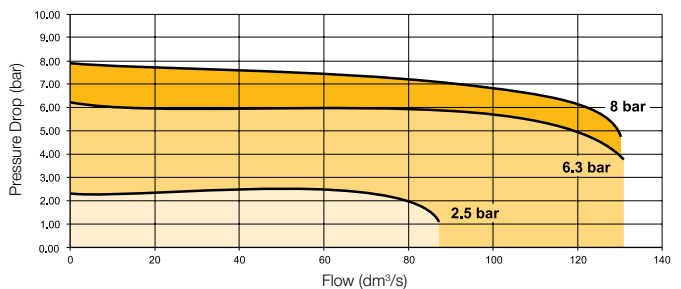
Description	Order code
5 micron element kit	P3XKA00ESE
40 micron element kit	P3XKA00ESG
Bowl kit with combined manual/semi auto drain	P3XKA00BSC
Bowl kit with auto drain	P3XKA00BSA

Material Specification

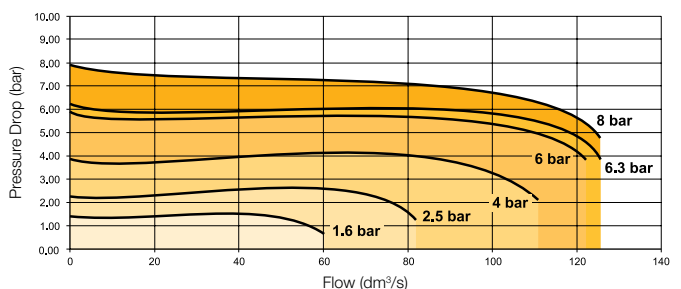
Body:	High tech polymer
Sight glass:	Polypropylene
Body cover:	ABS
Element:	Sintered P.E.
Seals:	Nitrile NBR
Drains:	Manual / Semi-auto: Acetal Automatic: PA / Brass
Bonnet:	High tech polymer
Control knob:	Polyamide
Valve:	Brass / Nitrile
Screws:	Stainless steel

Flow characteristics

(1/2) 5 Micron Filter/Regulator



(3/4) 5 Micron Filter/Regulator



www.arapneumatik.pl

ARA Pneumatik Wrocław
 53-012 Wrocław ul. Wyścigowa 38
 tel. 71 364 72 80; 82 fax 71 364 72 83
pneumatyka@arapneumatik.pl

ARA Pneumatik Oddział Katowice
 40-584 Katowice ul. Dworska 13
 tel. 32 779 76 40; 41 fax 32 778 20 93
katowice@arapneumatik.pl

