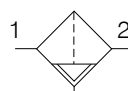


**Filter / Dust Filter**

**Symbols**



Auto drain

- Flanged 1-1/2" or 2" (BSPP & NPT)
- High efficiency particulate element as standard
- Excellent water removal efficiency
- Robust die-cast aluminium construction
- Standard DPI for monitoring (0.5 - 0.8 bar)

**Note:** To optimise the life of the dust 1µm element, it is advisable to install a P3ZFA pre-filter with a 5 micron element upstream of the coalescing filter.

**Options:**

<b>P 3 Z F A</b>					<b>M A</b>		<b>N</b>
SAE Mtg - No thread	<b>0</b>	None	<b>0</b>	40 Micron Element + DPI Standard	<b>H</b>	Auto Drain	<b>MA</b>
BSPP flange	<b>1</b>	1-1/2"	<b>B</b>	5 Micron Element + DPI Optional	<b>F</b>		
NPT flange	<b>9</b>	2"	<b>C</b>	1 Micron Element + DPI	<b>M</b>		

Port size	Description	Order Code	Flow dm <sup>3</sup> /s *	Max bar	Min temp °C	Max temp °C	Bowl capacity cm <sup>3</sup>	Height mm	Width mm	Depth mm	Weight kg
-	40 micron, auto drain	<b>P3ZFA00HMAN</b>	>666	17.5	0	60	600	445	200	182	6.3
1-1/2"	40 micron, auto drain	<b>P3ZFA1BHMAN</b>	>666	17.5	0	60	600	445	200	182	6.3
2"	40 micron, auto drain	<b>P3ZFA1CHMAN</b>	>666	17.5	0	60	600	445	200	182	6.3
-	1 micron, auto drain	<b>P3ZFA00MMAN</b>	>666	17.5	0	60	600	445	200	182	6.3
1-1/2"	1 micron, auto drain	<b>P3ZFA1BMMAN</b>	>666	17.5	0	60	600	445	200	182	6.3
2"	1 micron, auto drain	<b>P3ZFA1CMMAN</b>	>666	17.5	0	60	600	445	200	182	6.3

\* flow with 6,3 bar inlet pressure and 0,5 pressure drop.



Parker Hannifin Corporation  
Pneumatic Division - Europe

Parker Dystrybutor:

**ARA**<sup>®</sup>  
**PNEUMATIK**

53-012 Wrocław tel. 71 364 72 82  
ul. Wyścigowa 38 fax 71 364 72 83

[www.arapneumatik.pl](http://www.arapneumatik.pl)



**Technical Information**

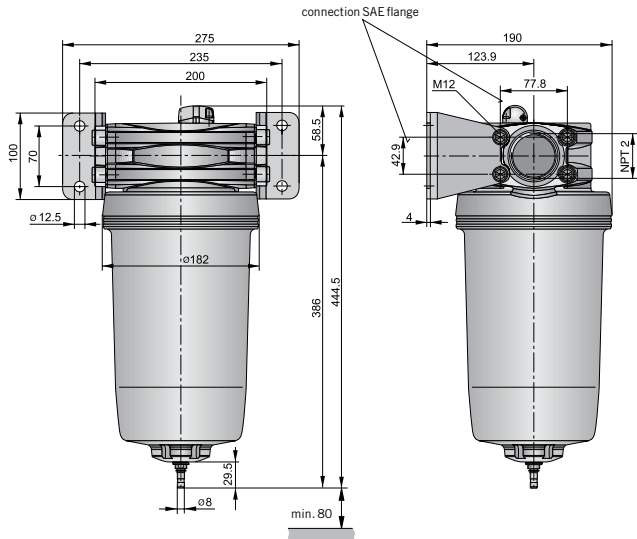
Fluid:	Compressed air
Maximum inlet pressure*:	17.5 bar
Temperature range*:	0°C to +60°C
Particle removal:	40 & 5 micron
Air quality:	Within ISO 8573-1 : 1991 Class 3 and 5 (particulates) Within ISO 8573-1 : 2001 Class 6 and 7 (particulates)
Typical flow with 40µm element 6,3 bar inlet pressure and 0.5 bar pressure drop:	666 dm <sup>3</sup> /s
Auto drain: bowl pressure to close drain Operating range manual override facility (depress pin)	0.8 bar 0.8 to 17.5 bar Ø 10mm brass connection
Bowl sump capacity:	600 cm <sup>3</sup>

\* Air supply must be dry enough to avoid ice formation at temperatures below +2°C

**Material Specification**

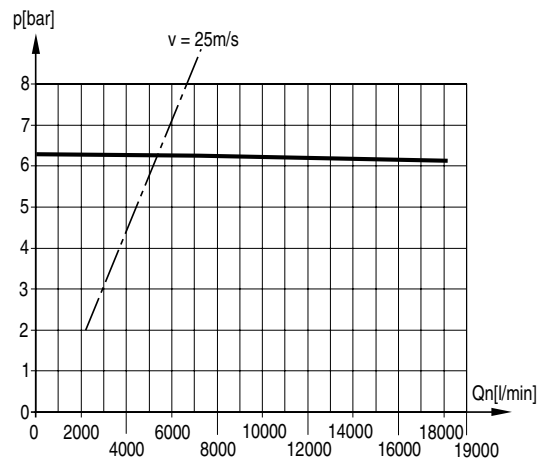
Body:	Aluminium
Element:	Sintered P.E.
Seals:	Nitrile NBR
Drains: Automatic:	PA / Brass connection
Differential pressure indicator materials:	
Body:	Acetal
Internal parts:	Acetal
Spring:	Stainless steel
Seals:	Nitrile NBR
Support plate	ABS
Screws	Steel / zinc plated

**Dimensions (mm)**



**Flow characteristics**

**(2") 40 Micron Filter**



**Service kits**

Description	Order code
5 micron element kit	<b>P3ZKA00ESE</b>
40 micron element kit	<b>P3ZKA00ESG</b>
1 micron element kit	<b>P3ZKA00ES9</b>