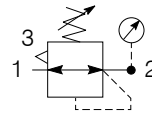
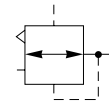


**Regulator / Pilot Regulator**

**Symbols**



Self relieving regulator with gauge



Air pilot

- Flanged 1-1/2" or 2" ports (BSPP & NPT)
- Robust die-cast aluminium construction
- Secondary pressure ranges 8 & 16 bar
- Rolling diaphragm for extended life
- Secondary aspiration plus rolling diaphragm provides quick response and accurate pressure regulation
- Air pilot regulator permanent bleed

**Options:**

<b>P 3 Z R A</b>			<b>B</b>	<b>N</b>		<b>N</b>	
SAE Mtg - No thread	<b>0</b>	None	<b>0</b>	Relieving	<b>B</b>	0 - 8 bar No Gauge	<b>N</b>
BSPP flange	<b>1</b>	1-1/2"	<b>B</b>			0 -16 bar No Gauge	<b>H</b>
NPT flange	<b>9</b>	2"	<b>C</b>			0 - 8 bar Gauge	<b>G</b>
						0 -16 bar Gauge	<b>J</b>
<b>P 3 Z R A</b>			<b>B P P N</b>				
For Air Pilot Regulator option							

Port size	Description	Order Code	Flow dm <sup>3</sup> /s *	Max bar	Min temp °C	Max temp °C	Height mm	Width mm	Depth mm	Weight kg
-	8 bar relieving + gauge	<b>P3ZRA00BNGN</b>	>666	17.5	0	60	230	180	132	3.5
-	8 bar relieving	<b>P3ZRA00BNNN</b>	>666	17.5	0	60	230	180	132	3.5
1-1/2"	8 bar relieving + gauge	<b>P3ZRA1BBNGN</b>	>666	17.5	0	60	230	180	132	3.5
1-1/2"	8 bar relieving	<b>P3ZRA1BBNNN</b>	>666	17.5	0	60	230	180	132	3.5
2"	8 bar relieving + gauge	<b>P3ZRA1CBNGN</b>	>666	17.5	0	60	230	180	132	3.5
2"	8 bar relieving	<b>P3ZRA1CBNNN</b>	>666	17.5	0	60	230	180	132	3.5
-	16 bar relieving + gauge	<b>P3ZRA00BNJN</b>	>666	17.5	0	60	230	180	132	3.5
-	16 bar relieving	<b>P3ZRA00BNHN</b>	>666	17.5	0	60	230	180	132	3.5
1-1/2"	16 bar relieving + gauge	<b>P3ZRA1BBNJN</b>	>666	17.5	0	60	230	180	132	3.5
1-1/2"	16 bar relieving	<b>P3ZRA1BBNHN</b>	>666	17.5	0	60	230	180	132	3.5
2"	16 bar relieving + gauge	<b>P3ZRA1CBNJN</b>	>666	17.5	0	60	230	180	132	3.5
2"	16 bar relieving	<b>P3ZRA1CBNHN</b>	>666	17.5	0	60	230	180	132	3.5
-	Pilot Regulator + gauge	<b>P3ZRA00BPPN</b>	>666	17.5	0	60	182	180	132	3.4
1-1/2"	Pilot Regulator + gauge	<b>P3ZRA1BBPPN</b>	>666	17.5	0	60	182	180	132	3.4
2"	Pilot Regulator + gauge	<b>P3ZRA1CBPPN</b>	>666	17.5	0	60	182	180	132	3.4

\* flow with 10 bar inlet 6,3 bar set pressure and 1 bar pressure drop.

Parker Dystrybutor:

**ARA**<sup>®</sup>  
**PNEUMATIK**

53-012 Wrocław tel. 71 364 72 82  
ul. Wyścigowa 38 fax 71 364 72 83

[www.arapneumatik.pl](http://www.arapneumatik.pl)



Parker Hannifin Corporation  
Pneumatic Division - Europe

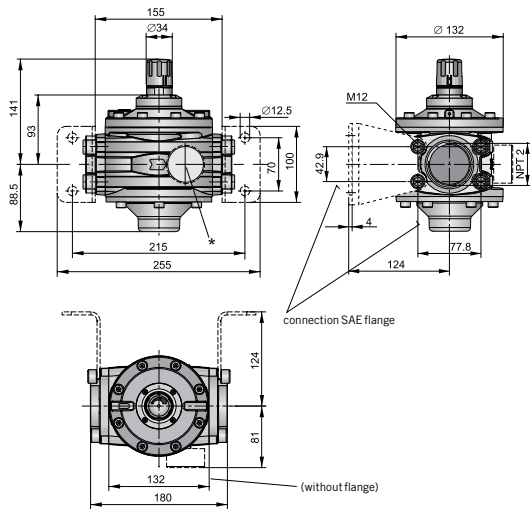
**Technical Information**

Fluid:	Compressed air
Maximum inlet pressure*:	17.5 bar
Temperature range*:	0°C to +60°C
Typical flow with 10 bar inlet pressure, 8 bar set pressure and 1 bar pressure drop:	2" size >666 dm <sup>3</sup> /s
Gauge port ( x 2 ):	1/4"

\* Air supply must be dry enough to avoid ice formation at temperatures below +2°C

**Dimensions (mm)**

**Pressure regulating valve, pilot operated with integrated pilot pressure regulating valve**

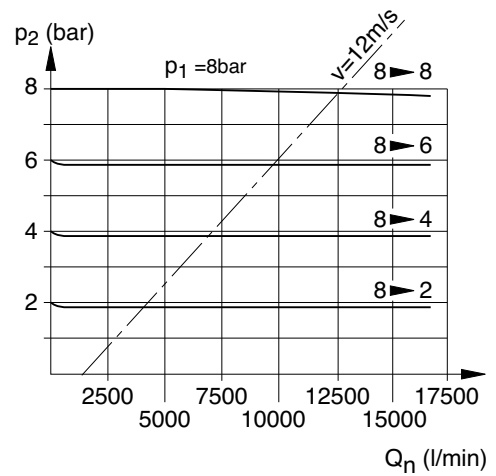


**Material Specification**

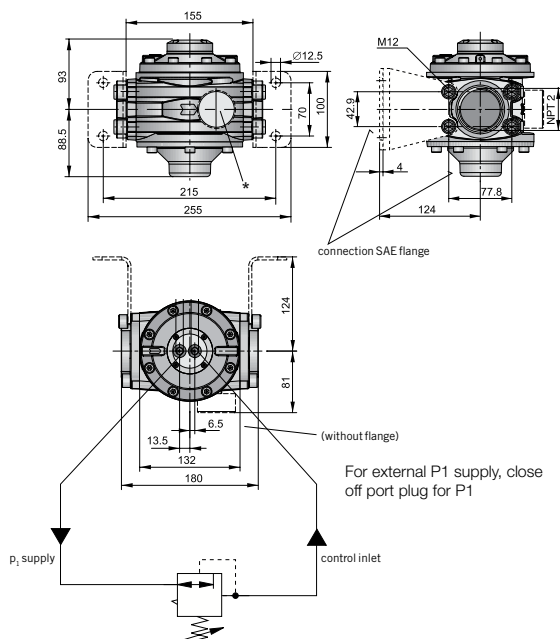
Body:	Aluminium
Bonnet:	Glass filled polyamide
Control Knob:	Glass filled polyamide
Valve:	Brass / NBR
Seals:	Nitrile NBR
Screws:	Steel / zinc plated

**Flow characteristics**

**Pressure regulating valve characteristics - (2") Pilot operated**



**Pressure regulating valve, pilot operated**



**Service kits**

Description	Order code
Diaphragm kit (relieving type)	P3ZKA00RR