

Non-Return Valves



Non-Return Valves RSV

Nominal diameter from 6 mm to 54 mm



Suitability for Industry-Specific Applications



Non-return valves RSV

Applications

- Non-return valve for maintaining the vacuum in the case of a power failure or a failure of the vacuum generator
- Can also be used with energy-saving systems when handling non-porous materials
- May be installed in any orientation

Design

- Spring-loaded seat valve
- Brass body (RSV 6, which is made of aluminum)
- Seat made of synthetic rubber, gasket made of nylon
- Stainless-steel spring

Our Highlights...

- Seat-type non-return valve
- Wide range of nominal diameters
- Very small size

Your Benefits...

- > Closure of the vacuum line in order to maintain the system vacuum in the case, for example, of a power failure
- > Very low to very high nominal flow rates possible
- > Also suitable for use in restricted spaces



Designation Code Non-Return Valves RSV

Abbreviated designation	Nominal size in mm	Connection thread
Example RSV 6 G1/4-IG:		
RSV	6	G1/4-IG
RSV	6 to 54	G1/4-IG (IG = female (F)) G3/8-IG G1/2-IG G3/4-IG G1-IG G1-1/4-IG G1-1/2-IG G2-IG



Ordering Data Non-Return Valves RSV

Non-return valve RSV is delivered as a ready to connect product.

Schmalz - The Company

Vacuum Knowledge

Vacuum Suction Pads

Special Grippers

Mounting Elements

Vacuum Generators

Valve Technology

Switches and Monitoring

Filters and Connections

Vacuum Gripping Systems

Services

Contact

Index of Products



Non-Return Valves



Non-Return Valves RSV

Nominal diameter from 6 mm to 54 mm

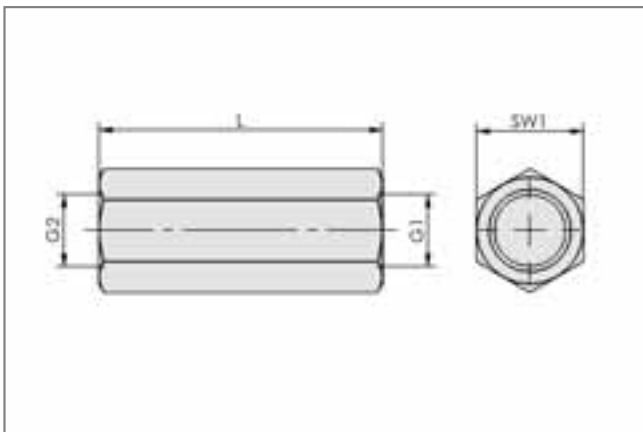
Non-Return Valves RSV

Type	Part Number
RSV 6 G1/4-IG	10.05.05.00001
RSV 14 G3/8-IG	10.05.05.00002
RSV 18 G1/2-IG	10.05.05.00003
RSV 20 G3/4-IG	10.05.05.00004
RSV 28 G1-IG	10.05.05.00005
RSV 36 G1-1/4-IG	10.05.05.00006
RSV 42 G1-1/2-IG	10.05.05.00007
RSV 54 G2-IG	10.05.05.00008

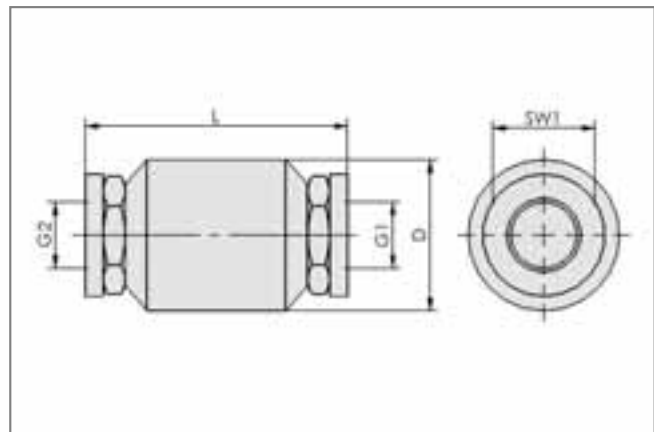
Technical Data Non-Return Valves RSV

Type	Nominal size [mm]	Nominal flow rate [m³/h]	Nominal flow rate [l/min]	Opening pressure [mbar]	Weight [kg]
RSV 6 G1/4-IG	6	5	83	20	0.02
RSV 14 G3/8-IG	14	20	333	20	0.18
RSV 18 G1/2-IG	18	26	433	20	0.19
RSV 20 G3/4-IG	20	45	750	20	0.27
RSV 28 G1-IG	28	75	1250	20	0.49
RSV 36 G1-1/4-IG	36	125	2083	20	0.74
RSV 42 G1-1/2-IG	42	200	3333	20	0.98
RSV 54 G2-IG	54	350	5833	20	1.10

Design Data Non-Return Valves RSV



RSV 6



RSV 14 to 54

Type	Dimensions in mm					
	D	G1	G2	L	SW1	
RSV 6 G1/4-IG	-	G1/4"-F	G1/4"-F	45	17	
RSV 14 G3/8-IG	34	G3/8"-F	G3/8"-F	59	23	
RSV 18 G1/2-IG	34	G1/2"-F	G1/2"-F	62	27	
RSV 20 G3/4-IG	41	G3/4"-F	G3/4"-F	69	33	
RSV 28 G1-IG	52	G1"-F	G1"-F	84	40	
RSV 36 G1-1/4-IG	63	G1-1/4"-F	G1-1/4"-F	88	50	
RSV 42 G1-1/2-IG	71	G1-1/2"-F	G1-1/2"-F	96	50	
RSV 54 G2-IG	87	G2"-F	G2"-F	100	70	

Schmalz - The Company
 Vacuum Knowledge
 Vacuum Suction Pads
 Special Grippers
 Mounting Elements
 Vacuum Generators
 Valve Technology
 Switches and Monitoring
 Filters and Connections
 Vacuum Gripping Systems
 Services
 Contact
 Index of Products

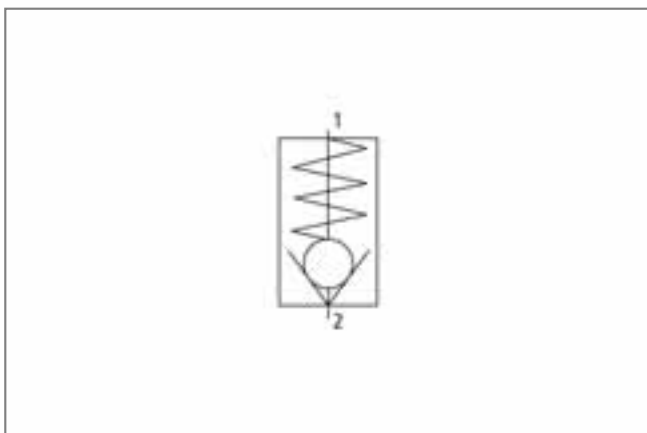
Non-Return Valves



Non-Return Valves RSV

Nominal diameter from 6 mm to 54 mm

Functional Circuit Diagram Non-Return Valves RSV



Circuit diagram RSV (1 = vacuum generator; 2 = suction pad)

Schmalz - The Company
Vacuum Knowledge
Vacuum Suction Pads
Special Grippers
Mounting Elements
Vacuum Generators
Valve Technology
Switches and Monitoring
Filters and Connections
Vacuum Gripping Systems
Services
Contact
Index of Products

