

# 2 x 3/2 Way Valves Series S10

G1/8  
and  
Push-In Connections  
OD 6 mm

**Actuation systems:**  
– Pneumatic  
– Electrical pilot actuated

**Versions:**  
– 2x normally closed  
– 2x normally open  
– 1x normally closed and  
  1x normally open  
– With external pilot air

**Accessories:**  
– Adapter plate for direct  
  mounting on  
  HOERBIGER-ORIGA  
  profile-type cylinders  
– Mounting bracket

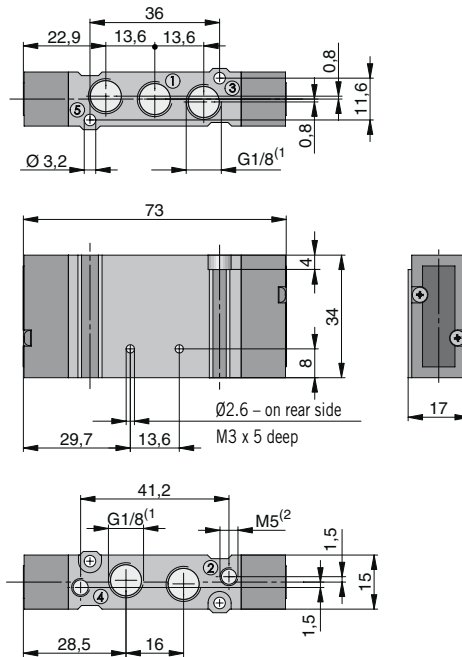
For further information see  
page 41, 42



## Weight (mass) kg

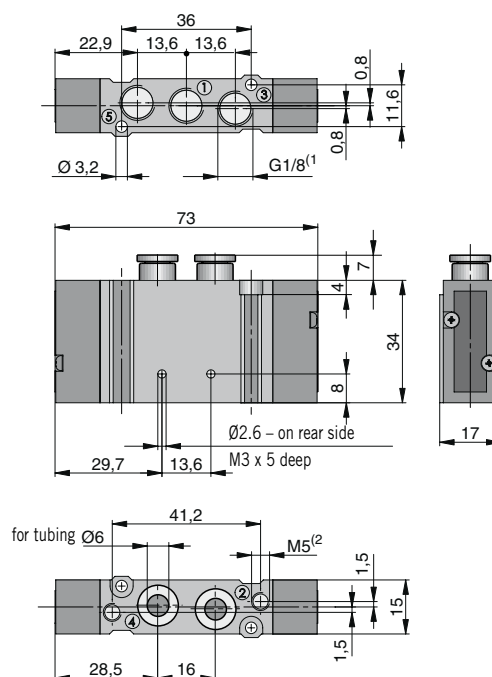
Description	Type	Weight (mass)
Pneumatic, by permanent signal	S10 361R..-1/8	0.063 kg
Electrical, by permanent signal	S10 381R..-1/8	0.089 kg
Pneumatic, by permanent signal	S10 361R..-Q6	0.070 kg
Electrical, by permanent signal	S10 381R..-Q6	0.097 kg

## 2 x 3/2 Way Valve, pneumatically actuated – threaded version Type: S10 361..-1/8



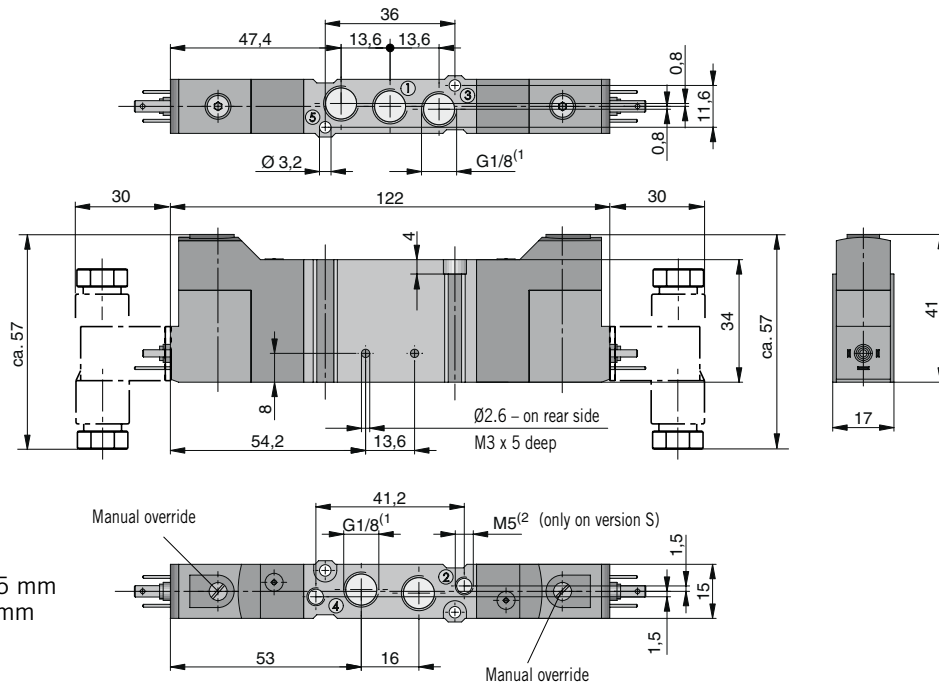
(1) thread depth 7.5 mm  
(2) thread depth 5 mm

## 2x 3/2 Way Valve, pneumatically actuated – version with push-in connection Type: S10 361..-Q6

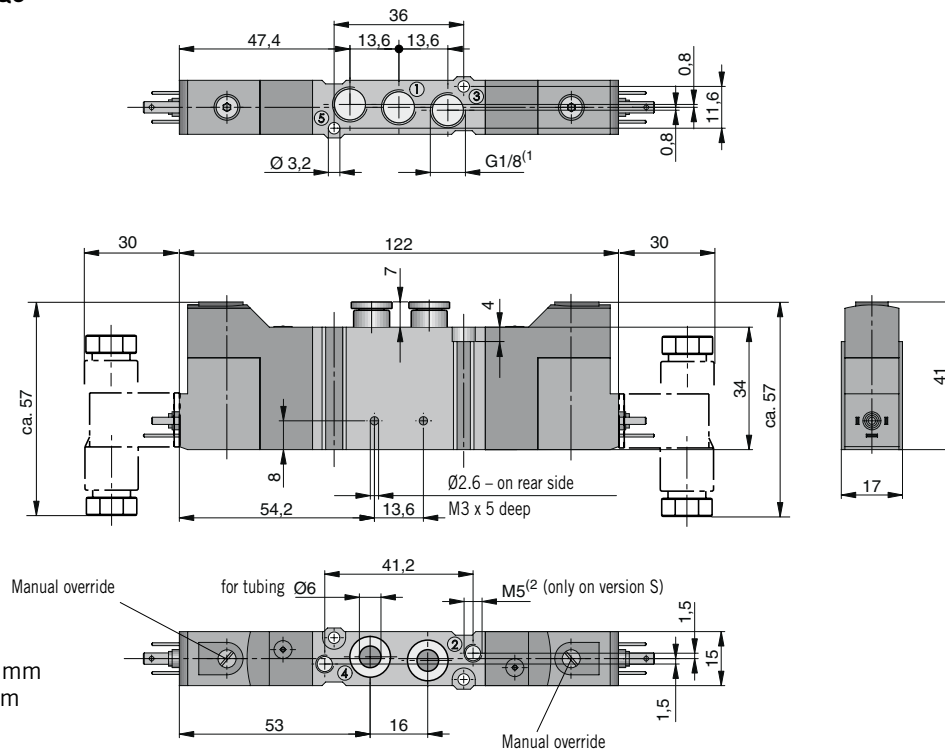


(1) thread depth 7.5 mm  
(2) thread depth 5 mm

**2 x 3/2 Way Valve, electrically actuated (permanent signal) – threaded version**  
**Type: S10 381R..-1/8**



**2 x 3/2 Way Valve, electrically actuated (permanent signal) – version with push-in connections**  
**Type: S10 381R..-Q6**



For valve manifolds see page 32-34, for RPS manifolds see page 38, for mounting bracket see page 41, for adapter plate see page 41

Dimensions in mm

# 2 x 3/2 Way Valves Series S10

G1/4  
and Push-In  
Connections  
OD 8 mm

**Actuation systems:**  
– Pneumatic  
– Electrical pilot operated

**Versions:**  
– 2x normally closed  
– 2x normally open  
– 1x normally closed and  
1x normally open  
– With external pilot air

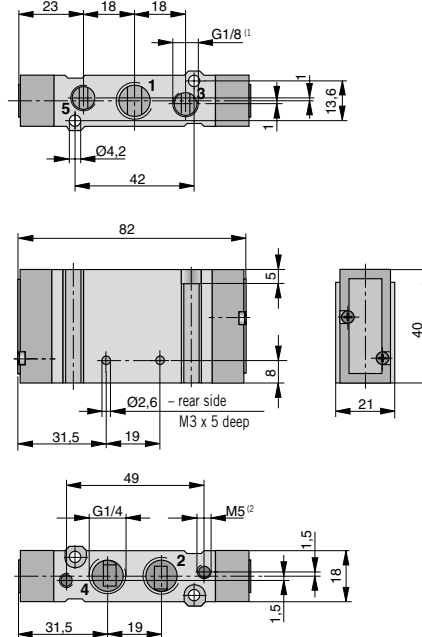
**Accessories:**  
– Adapter plate for direct  
mounting on  
Parker -ORIGA  
profile-type cylinders  
– Mounting brackets

For further information see  
page 41, 42

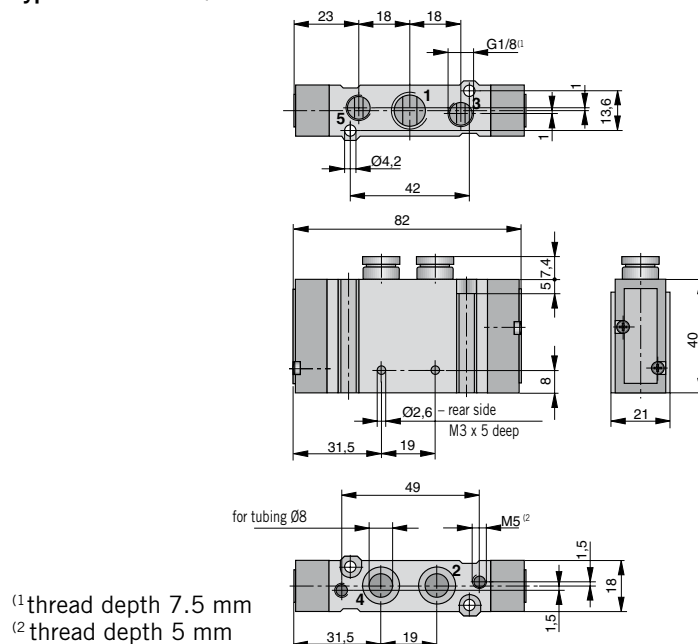
## Weight (mass) kg

Description	Type	Gew. (mass)
Pneumatic, by permanent signal	S10 361R..-1/4	0.094 kg
Electrical, by permanent signal	S10 381R..-1/4	0.123 kg
Pneumatic, by permanent signal	S10 361R..-Q8	0.116 kg
Electrical, by permanent signal	S10 381R..-Q8	0.147 kg

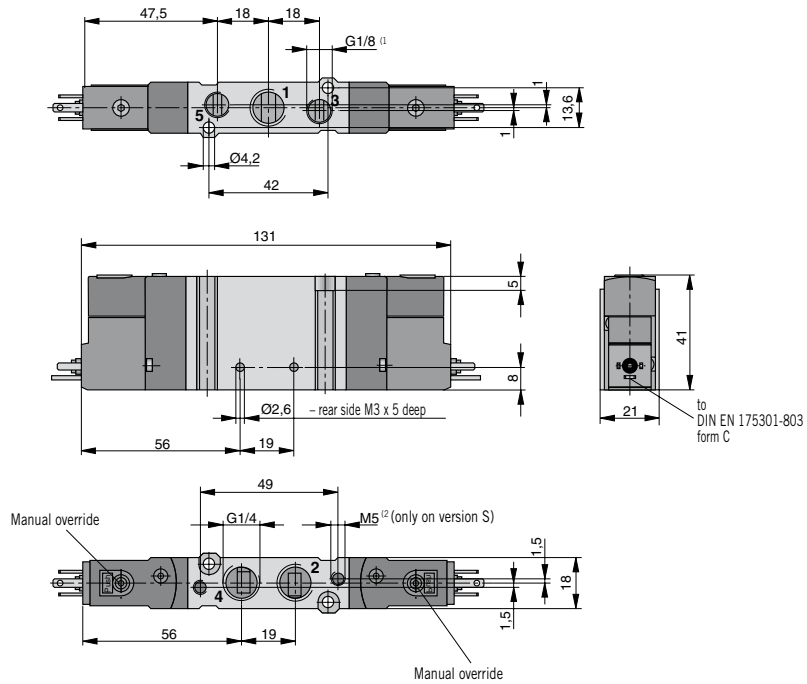
## 2 x 3/2 Way Valve, pneumatically actuated – threaded version Type: S10 361..-1/4



## 2 x 3/2 Way Valve, pneumatically actuated – version with push-in connections Type: S10 361..-Q8

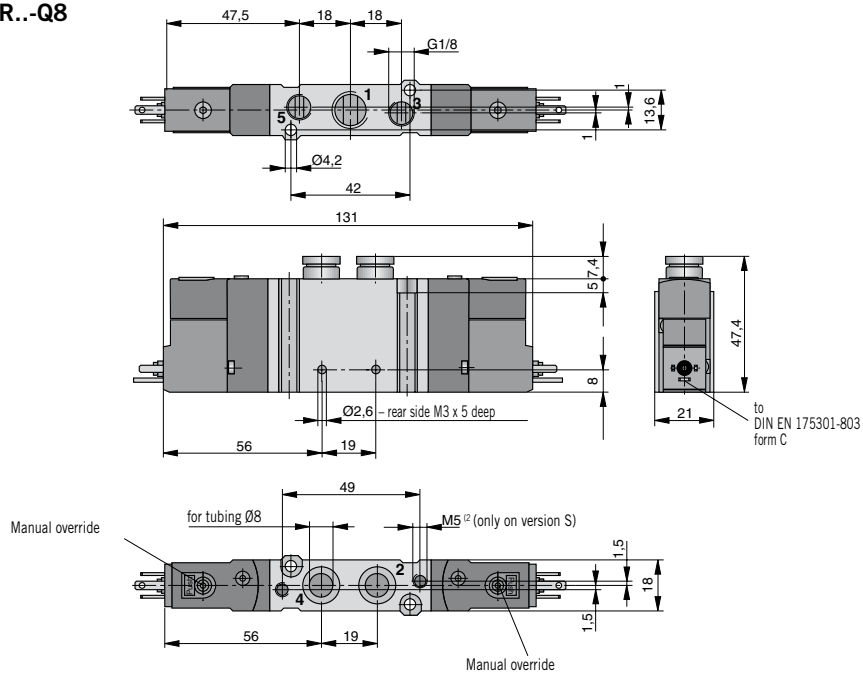


**2 x 3/2 Way Valve, electrically actuated (permanent signal) – threaded version**  
**Type: S10 381R..-1/4**



**2 x 3/2 Way Valve, electrically actuated (permanent signal) – version with push-in connections**

**Type: S10 381R..-Q8**



<sup>1</sup> thread depth 7.5 mm  
<sup>2</sup> thread depth 5 mm

For RPS manifolds see page Page 39, for mounting bracket see page 41, for adapter plate see page 41

Dimensions in mm

## Order Instructions – 2 x 3/2 Way Valves, Series S10..-1/8, S10..-1/4, S10..-Q6, S10..-Q8

Actuation System	Symbol	Connections		Order Instructions		Page
		Thread	Push-In	Type	Order No.	
Pneumatic by permanent signal		G1/8	–	S10 361R2G-1/8	PA 10417	18
		–	ODØ 6mm	S10 361R2G-Q6	PA 10447	18
		G1/4	–	S10 361R2G-1/4	PA 10537	22
		–	ODØ 8mm	S10 361R2G-Q8	PA 10567	23
		G1/8	–	S10 361R20-1/8	PA 10418	18
		–	ODØ 6mm	S10 361R20-Q6	PA 10448	18
		G1/4	–	S10 361R20-1/4	PA 10538	22
		–	ODØ 8mm	S10 361R20-Q8	PA 10568	23
		G1/8	–	S10 361RGO-1/8	PA 10419	20
		–	ODØ 6mm	S10 361RGO-Q6	PA 10449	18
		G1/4	–	S10 361RGO-1/4	PA 10539	22
		–	ODØ 8mm	S10 361RGO-Q8	PA 10569	23
Electrical by permanent signal		G1/8	–	S10 381R2G-1/8-□33-□	PA 10404-□33-□	19
		–	ODØ 6mm	S10 381R2G-Q6-□33-□	PA 10434-□33-□	19
		G1/4	–	S10 381R2G-1/4-□33-□	PA 10524-□33-□	21
		–	ODØ 8mm	S10 381R2G-Q8-□33-□	PA 10554-□33-□	21
		G1/8	–	S10 381R20-1/8-□33-□	PA 10406-□33-□	19
		–	ODØ 6mm	S10 381R20-Q6-□33-□	PA 10436-□33-□	19
		G1/4	–	S10 381R20-1/4-□33-□	PA 10526-□33-□	21
		–	ODØ 6mm	S10 381R20-Q8-□33-□	PA 10556-□33-□	21
		G1/8	–	S10 381RGO-1/8-□33-□	PA 10408-□33-□	19
		–	ODØ 6mm	S10 381RGO-Q6-□33-□	PA 10438-□33-□	19
		G1/4	–	S10 381RGO-1/4-□33-□	PA 10528-□33-□	21
		–	ODØ 8mm	S10 381RGO-Q8-□33-□	PA 10558-□33-□	21
Electrical by permanent signal with external pilot air		G1/8	–	S10 381S-R2G-1/8-□33-□	PA 10405-□33-□	19
		–	ODØ 6mm	S10 381S-R2G-Q6-□33-□	PA 10435-□33-□	19
		G1/4	–	S10 381S-R2G-1/4-□33-□	PA 10525-□33-□	21
		–	ODØ 8mm	S10 381S-R2G-Q8-□33-□	PA 10555-□33-□	21
		G1/8	–	S10 381S-R20-1/8-□33-□	PA 10407-□33-□	19
		–	ODØ 6mm	S10 381S-R20-Q6-□33-□	PA 10437-□33-□	19
		G1/4	–	S10 381S-R20-1/4-□33-□	PA 10527-□33-□	21
		–	ODØ 8mm	S10 381S-R20-Q8-□33-□	PA 10557-□33-□	21
		G1/8	–	S10 381S-RGO-1/8-□33-□	PA 10409-□33-□	19
		–	ODØ 6mm	S10 381S-RGO-Q6-□33-□	PA 10439-□33-□	19
		G1/4	–	S10 381S-RGO-1/4-□33-□	PA 10529-□33-□	21
		–	ODØ 6mm	S10 381S-RGO-Q8-□33-□	PA 10559-□33-□	21

### Solenoid version/ voltage

– for connector

00 without solenoid

01 12 V DC

02 24 V DC

04 48 V DC

07 110 V DC

50 12 V AC

51 24 V AC

55 48 V AC

57 110 V AC

61 230 V AC

– with cable (length 1m)

41 12 V DC

42 24 V DC

71 12 V AC

72 24 V AC

Other voltages available on request

### Notes on ordering:

All electrically actuated valves are supplied **without** connector as standard.

– **please include this in Order No. or order it separately (see Order Instructions).**

For electrically actuated valves please complete the Type Designation and Order No. with the order codes.

### Example:

3/2 Way Valve, threaded version G1/8, electrically actuated, with spring return, normally closed, voltage 12 V DC, with standard connector

### Order Instructions:

**S10 381R2G-1/8-0133-88**

**PA 10404-0133-88**

### Variants connector

00 without connector \*

88 standard connector  
15mm

89 230 V AC with LED

and protective circuit

92 24 V DC with LED

and protective circuit

\* Standard version

# ARA®

## PNEUMATIK

53-012 Wrocław tel. 71 364 72 82  
ul. Wyciągowa 38 fax 71 364 72 83

www.arapneumatik.pl

