

Compact Ejectors



Compact Ejectors SCP

Suction rate from 37 l/min to 200 l/min



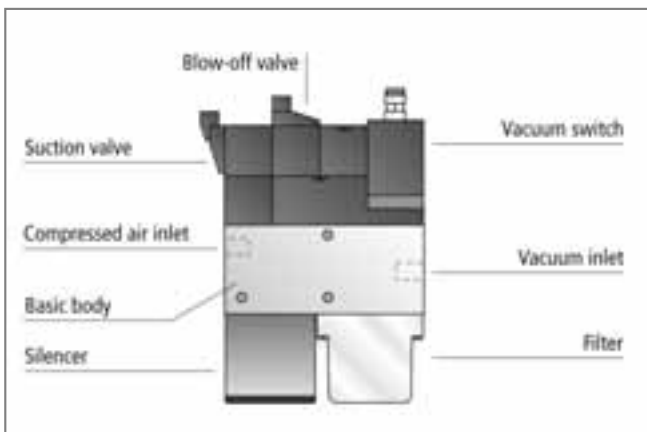
Suitability for Industry-Specific Applications



Compact ejectors SCP

Applications

- Compact ejector for handling of airtight or slightly porous workpieces in the electronics, electrical engineering, packing, robotics and automobile industries



System design compact ejectors SCP

Design

- Basic body made from anodized aluminum
- Suction valve optionally as a normally open (NO) or normally closed (NC) valve
- Blow off valve NC, filter, silencer and non-return valve all integrated
- Optional: electronic vacuum switch, integrated air-saving function, mounting plate for block installation
- Compact ejectors with air-saving function incl. cable



Centralized vacuum generation by means of compact ejectors SCP for handling car body parts

Our Highlights...

- Wide range of nozzle diameters from 1.0 to 3.0 mm
- Versatile modular system
- Air-saving function (optional)
- Digital vacuum monitoring (optional)

Your Benefits...

- > Optimum air consumption thanks to many models with differing suction capacities
- > Flexible adaptation to customer requirements
- > Minimum energy costs in continuous operation
- > Easy adjustment with foil keypad and LED display of the settings possible



Compact Ejectors SCP

Suction rate from 37 l/min to 200 l/min

Designation Code Compact Ejectors SCP

Abbreviated designation	Nozzle size	Idle position suction valve	Blow off- and safety non-return valve	System monitoring
Example SCP 10 NO AS RE:				
SCP	10	NO	AS	RE
SCP	10 = 1.0 mm 15 = 1.5 mm 20 = 2.0 mm 25 = 2.5 mm 30 = 3.0 mm	NC normally closed NO normally open	AS blow off valve with safety non-return valve	RD air saving function with digital vacuum switch RE air saving function with electronic vacuum switch VD digital vacuum switch VE electronic vacuum switch

Ordering Data Compact Ejectors SCP

Compact ejector SCP is delivered as a ready to connect product (without connection cable).

Available spare parts: silencer, filter

Available accessories: connection cable, connection plug

Compact Ejectors SCP

SCP 10...		SCP 15...		SCP 20...	
Type	Part Number	Type	Part Number	Type	Part Number
SCP 10 NO AS	10.02.02.00601	SCP 15 NO AS	10.02.02.00611	SCP 20 NO AS	10.02.02.00621
SCP 10 NC AS	10.02.02.00602	SCP 15 NC AS	10.02.02.00612	SCP 20 NC AS	10.02.02.00622
SCP 10 NO AS VE	10.02.02.00605	SCP 15 NO AS VE	10.02.02.00615	SCP 20 NO AS VE	10.02.02.00625
SCP 10 NC AS VE	10.02.02.00606	SCP 15 NC AS VE	10.02.02.00616	SCP 20 NC AS VE	10.02.02.00626
SCP 10 NO AS VD	10.02.02.00607	SCP 15 NO AS VD	10.02.02.00617	SCP 20 NO AS VD	10.02.02.00627
SCP 10 NC AS VD	10.02.02.00608	SCP 15 NC AS VD	10.02.02.00618	SCP 20 NC AS VD	10.02.02.00628
SCP 10 NO AS RE	10.02.02.00609	SCP 15 NO AS RE	10.02.02.00619	SCP 20 NO AS RE	10.02.02.00629
SCP 10 NO AS RD	10.02.02.00610	SCP 15 NO AS RD	10.02.02.00620	SCP 20 NO AS RD	10.02.02.00630
SCP 10 NC AS RE	10.02.02.00780	SCP 15 NC AS RE	10.02.02.00782	SCP 20 NC AS RE	10.02.02.00784
SCP 10 NC AS RD	10.02.02.00781	SCP 15 NC AS RD	10.02.02.00783	SCP 20 NC AS RD	10.02.02.00785

SCP 25...		SCP 30...	
Type	Part Number	Type	Part Number
SCP 25 NO AS	10.02.02.00631	SCP 30 NO AS	10.02.02.00641
SCP 25 NC AS	10.02.02.00632	SCP 30 NC AS	10.02.02.00642
SCP 25 NO AS VE	10.02.02.00635	SCP 30 NO AS VE	10.02.02.00645
SCP 25 NC AS VE	10.02.02.00636	SCP 30 NC AS VE	10.02.02.00646
SCP 25 NO AS VD	10.02.02.00637	SCP 30 NO AS VD	10.02.02.00647
SCP 25 NC AS VD	10.02.02.00638	SCP 30 NC AS VD	10.02.02.00648
SCP 25 NO AS RE	10.02.02.00639	SCP 30 NO AS RE	10.02.02.00649
SCP 25 NO AS RD	10.02.02.00640	SCP 30 NO AS RD	10.02.02.00650
SCP 25 NC AS RE	10.02.02.00786	SCP 30 NC AS RE	10.02.02.00788
SCP 25 NC AS RD	10.02.02.00787	SCP 30 NC AS RD	10.02.02.00789

Compact Ejectors SCP

Suction rate from 37 l/min to 200 l/min

Ordering Data Spare Parts and Accessories Compact Ejectors SCP

Type	Connection plug for solenoid valves* with cable (3 m, PVC)	Connection cable for vacuum switch (5 m, straight, PUR)	Connection cable for vacuum switch (5 m, 90°, PUR)	Replacement silencer	Replacement filter element
SCP 10 NO/NC AS	21.04.06.00086	-	-	10.02.02.00653	10.02.02.00655
SCP 10 NO/NC AS V...	21.04.06.00086	10.06.02.00031	10.06.02.00032	10.02.02.00653	10.02.02.00655
SCP 10 NO/NC AS R...	-	-	-	10.02.02.00653	10.02.02.00655
SCP 15 NO/NC AS	21.04.06.00086	-	-	10.02.02.00653	10.02.02.00655
SCP 15 NO/NC AS V...	21.04.06.00086	10.06.02.00031	10.06.02.00032	10.02.02.00653	10.02.02.00655
SCP 15 NO/NC AS R...	-	-	-	10.02.02.00653	10.02.02.00655

*Order 2 x per ejector. In the case of regulated compact ejectors, the cable set is included with the ejector

Ordering Data Spare Parts and Accessories Compact Ejectors SCP

Type	Connection plug for solenoid valves* with cable (5 m, PVC)	Connection plug for solenoid valves* with cable (10 m, PUR)	Connection plug for solenoid valves* without cable	Connection cable for vacuum switch (5 m, straight, PUR)	Connection cable for vacuum switch (5 m, 90°, PUR)	Replacement silencer	Replacement filter element
SCP 20 NO/NC AS	21.04.06.00084	21.04.06.00118	21.04.06.00085	-	-	10.02.02.00651	10.02.02.00654
SCP 20 NO/NC AS V...	21.04.06.00084	21.04.06.00118	21.04.06.00085	10.06.02.00031	10.06.02.00032	10.02.02.00651	10.02.02.00654
SCP 20 NO/NC AS R...	-	-	-	-	-	10.02.02.00651	10.02.02.00654
SCP 25 NO/NC AS	21.04.06.00084	21.04.06.00118	21.04.06.00085	-	-	10.02.02.00652	10.02.02.00654
SCP 25 NO/NC AS V...	21.04.06.00084	21.04.06.00118	21.04.06.00085	10.06.02.00031	10.06.02.00032	10.02.02.00652	10.02.02.00654
SCP 25 NO/NC AS R...	-	-	-	-	-	10.02.02.00652	10.02.02.00654
SCP 30 NO/NC AS	21.04.06.00084	21.04.06.00118	21.04.06.00085	-	-	10.02.02.00652	10.02.02.00654
SCP 30 NO/NC AS V...	21.04.06.00084	21.04.06.00118	21.04.06.00085	10.06.02.00031	10.06.02.00032	10.02.02.00652	10.02.02.00654
SCP 30 NO/NC AS R...	-	-	-	-	-	10.02.02.00652	10.02.02.00654

*Order 2 x per ejector. In the case of regulated compact ejectors, the cable set is included with the ejector

Technical Data Compact Ejectors SCP

Type	Nozzle-Ø [mm]	Degree of evacuation [%]	Max. suction rate [l/min]	Max. suction rate [m³/h]	Air consumpt. during evac. [l/min]*	Air consumpt. during evac. [m³/h]*	Max. air consumption blow off [l/min]
SCP 10...	1.0	85	37	2.2	53	3.2	200
SCP 15...	1.5	85	65	3.9	117	7.0	200
SCP 20...	2.0	85	116	7.0	190	11.4	200
SCP 25...	2.5	85	161	9.7	310	18.6	200
SCP 30...	3.0	85	200	12.0	420	25.2	200

!The supply voltage for vacuum switches and solenoid valves is 24V DC

*At optimal operating pressure

**For max. length 2 m

Type	Noise level workp. gripped [dB]	Noise level free [dB]	Operating pressure [bar]	Recomm. int. hose diameter compr. air [mm]**	Recomm. int. hose diameter vacuum [mm]**	Weight [g]	Operating temperature [°C]
SCP 10...	66	68	5	2	4	275	0...45
SCP 15...	68	68	5	4	6	275	0...45
SCP 20...	76	78	5...6	4	9	465	0...45
SCP 25...	72	82	5...6	6	9	485	0...45
SCP 30...	82	82	5...6	9	11	485	0...45

!The supply voltage for vacuum switches and solenoid valves is 24V DC

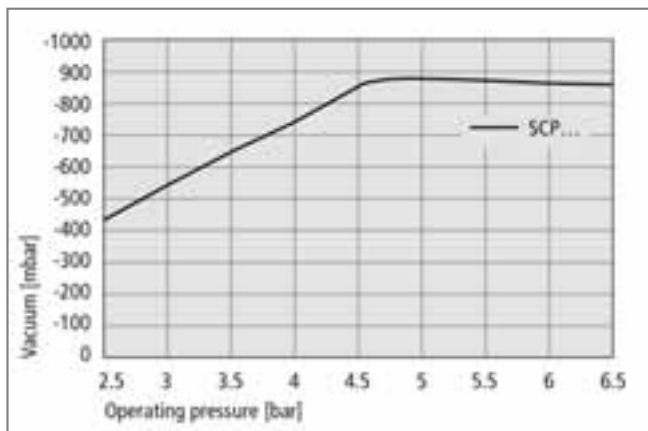
*At optimal operating pressure

**For max. length 2 m

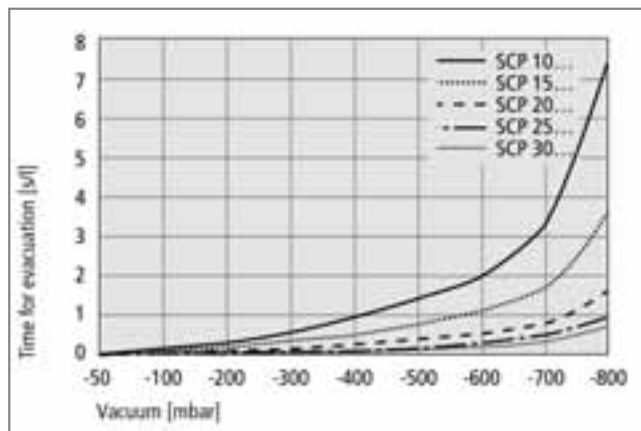
Compact Ejectors SCP

Suction rate from 37 l/min to 200 l/min

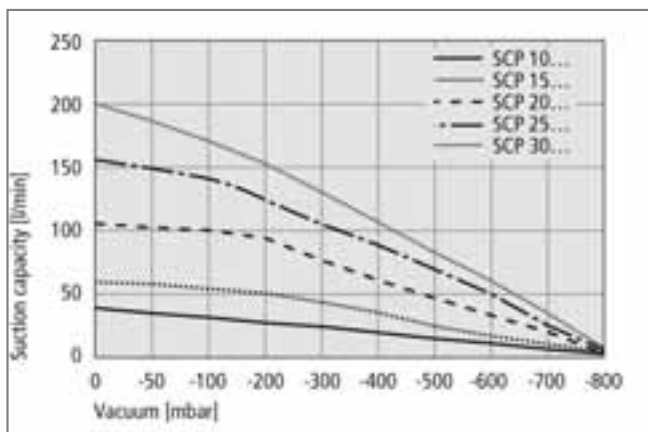
Performance Data Compact Ejectors SCP



Achievable vacuum at various operating pressures



Evacuation times for various vacuum ranges



Suction capacity at various degrees of evacuation

Suction Capacity in l/min at Various Degrees of Evacuation

Type	Degree of evacuation in mbar									
	0	-50	-100	-200	-300	-400	-500	-600	-700	-800
SCP 10...	37.0	35.4	33.2	28.8	24.0	19.4	16.0	11.2	6.0	1.4
SCP 15...	65.0	62.0	58.0	50.0	41.0	32.0	21.0	16.0	9.0	4.0
SCP 20...	116.0	108.0	101.0	90.0	78.0	63.0	48.0	36.0	18.0	5.0
SCP 25...	161.0	149.0	136.0	123.0	107.0	86.0	66.0	49.0	25.0	7.0
SCP 30...	200.0	184.0	168.0	153.0	132.0	107.0	82.0	61.0	31.0	9.0

Evacuation Time in s/l for Various Vacuum Ranges

Type	Degree of evacuation in mbar									
	-50	-100	-200	-300	-400	-500	-600	-700	-800	
SCP-FS 10...	0.087	0.162	0.341	0.591	0.959	1.419	2.035	3.304	7.300	
SCP-FS 15...	0.048	0.088	0.184	0.311	0.480	0.744	1.120	1.692	3.606	
SCP-FS 20...	0.026	0.047	0.095	0.159	0.239	0.349	0.499	0.807	1.652	
SCP-FS 25...	0.015	0.027	0.055	0.089	0.135	0.198	0.288	0.486	0.960	
SCP-FS 30...	0.012	0.021	0.044	0.071	0.108	0.160	0.232	0.392	0.810	

Compact Ejectors

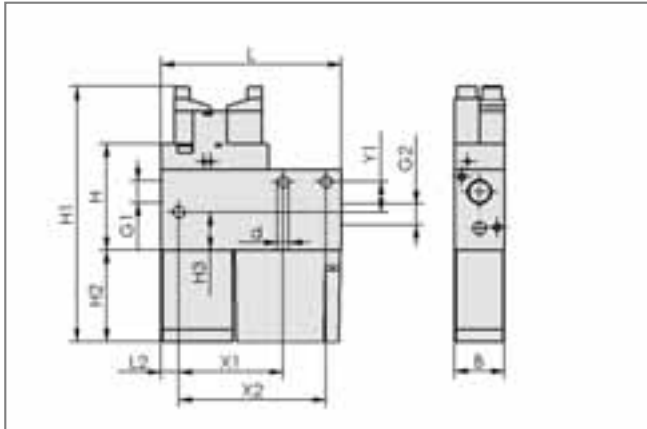


Compact Ejectors SCP

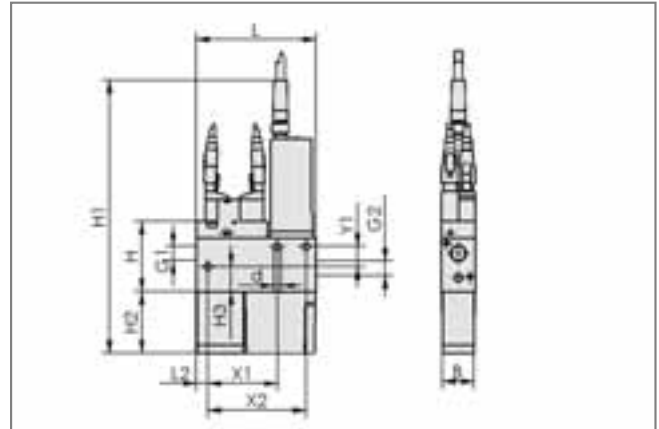
Suction rate from 37 l/min to 200 l/min



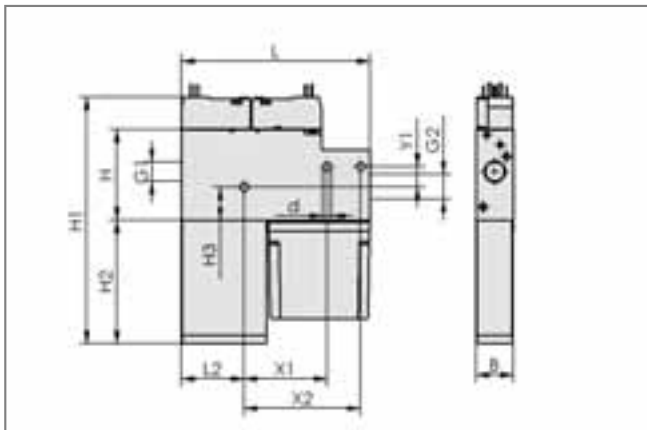
Design Data Compact Ejectors SCP



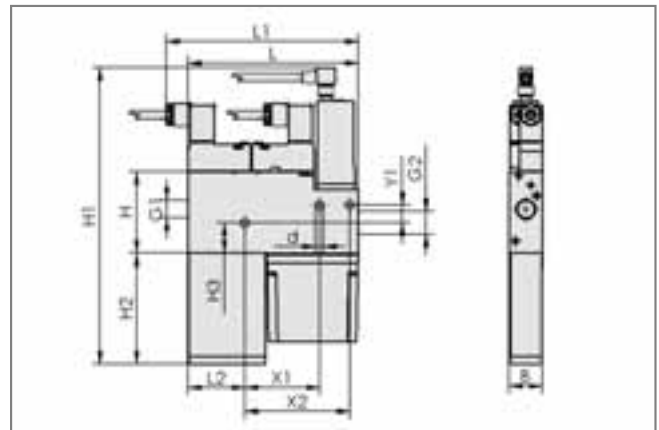
SCP 10 to 15 NC/NO AS



SCP 10 to 15 NC/NO AS V.../ R...



SCP 20 to 30 NC/NO AS



SCP 20 to 30 NC/NO AS



Design Data Compact Ejectors SCP

Type	Dimensions in mm													
	B	d	G1	G2	H	H1	H2	H3	L	L1	L2	X1	X2	Y1
SCP 10 NC/NO AS	20.2	4.5	G1/8"-F	G1/8"-F	42.2	105.0	36.5	15.0	71.5	-	7.0	41.5	58.5	12
SCP 15 NC/NO AS	20.2	4.5	G1/8"-F	G1/8"-F	42.2	105.0	36.5	15.0	71.5	-	7.0	41.5	58.5	12
SCP 20 NC/NO AS	22.0	5.5	G1/4"-F	G3/8"-F	54.0	132.5	58.5	20.1	112.5	-	37.5	49.5	69.5	12
SCP 25 NC/NO AS	22.0	5.5	G1/4"-F	G3/8"-F	54.0	147.5	73.5	20.1	112.5	-	37.5	49.5	69.5	12
SCP 30 NC/NO AS	22.0	5.5	G1/4"-F	G3/8"-F	54.0	147.5	73.5	20.1	112.5	-	37.5	49.5	69.5	12
SCP 10 NC/NO AS VE/RE	20.2	4.5	G1/8"-F	G1/8"-F	42.2	147.5	36.5	15.0	71.5	-	7.0	41.5	58.5	12
SCP 15 NC/NO AS VE/RE	20.2	4.5	G1/8"-F	G1/8"-F	42.2	147.5	36.5	15.0	71.5	-	7.0	41.5	58.5	12
SCP 20 NC/NO AS VE/RE	22.0	5.5	G1/4"-F	G3/8"-F	54.0	167.0	58.5	20.1	112.5	127	37.5	49.5	69.5	12
SCP 25 NC/NO AS VE/RE	22.0	5.5	G1/4"-F	G3/8"-F	54.0	182.0	73.5	20.1	112.5	127	37.5	49.5	69.5	12
SCP 30 NC/NO AS VE/RE	22.0	5.5	G1/4"-F	G3/8"-F	54.0	182.0	73.5	20.1	112.5	127	37.5	49.5	69.5	12
SCP 10 NC/NO AS VD/RD	20.2	4.5	G1/8"-F	G1/8"-F	42.2	162.0	36.5	15.0	71.5	-	7.0	41.5	58.5	12
SCP 15 NC/NO AS VD/RD	20.2	4.5	G1/8"-F	G1/8"-F	42.2	162.0	36.5	15.0	71.5	-	7.0	41.5	58.5	12
SCP 20 NC/NO AS VD/RD	22.0	5.5	G1/4"-F	G3/8"-F	54.0	181.5	58.5	20.1	112.5	127	37.5	49.5	69.5	12
SCP 25 NC/NO AS VD/RD	22.0	5.5	G1/4"-F	G3/8"-F	54.0	196.5	73.5	20.1	112.5	127	37.5	49.5	69.5	12
SCP 30 NC/NO AS VD/RD	22.0	5.5	G1/4"-F	G3/8"-F	54.0	196.5	73.5	20.1	112.5	127	37.5	49.5	69.5	12

Compact Ejectors



Compact Ejectors SCP-FS

Suction rate from 37 l/min to 200 l/min



Suitability for Industry-Specific Applications



Compact ejectors SCP-FS

Applications

- Compact ejector for handling of airtight or slightly porous work-pieces
- For use in the automobile, packaging and robotics industries

Design

- Anodized aluminum body with ejector nozzle, filter, silencer, non-return valve and power function
- Optional vacuum switch for system monitoring
- Control plate with threaded connections for control of the functions "grip" and "blow-off" by means of external compressed-air pulses

Our Highlights...

- Externally controlled compact ejector
- High suction and blow-off capacity
- Wide range of performance values
- Optional vacuum monitoring

Your Benefits...

- > Optimum integration into field-bus systems
- > Fast evacuation and blowing off reduce the cycle times
- > Optimum range of models with different performance figures for adaptation to the intended task
- > Increased process safety

Designation Code Compact Ejectors SCP-FS

Abbreviated designation	Nozzle size	Actuation	System monitoring
Example SCP 10 FS VE:			
SCP	10	FS	VE
SCP	10 = 1.0 mm 15 = 1.5 mm 20 = 2.0 mm 25 = 2.5 mm 30 = 3.0 mm	FS external control with pneumatic pulse	RP air saving function with pneumatic vacuum switch VD digital vacuum switch VE elektronick vacuum switch

Ordering Data Compact Ejectors SCP-FS

Compact ejector SCP-FS is delivered as a ready to connect product.

Schmalz - The Company
Vacuum Knowledge
Vacuum Suction Pads
Special Grippers
Mounting Elements
Vacuum Generators
Valve Technology
Switches and Monitoring
Filters and Connections
Vacuum Gripping Systems
Services
Contact
Index of Products

Compact Ejectors



Compact Ejectors SCP-FS

Suction rate from 37 l/min to 200 l/min

Compact Ejectors SCP-FS

SCP 10 FS		SCP 15 FS		SCP 20 FS	
Type	Part Number	Type	Part Number	Type	Part Number
SCP 10 FS	10.02.02.00893	SCP 15 FS	10.02.02.00897	SCP 20 FS	10.02.02.00873
SCP 10 FS VE	10.02.02.00895	SCP 15 FS VE	10.02.02.00899	SCP 20 FS VE	10.02.02.00902
SCP 10 FS VD	10.02.02.00896	SCP 15 FS VD	10.02.02.00900	SCP 20 FS VD	10.02.02.00903
				SCP 20 FS RP	10.02.02.01623

SCP 25 FS		SCP 30 FS	
Type	Part Number	Type	Part Number
SCP 25 FS	10.02.02.00904	SCP 30 FS	10.02.02.00908
SCP 25 FS VE	10.02.02.00906	SCP 30 FS VE	10.02.02.00910
SCP 25 FS VD	10.02.02.00907	SCP 30 FS VD	10.02.02.00911
SCP 25 FS RP	10.02.02.01956	SCP 30 FS RP	10.02.02.01643

Technical Data Compact Ejectors SCP-FS

Type	Nozzle-Ø [mm]	Degree of evacuation [%]	Max. suction rate [l/min]	Max. suction rate [m³/h]	Air consumpt. during evac. [l/min]*	Air consumpt. during evac. [m³/h]*	Max. airconsumption blow off [l/min]
SCP 10 FS	1.0	85	37	2.2	53	3.2	200
SCP 15 FS	1.5	85	65	3.9	117	7.0	200
SCP 20 FS	2.0	85	116	7.0	190	11.4	200
SCP 25 FS	2.5	85	161	9.7	310	18.6	200
SCP 30 FS	3.0	85	200	12.0	420	25.2	200

!The supply voltage for vacuum switches and solenoid valves is 24V DC

*At optimal operating pressure

**For max. length 2 m

Type	Noise level workp. gripped [dB]	Noise level free [dB]	Operating pressure [bar]	Recomm. int. hose diameter compr. air [mm]**	Recomm. int. hose diameter vacuum [mm]**	Weight [kg]	Operating temperature [°C]
SCP 10 FS	66	68	5	2	4	0.25	0...45
SCP 15 FS	68	68	5	4	6	0.25	0...45
SCP 20 FS	76	78	5...6	4	9	0.39	0...45
SCP 25 FS	72	82	5...6	6	9	0.41	0...45
SCP 30 FS	82	82	5...6	6	12	0.41	0...45

!The supply voltage for vacuum switches and solenoid valves is 24V DC

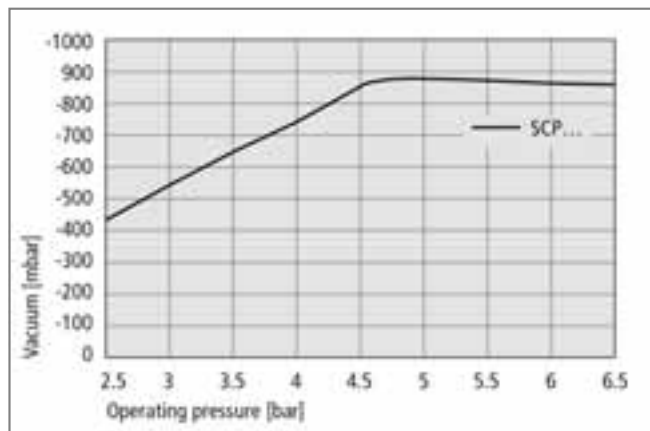
*At optimal operating pressure

**For max. length 2 m

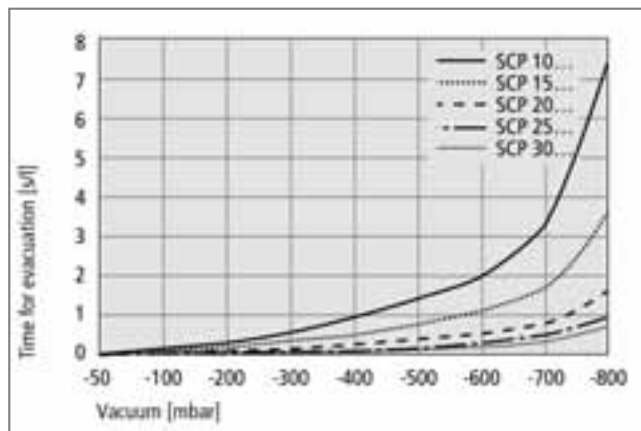
Compact Ejectors SCP-FS

Suction rate from 37 l/min to 200 l/min

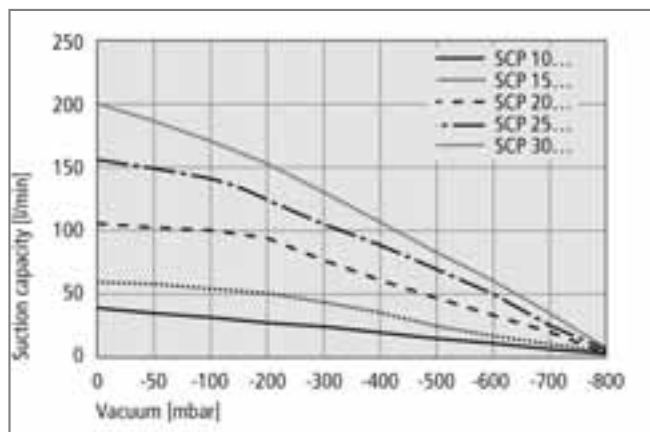
Performance Data Compact Ejectors SCP-FS



Achievable vacuum at various operating pressures



Evacuation times for various vacuum ranges



Suction capacity at various degrees of evacuation

Suction Capacity in l/min at Various Degrees of Evacuation

Type	Degree of evacuation in mbar									
	0	-50	-100	-200	-300	-400	-500	-600	-700	-800
SCP-FS 10...	37.0	35.4	33.2	28.8	24.0	19.4	16.0	11.2	6.0	1.4
SCP-FS 15...	65.0	62.0	58.0	50.0	41.0	32.0	21.0	16.0	9.0	4.0
SCP-FS 20...	116.0	108.0	101.0	90.0	78.0	63.0	48.0	36.0	18.0	5.0
SCP-FS 25...	161.0	149.0	136.0	123.0	107.0	86.0	66.0	49.0	25.0	7.0
SCP-FS 30...	200.0	184.0	168.0	153.0	132.0	107.0	82.0	61.0	31.0	9.0

Evacuation Time in s/l for Various Vacuum Ranges

Type	Degree of evacuation in mbar									
	-50	-100	-200	-300	-400	-500	-600	-700	-800	
SCP-FS 10...	0.087	0.162	0.341	0.591	0.959	1.419	2.035	3.304	7.300	
SCP-FS 15...	0.048	0.088	0.184	0.311	0.480	0.744	1.120	1.692	3.606	
SCP-FS 20...	0.026	0.047	0.095	0.159	0.239	0.349	0.499	0.807	1.652	
SCP-FS 25...	0.015	0.027	0.055	0.089	0.135	0.198	0.288	0.486	0.960	
SCP-FS 30...	0.012	0.021	0.044	0.071	0.108	0.160	0.232	0.392	0.810	

Compact Ejectors

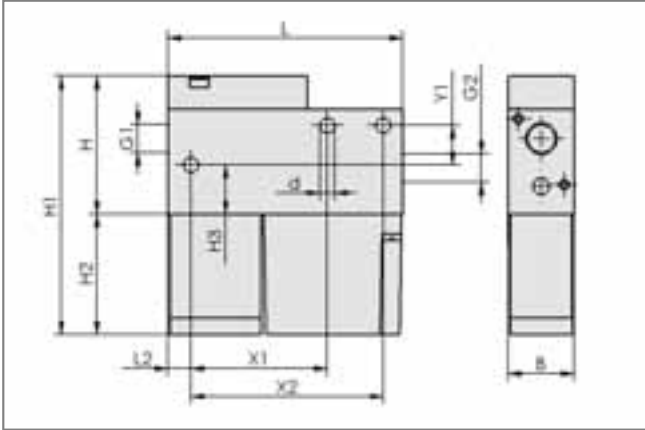


Compact Ejectors SCP-FS

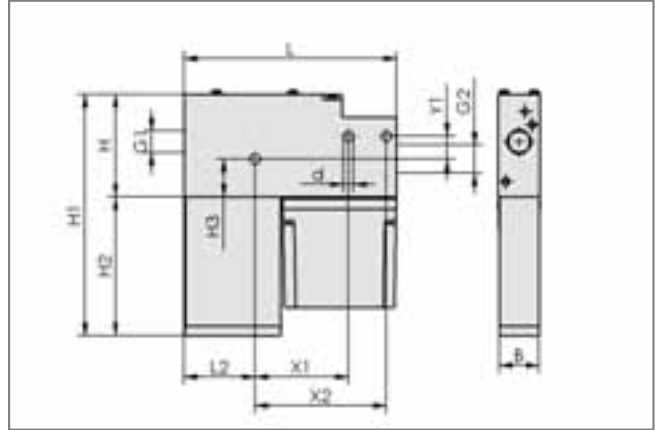
Suction rate from 37 l/min to 200 l/min



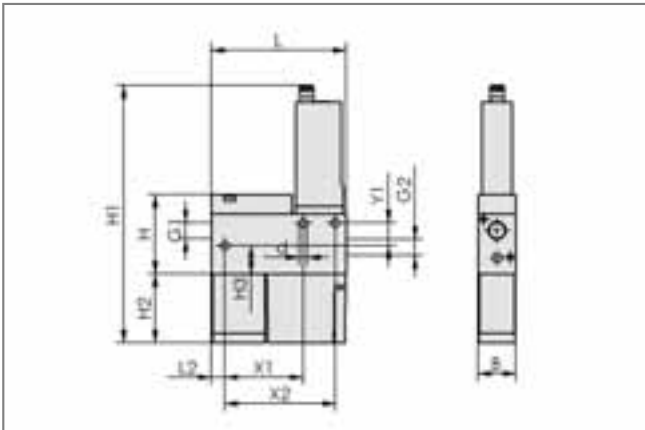
Design Data Compact Ejectors SCP-FS



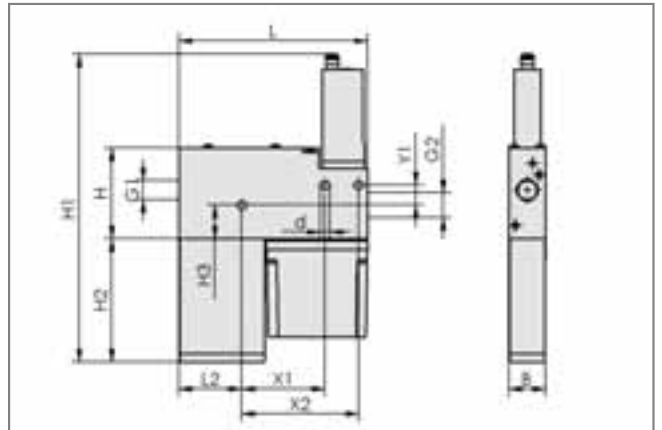
SCP 10 to 15 FS



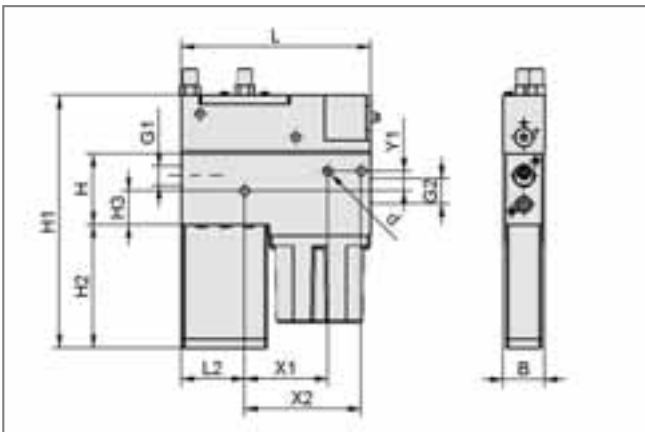
SCP 20 to 30 FS



SCP 10 to 15 FS V...



SCP 20 to 30 FS V...



SCP-FS 20 to 30 RP

Schmalz -
The Company

Vacuum
Knowledge

Vacuum
Suction Pads

Special
Grippers

Mounting
Elements

**Vacuum
Generators**

Valve
Technology

Switches and
Monitoring

Filters and
Connections

Vacuum Grip-
ping Systems

Services

Contact

Index
of Products

Compact Ejectors



Compact Ejectors SCP-FS

Suction rate from 37 l/min to 200 l/min



Design Data Compact Ejectors SCP-FS

Type	Dimensions in mm												
	B	d	G1	G2	H	H1	H2	H3	L	L2	X1	X2	Y1
SCP 10 FS	20.2	4.5	G1/8"-F	G1/8"-F	42.5	79.0	36.5	15.0	71.5	7.0	41.5	58.5	12.0
SCP 15 FS	20.2	4.5	G1/8"-F	G1/8"-F	42.5	79.0	36.5	15.0	71.5	7.0	41.5	58.5	12.0
SCP 20 FS	22.0	5.5	G1/4"-F	G3/8"-F	54.0	112.5	58.5	20.1	112.5	37.5	49.5	69.5	12.0
SCP 25 FS	22.0	5.5	G1/4"-F	G3/8"-F	54.0	127.5	73.5	20.1	112.5	37.5	49.5	69.5	12.0
SCP 30 FS	22.0	5.5	G1/4"-F	G3/8"-F	54.0	127.5	73.5	20.1	112.5	37.5	49.5	69.5	12.0
SCP 10 FS VE	20.2	4.5	G1/8"-F	G1/8"-F	42.5	126.5	36.5	15.0	71.5	7.0	41.5	58.5	12.0
SCP 15 FS VE	20.2	4.5	G1/8"-F	G1/8"-F	42.5	126.5	36.5	15.0	71.5	7.0	41.5	58.5	12.0
SCP 20 FS VE	22.0	5.5	G1/4"-F	G3/8"-F	54.0	158.6	58.5	20.1	112.5	37.5	49.5	69.5	12.0
SCP 25 FS VE	22.0	5.5	G1/4"-F	G3/8"-F	54.0	173.6	73.5	20.1	112.5	37.5	49.5	69.5	12.0
SCP 30 FS VE	22.0	5.5	G1/4"-F	G3/8"-F	54.0	173.6	73.5	20.1	112.5	37.5	49.5	69.5	12.0
SCP 10 FS VD	20.2	4.5	G1/8"-F	G1/8"-F	42.5	136.5	36.5	15.0	71.5	7.0	41.5	58.5	12.0
SCP 15 FS VD	20.2	4.5	G1/8"-F	G1/8"-F	42.5	136.5	36.5	15.0	71.5	7.0	41.5	58.5	12.0
SCP 20 FS VD	22.0	5.5	G1/4"-F	G3/8"-F	54.0	168.5	58.5	20.1	112.5	37.5	49.5	69.5	12.0
SCP 25 FS VD	22.0	5.5	G1/4"-F	G3/8"-F	54.0	183.5	73.5	20.1	112.5	37.5	49.5	69.5	12.0
SCP 30 FS VD	22.0	5.5	G1/4"-F	G3/8"-F	54.0	183.5	73.5	20.1	112.5	37.5	49.5	69.5	12.0
SCP 20 FS RP	25.0	5.5	G1/4"-F	G3/8"-F	77.0	150.5	73.5	20.1	112.5	37.5	49.5	69.5	12.0
SCP 25 FS RP	25.0	5.5	G1/4"-F	G3/8"-F	77.0	150.5	73.5	20.1	112.5	37.5	49.5	69.5	12.0
SCP 30 FS RP	25.0	5.5	G1/4"-F	G3/8"-F	77.0	150.5	73.5	20.1	112.5	37.5	49.5	69.5	12.0

- Schmalz - The Company
- Vacuum Knowledge
- Vacuum Suction Pads
- Special Grippers
- Mounting Elements
- Vacuum Generators**
- Valve Technology
- Switches and Monitoring
- Filters and Connections
- Vacuum Gripping Systems
- Services
- Contact
- Index of Products

Compact Ejectors



SCP-Compressed Air Distributors GP



Suitability for Industry-Specific Applications



SCP-Compressed air distributors GP

Applications

- Compressed air distributor for mounting of compact ejectors in blocks with a single compressed air inlet

Design

- Baseplate made of anodized aluminum for mounting of several compact ejectors
- Central compressed air inlet and extension at any time
- Connections not needed for ejectors can be sealed with blanking plates
- Delivered complete with gaskets and installation material

Our Highlights...

- Baseplate for the construction of blocks of compact ejectors
- Central compressed air inlet

Your Benefits...

- > Space-saving construction of ejector blocks
- > Low installation costs



SCP-Compressed Air Distributors GP

Type	Type*	Part Number
Compressed air connection plate	GP 2 SCP 10..15	10.02.02.00912
Compressed air connection plate	GP 3 SCP 10..15	10.02.02.00913
Compressed air connection plate	GP 4 SCP 10..15	10.02.02.00914
Compressed air connection plate	GP 5 SCP 10..15	10.02.02.00915
Compressed air connection plate	GP 6 SCP 10..15	10.02.02.00916
Ejector blanking plate	EJEK-PL SCP 10..15	10.02.02.00729
Compressed air connection plate	GP 2 SMP(i)15..30/SCP(i)15..30	10.02.02.00917
Compressed air connection plate	GP 3 SMP(i)15..25/SCP(i)15..25	10.02.02.00918
Compressed air connection plate	GP 4 SMP(i)15..20/SCP(i)15..20	10.02.02.00919
Ejector blanking plate	EJEK-PL SMP(i)15..30/SCP(i)20..30	10.02.02.00728

*EJEK-PL = Plate for covering unused connections

Schmalz -
The Company

Vacuum
Knowledge

Vacuum
Suction Pads

Special
Grippers

Mounting
Elements

**Vacuum
Generators**

Valve
Technology

Switches and
Monitoring

Filters and
Connections

Vacuum Grip-
ping Systems

Services

Contact

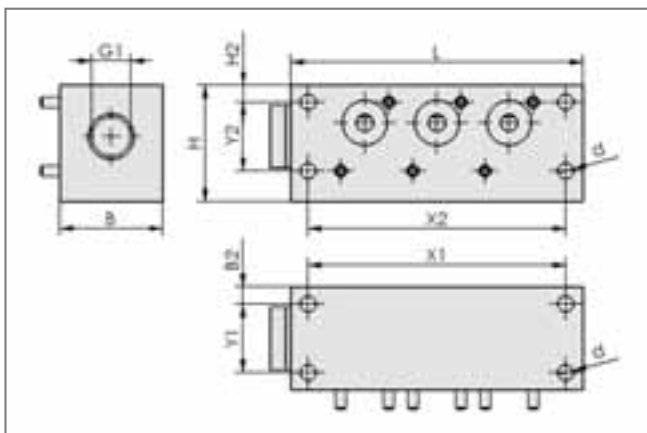
Index
of Products

Compact Ejectors

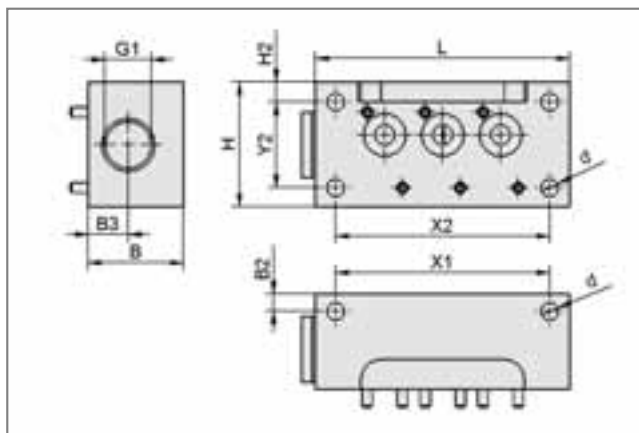
SCP-Compressed Air Distributors GP



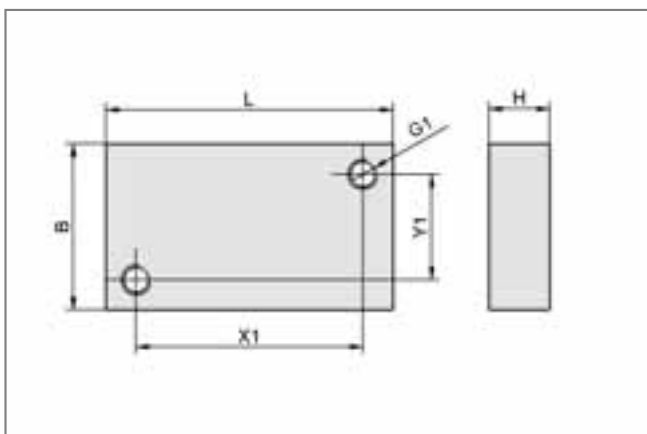
Design Data SCP-Compressed Air Distributors GP



Compressed air manifold GP SCP10..15



Compressed air manifold GP SMP15..30/SCP



Ejector blanking plate EJEK-PL ...

Type	Dimensions in mm												Number of outputs	Weight [g]
	B	d	G1	H	H2	H3	L	X1	X2	Y1	Y2			
GP 2 SCP 10..15	30	4.5	G1/4"-F	34.0	5	-	64	54	54	20	20	2	180	
GP 3 SCP 10..15	30	4.5	G1/4"-F	34.0	5	-	85	75	75	20	20	3	223	
GP 4 SCP 10..15	30	4.5	G1/4"-F	34.0	5	-	106	96	96	20	20	4	281	
GP 5 SCP 10..15	30	4.5	G1/4"-F	34.0	5	-	127	117	117	20	20	5	333	
GP 6 SCP 10..15	30	4.5	G1/4"-F	34.0	5	-	148	138	138	20	20	6	388	
EJEK-PL SCP 10..15	20	-	-	6.0	7	8	26	20	20	-	34	-	9	
GP 2 SMP(i)15..30/SCP(i)15..30	38	7.0	G1/2"-F	49.5	8	-	78	62	62	-	34	2	375	
GP 3 SMP(i)15..25/SCP(i)15..25	38	7.0	G1/2"-F	49.5	8	-	101	85	85	-	34	3	481	
GP 4 SMP(i)15..20/SCP(i)15..20	38	7.0	G1/2"-F	49.5	8	-	124	108	108	-	34	4	595	
EJEK-PL SMP(i)15..30/SCP(i)20..30	22	-	M4-F	8.0	-	-	38	30	-	14	-	-	17	

