



ORIGA Stop Cylinders

ORIGA – simply the first

aerospace
climate control
electromechanical
filtration
fluid & gas handling
hydraulics
pneumatics
process control
sealing & shielding



ENGINEERING YOUR SUCCESS.

Autoryzowany dystrybutor Parker:

ARA
PNEUMATIK

53-012 Wrocław tel. 71 364 72 82
ul. Wyścigowa 38 fax 71 364 72 83

www.arapneumatik.pl



Pneumatic Stop Cylinders

Pneumatic stop cylinders with hydraulic industrial shock absorbers for soft, rebound-free stopping of a conveyed load.

Pneumatic Stop Cylinders

- Soft, rebound-free stopping of a conveyed load.
- Flexible: for vertical or horizontal installation
- Types with shock absorber/roller lever combination, lone roller or roller with a piston rod that ensures direct stoppage
- Shock absorbers are easy to replace, even when fitted
- Rotating stop head for adjustment in line with the direction of travel of the conveyed load
- Rocker can be deactivated for alternate travel function
- Single and double acting cylinder variants
- Operating pressure up to 10 bar
- Different shock absorbers for conveyed load weights of up to 1700 kg and speeds of up to 45 m/min
- Optional: position switch for piston rod and proximity switch for rocker

Rocker locking

After the conveyed load is stopped, the rocker is lowered and unlocked by applying compressed air. After the conveyed load has been moved, the return spring brings the rocker into its upper end position so that it is back in its start position for the next stopping procedure.

Integrated shock absorbers

The shock absorbers, aligned to the weight and speed of the load, ensure gentle and precise stopping of the conveyed load

Guide rod

Thanks to the easy-to-replace guide rod, the rocker can be quickly rotated so that the conveyor can move in a different direction.

Diecast Aluminum

The design of the robust, lightweight diecast aluminum and its compact size enables it to be installed in many different conveyor systems.

Unrestricted conveyor movement

The rocker is held in the OFF position (deactivated) by simply clipping a spring steel sheet onto it. The conveyed load can pass through the stop cylinder unobstructed while the rocker is in this position.



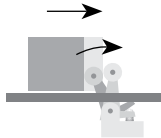
Stop Cylinder — Vertical Version

STVSR series



Integrated shock absorber for heavy conveyed loads

The built-in shock absorber stops the conveyed load in a gentle and precise manner without disturbing the load. Various shock absorbers are available depending on the weight of the conveyed load and the desired transport speed.

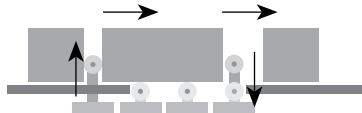


STVDR series



Roller for lower conveyed load weights

The piston rod with upward facing roller is lowered by applying compressed air once the conveyed load is on the ground. Afterwards, it is brought back into the upper end position by a return spring.

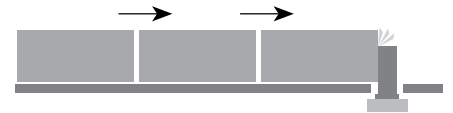


STVD series



Direct stopping piston rod for heavy conveyed loads

Reliably stops heavy conveyed loads at low transport speeds. Can also be used as a locking cylinder due to its solid piston rod.

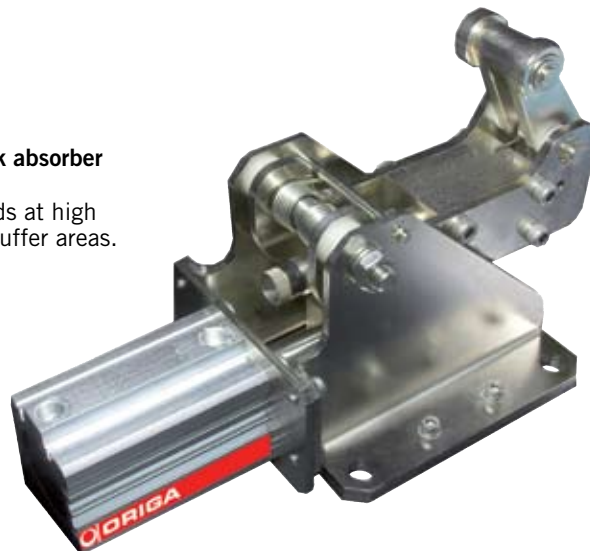


Stop Cylinder — Horizontal Version

STHSR series

Horizontal stop cylinder with shock absorber

Reliably stops heavy conveyed loads at high transport speeds. Well-suited for buffer areas.



Pneumatic Stop Cylinders

with hydraulic industrial shock absorbers

Overview

Vertical versions

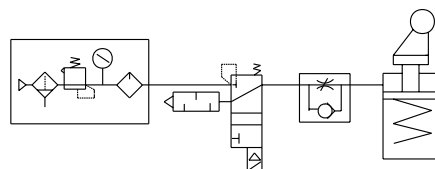
Description	Image	Cylinder Ø (mm)	Stroke (mm)	Type
Vertical stop cylinder with shock absorber and roller lever		50	30	STVSR-50-30-.-...
		80	40	STVSR-80-40-...
Vertical stop cylinder with roller		50	30	STVDR-50-30-...
Vertical stop cylinder with direct stopping piston rod		50	30	STVD-50-30-...

Horizontal versions

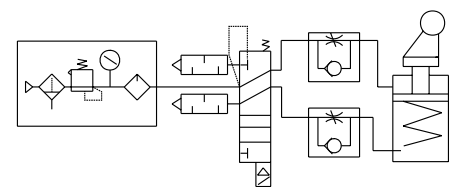
Horizontal stop cylinder with shock absorber and roller lever		50	50	STHSR-50-50-...
---	---	----	----	-----------------

Wiring diagrams

Single acting



Double acting



Specifications

Specification	Symbol	Unit	Comments
Medium			Filtered and unoiled compressed air – if oiled, then continuous
Operating pressure range	$p_{n \text{ min/max}}$	bar	2–10
Test pressure		bar	15 bar
Ambient temperature range	t_{min} t_{max}	°C °C	0 +65 Note: If intending use below freezing point (0°C), you must consult us for advice.
Lubrication			Unoiled
Cushioning			Cushioning mat made from oil-resistant rubber
Magnetic switch and holder			ORIGA
Stop cylinder weight (mass)			
– Type STVSR-50-30		kg	1800
– Type STVSR-80-40		kg	6820
– Type STVDR-50-30		kg	1800
– Type STVD-50-30		kg	1800
– Type STHSR-50-50		kg	8750

Pneumatic Stop Cylinders

*with hydraulic industrial shock absorbers**

Vertical version

STVSR series
STVDR series
STVD series*

∅ 50, 80 mm

Horizontal version

STHSR series
∅ 50 mm*

Specifications

See pages 6–13 for vertical versions, see pages 14–15 for horizontal versions

Dimensions in mm



Pneumatic Stop Cylinders

with hydraulic industrial shock absorbers

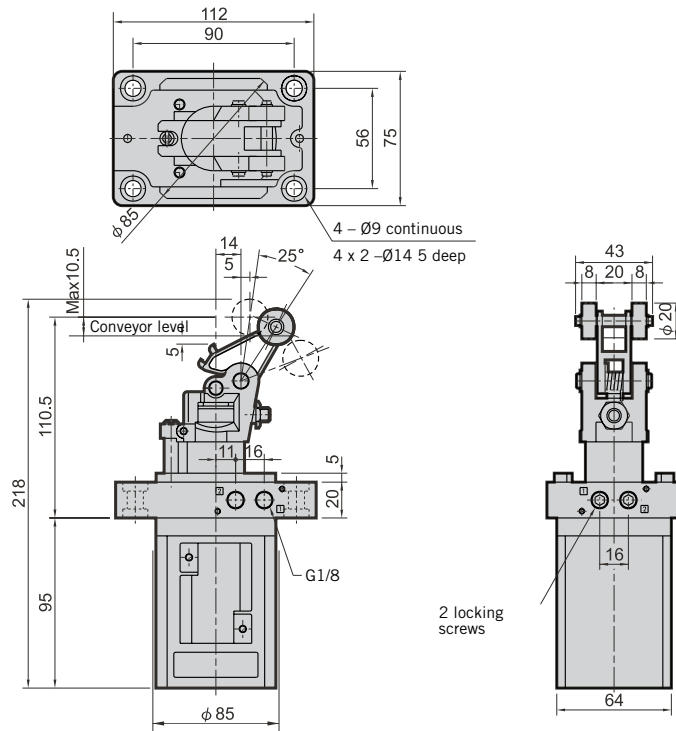
Vertical version

STVSR series

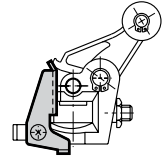
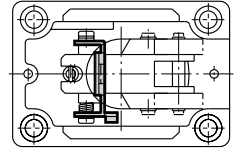
Ø 50 mm

Dimensions

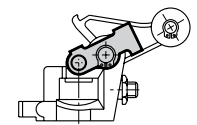
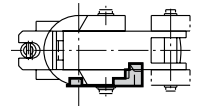
Stop cylinder dimensions Ø 50 — Type STVSR-50-30



Option - Rocker locking

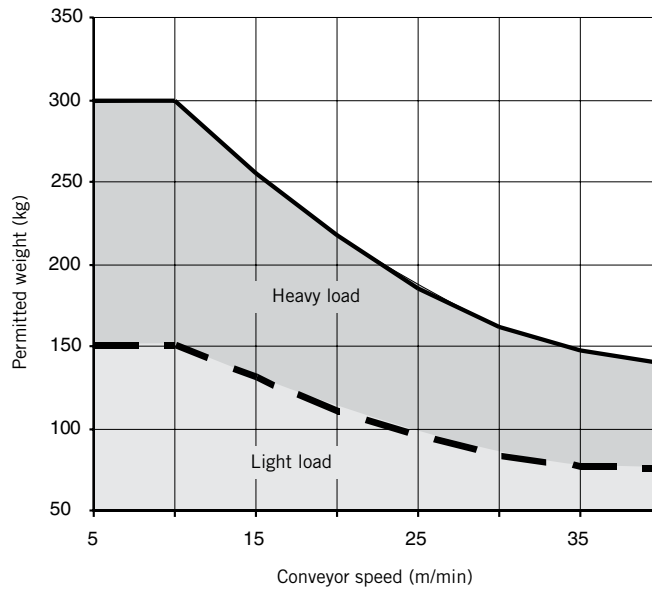


- Free travel of conveyed load



Loads

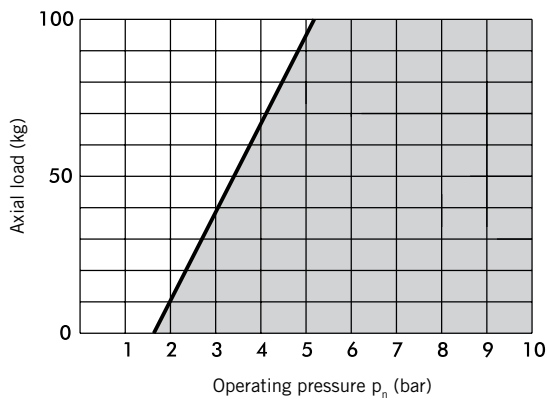
Moving mass subject to speed — Type STVSR-50-30



See page 5 for Specifications

Dimensions in mm

Axial load subject to operating pressure — Type STVSR-50-30



Pneumatic Stop Cylinders

with hydraulic industrial shock absorbers

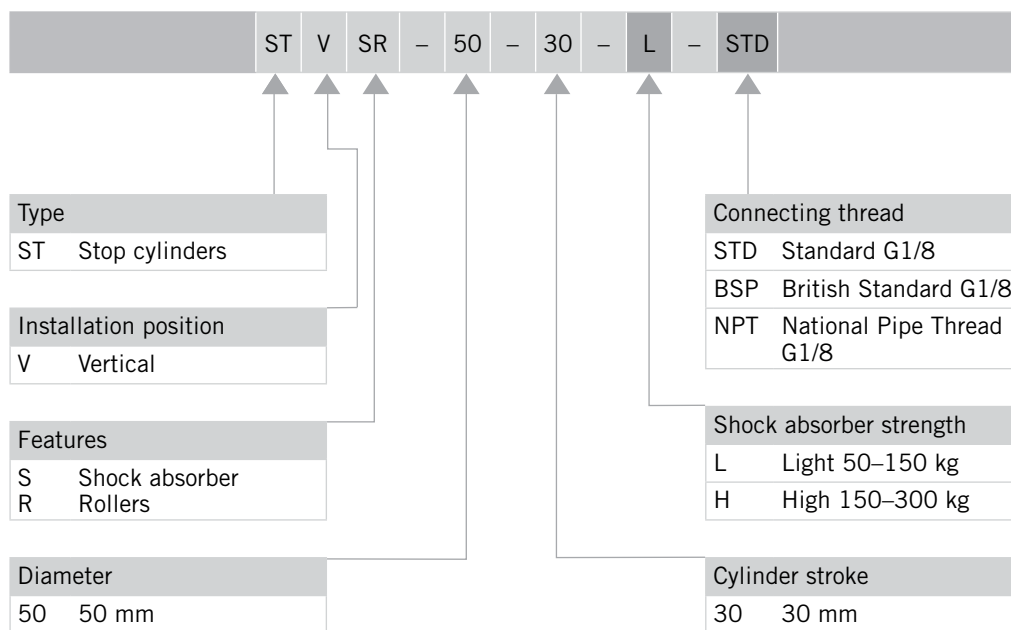
Vertical version

STVSR series

Ø 50 mm

Loads

Product key



Order details



See page 5 for Specifications

Dimensions in mm

Pneumatic Stop Cylinders

with hydraulic industrial shock absorbers

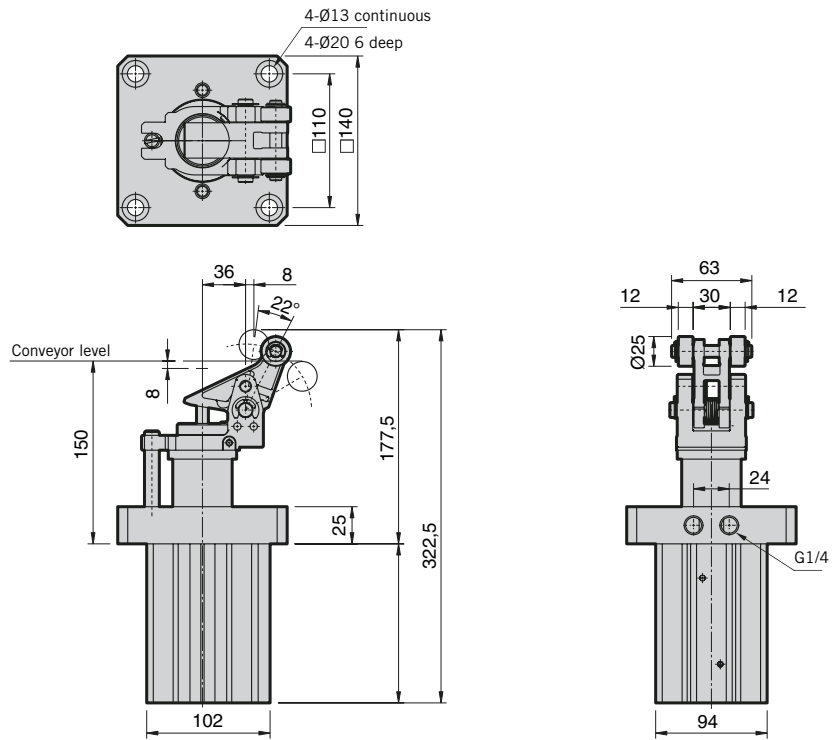
Vertical version

STVSR series

Ø 80 mm

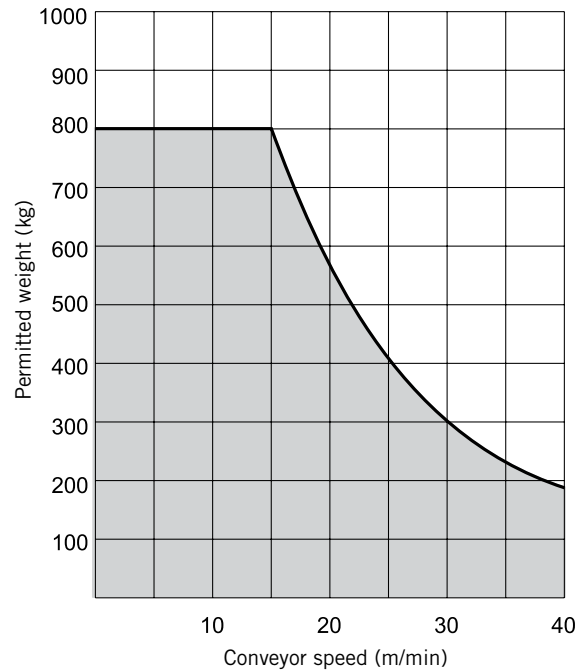
Dimensions

Stop cylinder dimensions Ø 80 – Type STVSR-80-40



Loads

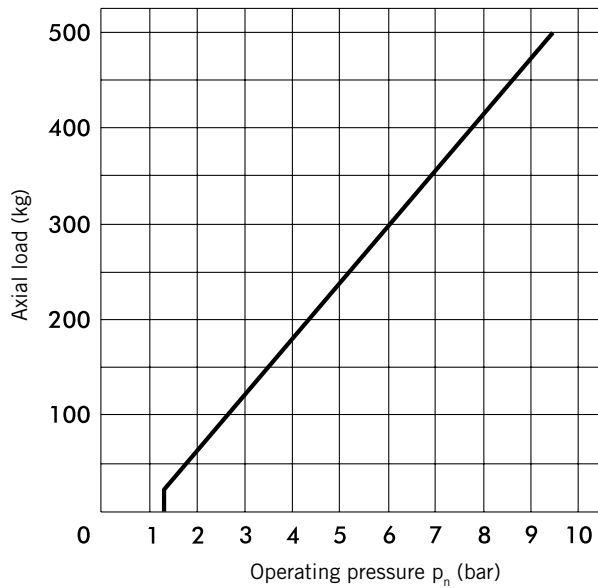
Moving mass subject to speed — Type STVSR-80-40



See page 5 for Specifications

Dimensions in mm

Axial load subject to operating pressure — Type STVSR-80-40



Pneumatic Stop Cylinders

with hydraulic industrial shock absorbers

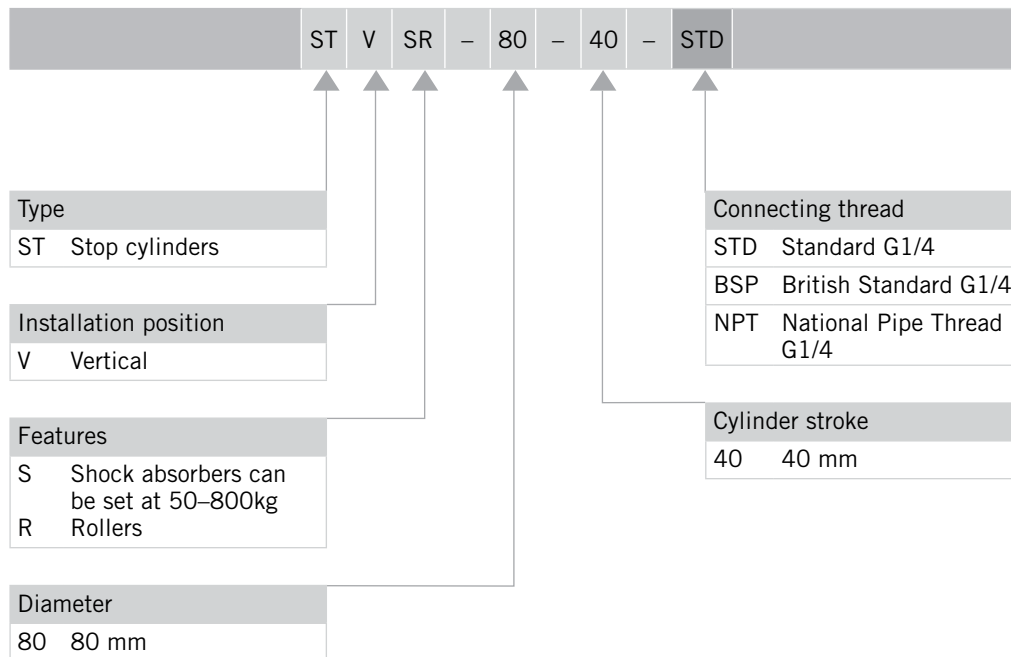
Vertical version

STVSR series

Ø 80 mm

Loads

Product key



Order details



See page 5 for Specifications

Dimensions in mm

Pneumatic Stop Cylinders

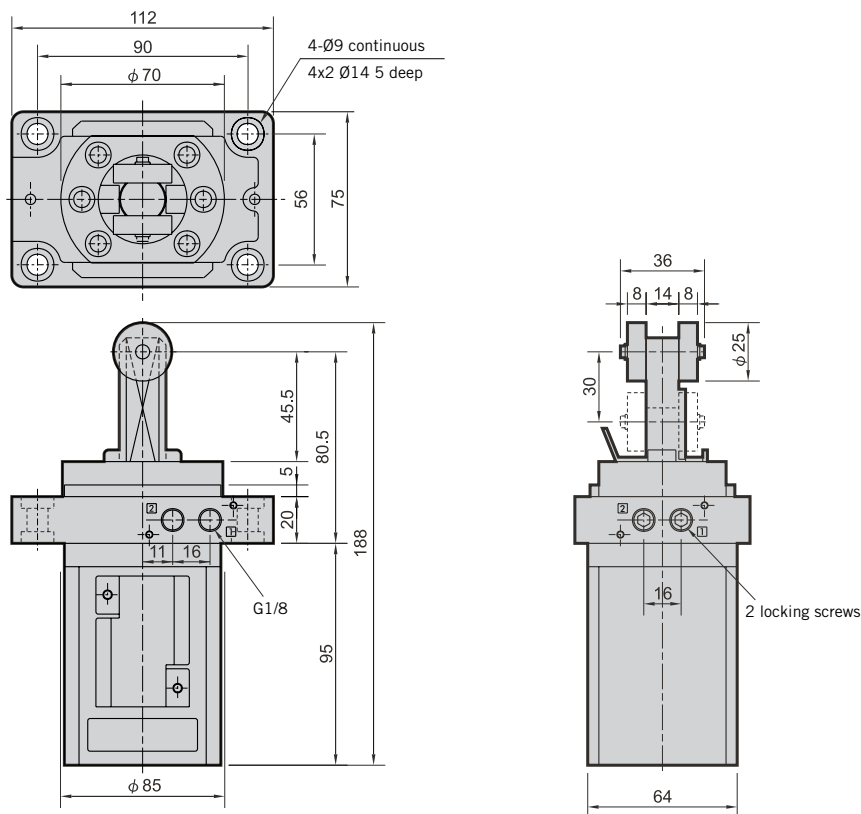
Vertical version

STVDR series

Ø 50 mm

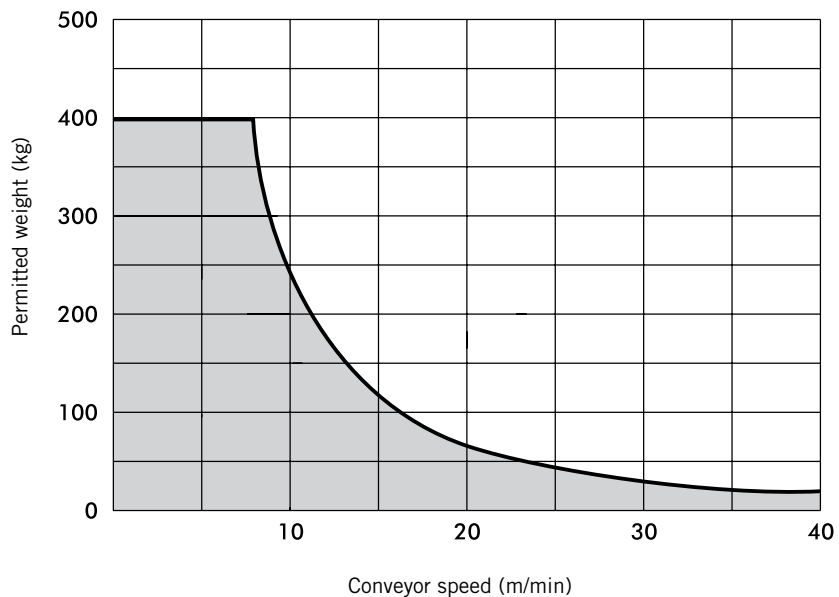
Dimensions

Stop cylinder dimensions Ø 50 — Type STVDR-50-30



Loads

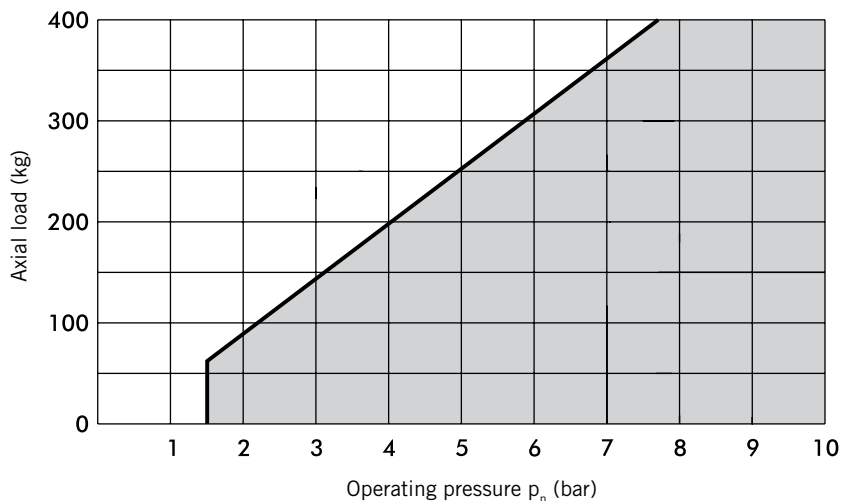
Moving mass subject to speed — Type STVDR-50-30



See page 5 for Specifications

Dimensions in mm

Axial load subject to operating pressure — Type STVDR-50-30



Pneumatic Stop cylinders

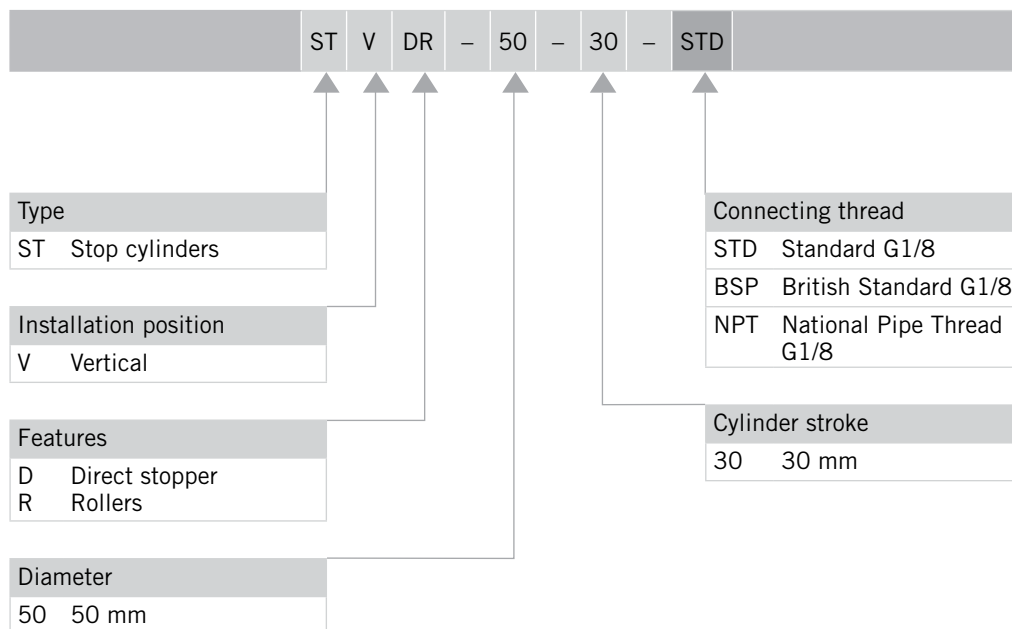
Vertical version

STVDR series

Ø 50 mm

Loads

Product key



Order details



See page 5 for Specifications

Dimensions in mm

Pneumatic Stop Cylinders

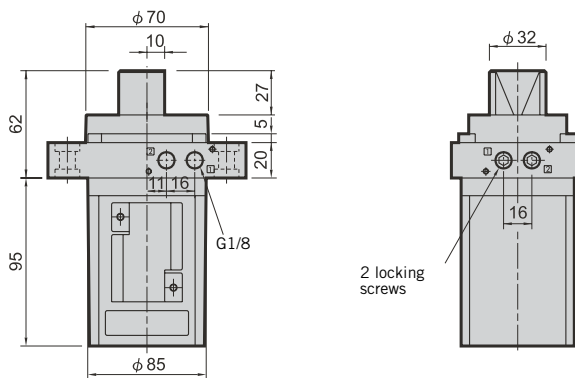
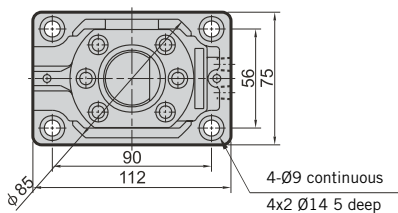
Vertical version

STVD series

Ø 50 mm

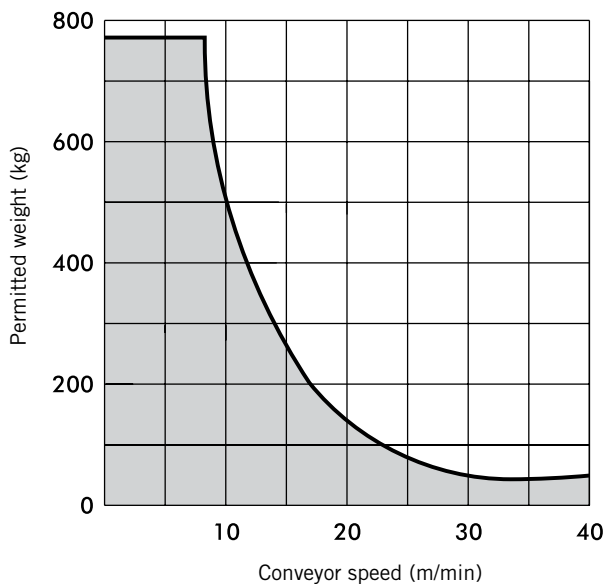
Dimensions

Stop cylinder dimensions Ø 50 — Type STVD-50-30



Loads

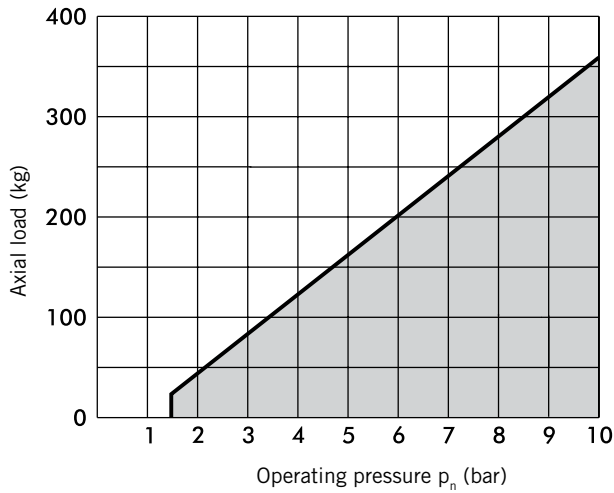
Moving mass subject to speed — Type STVD-50-30



See page 5 for Specifications

Dimensions in mm

Axial load subject to operating pressure — Type STVD-50-30



Pneumatic Stop cylinders

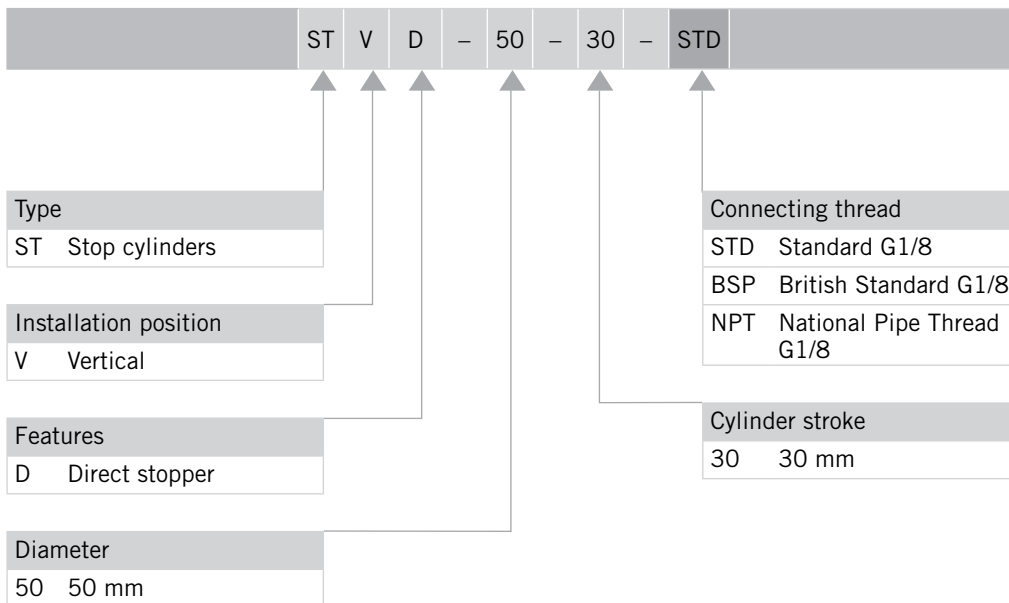
Vertical version

STVD series

Ø 50 mm

Loads

Product key



Order details



See page 5 for Specifications

Dimensions in mm

Pneumatic Stop Cylinders

with hydraulic industrial shock absorbers

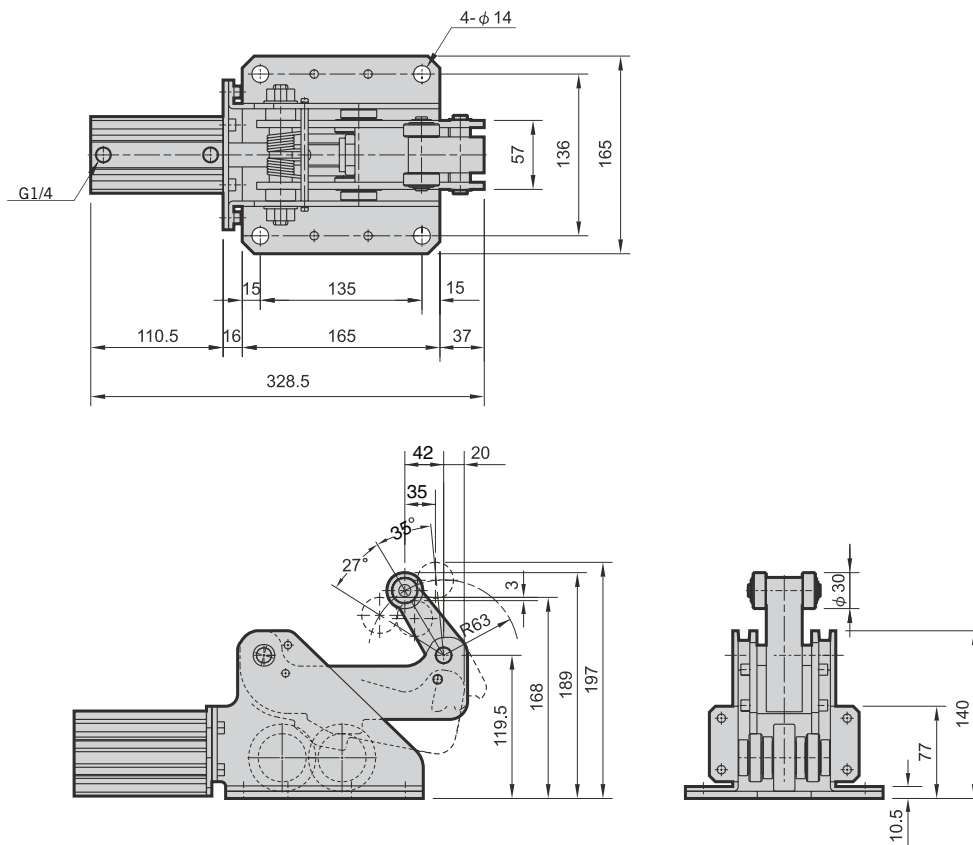
Horizontal version

STHSR series

Ø 50 mm

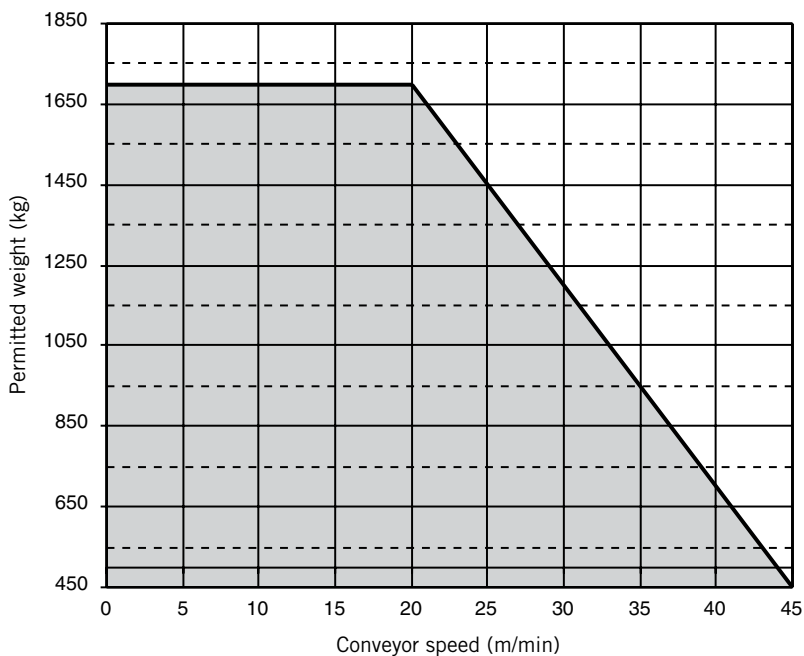
Dimensions

Stop cylinder dimensions Ø 50 — Type STHSR-50-50



Loads

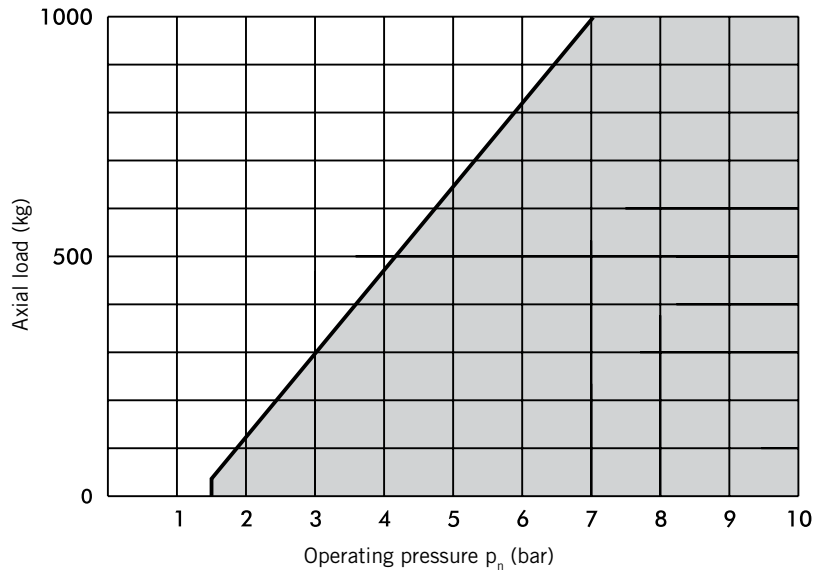
Moving mass subject to speed — Type STHSR-50-50



See page 5 for Specifications

Dimensions in mm

Axial load subject to operating pressure — Type STHSR-50-50



Pneumatic Stop Cylinders

with hydraulic industrial shock absorbers

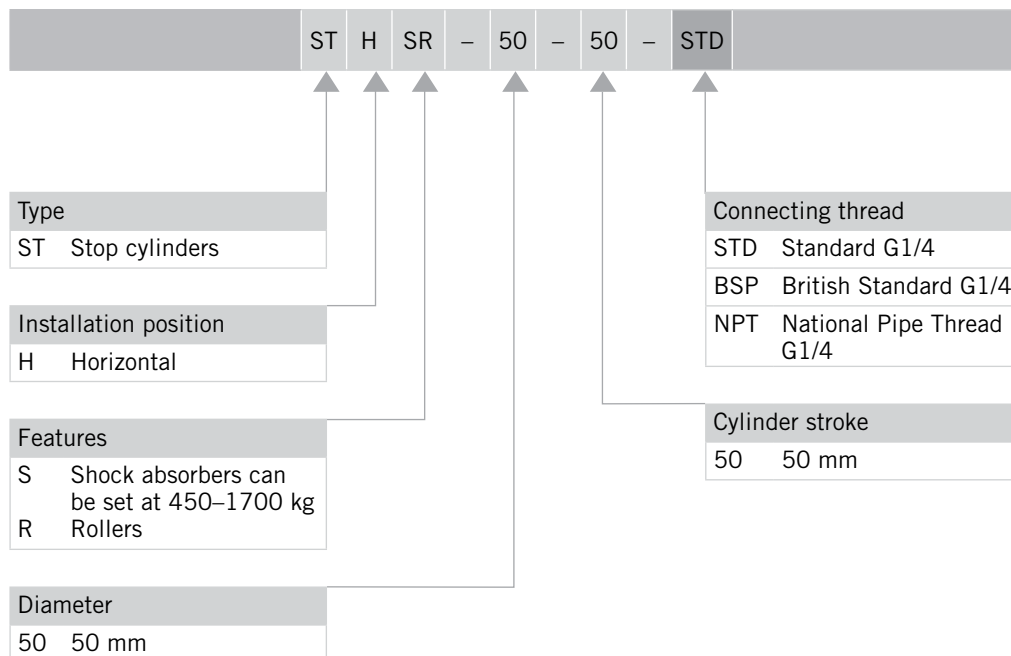
Horizontal version

STHSR series

Ø 50 mm

Loads

Product key



Order details



See page 5 for Specifications
 Dimensions in mm

Sales Offices Worldwide

AE – United Arabien Emirates

Dubai
Tel: +971 4 8875600
parker.me@parker.com

AR – Argentina, Buenos Aires
Tel: +54 3327 44 4129

AT – Austria, Wiener Neustadt
Tel: +43 (0)2622 23501-0
parker.austria@parker.com

AT – Austria, Wiener Neustadt
(Europa Oriental)
Tel: +43 (0)2622 23501 970
parker.easteurope@parker.com

AT – Austria, Wiener Neustadt
Parker Origa Pneumatik GmbH
Tel: +43 2622 26071-269
info-hoat-sales.pn@parker-origa.com

AU – Australia, Castle Hill
Tel: +61 (0)2-9634 7777

AZ – Azerbaijan, Baku
Tel: +994 50 2233 458
parker.azerbaijan@parker.com

BE/LX – Belgium, Nivelles
Tel: +32 (0)67 280 900
parker.belgium@parker.com

BR – Brazil, Cachoeirinha RS
Tel: +55 51 3470 9144

BY – Belarus, Minsk
Tel: +375 17 209 9399
parker.belarus@parker.com

CA – Canada, Milton, Ontario
Tel: +1 905 693 3000

CH – Swiss, Etoy
Tel: +41 (0) 21 821 02 30
parker.switzerland@parker.com

CH – Swiss, Otelfingen
Parker Origa AG
Tel: +41 44 846 6860
info-hoch-sales@parker-origa.com

CN – China, Shanghai
Tel: +86 21 5031 2525

CZ – Czechia, Klecany
Tel: +420 284 083 111
parker.czechrepublic@parker.com

DE – Germany, Kaarst
Tel: +49 (0)2131 4016 0
parker.germany@parker.com

DK – Denmark, Ballerup
Tel: +45 43 56 04 00
parker.denmark@parker.com

ES – Spain, Madrid
Tel: +34 902 33 00 01
parker.spain@parker.com

FI – Finland, Vantaa
Tel: +358 (0)20 753 2500
parker.finland@parker.com

FR – France
Tel: +33 (0)4 50 25 80 25
parker.france@parker.com

FR – France, Courtaboeuf Cedex
Parker Origa SAS
Tel: +33 1 69 29 22 00
info-hofr-sales@parker-origa.com

GR – Greece, Atenas
Tel: +30 210 933 6450
parker.greece@parker.com

HK – Hong Kong
Tel: +852 2428 8008

HU – Hungary, Budapest
Tel: +36 1 220 4155
parker.hungary@parker.com

IE – Ireland, Dublin
Tel: +353 (0)1 466 6370
parker.ireland@parker.com

IN – India, Mumbai
Tel: +91 22 6513 7081-85

IT – Italy, Corsico (MI)
Tel: +39 02 45 19 21
parker.italy@parker.com

IT – Italy, Pioltello (MI)
Parker Origa SRL
Tel: +39 02 92 16 65 53
info-hoit-sales@parker-origa.com

JP – Japan, Fujisawa
Tel: +(81) 4 6635 3050

KR – Korea, Seúl
Tel: +82 2 559 0400

KZ – Kazakhstan, Almaty
Tel: +7 7272 505 800
parker.easteurope@parker.com

LV – Latvia, Riga
Tel: +371 6 745 2601
parker.latvia@parker.com

MX – Mexico, Apodaca
Tel: +52 81 8156 6000

MY – Malaysia, Subang Jaya
Tel: +60 3 5638 1476

MY – Malaysia, Penang
Parker Origa Sdn Bhd
Tel: +60 4 508 10 11
info-hosg-sales@parker-origa.com

NL – Netherlands, Oldenzaal
Tel: +31 (0)541 585 000
parker.nl@parker.com

NL – Netherlands, SL Moerdijk
Parker Origa B.V.
Tel: +31 168 356 600
info-honl-sales@parker-origa.com

NO – Norway, Ski
Tel: +47 64 91 10 00
parker.norway@parker.com

NO – Norway, Drammen
Parker Origa AS
Tel: +47 3 288 08 40
info-hose-sales@parker-origa.com

NZ – New Zealand
Mt Wellington
Tel: +64 9 574 1744

PL – Poland, Varsovia
Tel: +48 (0)22 573 24 00
parker.poland@parker.com

PT – Portugal, Leca da Palmeira
Tel: +351 22 999 7360
parker.portugal@parker.com

RO – Romania, Bucarest
Tel: +40 21 252 1382
parker.romania@parker.com

RU – Russia, Moscow
Tel: +7 495 645-2156
parker.russia@parker.com

SE – Sweden, Spånga
Tel: +46 (0)8 59 79 50 00
parker.sweden@parker.com

SE – Sweden, Kungsör
Parker Origa AB
Tel: +46 227 411 00
info-hose-sales@parker-origa.com

SG – Singapor
Tel: +65 6887 6300

SG – Singapor
Parker Origa PTE Ltd.
Tel: +65 6483 2959
info-hose-sales@parker-origa.com

SK – Slovakia, Banská Bystrica
Tel: +421 484 162 252
parker.slovakia@parker.com

SI – Slovenia, Novo Mesto
Tel: +386 7 337 6650
parker.slovenia@parker.com

TH – Thailand, Bangkok
Tel: +662 717 8140

TR – Turkey, Istanbul
Tel: +90 216 4997081
parker.turkey@parker.com

TW – Taiwan, Taipei
Tel: +886 2 2298 8987

UA – Ukraine, Kiev
Tel: +380 44 494 2731
parker.ukraine@parker.com

UK – United Kingdom, Gloucester
Parker Origa Ltd.
Tel: +44 8700 600655
info-hogb-sales@parker-origa.com

UK – United Kingdom, Warwick
Tel: +44 (0)1926 317 878
parker.uk@parker.com

US – United States of America,
Cleveland
Tel: +1 216 896 3000

US – United States of America
Parker Origa Corporation
Tel: +1 630 871 830-0
info-hous-sales@parker-origa.com

VE – Venezuela, Caracas
Tel: +58 212 238 5422

ZA – South Africa,
Kempton Park
Tel: +27 (0)11 961 0700
parker.southafrica@parker.com

P-A3P170E Dez. 2008

© 2008 Parker-Origa GmbH - All rights, errors, and changes reserved



Parker-Origa GmbH
Industriestr. 8
70794 Filderstadt, Deutschland
Tel. +49 7185 17030
Fax +49 7158 64870
www.parker-origa.com

Autoryzowany dystrybutor Parker:

ARA
PNEUMATIK
53-012 Wrocław tel. 71 364 72 82
ul. Wysycigowa 38 fax 71 364 72 83
www.arapneumatik.pl

