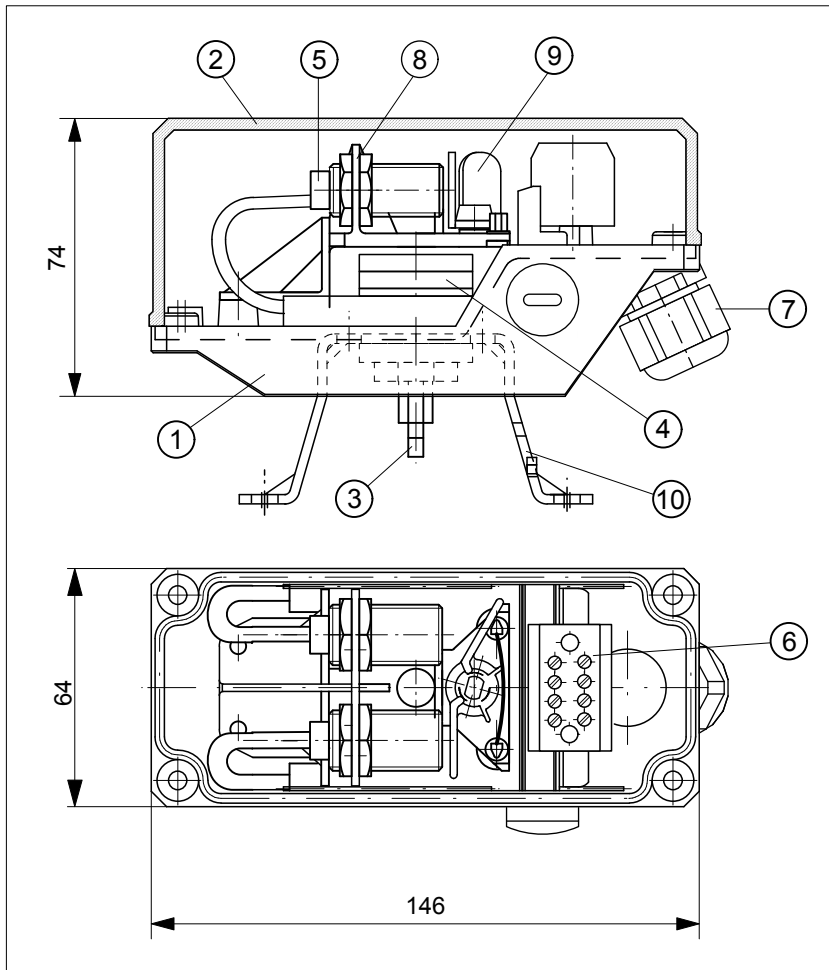




TPF211VVAZ

TCR-Module with two proximity switches Pepperl+Fuchs NJ2-11-N-G
in TCR-Housing 146 x 64 x 74 mm



TECHNICAL DATA

Manufacturer: Pepperl+Fuchs
 Type: NJ2-11-N-G
 inductive, NAMUR
 Normally closed contact

Operating distance: 2 mm
 Nominal voltage: 8,2 V DC
 Current consumpt.: ≥ 3 mA, inactive
 ≤ 1 mA, active

Switch. frequency: 0 ... 3000 Hz
 Temperature: $-25 \dots +85^\circ\text{C}$
 Housing base: Vestamid, black
 Housing cover: Vestamid, black
 Sealing: EPDM
 Ingress protection: IP68 (Sensor)
 IP65 (Housing)

Switching precision: $<1.5^\circ$
 System connection: Cable gland M20x1,5

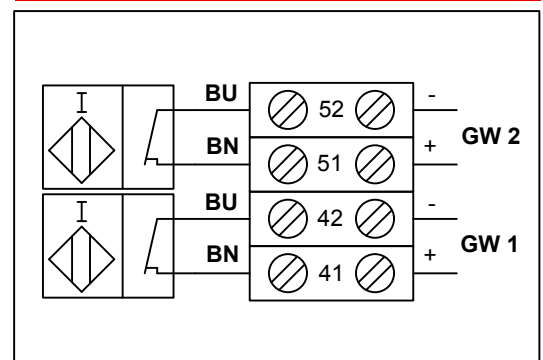
Ex II 2G Ex ia IIC T6 Gb

EC-Type Examination Certificate No.
PTB 00 ATEX 2048 X

OBJECT LIST

Pos.	Pcs.	Description	Material
1	1	Housing base	Vestamid
2	1	Housing cover	Vestamid
3	1	TCR-Axis	POM
4	1	Switch cam system	POM
5	2	P+F NJ2-11-N-G	-
6	1	Terminal block, 4-pole	-
7	1	Cable gland M20x1,5 blue	-
8	1	Sensor fastener	PA+30%GF
9	1	Switch flag	PE chromed
10	1	Bracket size 1 - 4	A2

WIRING DIAGRAM



ARA

PNEUMATIK

53-012 Wrocław tel. 71 364 72 85
ul. Wyscigowa 38 fax 71 364 72 83

www.arapneumatik.pl

