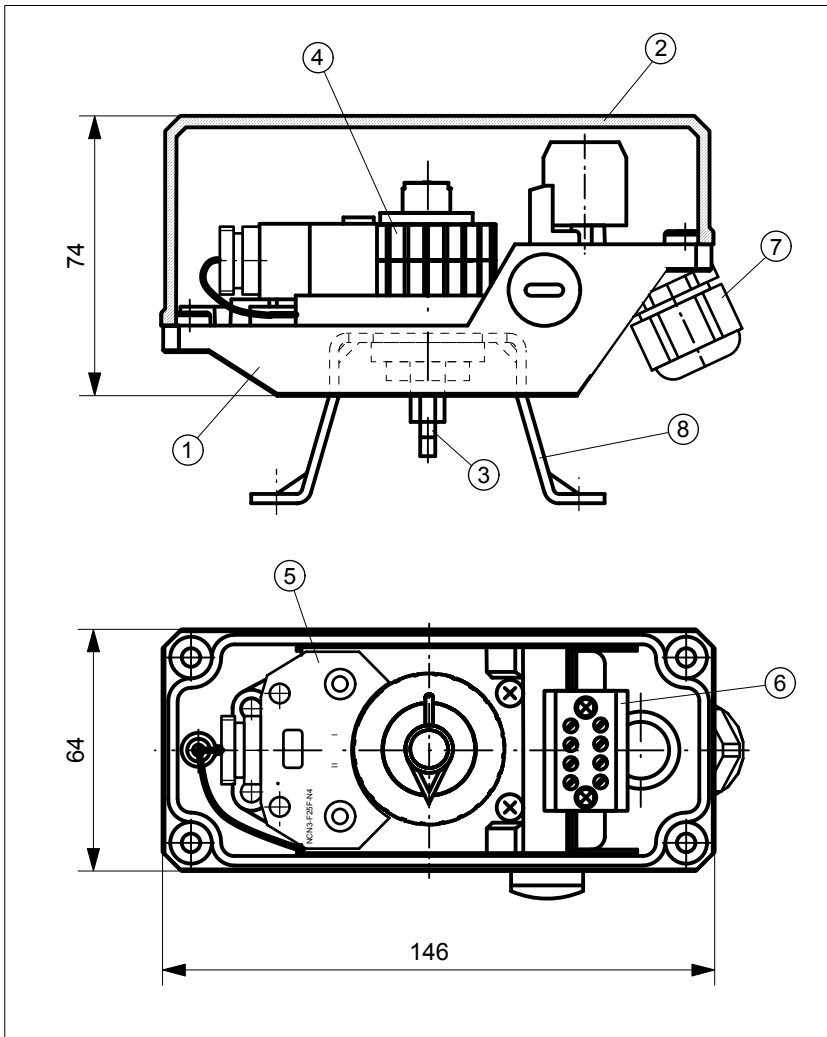




# TPFF25NVVAZ

TCR-Module with double sensor Pepperl+Fuchs NCN3-F25F-N4  
in TCR-Housing 146 x 64 x 74 mm



## TECHNICAL DATA

Manufacturer: Pepperl+Fuchs  
 Type: NCN3-F25F-N4  
 inductive, NAMUR  
 Normally closed contact

Operating distance: 3 mm  
 Nominal voltage: 8 V DC  
 Switch. frequency: 0 ... 1500 Hz  
 Current consumpt.:  $\geq 3$  mA, inactive  
 $\leq 1$  mA, active

Output: short-circuit protection,  
 reverse-polarity protection

Temperature: -25 ... +85°C  
 Housing base: Vestamid, black  
 Housing cover: Vestamid, black  
 Sealing: EPDM  
 Ingress protection: IP67 (Sensor)  
 IP65 (Housing)

Switching precision:  $< 0.5^\circ$   
 System connection: Cable gland M20x1,5

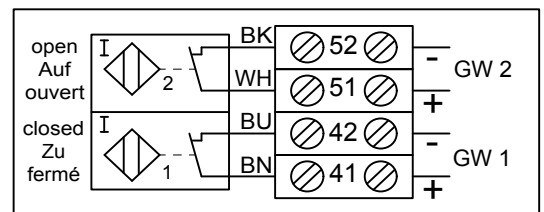


EC-Type Examination Certificate No.  
TÜV 99 ATEX 1479 X

## OBJECT LIST

Pos.	Pcs.	Description	Material
1	1	Housing base	Vestamid
2	1	Housing cover	Vestamid
3	1	TCR-Axis	POM
4	1	Switch cam system	POM, A2
5	1	P+F NCN3-F25F-N4	
6	1	Terminal block, 4-pole	-
7	1	Cable gland M20x1,5	-
8	1	Bracket size 1-4	A2

## WIRING DIAGRAM



# ARA

## PNEUMATIK

53-012 Wrocław tel. 71 364 72 85  
ul. Wyścigowa 38 fax 71 364 72 83

[www.arapneumatik.pl](http://www.arapneumatik.pl)

