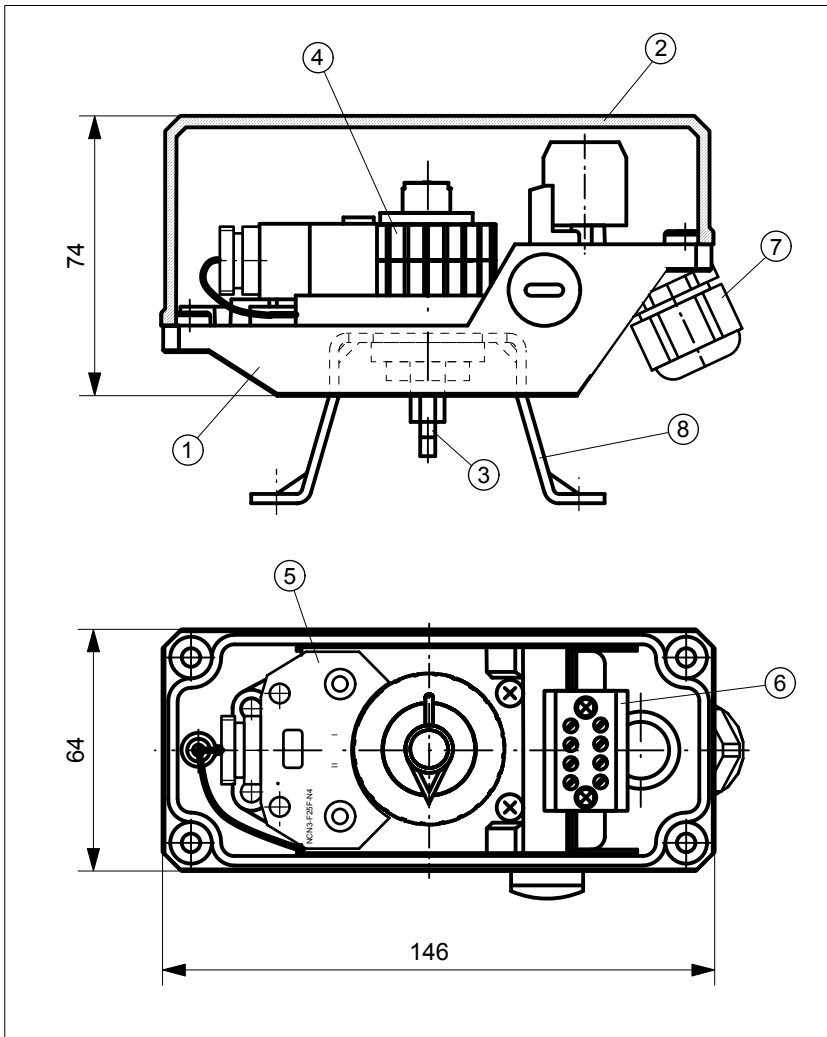




TPFF25NVVAZ

TCR-Module with double sensor Pepperl+Fuchs NCN3-F25F-N4
in TCR-Housing 146 x 64 x 74 mm



TECHNICAL DATA

Manufacturer: Pepperl+Fuchs
 Type: NCN3-F25F-N4
 inductive, NAMUR
 Normally closed contact

Operating distance: 3 mm
 Nominal voltage: 8 V DC
 Switch. frequency: 0 ... 1500 Hz
 Current consumpt.: >= 3 mA, inactive
 <= 1 mA, active

Output: short-circuit protection,
 reverse-polarity protection

Temperature: -25 ... +85°C
 Housing base: Vestamid, black
 Housing cover: Vestamid, black
 Sealing: EPDM
 Ingress protection: IP67 (Sensor)
 IP65 (Housing)

Switching precision: <0.5°
 System connection: Cable gland M20x1,5

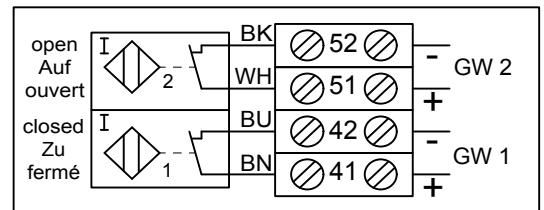


EC-Type Examination Certificate No.
TÜV 99 ATEX 1479 X

OBJECT LIST

| Pos. | Pcs. | Description | Material |
|------|------|------------------------|----------|
| 1 | 1 | Housing base | Vestamid |
| 2 | 1 | Housing cover | Vestamid |
| 3 | 1 | TCR-Axis | POM |
| 4 | 1 | Switch cam system | POM, A2 |
| 5 | 1 | P+F NCN3-F25F-N4 | |
| 6 | 1 | Terminal block, 4-pole | - |
| 7 | 1 | Cable gland M20x1,5 | - |
| 8 | 1 | Bracket size 1-4 | A2 |

WIRING DIAGRAM



ARA

PNEUMATIK

53-012 Wrocław tel. 71 364 72 85
ul. Wyscigowa 38 fax 71 364 72 83

www.arapneumatik.pl

