

# BUTTERFLY VALVES

VF-535T / VF-555T



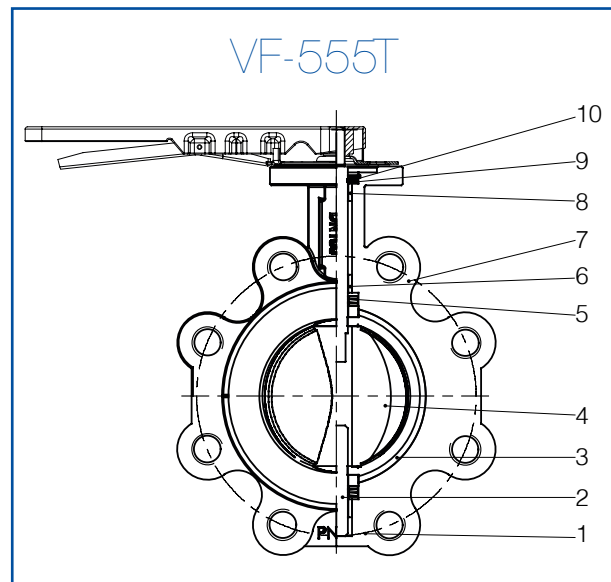
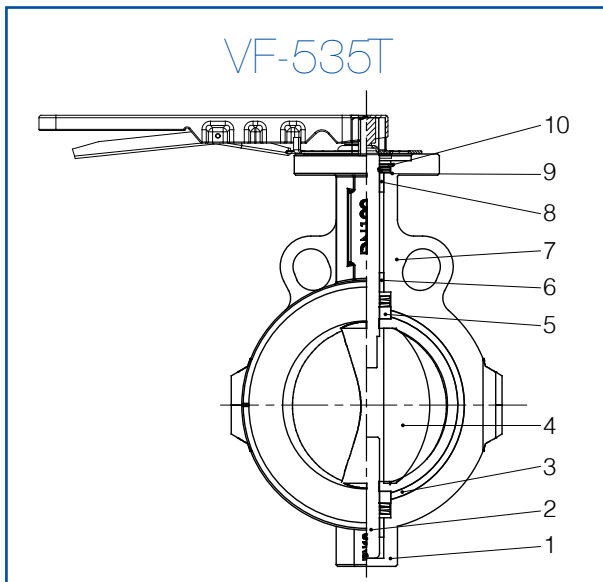
**Wafer butterfly valves**, used for aggressive and corrosive fluid with particular design of PTFE pressed on stainless steel disc and PTFE liner

**AT.EX. Certified for zone 1 and 21**

### Available types

art. VF-535T wafer

art. VF-555T lug



N°	PARTS	MATERIALS	SPECIFICATION	DETAIL
1-7	BODY	STAINLESS STEEL	ASTM A351 CF8M	-
2	STEM	STAINLESS STEEL	AISI 316	-
3	SEAT	PTFE	-	Working temperature: -20°C / +180°C (*)
4	DISC	PTFE PRESSED ON STAINLESS STEEL DISC	PTFE + ASTM A351 CF8M	-
5-6-8	STEM SLEEVE	FIBER REINFORCED POLYMER	FRP	-
9-10	SEGER	STEEL	EN 1.5023	-

(\*) Working temperature must always be related to working pressure and chemical composition of fluid

**ARA**<sup>®</sup>  
PNEUMATIK

ul. Wyscigowa 38, 53-012 Wrocław  
tel. 71 364 72 82, ara@arapneumatik.pl  
[www.arapneumatik.pl](http://www.arapneumatik.pl)



# BUTTERFLY VALVES

VF-535T / VF-555T

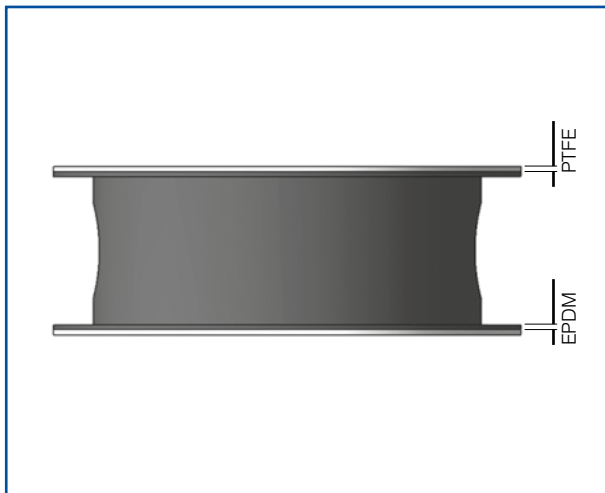
CE Ex II 2 G/D T.F. 02

## Technical details

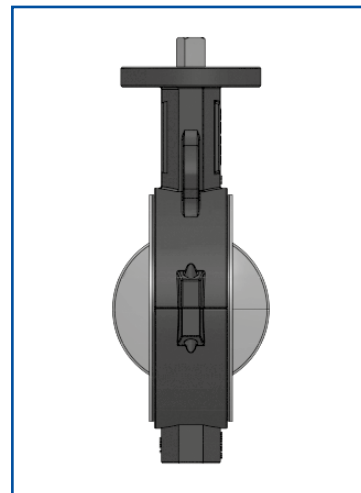
- Two-pieces epoxy painted body
- Face to face according to API 609
- ISO 5211 upper flange for mounting of electrical or pneumatic actuator
- Valve are suitable for UNI PN 10/16 or ANSI 150 welding neck or slip-on flanges
- Lever operated from DN 50 to DN 100, gear operated from DN 125 to DN 300
- Working pressure: 16 bar (DN 50-150), 10 bar (DN 200-300)
- Hydraulic tests according to API 598:
  - Seat: 18 bar (DN 50-150), 11 bar (DN 200-300), 7 bar (DN 350-600)
  - Body: 24 bar (DN 50-150), 15 bar (DN 200-300), 9 bar (DN 350-600)

## PTFE thickness

Particular design of VF-535T/555T guarantees that the intercepted fluid is only in contact with PTFE pressed parts: seat with EPDM back-seat, disc with stainless steel core.

**SEAT**

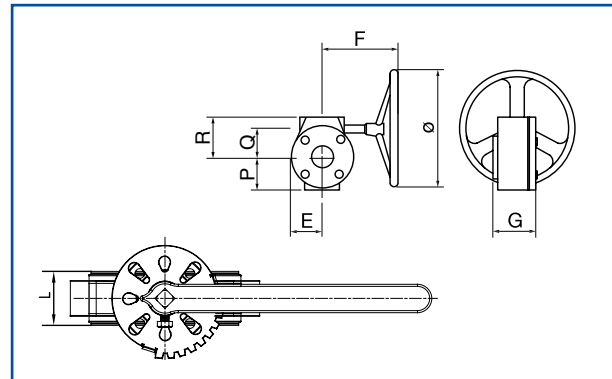
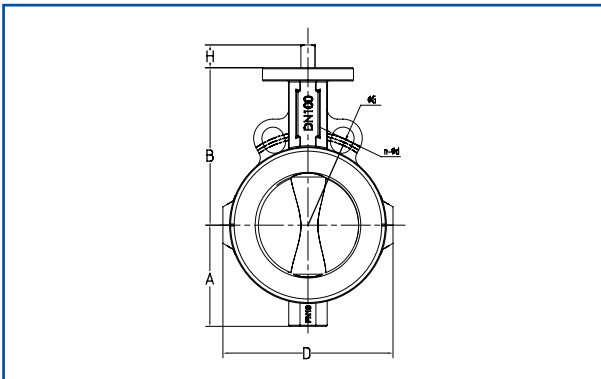
DN	PTFE thickness (mm)	EPDM thickness (mm)
50	2	2
65	2	2
80	2	2
100	2,3	2,2
125	2,4	2,6
150	2,4	2,6
200	2,4	2,6
250	2,5	3
300	2,5	3

**PTFE PRESSED ON DISC**

DN	PTFE thickness (mm)
50	4±0.3
65	4.5±0.3
80	5±0.3
100	5.5±0.5
125	5.5±0.5
150	6±0.5
200	6.5±0.5
250	7±0.5
300	7.5±0.5

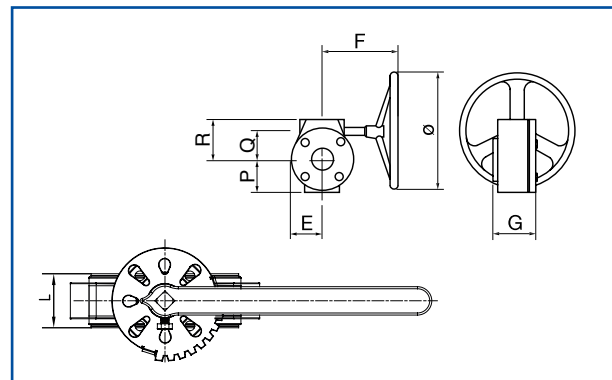
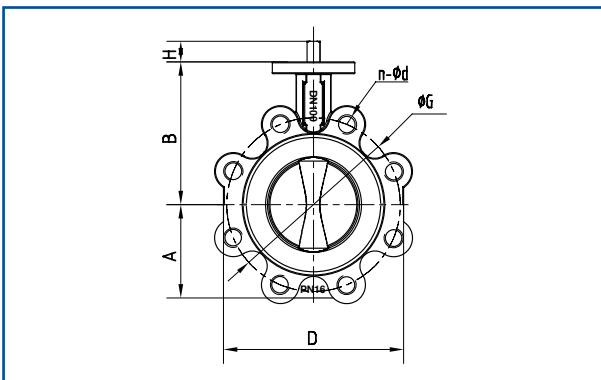
### DIMENSIONS

### VF-535T



SIZE	DIMENSIONS VF-535T WAFER																	Weight	
	DN	A	B	D	L	H	ANSI 150		DIN PN 10		DIN PN 16		GEAR						
							øG	n-ød	øG	n-ød	øG	n-ød	P	Q	R	E	F		G
50	62	136	112	47	32	120,5	4-19	125	4-19	125	4-19	52	45	74	52	153	75	150	3
65	70	138	126	50	32	139,5	4-19	145	4-19	145	4-19	52	45	74	52	153	75	150	4
80	78	140	142	50	32	152,5	4-19	160	4-19	160	8-19	52	45	74	52	153	75	150	5
100	105	158	168	55,5	32	190,5	8-19	180	8-19	180	8-19	52	45	74	52	153	75	150	8
125	122	180	240	59	32	216	8-22.4	210	8-19	210	8-19	52	45	74	52	153	75	150	11
150	134	186	265	59	32	241,5	8-22.4	240	8-22	240	8-22	52	45	74	52	153	75	150	14
200	165	234	320	63	32	298,5	8-22.4	295	8-22	295	12-22	75	63	101	75	250	86	285	22
250	194	273	385	73	45	362	12-25.4	350	12-22	355	12-26	75	63	101	75	250	86	285	29
300	224	302	450	81	45	432	12-25.4	400	12-22	410	12-26	81	80	118	81	227	83	285	38

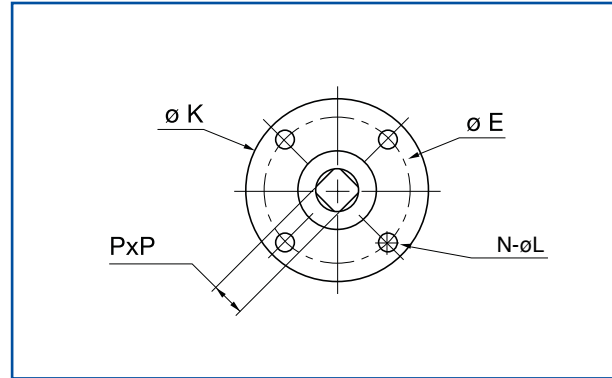
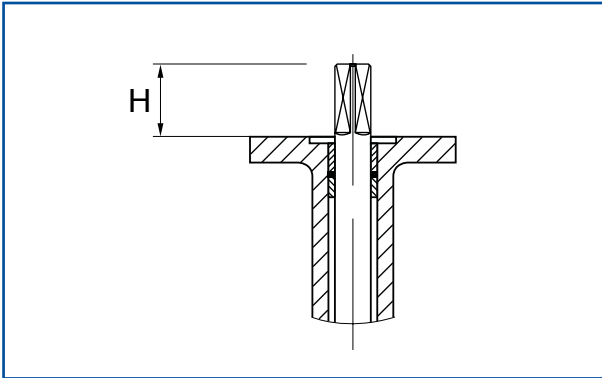
### VF-555T



SIZE	DIMENSIONS VF-555T LUG																	Weight	
	DN	A	B	D	L	H	ANSI 150		DIN PN 10		DIN PN 16		GEAR						
							øG	n-ød	øG	n-ød	øG	n-ød	P	Q	R	E	F		G
50	60	138	153	47	32	120,5	4-5/8"	125	4-M16	125	4-M16	52	45	74	52	153	75	150	5
65	70	142	155	50	32	139,5	4-5/8"	145	4-M16	145	4-M16	52	45	74	52	153	75	150	6
80	84	142	180	50	32	152,5	4-5/8"	160	4-M16	160	8-M16	52	45	74	52	153	75	150	7
100	102	161	205	55,5	32	190,5	8-5/8"	180	8-M16	180	8-M16	52	45	74	52	153	75	150	8
125	122	180	240	59	32	216	8-3/4"	210	8-M16	210	8-M16	52	45	74	52	153	75	150	13
150	134	186	265	59	32	241,5	8-3/4"	240	8-M20	240	8-M20	52	45	74	52	153	75	150	17
200	165	234	320	63	32	298,5	8-3/4"	295	8-M20	295	12-M20	75	63	101	75	250	86	285	30
250	194	273	385	73	45	362	12-7/8"	350	12-M20	355	12-M24	75	63	101	75	250	86	285	38
300	224	302	450	81	45	432	12-7/8"	400	12-M20	410	12-M24	81	80	118	81	227	83	285	48

La documentazione tecnica è aggiornata alla data dell'edizione; le caratteristiche tecniche si intendono a titolo puramente indicativo e non vincolante. Possibili modifiche al prodotto possono essere realizzate senza obbligo di preavviso.

### ISO 5211 UPPER FLANGE - TORQUE - CV



SIZE		TORQUE Nm			Upper flange dimensions					ISO 5211
		PN6	PN10	PN16	H	K	E	N-øL	PxP	
DN 50	2"	20	35	43	32	65	50	4-6	9x9	F05
DN 65	2 1/2"	35	40	55	32	65	50	4-6	9x9	F05
DN 80	3"	40	55	70	32	65	50	4-6	9x9	F05
DN 100	4"	65	85	90	32	90	70	4-8	11x11	F05
DN 125	5"	80	130	155	32	90	70	4-8	14x14	F07
DN 150	6"	130	160	200	32	90	70	4-8	14x14	F07
DN 200	8"	250	350	-	32	125	102	4-10	17x17	F10
DN 250	10"	350	400	-	45	125	102	4-10	22x22	F10
DN 300	12"	460	580	-	45	125	102	4-10	22x22	F10

To calculate the correct coupling with actuators please contact our technical department

### CV VALUES

DN	OPENING POSITION								
	10°	20°	30°	40°	50°	60°	70°	80°	90°
50	0,1	4,5	12	24	45	60	90	120	130
65	0,2	6,5	20	38	65	90	140	200	210
80	0,3	10	22	40	70	115	180	275	300
100	0,5	17	36	75	135	230	350	520	600
125	0,8	28	60	130	231	385	620	920	1000
150	1,8	40	95	201	356	600	950	1400	1500
200	3	85	188	401	715	1200	1900	2810	3000
250	4	150	312	684	1254	1980	3200	4831	5200
300	5	230	465	1001	1810	3000	5000	7500	8180

CV = U.S. gallon/min at pressure of 1 psi with water at 20°C

CV = 1,17 Kv, Kv = m³/h at pressure of 1 kg/cm² with water at 20°C

# BUTTERFLY VALVES

VF-535T / VF-555T

## SUGGESTED BOLTS FOR UNI PN 10/16 FLANGES

SIZE	Art. VF535T			Art. VF555T	
	Quantity	BOLTS (screw+nut)	TIE-RODS	Quantity	SCREWS
DN50	4	M16 x 110	M16 x 140	8	M16 x 35
DN65	4	M16 x 110	M16 x 140	8	M16 x 40
DN80	4	M16 x 120	M16 x 150	16	M16 x 40
DN100	8	M16 x 120	M16 x 150	16	M16 x 45
DN125	8	M16 x 130	M16 x 160	16	M16 x 50
DN150	8	M20 x 130	M20 x 170	16	M20 x 50
DN200 PN10	8	M20 x 140	M20 x 180	16	M20 x 55
DN200 PN16	12	M20 x 140	M20 x 180	24	M20 x 55
DN250 PN10	12	M20 x 160	M20 x 190	24	M20 x 65
DN250 PN16	12	M22 x 160	M22 x 190	24	M24 x 65
DN300 PN10	12	M20 x 170	M20 x 200	24	M20 x 70
DN300 PN16	12	M22 x 170	M22 x 210	24	M24 x 70



**Electrical or pneumatic actuators**, positioners, limit switches, solenoid valves and other equipments. Assembled on VALSAR butterfly valves.

# ARA<sup>®</sup>

## PNEUMATIK

ul. Wyscigowa 38, 53-012 Wrocław  
tel. 71 364 72 82, ara@arapneumatik.pl

[www.arapneumatik.pl](http://www.arapneumatik.pl)

