

BUTTERFLY VALVES

VF-635T / VF-655T

CE Ex II 2 G/D T.F. 02



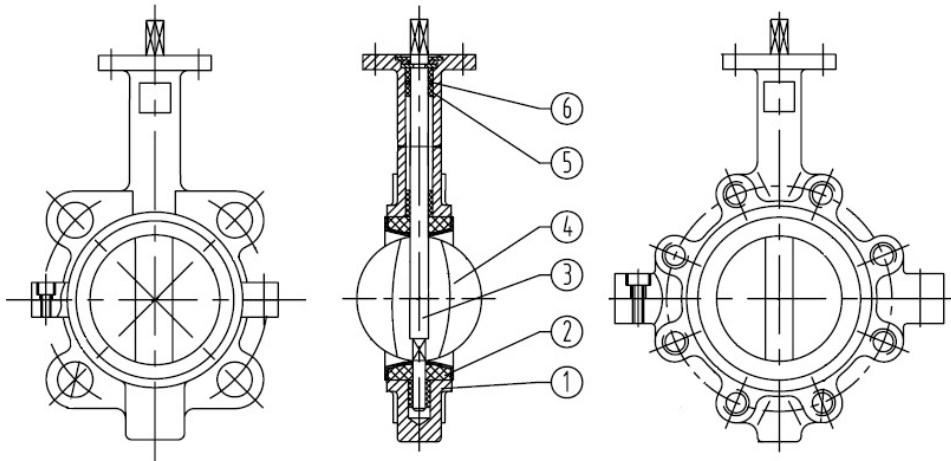
Wafer butterfly valves, used for aggressive and corrosive fluid with particular design of PTFE liner and stainless steel disc or stainless steel disc + PFA.

Certificate AT.EX. for zone 1 and 21

Available types

- art. VF-635T wafer
- art. VF-655T lug

VF-635T / VF-655T



N°	PARTS	MATERIALS	SPECIFICATION	DETAIL
1	BODY	GHISA SFEROIDALE	GGG 50	-
2	SEAT	PTFE	-	Working temperature (*): -20°C / +120°C (PTFE wiht EPDM back seat) -20°C / +180°C (PTFE wiht FKM back seat)
3	STEM	ACCIAIO INOX	AISI 316	-
4	DISC	ACCIAIO INOX / ACCIAIO INOX + PFA	ASTM A351 CF8M	-
5	BUSHING	PTFE	-	-
6	O-RING	FKM	-	-

(* Working temperature must always be related to working pressure and chemical composition of fluid

ARA[®]
PNEUMATIK
ul. Wyścigowa 38, 53-012 Wrocław
tel. 71 364 72 82, ara@arapneumatik.pl
www.arapneumatik.pl



BUTTERFLY VALVES

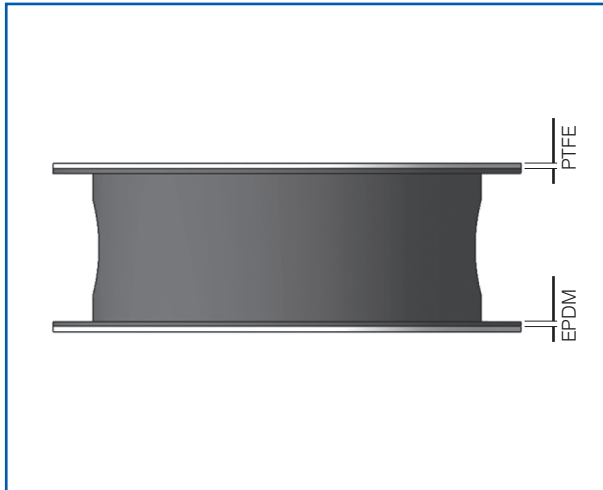
VF-635T / VF-655T

CE Ex II 2 G/D T.F. 02

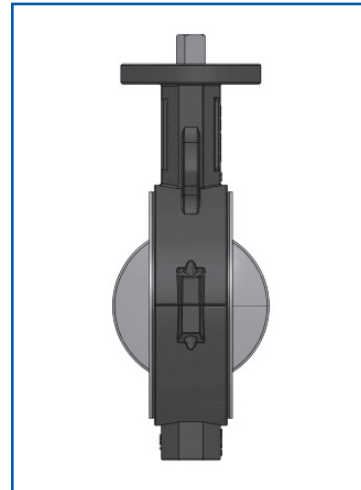
Technical details

- Two-pieces epoxy painted body
- Face to face according to EN558-20
- ISO 5211 upper flange for mounting of electrical or pneumatic actuator
- Valve are suitable for UNI PN 10/16 or ANSI 150 welding neck or slip-on flanges
- Lever operated from DN 40 to DN 150, gear operated from DN 200 to DN 300
- Working pressure: 16 bar (DN 40-150), 10 bar (DN 200-300)
- Hydraulic tests according to API 598:
 - Seat: 18 bar (DN 40-150), 11 bar (DN 200-300)
 - Body: 24 bar (DN 40-150), 15 bar (DN 200-300)
- Pneumatic seat test at 6 bar

PTFE THICKNESS

**SEAT**

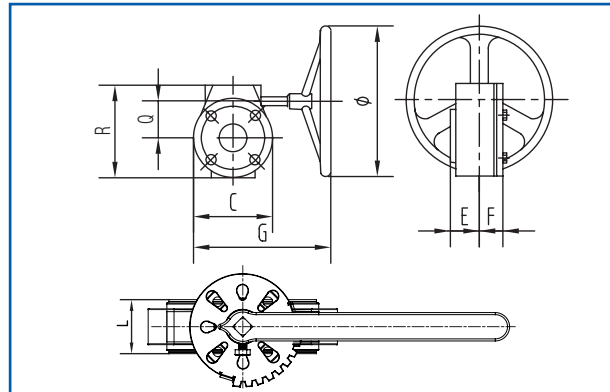
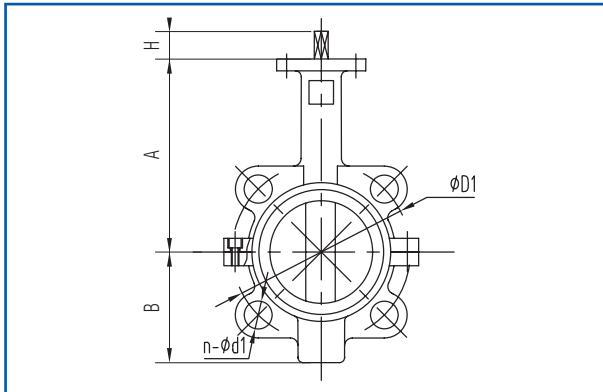
DN	PTFE thickness (mm)
40	1.2 ~ 1.3
50	1.2 ~ 1.3
65	1.2 ~ 1.3
80	1.3 ~ 1.5
100	1.3 ~ 1.5
125	1.4 ~ 1.5
150	1.4 ~ 1.5
200	1.5 ~ 1.6
250	1.6 ~ 1.8
300	1.6 ~ 1.8

**PFA THICKNESS**

DN	PFA thickness (mm)
40	0.1 ~ 0.15
50	0.1 ~ 0.15
65	0.1 ~ 0.15
80	0.1 ~ 0.15
100	0.1 ~ 0.15
125	0.1 ~ 0.15
150	0.1 ~ 0.15
200	0.1 ~ 0.15
250	0.1 ~ 0.15
300	0.1 ~ 0.15

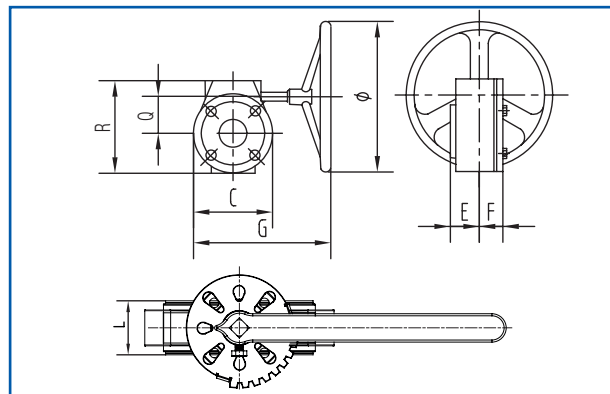
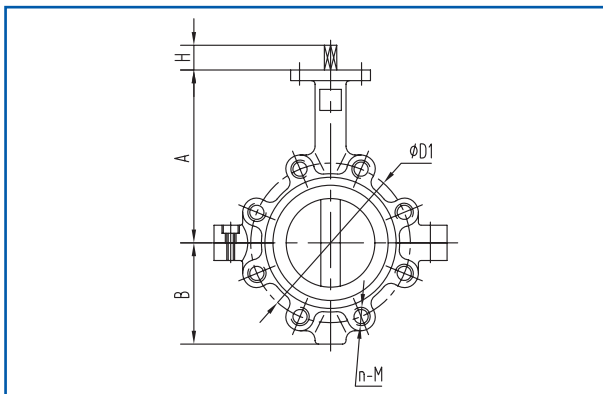
DIMENSIONS

VF-635T



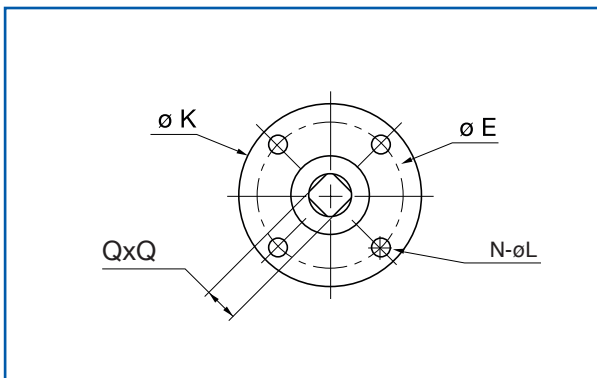
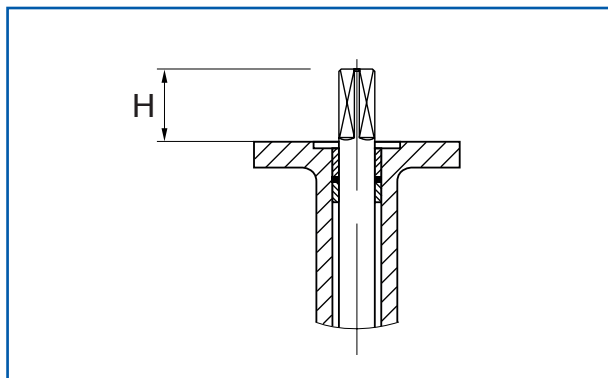
SIZE	DIMENSIONS VF-635T WAFER																	WEIGHT	
	DN	A	B	L	H	ANSI 150		DIN PN 10		DIN PN 16		GEAR OPERATOR							kg
						øD1	n-ød1	øD1	n-ød1	øD1	n-ød1	C	Q	R	E	F	G		
40	145	75	33	32	98,5	4-16	110	4-18	110	4-18	105	45	128	36	28	226	150	3.2	
50	161	80	42	32	120,5	4-19	125	4-18	125	4-18	105	45	128	36	28	226	150	3.75	
65	175	89	44,7	32	139,5	4-19	145	4-18	145	4-18	105	45	128	36	28	226	150	4.75	
80	181	95	45,2	32	152,5	4-19	160	4-18	160	8-18	105	45	128	36	28	226	150	5	
100	200	114	52,1	32	190,5	8-19	180	8-18	180	8-18	105	45	128	36	28	226	150	6.75	
125	213	127	54,4	32	216	8-22	210	8-18	210	8-18	105	45	128	36	28	226	150	9	
150	226	139	55,8	32	241,5	8-22	240	8-23	240	8-23	105	45	128	36	28	226	150	10	
200	260	175	60,6	41	298,5	8-22	295	8-23	295	12-23	152	63	179	46	34	313	300	17.5	
250	292	203	65,6	41	362	12-25	350	12-23	355	12-27	152	63	179	46	34	313	300	25	
300	337	242	76,9	41	432	12-25	400	12-23	410	12-27	164	78	200	46	36	307	300	36	

VF-655T



SIZE	DIMENSIONS VF-655T LUG																	WEIGHT	
	DN	A	B	L	H	ANSI 150		DIN PN 10		DIN PN 16		GEAR OPERATOR							kg
						øD1	n-øM	øD1	n-ød1	øD1	n-ød1	C	Q	R	E	F	G		
40	145	75	33	32	98,5	4-16	110	4-18	110	4-18	105	45	128	36	28	226	150	4.2	
50	161	80	42	32	120,5	4-19	125	4-18	125	4-18	105	45	128	36	28	226	150	4.75	
65	175	89	44,7	32	139,5	4-19	145	4-18	145	4-18	105	45	128	36	28	226	150	6	
80	181	95	45,2	32	152,5	4-19	160	4-18	160	8-18	105	45	128	36	28	226	150	6.2	
100	200	114	52,1	32	190,5	8-19	180	8-18	180	8-18	105	45	128	36	28	226	150	10	
125	213	127	54,4	32	216	8-22	210	8-18	210	8-18	105	45	128	36	28	226	150	12.15	
150	226	139	55,8	32	241,5	8-22	240	8-23	240	8-23	105	45	128	36	28	226	150	14.5	
200	260	175	60,6	41	298,5	8-22	295	8-23	295	12-23	152	63	179	46	34	313	300	23	
250	292	203	65,6	41	362	12-25	350	12-23	355	12-27	152	63	179	46	34	313	300	34	
300	337	242	76,9	41	432	12-25	400	12-23	410	12-27	164	78	200	46	36	307	300	50	

ISO 5211 UPPER FLANGE - TORQUE - CV



SIZE		TORQUE Nm			Upper flange dimensions					ISO 5211
		PN6	PN10	PN16	H	K	E	N-øL	QxQ	
DN 40	1.1/2"	29	31	32	32	77	50	4-7	9x9	F05
DN 50	2"	37	39	40	32	90	70	4-9	11x11	F07
DN 65	2 1/2"	46	49	53	32	90	70	4-9	11x11	F07
DN 80	3"	70	75	79	32	90	70	4-9	11x11	F07
DN 100	4"	107	119	122	32	90	70	4-9	11x11	F07
DN 125	5"	159	175	182	32	90	70	4-9	14x14	F07
DN 150	6"	250	278	297	32	90	70	4-9	14x14	F07
DN 200	8"	441	494	535	45	125	102	4-12	17x17	F10
DN 250	10"	683	790	875	45	125	102	4-12	22x22	F10
DN 300	12"	957	1132	1258	45	140	102	4-12	22x22	F10

To calculate the correct coupling with actuators please contact our technical department

CV VALUES

DN	OPENING ANGLE OF VALVE								
	10°	20°	30°	40°	50°	60°	70°	80°	90°
40	0,01	1	5	12	20	29	35	40	47
50	0,1	5	12	24	45	64	90	125	135
65	0,2	8	20	37	65	98	144	204	220
80	0,3	12	22	39	70	116	183	275	302
100	0,5	17	36	78	139	230	364	546	600
125	0,8	29	61	133	237	392	620	930	1022
150	2	45	95	205	366	605	958	1437	2579
200	3	89	188	405	727	1202	1903	2854	3136
250	4	151	320	694	1237	2047	3240	4859	5340
300	5	234	495	1072	1911	3162	5005	7505	8250

CV = U.S. gallon/min at pressure of 1 psi with water at 20°C

CV = 1,17 Kv, dove Kv = m³/h at pressure of 1 kg/cm² with water at 20°C

SUGGESTED BOLTS FOR UNI PN 10/16 FLANGES

SIZE	Art. VF635T			Art. VF655T	
	Quantity	BOLTS (screw+nut)	TIE-RODS	Quantity	BOLTS
DN40	4	M16 x 110	M16 x 140	8	M16 x 35
DN50	4	M16 x 110	M16 x 140	8	M16 x 35
DN65	4	M16 x 110	M16 x 140	8	M16 x 40
DN80	4	M16 x 120	M16 x 150	16	M16 x 40
DN100	8	M16 x 120	M16 x 150	16	M16 x 45
DN125	8	M16 x 130	M16 x 160	16	M16 x 50
DN150	8	M20 x 130	M20x 170	16	M20 X 50
DN200 PN10	8	M20 x 140	M20 x 180	16	M20 x 55
DN200 PN16	12	M20 x 140	M20 x 180	24	M20 x 55
DN250 PN10	12	M20 x 160	M20 x 190	24	M20 x 65
DN250 PN16	12	M22 x 160	M22 x 190	24	M24 x 65
DN300 PN10	12	M20 x 170	M20 x 200	24	M20 x 70
DN300 PN16	12	M22 x 170	M22 x 210	24	M24 x 70



Electrical or pneumatic actuators, positioners, limit switches, solenoid valves and other equipments. Assembled on VALSAR butterfly valves.

ARA[®]
PNEUMATIK

ul. Wyścigowa 38, 53-012 Wrocław
tel. 71 364 72 82, ara@arapneumatik.pl
www.arapneumatik.pl

