

Order chart - Viking Xtreme air pilot & manual valves - Xtreme operating pressure / temperature

<table border="1" style="width: 100%; border-collapse: collapse;"> <tr> <td style="width: 30px; text-align: center;">P</td> <td style="width: 30px; text-align: center;">2</td> <td style="width: 30px; text-align: center;">L</td> </tr> </table> <table border="1" style="width: 100%; border-collapse: collapse;"> <tr> <th style="width: 50%;">Valve family</th> </tr> <tr> <td>P2L Viking inline valve</td> </tr> </table> <table border="1" style="width: 100%; border-collapse: collapse;"> <tr> <th style="width: 30%;">Size</th> <th style="width: 70%;">Size</th> </tr> <tr> <td style="text-align: center;">A</td> <td>1/8</td> </tr> <tr> <td style="text-align: center;">B</td> <td>1/4</td> </tr> <tr> <td style="text-align: center;">C</td> <td>3/8</td> </tr> <tr> <td style="text-align: center;">D</td> <td>1/2</td> </tr> </table> <table border="1" style="width: 100%; border-collapse: collapse;"> <tr> <th style="width: 50%;">Version</th> </tr> <tr> <td style="text-align: center;">X Xtreme duty spool</td> </tr> </table> <p>* Xtreme duty spool suitable for max operating pressure 16 bar. (P2LAX + P2LBX) 12 bar (P2LCX + P2LDX) Temperature range -40°C to +60°C</p>	P	2	L	Valve family	P2L Viking inline valve	Size	Size	A	1/8	B	1/4	C	3/8	D	1/2	Version	X Xtreme duty spool	<table border="1" style="width: 100%; border-collapse: collapse;"> <tr> <td style="width: 30px; text-align: center;">A</td> <td style="width: 30px; text-align: center;">X</td> <td style="width: 30px; text-align: center;">5</td> </tr> </table> <table border="1" style="width: 100%; border-collapse: collapse;"> <tr> <td style="width: 30px; text-align: center;">1</td> <td style="width: 30px; text-align: center;">1</td> </tr> </table> <table border="1" style="width: 100%; border-collapse: collapse;"> <tr> <th style="width: 50%;">Port thread</th> </tr> <tr> <td>11 G1/8</td> </tr> <tr> <td>12 G1/4</td> </tr> <tr> <td>13 G3/8</td> </tr> <tr> <td>14 G1/2</td> </tr> <tr> <td>91 1/8 NPT</td> </tr> <tr> <td>92 1/4 NPT</td> </tr> <tr> <td>93 3/8 NPT</td> </tr> <tr> <td>94 1/2 NPT</td> </tr> <tr> <td>1N * Namur G1/4</td> </tr> <tr> <td>9N * Namur 1/4 NPT</td> </tr> </table> <p>* Not available in 3/2 version</p>	A	X	5	1	1	Port thread	11 G1/8	12 G1/4	13 G3/8	14 G1/2	91 1/8 NPT	92 1/4 NPT	93 3/8 NPT	94 1/2 NPT	1N * Namur G1/4	9N * Namur 1/4 NPT	<table border="1" style="width: 100%; border-collapse: collapse;"> <tr> <td style="width: 30px; text-align: center;">P</td> <td style="width: 30px; text-align: center;">S</td> </tr> </table> <table border="1" style="width: 100%; border-collapse: collapse;"> <tr> <th style="width: 50%;">Valve type function</th> </tr> <tr> <td>Manual and pneumatic operated</td> </tr> <tr> <td>3 3/2 valve</td> </tr> <tr> <td>5 5/2 valve</td> </tr> <tr> <td>6 5/3 valve closed centre position</td> </tr> <tr> <td>7 5/3 valve pressurised centre</td> </tr> <tr> <td>8 5/3 valve vented centre</td> </tr> </table> <table border="1" style="width: 100%; border-collapse: collapse;"> <tr> <th style="width: 50%;">Pilot main actuator/return</th> </tr> <tr> <td>J *** Rotary button - 2 positions</td> </tr> <tr> <td>P Air signal</td> </tr> <tr> <td>S Spring (return only)</td> </tr> <tr> <td>V Lever, 2 positions, 90° to ports</td> </tr> <tr> <td>1 ** Lever, 3 positions self centred, 90° to ports</td> </tr> <tr> <td>2 ** Lever, held 3 positions, 90° to ports</td> </tr> <tr> <td>7 *** Rotary button - 3 positions held in position</td> </tr> </table> <p>** Not available in 3/2 version *** Only Available with port threads G1/4 and 1/4 NPT</p>	P	S	Valve type function	Manual and pneumatic operated	3 3/2 valve	5 5/2 valve	6 5/3 valve closed centre position	7 5/3 valve pressurised centre	8 5/3 valve vented centre	Pilot main actuator/return	J *** Rotary button - 2 positions	P Air signal	S Spring (return only)	V Lever, 2 positions, 90° to ports	1 ** Lever, 3 positions self centred, 90° to ports	2 ** Lever, held 3 positions, 90° to ports	7 *** Rotary button - 3 positions held in position
P	2	L																																																		
Valve family																																																				
P2L Viking inline valve																																																				
Size	Size																																																			
A	1/8																																																			
B	1/4																																																			
C	3/8																																																			
D	1/2																																																			
Version																																																				
X Xtreme duty spool																																																				
A	X	5																																																		
1	1																																																			
Port thread																																																				
11 G1/8																																																				
12 G1/4																																																				
13 G3/8																																																				
14 G1/2																																																				
91 1/8 NPT																																																				
92 1/4 NPT																																																				
93 3/8 NPT																																																				
94 1/2 NPT																																																				
1N * Namur G1/4																																																				
9N * Namur 1/4 NPT																																																				
P	S																																																			
Valve type function																																																				
Manual and pneumatic operated																																																				
3 3/2 valve																																																				
5 5/2 valve																																																				
6 5/3 valve closed centre position																																																				
7 5/3 valve pressurised centre																																																				
8 5/3 valve vented centre																																																				
Pilot main actuator/return																																																				
J *** Rotary button - 2 positions																																																				
P Air signal																																																				
S Spring (return only)																																																				
V Lever, 2 positions, 90° to ports																																																				
1 ** Lever, 3 positions self centred, 90° to ports																																																				
2 ** Lever, held 3 positions, 90° to ports																																																				
7 *** Rotary button - 3 positions held in position																																																				

Shaded part numbers are standard



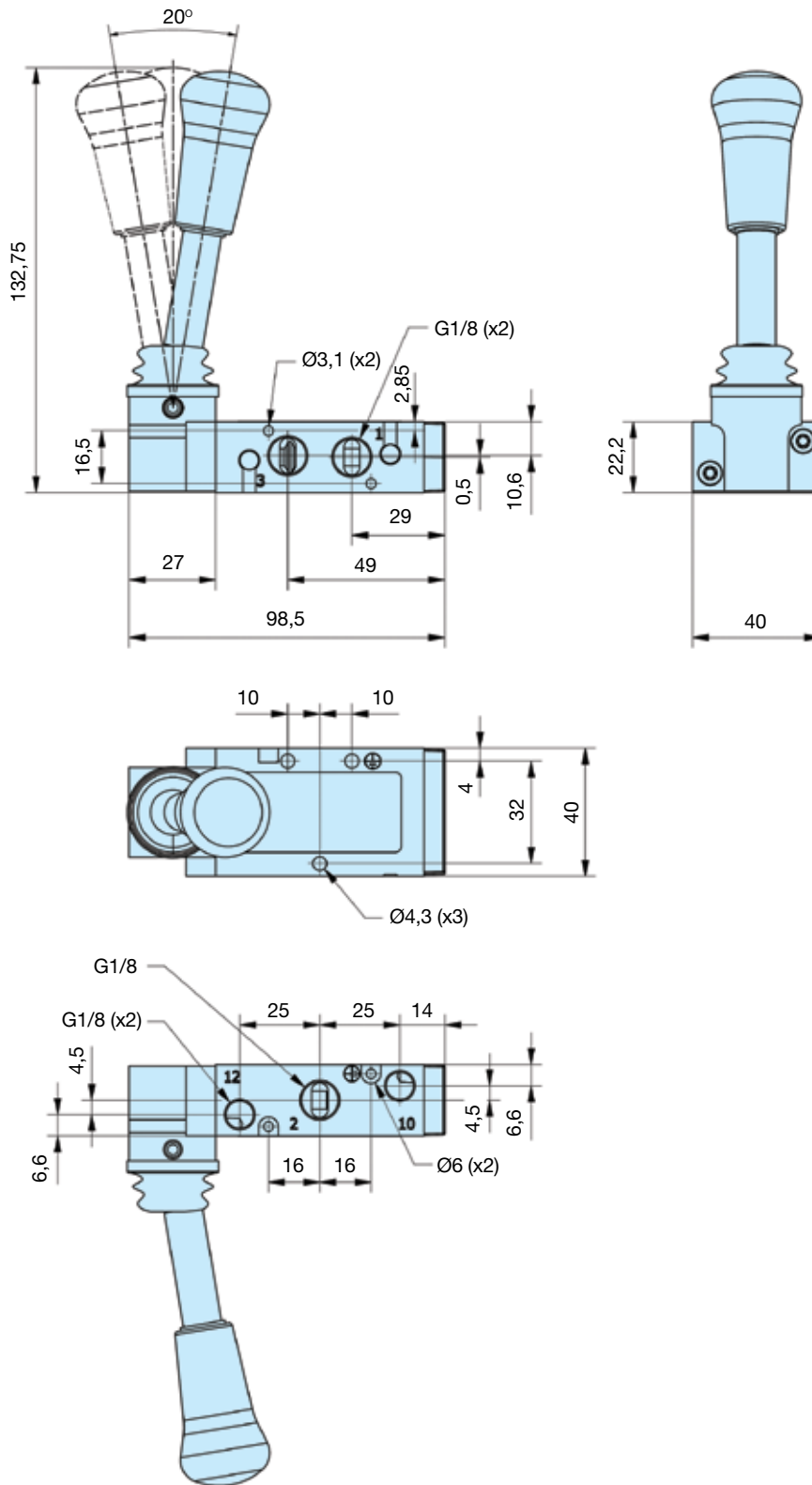
Lever operated directional control valves

Max operating pressure 16 bar (A & B) 12 bar (C & D). temp range -40°C to +60°C

Symbol	Size	Actuation	Return	Changeover angle	Changeover Force	Type	Weight Kg	Order code
3/2 valves, standard temperature / Low temperature, lever 90° to ports								
	G1/8	Lever	Lever	20°	9 N	Std.	0,33	P2LAX311VV
	G1/4	Lever	Lever	20°	9 N	Std.	0,33	P2LBX312VV
	G3/8	Lever	Lever	32°	25 N	Std.	0,40	P2LCX313VV
	G1/2	Lever	Lever	32°	25 N	Std.	0,60	P2LDX314VV
	G1/8	Lever	Spring	20°	10N	Std.	0,33	P2LAX311VS
	G1/4	Lever	Spring	20°	10N	Std.	0,33	P2LBX312VS
	G3/8	Lever	Spring	32°	15 N	Std.	0,40	P2LCX313VS
	G1/2	Lever	Spring	32°	15 N	Std.	0,60	P2LDX314VS
5/2 valves, standard temperature / Low temperature, lever 90° to ports								
	G1/8	Lever	Lever	28°	9 N	Std.	0,18	P2LAX511VV
	G1/4	Lever	Lever	20°	9 N	Std.	0,33	P2LBX512VV
	G3/8	Lever	Lever	32°	25 N	Std.	0,40	P2LCX513VV
	G1/2	Lever	Lever	32°	25 N	Std.	0,60	P2LDX514VV
	G1/8	Lever	Spring	28°	10N	Std.	0,18	P2LAX511VS
	G1/4	Lever	Spring	20°	10N	Std.	0,33	P2LBX512VS
	G3/8	Lever	Spring	32°	15 N	Std.	0,40	P2LCX513VS
	G1/2	Lever	Spring	32°	15 N	Std.	0,60	P2LDX514VS
5/3 valves, low temperature, lever 90° to ports								
	G1/8	Lever	Lever	±14°	15 N	Std.	0,18	P2LAX61122
	G1/4	Closed centre position held in three positions		±12°	15 N	Std.	0,33	P2LBX61222
	G3/8			±16°	17 N	Std.	0,71	P2LCX61322
	G1/2			±16°	17 N	Std.	0,73	P2LDX61422
	G1/8	Lever	Lever	±14°	15 N	Std.	0,18	P2LAX81122
	G1/4	Exhausted centre position held in three positions		±12°	15 N	Std.	0,33	P2LBX81222
	G3/8			±16°	17 N	Std.	0,71	P2LCX81322
	G1/2			±16°	17 N	Std.	0,73	P2LDX81422
	G1/8	Lever	Lever	±14°	15 N	Std.	0,18	P2LAX71122
	G1/4	Pressure applied centre position held in three positions		±12°	15 N	Std.	0,33	P2LBX71222
	G3/8			±16°	17 N	Std.	0,71	P2LCX71322
	G1/2			±16°	17 N	Std.	0,73	P2LDX71422
	G1/8	Lever	Lever	±14°	16 N	Std.	0,18	P2LAX61111
	G1/4	Closed centre position Self centring		±12°	16 N	Std.	0,33	P2LBX61211
	G3/8			±16°	30 N	Std.	0,71	P2LCX61311
	G1/2			±16°	30 N	Std.	0,73	P2LDX61411
	G1/8	Lever	Lever	±14°	16 N	Std.	0,18	P2LAX81111
	G1/4	Exhausted centre position Self centring		±12°	16 N	Std.	0,33	P2LBX81211
	G3/8			±16°	30 N	Std.	0,71	P2LCX81311
	G1/2			±16°	30 N	Std.	0,73	P2LDX81411
	G1/8	Lever	Lever	±14°	16 N	Std.	0,18	P2LAX71111
	G1/4	Pressure applied centre position Self centring		±12°	16 N	Std.	0,33	P2LBX71211
	G3/8			±16°	30 N	Std.	0,71	P2LCX71311
	G1/2			±16°	30 N	Std.	0,73	P2LDX71411

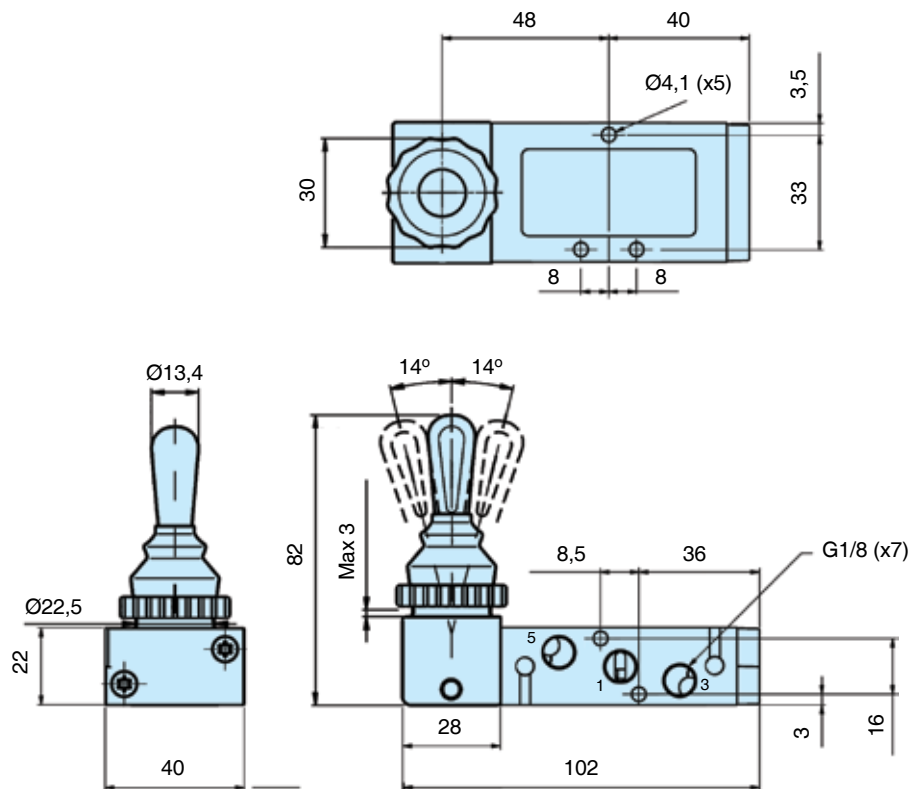
Dimensions

P2LAX - 3/2 Lever operated directional control valves



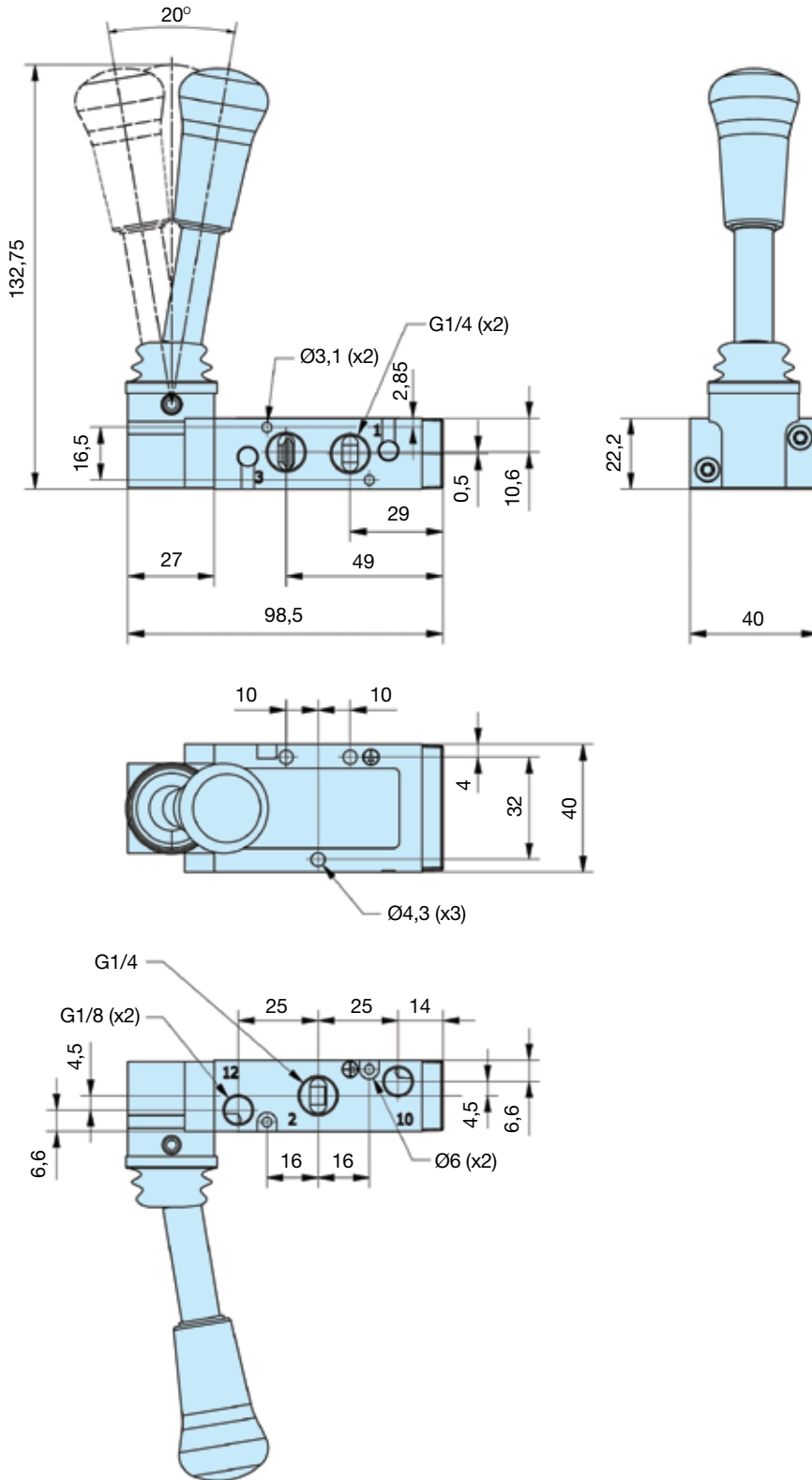
Dimensions

P2LAX - 5/2 & 5/3 Lever operated directional control valves



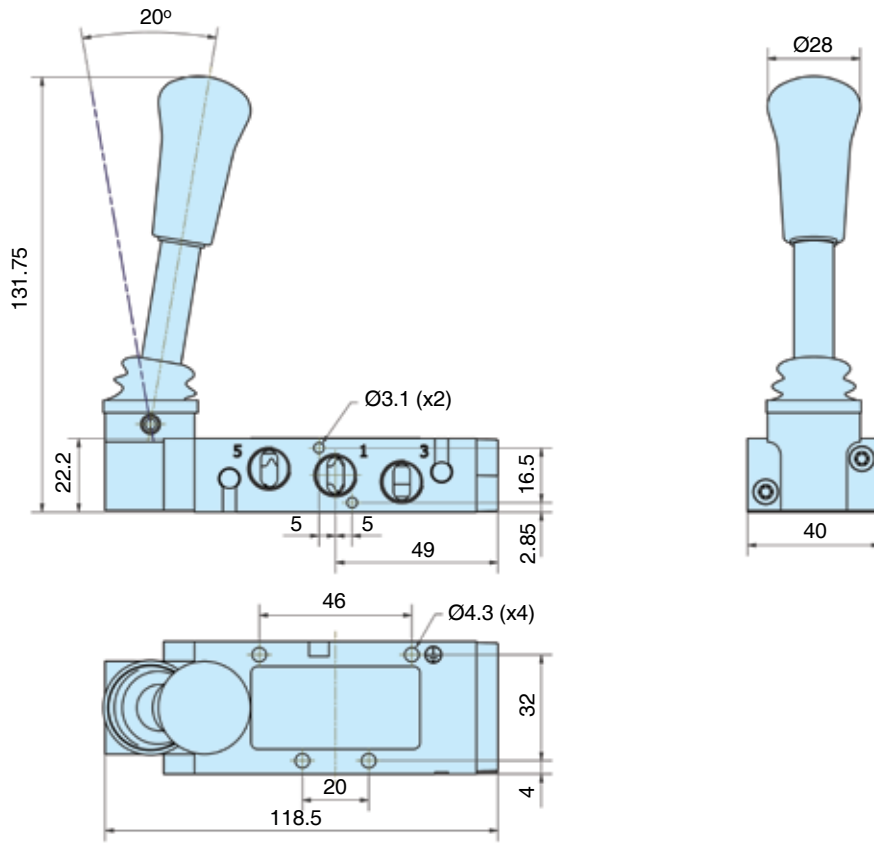
Dimensions

P2LBX - 3/2 Lever operated directional control valves

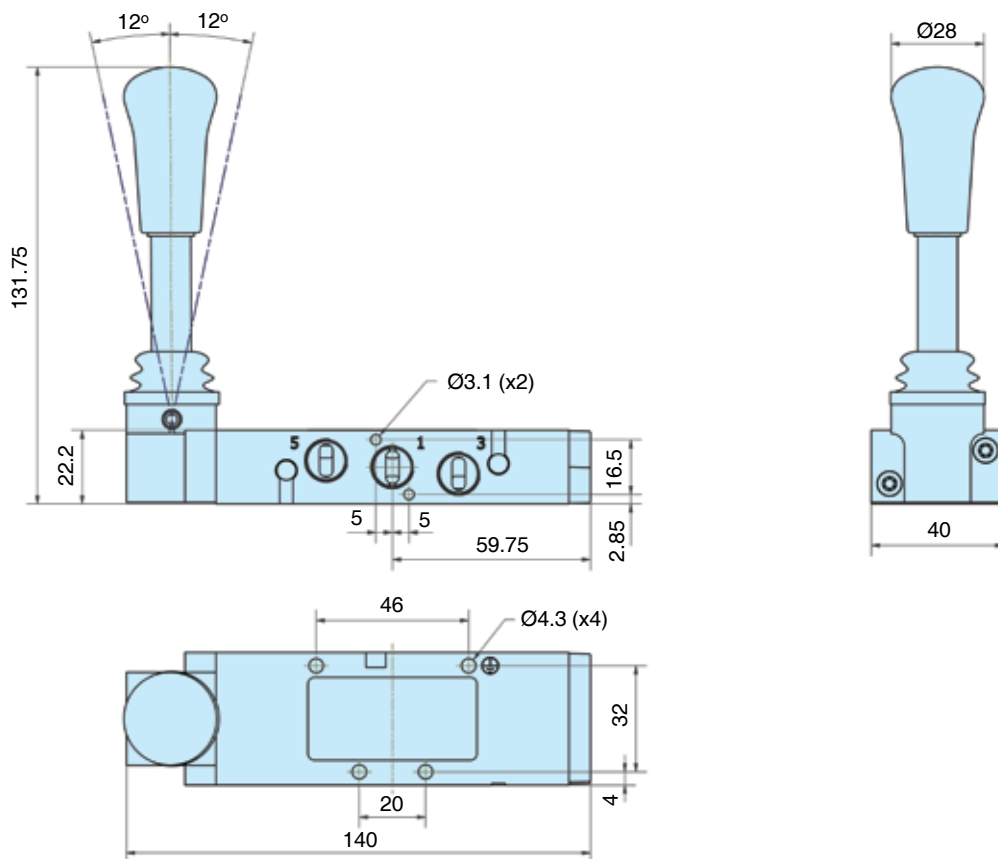


Dimensions

P2LBX - 5/2 Lever operated directional control valves

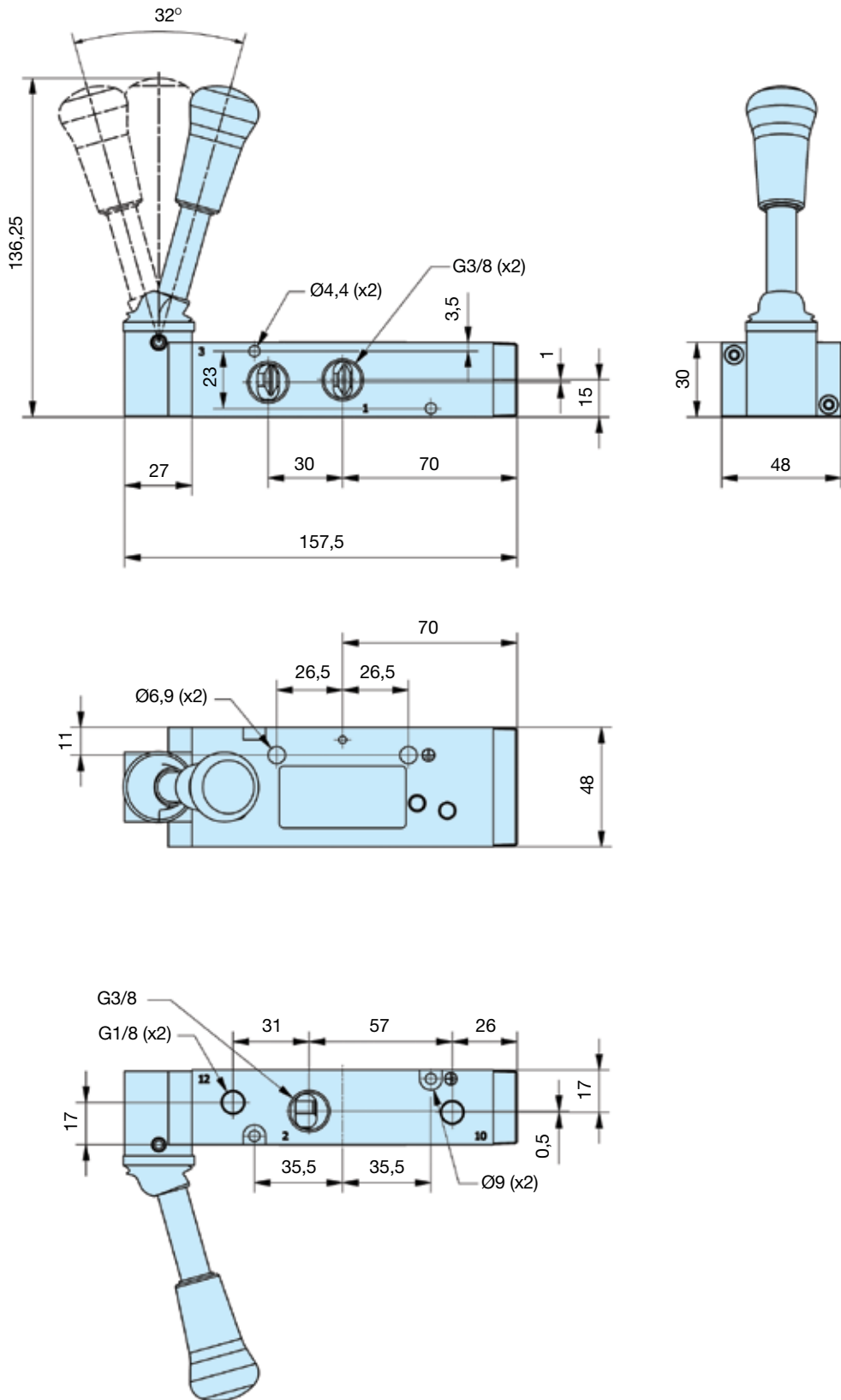


P2LBX - 5/3 Lever operated directional control valves



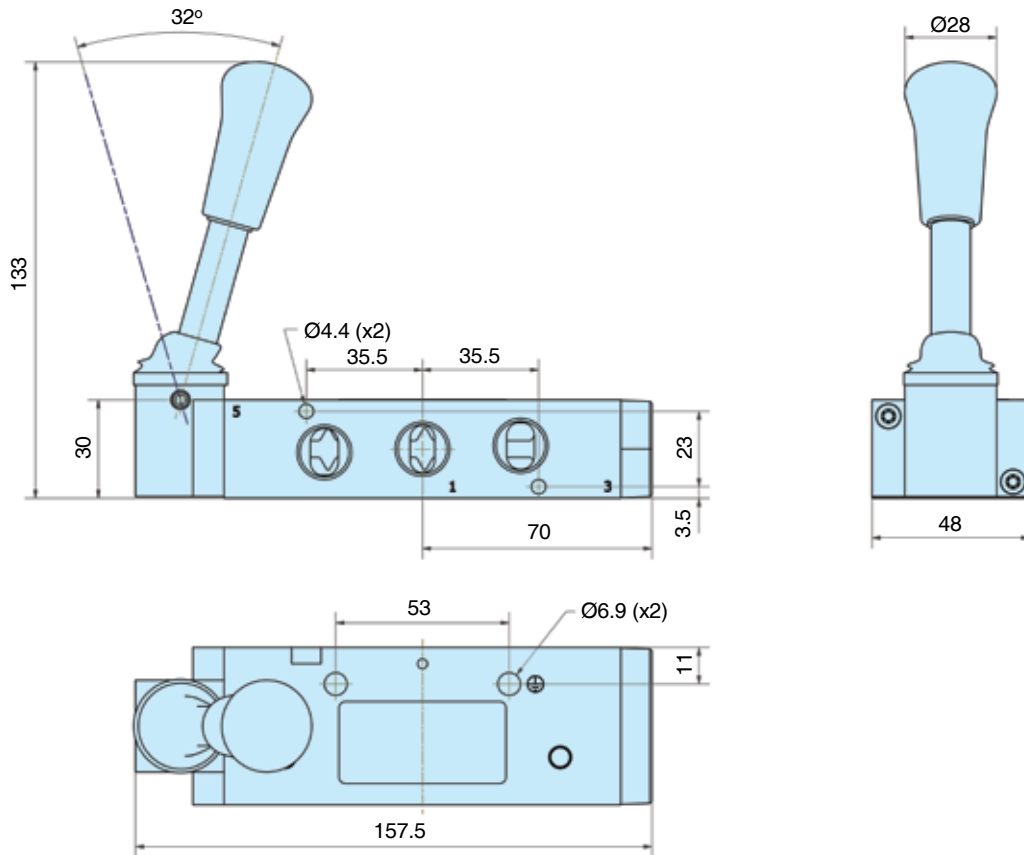
Dimensions

P2LCX - 3/2 Lever operated directional control valves

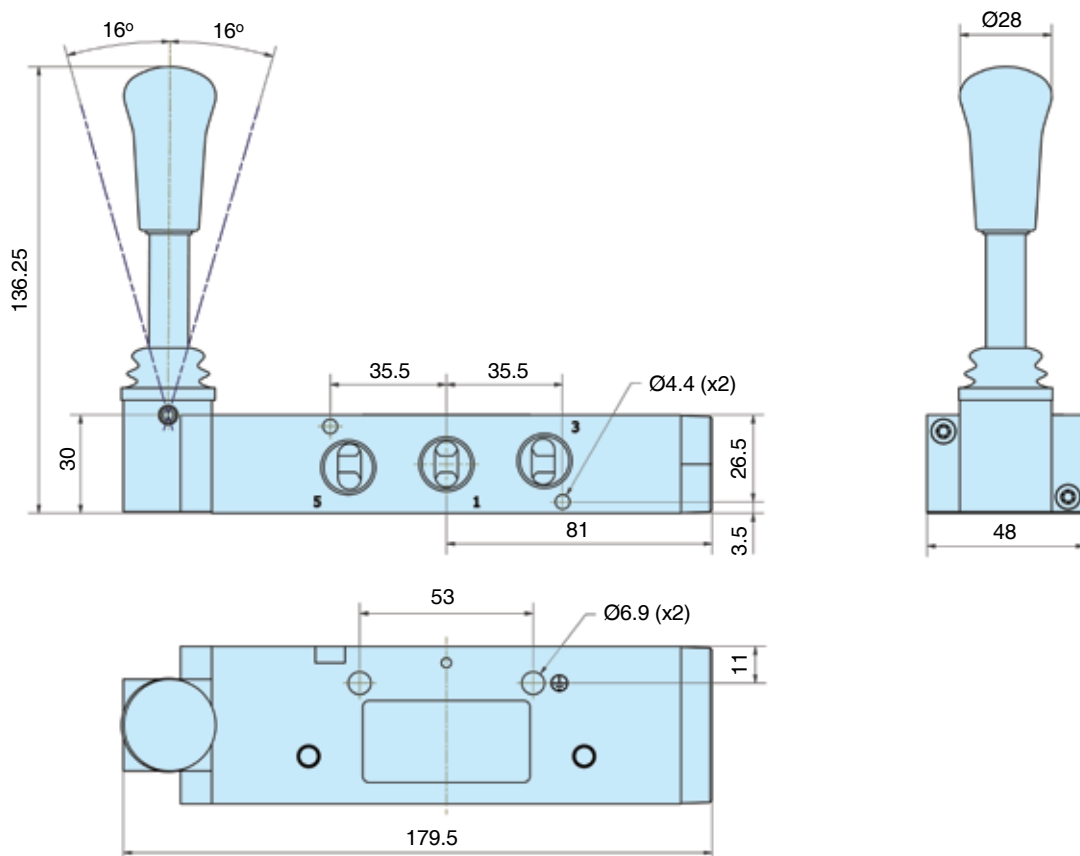


Dimensions

P2LCX - 5/2 Lever operated directional control valves

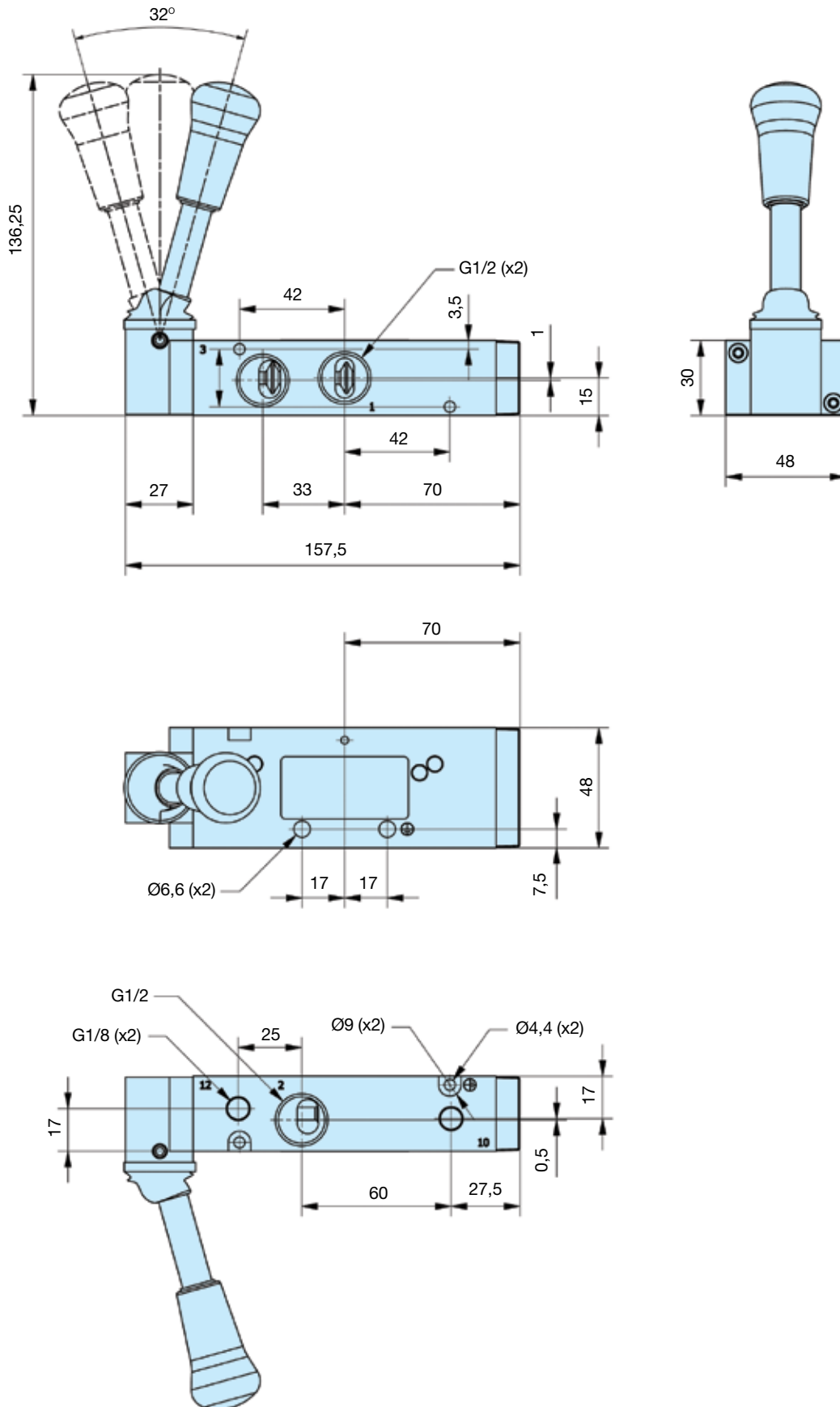


P2LCX - 5/3 Lever operated directional control valves



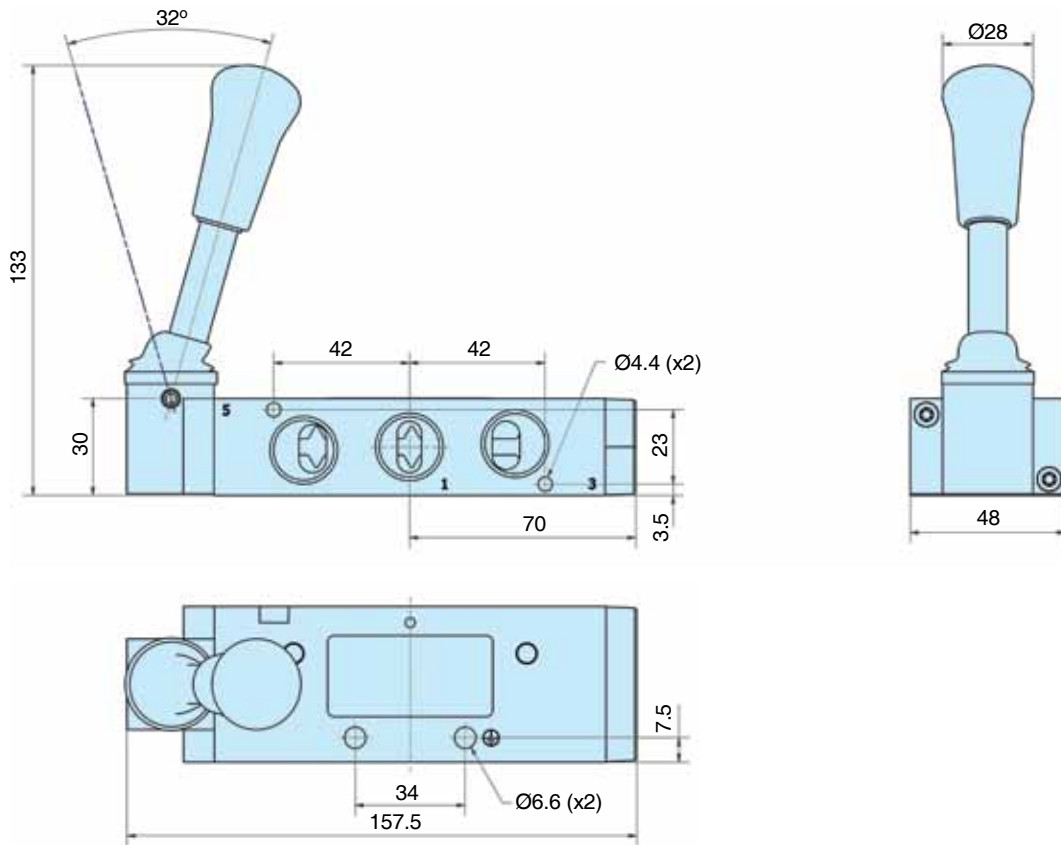
Dimensions

P2LDX - 3/2 Lever operated directional control valves

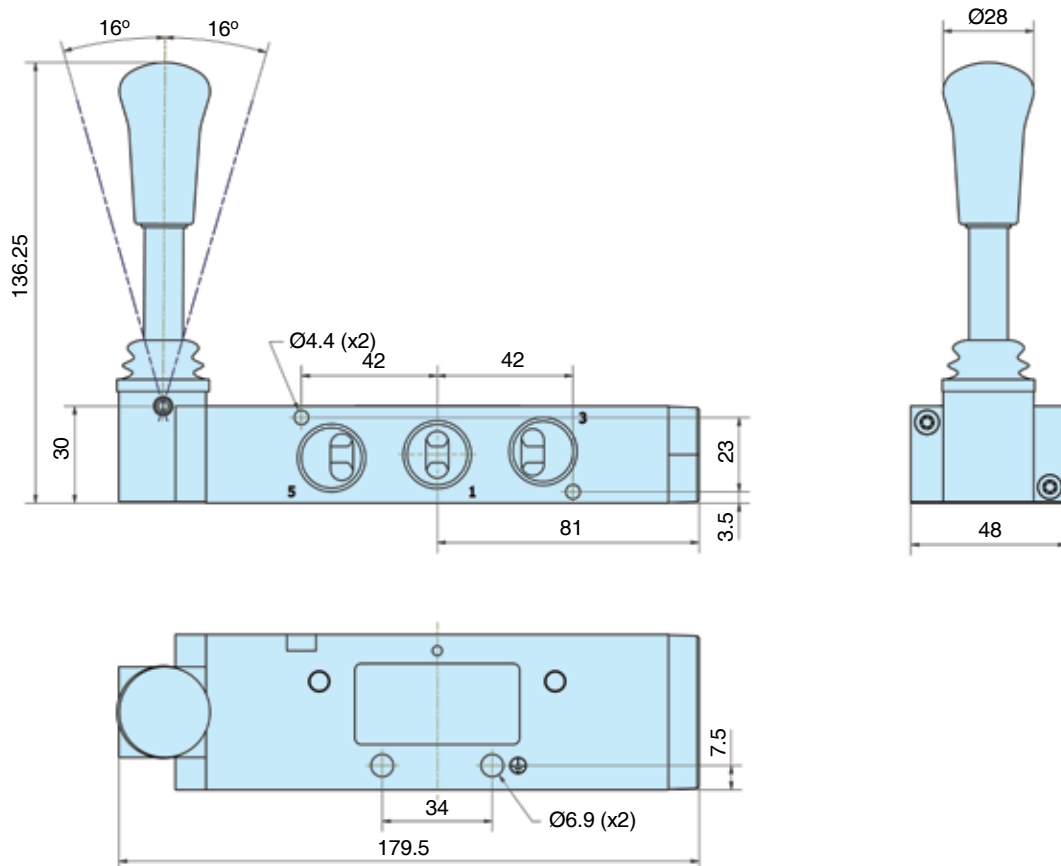


Dimensions

P2LDX - 5/2 Lever operated directional control valves



P2LDX - 5/3 Lever operated directional control valves



Pneumatic pilot operated valves - Xtreme operating pressure / temperature

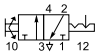
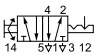
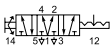
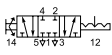
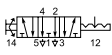
Max operating pressure 16 bar (A & B) 12 bar (C & D). temp range -40°C to +60°C

Symbol	Size	Actuation	Return	Min Operating Pressure (bar)	Changeover time (ms) at 6 bar @20°C actua./return	Weight Kg	Order code
3/2 valves, temperature -40°C to +60°C							
	G1/8	Air signal	Air signal	1,5	5/5	0,30	P2LAX311PP
	G1/4			1,5	5/5	0,30	P2LBX312PP
	G3/8			1,5	8/8	0,45	P2LCX313PP
	G1/2			1,5	9/9	0,45	P2LDX314PP
	G1/8	Air signal	Spring	3,2	8/15	0,30	P2LAX311PS
	G1/4			3,5	10/20	0,30	P2LBX312PS
	G3/8			3,5	10/30	0,45	P2LCX313PS
	G1/2			3,5	10/30	0,45	P2LDX314PS
5/2 valves, temperature -40°C to +60°C							
	G1/8	Air signal	Air signal	1,5	5/5	0,14	P2LAX511PP
	G1/4			1,5	6/6	0,30	P2LBX512PP
	G3/8			1,5	8/8	0,45	P2LCX513PP
	G1/2			1,5	9/9	0,45	P2LDX514PP
	G1/8	Air signal	Spring	3,2	8/15	0,15	P2LAX511PS
	G1/4			3,5	10/20	0,32	P2LBX512PS
	G3/8			3,5	10/30	0,45	P2LCX513PS
	G1/2			3,5	10/30	0,45	P2LDX514PS
5/3 valves, temperature -40°C to +60°C							
	G1/8	Air signal	Air signal	3,5	10/20	0,15	P2LAX611PP
	G1/4	Closed centre	Self	3,5	12/22	0,33	P2LBX612PP
	G3/8	position	centring	3,5	15/35	0,50	P2LCX613PP
	G1/2			3,5	15/35	0,50	P2LDX614PP
	G1/8	Air signal	Air signal	3,5	10/20	0,15	P2LAX811PP
	G1/4	Vented centre	Self	3,5	12/22	0,33	P2LBX812PP
	G3/8	position	centring	3,5	15/35	0,50	P2LCX813PP
	G1/2			3,5	15/35	0,50	P2LDX814PP
	G1/8	Air signal	Air signal	3,5	10/20	0,15	P2LAX711PP
	G1/4	Pressurised	Self	3,5	12/22	0,33	P2LBX712PP
	G3/8	centre	centring	3,5	15/35	0,50	P2LCX713PP
	G1/2	position		3,5	15/35	0,50	P2LDX714PP



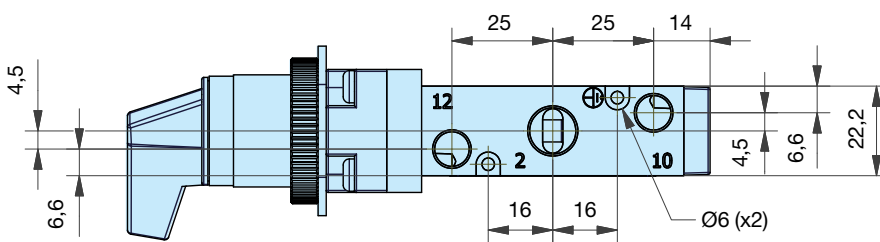
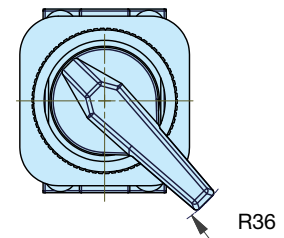
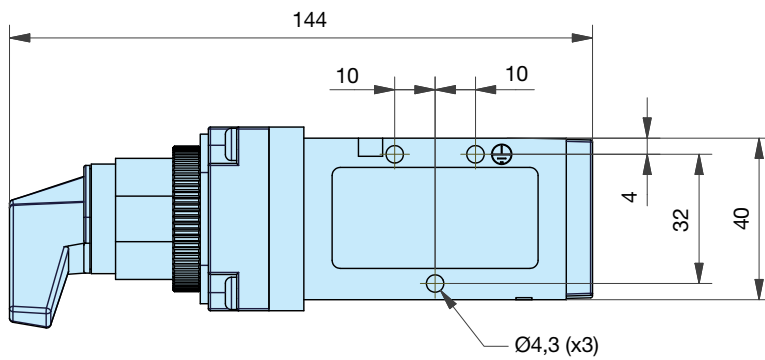
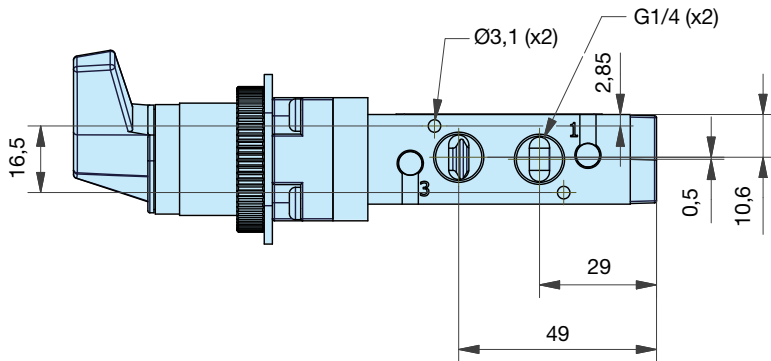
Pneumatic twist operated valves - Xtreme operating pressure / temperature

Max operating pressure 16 bar (A & B) 12 bar (C & D). temp range -40°C to +60°C

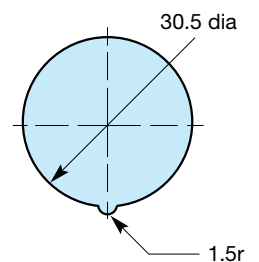
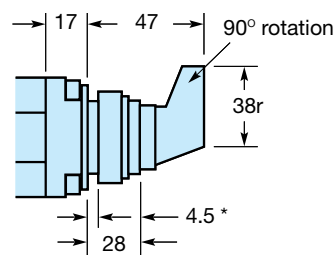
Symbol	Size	Actuation	Return	Changeover Angle	Weight Kg	Order code
3/2 valves, temperature -40°C to +60°C						
	G1/4	Twist	Twist	45	0.34	P2LBX312JJ
5/2 valves, temperature -40°C to +60°C						
	G1/4	Twist	Twist	45	0.37	P2LBX512JJ
5/3 valves, temperature -40°C to +60°C						
	G1/4	Twist	Twist	54	0.41	P2LBX71277
	G1/4	Twist	Twist	54	0.41	P2LBX61277
	G1/4	Twist	Twist	54	0.41	P2LBX81277

Dimensions

P2LBX - 3/2 Twist operated directional control valves



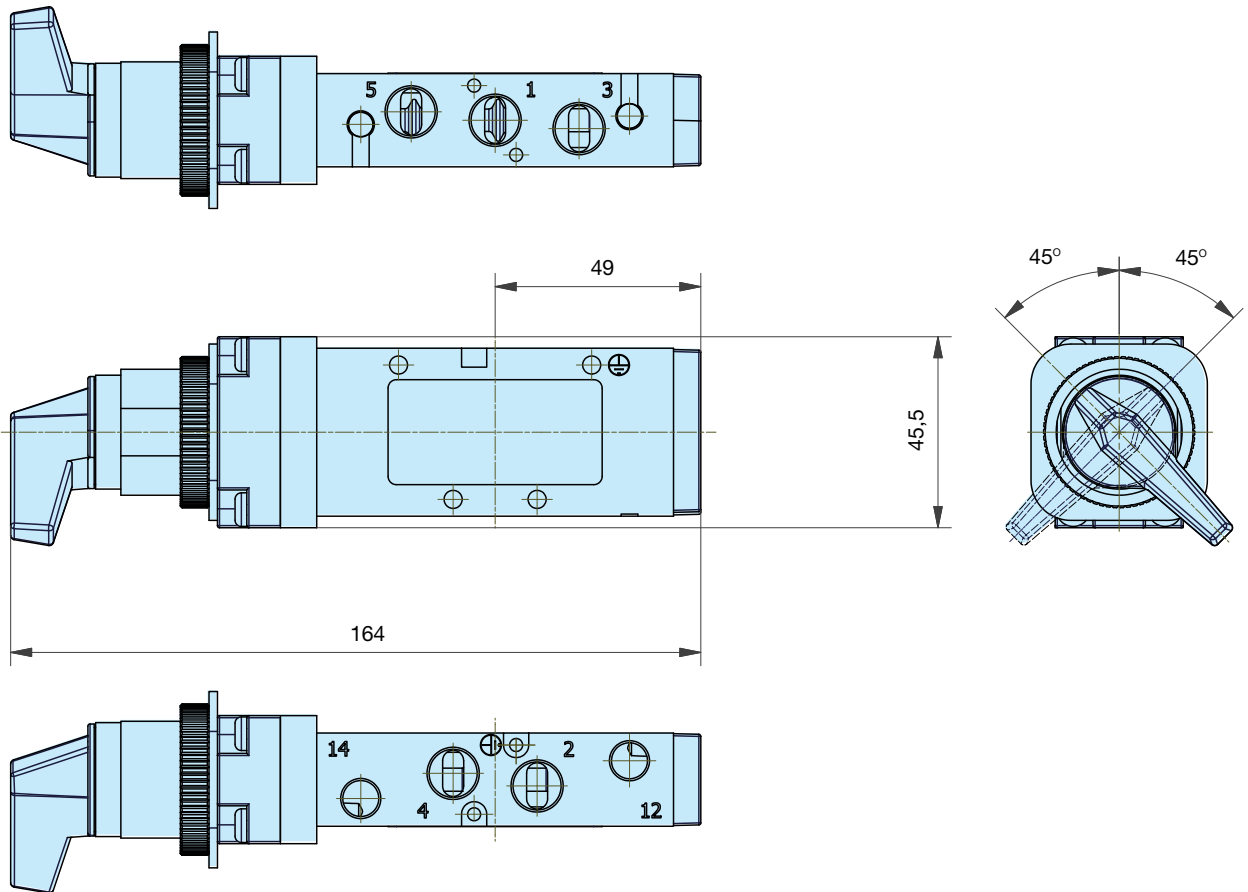
Panel cut-out details



* Max panel thickness

Dimensions

P2LBX - 5/2 Twist operated directional control valves



Dimensions

P2LBX - 5/3 Twist operated directional control valves

