

# 2/2

# VALVES FOR WATER



The Parker 2 way valves (1 way for inlet and 1 way for outlet) for water and neutral liquids are optimized constructions for liquids handling. The exclusive diaphragm design gives a superior flow rate with one of the fastest response time.

Typical applications are:

- Water and hot water supply in plumbing installations
- Breeding
- Irrigation
- Industrial washing machines
- Car washing systems
- Fire fighting

These applications can be found in many markets dealing with water and hot water like plumbing, industries, water treatment, transportation, medical, process, etc...

Actuation	Body	Function	Specification	Port Size	Orifice (mm)	MOPD (bar)	Page
Pilot Operated (No minimum pressure required)	Brass/ Pipe Mounting	Normally Closed	-	3/8" to 2"	13 to 50	20	42
			Manual override	1/2"	13	20	47
			Big Orifice / Anti water hammer / Manual override	2 1/2" to 3"	65 to 75	10	48
		Normally Open	-	3/8" to 2"	13 to 50	20	49

## ARA®

PNEUMATIK

53-012 Wrocław tel. 71 364 72 82  
ul. Wyścigowa 38 fax 71 364 72 83

[www.arapneumatik.pl](http://www.arapneumatik.pl)



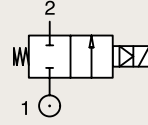
# 2/2

## VALVES FOR WATER PILOT OPERATED



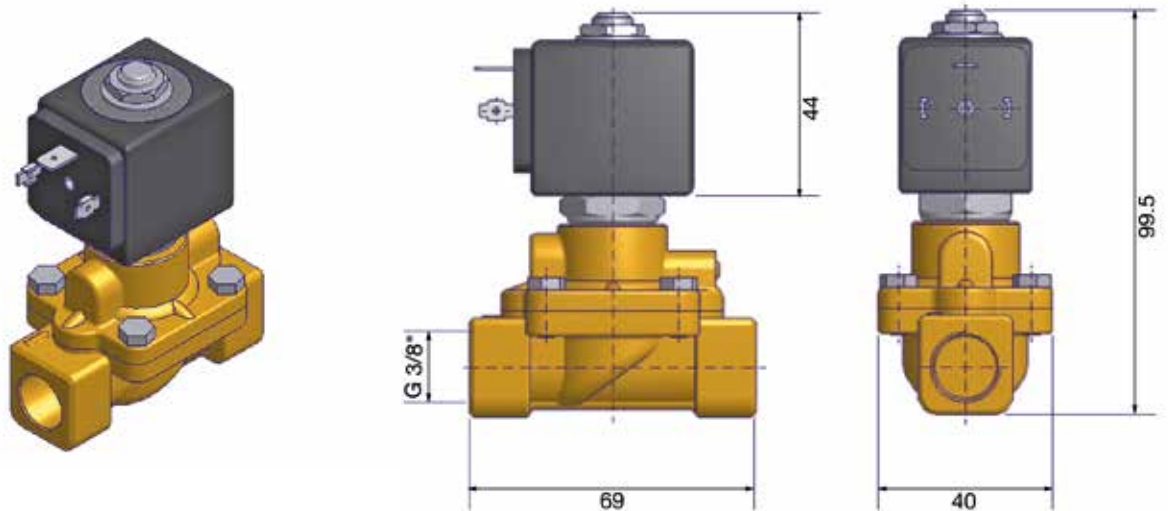
### BRASS PIPE MOUNTING

#### NORMALLY CLOSED



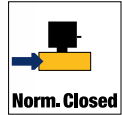
Port size	Orifice Ø	Flow factors			Seat Seal	Atex Zone	Operating Pressure Differential		Fluid Temp.		Power	Voltage	Solenoid Valve Order Number		
		Kv l/min	KV m³/h	Qn l/min			Min bar	Max bar	Min °C	Max °C				W	
3/8"	13	50	3.00	-	EPDM	-	0.1	10	-10	140	8	220-230V/50Hz	550037DIS		
							0.1	10	-10	140	9	24 Vdc	550036DIS		
							0.1	20	-10	90	8	220-230V/50Hz	550039DIS		
							0.1	20	-10	90	9	24 Vdc	550038DIS		
							0.1	20	-10	140	8	220-230V/50Hz	550041DIS		
					FKM		2-22	0.1	20	-10	140	9	24 Vdc	550040DIS	
								0.1	20	-10	50	8	220-230V/50Hz	550176DIS	
								0.1	20	-10	50	9	24 Vdc	550175DIS	
								1-21	0.1	20	-10	80	8	230V/50Hz	550136DIS
									0.1	20	-10	80	8	24 Vdc	550135DIS

Fast Delivery

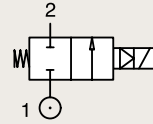


# 2/2

## VALVES FOR WATER PILOT OPERATED



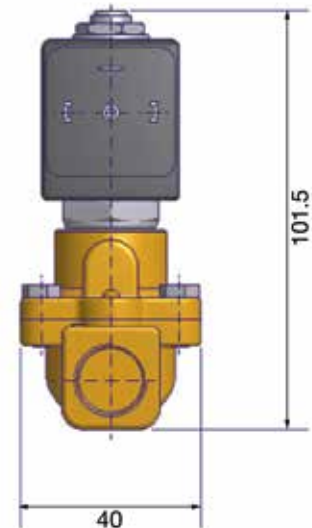
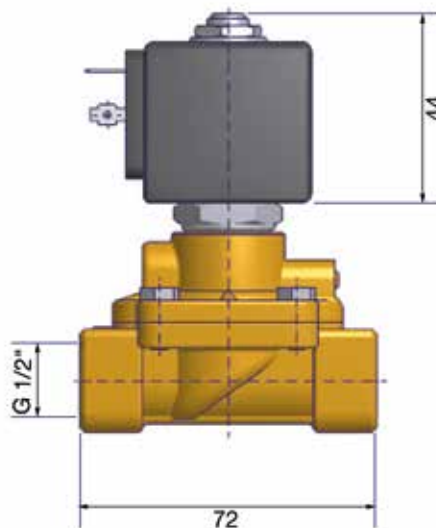
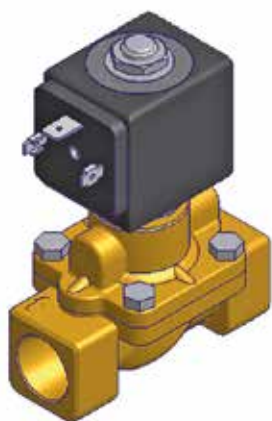
### BRASS PIPE MOUNTING NORMALLY CLOSED



Port size BSP	Orifice Ø mm	Flow factors			Seat Seal	Atex Zone	Operating Pressure Differential		Fluid Temp.		Power W	Voltage	Solenoid Valve Order Number	
		Kv l/min	KV m³/h	Qn l/min			Min bar	Max bar	Min °C	Max °C				
1/2"	13	50	3.00	-	EPDM	-	0.1	10	-10	140	8	220-230V/50Hz	550019DIS	
							0.1	10	-10	140	9	24 Vdc	550018DIS	
							0.1	20	-10	90	8	220-230V/50Hz	550021DIS	
							0.1	20	-10	90	9	24 Vdc	550020DIS	
					FKM		2-22	0.1	20	-10	140	8	220-230V/50Hz	550025DIS
								0.1	20	-10	140	9	24 Vdc	550024DIS
							1-21	0.1	20	-10	50	8	220-230V/50Hz	550160DIS
								0.1	20	-10	50	9	24 Vdc	550159DIS
						0.1	20	-10	80	8	230V/50Hz	550120DIS		
						0.1	20	-10	80	8	24 Vdc	550119DIS		

ATEX

Fast Delivery

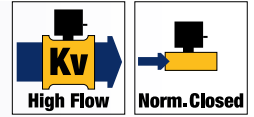


2 WAY VALVES

Water

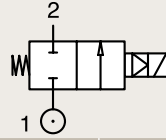
# 2/2

## VALVES FOR WATER PILOT OPERATED



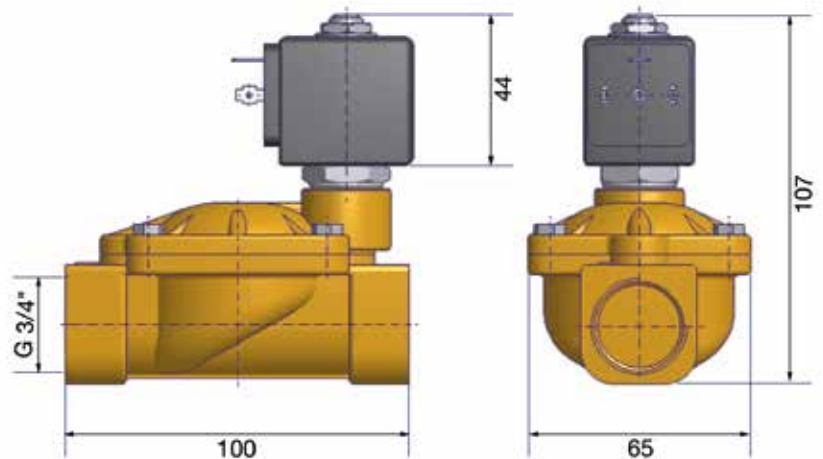
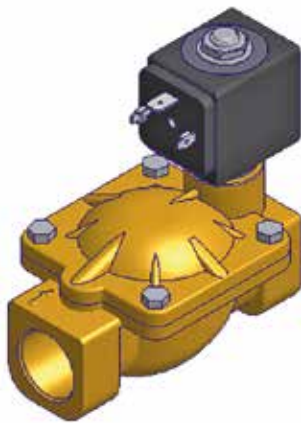
BRASS  
PIPE MOUNTING

**NORMALLY CLOSED**



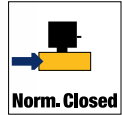
Port size	Orifice Ø	Flow factors		Seat Seal	Atex Zone	Operating Pressure Differential		Fluid Temp.		Power	Voltage	Solenoid Valve Order Number
		Kv l/min	KV m³/h			Min bar	Max bar	Min °C	Max °C			
3/4"	20	140	8.40	EPDM	-	0.1	10	-10	140	8	220-230V/50Hz	550027DIS
						0.1	10	-10	140	9	24 Vdc	550026DIS
						0.1	20	-10	90	8	220-230V/50Hz	550198DIS
						0.1	20	-10	90	9	24 Vdc	550197DIS
						0.1	20	-10	140	8	220-230V/50Hz	550200DIS
						0.1	20	-10	140	9	24 Vdc	550199DIS
				FKM	2-22	0.1	20	-10	65	8	220-230V/50Hz	550212DIS
						0.1	20	-10	65	9	24 Vdc	550211DIS
					1-21	0.1	20	-10	80	8	230V/50Hz	550202DIS
						0.1	20	-10	80	8	24 Vdc	550201DIS

Fast Delivery

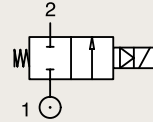


# 2/2

## VALVES FOR WATER PILOT OPERATED



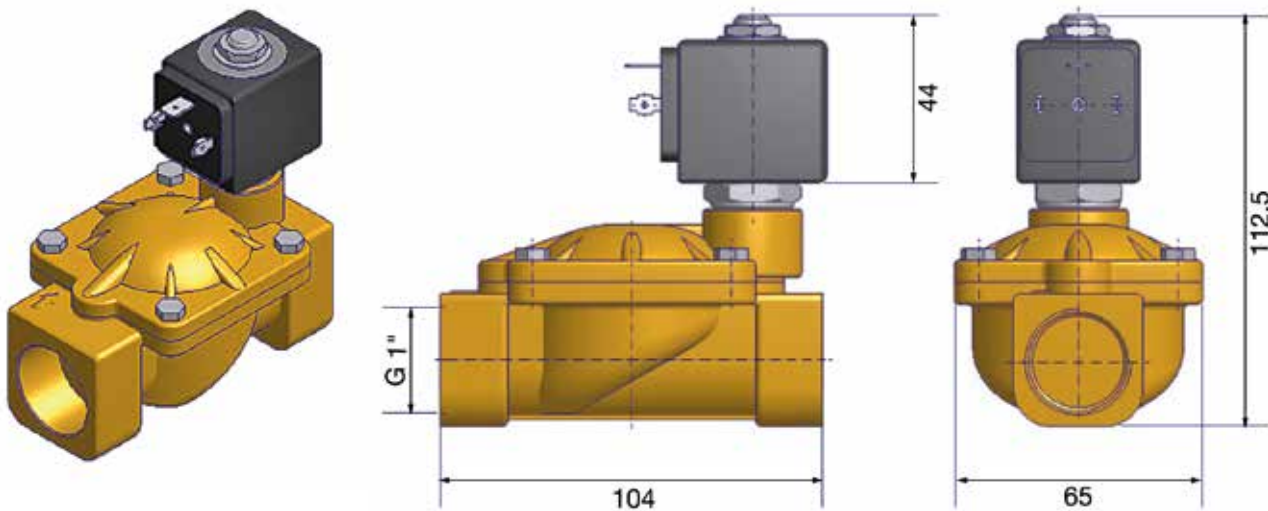
### BRASS PIPE MOUNTING NORMALLY CLOSED



Port size	Orifice Ø	Flow factors			Seat Seal	Atex Zone	Operating Pressure Differential		Fluid Temp.		Power	Voltage	Solenoid Valve Order Number
		Kv l/min	KV m³/h	Qn l/min			Min bar	Max bar	Min °C	Max °C			
1"	25	160	9.60	-	EPDM	-	0.1	10	-10	140	8	220-230V/50Hz	550029DIS
							0.1	10	-10	140	9	24 Vdc	550028DIS
							0.1	20	-10	90	8	220-230V/50Hz	550031DIS
							0.1	20	-10	90	9	24 Vdc	550030DIS
					FKM	2-22	0.1	20	-10	140	8	220-230V/50Hz	550204DIS
							0.1	20	-10	140	9	24 Vdc	550203DIS
						1-21	0.1	20	-10	50	8	220-230V/50Hz	550214DIS
							0.1	20	-10	50	9	24 Vdc	550213DIS
						0.1	20	-10	80	8	230V/50Hz	550206DIS	
						0.1	20	-10	80	8	24 Vdc	550205DIS	

⚡: Fast Delivery  
ATEX

⚡: Fast Delivery



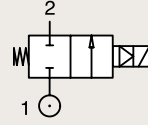
# 2/2

## VALVES FOR WATER PILOT OPERATED



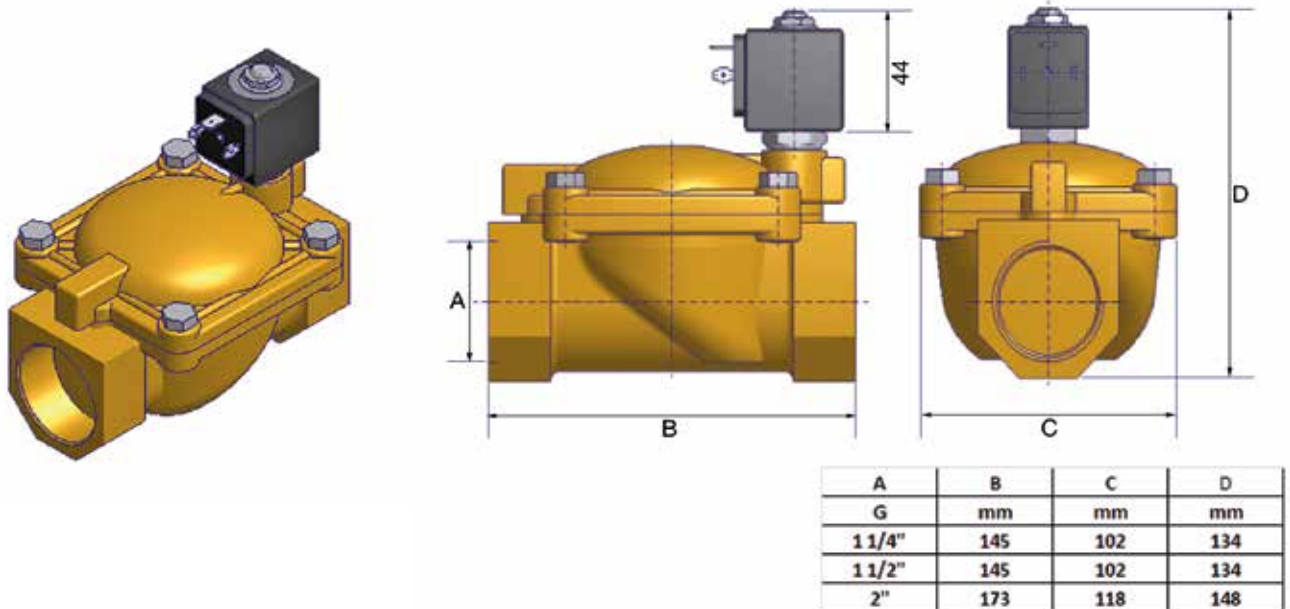
### BRASS PIPE MOUNTING

#### NORMALLY CLOSED



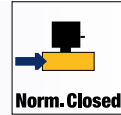
Port size	Orifice Ø	Flow factors			Seat Seal	Atex Zone	Operating Pressure Differential		Fluid Temp.		Power	Voltage	Solenoid Valve Order Number
		Kv l/min	KV m³/h	Qn l/min			Min bar	Max bar	Min °C	Max °C			
1 1/4"	35	420	25.20	-	EPDM	-	0.1	10	-10	140	8	220-230V/50Hz	550208DIS
							0.1	10	-10	140	9	24 Vdc	550207DIS
							0.1	10	-10	90	8	220-230V/50Hz	550033DIS
							0.1	10	-10	90	9	24 Vdc	550032DIS
1 1/2"	40	500	30.00	-	EPDM	-	0.1	10	-10	140	8	220-230V/50Hz	550210DIS
							0.1	10	-10	140	9	24 Vdc	550209DIS
							0.1	10	-10	90	8	220-230V/50Hz	550035DIS
							0.1	10	-10	90	9	24 Vdc	550034DIS
2"	50	620	37.20	-	EPDM	-	0.1	10	-10	140	8	220-230V/50Hz	550218DIS
							0.1	10	-10	140	9	24 Vdc	550217DIS
							0.1	10	-10	90	8	220-230V/50Hz	550216DIS
							0.1	10	-10	90	9	24 Vdc	550215DIS

Fast Delivery



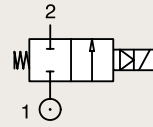
# 2/2

## VALVES FOR WATER PILOT OPERATED



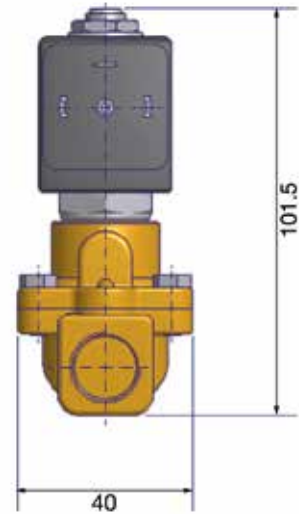
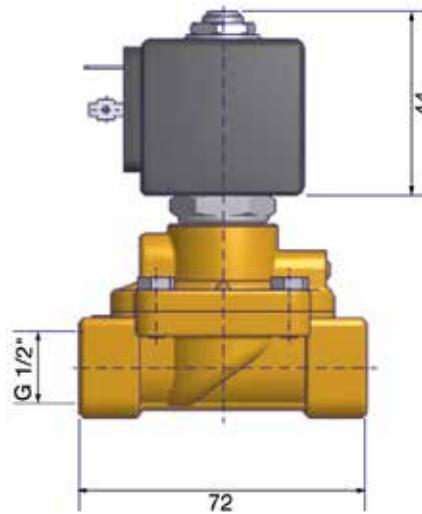
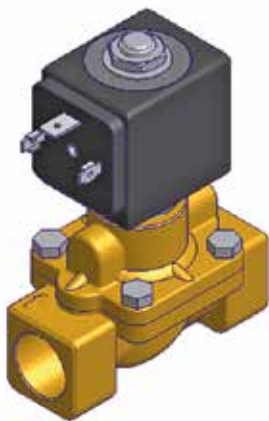
BRASS  
PIPE MOUNTING

**NORMALLY CLOSED**



Port size	Orifice Ø	Flow factors			Seat Seal	Atex Zone	Operating Pressure Differential		Fluid Temp.		Power	Voltage	Solenoid Valve Order Number
		Kv l/min	KV m³/h	Qn l/min			Min bar	Max bar	Min °C	Max °C			
1/2"	13	50	3.00	-	NBR	-	0.1	20	-10	90	8	220-230V/50Hz	550023DIS
							0.1	20	-10	90	9	24 Vdc	550022DIS

Fast Delivery

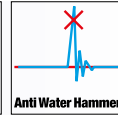
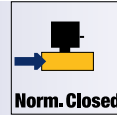


2 WAY VALVES

Water

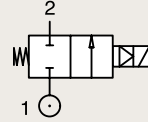
# 2/2

## VALVES FOR WATER PILOT OPERATED



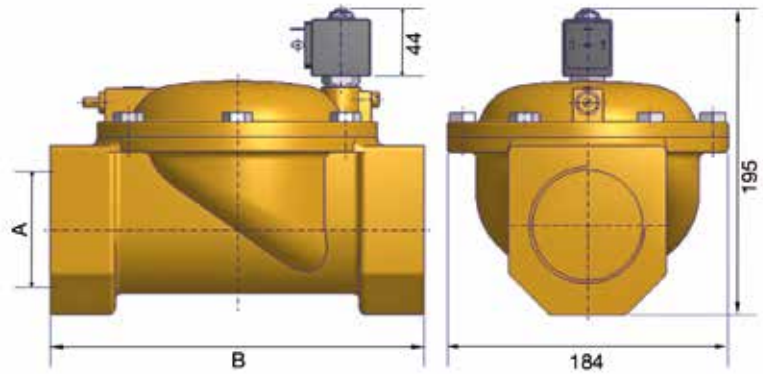
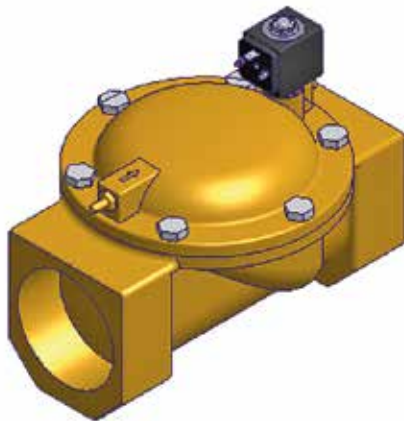
### BRASS PIPE MOUNTING

#### NORMALLY CLOSED



Port size	Orifice Ø	Flow factors			Seat Seal	Atex Zone	Operating Pressure Differential		Fluid Temp.		Power	Voltage	Solenoid Valve Order Number
		Kv l/min	KV m³/h	Qn l/min			Min bar	Max bar	Min °C	Max °C			
2 1/2"	65	1100	66.00	-	NBR	-	0.2	10	-10	90	8	220-230V/50Hz	550043DIS
							0.2	10	-10	90	9	24 Vdc	550042DIS
3"	75	1334	80.00	-	NBR	-	0.2	10	-10	90	8	220-230V/50Hz	550045DIS
							0.2	10	-10	90	9	24 Vdc	550044DIS

Fast Delivery

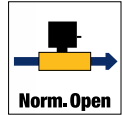


A	B
G	mm
2 1/2"	245
3"	250

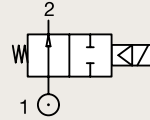


# 2/2

## VALVES FOR WATER PILOT OPERATED

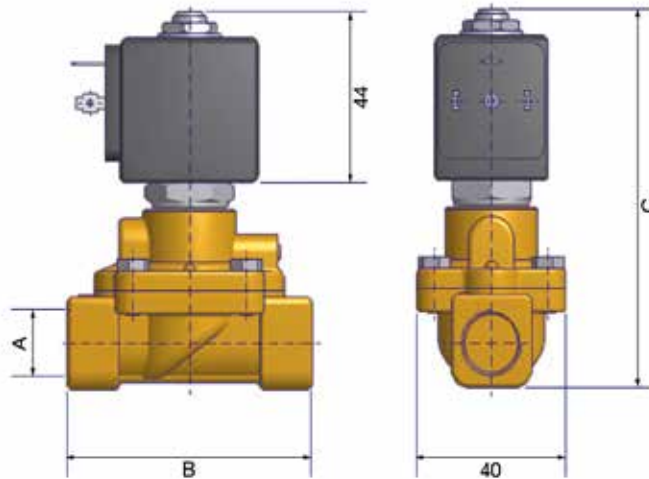
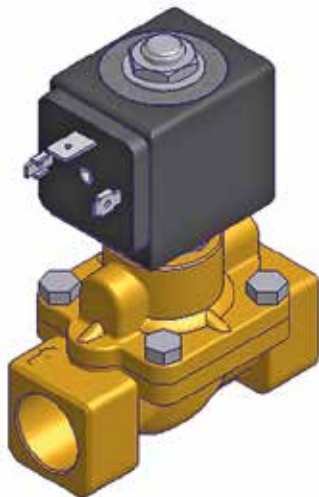


### BRASS PIPE MOUNTING NORMALLY OPEN



Port size	Orifice Ø	Flow factors			Seat Seal	Atex Zone	Operating Pressure Differential		Fluid Temp.		Power	Voltage	Solenoid Valve Order Number
		Kv l/min	KV m³/h	Qn l/min			Min bar	Max bar	Min °C	Max °C			
3/8"	13	50	3.00	-	NBR	-	0.1	20	-10	90	8	220-230V/50Hz	550057DIS
							0.1	20	-10	90	9	24 Vdc	550056DIS
						2-22	0.1	20	-10	50	8	220-230V/50Hz	550192DIS
							0.1	20	-10	50	9	24 Vdc	550191DIS
						1-21	0.1	20	-10	80	8	230V/50Hz	550152DIS
							0.1	20	-10	80	8	24 Vdc	550151DIS
1/2"	13	50	3.00	-	NBR	-	0.1	20	-10	90	8	220-230V/50Hz	550047DIS
							0.1	20	-10	90	9	24 Vdc	550046DIS
						2-22	0.1	20	-10	50	8	220-230V/50Hz	550182DIS
							0.1	20	-10	50	9	24 Vdc	550181DIS
						1-21	0.1	20	-10	80	8	230V/50Hz	550142DIS
							0.1	20	-10	80	8	24 Vdc	550141DIS

Fast Delivery



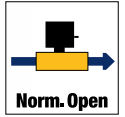
A	B	C
G	mm	mm
3/8"	69	99.5
1/2"	72	101.5

2 WAY VALVES

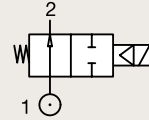
Water

# 2/2

## VALVES FOR WATER PILOT OPERATED

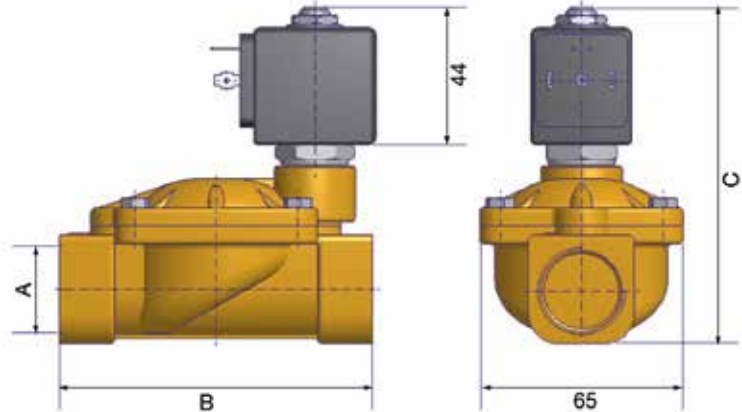
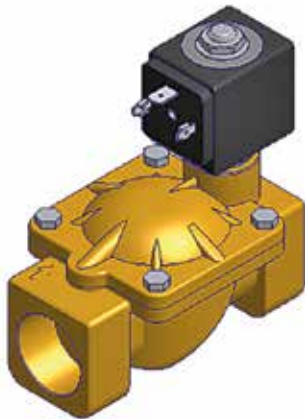


### BRASS PIPE MOUNTING NORMALLY OPEN



Port size	Orifice Ø	Flow factors			Seat Seal	Atex Zone	Operating Pressure Differential		Fluid Temp.		Power	Voltage	Solenoid Valve Order Number
		Kv l/min	KV m³/h	Qn l/min			Min bar	Max bar	Min °C	Max °C			
3/4"	20	140	8.40	-	NBR	-	0.1	20	-10	90	8	220-230V/50Hz	550049DIS
							0.1	20	-10	90	9	24 Vdc	550048DIS
							0.1	20	-10	50	8	220-230V/50Hz	550184DIS
							0.1	20	-10	50	9	24 Vdc	550183DIS
						1-21	0.1	20	-10	80	8	230V/50Hz	550144DIS
							0.1	20	-10	80	8	24 Vdc	550143DIS
							0.1	20	-10	90	8	220-230V/50Hz	550051DIS
							0.1	20	-10	90	9	24 Vdc	550050DIS
1"	25	160	9.60	-	NBR	2-22	0.1	20	-10	50	8	220-230V/50Hz	550186DIS
							0.1	20	-10	50	9	24 Vdc	550185DIS
							0.1	20	-10	80	8	230V/50Hz	550146DIS
							0.1	20	-10	80	8	24 Vdc	550145DIS

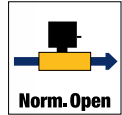
Fast Delivery



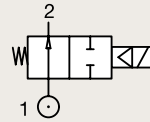
A	B	C
G	mm	mm
3/4"	100	107
1"	104	112.5

# 2/2

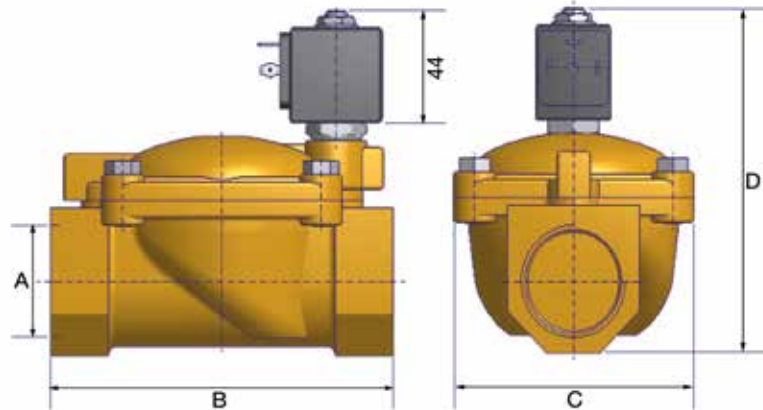
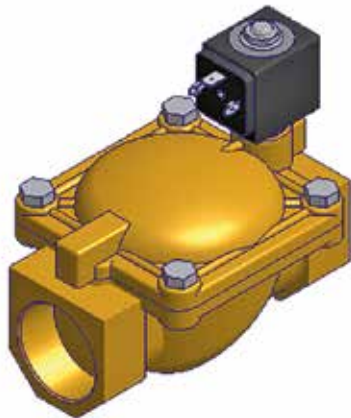
## VALVES FOR WATER PILOT OPERATED



### BRASS PIPE MOUNTING NORMALLY OPEN



Port size	Orifice Ø	Flow factors			Seat Seal	Atex Zone	Operating Pressure Differential		Fluid Temp.		Power	Voltage	Solenoid Valve Order Number	
		Kv l/min	KV m³/h	Qn l/min			Min bar	Max bar	Min °C	Max °C				W
1 1/2"	40	500	30.00	-	NBR	-	0.1	10	-10	90	8	220-230V/50Hz	550053DIS	
							0.1	10	-10	90	9	24 Vdc	550052DIS	
							2-22	0.1	10	-10	50	8	220-230V/50Hz	550188DIS
								0.1	10	-10	50	9	24 Vdc	550187DIS
							1-21	0.1	10	-10	80	8	230V/50Hz	550148DIS
								0.1	10	-10	80	8	24 Vdc	550147DIS
2"	50	620	37.20	-	NBR	-	0.1	10	-10	90	8	220-230V/50Hz	550055DIS	
							0.1	10	-10	90	9	24 Vdc	550054DIS	
							2-22	0.1	10	-10	50	8	220-230V/50Hz	550190DIS
								0.1	10	-10	50	9	24 Vdc	550189DIS
							1-21	0.1	10	-10	80	8	230V/50Hz	550150DIS
								0.1	10	-10	80	8	24 Vdc	550149DIS



A	B	C	D
G	mm	mm	mm
1 1/2"	145	102	134
2"	173	118	148

Fast Delivery

# ARA<sup>®</sup>

## PNEUMATIK

53-012 Wrocław tel. 71 364 72 82  
ul. Wyścigowa 38 fax 71 364 72 83

[www.arapneumatik.pl](http://www.arapneumatik.pl)



2 WAY VALVES

Water