

# Stainless Steel Non-Return Valves

Stainless steel non-return valves are ideally suited to **harsh environments** and for conveying **many industrial fluids**. These products allow fluids to flow in one direction and prevent them from flowing in the other.

## Product Advantages

**Demanding Environments** | Robust design  
 Suitable for use with many chemicals or in corrosive environments  
 Compatible with many fluids

**Compact & Versatile** | Reduced dimensions  
 Smooth external surfaces contribute to equipment cleanliness  
 Flow direction symbol protects against incorrect installation  
 Hexagonal body to facilitate installation



Pneumatics  
 Machine Tools  
 Food Process  
 Printing  
 Chemical  
 Textile  
 Automotive Process

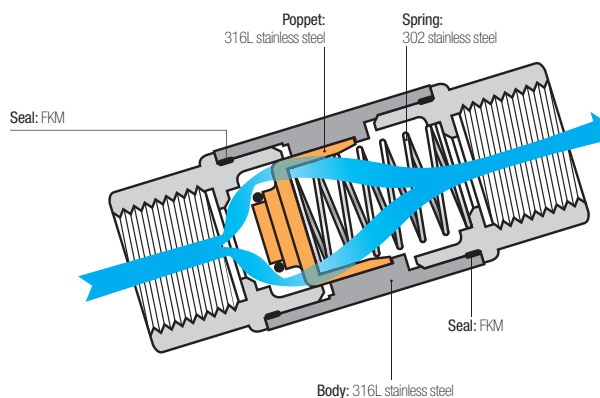
Applications

## Technical Characteristics

|                            |                 |
|----------------------------|-----------------|
| <b>Compatible Fluids</b>   | Many fluids     |
| <b>Working Pressure</b>    | 0.5 to 40 bar   |
| <b>Working Temperature</b> | -20°C to +180°C |

| <b>Flow Characteristics</b> | Threads  | NI/min | Kv   |
|-----------------------------|----------|--------|------|
|                             | G1/8     | 18.88  | 1.60 |
|                             | G1/4     | 19.91  | 1.69 |
|                             | G3/8     | 35.54  | 3.01 |
|                             | G1/2     | 36.50  | 3.10 |
|                             | G3/4     | 65.86  | 5.59 |
| G1                          | 92.60    | 7.86   |      |
| <b>Cracking Pressure</b>    | 0.25 bar |        |      |

### Component Materials



**Silicone-free**

### Regulations

DI: 2002/95/EC (RoHS)  
 RG: 1907/2006 (REACH)  
 DI: 97/23/EC (PED)

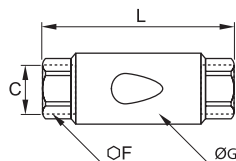


# Stainless Steel Non-Return Valves

## 4890 Non-Return Valve, Female BSPP Thread



Stainless steel 316L, FKM

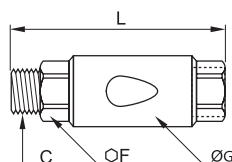


| C    | DN |                            | F  | G  | L  | Kg    |
|------|----|----------------------------|----|----|----|-------|
| G1/8 | 10 | <a href="#">4890 10 10</a> | 17 | 22 | 50 | 0.082 |
| G1/4 | 10 | <a href="#">4890 13 13</a> | 17 | 22 | 50 | 0.074 |
| G3/8 | 15 | <a href="#">4890 17 17</a> | 22 | 30 | 67 | 0.182 |
| G1/2 | 15 | <a href="#">4890 21 21</a> | 24 | 30 | 71 | 0.183 |
| G3/4 | 20 | <a href="#">4890 27 27</a> | 32 | 42 | 84 | 0.289 |
| G1   | 25 | <a href="#">4890 34 34</a> | 38 | 42 | 90 | 0.420 |

## 4891 Non-Return Valve, Supply, Male BSPP Thread/Exhaust, Female BSPP Thread



Stainless steel 316L, FKM

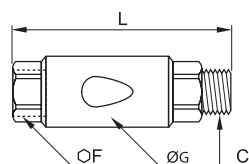


| C    | DN |                            | F  | G  | L   | Kg    |
|------|----|----------------------------|----|----|-----|-------|
| G1/8 | 10 | <a href="#">4891 10 10</a> | 17 | 22 | 56  | 0.100 |
| G1/4 | 10 | <a href="#">4891 13 13</a> | 17 | 22 | 58  | 0.082 |
| G3/8 | 15 | <a href="#">4891 17 17</a> | 22 | 30 | 75  | 0.191 |
| G1/2 | 15 | <a href="#">4891 21 21</a> | 24 | 30 | 79  | 0.210 |
| G3/4 | 20 | <a href="#">4891 27 27</a> | 32 | 42 | 84  | 0.300 |
| G1   | 25 | <a href="#">4891 34 34</a> | 38 | 42 | 102 | 0.519 |

## 4892 Non-Return Valve, Supply, Female BSPP Thread/Exhaust, Male BSPP Thread



Stainless steel 316L, FKM

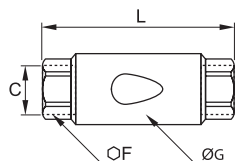


| C    | DN |                            | F  | G  | L   | Kg    |
|------|----|----------------------------|----|----|-----|-------|
| G1/8 | 10 | <a href="#">4892 10 10</a> | 17 | 22 | 56  | 0.100 |
| G1/4 | 10 | <a href="#">4892 13 13</a> | 17 | 22 | 58  | 0.082 |
| G3/8 | 15 | <a href="#">4892 17 17</a> | 22 | 30 | 75  | 0.192 |
| G1/2 | 15 | <a href="#">4892 21 21</a> | 24 | 30 | 79  | 0.211 |
| G3/4 | 20 | <a href="#">4892 27 27</a> | 32 | 42 | 84  | 0.300 |
| G1   | 25 | <a href="#">4892 34 34</a> | 38 | 42 | 102 | 0.519 |

## 4895 Non-Return Valve, Female NPT Thread



Stainless steel 316L, FKM



| C      | DN |                            | F  | G  | L  | Kg    |
|--------|----|----------------------------|----|----|----|-------|
| NPT1/8 | 10 | <a href="#">4895 11 11</a> | 17 | 22 | 50 | 0.083 |
| NPT1/4 | 10 | <a href="#">4895 14 14</a> | 17 | 22 | 54 | 0.079 |
| NPT3/8 | 15 | <a href="#">4895 18 18</a> | 22 | 30 | 67 | 0.197 |
| NPT1/2 | 15 | <a href="#">4895 22 22</a> | 24 | 30 | 77 | 0.196 |

# ARA<sup>®</sup>

PNEUMATIK

53-012 Wrocław tel. 71 364 72 82  
ul. Wysięgowa 38 fax 71 364 72 83

www.arapneumatik.pl

